



Illustrated Parts Manual

Models
330CRT
400CRT

P/N
3121805

October 16, 2013



An Oshkosh Corporation Company

REVISION LOG

April 15, 2000 - Original Issue Of Manual (Edited to 0010562 Revision 3)
August 7, 2000 - Revised Manual (Revised to B/M 0010562 Revision 8)
December 18, 2000 - Revised Manual (Revised to B/M 0010562 Revision 14)
March 31, 2002 - Revised Manual (Revised to B/M 0010562 Revision 22)
August 1, 2002 - Revised Manual (Revised to B/M 0010562 Revision 22)
April 15, 2003 - Revised Manual (Revised to B/M 0010562 Revision 25)
August 1, 2003 - Revised Manual (Revised to B/M 0010562 Revision 25)
December 7, 2006 - Revised Manual
May 2, 2011 - Revised Manual
October 16, 2013 - Revised Manual

TABLE OF CONTENTS

SECTION 1 - FRAME.....	7
FIGURE 1-1. FRAME AND STEERING INSTALLATION	8
FIGURE 1-2. OSCILLATING REAR AXLE INSTALLATION.....	10
FIGURE 1-3. WHEEL DRIVE INSTALLATION.....	12
FIGURE 1-4. FRONT DRIVE MOTOR ASSEMBLY - 330CRT.....	14
FIGURE 1-5. REAR DRIVE MOTOR WITH BRAKE ASSEMBLY - 330CRT (Prior to SN 82626).....	16
FIGURE 1-6. REAR DRIVE MOTOR WITH BRAKE ASSEMBLY - 330CRT (SN 82626 to Present)	18
FIGURE 1-7. FRONT/REAR DRIVE MOTOR WITH BRAKE ASSEMBLY - 400CRT.....	22
FIGURE 1-8. DIESEL ENGINE INSTALLATION - KUBOTA	26
FIGURE 1-9. PISTON PUMP ASSEMBLY (PRODUCTION).....	30
FIGURE 1-10. PISTON PUMP ASSEMBLY (POST PRODUCTION).....	34
FIGURE 1-11. FRAME MOUNTED COMPONENTS INSTALLATION	38
FIGURE 1-12. FRAME COVERS AND LADDERS INSTALLATION.....	40
FIGURE 1-13. LEVELING JACKS INSTALLATION.....	44
SECTION 2 - GROUND COMPONENTS.....	47
FIGURE 2-1. RIGHT SIDE COMPARTMENT INSTALLATIONS.....	48
FIGURE 2-2. MAIN CONTROL VALVE ASSEMBLY.....	52
FIGURE 2-3. FLOW DIVIDER VALVE ASSEMBLY	54
FIGURE 2-4. GROUND CONTROL BOX ASSEMBLY.....	56
FIGURE 2-5. FUEL COMPARTMENT INSTALLATION	58
SECTION 3 - SCISSOR ARMS.....	61
FIGURE 3-1. SCISSOR ARMS INSTALLATION - 330CRT.....	62
FIGURE 3-2. SCISSOR ARMS INSTALLATION - 400CRT.....	66
FIGURE 3-3. ARM GUARDS INSTALLATION	70
SECTION 4 - PLATFORM.....	73
FIGURE 4-1. PLATFORM AND ACCESSORIES INSTALLATION.....	74
FIGURE 4-2. FOLDDOWN HANDRAILS AND EXTENSION INSTALLATION (MANUALLY OPERATED PLATFORM)	76
FIGURE 4-3. PLATFORM CONSOLE BOX ASSEMBLY	80
FIGURE 4-4. DRIVE/STEER CONTROLLER ASSEMBLY (PRODUCTION).....	84
FIGURE 4-5. DRIVE/STEER J.R. MERRITT CONTROLLER ASSEMBLY (POST PRODUCTION)	86
SECTION 5 - CYLINDERS.....	89
FIGURE 5-1. AXLE LOCKOUT CYLINDER ASSEMBLY	90
FIGURE 5-2. LEVELING JACK CYLINDERS ASSEMBLY (Prior to SN 104829).....	92
FIGURE 5-3. LEVELING JACK CYLINDER ASSEMBLY (SN 104829 to Present)	94
FIGURE 5-4. LIFT CYLINDER COMPONENTS ASSEMBLY - 330CRT	96
FIGURE 5-5. LIFT CYLINDER COMPONENTS ASSEMBLY - 400CRT	98
FIGURE 5-6. STEER CYLINDER ASSEMBLY.....	102
SECTION 6 - HYDRAULIC	105
FIGURE 6-1. HYDRAULIC DIAGRAM - 330CRT OSCILLATING AXLE MACHINES.....	106
FIGURE 6-2. HYDRAULIC DIAGRAM - 400CRT OSCILLATING AXLE MACHINES.....	110
FIGURE 6-3. HYDRAULIC DIAGRAM - LEVELING JACKS	114

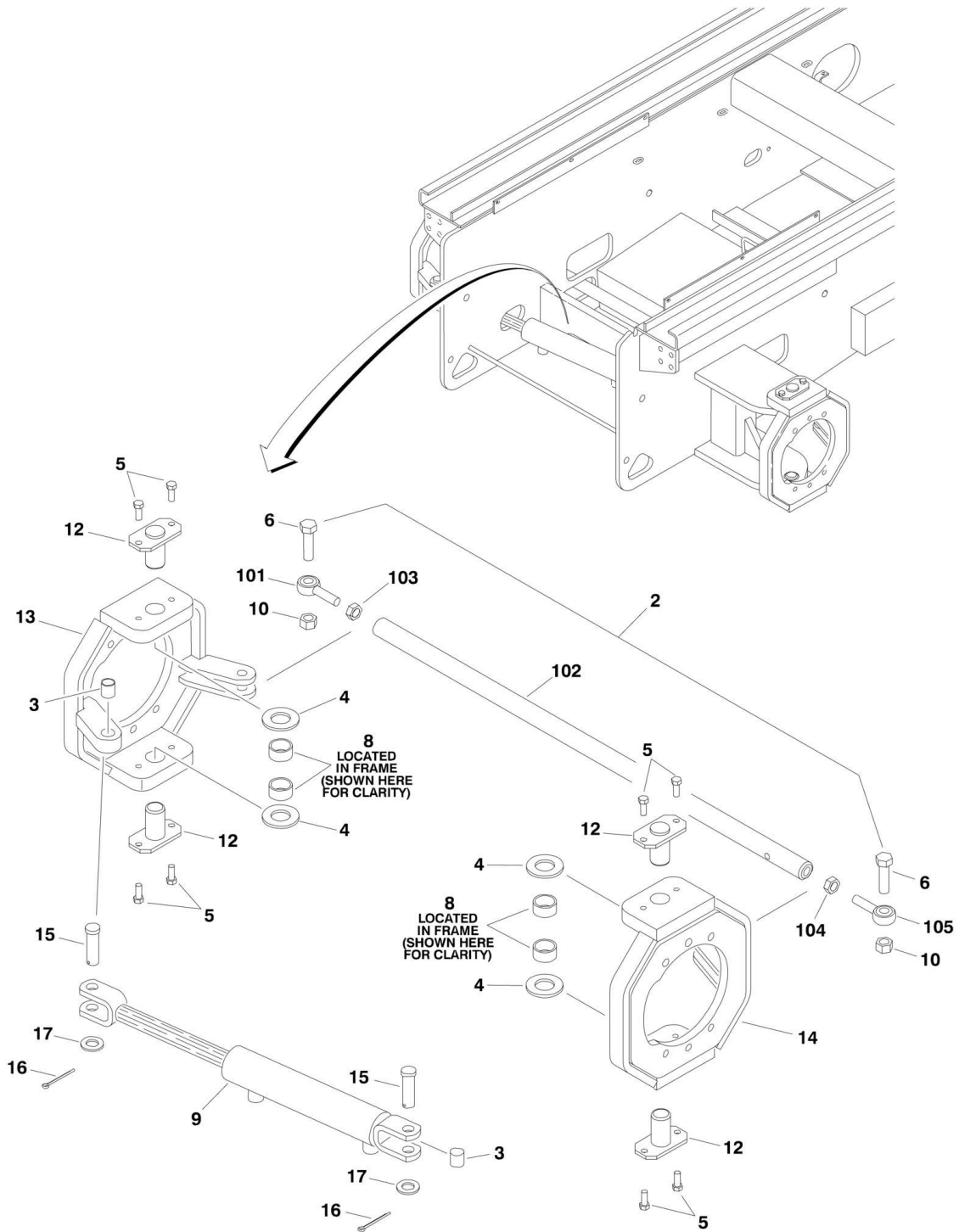
TABLE OF CONTENTS

FIGURE 6-4. HYDRAULIC DIAGRAM LIST.....	116
SECTION 7 - ELECTRICAL.....	117
FIGURE 7-1. ELECTRICAL SCHEMATIC - STANDARD.....	118
FIGURE 7-2. ELECTRICAL COMPONENTS INSTALLATION	120
SECTION 8 - DECALS	127
FIGURE 8-1. DECALS INSTALLATION.....	128
SECTION 9 - RECOMMENDED SERVICE PARTS STOCK.....	133
FIGURE 9-1. MODEL 330/400CRT STANDARD PARTS	134
FIGURE 9-2. MODEL 330/400CRT VARIABLE PARTS	136
SECTION 10 - SPECIAL OPTIONS	137
FIGURE 10-1. SPECIAL OPTIONS	138
PART NUMBER INDEX.....	141

SECTION 1 - FRAME

SECTION 1 - FRAME

FIGURE 1-1. FRAME AND STEERING INSTALLATION



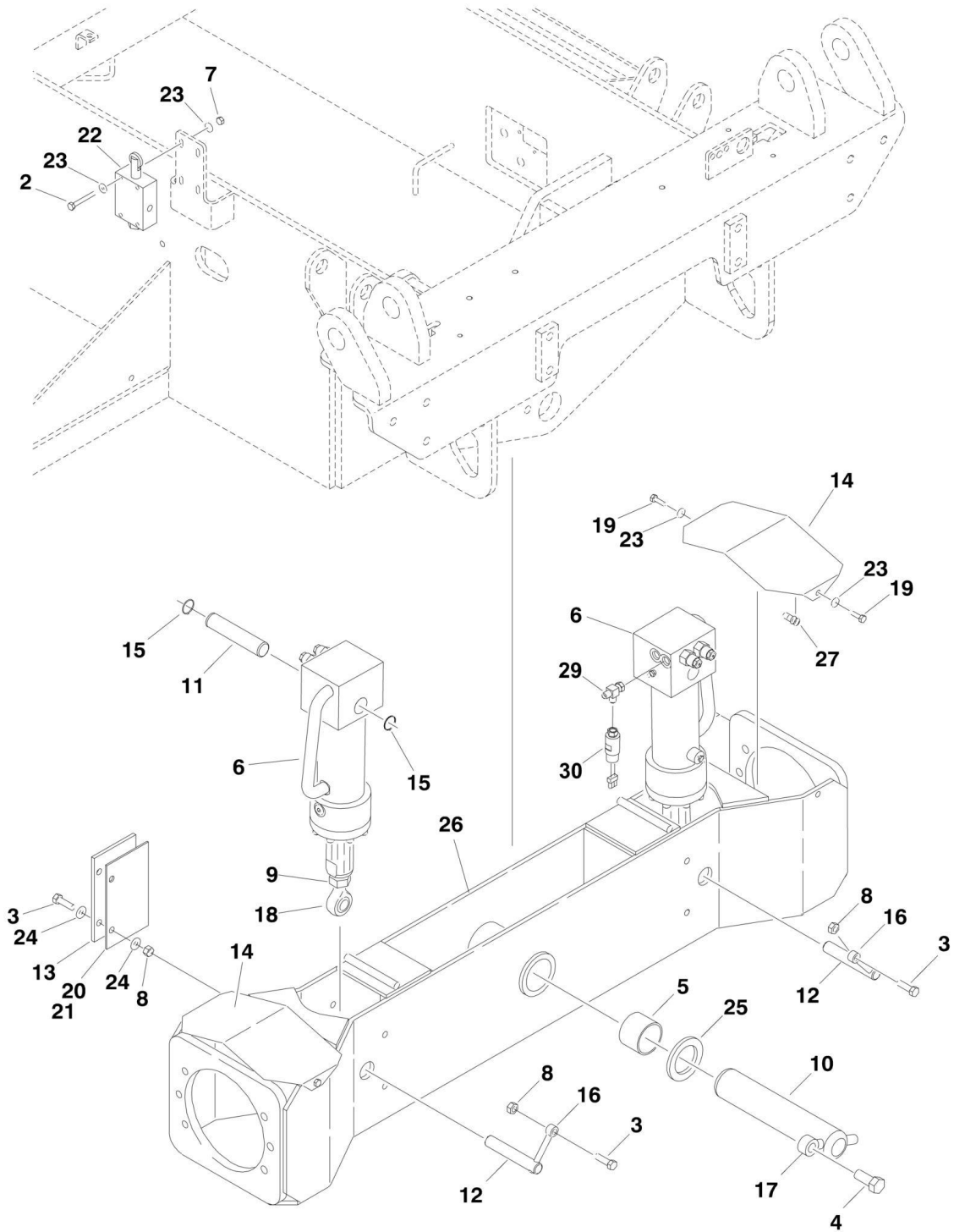
SECTION 1 - FRAME

FIGURE 1-1. FRAME AND STEERING INSTALLATION

ITEM	PART NUMBER	QTY	DESCRIPTION	REV
		Ref	FRAME WELDMENT OPTIONS:	
	2360525	Ref	4WD 330CRT with Oscillating Rear Axle	J
	2360527	Ref	4WD 400CRT with Oscillating Rear Axle	F
	0259337	Ref	STEERING INSTALLATION	E
1	0100011	AR	Loctite #242 (Not Shown)	
2	0259336	1	Tie-Rod Assembly (See Items 101-105 for Breakdown)	
3	0440228	2	Bearing	
4	4740501	4	Bearing, Thrust	
5	0641608	8	Bolt 3/8in-16NC x 1in	
6	0642018	2	Bolt 5/8in-11NC x 2 1/4in	
8	0962257	4	Bushing	
9	1683807	1	Steer Cylinder Assembly (See CYLINDER SECTION for Breakdown)	
10	3312005	2	Locknut 5/8in-11NC	
12	3422803	4	Kingpin	
13	4130367	1	Spindle (Right Side)	
14	4130372	1	Spindle (Left Side)	
15	3431220	2	Pin, Clevis	
16	3450406	2	Pin, Cotter 1/8in x 1 1/2in	
17	4712200	2	Flatwasher 3/4in Narrow	
	0259336	Ref	TIE-ROD ASSEMBLY	C
101	3841146	1	End, Rod (Right Side)	
102	3841432	1	Tie-Rod	
103	3322002	1	Nut, Jam 5/8in- 18NF (Right Hand Thread)	
104	3300409	1	Nut, Jam 5/8in- 18NF (Left Hand Thread)	
105	3841469	1	End, Rod (Left Side)	

SECTION 1 - FRAME

FIGURE 1-2. OSCILLATING REAR AXLE INSTALLATION



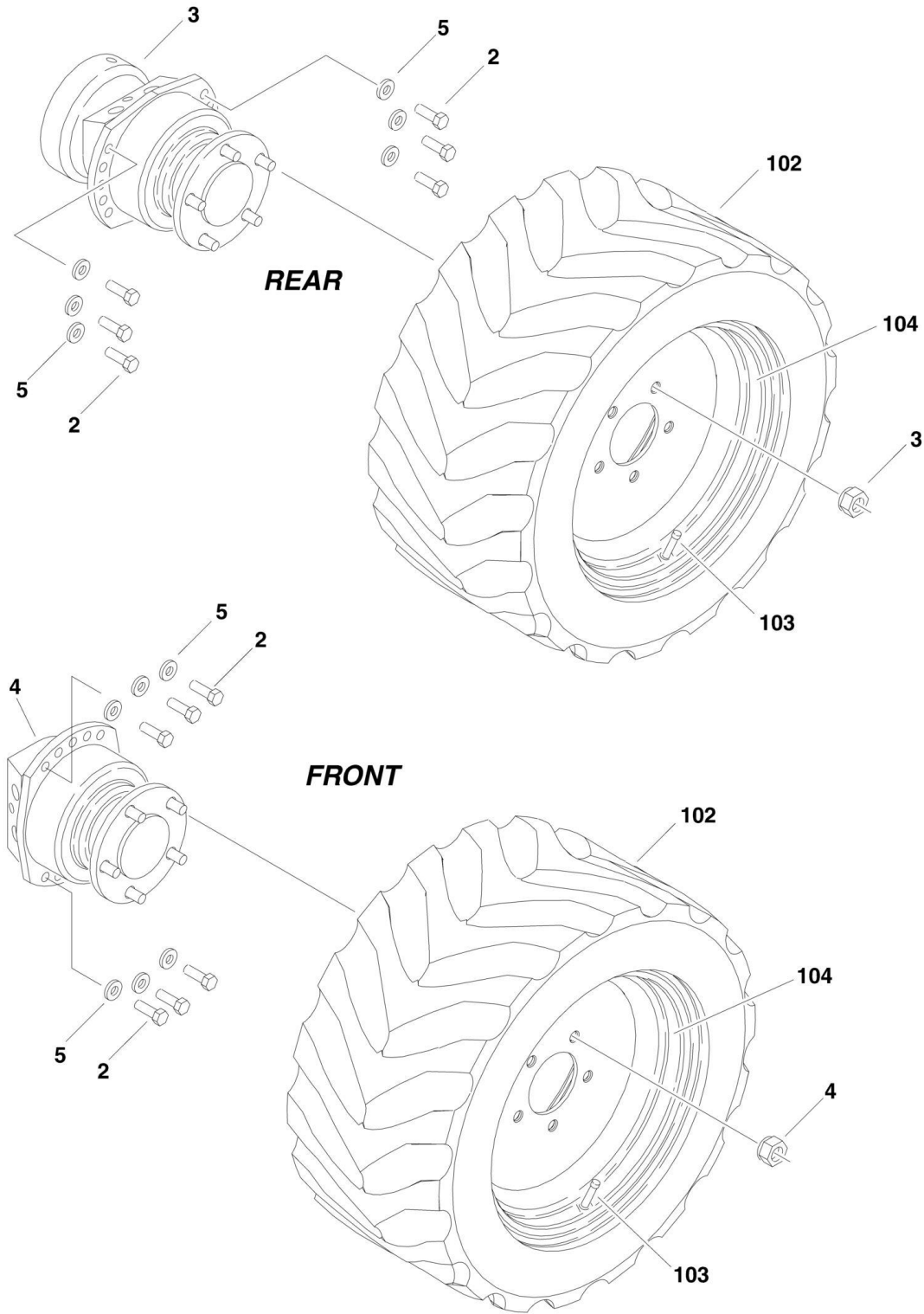
SECTION 1 - FRAME

FIGURE 1-2. OSCILLATING REAR AXLE INSTALLATION

ITEM	PART NUMBER	QTY	DESCRIPTION	REV
		Ref	OSCILLATING AXLE INSTALLATIONS	
	0270742	Ref	CE Spec	A
	0259649	Ref	Australian Spec	F
1	0100011	AR	Loctite #242 (Not Shown)	
2	0641416	4	Bolt 1/4in-20NC x 2in	
3	0641610	6	Bolt 3/8in-16NC x 1 1/4in	
4	0642012	1	Bolt 5/8in-11NC x 1 1/2in	
5	0961950	2	Bushing	
6	1683978	2	Oscillating Axle Cylinder Assembly (See CYLINDER SECTION for Breakdown)	
7	3311405	4	Locknut 1/4in-20NC	
8	3311605	6	Locknut 3/8in-16NC	
9	3322201	2	Nut 3/4in-16NF	
10	3422592	1	Pin, Axle Pivot	
11	3422745	2	Pin, Cylinder (Top)	
12	3422828	2	Pin, Cylinder (Bottom)	
13	3538047	2	Shim	
14	3572029	2	Cover, Axle	
15	3760115	4	Ring, Retaining	
16	3841143	2	Keeper, Pin	
17	3841258	1	Keeper, Pin	
18	3841367	2	End, Rod with Grease Fitting	
19	0641407	4	Bolt 1/4in-20NC x 7/8in	
20	4070878	AR	Shim (.06)	
21	4070879	AR	Shim (.12)	
22	4641143	1	Valve Assembly	
22	7012693	1	Seal Kit - 4641143 Valve	
22	7002840	1	Pin Removal Tool - 4641143 Valve	
23	4711400	12	Flatwasher 1/4in Narrow	
24	4711600	8	Flatwasher 3/8in	
25	4740158	1	Thrustwasher	
26	4846156	1	Axle Weldment	
27	2080059	4	Fastener 1/4in	
28	0100019	AR	Loctite #271 (Not Shown)	
29	2220635	1	Fitting, Tee (CE Only)	
30	4360497	1	Switch, Pressure (CE Only)	
31	4922465	1	Harness, Oscillating Axle Pressure Switch (Not Shown - See ELECTRICAL SECTION for Breakdown) (CE Only)	

SECTION 1 - FRAME

FIGURE 1-3. WHEEL DRIVE INSTALLATION



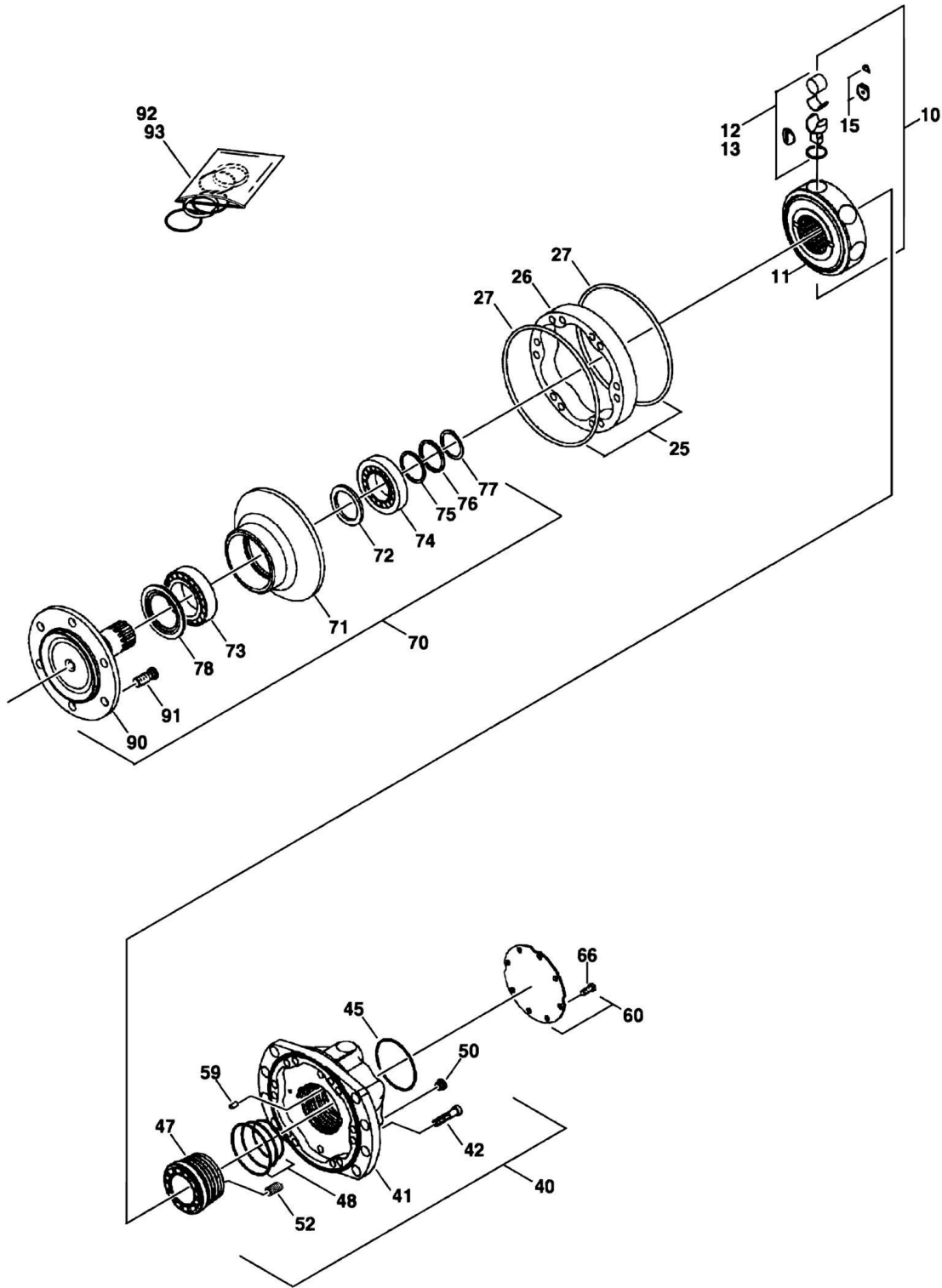
SECTION 1 - FRAME

FIGURE 1-3. WHEEL DRIVE INSTALLATION

ITEM	PART NUMBER	QTY	DESCRIPTION	REV
		Ref	WHEEL DRIVE INSTALLATION	
	0259460	Ref	Wheel Drive Installation 330CRT (4WD with Two Wheel Brakes)	C
	0270351	Ref	Wheel Drive Installation 400CRT (4WD with Four Wheel Brakes)	A
1	0100011	AR	Loctite #242 (Not Shown)	
2	0681812	24	Bolt 1/2in-13NC x 1 1/2in (Grade 8)	
3		Ref	Drive Motor Assembly Options: (Rear)	
3	3160254	2	Drive Motor Assembly - Rear 330CRT (See REAR DRIVE MOTOR WITH BRAKE ASSEMBLY for Breakdown) (Prior to SN 82626)	
3	3160244	2	Drive Motor Assembly - Rear 330CRT (See REAR DRIVE MOTOR WITH BRAKE ASSEMBLY for Breakdown) (SN 82626 to Present)	
3	3160253	2	Drive Motor Assembly - Rear 400CRT (See FRONT/REAR DRIVE MOTOR WITH BRAKE ASSEMBLY for Breakdown)	
4		Ref	Drive Motor Assembly - Front Options:	
4	3160255	2	Drive Motor Assembly - Front 330CRT (See FRONT DRIVE MOTOR ASSEMBLY for Breakdown)	
4	3160253	2	Drive Motor Assembly - Front 400CRT (See FRONT/REAR DRIVE MOTOR WITH BRAKE ASSEMBLY for Breakdown)	
5	4891800	24	Washer, Hardened 1/2in	
		Ref	TIRE AND WHEEL INSTALLATION	
	0259652	Ref	Standard Foam Filled (30.4 x 10.4)	D
		Ref	Tire and Wheel Assembly Options:	
	0270251	AR	30.4 x 10.4 NHS (Right Side) (Foam Filled)	
	0270252	AR	30.4 x 10.4 NHS (Left Side) (Foam Filled)	
102	4520238	AR	Tire - 30.4 x 10.4 NHS	
103	4640113	AR	Valve	
104	4860217	AR	Rim	

SECTION 1 - FRAME

FIGURE 1-4. FRONT DRIVE MOTOR ASSEMBLY - 330CRT



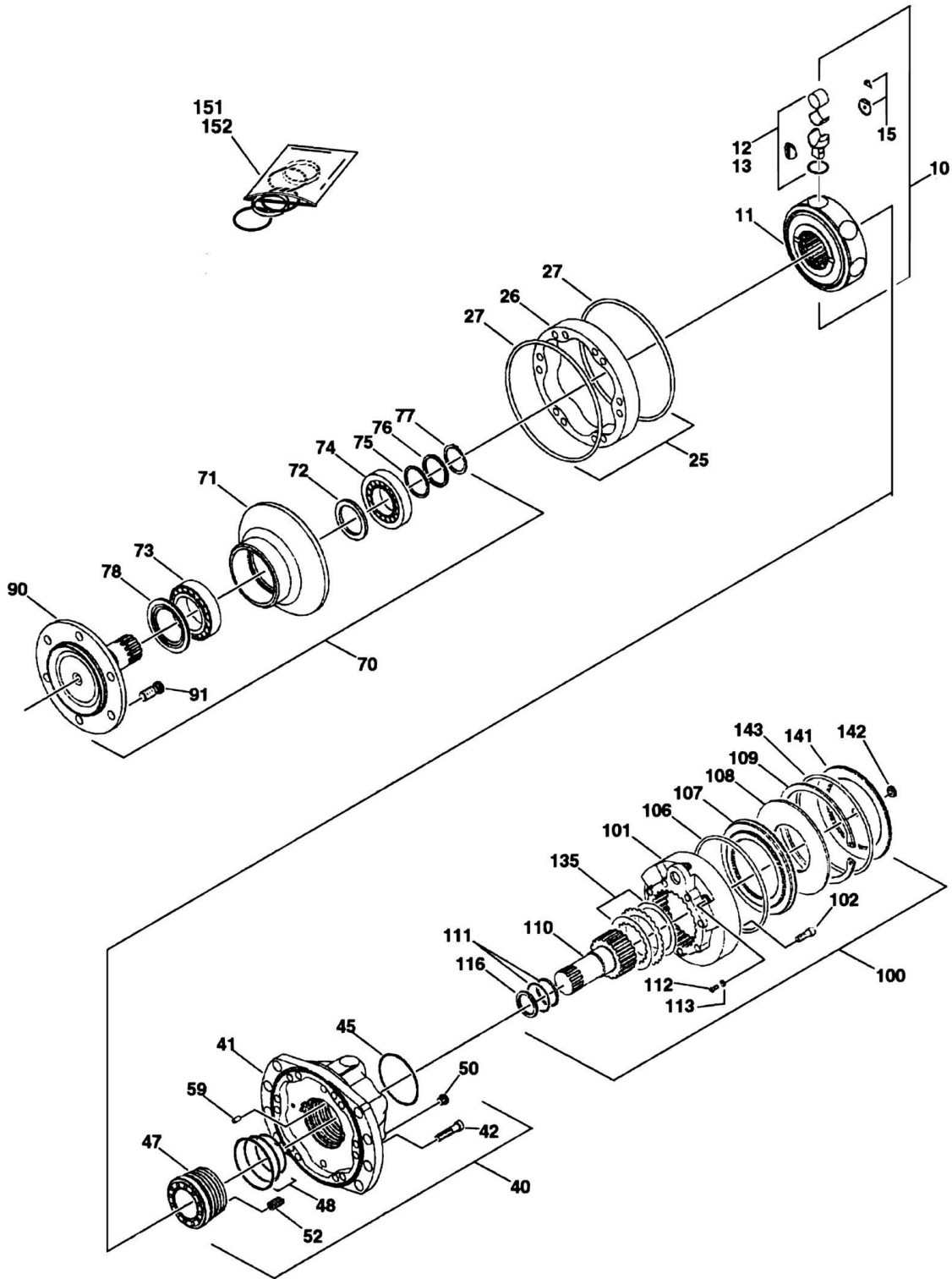
SECTION 1 - FRAME

FIGURE 1-4. FRONT DRIVE MOTOR ASSEMBLY - 330CRT

ITEM	PART NUMBER	QTY	DESCRIPTION	REV
	3160255	Ref	DRIVE MOTOR ASSEMBLY - 330CRT	B
10	7023279	1	Cylinder Block Assembly	
11	Not Serviced	1	Block, Cylinder	
12	7023276	1	Piston	
15	7023278	1	Guide and Keeper Kit	
25	7023280	1	Cam Assembly	
26	Not Serviced	1	Cam	
27	7027888	2	O-Ring (Note: Use Item 92 or 93)	
40	7023281	1	Valving Cover Assembly	
41	Not Serviced	1	Cover, Valving	
42	7023282	6	Bolt	
45	See Note	1	O-Ring (Note: Use Item 92 or 93)	
47	7023283	1	Distributor	
48	Item 93	1	Seal Kit	
50	7023284	1	Plug	
52	7018411	4	Spring	
59	7023286	1	Pin, Split	
60	7023285	1	Back Plate Assembly	
66	7018435	8	Bolt	
70	7023287	1	Support Assembly	
71	Not Serviced	1	Support, Bearing	
72	See Note	1	Seal (Note: Use Item 92 or 93)	
73	7023288	1	Bearing	
74	7023289	1	Bearing	
75	7023302	1	Shim Set	
76	7023290	1	Ring	
77	7023291	1	Ring, Snap	
78	See Note	1	Seal (Note: Use Item 92 or 93)	
90	7023292	1	Shaft	
91	7023303	1	Stud Set (1 Set of 5)	
91	7018436	1	Nut, Wheel (1 Set of 5)	
92	7023300	1	Seal Kit - (Includes Items - 27, 45, 72 & 78)	
93	7023301	1	Seal Kit - (Includes Items - 27, 45, 48, 72 & 78)	

SECTION 1 - FRAME

FIGURE 1-5. REAR DRIVE MOTOR WITH BRAKE ASSEMBLY - 330CRT (Prior to SN 82626)



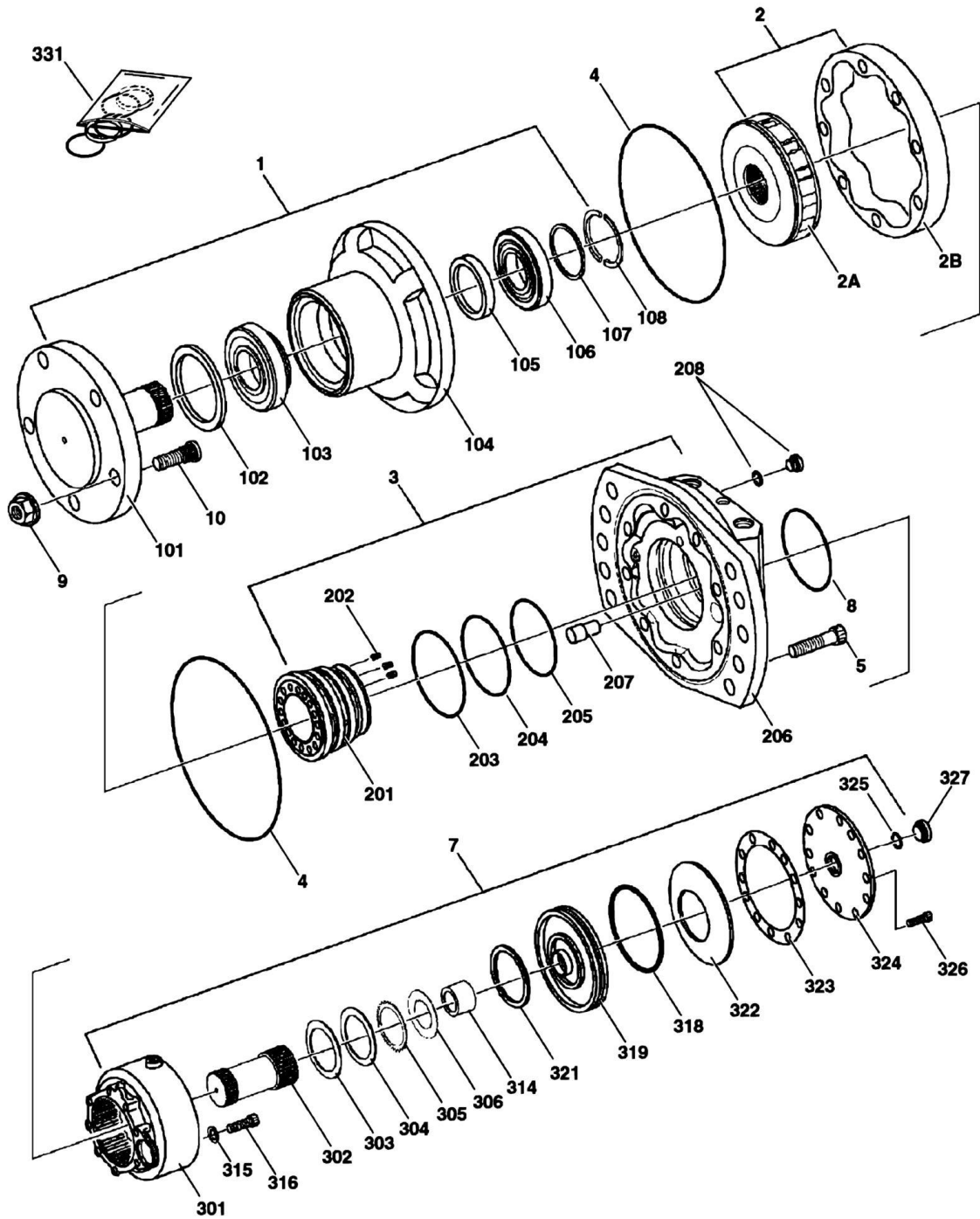
SECTION 1 - FRAME

FIGURE 1-5. REAR DRIVE MOTOR WITH BRAKE ASSEMBLY - 330CRT (Prior to SN 82626)

ITEM	PART NUMBER	QTY	DESCRIPTION	REV
	3160254	Ref	DRIVE MOTOR ASSEMBLY - 330CRT	C
10	7023279	1	Cylinder Block Assembly	
11	Not Serviced	1	Block, Cylinder	
12	7023276	1	Piston	
15	7023278	1	Guide and Keeper Kit	
25	7023280	1	Cam Assembly	
26	Not Serviced	1	Cam	
27	7027888	2	O-Ring (Note: Use Item 151 or 152)	
40	7023281	1	Valving Cover Assembly	
41	Not Serviced	1	Cover, Valving	
42	7023282	6	Bolt	
45	See Note	1	O-Ring (Note: Use Item 151 or 152)	
47	7023283	1	Distributor	
48	Item 152	1	Seal Kit	
50	7023284	1	Plug	
52	7018411	4	Spring	
59	7023286	1	Pin, Split	
70	7023287	1	Support Assembly	
71	Not Serviced	1	Support, Bearing	
72	See Note	1	Seal (Note: Use Item 151 or 152)	
73	7023288	1	Bearing	
74	7023289	1	Bearing	
75	7023302	1	Shim Set	
76	7023290	1	Ring	
77	7023291	1	Ring, Snap	
78	See Note	1	Seal (Note: Use Item 151 or 152)	
90	7023292	1	Shaft	
91	7023303	1	Stud Set (1 Set of 5)	
91	7018436	1	Nut, Wheel (1 Set of 5)	
100	7023293	1	Disc Brake Assembly	
101	Not Serviced	1	Body, Brake	
102	7023294	8	Bolt	
106	See Note	1	O-Ring (Note: Use Item 151 or 152)	
107	7023295	1	Piston, Brake	
108	7023296	1	Washer, Spring	
109	7023297	1	Ring, Snap	
110	7023298	1	Shaft	
111	Item 152	1	Seal	
112	7018408	1	Bolt	
113	See Note	1	Gasket (Note: Use Item 151 or 152)	
116	7023305	1	Shim	
135	7023304	1	Brake Disc Kit (Includes Shim Kit)	
135	7026191	1	Brake Shim Kit	
141	Item 152	1	Protector	
142	Item 152	1	Plug, Dust	
143	Item 152	1	O-Ring	
151	7023300	1	Seal Kit - (Includes Items - 27, 45, 72, 78, 106 & 113)	
152	7023301	1	Seal Kit - (Includes Items - 27, 45, 48, 72, 78, 106, 111, 113, 141, 142 & 143)	

SECTION 1 - FRAME

FIGURE 1-6. REAR DRIVE MOTOR WITH BRAKE ASSEMBLY - 330CRT (SN 82626 to Present)



SECTION 1 - FRAME

FIGURE 1-6. REAR DRIVE MOTOR WITH BRAKE ASSEMBLY - 330CRT (SN 82626 to Present)

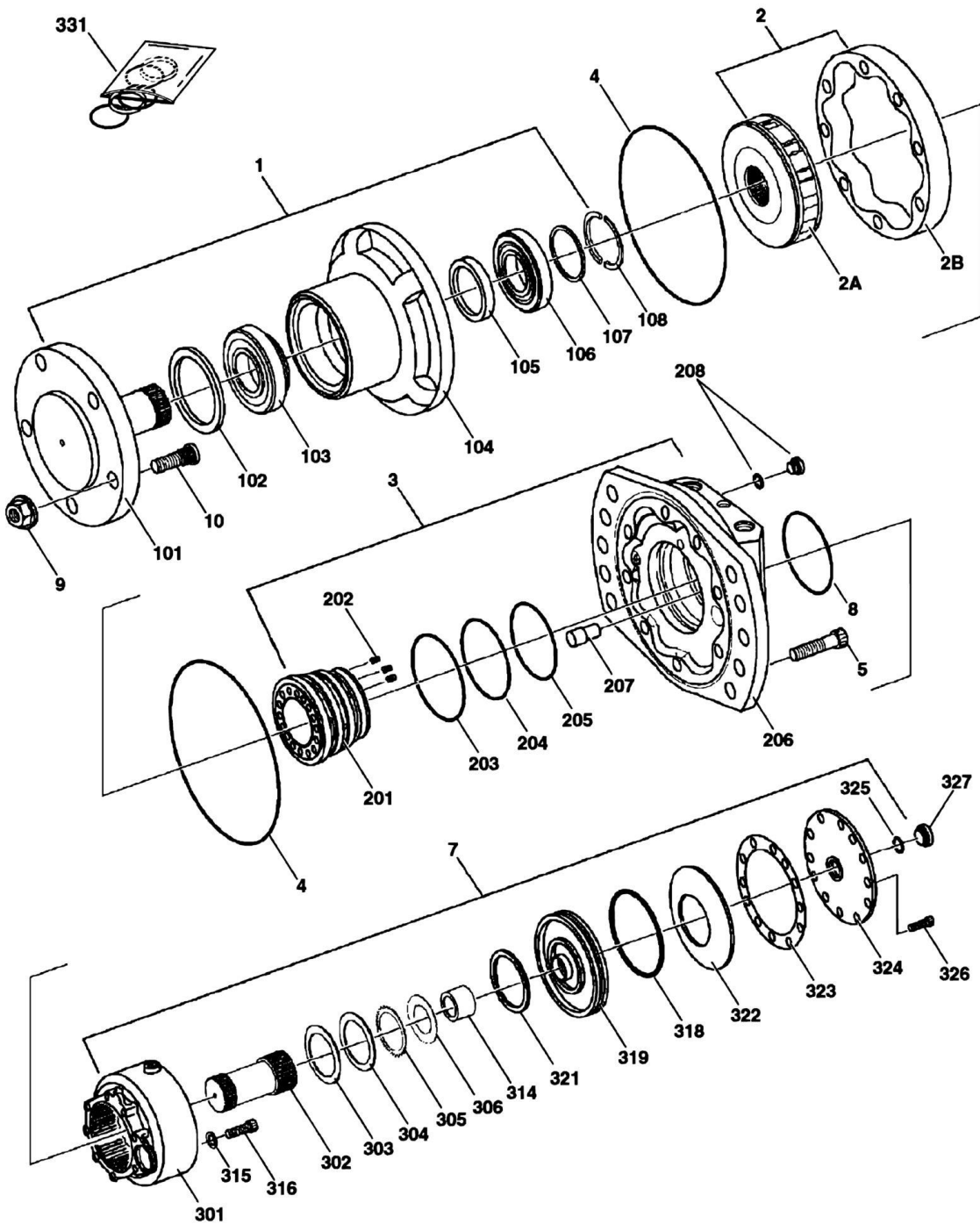
ITEM	PART NUMBER	QTY	DESCRIPTION	REV
	3160244	Ref	DRIVE MOTOR ASSEMBLY - 330CRT	D
1	7024963	1	Front Housing Assembly (See Items 101 to 108 for Breakdown)	
2	7023866	1	Rotary Assembly	
2A	Not Available	1	Rotary without Cam	
2B	Not Available	1	Cam	
3	7024964	1	Rear Housing Assembly (See Items 201 to 208 for Breakdown)	
4	Item 331	2	Seal, Square	
5	Not Available	6	Screw, Cap	
7	7024965	1	Brake Assembly (See Items 301 to 327 for Breakdown)	
8	Item 331	1	Seal, Square	
9	7023806	5	Lugnut	
10	7023807	5	Stud, Wheel	
		Ref	FRONT HOUSING ASSEMBLY	
101	7022586	1	Shaft	
102	Item 331	1	Seal, Face	
103	7022587	1	Bearing, Front	
104	Not Available	1	Casting, Front	
105	Item 331	1	Seal, Shaft	
106	7022588	1	Bearing, Rear	
107	Not Available	1	Washer	
108	7022589	1	Ring, Split	
		Ref	REAR HOUSING ASSEMBLY	
201	Not Available	1	Ring, Distributor	
202	Not Available	9	Spring	
203	Item 331	1	Seal, Nylon	
204	Item 331	1	Seal, Nylon	
205	Item 331	1	Seal, Nylon	
206	Not Available	1	Housing, Rear	
207	7022590	1	Pin, Stop	
208	7022591	1	Plug (O-Ring Supplied with Plug)	
		Ref	BRAKE ASSEMBLY	
301	Not Available	1	Housing, Brake	
302	7022592	1	Shaft	
303	7022593	1	Shim	
304	7022594	1	Shim	
305	7022595	15	Disc, Outer Brake	
306	7022596	13	Disc, Inner Brake	
314	7022597	1	Bushing	
315	Not Available	8	Washer	
316	Not Available	8	Screw, Cap	
318	Item 331	1	Ring, Square	
319	7022598	1	Piston, Brake	
321	Item 331	1	Seal, Outer	
322	7022599	1	Washer, Bellville	
323	Item 331	1	Gasket	
324	Not Available	1	Cover, End	
325	Item 331	1	O-Ring	
326	Not Available	12	Screw, Cap	
327	7023800	1	Plug	

SECTION 1 - FRAME

ITEM	PART NUMBER	QTY	DESCRIPTION	REV
331	7022585	1	Seal Kit - (Includes Items 4, 8, 102, 105, 203-205, 318, 321, 323 & 325)	

SECTION 1 - FRAME

FIGURE 1-7. FRONT/REAR DRIVE MOTOR WITH BRAKE ASSEMBLY - 400CRT



SECTION 1 - FRAME

FIGURE 1-7. FRONT/REAR DRIVE MOTOR WITH BRAKE ASSEMBLY - 400CRT

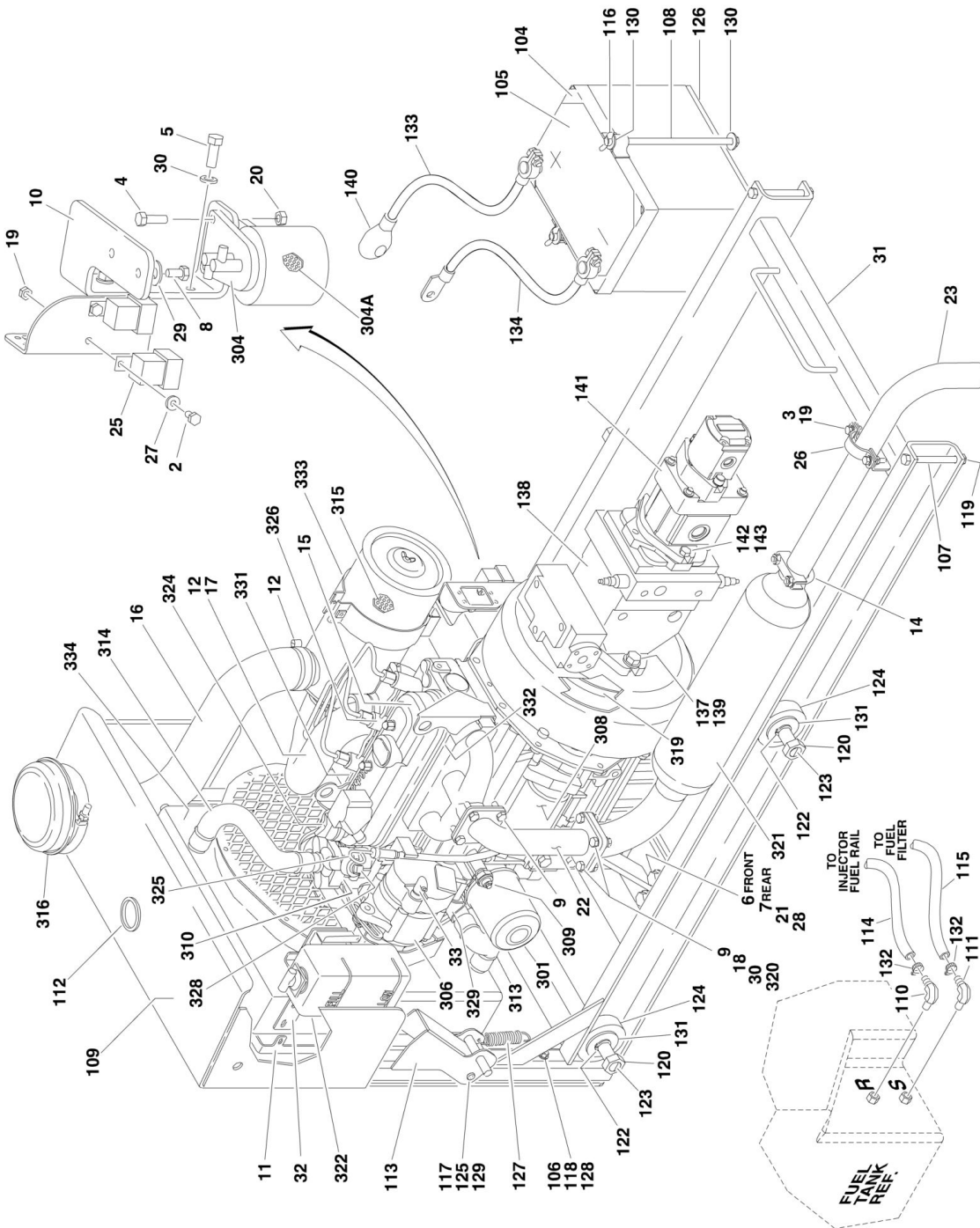
ITEM	PART NUMBER	QTY	DESCRIPTION	REV
	3160253	Ref	DRIVE MOTOR ASSEMBLY - 400CRT	B
1	Not Available	1	Front Housing Assembly (See Items 101 to 108 for Breakdown)	
2	Not Available	1	Rotary Assembly	
2A	Not Available	1	Rotary without Cam	
2B	Not Available	1	Cam	
3	Not Available	1	Rear Housing Assembly (See Items 201 to 208 for Breakdown)	
4	Item 331	2	Seal, Square	
5	Not Available	6	Screw, Cap	
7	Not Available	1	Brake Assembly (See Items 301 to 327 for Breakdown)	
8	Item 331	1	Seal, Square	
9	7023806	5	Lugnut	
10	7023807	5	Stud, Wheel	
		Ref	FRONT HOUSING ASSEMBLY	
101	7022586	1	Shaft	
102	Item 331	1	Seal, Face	
103	7022587	1	Bearing, Front	
104	Not Available	1	Casting, Front	
105	Item 331	1	Seal, Shaft	
106	7022588	1	Bearing, Rear	
107	Not Available	1	Washer	
108	7022589	1	Ring, Split	
		Ref	REAR HOUSING ASSEMBLY	
201	Not Available	1	Ring, Distributor	
202	Not Available	9	Spring	
203	Item 331	1	Seal, Nylon	
204	Item 331	1	Seal, Nylon	
205	Item 331	1	Seal, Nylon	
206	Not Available	1	Housing, Rear	
207	7022590	1	Pin, Stop	
208	7022591	1	Plug (O-Ring Supplied with Plug)	
		Ref	BRAKE ASSEMBLY	
301	Not Available	1	Housing, Brake	
302	7022592	1	Shaft	
303	7022593	1	Shim	
304	7022594	1	Shim	
305	7022595	15	Disc, Outer Brake	
306	7022596	13	Disc, Inner Brake	
314	7022597	1	Bushing	
315	Not Available	8	Washer	
316	Not Available	8	Screw, Cap	
318	Item 331	1	Ring, Square	
319	7022598	1	Piston, Brake	
321	Item 331	1	Seal, Outer	
322	7022599	1	Washer, Bellville	
323	Item 331	1	Gasket	
324	Not Available	1	Cover, End	
325	Item 331	1	O-Ring	
326	Not Available	12	Screw, Cap	
327	7023800	1	Plug	

SECTION 1 - FRAME

ITEM	PART NUMBER	QTY	DESCRIPTION	REV
331	7022585	1	Seal Kit - (Includes Items 4, 8, 102, 105, 203-205, 318, 321, 323 & 325)	

SECTION 1 - FRAME

FIGURE 1-8. DIESEL ENGINE INSTALLATION - KUBOTA



SECTION 1 - FRAME

FIGURE 1-8. DIESEL ENGINE INSTALLATION - KUBOTA

ITEM	PART NUMBER	QTY	DESCRIPTION	REV
	0259851	Ref	DIESEL ENGINE ASSEMBLY	E
2	0641404	2	Bolt 1/4in-20NC x 1/2in	
3	0641410	2	Bolt 1/4in-20NC x 1 1/4in	
4	0641508	2	Bolt 5/16in-18NC x 1in	
5	0641608	2	Bolt 3/8in-16NC x 1in	
6	0641812	4	Bolt 1/2in-13NC x 1 1/2in	
7	0641814	2	Bolt 1/2in-13NC x 1 3/4in	
8	0700808	2	Bolt, Metric M8 x 16mm	
9	0760812	8	Bolt, Metric M8 x 25mm	
10	0902613	1	Bracket, Air Cleaner	
11	0902624	1	Bracket, Radiator Seal	
12	1320016	4	Clamp	
14	1320274	1	Clamp, Exhaust	
15	2000169	1	Engine, Kubota Diesel	
16	2720456	1	Hose, Air Intake	
17	2720457	1	Hose, Air Intake	
18	3290801	4	Nut, Metric M8	
19	3311405	4	Locknut 1/4in-20NC	
20	3311505	2	Locknut 5/16in-18NC	
21	3311805	6	Locknut 1/2in-13NC	
22	3460314	1	Pipe, Exhaust	
23	3460316	1	Pipe, Exhaust	
25	3740049	2	Relay	
26	4240143	1	Strap, Exhaust	
27	4711400	4	Flatwasher 1/4in Narrow	
28	4711800	12	Flatwasher 1/2in Narrow	
29	4751600	2	Flatwasher 3/8in	
30	4761600	6	Lockwasher 3/8in	
31	4846036	1	Engine Tray Weldment	
32	4846221	1	Reserve Tank Mounting Weldment	
33	0840026	1	Boot, Terminal	
	0259381	Ref	DIESEL ENGINE INSTALLATION	J
101	0100011	AR	Loctite #242 (Not Shown)	
102	0100020	AR	Sealant, Pipe (Not Shown)	
104	0400002	1	Hold-Down, Battery	
104	2910479	1	Clip Repair Kit	
105	0400003	1	Battery	
106	0641418	4	Bolt 1/4in-20NC x 2 1/4in	
107	0641632	2	Bolt 3/8in-16NC x 4in	
108	0641672	2	Bolt 3/8in-16NC x 9in	
109	1670945	1	Cover, Engine - Front	
110	2221046	1	Fitting, 90	
111	2221047	1	Fitting, 90	
112	2540036	1	Grommet	
113	2560163	1	Handle	
114		Ref	Hose, Fuel Line Options:	
114	2720339	9 ft/2.75m	Production	
114	2720058	9 ft/2.75m	Post Production	
115	2720271	9 ft/2.75m	Hose, Low Pressure	
116	3300029	2	Wingnut 3/8in-16NC	

SECTION 1 - FRAME

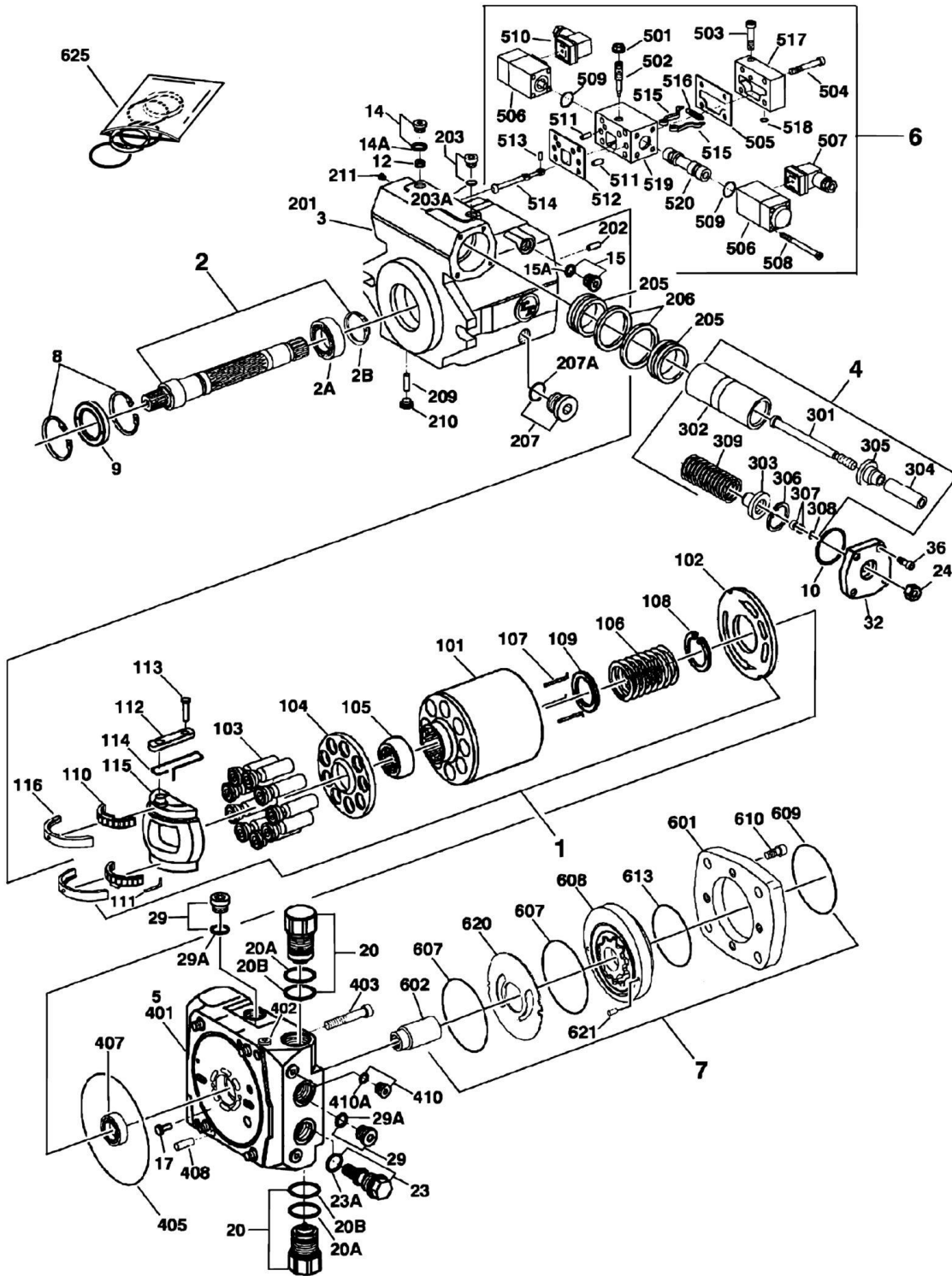
ITEM	PART NUMBER	QTY	DESCRIPTION	REV
117	3300374	1	Nut, Post Binding	
118	3311405	4	Locknut 1/4in-20NC	
119	3311605	2	Locknut 3/8in-16NC	
120	3322202	4	Nut, Jam 3/4in-16NF	
122	3760348	4	Ring, Retaining	
123	3841233	4	Rod, Roller Mount	
124	3860059	4	Roller, Extension	
125	3900184	1	Screw, Button Head #10-24NC x 5/8in	
126	3980003	1	Seat, Battery	
127	4160189	1	Spring, Extension	
128	4711400	8	Flatwasher 1/4in Narrow	
129	4740493	2	Washer, Nylon Insert	
130	4751600	4	Flatwasher 3/8in	
131	4752200	4	Flatwasher 3/4in	
132	1320022	6	Clamp	
133	1060823	1	Cable, Battery (Positive)	
134	1060824	1	Cable, Battery (Negative)	
137	0641812	2	Bolt 1/2in-13NC x 1 1/2in	
138		Ref	Piston Pump Assembly Options:	
138	3600300	1	Production (See PISTON PUMP ASSEMBLY (PRODUCTION) for Breakdown)	
138	3600414	1	Post Production (See PISTON PUMP ASSEMBLY (POST PRODUCTION) for Breakdown)	
139	4711800	2	Flatwasher 1/2in Narrow	
140	0840025	1	Boot, Cable	
141	3600313	1	Gear Pump Assembly	
141	7022389	1	Seal Kit - 3600313 Front Pump	
141	70002861	1	Seal Kit - 3600313 Rear Pump (was p/n 7022388)	
142	0641608	2	Bolt 3/8in-16NC x 1in	
143	4711600	2	Flatwasher 3/8in (Narrow)	
	2000169	Ref	ENGINE COMPONENTS	A
301	7017923	1	Filter, Oil	
302	7023177	1	Solenoid, Stop (Not Shown)	
302	7023134	1	Gasket (Not Shown)	
303	7023137	3	Plug, Glow (Not Shown)	
304	7023199	1	Filter Cover Assembly	
304A	7023138	1	Element, Fuel Filter	
305	7017995	1	Gasket, Fuel Pump (Not Shown)	
306	7023169	1	Alternator	
306	7023142	2	Brush	
306	7023143	2	Spring, Brush	
307	7023141	1	V-Belt (Not Shown)	
308	7023144	1	Starter	
308	7023186	1	Relay, Starter	
308	7023187	1	Connector, Starter Relay	
309	7017901	1	Switch, Oil	
310	7023170	1	Thermostat	
311	7017924	1	Pump, Water (Not Shown)	
312	7017967	1	Cap, Radiator (Not Shown)	
313	7017968	1	Hose, Radiator (Bottom)	
314	7017969	1	Hose, Radiator (Top)	
315	7017938	1	Element, Air Cleaner	

SECTION 1 - FRAME

ITEM	PART NUMBER	QTY	DESCRIPTION	REV
316	7017942	1	Cap, Air Cleaner	
318	7023173	1	Sensor, Speed (Not Shown)	
319	7023196	1	Coupling, Pump	
320	7023124	2	Gasket, Exhaust	
321	7023172	1	Muffler	
322	7023126	1	Tank, Reservoir	
323	7017908	1	Plug, Drain Oil Pan (Not Shown)	
323	7017904	1	Gasket, Drain Plug (Not Shown)	
324	7023133	1	Cap, Oil Filler	
325	7023160	1	Dipstick	
326	7023166	3	Nozzle Holder Assembly	
326	7023167	3	Gasket (1 per holder)	
326	7023168	3	Seal, Heat (1 per holder)	
327	7026205	1	Pump, Fuel (Electric) (Not Shown)	
328	7026211	1	Thermoswitch	
329	7017963	1	Pipe, Water	
330	7017964	1	Hose, Water (Not Shown - Located from Water Pipe to Bottom of Water Pump)	
331	7023149	1	Gasket, Intake Manifold	
332	7023148	1	Gasket, Exhaust Manifold	
333	7026202	1	Band, Air Cleaner	
333	7026203	1	Cushion	
334	7026207	1	Radiator Assembly	
335	7023164	1	Pump, Injection (Not Shown)	
336	7023188	1	Harness, Engine (Not Shown)	
337	70001140	1	Gear, Ring (Flywheel) (Not Shown)	
338	70001865	1	Fan, Cooling (Not Shown)	

SECTION 1 - FRAME

FIGURE 1-9. PISTON PUMP ASSEMBLY (PRODUCTION)



SECTION 1 - FRAME

FIGURE 1-9. PISTON PUMP ASSEMBLY (PRODUCTION)

ITEM	PART NUMBER	QTY	DESCRIPTION	REV
	3600300	Ref	PISTON PUMP ASSEMBLY	D
1	Not Available	1	Rotary Group Assembly (Includes Items 101-116)	
2	Not Available	1	Shaft Assembly	
2	7023887	1	Shaft	
2A	7023888	1	Bearing, Roller	
2B	7023889	1	Ring, Retaining	
3	Not Available	1	Housing Assembly (Includes Items 201-211)	
4	Not Available	1	Stroking Piston Assembly (Includes Items 301-309)	
5	Not Available	1	Port Block Assembly (Includes Items 401-410)	
6	7023877	1	Control Valve Assembly (Includes Items 501-520)	
7	Not Available	1	Thru Drive Assembly (Includes Items 601-621)	
8	7023878	2	Ring, Retaining	
9	7024070	1	Seal, Shaft	
10	Item 625	1	O-Ring	
12	Not Available	2	Orifice (1.0)	
14	Not Serviced	3	Plug, O-Ring	
14A	Item 625	3	O-Ring	
15	Not Serviced	3	Plug, O-Ring	
15A	Item 625	3	O-Ring	
17	7023879	1	Pin, Lens	
20	7022380	2	Relief Valve Assembly	
20A	Item 625	2	Ring, Back-Up	
20B	Item 625	2	O-Ring	
23	7023881	1	Charge Pressure Relief Valve Kit	
23A	Item 625	1	O-Ring	
24	Item 625	1	Nut, Jam	
29	Not Serviced	1	Plug, O-Ring	
29A	Item 625	2	O-Ring	
32	Not Available	1	Cover, Stroking Piston	
36	7023882	4	Capscrew M6 x 12	
		Ref	ROTARY GROUP ASSEMBLY	
101	Not Available	1	Barrel	
102	Not Available	1	Plate, Lens	
103	Not Available	9	Piston	
104	Not Available	1	Plate, Retaining	
105	Not Available	1	Coupling, Ball	
106	7023883	1	Spring	
107	Not Available	3	Pin, Pressure	
108	7023884	1	Ring, Retaining	
109	Not Available	1	Disk	
110	7023885	1	Cradle Bearing Set	
111	7023834	1	Wire	
112	Not Available	1	Lever	
113	Not Available	1	Pin	
114	Not Available	1	Wire	
115	Not Available	1	Plate, Swash	
116	7023886	1 pr	Race, Bearing	
		Ref	HOUSING ASSEMBLY	
201	Not Available	1	Housing	
202	Not Available	2	Rollpin	

SECTION 1 - FRAME

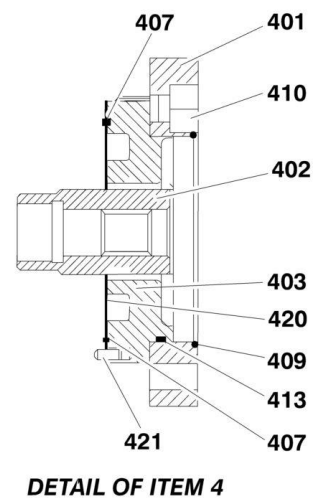
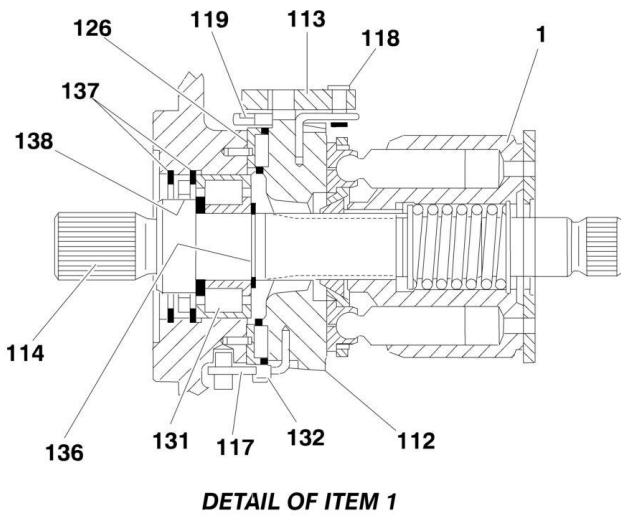
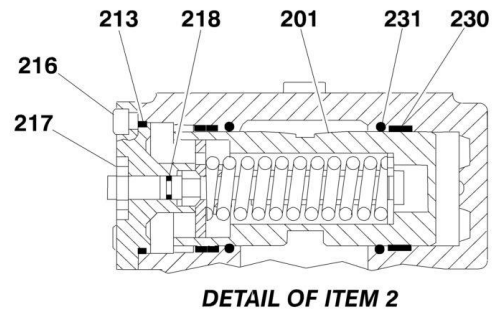
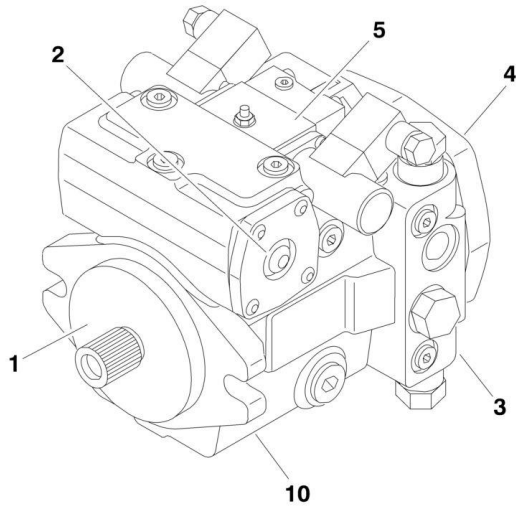
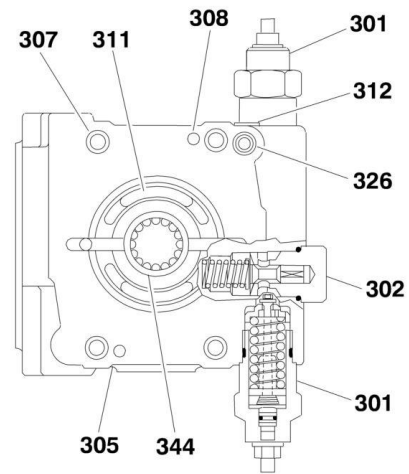
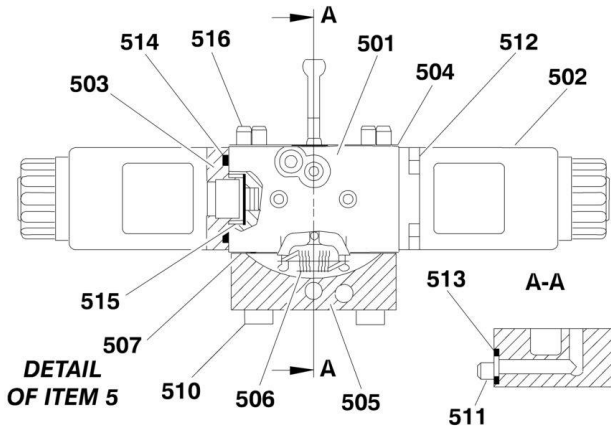
ITEM	PART NUMBER	QTY	DESCRIPTION	REV
203	Not Available	3	Plug, O-Ring	
203A	Item 625	3	O-Ring	
205	7023890	2	Bushing	
206	Item 625	2	Glyd-Ring	
207	Not Available	1	Plug, O-Ring	
207A	Item 625	1	O-Ring	
209	Not Available	1	Pin	
210	Item 625	1	Plug	
211	Not Available	1	Plug, Breakoff	
		Ref	STROKING PISTON ASSEMBLY	
301	7023891	1	Bolt, Centering	
302	Not Available	1	Piston, Center	
303	7023892	1	Collar, Spring	
304	7023893	1	Spacer	
305	7023894	1	Collar, Spring	
306	7023895	1	Ring, Retaining	
307	7023896	1	Ring	
308	Item 625	1	O-Ring	
309	7023897	1	Spring	
		Ref	PORT BLOCK ASSEMBLY	
401	Not Available	1	Block, Port	
402	Item 625	1	Plug	
403	7023898	4	Capscrew M12 x 70	
405	Item 625	1	O-Ring	
407	7023899	1	Bearing, Roller	
408	Not Available	2	Pin, Dowel	
410	Not Available	2	Plug, O-Ring	
410A	Item 625	2	O-Ring	
		Ref	CONTROL VALVE ASSEMBLY	
501	Item 625	1	Nut, Seal	
502	Not Available	1	Eccentric	
503	7024000	1	Capscrew M6 x 45	
504	7024001	4	Capscrew M6 x 70	
505	Item 625	1	Gasket	
506	7023854	2	Solenoid	
507	7023855	1	Connector, Electrical (Gray)	
508	Not Available	8	Capscrew M4 x 50	
509	Item 625	2	O-Ring	
510	7023856	1	Connector, Electrical (Black)	
511	Not Available	2	Pin, Dowel	
512	Item 625	1	Gasket	
513	Not Available	1	Pin	
514	7024002	1	Lever, Feedback	
515	7024003	2	Lever	
516	7023859	1	Spring	
517	Not Available	1	Cover	
518	Item 625	1	O-Ring	
519	Not Available	1	Block	
520	Not Available	1	Piston	
		Ref	THRU DRIVE ASSEMBLY	
601	Not Available	1	Plate	

SECTION 1 - FRAME

ITEM	PART NUMBER	QTY	DESCRIPTION	REV
602	7024004	1	Coupling, Shaft	
607	Item 625	2	O-Ring	
608	Not Available	1	Gear	
609	Item 625	1	O-Ring	
610	Not Available	4	Capscrew M10 x 20	
613	Item 625	1	O-Ring	
620	7024005	1	Plate, Wear	
621	Not Available	1	Pin	
625	7024006	1	Seal Kit (Includes Items 9, 10, 14A, 15A, 20A, 20B, 23A, 24, 29A, 203A, 206, 207A, 210, 308, 402, 405, 410A, 501, 505, 509, 512, 518, 607, 609 & 613)	

SECTION 1 - FRAME

FIGURE 1-10. PISTON PUMP ASSEMBLY (POST PRODUCTION)



SECTION 1 - FRAME

FIGURE 1-10. PISTON PUMP ASSEMBLY (POST PRODUCTION)

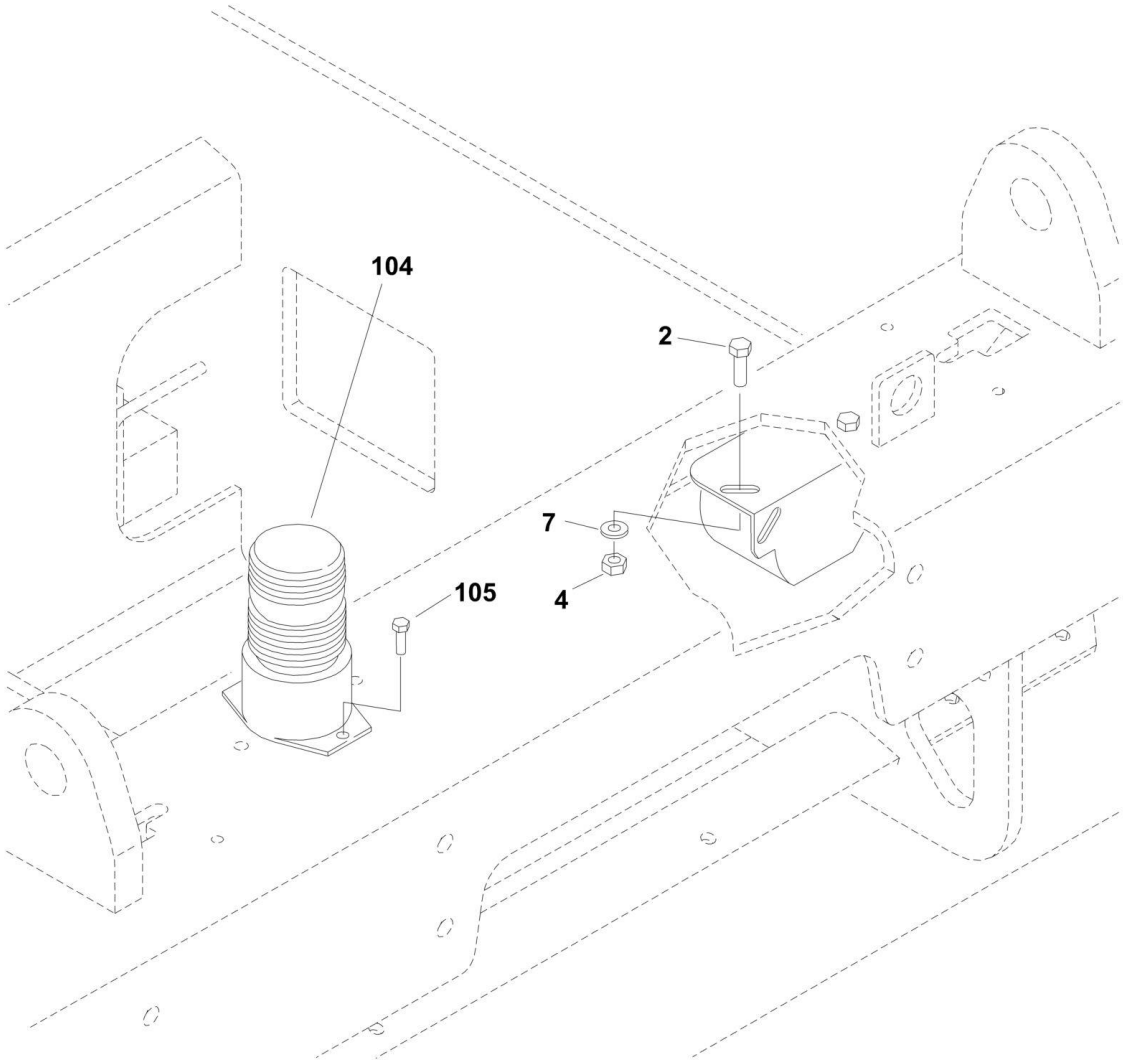
ITEM	PART NUMBER	QTY	DESCRIPTION	REV
	3600414	Ref	PISTON PUMP ASSEMBLY	B
1	7024064	1	Rotary Group (See Items 101-138 for Breakdown)	
2	7024065	1	Control Assembly (See Items 201-231 for Breakdown)	
3	Not Available	1	Valve Plate Assembly (See Items 301-344 for Breakdown)	
4	Not Available	1	Internal Pump Assembly (See Items 401-421 for Breakdown)	
5	7024068	1	Module Assembly (See Items 501-516 for Breakdown)	
10	Not Available	1	Housing	
13	80934596	1	Joint, Pin (Not Shown)	
14	Not Available	1	Pin, Dowel (Not Shown)	
20	Not Available	1	Screw, Locking (Not Shown)	
22	Not Available	3	Screw, Locking (Not Shown)	
23	Not Available	1	Screw, Locking (Not Shown)	
24	Not Available	1	Screw, Locking (Not Shown)	
27	Not Available	1	Pin, Breakoff (Not Shown)	
28	7018936	2	Orifice (Not Shown)	
31	7028877	2	Pin, Clamping (Not Shown)	
41	7024069	1	O-Ring (Not Shown)	
49	Not Available	1	Plug (Not Shown)	
	7024064	Ref	ROTARY GROUP	
112	Not Available	1	Cradle (Purchase Assembly p/n 7024064)	
113	Not Available	1	Ring, Slide (Purchase Assembly p/n 7024064)	
114	7023887	1	Driveshaft	
117	Not Available	1	Wire (Purchase Assembly p/n 7024064)	
118	Not Available	1	Joint, Pin (Purchase Assembly p/n 7024064)	
119	Not Available	1	Wire (Purchase Assembly p/n 7024064)	
126	Not Available	1 pr	Liner, Bearing (Purchase Assembly p/n 7024064)	
131	7023888	1	Bearing, Roller	
132	7023885	1 Set	Cradle Bearing Assembly (Purchase Assembly p/n 7024064)	
136	Not Available	1	Ring, Retaining (Purchase Assembly p/n 7024064)	
137	70001968	2	Ring, Retaining (Purchase Assembly p/n 7024064)	
138	7024070	1	Seal, Shaft Ring	
	7024065	Ref	CONTROL ASSEMBLY	
201	Not Available	1	Piston, Positioning - Complete (Purchase Assembly p/n 7024065) (Includes Items 213 & 218)	
213	7024071	1	O-Ring, Outer Seal	
216	Not Available	4	Capscrew, Socket Head (Purchase Assembly p/n 7024065)	
217	Not Available	1	Nut, Hex (Purchase Assembly p/n 7024065)	
218	7024072	1	O-Ring, Stem	
230	Not Available	2	Ring, Guide (Purchase Assembly p/n 7024065)	
231	Not Available	2	Ring, Glide (Purchase Assembly p/n 7024065)	
	Not Available	Ref	VALVE PLATE ASSEMBLY	
301	7024073	2	Cartridge, Relief Valve (Note: Sold as an Assembly Except O-Ring and Back-up Ring.)	
301	7024075	2	O-Ring (1 Per Assembly)	
301	7024076	2	Ring, Back-up (1 Per Assembly)	
302	7023881	1	Cartridge, Relief Valve (Note: Sold as an Assembly Except O- Ring.)	
302	7024077	1	O-Ring	
305	70003339	1	Plate, Port	
307	Not Available	4	Capscrew	

SECTION 1 - FRAME

ITEM	PART NUMBER	QTY	DESCRIPTION	REV
308	Not Available	2	Pin, Dowel	
311	70003340	1	Pin, Breakoff	
312	Not Available	1	Screw, Locking	
326	7024908	1	O-Ring	
335	Not Available	2	Screw, Locking (Not Shown)	
344	Not Available	1	Bearing, Roller	
	Not Available	Ref	INTERNAL PUMP ASSEMBLY	
401	Not Available	1	Plate, Sandwich	
402	7024004	1	Coupling, Shaft	
403	Not Available	1	Seal, Ring	
407	Not Available	2	Seal	
409	7024082	1	O-Ring	
410	Not Available	4	Capscrew	
413	7024081	1	O-Ring	
420	7024005	1	Plate, Wear	
421	Not Available	1	Pin, Dowel	
	7024068	Ref	MODULE ASSEMBLY	
501	7024084	1	Module, Control (Valve Block) Less Coils (Note: No Internal Replacement Parts Available. Sold as an Assembly Only.)	
502	7024083	2	Coil, Solenoid	
503	Not Available	2	Adapter, Valve Block to Coil (Purchase Assembly p/n 7024068)	
504	7024085	1	Gasket	
505	Not Available	1	Cover (Purchase Assembly p/n 7024068)	
506	Not Available	1	Spring, Draw (Purchase Assembly p/n 7024068)	
507	7024086	1	Gasket	
510	80934644	4	Capscrew (Purchase Assembly p/n 7024068)	
511	Not Available	1	Capscrew (Purchase Assembly p/n 7024068)	
512	Not Available	8	Capscrew (Purchase Assembly p/n 7024068)	
513	7024087	1	O-Ring	
514	7024088	2	O-Ring	
515	7024089	2	Cup, Spring	
516	Not Available	2	Pin, Dowel (Purchase Assembly p/n 7024068)	
	Not Available	1	Seal Kit - Complete	

SECTION 1 - FRAME

FIGURE 1-11. FRAME MOUNTED COMPONENTS INSTALLATION



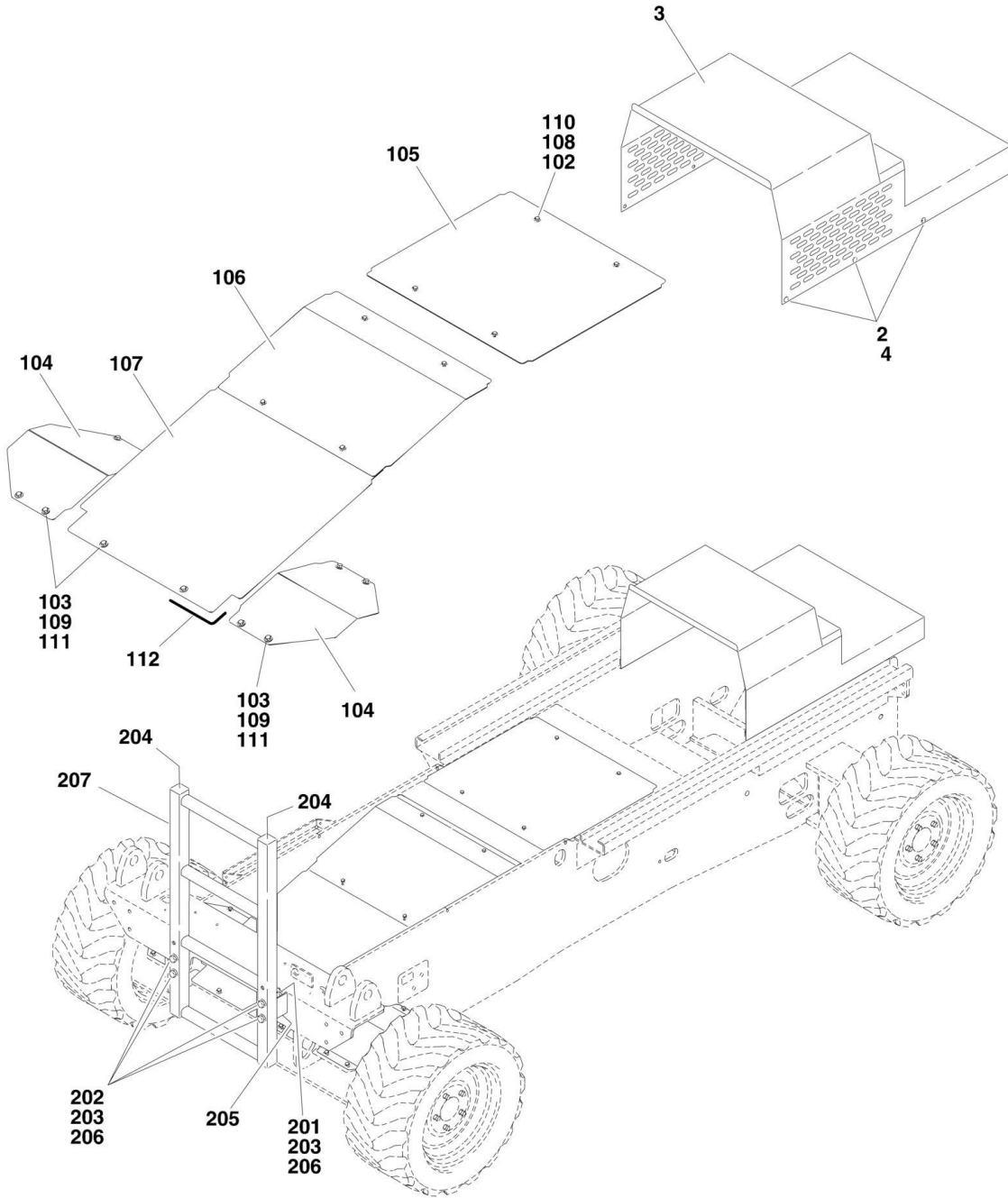
SECTION 1 - FRAME

FIGURE 1-11. FRAME MOUNTED COMPONENTS INSTALLATION

ITEM	PART NUMBER	QTY	DESCRIPTION	REV
		Ref	ALARM INSTALLATIONS (OPTIONAL)	
	0259591	Ref	Descent	D
	0259592	Ref	Motion	D
2	0641508	2	Bolt 5/16in-18NC x 1in	
4	3311505	2	Locknut 5/16in-18NC	
7	4711500	2	Flatwasher 5/16in Narrow	
8	4922425	1	Harness, Alarm (Not Shown - See ELECTRICAL SECTION for Breakdown)	
	0259593	Ref	BEACON LIGHT INSTALLATION (OPTIONAL)	B
103	2820018	AR	Tube, Heat Shrink (Not Shown)	
104	2920146	1	Beacon Light Assembly	
104	7016319	1	Tube, Flash	
104	7016372	1	Lens, Replacement Amber	
105	3941004	2	Screw, Self-Tapping #10-24NC x 1/2in	
111	4922426	1	Harness, Beacon (Not Shown - See ELECTRICAL SECTION for Breakdown)	

SECTION 1 - FRAME

FIGURE 1-12. FRAME COVERS AND LADDERS INSTALLATION



SECTION 1 - FRAME

FIGURE 1-12. FRAME COVERS AND LADDERS INSTALLATION

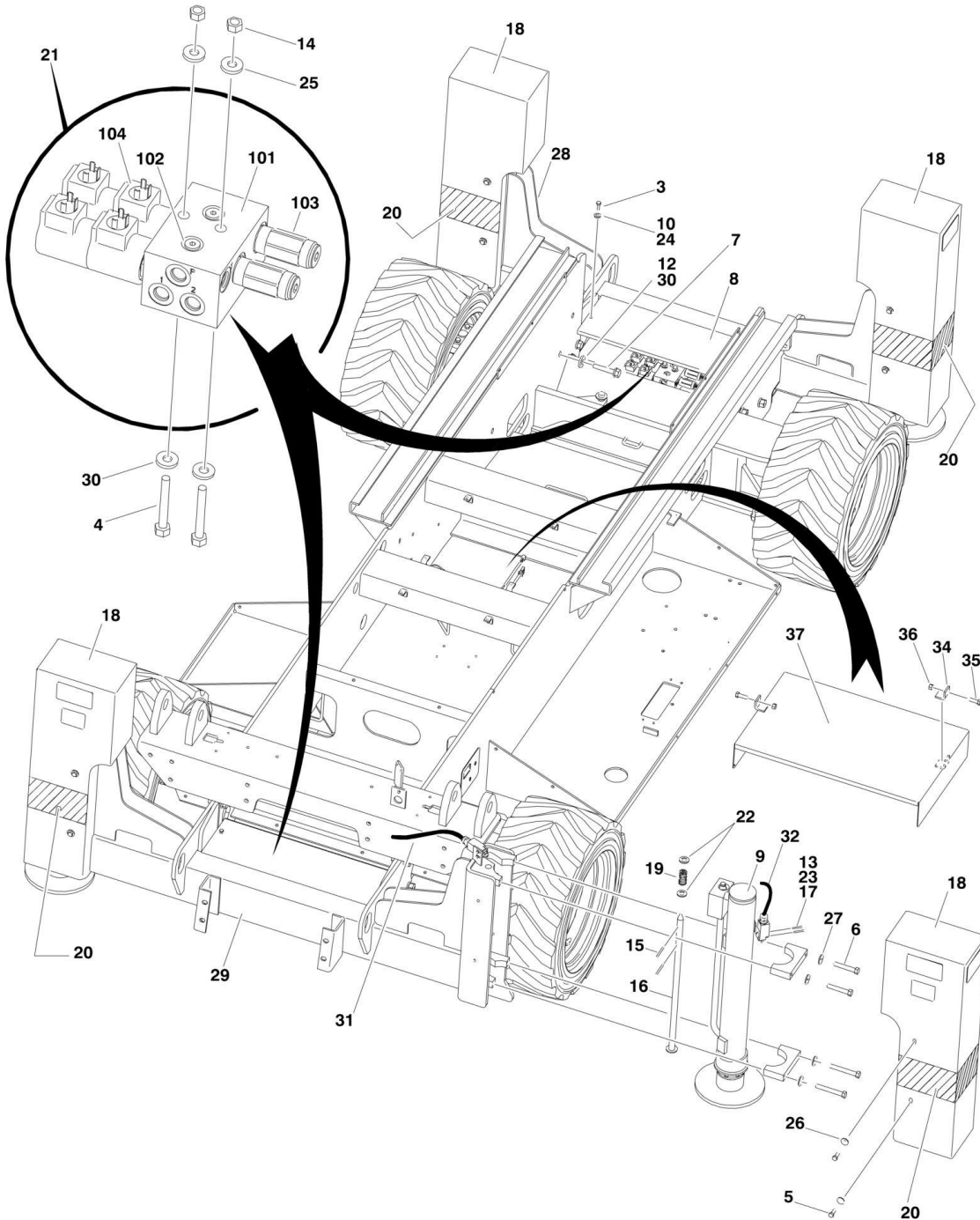
ITEM	PART NUMBER	QTY	DESCRIPTION	REV
	0259562	Ref	ENGINE COVER INSTALLATION	C
1	0100019	AR	Loctite #271 (Not Shown)	
2	0641405	6	Bolt 1/4in-20NC x 5/8in	
3	1670943	1	Cover, Engine	
4	4711400	6	Flatwasher 1/4in (Narrow)	
		Ref	FRAME COVERS INSTALLATION OPTIONS:	
	0259947	Ref	Fixed Rear Axle Machines (Prior to SN 71310)	B
	0259948	Ref	Oscillating and Fixed Rear Axle Machines (SN 71310 to Present)	C
101	0100011	AR	Loctite #242 (Not Shown)	
102	0641406	AR	Bolt 1/4in-20NC x 3/4in	
103		Ref	Bolt Options:	
103	0641506	10	Bolt 5/16in-18NC x 3/4in (Fixed Rear Axle - Prior to SN 71310)	
103	0641405	2	Bolt 1/4in-20NC x 5/8in (Oscillating/Fixed Rear Axle - SN 71310 to Present)	
103	0641407	4	Bolt 1/4in-20NC x 7/8in (Oscillating/Fixed Rear Axle - Use on Axle Covers) (SN 71310 to Present)	
104		Ref	Cover, Axle Options:	
104	1670933	2	Fixed Rear Axle (Prior to SN 71310)	
104	3572029	2	Oscillating/Fixed Rear Axle (SN 71310 to Present)	
105	1670934	1	Cover, Frame - Front	
106		Ref	Cover, Frame - Center Options:	
106	1670935	1	Fixed Rear Axle (Prior to SN 71310)	
106	1670937	1	Oscillating/Fixed Rear Axle (Not Shown - Items 106 & 107 are 1 piece) (SN 71310 to Present)	
107		Ref	Cover, Frame - Rear Options:	
107	1670936	1	Fixed Rear Axle (Prior to SN 71310)	
107	1670937	1	Oscillating/Fixed Rear Axle (Not Shown - Items 106 & 107 are 1 piece) (SN 71310 to Present)	
108	2080052	AR	Fastener 1/4in-20NC	
109		Ref	Nut Options:	
109	0641506	10	Nut 5/16in-18NC (Fixed Rear Axle) (Prior to SN 71310)	
109	0641405	2	Nut 1/4in-20NC (Oscillating/Fixed Rear Axle) (SN 71310 to Present)	
110	4751400	8	Flatwasher 1/4in	
111	4751500	AR	Flatwasher 5/16in	
112	4060803	4.5	Flex-Trim	
		in/11cm		
		Ref	LADDER INSTALLATIONS	
	0259576	Ref	Ladder Installations 330CRT (Australian Spec)	D
	0259577	Ref	Ladder Installations 400CRT (Australian Spec)	D
	0270384	Ref	Ladder Installations 330CRT (CE Spec)	B
	0270385	Ref	Ladder Installations 400CRT (CE Spec)	B
	0270514	Ref	Ladder Installations 330/400CRT (Machines with Leveling Jacks)	A
201	0641814	4	Bolt 1/2in-13NC x 1 3/4in	
202	0641824	4	Bolt 1/2in-13NC x 3in	
203	3311805	8	Locknut 1/2in-13NC	
204	3520071	2	Cap-Plug	
205	3571653	2	Plate, Extension (CE Spec Only)	
206	4751800	16	Flatwasher 1/2in	

SECTION 1 - FRAME

ITEM	PART NUMBER	QTY	DESCRIPTION	REV
207		Ref	Ladder Weldment Options:	
207	4846159	1	Ladder Weldment 330/400CRT (Australian Spec)	
207	4846275	1	Ladder Weldment 330/400CRT (CE Spec)	
207	4846282	1	Ladder Weldment 330/400CRT (Machines with Leveling Jacks)	

SECTION 1 - FRAME

FIGURE 1-13. LEVELING JACKS INSTALLATION



SECTION 1 - FRAME

FIGURE 1-13. LEVELING JACKS INSTALLATION

ITEM	PART NUMBER	QTY	DESCRIPTION	REV
	0259611	Ref	LEVELING JACKS INSTALLATION	D
1	0100011	AR	Loctite, #242 (Not Shown)	
2	0100019	AR	Loctite, #271 (Not Shown)	
3	0641406	4	Bolt 1/4in-20NC x 3/4in	
4	0641528	4	Bolt 5/16in-18NC x 3 1/2in	
5	0641608	16	Bolt 3/8in-16NC x 1in	
6	0641830	16	Bolt 1/2in-13NC x 3 3/4in	
7	0682016	12	Bolt 5/8in-11NC x 2in	
8	1670971	2	Cover, Valve	
9		Ref	Jack Cylinder Assembly Options (See CYLINDERS SECTION for Breakdown):	
9	1684217	4	Jack Cylinder Assembly (p/n was 1683966) (Prior to SN 104829)	
9	1684217	4	Jack Cylinder Assembly (SN 104829 to Present)	
10	2080052	4	Fastener, Insert	
12	3272001	12	Nut 5/8in-11NC	
13	3310805	16	Locknut #8-32NC	
14	3311505	4	Locknut 5/16in-18NC	
15	3440420	8	Pin, Roll	
16	3841326	4	Rod	
17	3930820	16	Bolt #8-32NC x 1 1/4in	
18	4061003	4	Cover	
19	4160116	4	Spring	
20	4420052	8.3 ft/2.5m	Tape, Safety	
21	4641150	2	Leveling Jack Control Valve Assembly (See 101-104 for Breakdown)	
22	4740415	4	Washer	
23	4750800	16	Flatwasher #8 (Wide)	
24	4751400	4	Flatwasher 1/4in (Wide)	
25	4751500	4	Flatwasher 5/16in (Wide)	
26	4751600	16	Flatwasher 3/8in (Wide)	
27	4711800	16	Flatwasher 1/2in (Wide)	
28	4846224	1	Weldment, Leveling Jack (Front)	
29	4846225	1	Weldment, Leveling Jack (Rear)	
30	4892000	28	Flatwasher 5/8in (Hardened)	
31	4922454	2	Harness (See ELECTRICAL SECTION for Breakdown)	
32	4922455	2	Harness (See ELECTRICAL SECTION for Breakdown)	
33	4922456	1	Harness (Not Shown - See ELECTRICAL SECTION for Breakdown)	
34	0182005	2	Angle, Hold-down	
35	0641609	2	Bolt 3/8in-16NC x 1 1/8in	
36	3311605	2	Locknut 3/8in-16NC	
37	3572782	1	Plate, Hose Support	
	4641150	Ref	Leveling Jack Control Valve Assembly	B
101	0561407	1	Valve, Jack Control	
102	2220883	2	Plug	
103	4641151	2	Cartridge, Relief Valve	
103	7021653	2	Seal Kit - 4641151 Valve (1 Per Cartridge)	
104	4641152	2	Valve, 4-Way	
104	7012903	2	Seal Kit - 4641152 Valve (1 Per Cartridge)	

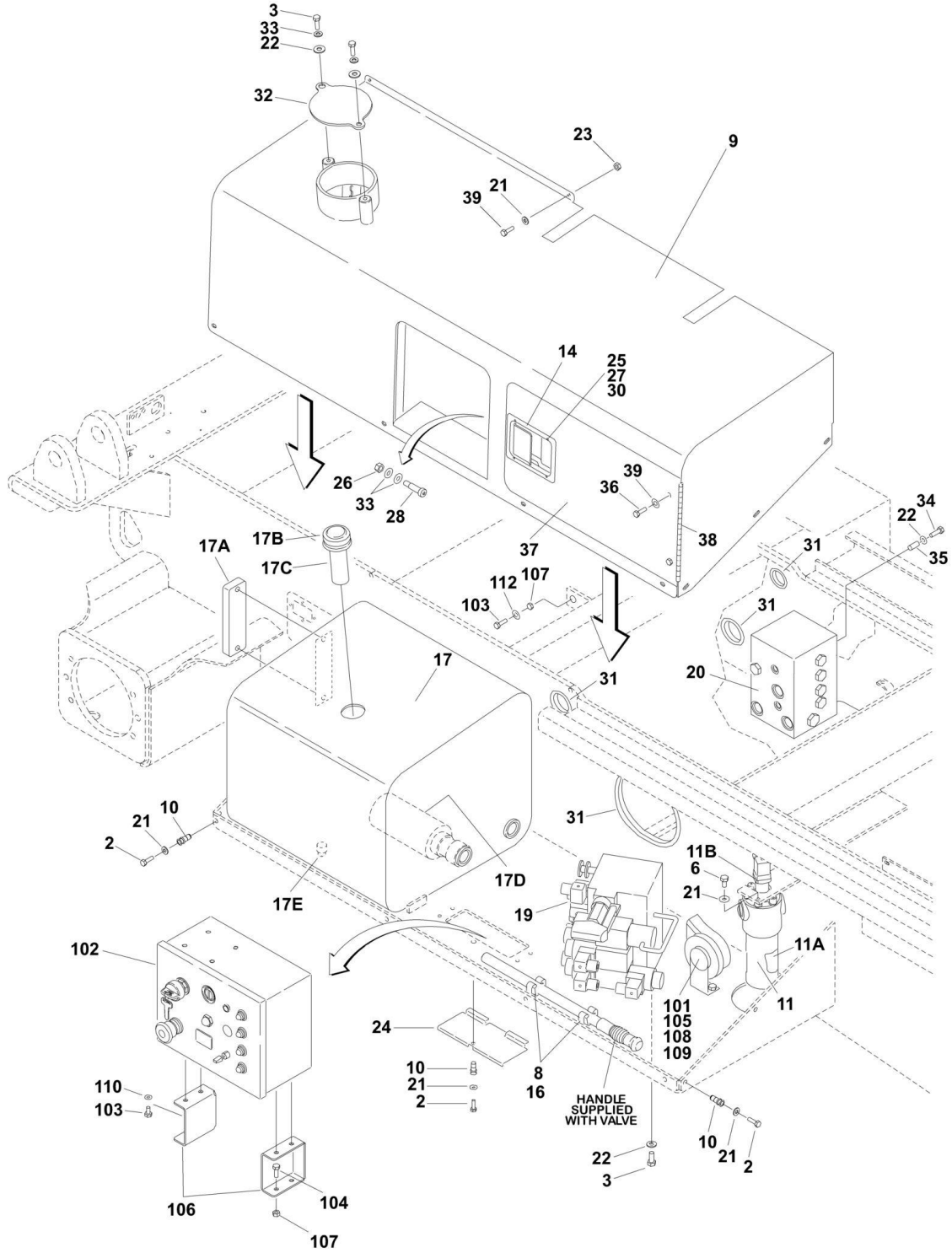
SECTION 1 - FRAME

ITEM	PART NUMBER	QTY	DESCRIPTION	REV
104	7012943	4	Coil (2 Per Cartridge)	

SECTION 2 - GROUND COMPONENTS

SECTION 2 - GROUND COMPONENTS

FIGURE 2-1. RIGHT SIDE COMPARTMENT INSTALLATIONS



SECTION 2 - GROUND COMPONENTS

FIGURE 2-1. RIGHT SIDE COMPARTMENT INSTALLATIONS

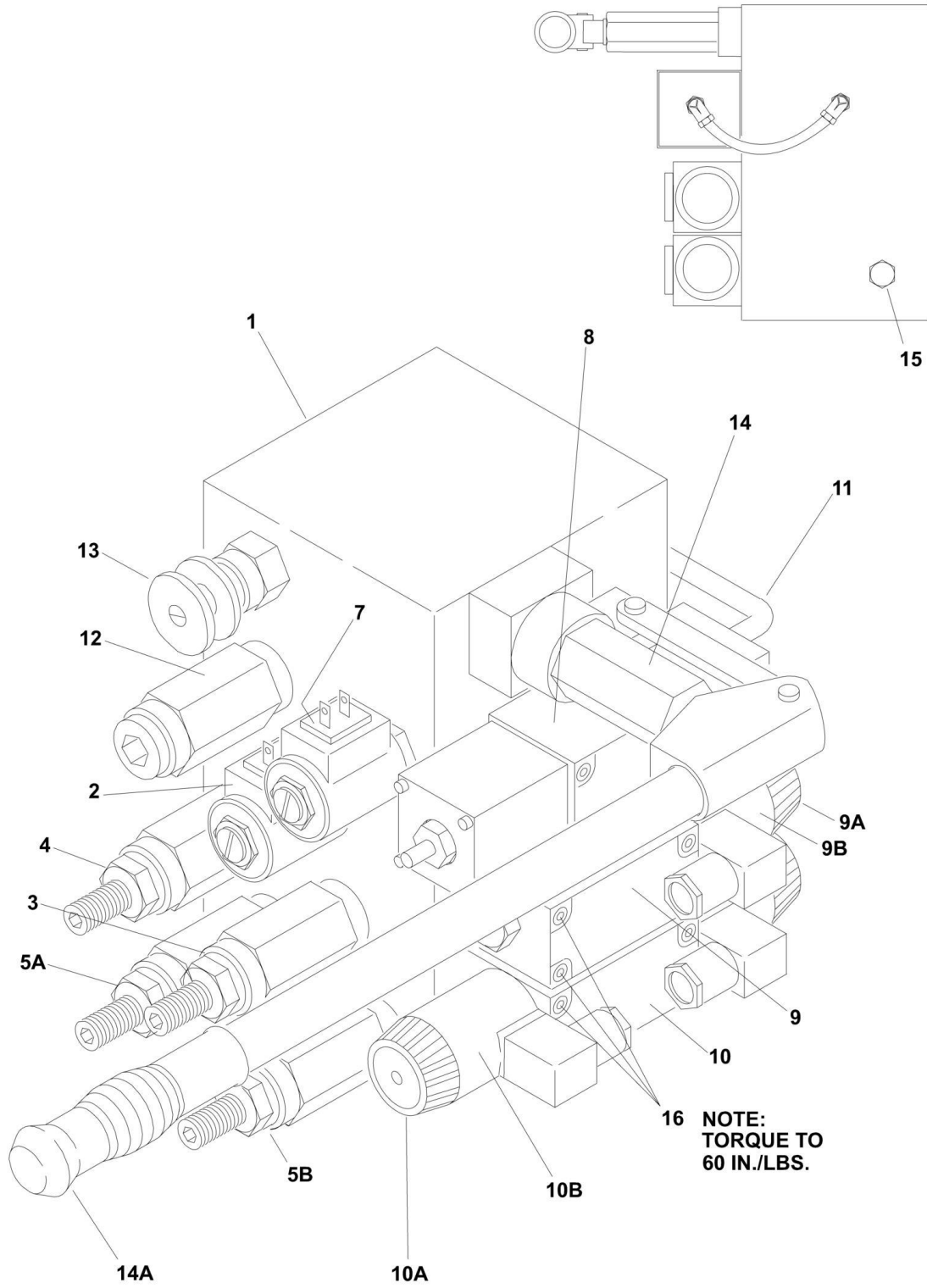
ITEM	PART NUMBER	QTY	DESCRIPTION	REV
	0259559	Ref	HYDRAULIC COMPONENTS INSTALLATION	K
		Ref	(Note: Replacement Decals must be Purchased Separately - See DECALS SECTION for Breakdown.)	
1	0100011	AR	Loctite #242 (Not Shown)	
2	0641407	AR	Bolt 1/4in-20NC x 7/8in	
3	0641506	5	Bolt 5/16in-18NC x 3/4in	
6	0651404	2	Bolt 1/4in-48NF x 1/2in	
8	1380136	2	Clip, Gripper	
9	1670926	1	Cover, Hydraulic Tray	
10	2080052	8	Fastener 1/4in-20NC	
11		Ref	Pressure Filter Assembly Options:	
11	2120146	1	With Electrical Clog Indicator	
11	2120209	1	With Manual Clog Indicator (Note: All machines equipped with 2120146 filter from the factory. However, if the filter was replaced after leaving the factory, it may have been replaced with a 2120209 filter. Check clog indicator to determine which filter is on the machine.)	
11	7023206	1	O-Ring	
11A		Ref	Element, Filter Options:	
11A	2120150	1	Element, Filter - p/n 2120146	
11A	2120210	1	Element, Filter - p/n 2120209	
11B		Ref	Indicator, Clog Options:	
11B	7016312	1	Electrical Indicator - p/n 2120146	
11B	7020020	1	Manual Indicator - p/n 2120209	
14	2940126	1	Latch	
16	3820019	2	Rivet	
17	4400426	1	Hydraulic Tank Assembly	L
17A	7014802	1	Gauge, Sight	
17B	7014811	1	Cap, Breather	
17C	7014816	1	Screen	
17C	7020256	1	Neck	
17D	7020253	1	Strainer	
17E	7014813	1	Plug, Magnetic	
17E	7014812	1	Magnet	
19	4641157	1	Main Control Valve Assembly (See MAIN CONTROL VALVE ASSEMBLY for Breakdown)	
20	4641147	1	Flow Divider Assembly (See FLOW DIVIDER VALVE ASSEMBLY for Breakdown)	
21	4711400	AR	Flatwasher 1/4in Narrow	
22	4711500	11	Flatwasher 5/16in Narrow	
23	3311405	AR	Locknut 1/4in-20NC	
24	3572229	1	Plate, Splash	
25	3310805	4	Locknut #8-32NC	
26	3311505	1	Locknut 5/16in-18NC	
27	3900289	4	Screw, Phillips Head #8-32NC	
28	3900208	1	Screw 3/8in-16NC x 1in	
30	4750800	4	Flatwasher #8	
31	4060808	6 ft/1.8m	Flex-Trim	
32	3572362	1	Plate, Cover	
33	4761500	1	Lockwasher 5/16in	
34	0641524	4	Bolt 5/16in-18NC x 3in	

SECTION 2 - GROUND COMPONENTS

ITEM	PART NUMBER	QTY	DESCRIPTION	REV
35	4568114	4	Tube, Spacer	
36	0641405	4	Bolt 1/4in-20NC x 5/8in	
37	1780317	1	Door	
38	2600147	1	Hinge, Door	
39	0641410	8	Bolt 1/4in-20NC x 1 1/4in	
		Ref	ELECTRICAL COMPONENTS INSTALLATIONS	
	0259839	Ref	Diesel Machines	D
	0259840	Ref	Diesel Machines with Leveling Jacks	A
101	0140001	1	Horn	
102		Ref	Ground Control Box Assembly Options: (See GROUND CONTROL BOX ASSEMBLY for Breakdown)	
102	0270069	1	Diesel Machines (Production)	
102	0270424	1	Diesel Machines (Post Production)	
102	0270424	1	Diesel Machines with Leveling Jacks	
103	0641404	AR	Bolt 1/4in-20NC x 1/2in	
104	0641406	4	Bolt 1/4in-20NC x 3/4in	
105	0641506	1	Bolt 5/16in-18NC x 3/4in	
106	0902590	2	Bracket, Ground Control Box	
107	3311405	AR	Locknut 1/4in-20NC	
108	3311505	1	Locknut 5/16in-18NC	
109	4751500	2	Flatwasher 5/16in	
110	4761400	4	Lockwasher 1/4in	
111		Ref	Engine and Valve Harness Options: (Not Shown - See ELECTRICAL SECTION for Breakdown)	
111	4922343	1	Diesel Machines	
111	4922441	1	Diesel Machines with Leveling Jacks	
112	4711400	1	Flatwasher 1/4in (Narrow)	

SECTION 2 - GROUND COMPONENTS

FIGURE 2-2. MAIN CONTROL VALVE ASSEMBLY



SECTION 2 - GROUND COMPONENTS

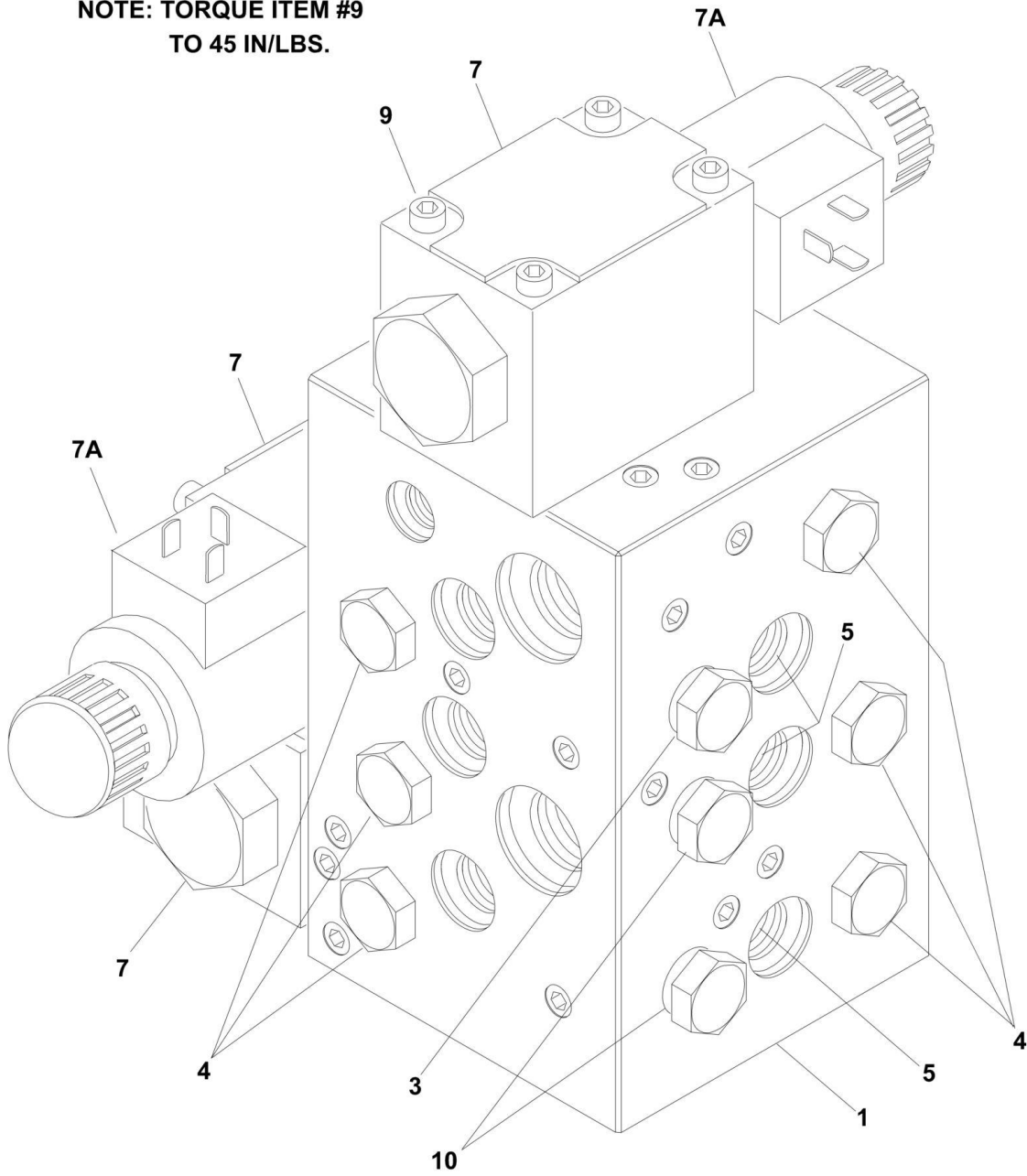
FIGURE 2-2. MAIN CONTROL VALVE ASSEMBLY

ITEM	PART NUMBER	QTY	DESCRIPTION	REV
	4641157	Ref	MAIN CONTROL VALVE ASSEMBLY	D
1	Not Serviced	1	Manifold	
2	7017410	1	Cartridge Less Coil (Dump)	
2	7012967	1	Seal Kit - 7017410 Cartridge	
2	7012944	1	Coil	
3	7017418	1	Cartridge, Relief (Lift Up)	
3	7012998	1	Seal Kit - 7017418 Cartridge	
4	7017418	1	Cartridge, Relief (Main)	
4	7012998	1	Seal Kit - 7017418 Cartridge	
5A	7021649	2	Cartridge, Relief (Steer Right)	
5A	7021651	2	Seal Kit - 7021649 Cartridge (1 Per Cartridge)	
5B	7021650	2	Cartridge, Relief (Steer Left)	
5B	7021651	2	Seal Kit - 7021650 Cartridge (1 Per Cartridge)	
6	7022527	1	Orifice 1/16in/2.0mm (Not Shown - Located on Back of Valve at Port L)	
7	7012941	1	Cartridge Less Coil (Brake Release)	
7	7010543	1	Seal Kit - 7012941 Cartridge	
7	7012944	1	Coil	
8	7018901	1	Valve Assembly	
8	7022531	1	Seal Kit	
9	7022529	1	Valve Assembly (Lift)	
9	7012773	1	Seal Kit	
9A	7021375	1	Nut	
9B	7021376	1	Coil	
10	7022530	1	Valve Assembly (Steer)	
10	7012773	2	Seal Kit	
10A	7021375	2	Nut	
10B	7021376	2	Coil	
11	7018903	1	Tube Assembly	
11	7018904	1	Fitting, Straight	
12	7021646	1	Cartridge, Check	
12	7012998	1	Seal Kit - 7021646 Cartridge	
13	7021629	1	Cartridge, Needle Valve	
13	7012953	1	Seal Kit - 7021629 Cartridge	
14	7023208	1	Valve Assembly (Manual Descent)	
14	7023209	1	Seal Kit - 7023208 Cartridge	
14A	7023210	1	Handle	
15	7010542	1	Cartridge	
15	7010543		Seal Kit - 7010542 Cartridge	
16	7018942	12	Capscrew, Socket Head #10-24NC x 2in	

SECTION 2 - GROUND COMPONENTS

FIGURE 2-3. FLOW DIVIDER VALVE ASSEMBLY

NOTE: TORQUE ITEM #9
TO 45 IN/LBS.



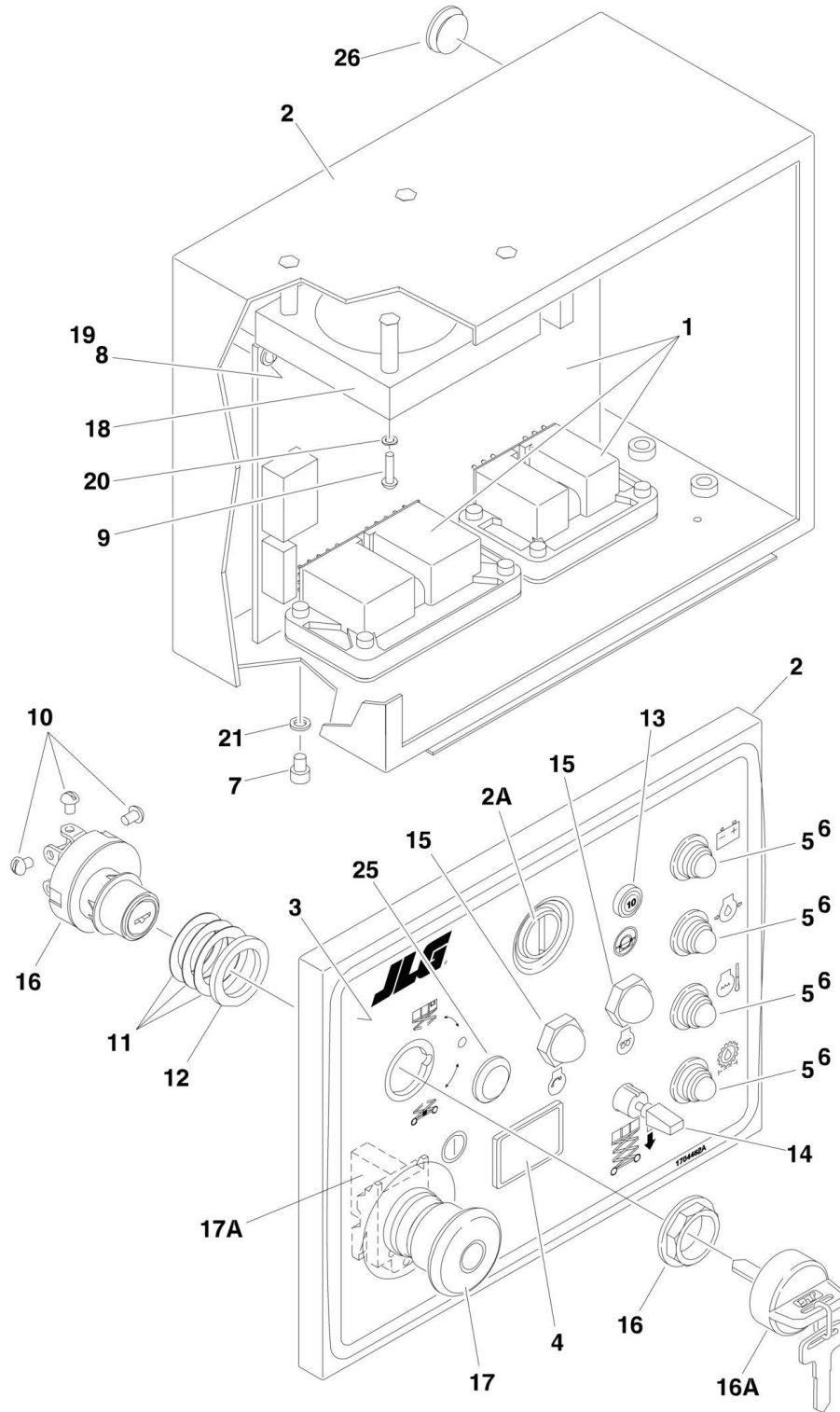
SECTION 2 - GROUND COMPONENTS

FIGURE 2-3. FLOW DIVIDER VALVE ASSEMBLY

ITEM	PART NUMBER	QTY	DESCRIPTION	REV
	4641147	Ref	FLOW DIVIDER VALVE ASSEMBLY	C
1	Not Serviced	1	Block	
3	7023810	1	Cartridge (Reverse)	
3	7011344	1	Seal Kit - 7023810 Cartridge	
4	7012975	6	Cartridge	
4	7012967	6	Seal Kit - 7012975 Cartridge	
5	7022524	3	Orifice (.5mm)	
7	7022528	3	Valve Assembly	
7	7012773	3	Seal Kit - Valve Assembly	
7A	7021376	3	Coil	
9	7018942	12	Capscrew, Socket Head #10-24NC x 2in	
10	7023809	2	Cartridge (Forward)	
10	7011344	2	Seal Kit - 7023809 Cartridge	

SECTION 2 - GROUND COMPONENTS

FIGURE 2-4. GROUND CONTROL BOX ASSEMBLY



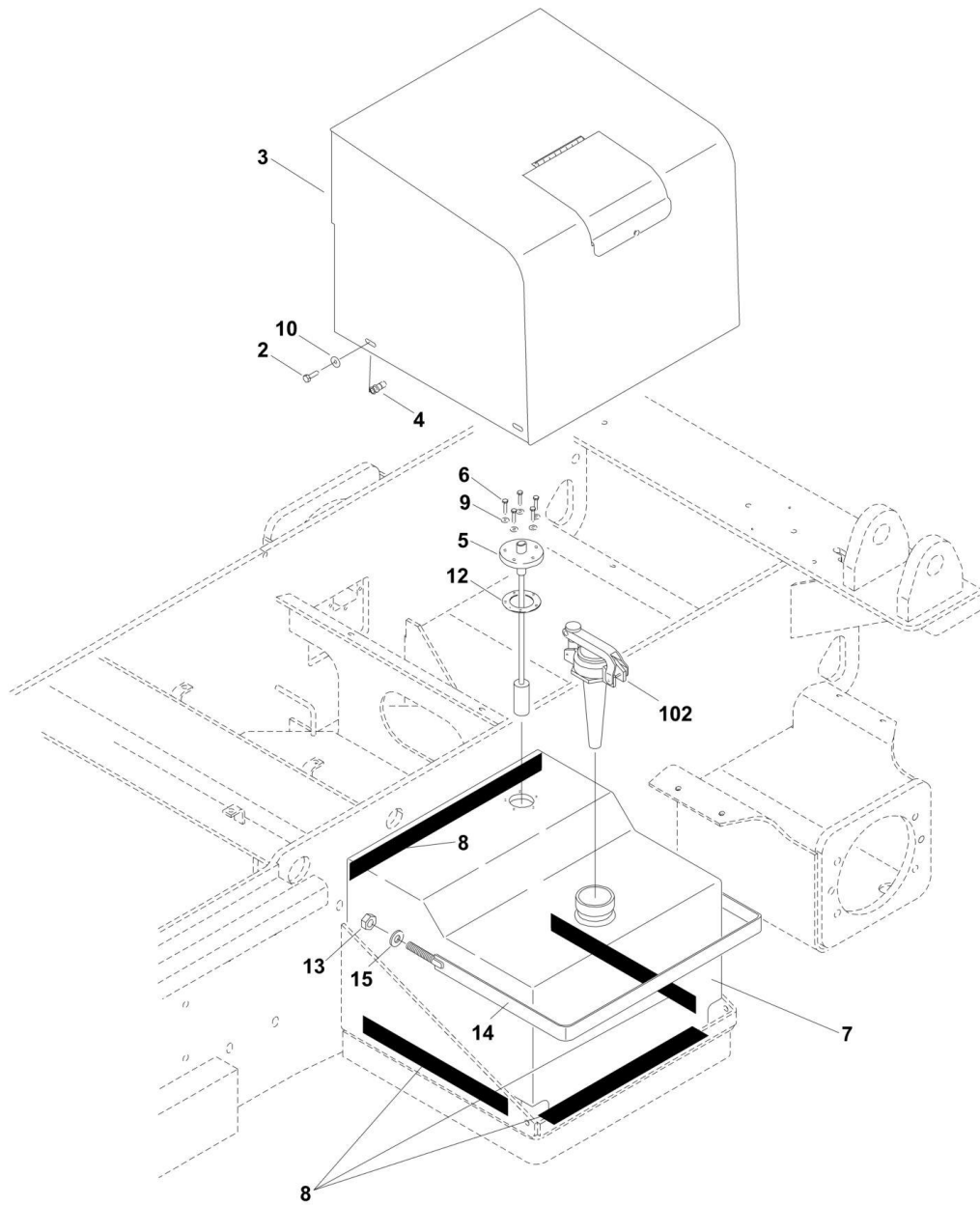
SECTION 2 - GROUND COMPONENTS

FIGURE 2-4. GROUND CONTROL BOX ASSEMBLY

ITEM	PART NUMBER	QTY	DESCRIPTION	REV
		Ref	GROUND CONTROL BOX ASSEMBLY OPTIONS:	
	0270069	Ref	Diesel Machines (Production)	K
	0270424	Ref	Diesel Machines (Post Production)	K
	0270424	Ref	Diesel Machines with Leveling Jacks	K
1		Ref	Circuit Board Options:	
1	0610140	1	Diesel Machines (Production)	
1	0610134	1	Diesel Machines (Post Production)	
1	0610134	1	Diesel Machines with Leveling Jacks	
2	0861315	1	Box Assembly	
2A	Not Available	1	Latch	
3		Ref	Decal Options:	
3	1704462	1	Decal (Prior to SN 112399)	
3	1705729	1	Decal (SN 112399 to Present)	
4	2420172	1	Gauge, Hourmeter	
5	2920026	4	Holder, Bulb	
6	2920029	4	Bulb, Light	
7	3900281	8	Screw, Socket Head	
8	3910606	3	Screw #6-32NC x 3/8	
9	3910616	4	Screw #6-32NC x 1in	
10	3910804	3	Screw #8 x 1/4in	
11	4070987	3	Shim (.015)	
12	4070991	1	Shim (.125)	
13	4360070	1	Breaker, Circuit - 15Amp	
14	4360328	1	Switch, Toggle	
15	4360387	2	Switch, Push Button	
16	4360470	1	Switch, Key	
16A	2860030	1	Key, Replacement (Set of 2)	
17	4360475	1	Switch, Mushroom	
17	7020175	1	Ring, Sealing	
17A	7020176	1	Block, Contact	
18	4360481	1	Block, Switch - Dual Axis	
19	4750600	3	Flatwasher #6	
20	4760600	4	Lockwasher #6	
21	4761000	8	Lockwasher #10	
22	4922378	1	Harness, Ground Control Box (Not Shown - See ELECTRICAL SECTION for Breakdown)	
23	4922339	1	Harness, Tilt (Not Shown - See ELECTRICAL SECTION for Breakdown)	
25	3520193	1	Plug (SN 112399 to Present)	
26	3520030	1	Plug, Hole (Post Production)	

SECTION 2 - GROUND COMPONENTS

FIGURE 2-5. FUEL COMPARTMENT INSTALLATION



SECTION 2 - GROUND COMPONENTS

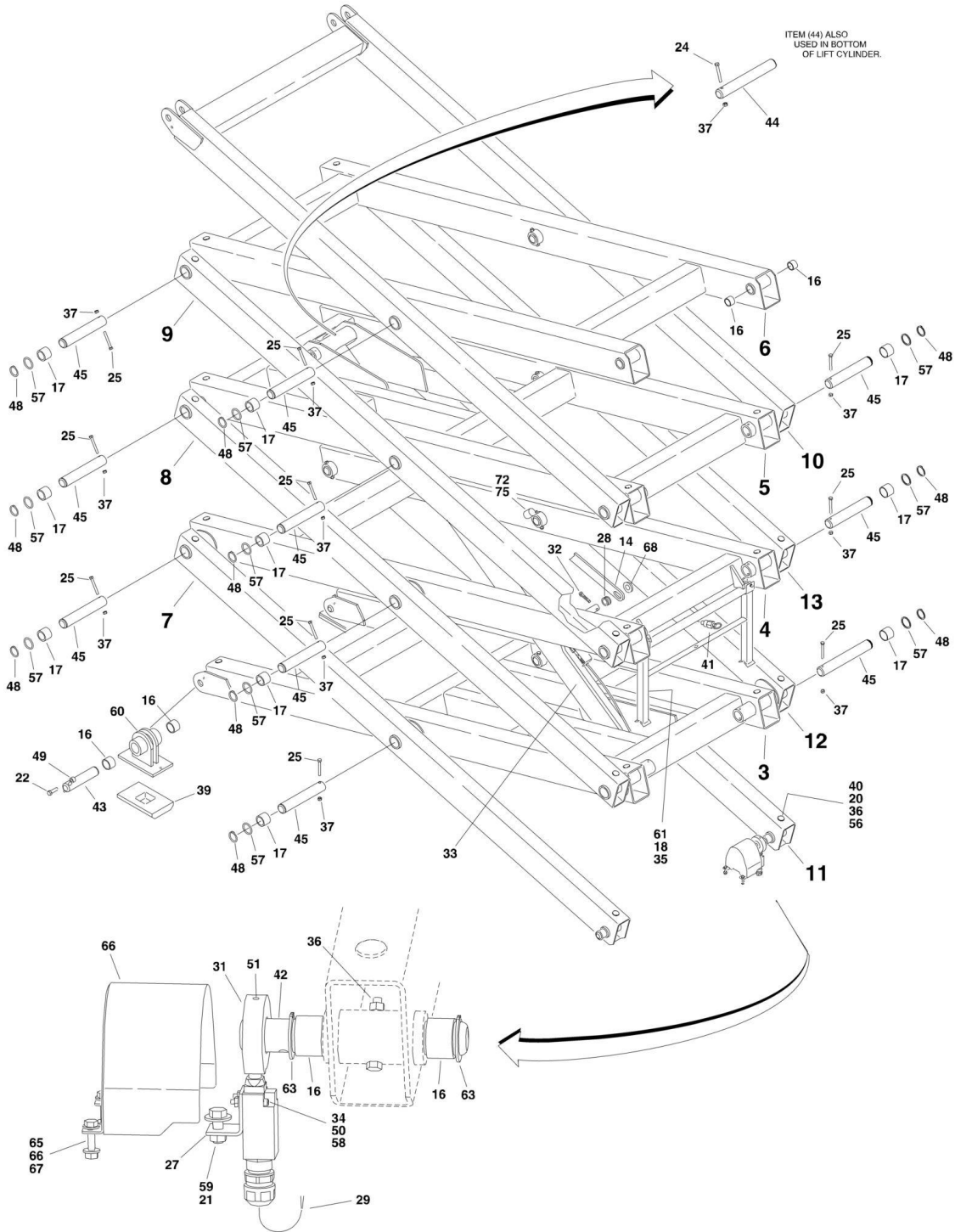
FIGURE 2-5. FUEL COMPARTMENT INSTALLATION

ITEM	PART NUMBER	QTY	DESCRIPTION	REV
	0259560	Ref	FUEL TANK INSTALLATION	F
1	0100011	AR	Loctite #242 (Not Shown)	
2	0641407	4	Bolt 1/4in-20NC x 7/8in	
3	1670931	1	Cover, Fuel Tank	
4	2080052	4	Fastener 1/4in-20NC	
5	2420191	1	Gauge/Sender, Fuel Level	
6	3900128	5	Screw, Round Head	
7	4400427	1	Fuel Tank Assembly	
7	See Item 102	1	Cap, Tank	
8	4420037	52 in/1.3m	Tape, Padded	
9	4751000	5	Flatwasher #10	
10	4751400	4	Flatwasher 1/4in	
12	3960525	1	Gasket, Fuel Gauge	
13	3311601	2	Nut 3/8in-16NC	
14	4240139	1	Strap, Tank Mounting	
15	4711600	2	Flatwasher 3/8in (Narrow)	
		Ref	FUEL TANK CAP OPTIONS:	
	4400427	Ref	Standard Tank Cap	D
	0259613	Ref	Optional Locking Tank Cap	B
101	0100020	AR	Sealant, Pipe (Not Shown - Locking Cap only)	
102		Ref	Cap Options:	
102	7020257	1	Standard Cap	
102	1120485	1	Locking Cap	

SECTION 3 - SCISSOR ARMS

SECTION 3 - SCISSOR ARMS

FIGURE 3-1. SCISSOR ARMS INSTALLATION - 330CRT



SECTION 3 - SCISSOR ARMS

FIGURE 3-1. SCISSOR ARMS INSTALLATION - 330CRT

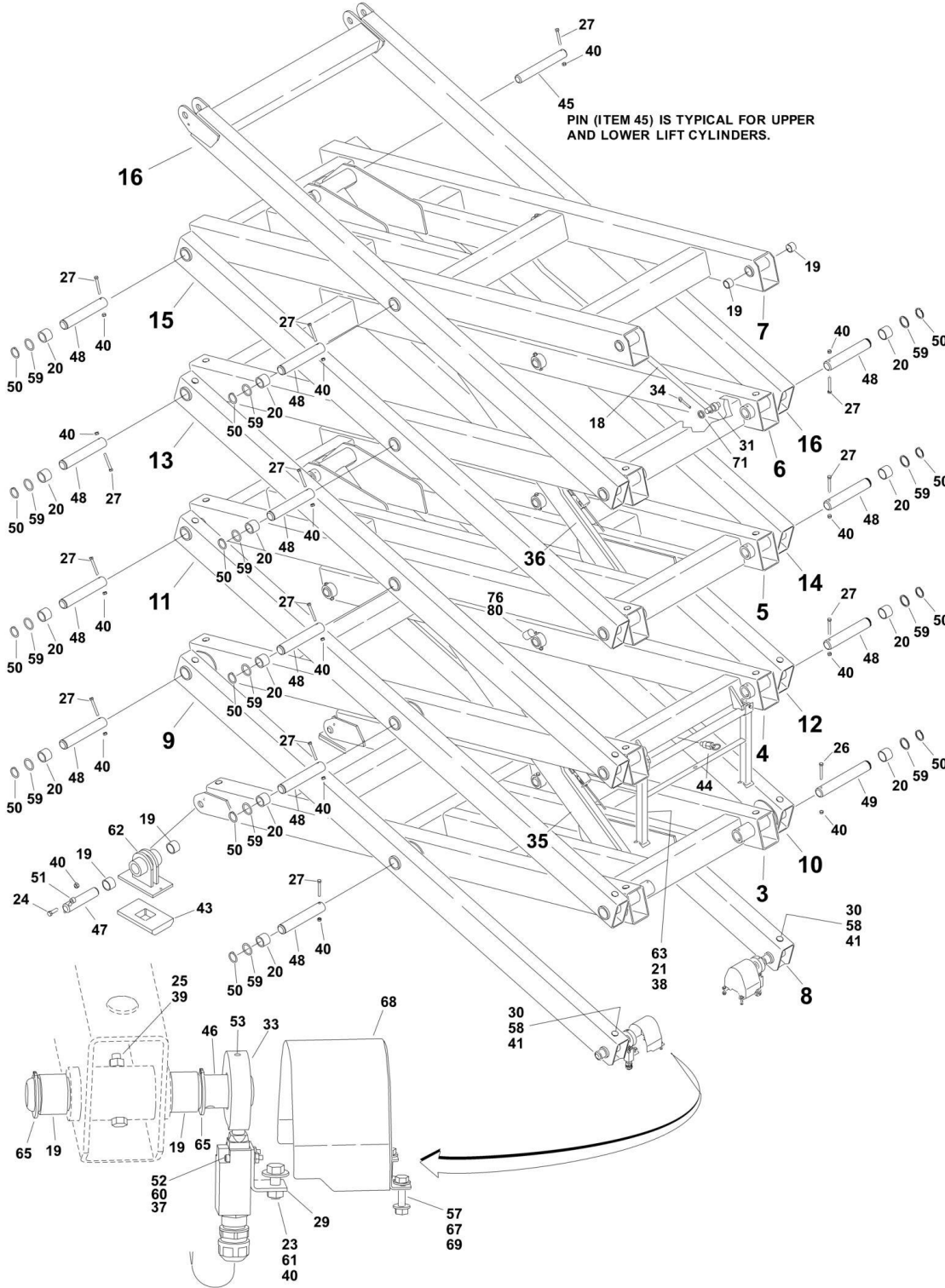
ITEM	PART NUMBER	QTY	DESCRIPTION	REV
	0259105	Ref	SCISSOR ARMS INSTALLATION - 330CRT	K
2	0100011	AR	Loctite #242 (Not Shown)	
3	0200654	1	Arm Weldment (Bottom Inboard)	
4	0200655	1	Arm Weldment (Lower Mid Inboard)	
5	0200656	1	Arm Weldment (Upper Mid Inboard)	
6	0200657	1	Arm Weldment (Top Inboard)	
7	0200658	1	Arm Weldment (Bottom Left Side Outboard)	
8	0200659	1	Arm Weldment (Lower Mid Left Side Outboard)	
9	0200660	1	Arm Weldment (Upper Mid Left Side Outboard)	
10	0200661	1	Arm Weldment (Top Outboard)	
11	0200667	1	Arm Weldment (Bottom Right Side Outboard)	
12	0200668	1	Arm Weldment (Lower Mid Right Side Outboard)	
13	0200669	1	Arm Weldment (Upper Mid Right Side Outboard)	
14	0362840	1	Bar, Cable Carrier	
15	0362841	1	Bar, Cable Carrier	
16	0440234	AR	Bushing	
17	0440236	AR	Bushing	
18	0641418	2	Bolt 1/4in-20NC x 2 1/4in	
20	0641510	AR	Bolt 5/16in-18NC x 1 1/4in	
21	0641608	1	Bolt 3/8in-16NC x 1in	
22	0641610	2	Bolt 3/8in-16NC x 1 1/4in	
23	0681520	2	Bolt 5/16in-18NC x 2 1/2in (Grade 8)	
24	0681622	2	Bolt 3/8in-16NC x 2 3/4in (Grade 8)	
25	0681624	20	Bolt 3/8in-16NC x 3in (Grade 8)	
27	0902540	1	Bracket, Limit Switch	
28	4740480	4	Washer, Plastic Insert	
29		Ref	Harness, Limit Switch Options: (See ELECTRICAL SECTION for Breakdown)	
29	4922630	1	Harness, Limit Switch (Was p/n 1060868) (Prior to SN 101118)	
29	4922630	1	Harness, Limit Switch (SN 101118 to Present)	
31	1100110	1	Cam, Activator	
32	3450304	4	Pin, Cotter	
33	1683858	1	Lift Cylinder Assembly (See CYLINDERS SECTION for Breakdown)	
34	3311805	2	Locknut #8-32NC	
35	3300151	2	Nut, Acorn 1/4in-20NC	
36	3311505	AR	Locknut 5/16in-18NC	
37	3311605	25	Locknut 3/8in-16NC	
39	3340856	2	Pad, Slide	
40	3340866	AR	Pad, Arm	
41	3422369	1	Pin, Plunger	
42	3422821	2	Pin, Pivot	
43	3422822	2	Pin, Pivot	
44	3422778	2	Pin, Pivot	
45	3422825	16	Pin, Pivot	
46	3422826	4	Pin, Pivot	
48	3760420	20	Ring, Retaining	
49	3841143	2	Keeper, Pin	
50	3930820	2	Screw, Socket Head #8-32NC x 1 1/4in	
51	3951603	2	Setscrew, Socket Head 3/8in-16NC x 3/8in	

SECTION 3 - SCISSOR ARMS

ITEM	PART NUMBER	QTY	DESCRIPTION	REV
56	4711500	AR	Flatwasher 5/16in Narrow	
57	4740332	20	Washer, Special	
58	4750800	2	Flatwasher #8	
59	4751600	1	Flatwasher 3/8in	
60	4845986	2	Slider Weldment (Bottom)	
61	4846020	1	Prop, Safety	
62	4922321	1	Harness, Lift Down (Not Shown - See ELECTRICAL SECTION for Breakdown)	
63	3760387	4	Ring, Retaining	
65	0641408	2	Bolt 1/4in-20NC x 1in	
66	1670965	1	Cover, Limit Switch	
67	3311405	2	Locknut 1/4in-20NC	
68	4751500	4	Flatwasher 5/16in	
70	3020022	AR	Grease, Lithium (Not Shown)	
72	1320110	1	Clamp	
75	4711600	1	Flatwasher 3/8in	
	2901930	1	Arm Kit - (Includes Items - 3 thru 13, 16, 17, 20, 36, 40 & 56)	

SECTION 3 - SCISSOR ARMS

FIGURE 3-2. SCISSOR ARMS INSTALLATION - 400CRT



SECTION 3 - SCISSOR ARMS

FIGURE 3-2. SCISSOR ARMS INSTALLATION - 400CRT

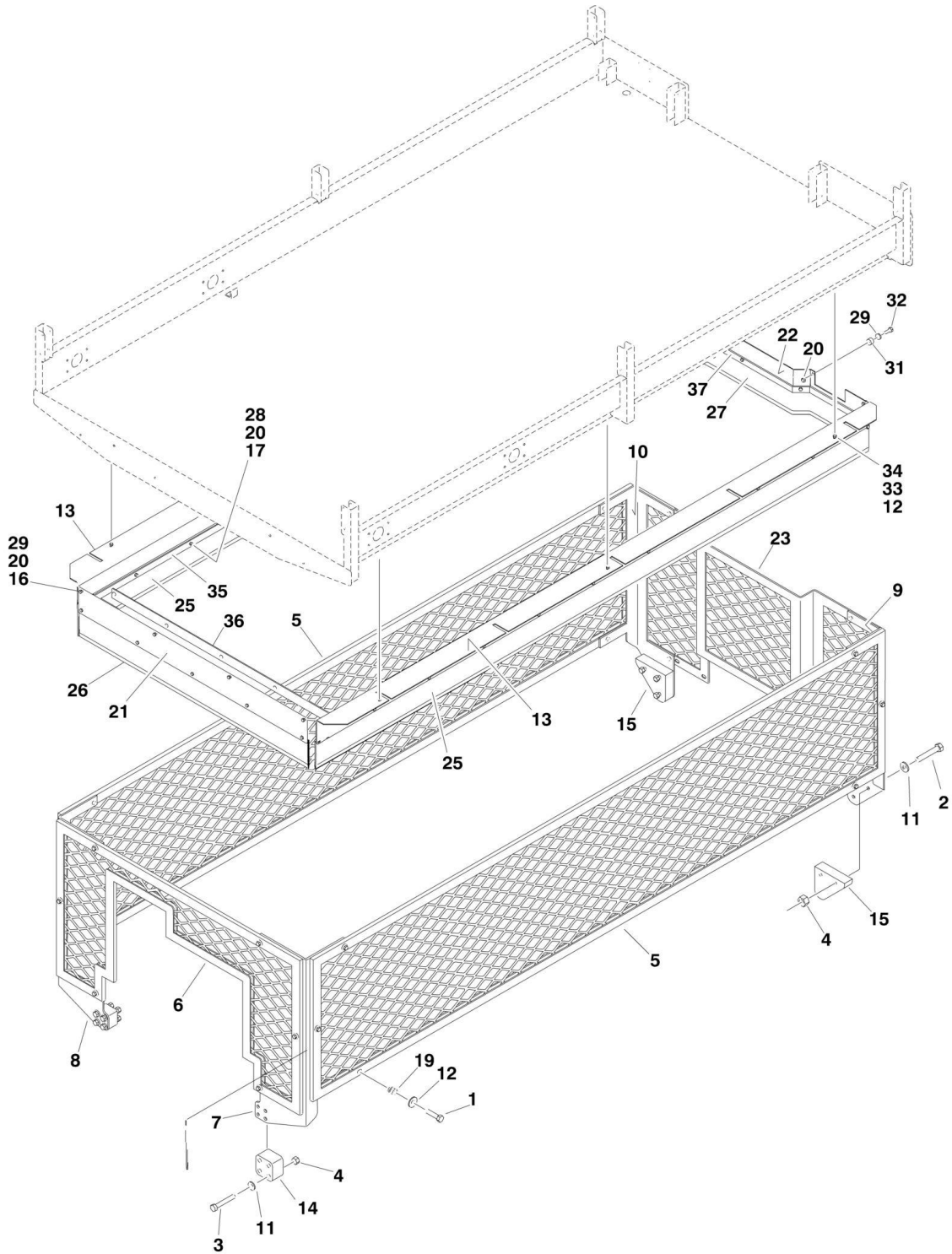
ITEM	PART NUMBER	QTY	DESCRIPTION	REV
	0259561	Ref	SCISSOR ARMS INSTALLATION - 400CRT	J
2	0100011	AR	Loctite #242 (Not Shown)	
3	0200683	1	Arm Weldment (Bottom Inboard)	
4	0200684	1	Arm Weldment (Lower Mid Inboard)	
5	0200685	1	Arm Weldment (Center Mid Inboard)	
6	0200686	1	Arm Weldment (Upper Mid Inboard)	
7	0200687	1	Arm Weldment (Top Inboard)	
8	0200688	1	Arm Weldment (Bottom Right Side Outboard)	
9	0200689	1	Arm Weldment (Bottom Left Side Outboard)	
10	0200690	1	Arm Weldment (Lower Mid Right Side Outboard)	
11	0200691	1	Arm Weldment (Lower Mid Left Side Outboard)	
12	0200692	1	Arm Weldment (Center Mid Right Side Outboard)	
13	0200693	1	Arm Weldment (Center Mid Left Side Outboard)	
14	0200694	1	Arm Weldment (Upper Mid Right Side Outboard)	
15	0200695	1	Arm Weldment (Upper Mid Left Side Outboard)	
16	0200696	1	Arm Weldment (Top Outboard)	
18	0362841	1	Bar, Cable Carrier	
19	0440234	AR	Bushing	
20	0440236	AR	Bushing	
21	0641418	2	Bolt 1/4in-20NC x 2 1/4in	
23	0641608	2	Bolt 3/8in-16NC x 1in	
24	0641610	2	Bolt 3/8in-16NC x 1 1/4in	
25	0681520	2	Bolt 5/16in-18NC x 2 1/2in (Grade 8)	
26	0681622	4	Bolt 3/8in-16NC x 2 3/4in (Grade 8)	
27	0681624	26	Bolt 3/8in-16NC x 3in (Grade 8)	
29	0902540	2	Bracket, Limit Switch	
30	0940090	AR	Bumper, Arm Spacer	
31	4740480	4	Washer, Plastic Insert	
32		Ref	Harness, Limit Switch Options: (See ELECTRICAL SECTION for Breakdown)	
32	4922630	2	Harness, Limit Switch (Was p/n 1060868) (Prior to SN 101118)	
32	4922630	2	Harness, Limit Switch (SN 101118 to Present)	
33	1100110	2	Cam, Activator	
34	3450304	4	Pin, Cotter	
35	1683891	1	Lift Cylinder Assembly - Lower (See CYLINDERS SECTION for Breakdown)	
36	1683892	1	Lift Cylinder Assembly - Upper (See CYLINDERS SECTION for Breakdown)	
37	3311805	4	Locknut #8-32NC	
38	3300151	2	Nut, Acorn 1/4in-20NC	
39	3311505	2	Locknut 5/16in-18NC	
40	3311605	34	Locknut 3/8in-16NC	
41	3311401	AR	Nut 1/4in-20NC	
43	3340856	2	Pad, Slide	
44	3422369	1	Pin, Plunger	
45	3422778	4	Pin, Pivot	
46	3422821	2	Pin, Pivot	
47	3422822	2	Pin, Pivot	
48	3422825	24	Pin, Pivot	
49	3422826	2	Pin, Pivot	

SECTION 3 - SCISSOR ARMS

ITEM	PART NUMBER	QTY	DESCRIPTION	REV
50	3760420	26	Ring, Retaining	
51	3841143	2	Keeper, Pin	
52	3930820	4	Screw, Socket Head #8-32NC x 1 1/4in	
53	3951603	4	Setscrew, Socket Head 3/8in-16NC x 3/8in	
57	4711400	8	Flatwasher 1/4in Narrow	
58	4711500	AR	Flatwasher 5/16in Narrow	
59	4740332	26	Washer, Special	
60	4750800	4	Flatwasher #8	
61	4751600	2	Flatwasher 3/8in	
62	4845986	2	Slider Weldment (Bottom)	
63	4846020	1	Prop, Safety	
64	4922345	1	Harness, Lift Down (Not Shown - See ELECTRICAL SECTION for Breakdown)	
65	3760387	4	Ring, Retaining	
67	0641408	4	Bolt 1/4in-20NC x 1in	
68	1670965	2	Cover, Limit Switch	
69	3311405	4	Locknut 1/4in-20NC	
71	4751500	4	Flatwasher 5/16in (Wide)	
73	3020022	AR	Lube, Lithium Grease (Not Shown)	
76	1320110	1	Clamp	
80	4711600	1	Flatwasher 3/8in	
	2901931	1	Arm Kit - (Includes Items - 3 thru 16, 19, 20, 30, 41 & 58)	

SECTION 3 - SCISSOR ARMS

FIGURE 3-3. ARM GUARDS INSTALLATION



SECTION 3 - SCISSOR ARMS

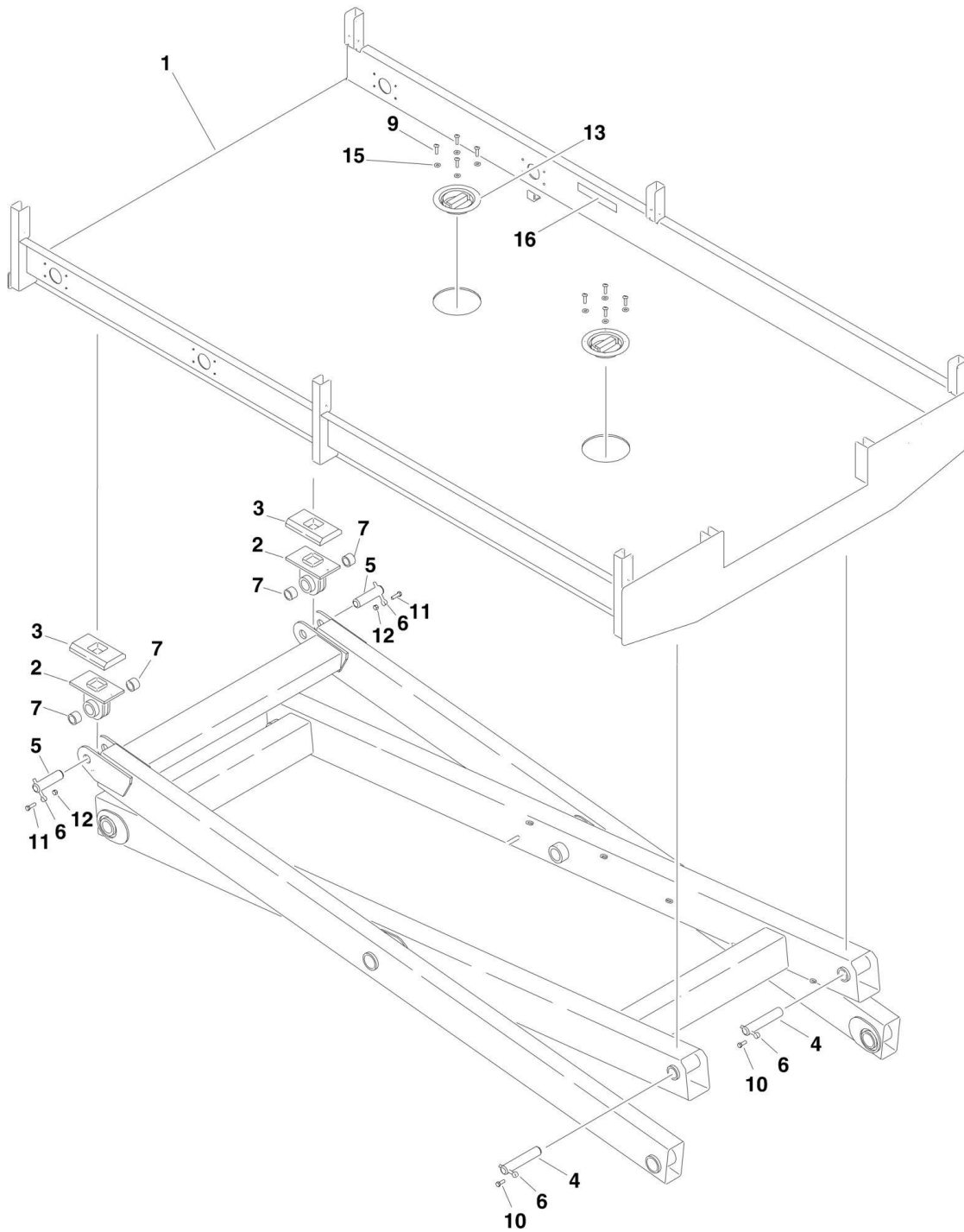
FIGURE 3-3. ARM GUARDS INSTALLATION

ITEM	PART NUMBER	QTY	DESCRIPTION	REV
	0259594	Ref	ARM GUARDS INSTALLATION	E
1	0641612	24	Bolt 3/8in-16NC x 1 1/2in	
2	0641824	6	Bolt 1/2in-13NC x 3in	
3	0641826	4	Bolt 1/2in-13NC x 3 1/4in	
4	3311805	10	Locknut #8-32NC	
5	4061013	AR	Shield (Side)	
6	4061014	AR	Shield (Front)	
7	4340715	AR	Support (Front Left)	
8	4340716	AR	Support (Front Right)	
9	4340717	AR	Support (Rear Left)	
10	4340718	AR	Support (Rear Right)	
11	4711800	10	Flatwasher 1/2in Narrow	
12	4751600	30	Flatwasher 3/8in	
13	0182008	AR	Angle	
14	0561410	2	Block, Spacer	
15	0561411	2	Block, Spacer	
16	0641405	4	Bolt 1/4in-20NC x 5/8in	
17	0641407	32	Bolt 1/4in-20NC x 7/8in	
19	2080056	24	Fastener, Insert 3/8in-16NC	
20	3311405	40	Locknut 1/4in-20NC	
21	3572410	AR	Plate (Front)	
22	3572411	AR	Plate (Rear)	
23	4061015	AR	Shield (Rear)	
25	4280311	2	Strip, Rubber (Side)	
26	4280312	1	Strip, Rubber (Front)	
27	4280313	1	Strip, Rubber (Rear)	
28	4711400	32	Flatwasher 1/4in Narrow	
29	4751400	8	Flatwasher 1/4in	
31	0561415	4	Block, Spacer	
32	0641409	4	Bolt 1/4in-20NC x 1 1/8in	
33	0641607	6	Bolt 3/8in-16NC x 7/8in	
34	2080058	6	Fastener, Insert	
35	3572449	AR	Plate, Backing	
36	3572450	AR	Plate, Backing	
37	3572452	AR	Plate, Backing	
38	0100011	AR	Loctite #242 (Not Shown)	
	2902126	1	Support Kit - Includes Items 7 thru 10	
	2902127	1	Arm Guard Kit - Includes Items 5, 6, 13, 21, 22, 23, 35, 36 & 37	

SECTION 4 - PLATFORM

SECTION 4 - PLATFORM

FIGURE 4-1. PLATFORM AND ACCESSORIES INSTALLATION



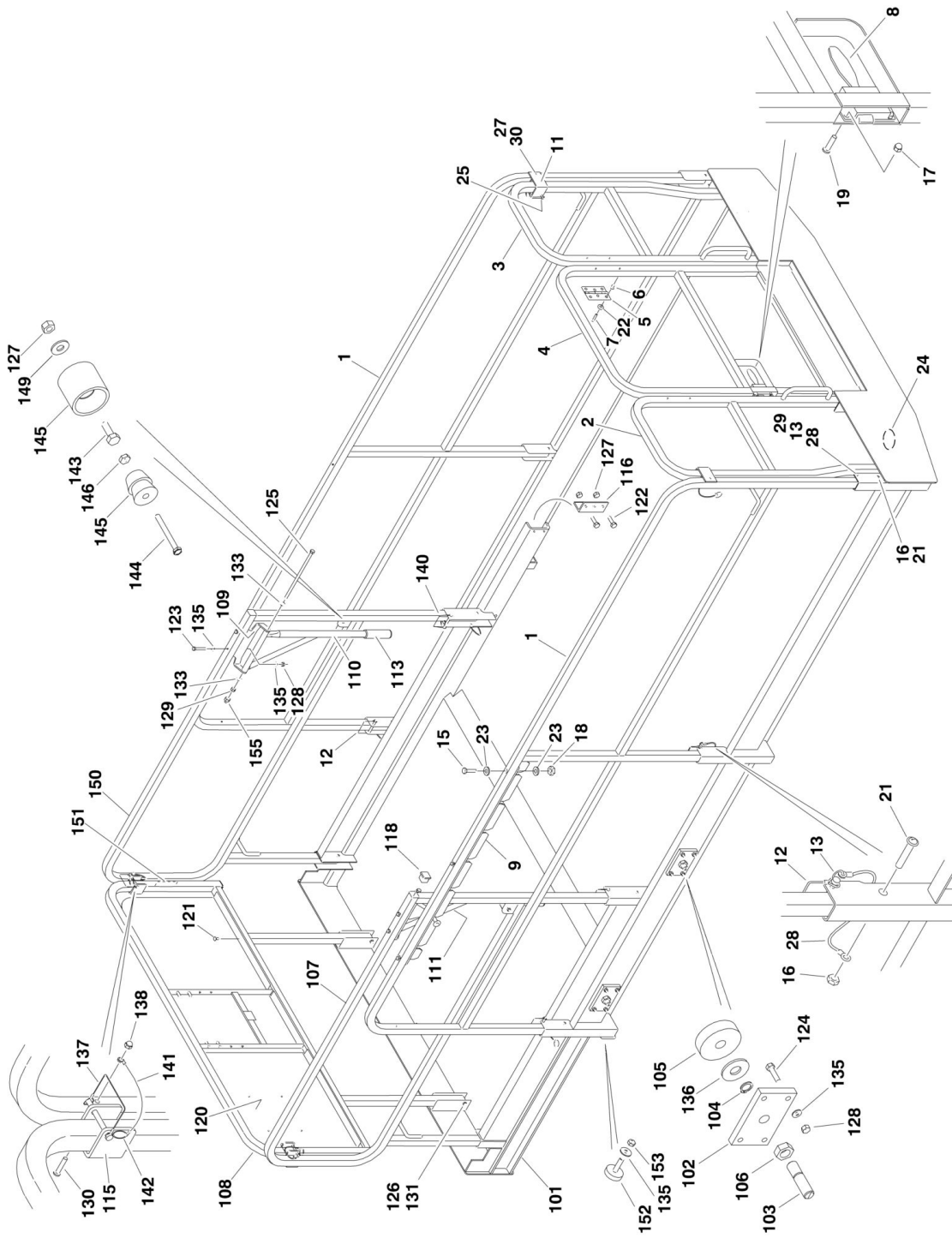
SECTION 4 - PLATFORM

FIGURE 4-1. PLATFORM AND ACCESSORIES INSTALLATION

ITEM	PART NUMBER	QTY	DESCRIPTION	REV
		Ref	PLATFORM INSTALLATION OPTIONS:	
	0259563	Ref	Platform without D-Rings	B
	0259564	Ref	Platform with D-Rings	C
		Ref	Note: Replacement Decals must be Purchased Separately - See DECALS SECTION for Breakdown.	
1		Ref	Platform Weldment Options:	
1	3510723	1	Platform without D-Rings	
1	3510734	1	Platform with D-Rings	
2	4845987	2	Slider Weldment	
3	3340856	2	Block, Slide Pad	
4	3422823	2	Pin, Pivot	
5	3422824	2	Pin, Slider	
6	3841143	4	Keeper, Pin	
7	0440234	4	Bearing	
8	0100011	AR	Loctite #242 (Not Shown)	
9	0630476	AR	Screw, Button Head	
10	0641608	2	Bolt 3/8in-16NC x 1in	
11	0641610	2	Bolt 3/8in-16NC x 1in	
12	3311605	2	Locknut 3/8in-16NC	
13	3760321	2	D-Ring, Swivel (Platform with D-Rings Only)	
15	4711500	AR	Flatwasher 5/16in	
16	1703175	2	Decal - Lanyard (Platforms with D-Rings Only)	

SECTION 4 - PLATFORM

FIGURE 4-2. FOLDDOWN HANDRAILS AND EXTENSION INSTALLATION (MANUALLY OPERATED PLATFORM)



SECTION 4 - PLATFORM

FIGURE 4-2. FOLDDOWN HANDRAILS AND EXTENSION INSTALLATION (MANUALLY OPERATED PLATFORM)

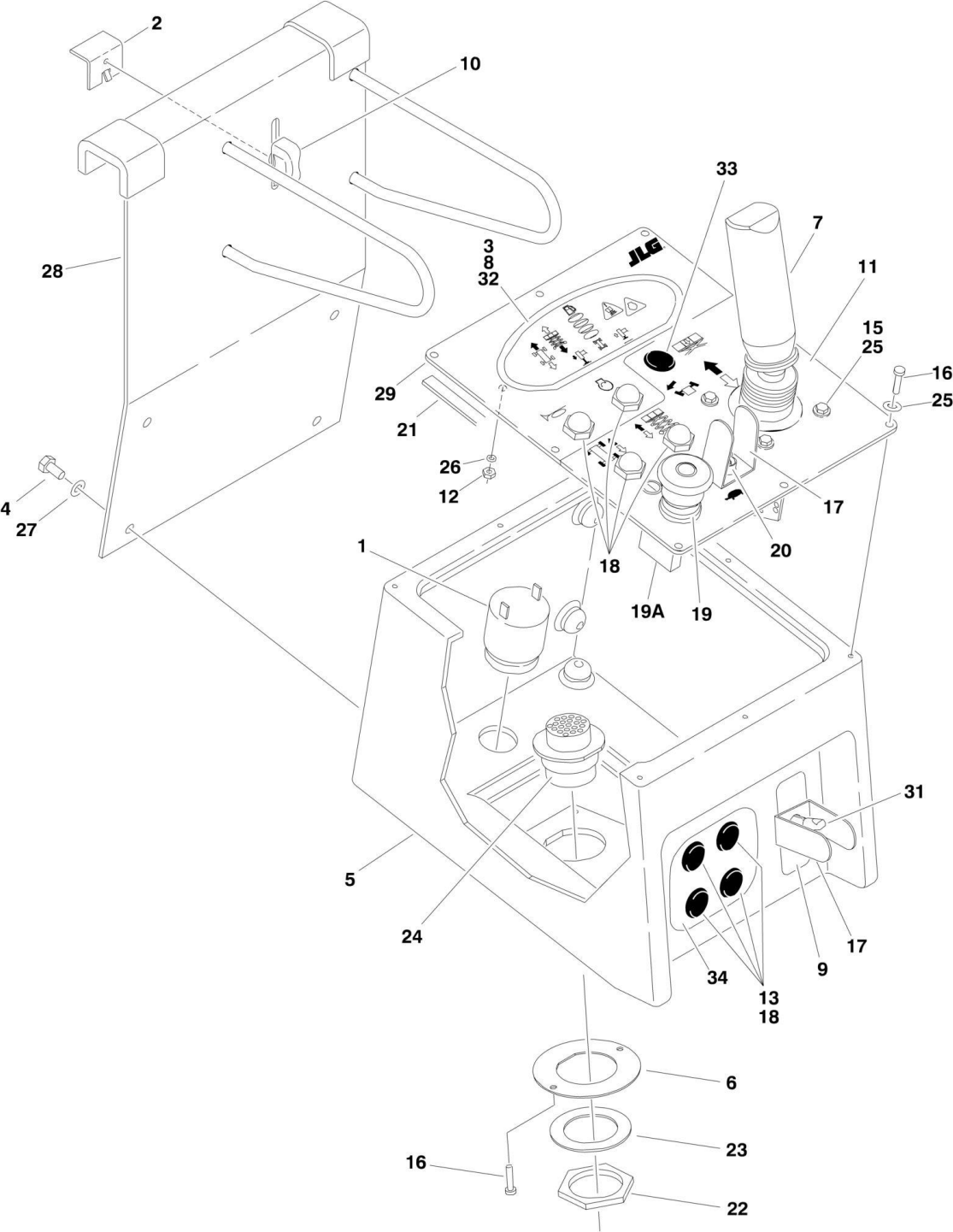
ITEM	PART NUMBER	QTY	DESCRIPTION	REV
		Ref	FOLDDOWN HANDRAILS INSTALLATIONS	
	0259568	Ref	Self-Closing Welded Gate	H
		Ref	Note: Replacement Decals must be Purchased Separately - See DECALS SECTION for Breakdown.	
1	4846123	2	Side Rail Weldment	
2	4846125	1	Rear Rail Weldment (Right Side)	
3	4846124	1	Rear Rail Weldment (Left Side)	
4	4846122	1	Gate Weldment	
5	2600253	2	Hinge	
6	2080069	12	Fastener #10-32NF	
7	3900267	12	Screw, Socket Head	
8	2940074	1	Latch	
9	3571829	1	Plate, Latch	
11	0901870	2	Bracket	
12	3421565	AR	Pin, Snap	
13	3760170	AR	Ring, Split	
15	0641516	3	Bolt 5/16in-18NC x 2in	
16	3300356	10	Nut, Acorn 5/16in-18NC	
17	3300432	4	Nut, Acorn #10-24NC	
18	3311505	3	Locknut 5/16in-18NC	
19	3911010	4	Screw	
20	2820097	2 ft/.6m	Tubing, Mesh	
21	3911532	9	Screw 5/16in-19NC x 2in	
22	4751000	AR	Flatwasher #10	
23	4751500	6	Flatwasher 5/16in	
24	2540020	1	Grommet	
25	3422219	2	Pin, Snap	
26	0100011	AR	Loctite #242 (Not Shown)	
27	3300151	AR	Nut, Acorn 1/4in-20NC	
28	1060808	AR	Lanyard	
29	3911536	1	Screw 5/16in-18NC x 2 1/4in	
30	3911428	2	Screw 1/4in-20NC x 1 3/4in	
31	1320061	1	Clamp, Hose (Not Shown)	
	0259565	Ref	PLATFORM EXTENSION INSTALLATION	H
		Ref	Note: Replacement Decals must be Purchased Separately - See DECALS SECTION for Breakdown.	
101	4846117	1	Extension Weldment	
102	3537619	4	Mounting Weldment - Roller	
103	3841233	4	Rod, Roller	
104	3760348	4	Ring, Retaining	
105	3860059	4	Roller, Extension	
106	3322202	4	Nut, Jam 3/4in	
107	4846121	1	Side Rail Weldment (Left Side)	
108	4846120	1	Front Rail Weldment	
109	3537609	2	Plate, Pivot	
110	4846191	1	Handle Weldment (Right Side)	
111	4846181	1	Handle Weldment (Left Side)	
113	2560088	2	Handle	
115	0901870	2	Bracket	

SECTION 4 - PLATFORM

ITEM	PART NUMBER	QTY	DESCRIPTION	REV
116		Ref	Angle, Extension Stop Options:	
116	0181684	2	Angle, Extension Stop (Prior to SN 106729)	
116	0182035	2	Angle, Extension Stop (SN 106729 to Present)	
117	3020022	AR	Grease, Lithium (Not Shown)	
118	3520072	4	Cap-Plug	
120	3571862	1	Plate, Placard	
121	3820020	7	Rivet	
122		Ref	Bolt Options:	
122	0641407	4	Bolt (Bolt 1/4in-20NC x 7/8in) (Prior to SN 106729)	
122	0681508	4	Bolt (Bolt 5/16-18NC x 1in) (SN 106729 to Present)	
123	0641516	4	Bolt 5/16in-18NC x 2in	
124	0641510	16	Bolt 5/16in-18NC x 1 1/4in	
125	0641676	2	Bolt 3/8in-16NC x 9 1/2in	
126	3300356	6	Nut, Acorn 5/16in-18NC	
127		Ref	Nut Options:	
127	3311405	6	Nut (Locknut 1/4in-20NC) (Prior to SN 106729)	
127	3311405	2	Nut (Locknut 1/4in-20NC) (SN 106729 to Present)	
127	3271505	4	Nut (Nut 5/16-18NC x 1in) (SN 106729 to Present)	
128	3311505	20	Locknut 5/16in-18NC	
129	3311605	2	Locknut 3/8in-16NC	
130	3911428	2	Screw 1/4in-20NC x 1 3/4in	
131	3911532	6	Screw 5/16in-18NC x 2in	
133	4711600	4	Flatwasher 3/8in Narrow	
135	4711500	26	Flatwasher 5/16in Narrow	
136	4752200	4	Flatwasher 3/4in	
137	3422219	2	Pin, Snap	
138	3300151	2	Nut, Acorn 1/4in-20NC	
139	0100011	AR	Loctite #242 (Not Shown)	
140	3421565	2	Pin, Snap	
141	1060808	4	Lanyard	
142	3760170	4	Ring, Split	
143	0641406	2	Bolt 1/4in-20NC x 3/4in	
144	0700619	2	Screw 6mm	
145	2940127	2	Latch, Rubber	
146	3290601	2	Nut 6mm	
149	4751400	2	Flatwasher 1/4in	
150	4846256	1	Side Rail Weldment (Right Side)	
151	4420055	10	Tape	
		in/25cm		
152	0940090	2	Bumper	
153	3311401	2	Nut 1/4in-20NC	
154	0100048	AR	Grease (Not Shown)	
155	3300420	2	Nut, Acorn (Nylon)	

SECTION 4 - PLATFORM

FIGURE 4-3. PLATFORM CONSOLE BOX ASSEMBLY



SECTION 4 - PLATFORM

FIGURE 4-3. PLATFORM CONSOLE BOX ASSEMBLY

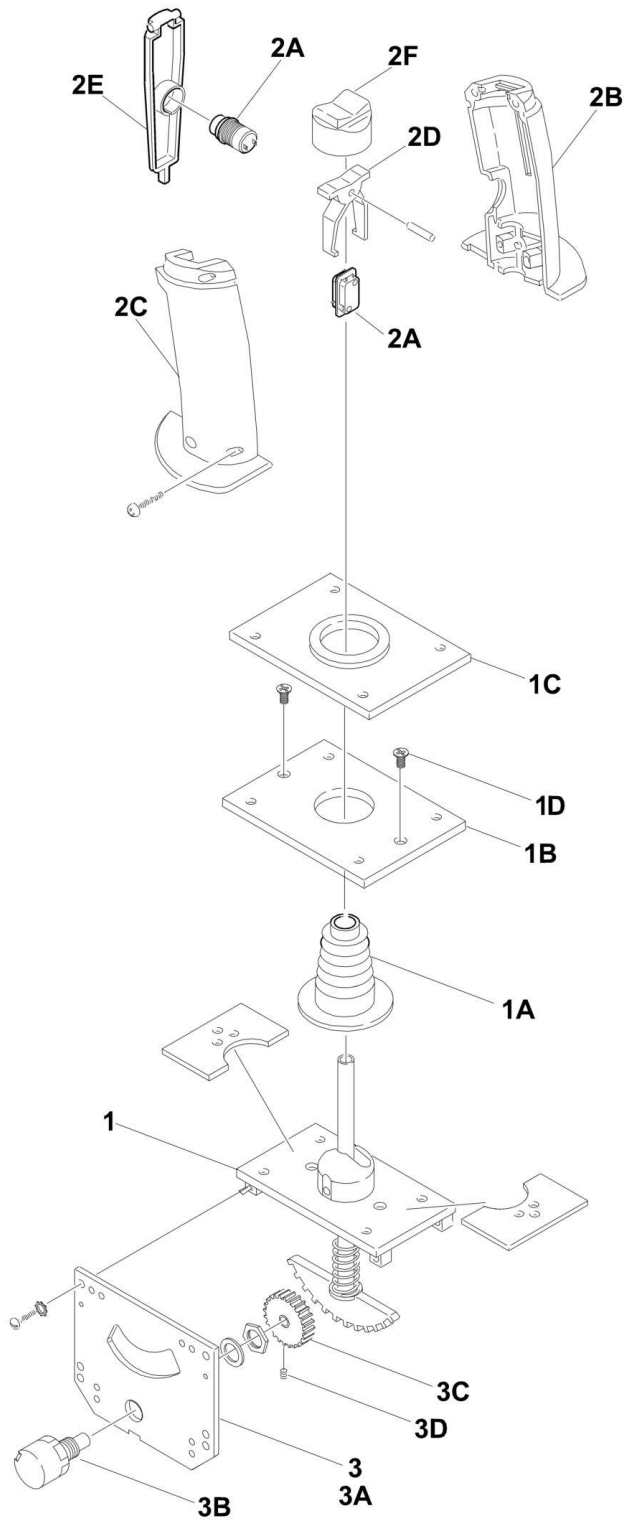
ITEM	PART NUMBER	QTY	DESCRIPTION	REV
		Ref	CONSOLE BOX ASSEMBLY OPTIONS:	
	0270198	Ref	Diesel Machines	J
	0270451	Ref	Diesel Machines with Leveling Jacks	E
1	0140011	1	Alarm	
2	0181847	1	Angle, Latch	
3	0610135	1	Board, P/C Display	
4	0641404	4	Bolt 1/4in-20NC x 1/2in	
5	0861357	1	Box, Console	
6	0902499	1	Bracket, D-Ring	
7		Ref	Drive/Steer Controller Assembly Options:	
7	1600308	1	Production (See DRIVE/STEER CONTROLLER ASSEMBLY (PRODUCTION) for Breakdown)	
7	1600403	1	Post Production (See DRIVE/STEER J.R. MERRITT CONTROLLER ASSEMBLY (POST PRODUCTION) for Breakdown)	
8		Ref	Decal - Display Board Options:	
8	1704624	1	Production	
8	1705947	1	Post Production	
9	1704589	1	Decal - Toggle Switch Function	
10	2560141	1	Thumbscrew	
11		Ref	Nameplate Options:	
11	3252695	1	Nameplate (Not Shown) (Prior to SN 112399)	
11	1705711	1	Nameplate (SN 112399 to Present)	
11	1705948	1	Post Production Replacement	
12	3310601	4	Nut #6-32NC	
13	3520080	4	Plug, Hole (Machines without Leveling Jacks Only)	
15	3900178	4	Screw, Plastite #10-32NC x 1/2in	
16	3900265	10	Screw, Self-Tapping #8-18 x 3/4in	
17	4060802	2	Guard, Switch	
18	4360387	AR	Switch, Push Button	
19	4360475	1	Switch, Emergency Stop	
19	7020175	1	Ring, Sealing	
19A	7020176	1	Block, Contact	
20	4360482	1	Switch, Toggle	
21	4420008	38 in/1m	Tape, Insulation	
22	4460470	1	Nut, Terminal	
23	4460471	1	Lockwasher, Terminal	
24	4460480	1	Connector, Terminal	
25	4740120	12	Washer, Nylon	
26	4760600	4	Lockwasher #6	
27	4791400	4	Starwasher 1/4in	
28	4845938	1	Bracket, Box Mounting	
29	4846249	1	Lid, Box	
30		Ref	Harness, Platform Console Box Options: (Not Shown - See ELECTRICAL SECTION for Breakdown)	
30	4922391	1	Diesel Machines without Leveling Jacks	
30	4922437	1	Diesel Machines with Leveling Jacks	
31	4360483	1	Switch, Toggle	
32	3340895	1	Pad, Spacer (Production Only)	
33		Ref	Components Options (SN 112399 to Present)	

SECTION 4 - PLATFORM

ITEM	PART NUMBER	QTY	DESCRIPTION	REV
33	3520193	1	Plug (SN 112399 to Present)	
33	2920026	1	Lamp, Indicator	
33	2920029	1	Bulb, Light	
34	1704574	1	Decal - Outrigger Select (With Leveling Jacks Only)	

SECTION 4 - PLATFORM

FIGURE 4-4. DRIVE/STEER CONTROLLER ASSEMBLY (PRODUCTION)



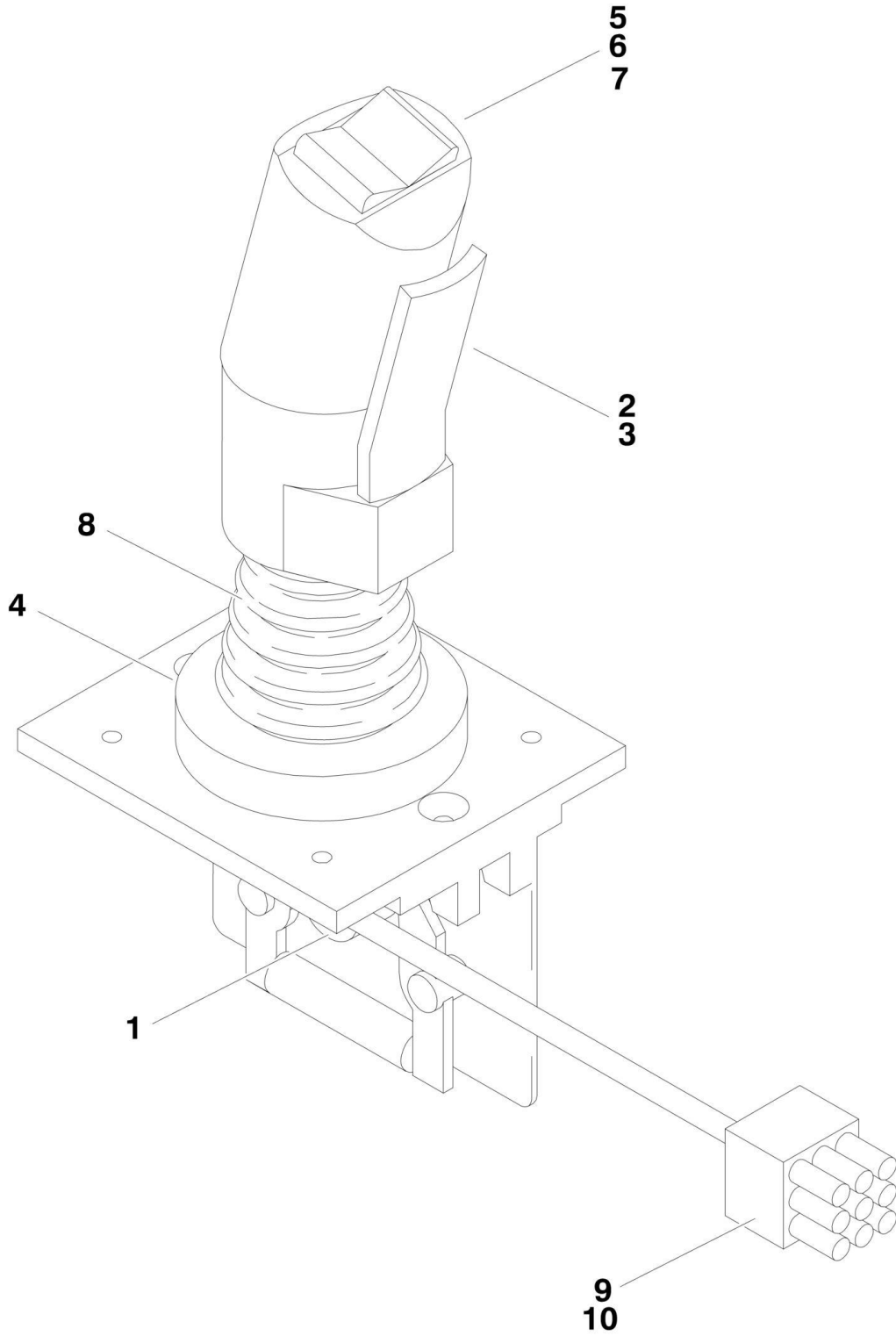
SECTION 4 - PLATFORM

FIGURE 4-4. DRIVE/STEER CONTROLLER ASSEMBLY (PRODUCTION)

ITEM	PART NUMBER	QTY	DESCRIPTION	REV
	1600308	Ref	CONTROLLER ASSEMBLY	D
	7020527	1	Mechanical Assembly	
1	7020503	1	Handle/Housing Assembly	
1A	7020520	1	Housing	
1B	7020504	1	Plate, Mounting	
1C	7020502	1	Gasket	
1D	7020528	2	Screw #10-32NF x 3/8in	
2	7020529	1	Grip Assembly	
2A	7020501	1	Push Button	
2A	7020530	1	Push Button W/Wires	
2A	7020500	1	Micro Switch	
2B	7020541	1	Grip - Right Half (was p/n 7020531)	
2C	7020541	1	Grip - Left Half (was p/n 7020532)	
2D	7003791	1	Actuator, Switch	
2E	7011997	1	Trigger	
2F	7003790	1	Cap, Rubber	
3	7020533	1	Electrical Assembly	
3	7020535	2	Resistor	
3A	7020509	1	Plate, Mounting - Potentiometer	
3B	7020534	1	Potentiometer	
3C	7011940	1	Gear, Pinion	
3D	7020511	1	Setscrew #6-32 x 1/8in	
	4460265	1	Plug, Male - 9 Pin (Not Shown)	
	4460268	8	Socket, Female (Not Shown)	
	4460266	1	Connector, Receptacle - 9 Pin (Not Shown - Part of Console Harness)	
	4460267	8	Pin, Male (Not Shown - Part of Console Harness)	

SECTION 4 - PLATFORM

FIGURE 4-5. DRIVE/STEER J.R. MERRITT CONTROLLER ASSEMBLY (POST PRODUCTION)



SECTION 4 - PLATFORM

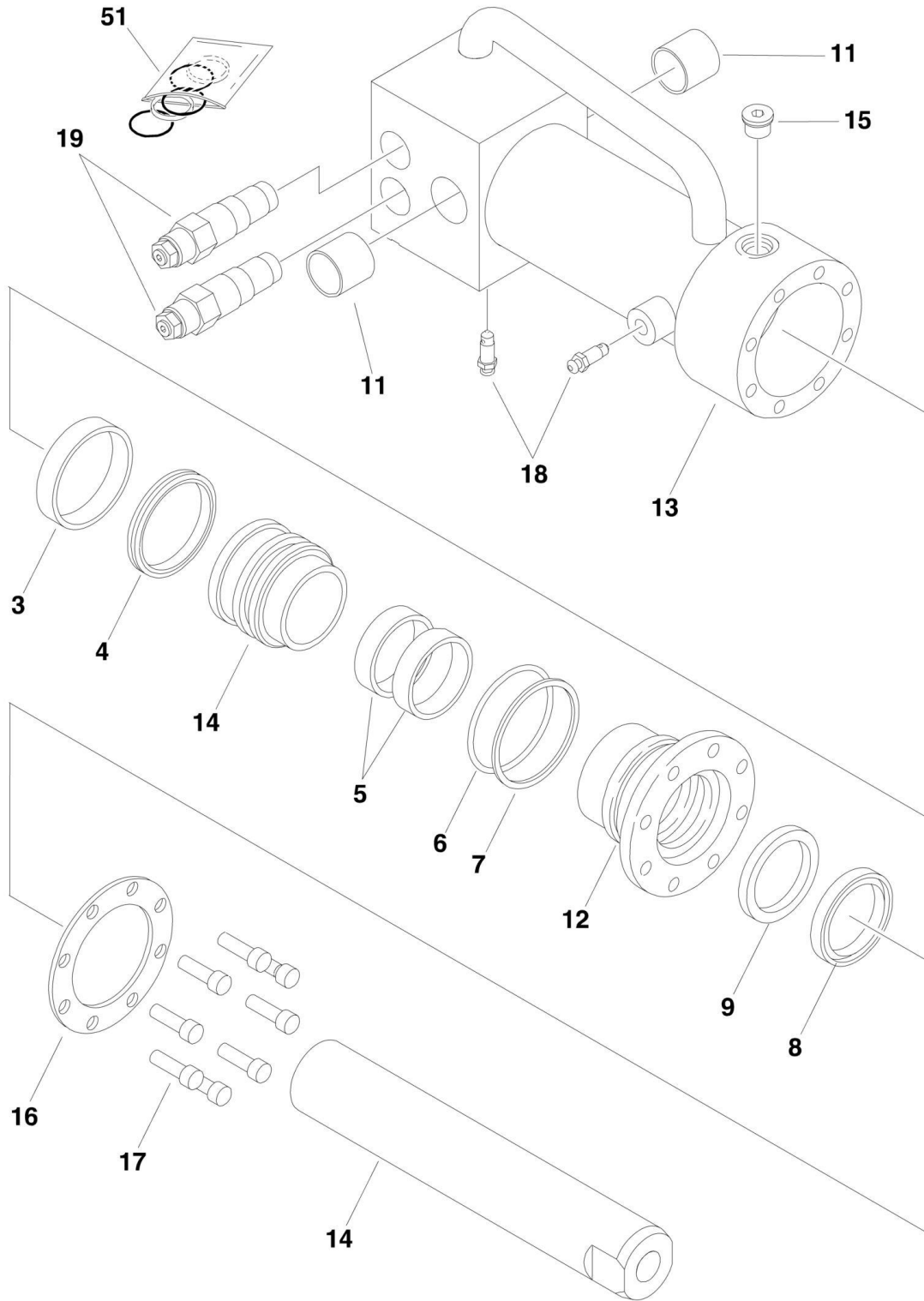
FIGURE 4-5. DRIVE/STEER J.R. MERRITT CONTROLLER ASSEMBLY (POST PRODUCTION)

ITEM	PART NUMBER	QTY	DESCRIPTION	REV
	1600403	Ref	CONTROLLER ASSEMBLY Note: If your machine was equipped with a 1600403 J.R. Merritt controller in ordering a replacement controller you must order a 1600403 J.R. Merritt controller. You can not replace the 1600403 J.R. Merritt controller with the 1600308 P/Q controller.	E
1	70000081	1	Potentiometer	
2	7027367	1	Switch, Push button	
3	7027765	1	Lever, Enabler	
4	7027766	1	Ring, Retaining	
5	70000082	1	Microswitch	
6	70000083	1	Coupler, Microswitch	
7	70000084	1	Cap, Rubber	
8	70000085	1	Boot, Rubber	
9	4460265	1	Plug, Male - 9 Pin	
10	4460226	8	Socket, Female	
11	70000685	AR	Washer, Plastic (Not Shown)	
12	70000684	AR	Screw, Handle (Not Shown)	
13	Not Available	AR	Nut, Handle (Not Shown)	
14	70000683	AR	Washer, Neoprene (Not Shown)	
15	70000686	AR	Screw, Handle (Not Shown)	
16	4460266	1	Connector, Receptacle - 9 Pin (Not Shown - Part of Console Harness)	
17	4460267	8	Pin, Male (Not Shown - Part of Console Harness)	

SECTION 5 - CYLINDERS

SECTION 5 - CYLINDERS

FIGURE 5-1. AXLE LOCKOUT CYLINDER ASSEMBLY



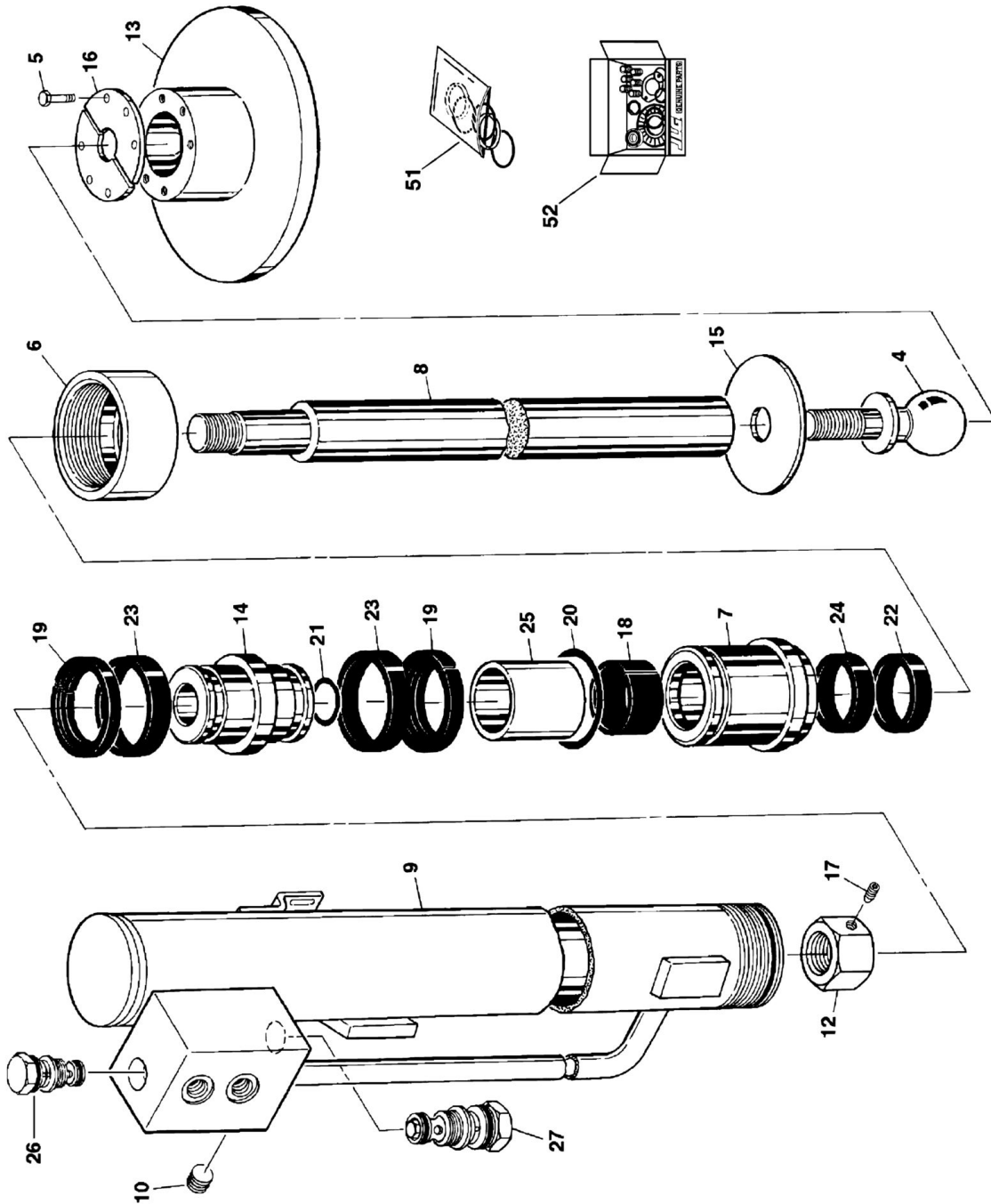
SECTION 5 - CYLINDERS

FIGURE 5-1. AXLE LOCKOUT CYLINDER ASSEMBLY

ITEM	PART NUMBER	QTY	DESCRIPTION	REV
	1683978	Ref	AXLE LOCKOUT CYLINDER ASSEMBLY	C
1	0100011	AR	Loctite #242 (Not Shown)	
2	0100038	AR	Primer, Locking (Not Shown)	
3	Item 51	1	Ring, Wear	
4	Item 51	1	T-Seal	
5	Item 51	2	Ring, Wear	
6	Item 51	1	O-Ring	
7	Item 51	1	Ring, Back-Up	
8	Item 51	1	Seal, Wiper	
9	Item 51	1	Seal, Rod	
11	0962474	2	Bushing (Was P/N 1681890)	
12	1683076	1	Head	
13	1683572	1	Barrel Weldment	
14	1683574	1	Rod/Piston	
15	2220885	1	Plug, O-Ring	
16	3760367	1	Ring, Washer	
17	3931516	8	Capscrew, Socket Head 5/16in-18NC x1in	
18	4640858	2	Valve, Bleeder	
19	4641163	2	Valve, Counter Balance	
19	2900770	2	Seal Kit - 4641163 Valve	
51	2901548	1	Seal Kit (Includes Items 3 to 9)	

SECTION 5 - CYLINDERS

FIGURE 5-2. LEVELING JACK CYLINDERS ASSEMBLY (Prior to SN 104829)



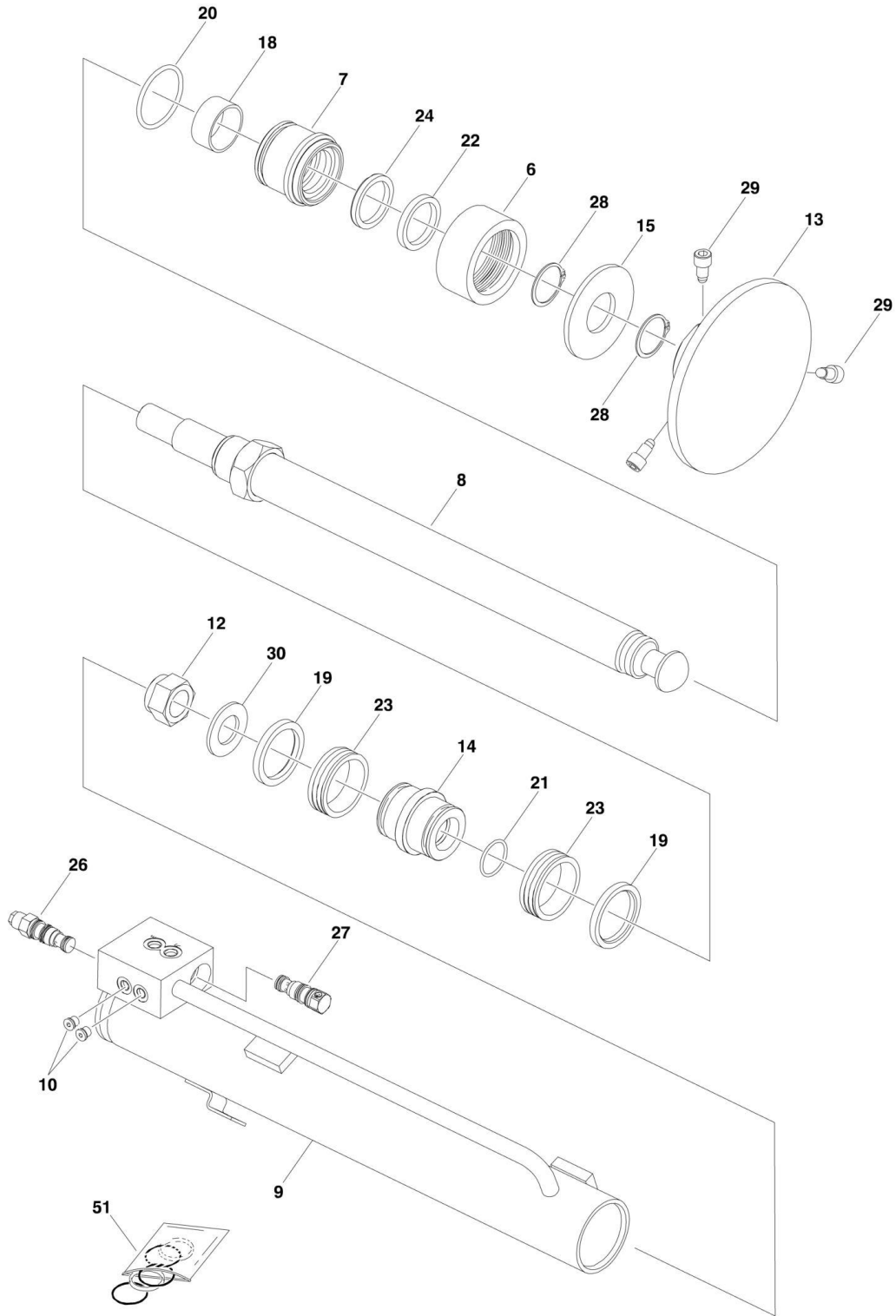
SECTION 5 - CYLINDERS

FIGURE 5-2. LEVELING JACK CYLINDERS ASSEMBLY (Prior to SN 104829)

ITEM	PART NUMBER	QTY	DESCRIPTION	REV
	1683966	Ref	LEVELING JACK CYLINDER ASSEMBLY	G
1	0100011	AR	Loctite #242 (Not Shown)	
2	0100035	AR	Loctite #222 (Not Shown)	
3	0100038	AR	Primer #7471 (Not Shown)	
4	0320015	1	Ball, Trailer	
5		Ref	Bolt Options:	
5	0681506	6	Bolt 5/16in-18NC x 3/4in (Prior to SN 90659)	
5	0681606	6	Bolt 3/8in-16NC x 3/4in (SN 90659 through 104829)	
6	1120108	1	Cap	
7	1681283	1	Head	
8	1682723	1	Rod	
9	1683967	1	Barrel	
10	2220883	2	Plug	
12	3300281	1	Nut	
13		Ref	Pad, Jack Options:	
13	2902023	1	Pad, Jack (was p/n 3340650) (Prior to SN 90659)	
13	2902023	1	Pad, Jack (was p/n 3340904) (SN 90659 through 104829)	
14	3480092	1	Piston	
15	3536708	1	Plate	
16		Ref	Ring, Retainer Options:	
16	3760261	1	Ring Retainer (Prior to SN 90659)	
16	3760453	1	Ring Retainer (SN 90659 through 104829)	
17	3900170	1	Screw, Locking	
18	Item 51	1	Ring, Wear	
19	Item 51	2	Guidelock	
20	Item 51	1	O-Ring	
21	Item 51	1	O-Ring	
22	Item 51	1	Seal, Wiper	
23	Item 51	2	Polyseal	
24	Item 51	1	Hydrolock	
25	4565647	1	Tube, Spacer	
26	4640495	1	Valve, Counter Balance	
27	4641156	1	Valve, Check	
51	2901941	1	Seal Kit (Includes Items 18-24)	
52	2902023	1	Jack Pad Kit (Includes Items 5, 13 & 16)	

SECTION 5 - CYLINDERS

FIGURE 5-3. LEVELING JACK CYLINDER ASSEMBLY (SN 104829 to Present)



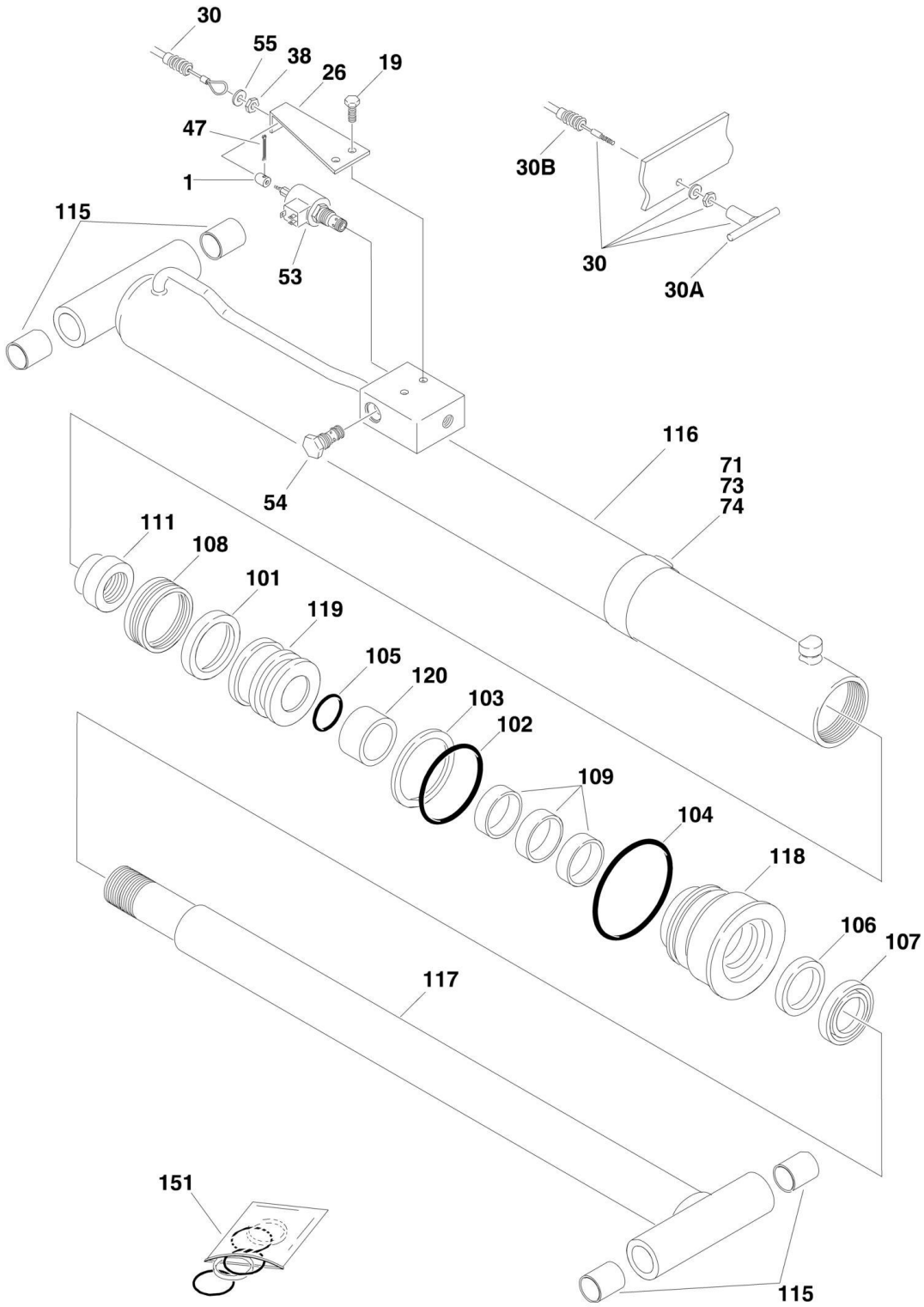
SECTION 5 - CYLINDERS

FIGURE 5-3. LEVELING JACK CYLINDER ASSEMBLY (SN 104829 to Present)

ITEM	PART NUMBER	QTY	DESCRIPTION	REV
	1684217	Ref	LEVELING JACK CYLINDER ASSEMBLY	A
1	0100011	AR	Loctite #242 (Not Shown)	
2	0100035	AR	Loctite #222 (Not Shown)	
6	1120108	1	Cap, End	
7	1681283	1	Head	
8	1684206	1	Rod, Cylinder	
9	1683967	1	Barrel, Cylinder	
10	2220883	2	Plug	
12	3300465	1	Locknut 1 1/4in-12NC	
13	4846584	1	Pad, Jack	
14	3480092	1	Piston	
15	3573513	1	Plate	
18	Item 51	1	Ring, Wear	
19	Item 51	2	Guidelock	
20	Item 51	1	O-Ring	
21	Item 51	1	O-Ring	
22	Item 51	1	Seal, Wiper	
23	Item 51	2	Polyseal	
24	Item 51	1	Hydrolock	
26	4640495	1	Valve, Counter Balance	
26	2900770	1	Seal Kit - 4640495 Valve	
27	4641156	1	Valve, Check	
27	2900770	1	Seal Kit - 4641156 Valve	
28	3760460	2	Ring, Retaining	
29	3900321	3	Screw, Special 1/2in-13NC x 1 1/4	
30	4713000	1	Flatwasher 1 1/4in	
51	2901941	1	Seal Kit (Includes Items 18-24)	

SECTION 5 - CYLINDERS

FIGURE 5-4. LIFT CYLINDER COMPONENTS ASSEMBLY - 330CRT



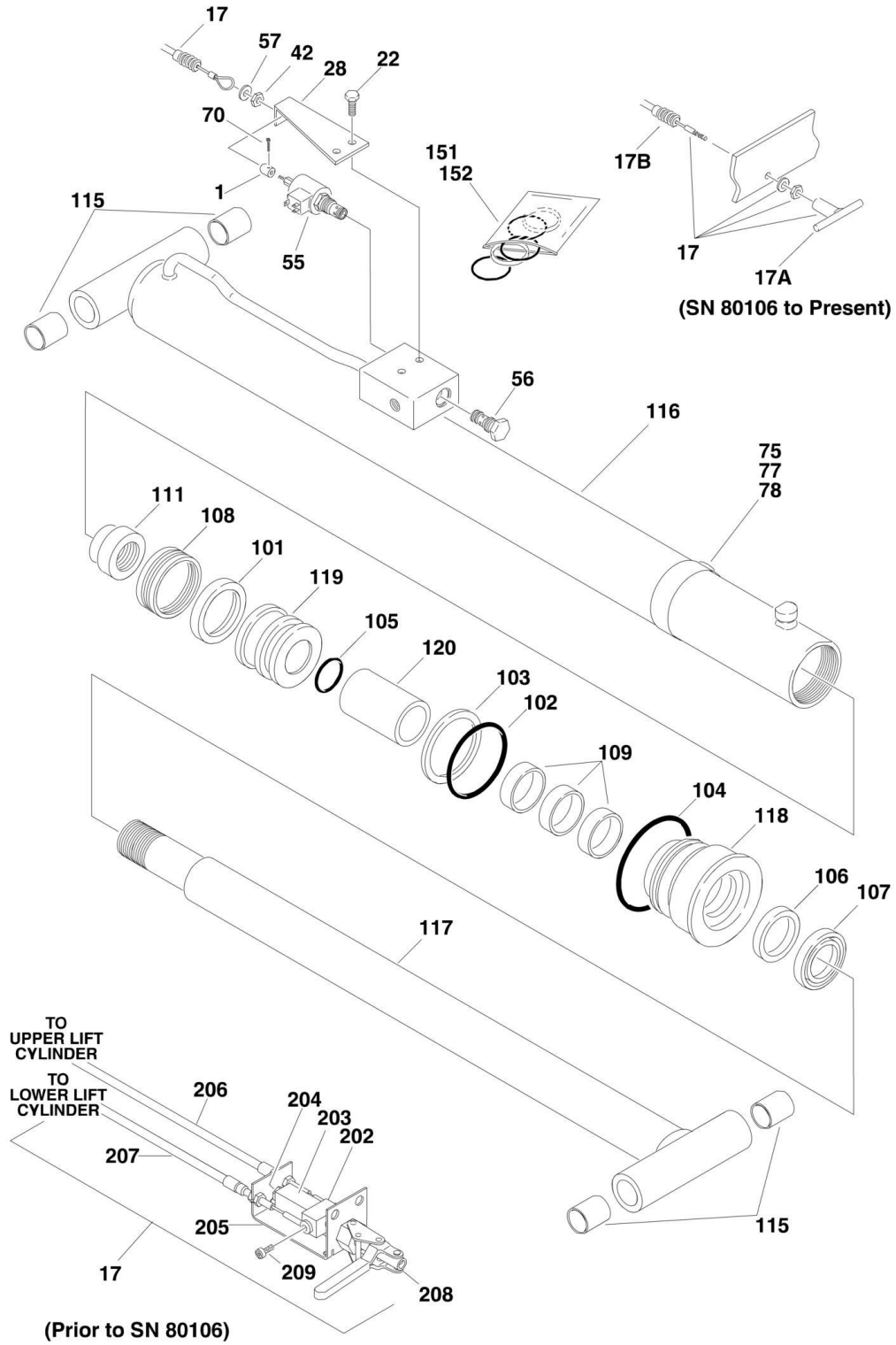
SECTION 5 - CYLINDERS

FIGURE 5-4. LIFT CYLINDER COMPONENTS ASSEMBLY - 330CRT

ITEM	PART NUMBER	QTY	DESCRIPTION	REV
	0259105	Ref	LIFT CYLINDER SUB-ASSEMBLY - 330CRT	K
1	0080228	1	Adapter	
2	0100011	AR	Loctite #242 (Not Shown)	
19	0641506	2	Bolt 5/16in-18NC x 3/4in	
26	0902421	1	Bracket	
30	1060846	1	Manual Descent Cable Assembly	
30A	7020218	1	T-Handle	
30B	7019602	1	Bellows	
38	3321402	2	Nut, Jam 1/4in-28NF	
47	3450405	1	Pin, Cotter	
53		Ref	Cartridge, Valve (Manual Descent) Options:	
53	4641001	1	Cartridge, Valve (Manual Descent) (Prior to SN 80106)	
53	4641172	1	Cartridge, Valve (Manual Descent) (SN 80106 to Present)	
53	7017445	1	Cartridge Only - 4641001 & 4641172 Valve	
53	7012998	1	Seal Kit - 4641001 & 4641172 Valve (was p/n 7012967)	
53		Ref	Coil Options:	
53	7017444	1	Coil 4641001 Valve	
53	7012943	1	Coil 4641172 Valve	
54	4641002	1	Valve, Check/Restrictor	
54	7012953	1	Seal Kit - 4641002 Valve	
55	4711400	2	Flatwasher 1/4in Narrow	
	1683858	Ref	LIFT CYLINDER ASSEMBLY	C
101	Item 151	1	Seal	
102	Item 151	1	O-Ring	
103	Item 151	1	Ring, Back-up	
104	Item 151	1	O-Ring	
105	Item 151	1	O-Ring	
106	Item 151	1	Seal	
107	Item 151	1	Wiper	
108	Item 151	1	Ring, Wear	
109	Item 151	3	Ring, Wear	
111	7003226	1	Locknut	
115	7019889	4	Bushing, Garmax	
116	7019898	1	Barrel Weldment	
117	7019897	1	Rod Weldment	
118	7019886	1	Head	
119	7019880	1	Piston	
120	7019896	1	Spacer	
151	7019884	1	Seal Kit (Includes Items 101 to 109)	

SECTION 5 - CYLINDERS

FIGURE 5-5. LIFT CYLINDER COMPONENTS ASSEMBLY - 400CRT



SECTION 5 - CYLINDERS

FIGURE 5-5. LIFT CYLINDER COMPONENTS ASSEMBLY - 400CRT

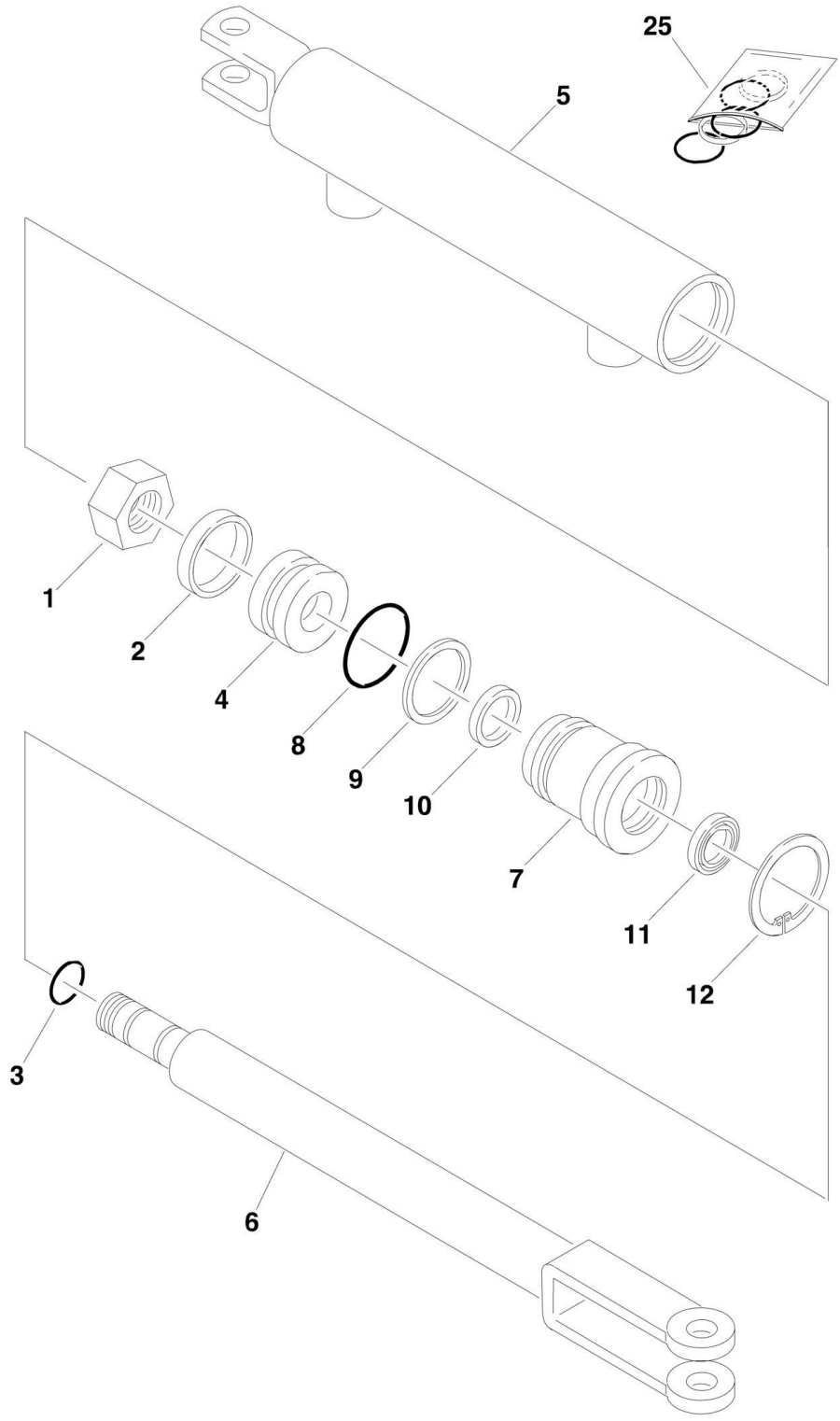
ITEM	PART NUMBER	QTY	DESCRIPTION	REV
	0259561	Ref	LIFT CYLINDER SUB-ASSEMBLY - 400CRT	J
1	0080228	2	Adapter	
2	0100011	AR	Loctite #242 (Not Shown)	
17		Ref	Manual Descent Cable Assembly Options:	
17	0259859	1	Manual Descent Cable Assembly (See Items 201-209 for Breakdown) (Prior to SN 80106)	
17	1060846	1	Manual Descent Cable Assembly (See Items 17A & 17B) (SN 80106 to Present)	
17A	7020218	1	T-Handle	
17B	7019602	1	Bellows	
22	0641506	4	Bolt 5/16in-18NC x 3/4in	
28	0902421	2	Bracket	
42	3321402	4	Nut, Jam 1/4in-28NF	
55		Ref	Cartridge Valve Options: (Manual Descent)	
55		Ref	Cartridge Valve (Lower Lift Cylinder)	
55	4641001	1	Cartridge Valve (Lower Lift Cylinder) (Prior to SN 80106)	
55	4641172	1	Cartridge Valve (Lower Lift Cylinder) (SN 80106 to Present)	
55		Ref	Cartridge Valve (Upper Lift Cylinder)	
55	4641001	1	Cartridge Valve (Upper Lift Cylinder) (Prior to SN 80106)	
55	4641168	1	Cartridge Valve (Upper Lift Cylinder) (SN 80106 to Present)	
55		Ref	Cartridge Only Options:	
55	7017445	1	4641001/4641172 Valve	
55	7017467	1	4641168 Valve	
55	7012998	1	Seal Kit - 4641001, 4641172 & 4641168 Valve (was p/n 7012967)	
55		Ref	Coil Options:	
55	7017444	1	4641001 Valve	
55	7012943	1	4641172 Valve	
55	7012944	1	4641168 Valve	
56	4641118	2	Valve, Thermal Relief	
56	7012998	2	Seal Kit - 4641118 Valve (1 Per Valve)	
57	4711400	4	Flatwasher 1/4in Narrow	
70	3450405	2	Pin, Cotter	
75	1320122	1	Clamp	
77	1670995	1	Cover, Cable (Not Shown)	
78	4280295	AR	Strip, Protector (Not Shown)	
		Ref	LIFT CYLINDER ASSEMBLY	
	1683891	Ref	Lower Cylinder	C
	1683892	Ref	Upper Cylinder	C
101	See Note	1	Seal (Note: Use Item 151 or 152)	
102	See Note	1	O-Ring (Note: Use Item 151 or 152)	
103	See Note	1	Ring, Back-up (Note: Use Item 151 or 152)	
104	See Note	1	O-Ring (Note: Use Item 151 or 152)	
105	See Note	1	O-Ring (Note: Use Item 151 or 152)	
106	See Note	1	Seal (Note: Use Item 151 or 152)	
107	See Note	1	Wiper (Note: Use Item 151 or 152)	
108	See Note	1	Ring, Wear (Note: Use Item 151 or 152)	
109	See Note	3	Ring, Wear (Note: Use Item 151 or 152)	
111		Ref	Locknut Options:	
111	7003226	1	1683891 Cylinder	

SECTION 5 - CYLINDERS

ITEM	PART NUMBER	QTY	DESCRIPTION	REV
111	7003212	1	1683892 Cylinder	
115	7019889	4	Bushing, Garmax	
116		Ref	Barrel Weldment Options:	
116	7019888	1	1683891 Cylinder	
116	7019895	1	1683892 Cylinder	
117		Ref	Rod Weldment Options:	
117	7019887	1	1683891 Cylinder	
117	7019894	1	1683892 Cylinder	
118		Ref	Head Options:	
118	7019886	1	1683891 Cylinder	
118	7019893	1	1683892 Cylinder	
119		Ref	Piston Options:	
119	7019880	1	1683891 Cylinder	
119	7019892	1	1683892 Cylinder	
120		Ref	Spacer Options:	
120	7019885	1	1683891 Cylinder	
120	7019891	1	1683892 Cylinder	
		Ref	Seal Kit Options (Includes Items 101 to 109):	
151	7019884	1	1683891 Cylinder	
152	7019890	1	1683892 Cylinder	
	0259859	Ref	MANUAL DESCENT CABLE ASSEMBLY (Prior to SN 80106)	B
201	0100011	AR	Loctite #242 (Not Shown)	
202	0561373	1	Block, Cable Attach	
203	0561374	1	Block, Spacer	
204	0641526	1	Bolt 5/16in-18NC x 3 1/4in	
205	0902573	1	Bracket, Cable	
206	1060797	1	Cable Assembly - Upper Lift Cylinder (Includes Attaching Hardware)	
207	1060798	1	Cable Assembly - Lower Lift Cylinder (Includes Attaching Hardware)	
208	2560150	1	Handle Assembly	
209	3900248	2	Screw, Shoulder #10-24NC x 1/4in	

SECTION 5 - CYLINDERS

FIGURE 5-6. STEER CYLINDER ASSEMBLY



SECTION 5 - CYLINDERS

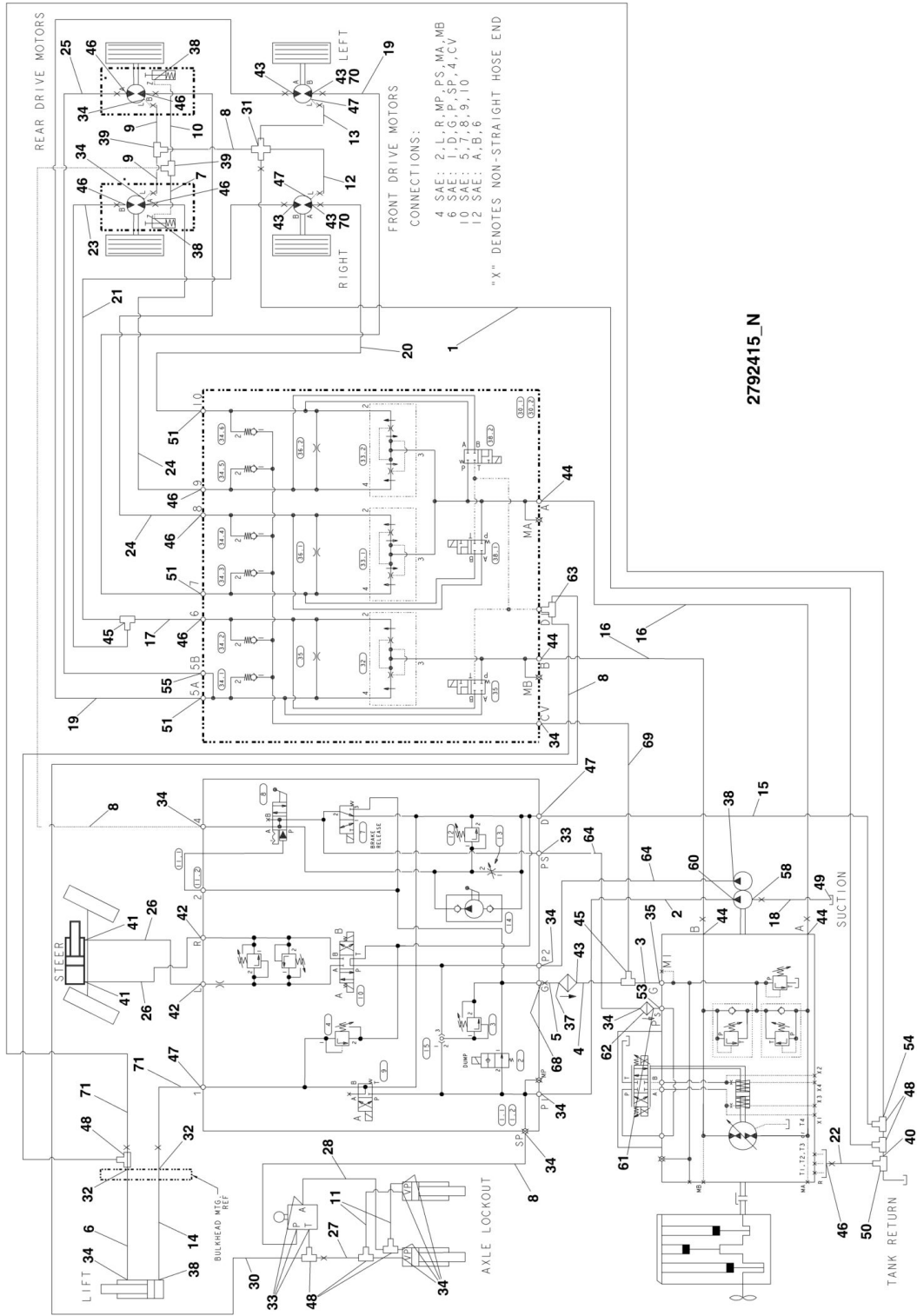
FIGURE 5-6. STEER CYLINDER ASSEMBLY

ITEM	PART NUMBER	QTY	DESCRIPTION	REV
	1683807	Ref	STEER CYLINDER ASSEMBLY	D
1	7017226	1	Locknut	
2	Item 25	1	Seal, Piston	
3	Item 25	1	O-Ring	
4	7017291	1	Piston	
5	7023009	1	Barrel	
6	7023010	1	Rod	
7	7017294	1	Guide	
8	Item 25	1	O-Ring	
9	Item 25	1	Ring, Back-Up	
10	Item 25	1	Seal	
11	Item 25	1	Wiper	
12	Item 25	1	Ring, Retainer	
25	7017290	1	Seal Kit - (Includes Items 2, 3 & 8-12)	

SECTION 6 - HYDRAULIC

SECTION 6 - HYDRAULIC

FIGURE 6-1. HYDRAULIC DIAGRAM - 330CRT OSCILLATING AXLE MACHINES



SECTION 6 - HYDRAULIC

FIGURE 6-1. HYDRAULIC DIAGRAM - 330CRT OSCILLATING AXLE MACHINES

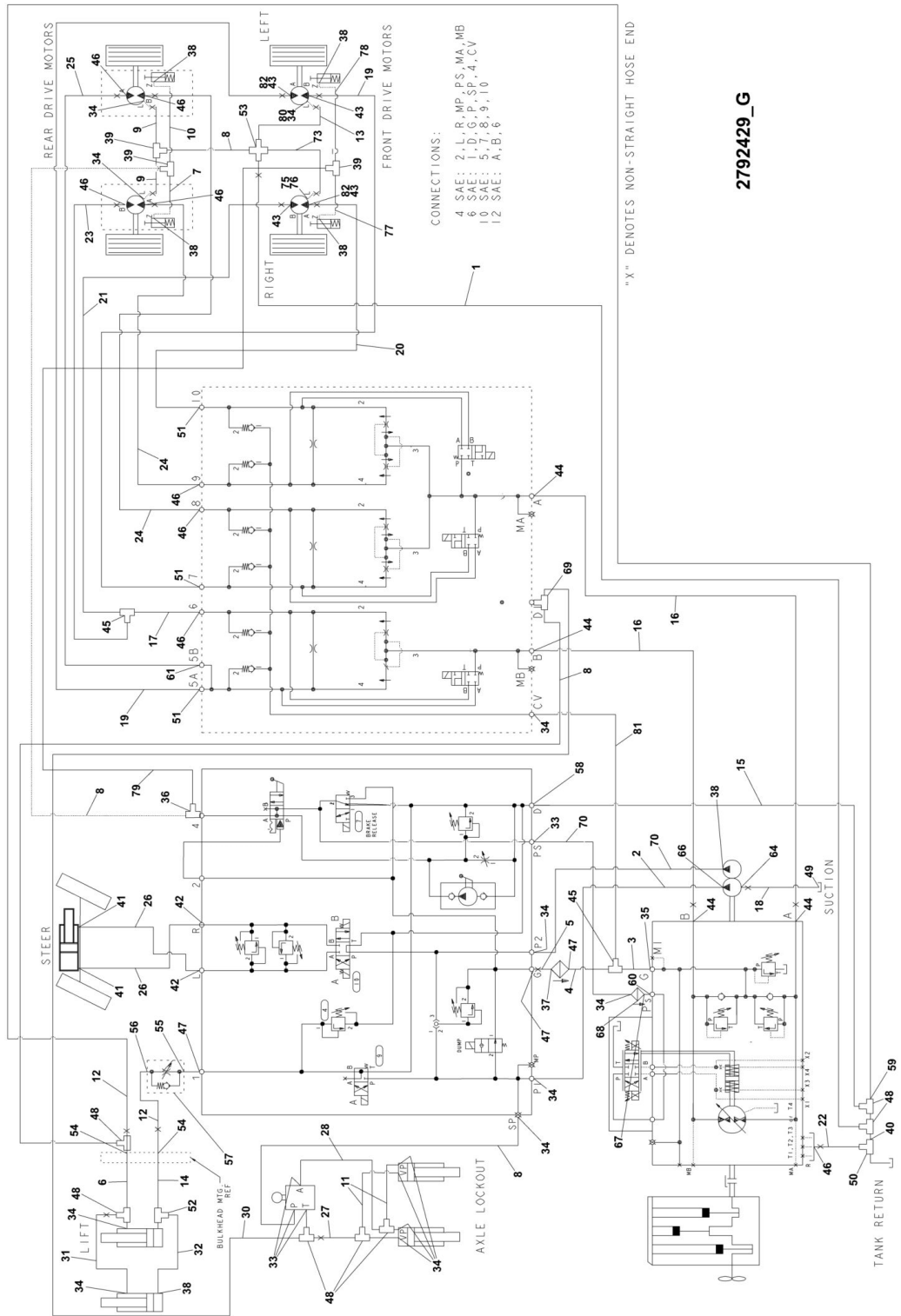
ITEM	PART NUMBER	QTY	DESCRIPTION	REV
	2792415	Ref	HYDRAULIC DIAGRAM - 330CRT	N
1	2752471	1	Hose	
2	2753399	1	Hose	
3	2753506	1	Hose	
4	2753507	1	Hose	
5	2752493	1	Hose	
6	2753400	1	Hose	
7	2752632	1	Hose	
8	2753120	AR	Hose	
9	2752643	2	Hose	
10	2752478	1	Hose	
11	2752469	2	Hose	
12	2752484	AR	Hose	
13	2753476	1	Hose	
14	2752622	1	Hose	
15	2753118	1	Hose	
16	2753402	2	Hose	
17	2753401	1	Hose	
18	2753418	1	Hose	
19	2753404	2	Hose	
20	2753405	1	Hose	
21	2753406	1	Hose	
22	2753407	1	Hose	
23	2753411	1	Hose	
24	2753412	2	Hose	
25	2753413	1	Hose	
26	2753410	2	Hose	
27	2752463	1	Hose	
28	2752479	1	Hose	
30	2753473	1	Hose	
31	2220827	1	Fitting, 4-Way	
32		Ref	Fitting, Bulkhead Options:	
32	2230043	2	Fitting, Bulkhead (Prior to SN 96519)	
32	2230024	2	Fitting, Bulkhead (SN 96519 to Present)	
33	2220603	4	Fitting, Straight	
34	2220371	13	Fitting, Straight	
35	2221042	1	Fitting, 90	
37	2220366	1	Fitting, 90	
38	2220473	4	Fitting, 90	
39	2220490	2	Fitting, Tee	
40	2220621	1	Fitting, Straight Reducer	
41	2220472	2	Fitting, 90	
42	2220502	2	Fitting, 45	
43	2220906	5	Fitting, 90	
44	2220451	4	Fitting, Straight	
45	2220849	2	Fitting, Tee	
46	2220947	8	Fitting, Straight	
47	2220501	4	Fitting, 45	
48	2220635	6	Fitting, Tee	
49	2221070	1	Fitting, 45	

SECTION 6 - HYDRAULIC

ITEM	PART NUMBER	QTY	DESCRIPTION	REV
50	2220738	1	Fitting, Tee	
51	2221050	3	Fitting, 45	
53	2220819	1	Fitting, 90 Long	
54	2220507	1	Fitting, 90	
55	2221069	1	Fitting, 90 Long	
58	2220376	1	Fitting, Straight	
60	2220828	1	Fitting, 90	
61	2220919	1	Fitting, Straight	
62	2120172	1	Filter, In-Line	
63	2220899	1	Fitting, Tee	
64	2751852	2	Hose	
66	2752480	1	Hose (Prior to SN 96519)	
68	2220600	1	Fitting, Straight	
69	2753508	1	Hose	
70	0100075	AR	Loctite #545 (Not Shown)	
71	2753059	2	Hose (SN 96519 to Present)	

SECTION 6 - HYDRAULIC

FIGURE 6-2. HYDRAULIC DIAGRAM - 400CRT OSCILLATING AXLE MACHINES



SECTION 6 - HYDRAULIC

FIGURE 6-2. HYDRAULIC DIAGRAM - 400CRT OSCILLATING AXLE MACHINES

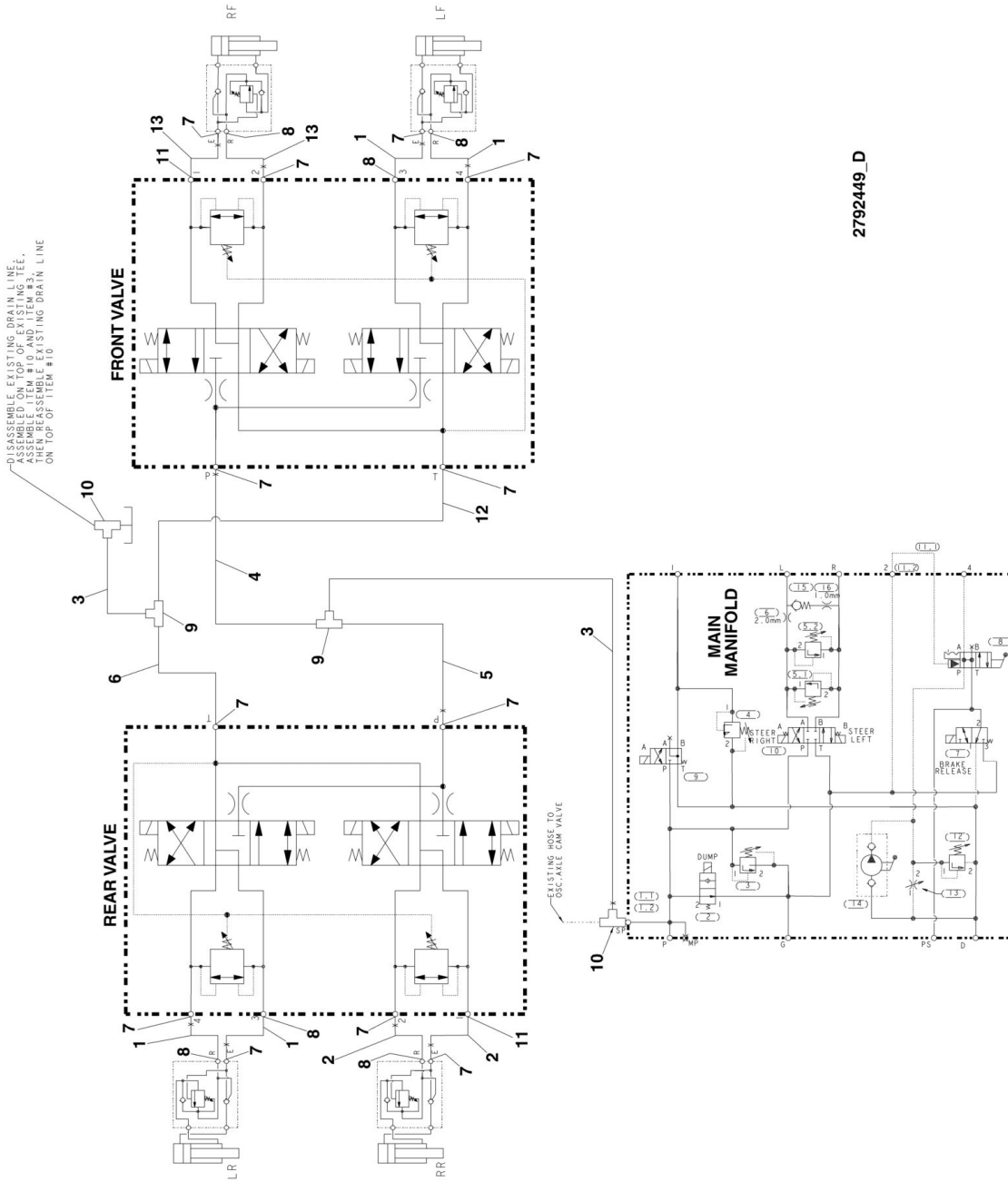
ITEM	PART NUMBER	QTY	DESCRIPTION	REV
	2792429	Ref	HYDRAULIC DIAGRAM - 400CRT	G
1	2752471	1	Hose	
2	2753399	1	Hose	
3	2753506	1	Hose	
4	2753507	1	Hose	
5	2752493	1	Hose	
6	2753400	1	Hose	
7	2752632	1	Hose	
8	2753120	AR	Hose	
9	2752643	2	Hose	
10	2752478	1	Hose	
11	2752469	2	Hose	
12		Ref	Hose Options:	
12	2752484	2	Hose (Prior to SN 96519)	
12	2753059	2	Hose (SN 96519 to Present)	
13	2753484	1	Hose	
14	2752622	1	Hose	
15	2753118	1	Hose	
16	2753402	2	Hose	
17	2753401	1	Hose	
18	2753418	1	Hose	
19	2753477	2	Hose	
20	2753478	1	Hose	
21	2753479	1	Hose	
22	2753407	1	Hose	
23	2753411	1	Hose	
24	2753412	2	Hose	
25	2753413	1	Hose	
26	2753410	2	Hose	
27	2752463	1	Hose	
28	2752479	1	Hose	
30	2753473	1	Hose	
31	2753414	1	Hose	
32	2753415	1	Hose	
33	2220603	4	Fitting, Straight	
34	2220371	14	Fitting, Straight	
35	2221042	1	Fitting, 90	
36	2220606	1	Fitting, Tee	
37	2220366	1	Fitting, 90	
38	2220473	6	Fitting, 90	
39	2220490	3	Fitting, Tee	
40	2220621	1	Fitting, Straight Reducer	
41	2220472	2	Fitting, 90	
42	2220502	2	Fitting, 45	
43	2221050	4	Fitting, 45	
44	2220451	4	Fitting, Straight	
45	2220849	2	Fitting, Tee	
46	2220947	8	Fitting, Straight	
47	2220600	3	Fitting, Straight	
48	2220635	7	Fitting, Tee	

SECTION 6 - HYDRAULIC

ITEM	PART NUMBER	QTY	DESCRIPTION	REV
49	2221070	1	Fitting, 45	
50	2220738	1	Fitting, Tee	
51	2221050	3	Fitting, 45	
52	2220899	1	Fitting, Tee	
53	2220827	1	Fitting, 4-Way	
54		Ref	Fitting, 90 Bulkhead Options:	
54	2230043	2	Fitting, 90 Bulkhead (Prior to SN 96519)	
54	2230024	2	Fitting, 90 Bulkhead (SN 96519 to Present)	
55	2220651	1	Fitting, Straight	
56	2220628	1	Fitting, 90	
57	4640757	1	Valve, Flow Control	
58	2220501	1	Fitting, 45	
59	2220507	1	Fitting, 90	
60	2220819	1	Fitting, 90 Long	
61	2221069	1	Fitting, 90 Long	
64	2220376	1	Fitting, Straight	
66	2220828	1	Fitting, 90	
67	2220919	1	Fitting, Straight	
68	2120172	1	Filter, In-Line	
69	2220899	1	Fitting, Tee	
70	2751852	2	Hose	
73	2753480	1	Hose	
75	2220677	1	Fitting, 45	
76	2220582	1	Fitting, Straight	
77	2753485	1	Hose	
78	2753486	1	Hose	
79	2753487	1	Hose	
80	2220657	1	Fitting, 45	
81	2753508	1	Hose	
82	0100075	AR	Loctite #545 (Not Shown)	

SECTION 6 - HYDRAULIC

FIGURE 6-3. HYDRAULIC DIAGRAM - LEVELING JACKS



2792449_D

SECTION 6 - HYDRAULIC

FIGURE 6-3. HYDRAULIC DIAGRAM - LEVELING JACKS

ITEM	PART NUMBER	QTY	DESCRIPTION	REV
	2792449	Ref	HYDRAULIC DIAGRAM	D
1	2750991	4	Hose	
2	2753327	2	Hose	
3	2752472	2	Hose	
4	2753059	1	Hose	
5	2750909	1	Hose	
6	2750916	1	Hose	
7	2220371	12	Fitting, Straight	
8	2220473	6	Fitting, 90	
9	2220490	2	Fitting, Tee	
10	2220635	2	Fitting	
11	2220819	2	Fitting, Long 90	
12	2753120	1	Hose	
13	2752476	2	Hose	

SECTION 6 - HYDRAULIC

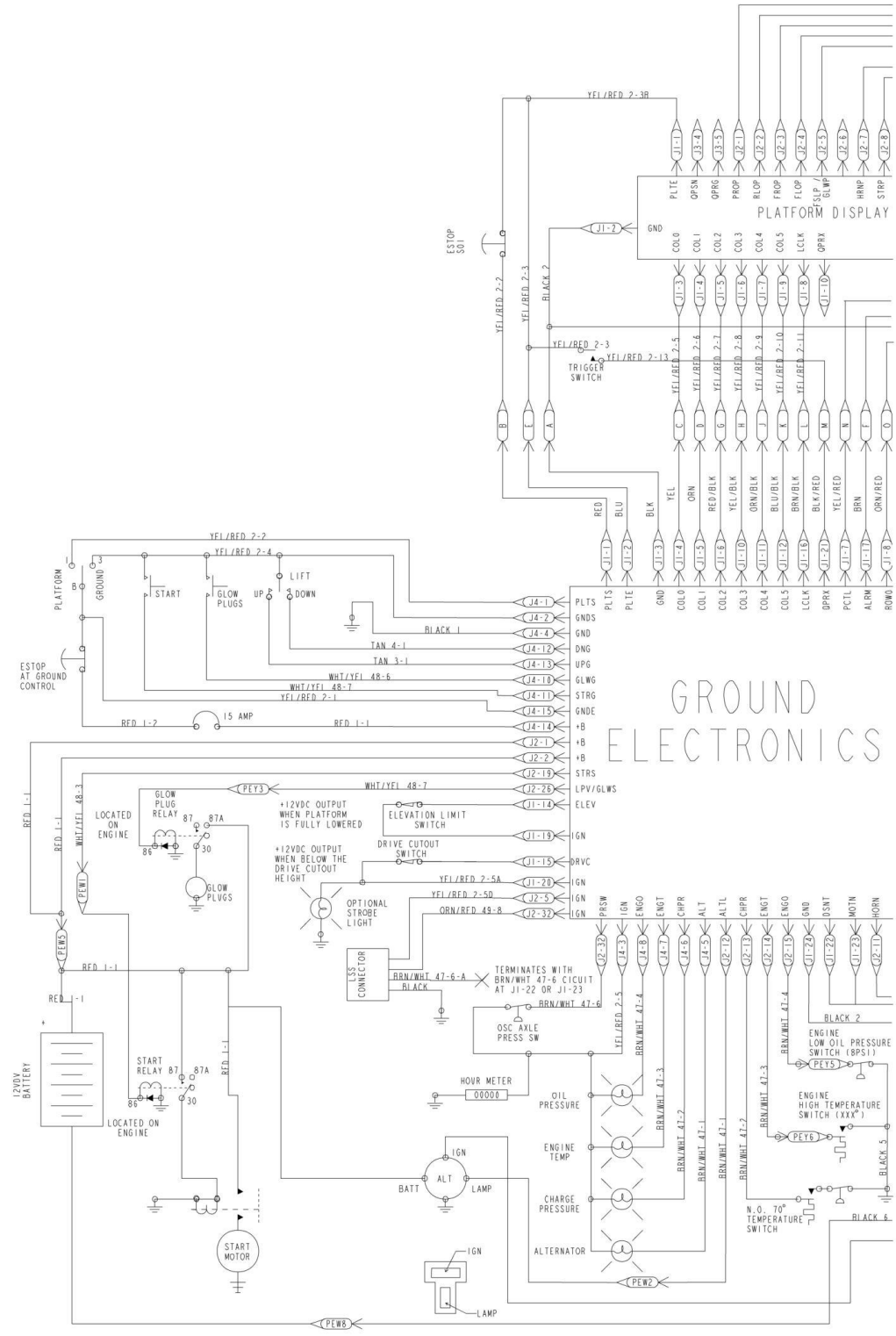
FIGURE 6-4. HYDRAULIC DIAGRAM LIST

ITEM	PART NUMBER	QTY	DESCRIPTION	REV
		Ref	Note: Information on diagrams not shown is available from JLG Service /Parts Department.	
		Ref	Hydraulic Diagram - Standard	
	2792396	Ref	Hydraulic Diagram - Standard 330CRT 4WD with Fixed Axle	
	2792415	Ref	Hydraulic Diagram - Standard 330CRT 4WD with Oscillating Axle	
	2792430	Ref	Hydraulic Diagram - Standard 400CRT 4WD with Fixed Axle	
	2792429	Ref	Hydraulic Diagram - Standard 400CRT 4WD with Oscillating Axle	
	2792449	Ref	Leveling Jacks (Optional)	
	2792397	Ref	Hydraulic Schematic	

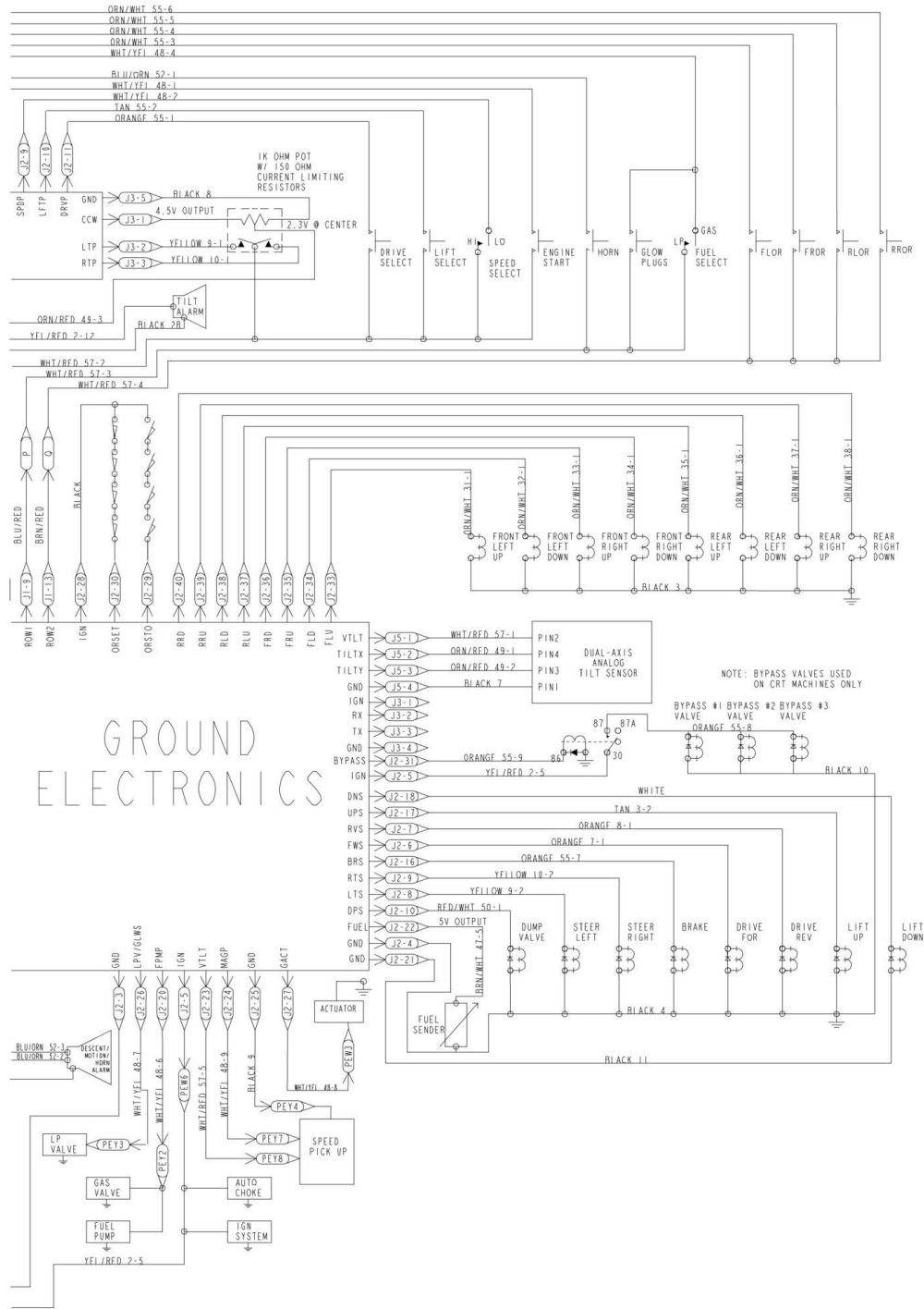
SECTION 7 - ELECTRICAL

SECTION 7 - ELECTRICAL

FIGURE 7-1. ELECTRICAL SCHEMATIC - STANDARD



SECTION 7 - ELECTRICAL

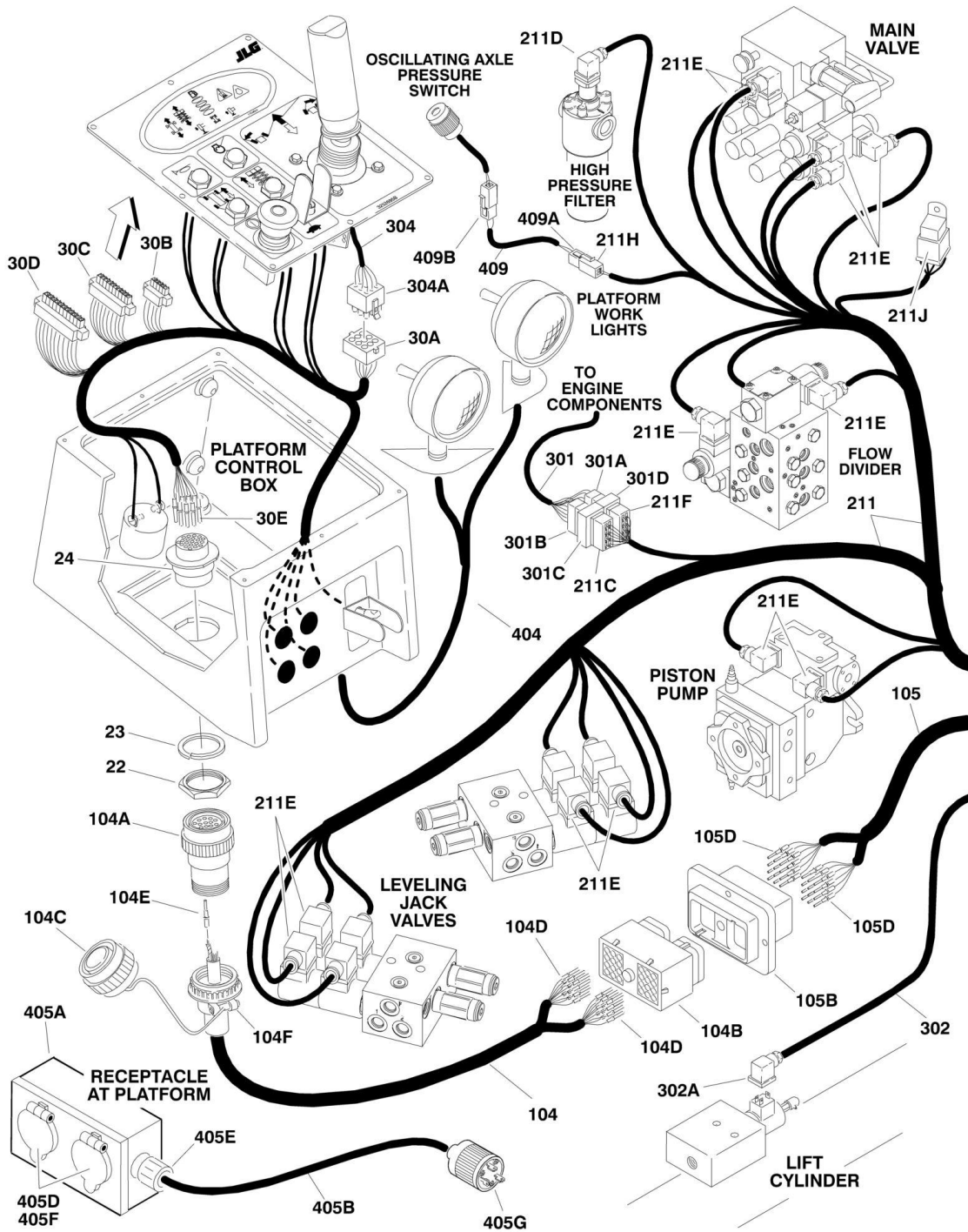


GROUND
ELECTRONICS

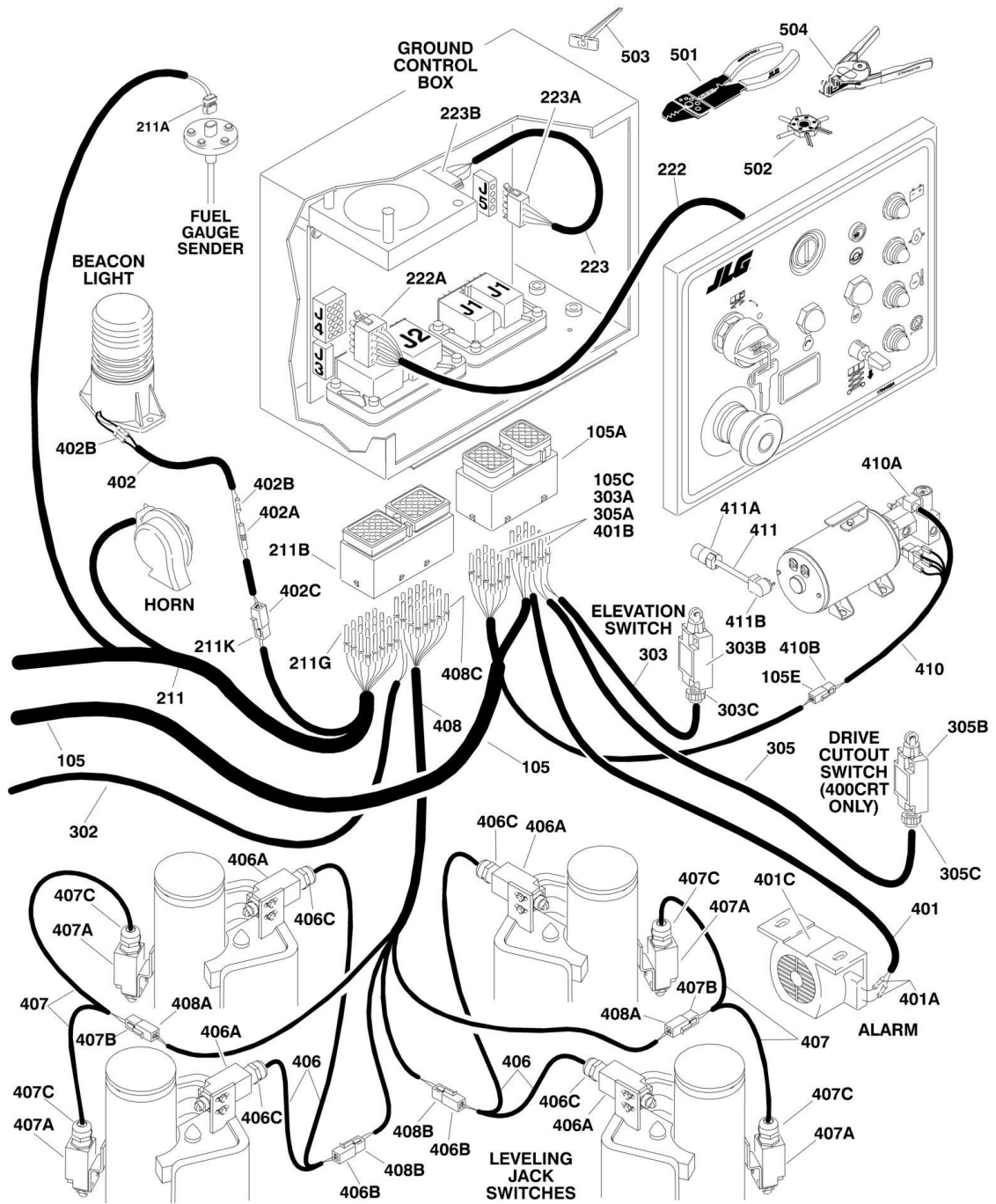
1870118 I

SECTION 7 - ELECTRICAL

FIGURE 7-2. ELECTRICAL COMPONENTS INSTALLATION



SECTION 7 - ELECTRICAL



SECTION 7 - ELECTRICAL

FIGURE 7-2. ELECTRICAL COMPONENTS INSTALLATION

ITEM	PART NUMBER	QTY	DESCRIPTION	REV
		Ref	CONSOLE BOX COMPONENTS	
22	4460470	1	Nut, Terminal	
23	4460471	1	Lockwasher, Terminal	
24	4460480	1	Connector, Terminal	
30		Ref	Harness, Console Box Options:	
30	4922391	1	Without Leveling Jacks and Generator	A
30	4922437	1	With Leveling Jacks Only	A
30	4922447	1	With Generator Only	B
30	4922446	1	With Leveling Jacks and Generator	A
30A	4460266	1	Connector - 9 Pin	
30A	4460267	8	Pin, Male	
30B	4460817	1	Connector - 5 Position	
30C	4460818	1	Connector - 10 Position	
30D	4460819	1	Connector - 11 Position	
30E	4460465	15	Socket, Female	
		Ref	PLATFORM CABLES INSTALLATION	
	0270102	Ref	Platform Cables Installation 330CRT	B
	0270105	Ref	Platform Cables Installation 400CRT	B
104		Ref	Harness Assembly (Routed Through Scissor Arms)	
104	4922383	1	Harness Assembly (Routed Through Scissor Arms) 330CRT	C
104	4922392	1	Harness Assembly (Routed Through Scissor Arms) 400CRT	C
104	1060815	Ref	Cable, Electrical - 16/18	
104	1060815	73.8 ft/22.5m	Cable, Electrical - 16/18 330CRT	
104	1060815	88.5 ft/27m	Cable, Electrical - 16/18 400CRT	
104A	4460481	1	Connector	
104B	4460812	1	Connector - 24 Position	
104C	4460468	1	Cap, Dust	
104D	4460465	33	Socket, Female	
104E	4460464	15	Pin, Male	
104F	4460473	1	Clamp	
105	4922384	1	Harness Assembly (Ground Control Box to Item 104)	A
105	1060815	6.8 ft/2.07m	Cable, Electrical - 16/18	
105A	4460812	1	Connector - 24 Position	
105B	4460846	1	Connector - 24 Position	
105C	4460465	16	Socket, Female	
105D	4460464	17	Pin, Male	
105E	4460424	1	Connector - 2 Position	
105E	4460267	2	Pin, Male	
		Ref	GROUND CONTROL BOX ASSEMBLY AND INSTALLATIONS	
211		Ref	Harness, Engine and Valve	
211	4922343	1	Without Leveling Jacks	F
211	4922441	1	With Leveling Jacks	C
211	3990010	1	Diode 6A 600V	
211A	4460834	1	Connector - 2 Position	
211A	4460845	2	Terminal	
211B	4460814	1	Connector, Female - 40 Position	
211C	4460828	1	Connector, Female - 8 Position (White C)	

SECTION 7 - ELECTRICAL

ITEM	PART NUMBER	QTY	DESCRIPTION	REV
211C	4460829	7	Terminal, Female	
211D	4460449	1	Connector, DIN without Diode	
211E	4460499	Ref	Connector, DIN with Diode	
211E	4460499	10	Without Leveling Jacks	
211E	4460499	18	With Leveling Jacks	
211F	4460827	1	Connector, Female - 8 Position (Yellow)	
211F	4460829	7	Terminal, Female	
211G	4460465	AR	Socket, Female	
211G	3730117	1	Resistor - 4.7OHM 1/4Watt	
211H	4460320	1	Connector - 2 Position	
211H	4460268	2	Socket, Female	
211J	3740049	1	Relay	
211J	4460260	4	Terminal	
211J	4460259	4	Cover, Terminal	
211K	4460424	1	Connector - 2 Position	
211K	4460267	2	Pin, Male	
222		Ref	Harness, Ground Control Box Options:	
222	4922378	1	Diesel Machines	A
222	4922336	1	Gas Dual Fuel Machines	C
222A	4460434	1	Connector - 15 Position	
222A	4460268	13	Socket, Female	
223	4922339	1	Harness, Tilt	C
223A	4460321	1	Connector - 4 Position	
223A	4460267	4	Pin, Male	
223B	4460824	1	Connector, Female - 6 Position	
223B	4460825	4	Socket, Female	
		Ref	STANDARD HARNESS COMPONENTS	
301	7023183	1	Harness, Engine	
301A	7023179	1	Connector - 8 Position (Yellow)	
301A	7023182	8	Pin, Male	
301B	7023178	1	Connector - 8 Position (White)	
301B	7023182	8	Pin, Male	
301C	7023180	1	Bulkhead, Electrical Connector (White)	
301D	7023181	1	Bulkhead, Electrical Connector (Yellow)	
302		Ref	Harness, Lift Down Options:	
302	4922321	1	Harness, Lift Down 330CRT	C
302	4922345	1	Harness, Lift Down 400CRT	C
302	1060680	Ref	Cable, Electrical - 18/2	
302	1060680	21 ft/6.4m	Cable, Electrical - 18/2 330CRT	
302	1060680	45 ft/13.7m	Cable, Electrical - 18/2 400CRT	
302A	4460499	Ref	Connector, DIN	
302A	4460499	1	Connector, DIN 330CRT	
302A	4460499	2	Connector, DIN 400CRT	
302A	4460465	2	Socket, Female	
303		Ref	Elevation Switch Harness Options:	
303	4922630	1	Elevation Switch Harness (Was p/n 1060868) (Prior to SN 101118)	
303	4922630	1	Elevation Switch Harness (SN 101118 to Present)	
303	1060680	9 ft/2.75m	Cable, Electrical - 18/2	
303A	4460465	2	Socket, Female	
303B		Ref	Switch, Limit Options:	

SECTION 7 - ELECTRICAL

ITEM	PART NUMBER	QTY	DESCRIPTION	REV
303B	4360321	1	Production	
303B	4360548	1	Post Production	
303C		Ref	Connector, Strain Relief Options:	
303C	4460662	1	Connector, Strain Relief (Use with 1060868 Harness) (Prior to SN 101118)	
303C	4460428	1	Connector, Strain Relief (Use with 4922630 Harness) (SN 101118 to Present)	
303C	4460968	1	Post Production Replacement	
304	Not Available	1	Harness, Controller (Part of Electrical Assembly)	
304A	4460265	1	Connector - 9 Position	
304A	4460268	8	Socket, Female	
305		Ref	Drive Cutout Switch Harness Options: (400CRT Only)	
305	4922630	1	Drive Cutout Switch Harness (Was p/n 1060869) (Prior to SN 101118)	
305	4922630	1	Drive Cutout Switch Harness (SN 101118 to Present)	
305	1060680	11 ft/3.4m	Cable, Electrical - 18/2	
305A	4460465	2	Socket, Female	
305B		Ref	Switch, Limit Options:	
305B	4360321	1	Production	
305B	4360548	1	Post Production	
305C		Ref	Connector, Strain Relief Options:	
305C	4460662	1	Connector, Strain Relief (Use with 1060869 Harness) (Prior to SN 101118)	
305C	4460428	1	Connector, Strain Relief (Use with 4922630 Harness) (SN 101118 to Present)	
305C	4460968	1	Post Production Replacement	
		Ref	OPTIONAL HARNESS COMPONENTS	
401	4922425	1	Alarm Harness	B
401	1060680	7 ft/2.2m	Cable, Electrical - 18/2	
401A	4460248	2	Terminal	
401B	4460465	2	Socket, Female	
401C	0140032	1	Alarm	
402	4922426	1	Beacon Harness	A
402	1060680	8 ft/2.5m	Cable, Electrical - 18/2	
402A	2400056	1	Fuse - 5A	
402A	4460044	1	Fuseholder	
402B	4460248	3	Terminal, Butt	
402C	4460268	2	Socket, Female	
402C	4460320	1	Connector - 2 Position	
404	Not Available	1	Harness - Worklight	
404	1060680	AR	Cable, Electrical - 18/2	
405		Ref	AC to Platform Receptacle Components Options:	
405	0259588	Ref	220V Receptacle (330CRT)	F
405	0270110	Ref	220V Receptacle (400CRT)	D
405	0259589	Ref	220V Receptacle without Box (330CRT)	E
405	0270111	Ref	220V Receptacle without Box (400CRT)	D
405A	0860038	1	Box, Switch (When Equipped)	
405B	1060461	1	Cable, Electrical - 12/3	
405B	1060461	51 ft/15.6m	Cable, Electrical - 12/3 330CRT	
405B	1060461	61 ft/18.6m	Cable, Electrical - 12/3 400CRT	
405C	3252507	1	Decal - AC Power (Not Shown)	

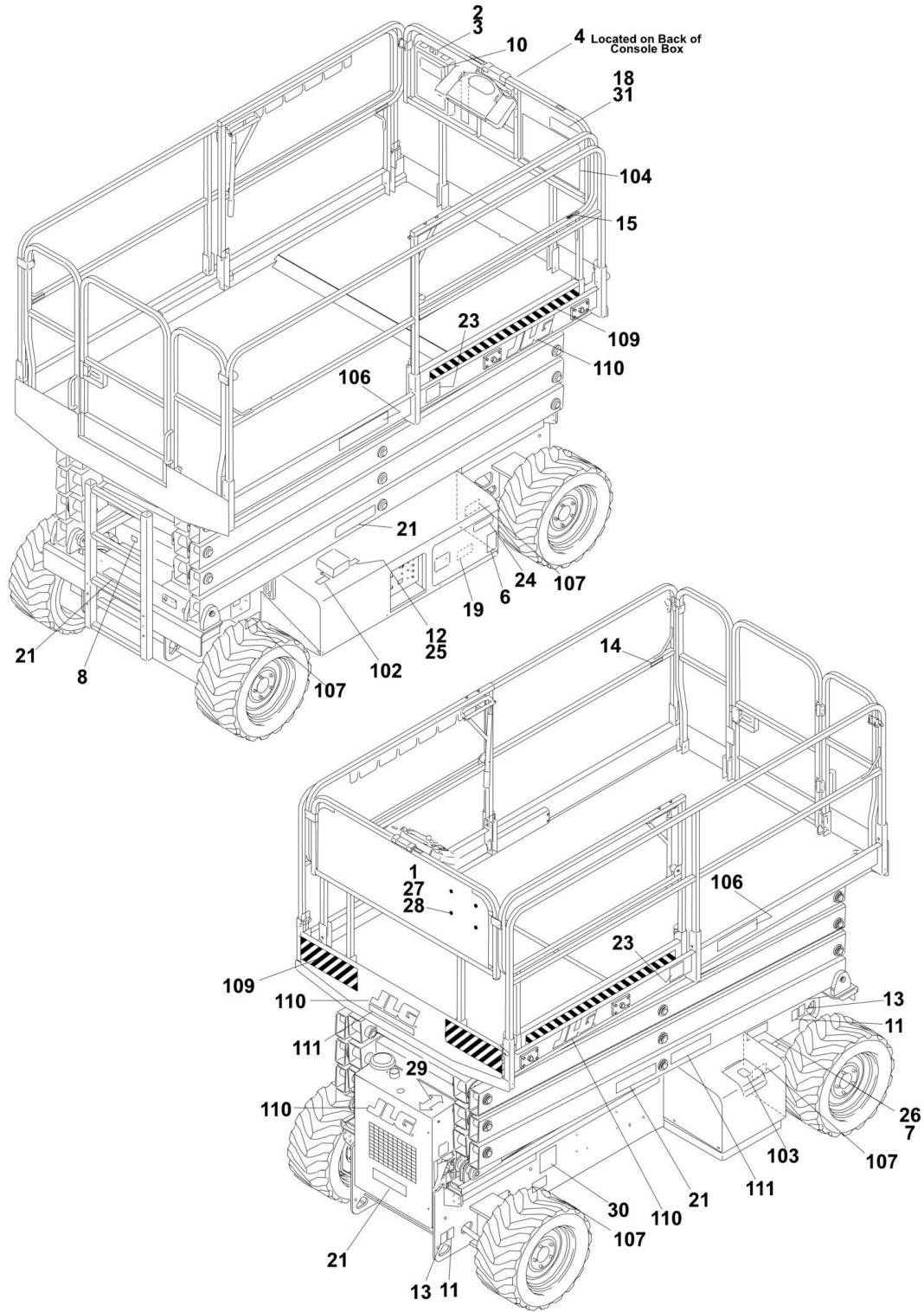
SECTION 7 - ELECTRICAL

ITEM	PART NUMBER	QTY	DESCRIPTION	REV
405D	Not Available	1	Shield, Cover	
405E		Ref	Connector, Strain Relief Options:	
405E	4460328	1	Connector, Strain Relief 330CRT (Prior to SN 110801)	
405E	4460071	1	Connector, Strain Relief 330CRT (SN 110801 to Present)	
405E	4460328	1	Connector, Strain Relief 400CRT	
405E	3300048	1	Nut, Conduit	
405F	Not Available	1	Receptacle	
405G	Not Available	1	Plug, Male	
406	4922454	2	Harness - Leveling Jacks (N.O. Limit Switches)	D
406	1060680	8.5 ft/2.6m	Cable, Electrical - 18/2	
406A		Ref	Switch, Limit Options:	
406A	4360321	2	Production	
406A	4360548	2	Post Production	
406B	4460424	1	Connector, Female - 2 Position	
406B	4460267	2	Pin, Male	
406C		Ref	Connector, Strain Relief Options:	
406C	4460428	2	Production	
406C	4460968	2	Post Production	
407	4922455	2	Harness - Leveling Jacks (N.C. Limit Switches)	D
407	1060680	9.9 ft/3m	Cable, Electrical - 18/2	
407A		Ref	Switch, Limit Options:	
407A	4360321	2	Production	
407A	4360548	2	Post Production	
407B	4460320	1	Connector - 2 Position	
407B	4460268	2	Socket, Female	
407C		Ref	Connector, Strain Relief Options:	
407C	4460428	2	Production	
407C	4460968	2	Post Production	
408	4922456	1	Harness, Connecting - Leveling Jacks	B
408	1060680	28 ft/8.5m	Cable, Electrical - 18/2	
408A	4460424	2	Connector, Female - 2 Position	
408A	4460267	4	Pin, Male	
408B	4460320	2	Connector - 2 Position	
408B	4460268	4	Socket, Female	
408C	4460465	3	Socket, Female	
409	4922465	1	Harness, Oscillating Axle Pressure Switch	A
409A	4460267	2	Pin, Male	
409A	4460424	1	Connector - 2 Position	
409B	4460867	1	Connector - 2 Position	
410 to 411	Not Required	0	Not Required	
		Ref	TOOLS	
501	7002821	1	Crimper (For Wire to Pin/Socket Connections)	
502	7002823		Extractor (For Removal of Pin/Socket from Connectors)	
503	4460467	1	Extractor, Pin (Blue 16-18 Gauge) (For Removal of Pin/Socket from Connectors)	
503	4460510	1	Extractor, Pin (Yellow 12-14 Gauge) (For Removal of Pin/Socket from Connectors)	
504	7002828	1	Stripper, Wire	
505	2901443	1	Analyzer, Machine (Not Shown)	

SECTION 8 - DECALS

SECTION 8 - DECALS

FIGURE 8-1. DECALS INSTALLATION



SECTION 8 - DECALS

FIGURE 8-1. DECALS INSTALLATION

ITEM	PART NUMBER	QTY	DESCRIPTION	REV
		Ref	DECAL INSTALLATIONS	
	0259600	Ref	Australian English Spec	7
	0259605	Ref	Dutch Spec	7
	0259602	Ref	French Spec	8
	0259603	Ref	German Spec	7
	0259604	Ref	Italian Spec	7
	0273208	Ref	Norwegian Spec	1
	0259606	Ref	Spain Spec	7
	0259599	Ref	UK English Spec	8
1	0641405	4	Bolt 1/4in-20NC x 5/8in	
2	0860520	1	Box, Manual Storage	
3	1060279	1	Cable, Lanyard	
4	Not Available	1	Decal - Bar Code	
6		Ref	Decal - Patent Options:	
6	1700584	1	All Specs except Spain	
6	1702573	1	Spain Spec Only	
7	2080057	2	Fastener	
8	1704211	1	Decal - Safety Prop	
10	1701509	1	Decal - Manual Reference	
11	1703811	4	Decal - Lifting Lugs	
12	1703812	1	Decal - Hydraulic Oil	
13	1703814	4	Decal - Tie Down	
14	1704277	8	Decal - Attach Lanyard Here	
15	1703819	1	Decal - Directional Arrow	
18		Ref	Decal - Caution Options:	
18	Not Required	0	Australian Spec	
18	1704649	1	Dutch Spec	
18	1704626	1	French Spec	
18	1704674	1	German Spec	
18	1704673	1	Italian Spec	
18	Not Required	0	Norwegian Spec	
18	1704672	1	Spain Spec	
18	Not Required	0	UK Spec	
19		Ref	Decal - Towing/Winching/Tow Speed Options:	
19	1704556	1	Australian Spec	
19	1704620	1	Dutch Spec	
19	1704605	1	French Spec	
19	1704622	1	German Spec	
19	1704621	1	Italian Spec	
19	1704556	1	Norwegian Spec	
19	1704619	1	Spain Spec	
19	1704556	1	UK Spec	
21		Ref	Decal - Warning Crushing Hazard/Danger Electrocutation Options:	
21	1703818	4	Australian Spec	
21	1703894	4	Dutch Spec	
21	1703865	4	French Spec	
21	1703882	4	German Spec	
21	1703887	4	Italian Spec	
21	1705257	4	Norwegian Spec	
21	1703841	4	Spain Spec	

SECTION 8 - DECALS

ITEM	PART NUMBER	QTY	DESCRIPTION	REV
21	1703818	4	UK Spec	
23		Ref	Decal - CE or Sound Level Options:	
23	1702928	2	All Specs except Australian and UK English Specs (Prior to SN 106729)	
23	1705386	1	All Specs except Australian and UK English Specs (Right Side Only - No Decal on Left Side) (SN 106729 to Present)	
23	Not Required	0	Australian Spec	
23	1702928	2	UK English Spec	
24		Ref	Decal - Battery Warning Options:	
24	1704479	1	Australian Spec	
24	1704682	1	Dutch Spec	
24	1704552	1	French Spec	
24	1704680	1	German Spec	
24	1704681	1	Italian Spec	
24	1705263	1	Norwegian Spec	
24	1704551	1	Spain Spec	
24	1704479	1	UK Spec	
25	1704412	1	Decal - Hydraulic Oil	
26	Not Available	1	Nameplate - Serial Number	
27	3311405	4	Locknut 1/4in-20NC	
28	4711400	8	Flatwasher 1/4in Narrow	
29	1703687	1	Decal - Arrow	
30	1702153	1	Decal - Inspection (Not Shown - Australian Spec Only)	
31	1704625	1	Decal - Caution (Not Shown - Australian/UK Specs Only)	
31	1705267	1	Decal - Caution (Not Shown - Norwegian Specs Only)	
		Ref	Decal Kit Options:	
	2901912	1	Master Kit (Includes Items 10-15)	5
		Ref	Multi-Color Kit Options (Includes Items 18-21):	
	2901914	1	Australian Spec (Note: Kit generic and includes item not required for this spec. Consider ordering only the decals required)	
	2901927	1	Dutch Spec	
	2901924	1	French Spec	
	2901929	1	German Spec	
	2901928	1	Italian Spec	
	2901914	1	Norwegian Spec (Note: Kit is generic and includes items not required for this spec. Consider ordering only the decals required)	
	2901925	1	Spain Spec	
	2901914	1	UK Spec (Note: Kit is generic and includes items not required for this spec. Consider ordering only the decals required)	
		Ref	OPTIONAL DECAL INSTALLATIONS	
101	1701785	4	Decal - Outrigger Warning Options: (Optional - Not Shown)	
102	1702788	1	Decal - Biodegradable Oil (Optional)	
103	1701505	1	Decal - Fuel	
104		Ref	Decal - Capacity Options:	
104	1704530	1	Decal - Capacity 330CRT (450KG)	
104	1704580	1	Decal - Capacity 400CRT (380KG)	
106		Ref	Decal - Model Options:	
106	1704545	2	Decal - Model 330CRT	
106	1704546	2	Decal - Model 400CRT	
107		Ref	Decal - Maximum Tire Load Options:	
107	1704426	4	Decal - Maximum Tire Load 330CRT	

SECTION 8 - DECALS

ITEM	PART NUMBER	QTY	DESCRIPTION	REV
107	1704427	4	Decal - Maximum Tire Load 400CRT	
108		Ref	Decal - Maximum Load Options: (Optional - Not Shown)	
108	1704746	4	Decal - Maximum Load 330CRT	
108	1704747	4	Decal - Maximum Load 400CRT	
109	0251642	AR	Decal - Warning Stripe	
	0270263	Ref	JLG Decals Installation	
110	1702773	4	Decal - JLG	
111	1704885	3	Decal - Website	

SECTION 9 - RECOMMENDED SERVICE PARTS STOCK

SECTION 9 - RECOMMENDED SERVICE PARTS STOCK

SECTION 9 - RECOMMENDED SERVICE PARTS STOCK

FIGURE 9-1. MODEL 330/400CRT STANDARD PARTS

ITEM	PART NUMBER	QTY	DESCRIPTION	REV
	Note	Ref	The following list will service fleets of machines (built to current production per data on the front cover) with emergency repair parts which can be installed in the field. Parts from the list should be replaced when inventory is depleted to keep service parts stock supplied. For further information, contact your JLG dealer or thr JLG Industries Parts Department.	
		Ref	STANDARD PARTS	
	3740049	1	Relay (for fleets of 1 to 4)	
	3740049	1	Relay (for fleets of 4 to 9)	
	3740049	1	Relay (for fleets of 10 or more)	
	7017923	12	Filter, Engine Oil (for fleets of 1 to 4)	
	7017923	12	Filter, Engine Oil (for fleets of 4 to 9)	
	7017923	12	Filter, Engine Oil (for fleets of 10 or more)	
	7023177	1	Solenoid, Stop (for fleets of 1 to 4)	
	7023177	1	Solenoid, Stop (for fleets of 4 to 9)	
	7023177	1	Solenoid, Stop (for fleets of 10 or more)	
	7023138	4	Filter, Engine Fuel (for fleets of 1 to 4)	
	7023138	8	Filter, Engine Fuel (for fleets of 4 to 9)	
	7023138	12	Filter, Engine Fuel (for fleets of 10 or more)	
	7017938	4	Element, Air Filter (for fleets of 1 to 4)	
	7017938	8	Element, Air Filter (for fleets of 4 to 9)	
	7017938	12	Element, Air Filter (for fleets of 10 or more)	
	2120210	4	Element, Pressure Filter (for fleets of 1 to 4)	
	2120210	8	Element, Pressure Filter (for fleets of 4 to 9)	
	2120210	12	Element, Pressure Filter (for fleets of 10 or more)	
	7014811	1	Breather, Hydraulic (for fleets of 1 to 4)	
	7014811	1	Breather, Hydraulic (for fleets of 4 to 9)	
	7014811	1	Breather, Hydraulic (for fleets of 10 or more)	
	7012944	1	Coil (for fleets of 1 to 4)	
	7012944	1	Coil (for fleets of 4 to 9)	
	7012944	1	Coil (for fleets of 10 or more)	
	7011376	1	Coil (for fleets of 1 to 4)	
	7011376	1	Coil (for fleets of 4 to 9)	
	7011376	1	Coil (for fleets of 10 or more)	
	4360070	1	Breaker, Circuit (for fleets of 1 to 4)	
	4360070	1	Breaker, Circuit (for fleets of 4 to 9)	
	4360070	1	Breaker, Circuit (for fleets of 10 or more)	
	4360328	1	Switch, Toggle (for fleets of 1 to 4)	
	4360328	1	Switch, Toggle (for fleets of 4 to 9)	
	4360328	1	Switch, Toggle (for fleets of 10 or more)	
	4360387	1	Switch, Push Button (for fleets of 1 to 4)	
	4360387	1	Switch, Push Button (for fleets of 4 to 9)	
	4360387	1	Switch, Push Button (for fleets of 10 or more)	
	4360470	1	Switch, Key (for fleets of 1 to 4)	
	4360470	1	Switch, Key (for fleets of 4 to 9)	
	4360470	1	Switch, Key (for fleets of 10 or more)	
	2860030	1	Key, Replacement (Set of 2) (for fleets of 1 to 4)	
	2860030	1	Key, Replacement (Set of 2) (for fleets of 4 to 9)	
	2860030	1	Key, Replacement (Set of 2) (for fleets of 10 or more)	

SECTION 9 - RECOMMENDED SERVICE PARTS STOCK

ITEM	PART NUMBER	QTY	DESCRIPTION	REV
	4360475	1	Switch, Mushroom (for fleets of 1 to 4)	
	4360475	1	Switch, Mushroom (for fleets of 4 to 9)	
	4360475	1	Switch, Mushroom (for fleets of 10 or more)	
	4360481	1	Block, Switch (for fleets of 1 to 4)	
	4360481	1	Block, Switch (for fleets of 4 to 9)	
	4360481	1	Block, Switch (for fleets of 10 or more)	
	2940074	1	Latch (Door Platform Entry) (for fleets of 1 to 4)	
	2940074	1	Latch (Door Platform Entry) (for fleets of 4 to 9)	
	2940074	1	Latch (Door Platform Entry) (for fleets of 10 or more)	
	0610135	1	Board, PC Display (for fleets of 1 to 4)	
	0610135	1	Board, PC Display (for fleets of 4 to 9)	
	0610135	1	Board, PC Display (for fleets of 10 or more)	
	4360482	1	Switch, Toggle (for fleets of 1 to 4)	
	4360482	1	Switch, Toggle (for fleets of 4 to 9)	
	4360482	1	Switch, Toggle (for fleets of 10 or more)	
	4360483	1	Switch, Toggle (for fleets of 1 to 4)	
	4360483	1	Switch, Toggle (for fleets of 4 to 9)	
	4360483	1	Switch, Toggle (for fleets of 10 or more)	
	7027367	1	Switch Assembly (for fleets of 1 to 4)	
	7027367	1	Switch Assembly (for fleets of 4 to 9)	
	7027367	1	Switch Assembly (for fleets of 10 or more)	
	70000081	1	Potentiometer (for fleets of 1 to 4)	
	70000081	1	Potentiometer (for fleets of 4 to 9)	
	70000081	1	Potentiometer (for fleets of 10 or more)	
	3990010	2	Diode - 6A 600V (for fleets of 1 to 4)	
	3990010	2	Diode - 6A 600V (for fleets of 4 to 9)	
	3990010	2	Diode - 6A 600V (for fleets of 10 or more)	

SECTION 9 - RECOMMENDED SERVICE PARTS STOCK

FIGURE 9-2. MODEL 330/400CRT VARIABLE PARTS

ITEM	PART NUMBER	QTY	DESCRIPTION	REV
	Note	Ref	The following list will service fleets of machines (built to current production per date on the front cover) with emergency repair parts which can be installed in the field. Parts from the list should be replaced when inventory is depleted to keep service parts stock supplied. For further information, contact your JLG dealer or the JLG Industries Parts Department.	
		Ref	VARIABLE PARTS	
	2400056	2	Fuse 5 Amp (Beacon Light Option) (for fleets of 1 to 4)	
	2400056	2	Fuse 5 Amp (Beacon Light Option) (for fleets of 4 to 9)	
	2400056	2	Fuse 5 Amp (Beacon Light Option) (for fleets of 10 or more)	
	4360548	1	Switch, Limit (for fleets of 1 to 4)	
	4360548	1	Switch, Limit (for fleets of 4 to 9)	
	4360548	1	Switch, Limit (for fleets of 10 or more)	
	2900838	1	U.S. Standards Fastener (Hardware) Kit (for fleets of 1 to 4)	
	2900838	1	U.S. Standards Fastener (Hardware) Kit (for fleets of 4 to 9)	
	2900838	1	U.S. Standards Fastener (Hardware) Kit (for fleets of 10 or more)	
	7014676	1	U.S. Standards Tool Kit (for fleets of 1 to 4)	
	7014676	1	U.S. Standards Tool Kit (for fleets of 4 to 9)	
	7014676	1	U.S. Standards Tool Kit (for fleets of 10 or more)	

SECTION 10 - SPECIAL OPTIONS

SECTION 10 - SPECIAL OPTIONS

FIGURE 10-1. SPECIAL OPTIONS

ITEM	PART NUMBER	QTY	DESCRIPTION	REV
	Note	Ref	Note: This list is to accommodate machines ordered with special equipment. Option may not be applicable to all models. For more specific parts information contact JLG Part Department.	
		Ref	MISCELLANEOUS SPECIAL OPTIONS	
	0270543	Ref	BUBBLE LEVEL INSTALLATION	
	1702788	Ref	DECAL - BIODEGRADABLE OIL	
	0251642	Ref	DECAL INSTALLATION - CORNER STRIPES	
		Ref	ELECTRICAL CONNECTOR KITS	
	1001148902	Ref	Amp/Tyco Electrical Connector Kit	
	1001148903	Ref	Deutsch DT Electrical Connector Kit	
	1001148904	Ref	Deutsch HD Electrical Connector Kit	
	1001148905	Ref	Packard Electrical Connector Kit	
	1001148906	Ref	Various Electrical Connectors Kit	
		Ref	Filter Kits:	
	1001111691	1	Combined Filter Kit (Hydraulic/Air and Fuel/Engine Oil) (was p/n 2910494)	
	1001111666	1	Hydraulic/Air Filter	
	1001111681	1	Fuel/Engine Oil Filter	
		Ref	FRAME WELDMENT OPTIONS:	
	2360509	1	4WD 330CRT with Fixed Rear Axle	
	2360520	1	4WD 400CRT with Fixed Rear Axle	
		Ref	Hydraulic Fluids Options:	
	2300014	Ref	Mobil 424	
	2300027	Ref	Mobil 224H Bio	
	2300016	Ref	Mobil DTE 13M	
	2300021	Ref	Union Carbide Ucon HP5046 Fire Resistant	
		Ref	KIT OPTIONS: - TIE-STRAPS	
	0270494	1	Kit 330CRT	
	0270495	1	Kit 400CRT	
		Ref	LIFT OVERLOAD OPTIONS: (CE Spec Only)	
	0271644	1	Lift Overload 330CRT (Lift Down)	
	0271645	1	Lift Overload 400CRT (Lift Down)	
	0271644	1	Lift Overload 330CRT (All Function Cutout)	
	0271645	1	Lift Overload 400CRT (All Function Cutout)	
	0257049	Ref	PIPE RACKS INSTALLATION	
	0100040	Ref	SEALANT	
		Ref	WORKLIGHTS INSTALLATION OPTIONS:	
	0259596	1	Worklights Installation 330CRT	
	0270410	1	Worklights Installation 400CRT	
		Ref	TOOLS FOR SERVICE	
	7002818	1	Crimper (For Wire to Pin/Socket Connections)	
	7002840	1	Extractor, Anti-Rotation Pin (Used on Axle Lockout Valve)	
	7002823	1	Extractor (For Removal of Pin/Socket from Connectors)	
	4460467	1	Extractor, Pin (Blue 16-18 Gauge) (For Removal of Pin/Socket from Connectors)	
	4460510	1	Extractor, Pin (Yellow 12-14 Gauge) (For Removal of Pin/Socket from Connectors)	
	7004275	1	Seal Tool (For 1in Diameter Seals)	
	7004276	1	Seal Tool (For 1 1/2in Diameter Seals)	

SECTION 10 - SPECIAL OPTIONS

ITEM	PART NUMBER	QTY	DESCRIPTION	REV
	7002826	1	Seal Tool (For 2in Diameter Seals)	
	2900838	1	U.S. Standards Fastener (Hardware) Kit	
	7014676	1	U.S. Standards Tool Kit	
	7002820	1	Arbor Set	
	1001137005	1	Software USB Cable Kit	

PART NUMBER INDEX

SECTION 10 - SPECIAL OPTIONS

0080228.....97, 99	0259594.....71	0641410.....27, 50	1060461.....124
01000119, 11, 13, 27, 41, 45, 49, 59, 63, 67, 71, 75, 77, 78, 91, 93, 95, 97, 99, 100	0259596.....138	0641416.....11	1060680.....123, 124, 125
0100019.....11, 41, 45	0259599.....129	0641418.....27, 63, 67	1060797.....100
0100020.....27, 59	0259600.....129	0641506...41, 49, 50, 97, 99	1060798.....100
0100035.....93, 95	0259602.....129	0641508.....27, 39	1060808.....77, 78
0100038.....91, 93	0259603.....129	0641510.....63, 78	1060815.....122
0100040.....138	0259604.....129	0641516.....77, 78	1060823.....28
0100048.....78	0259605.....129	0641524.....49	1060824.....28
0100075.....108, 112	0259606.....129	0641526.....100	1060846.....97, 99
0140001.....50	0259611.....45	0641528.....45	1100110.....63, 67
0140011.....81	0259613.....59	0641607.....71	1120108.....93, 95
0140032.....124	0259649.....11	06416089, 27, 28, 45, 63, 67, 75	1120485.....59
0181684.....78	0259652.....13	0641609.....45	1320016.....27
0181847.....81	0259839.....50	0641610...11, 63, 67, 75	1320022.....28
0182005.....45	0259840.....50	0641612.....71	1320061.....77
0182008.....71	0259851.....27	0641632.....27	1320110.....64, 68
0182035.....78	0259859.....99, 100	0641672.....27	1320122.....99
0200654.....63	0259947.....41	0641676.....78	1320274.....27
0200655.....63	0259948.....41	0641812.....27, 28	1380136.....49
0200656.....63	0270069.....50, 57	0641814.....27, 41	1600308.....81, 85
0200657.....63	0270102.....122	0641824.....41, 71	1600403.....81, 87
0200658.....63	0270105.....122	0641826.....71	1670926.....49
0200659.....63	0270110.....124	0641830.....45	1670931.....59
0200660.....63	0270111.....124	0642012.....11	1670933.....41
0200661.....63	0270198.....81	0642018.....9	1670934.....41
0200667.....63	0270251.....13	0651404.....49	1670935.....41
0200668.....63	0270252.....13	0681506.....93	1670936.....41
0200669.....63	0270263.....131	0681508.....78	1670937.....41
0200683.....67	0270351.....13	0681520.....63, 67	1670943.....41
0200684.....67	0270384.....41	0681606.....93	1670945.....27
0200685.....67	0270385.....41	0681622.....63, 67	1670965.....64, 68
0200686.....67	0270410.....138	0681624.....63, 67	1670971.....45
0200687.....67	0270424.....50, 57	0681812.....13	1670995.....99
0200688.....67	0270451.....81	0682016.....45	1681283.....93, 95
0200689.....67	0270494.....138	0700619.....78	1682723.....93
0200690.....67	0270495.....138	0700808.....27	1683076.....91
0200691.....67	0270514.....41	0760812.....27	1683572.....91
0200692.....67	0270543.....138	0840025.....28	1683574.....91
0200693.....67	0270742.....11	0840026.....27	1683807.....9, 103
0200694.....67	0271644.....138	0860038.....124	1683858.....63, 97
0200695.....67	0271645.....138	0860520.....129	1683891.....67, 99
0200696.....67	0273208.....129	0861315.....57	1683892.....67, 99
0251642.....131, 138	0320015.....93	0861357.....81	1683966.....93
0257049.....138	0362840.....63	0861357.....81	1683967.....93, 95
0259105.....63, 97	0362841.....63, 67	0901870.....77	1683978.....11, 91
0259336.....9	0400002.....27	0902421.....97, 99	1684206.....95
0259337.....9	0400003.....27	0902499.....81	1684217.....45, 95
0259381.....27	0440228.....9	0902540.....63, 67	1700584.....129
0259460.....13	0440234.....63, 67, 75	0902573.....100	1701505.....130
0259559.....49	0440236.....63, 67	0902590.....50	1701509.....129
0259560.....59	0561373.....100	0902613.....27	1701785.....130
0259561.....67, 99	0561374.....100	0902624.....27	1702153.....130
0259562.....41	0561407.....45	0940090.....67, 78	1702573.....129
0259563.....75	0561410.....71	0961950.....11	1702773.....131
0259564.....75	0561411.....71	0962257.....9	1702788.....130, 138
0259565.....77	0561415.....71	0962474.....91	1702928.....130
0259568.....77	0610134.....57	1001111666.....138	1703175.....75
0259576.....41	0610135.....81, 135	1001111681.....138	1703687.....130
0259577.....41	0610140.....57	1001111691.....138	1703811.....129
0259588.....124	0630476.....75	1001137005.....139	1703812.....129
0259589.....124	0641404.....27, 50, 81	1001148902.....138	1703814.....129
0259591.....39	0641405...41, 50, 71, 129	1001148903.....138	1703818.....129, 130
0259592.....39	0641406...41, 45, 50, 78	1001148904.....138	1703819.....129
0259593.....39	0641407...11, 41, 49, 59, 71, 78	1001148905.....138	1703841.....129
	0641408.....64, 68	1001148906.....138	1703865.....129
	0641409.....71	1060279.....129	1703882.....129
			1703887.....129

SECTION 10 - SPECIAL OPTIONS

1703894.....	129	2220600.....	108, 111	2752622.....	107, 111	2940127.....	78
1704211.....	129	2220603.....	107, 111	2752632.....	107, 111	3020022.....	64, 68, 78
1704277.....	129	2220606.....	111	2752643.....	107, 111	3160244.....	13, 19
1704412.....	130	2220621.....	107, 111	2753059.....	108, 111, 115	3160253.....	13, 23
1704426.....	130	2220628.....	112	2753118.....	107, 111	3160254.....	13, 17
1704427.....	131	2220635.....	11, 107, 111, 115	2753120.....	107, 111, 115	3160255.....	13, 15
1704462.....	57	2220651.....	112	2753327.....	115	3252507.....	124
1704479.....	130	2220657.....	112	2753399.....	107, 111	3252695.....	81
1704530.....	130	2220677.....	112	2753400.....	107, 111	3271505.....	78
1704545.....	130	2220738.....	108, 112	2753401.....	107, 111	3272001.....	45
1704546.....	130	2220819.....	108, 112, 115	2753402.....	107, 111	3290601.....	78
1704551.....	130	2220827.....	107, 112	2753404.....	107	3290801.....	27
1704552.....	130	2220828.....	108, 112	2753405.....	107	3300029.....	27
1704556.....	129	2220849.....	107, 111	2753406.....	107	3300048.....	125
1704574.....	82	2220883.....	45, 93, 95	2753407.....	107, 111	3300151.....	63, 67, 77, 78
1704580.....	130	2220885.....	91	2753410.....	107, 111	3300281.....	93
1704589.....	81	2220899.....	108, 112	2753411.....	107, 111	3300356.....	77, 78
1704605.....	129	2220906.....	107	2753412.....	107, 111	3300374.....	28
1704619.....	129	2220919.....	108, 112	2753413.....	107, 111	3300409.....	9
1704620.....	129	2220947.....	107, 111	2753414.....	111	3300420.....	78
1704621.....	129	2221042.....	107, 111	2753415.....	111	3300432.....	77
1704622.....	129	2221046.....	27	2753418.....	107, 111	3300465.....	95
1704624.....	81	2221047.....	27	2753473.....	107, 111	3310601.....	81
1704625.....	130	2221050.....	108, 111, 112	2753476.....	107	3310805.....	45, 49
1704626.....	129	2221069.....	108, 112	2753477.....	111	3311401.....	67, 78
1704649.....	129	2221070.....	107, 112	2753478.....	111	3311405... 11, 27, 28, 49, 50, 64, 68, 71, 78, 130	
1704672.....	129	2230024.....	107, 112	2753479.....	111	3311505... 27, 39, 45, 49, 50, 63, 67, 77, 78	
1704673.....	129	2230043.....	107, 112	2753480.....	112	3311601.....	59
1704674.....	129	2300014.....	138	2753485.....	112	3311605... 11, 28, 45, 63, 67, 75, 78	
1704680.....	130	2300016.....	138	2753486.....	112	3311805... 27, 41, 63, 67, 71	
1704681.....	130	2300021.....	138	2753487.....	112	3312005.....	9
1704682.....	130	2300027.....	138	2753506.....	107, 111	3321402.....	97, 99
1704746.....	131	2360509.....	138	2753507.....	107, 111	3322002.....	9
1704747.....	131	2360520.....	138	2753508.....	108, 112	3322201.....	11
1704885.....	131	2360525.....	9	2792396.....	116	3322202.....	28, 77
1705257.....	129	2360527.....	9	2792397.....	116	3340856.....	63, 67, 75
1705263.....	130	2400056.....	124, 136	2792415.....	107, 116	3340866.....	63
1705267.....	130	2420172.....	57	2792429.....	111, 116	3340895.....	81
1705386.....	130	2420191.....	59	2792430.....	116	3421565.....	77, 78
1705711.....	81	2540020.....	77	2792449.....	115, 116	3422219.....	77, 78
1705729.....	57	2540036.....	27	2820018.....	39	3422369.....	63, 67
1705947.....	81	2560088.....	77	2820097.....	77	3422592.....	11
1705948.....	81	2560141.....	81	2860030.....	57, 134	3422745.....	11
1780317.....	50	2560150.....	100	2900770.....	91, 95	3422778.....	63, 67
2000169.....	27, 28	2560163.....	27	2900838.....	136, 139	3422803.....	9
2080052....	41, 45, 49, 59	2600147.....	50	2901443.....	125	3422821.....	63, 67
2080056.....	71	2600253.....	77	2901548.....	91	3422822.....	63, 67
2080057.....	129	2720058.....	27	2901912.....	130	3422823.....	75
2080058.....	71	2720271.....	27	2901914.....	130	3422824.....	75
2080059.....	11	2720339.....	27	2901924.....	130	3422825.....	63, 67
2080069.....	77	2720456.....	27	2901925.....	130	3422826.....	63, 67
2120146.....	49	2720457.....	27	2901927.....	130	3422828.....	11
2120150.....	49	2750909.....	115	2901928.....	130	3431220.....	9
2120172.....	108, 112	2750916.....	115	2901929.....	130	3440420.....	45
2120209.....	49	2750991.....	115	2901930.....	64	3450304.....	63, 67
2120210.....	49, 134	2751852.....	108, 112	2901931.....	68	3450405.....	97, 99
2220366.....	107, 111	2752463.....	107, 111	2901941.....	93, 95	3450406.....	9
2220371....	107, 111, 115	2752469.....	107, 111	2901943.....	93	3460314.....	27
2220376.....	108, 112	2752471.....	107, 111	2902023.....	71	3460316.....	27
2220451.....	107, 111	2752472.....	115	2902126.....	71	3480092.....	93, 95
2220472.....	107, 111	2752476.....	115	2902127.....	71	3510723.....	75
2220473....	107, 111, 115	2752478.....	107, 111	2910479.....	27	3510734.....	75
2220490....	107, 111, 115	2752479.....	107, 111	2920026.....	57, 82	3520030.....	57
2220490....	107, 111, 115	2752480.....	108	2920029.....	57, 82		
2220501.....	107, 112	2752484.....	107, 111	2920146.....	39		
2220502.....	107, 111	2752493.....	107, 111	2940074.....	77, 135		
2220507.....	108, 112			2940126.....	49		
2220582.....	112						

SECTION 10 - SPECIAL OPTIONS

3520071.....41	3941004.....39	4460465 ... 122, 123, 124, 125	4751400.... 41, 45, 59, 71, 78
3520072.....78	3951603..... 63, 68	4460467 125, 138	4751500.... 41, 45, 50, 64, 68, 77
3520080.....81	3960525..... 59	4460468 122	4751600.... 27, 28, 45, 64, 68, 71
3520193..... 57, 82	3980003..... 28	4460470 81, 122	4751800..... 41
3536708.....93	3990010..... 122, 135	4460471 81, 122	4752200..... 28, 78
3537609.....77	4060802..... 81	4460473 122	4760600..... 57, 81
3537619.....77	4060803..... 41	4460480 81, 122	4761000..... 57
3538047.....11	4060808..... 49	4460481 122	4761400..... 50
3571653.....41	4061003..... 45	4460499 123	4761500..... 49
3571829.....77	4061013..... 71	4460510 125, 138	4761600..... 27
3571862.....78	4061014..... 71	4460662 124	4791400..... 81
3572029..... 11, 41	4061015..... 71	4460812 122	4845938..... 81
3572229..... 49	4070878..... 11	4460817 122	4845986..... 64, 68
3572362..... 49	4070879..... 11	4460818 122	4845987..... 75
3572410..... 71	4070987..... 57	4460819 122	4846020..... 64, 68
3572411..... 71	4070991..... 57	4460824 123	4846036..... 27
3572449..... 71	4130367..... 9	4460825 123	4846117..... 77
3572450..... 71	4130372..... 9	4460827 123	4846120..... 77
3572452..... 71	4160116..... 45	4460828 122	4846121..... 77
3572782..... 45	4160189..... 28	4460829 123	4846122..... 77
3573513..... 95	4240139..... 59	4460834 122	4846123..... 77
3600300..... 28, 31	4240143..... 27	4460845 122	4846124..... 77
3600313..... 28	4280295..... 99	4460846 122	4846125..... 77
3600414..... 28, 35	4280311..... 71	4460867 125	4846156..... 11
3730117..... 123	4280312..... 71	4460968 124, 125	4846159..... 42
3740049..... 27, 123, 134	4280313..... 71	4520238 13	4846181..... 77
3760115..... 11	4340715..... 71	4565647 93	4846191..... 77
3760170..... 77, 78	4340716..... 71	4568114 50	4846221..... 27
3760261..... 93	4340717..... 71	4640113 13	4846224..... 45
3760321..... 75	4340718..... 71	4640495 93, 95	4846225..... 45
3760348..... 28, 77	4360070..... 57, 134	4640757 112	4846249..... 81
3760367..... 91	4360321 124, 125	4640858 91	4846256..... 78
3760387..... 64, 68	4360328 57, 134	4641001 97, 99	4846275..... 42
3760420..... 63, 68	4360387 57, 81, 134	4641002 97	4846282..... 42
3760453..... 93	4360470 57, 134	4641118 99	4846584..... 95
3760460..... 95	4360475 57, 81, 135	4641143 11	4860217..... 13
3820019..... 49	4360481 57, 135	4641147 49, 55	4891800..... 13
3820020..... 78	4360482 81, 135	4641150 45	4892000..... 45
3841143..... 11, 63, 68, 75	4360483 81, 135	4641151 45	4922321..... 64, 123
3841146..... 9	4360497 11	4641152 45	4922336..... 123
3841233..... 28, 77	4360548 ... 124, 125, 136	4641156 93, 95	4922339..... 57, 123
3841258..... 11	4400426..... 49	4641157 49, 53	4922343..... 50, 122
3841326..... 45	4400427 59	4641163 91	4922345..... 68, 123
3841367..... 11	4420008..... 81	4641168 99	4922378..... 57, 123
3841432..... 9	4420037..... 59	4641172 97, 99	4922383..... 122
3841469..... 9	4420052..... 45	4711400 ... 11, 27, 28, 41, 49, 50, 68, 71, 97, 99, 130	4922384..... 122
3860059..... 28, 77	4420055 78	4711500 ... 39, 49, 64, 68, 75, 78	4922391..... 81, 122
3900128..... 59	4460044 124	4711600 ... 11, 28, 59, 64, 68, 78	4922392..... 122
3900170..... 93	4460071 125	4711800 27, 28, 45, 71	4922425..... 39, 124
3900178..... 81	4460226 87	4712200 9	4922426..... 39, 124
3900184..... 28	4460248 124	4713000 95	4922437..... 81, 122
3900208..... 49	4460259 123	4740120 81	4922441..... 50, 122
3900248..... 100	4460260 123	4740158 11	4922446..... 122
3900265..... 81	4460265 85, 87, 124	4740332 64, 68	4922447..... 122
3900267..... 77	4460266 85, 87, 122	4740415 45	4922454..... 45, 125
3900281..... 57	4460267 85, 87, 122, 123, 125	4740480 63, 67	4922455..... 45, 125
3900289..... 49	4460268 85, 123, 124, 125	4740493 28	4922465..... 11, 125
3900321..... 95	4460320 ... 123, 124, 125	4740501 9	4922630. 63, 67, 123, 124
3910606..... 57	4460321 123	4750600 57	70000081..... 87, 135
3910616..... 57	4460328 125	4750800 45, 49, 64, 68	70000082..... 87
3910804..... 57	4460424 ... 122, 123, 125	4751000 59, 77	70000083..... 87
3911010..... 77	4460428 124, 125		70000084..... 87
3911428..... 77, 78	4460434 123		70000085..... 87
3911532..... 77, 78	4460449 123		
3911536..... 77	4460464 122		
3930820..... 45, 63, 68			
3931516..... 91			

SECTION 10 - SPECIAL OPTIONS

70000683	87	7017968	28	7022531	53	7023289	15, 17
70000684	87	7017969	28	7022585	20, 24	7023290	15, 17
70000685	87	7017995	28	7022586	19, 23	7023291	15, 17
70000686	87	7018408	17	7022587	19, 23	7023292	15, 17
70001140	29	7018411	15, 17	7022588	19, 23	7023293	17
70001865	29	7018435	15	7022589	19, 23	7023294	17
70001968	35	7018436	15, 17	7022590	19, 23	7023295	17
70002861	28	7018901	53	7022591	19, 23	7023296	17
70003339	35	7018903	53	7022592	19, 23	7023297	17
70003340	36	7018904	53	7022593	19, 23	7023298	17
7002818	138	7018936	35	7022594	19, 23	7023300	15, 17
7002820	139	7018942	53, 55	7022595	19, 23	7023301	15, 17
7002821	125	7019602	97, 99	7022596	19, 23	7023302	15, 17
7002823	125, 138	7019880	97, 100	7022597	19, 23	7023303	15, 17
7002826	139	7019884	97, 100	7022598	19, 23	7023304	17
7002828	125	7019885	100	7022599	19, 23	7023305	17
7002840	11, 138	7019886	97, 100	7023009	103	7023800	19, 23
7003212	100	7019887	100	7023010	103	7023806	19, 23
7003226	97, 99	7019888	100	7023124	29	7023807	19, 23
7003790	85	7019889	97, 100	7023126	29	7023809	55
7003791	85	7019890	100	7023133	29	7023810	55
7004275	138	7019891	100	7023134	28	7023834	31
7004276	138	7019892	100	7023137	28	7023854	32
7010542	53	7019893	100	7023138	28, 134	7023855	32
7010543	53	7019894	100	7023141	28	7023856	32
7011344	55	7019895	100	7023142	28	7023859	32
7011376	134	7019896	97	7023143	28	7023866	19
7011940	85	7019897	97	7023144	28	7023877	31
7011997	85	7019898	97	7023148	29	7023878	31
7012693	11	7020020	49	7023149	29	7023879	31
7012773	53, 55	7020175	57, 81	7023160	29	7023881	31, 35
7012903	45	7020176	57, 81	7023164	29	7023882	31
7012941	53	7020218	97, 99	7023166	29	7023883	31
7012943	46, 97, 99	7020253	49	7023167	29	7023884	31
7012944	53, 99, 134	7020256	49	7023168	29	7023885	31, 35
7012953	53, 97	7020257	59	7023169	28	7023886	31
7012967	53, 55	7020500	85	7023170	28	7023887	31, 35
7012975	55	7020501	85	7023172	29	7023888	31, 35
7012998	53, 97, 99	7020502	85	7023173	29	7023889	31
7014676	136, 139	7020503	85	7023177	28, 134	7023890	32
7014802	49	7020504	85	7023178	123	7023891	32
7014811	49, 134	7020509	85	7023179	123	7023892	32
7014812	49	7020511	85	7023180	123	7023893	32
7014813	49	7020520	85	7023181	123	7023894	32
7014816	49	7020527	85	7023182	123	7023895	32
7016312	49	7020528	85	7023183	123	7023896	32
7016319	39	7020529	85	7023186	28	7023897	32
7016372	39	7020530	85	7023187	28	7023898	32
7017226	103	7020533	85	7023188	29	7023899	32
7017290	103	7020534	85	7023196	29	7024000	32
7017291	103	7020535	85	7023199	28	7024001	32
7017294	103	7020541	85	7023206	49	7024002	32
7017410	53	7021375	53	7023208	53	7024003	32
7017418	53	7021376	53, 55	7023209	53	7024004	33, 36
7017444	97, 99	7021629	53	7023210	53	7024005	33, 36
7017445	97, 99	7021646	53	7023276	15, 17	7024006	33
7017467	99	7021649	53	7023278	15, 17	7024064	35
7017901	28	7021650	53	7023279	15, 17	7024065	35
7017904	29	7021651	53	7023280	15, 17	7024068	35, 36
7017908	29	7021653	45	7023281	15, 17	7024069	35
7017923	28, 134	7022380	31	7023282	15, 17	7024070	31, 35
7017924	28	7022389	28	7023283	15, 17	7024071	35
7017938	28, 134	7022524	55	7023284	15, 17	7024072	35
7017942	29	7022527	53	7023285	15	7024073	35
7017963	29	7022528	55	7023286	15, 17	7024075	35
7017964	29	7022529	53	7023287	15, 17	7024076	35
7017967	28	7022530	53	7023288	15, 17	7024077	35

SECTION 10 - SPECIAL OPTIONS

7024081.....	36	7024088.....	36	7026202.....	29	7027766.....	87
7024082.....	36	7024089.....	36	7026203.....	29	7027888.....	15, 17
7024083.....	36	7024908.....	36	7026205.....	29	7028877.....	35
7024084.....	36	7024963.....	19	7026207.....	29	80934596.....	35
7024085.....	36	7024964.....	19	7026211.....	29	80934644.....	36
7024086.....	36	7024965.....	19	7027367.....	87, 135		
7024087.....	36	7026191.....	17	7027765.....	87		



**Corporate Office
JLG Industries, Inc.
1 JLG Drive
McConnellsburg, PA 17233-9533 USA
☎ (717) 485-5161 (Corporate)
☎ (877) 554-5438 (Customer Support)
📠 (717) 485-6417**

**Visit our website for JLG Worldwide Locations.
www.jlg.com**



OSHKOSH™