



---

# Illustrated Parts Manual

**Models**  
**LIFTLUX 153-12**  
**&**  
**LIFTLUX 180-12**

*SN 20463 to Present*  
*including*  
*SN 18432 & SN 19930*

**3121338**

May 29, 2013



---

An Oshkosh Corporation Company



## REVISION LOG

May 1, 2008 - Original Issue of Manual (Edited to B/M 0010706 Revision 3)

August 15, 2008 - Revised Manual (Edited to B/M 0010706 Revision 3)

March 30, 2009 - Revised Manual (Edited to B/M 0010706 Revision 4)

November 15, 2009 - Revised Manual (Edited to B/M 0010706 Revision 6)

May 29, - 2013 - Revised Manual (Edited to B/M 0010706 Revision 6)





# TABLE OF CONTENTS

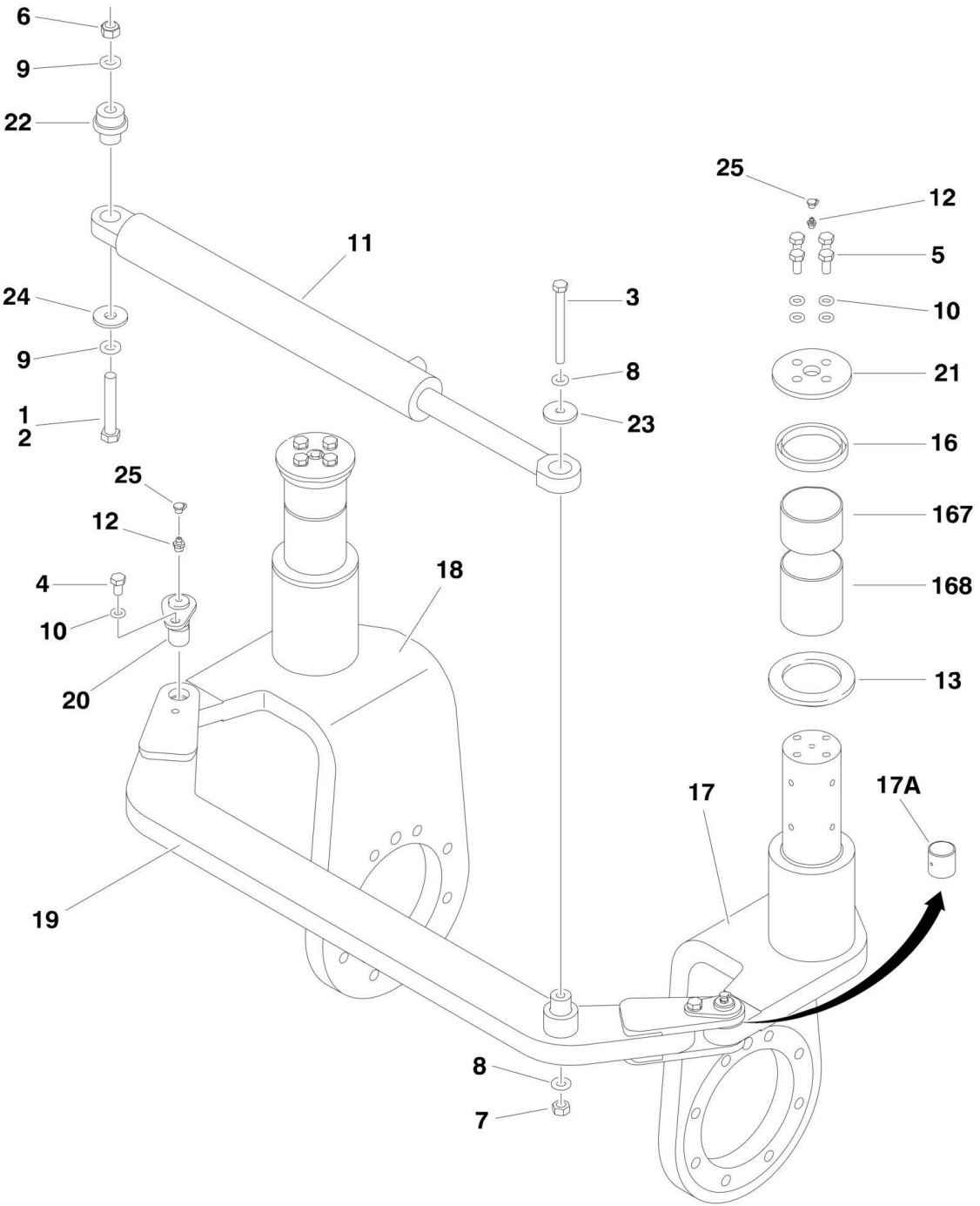
SECTION 1 - FRAME.....	7
FIGURE 1-1. STEERING INSTALLATION .....	8
FIGURE 1-2. REAR AXLE INSTALLATION .....	10
FIGURE 1-3. WHEEL DRIVE INSTALLATION.....	12
FIGURE 1-4. DRIVE MOTOR ASSEMBLY .....	14
FIGURE 1-5. DRIVE HUB ASSEMBLY .....	16
FIGURE 1-6. BATTERY CHARGER, LADDER AND BUMPER INSTALLATIONS.....	20
SECTION 2 - GROUND CONTROLS .....	23
FIGURE 2-1. LEFT AND RIGHT SIDE COMPONENTS INSTALLATION .....	24
FIGURE 2-2. MAIN VALVE ASSEMBLY .....	28
FIGURE 2-3. HAND PUMP ASSEMBLY (Prior to SN 1200020611).....	30
FIGURE 2-4. MAIN TERMINAL BOX ASSEMBLY .....	32
FIGURE 2-5. HOODS INSTALLATION .....	34
SECTION 3 - SCISSORS ARMS .....	37
FIGURE 3-1. SCISSORS ARMS INSTALLATION.....	38
SECTION 4 - PLATFORM.....	47
FIGURE 4-1. PLATFORM AND ACCESSORIES INSTALLATION.....	48
FIGURE 4-2. CONSOLE BOX INSTALLATION .....	52
SECTION 5 - CYLINDER.....	55
FIGURE 5-1. LIFT CYLINDER ASSEMBLY .....	56
FIGURE 5-2. STEERING CYLINDER ASSEMBLY .....	58
SECTION 6 - HYDRAULIC .....	61
FIGURE 6-1. HYDRAULIC DIAGRAM.....	62
SECTION 7 - ELECTRICAL .....	67
FIGURE 7-1. ELECTRICAL PLANS .....	68
FIGURE 7-2. HARNESS COMPONENTS INSTALLATION.....	84
SECTION 8 - DECALS.....	89
FIGURE 8-1. DECAL INSTALLATION.....	90
SECTION 9 - RECOMMENDED SERVICE PARTS STOCK .....	93
FIGURE 9-1. MODELS LIFTLUX 153-12 AND LIFTLUX 180-12 STANDARD PARTS.....	94
FIGURE 9-2. MODELS LIFTLUX 153-12 AND LIFTLUX 180-12 VARIABLE PARTS .....	96
SECTION 10 - SPECIAL OPTIONS.....	97
FIGURE 10-1. SPECIAL OPTIONS.....	98
PART NUMBER INDEX .....	99



**SECTION 1 - FRAME**

# SECTION 1 - FRAME

## FIGURE 1-1. STEERING INSTALLATION



# SECTION 1 - FRAME

## FIGURE 1-1. STEERING INSTALLATION

ITEM	PART NUMBER	QTY	DESCRIPTION	REV
	0275821	Ref	<b>STEERING INSTALLATION</b>	E
1	0100019	AR	Compound, Locking	
2	0701627	1	Bolt M16 x 100mm	
3	0701230	1	Bolt M12 x 130mm	
4	0761210	2	Bolt M12 x 20mm	
5	0761214	8	Bolt M12 x 30mm	
6	3291605	1	Nut M16	
7	3331215	1	Nut M12	
8	4812100	2	Washer M12	
9	4812300	2	Washer M16	
10	4832100	10	Lockwasher M12	
11	H900015	1	Steer Cylinder Assembly (See CYLINDER SECTION for Breakdown)	
12	2160016	4	Fitting, Grease	
13	S000242	2	Washer, Thrust	
16	S001832	2	Seal	
17	S006610	1	Spindle, Left	
17A	S001551	1	Bushing	
18	S006660	1	Spindle, Right	
18A	S001551	1	Bushing (Not Shown)	
19	S006808	1	Rod, Tie	
20	S200403	2	Pin, Tie Rod	
21	S200404	2	Cap	
22	S900131	1	Pin, Steer Cylinder	
23	S900133	1	Washer	
24	S900134	1	Washer	
25	S000142	4	Cap, Grease Fitting	
	S006016	Ref	<b>FRAME ASSEMBLY</b>	I
167	S001810	2	Bushing	
168	S001811	2	Bushing	

# SECTION 1 - FRAME

## FIGURE 1-2. REAR AXLE INSTALLATION

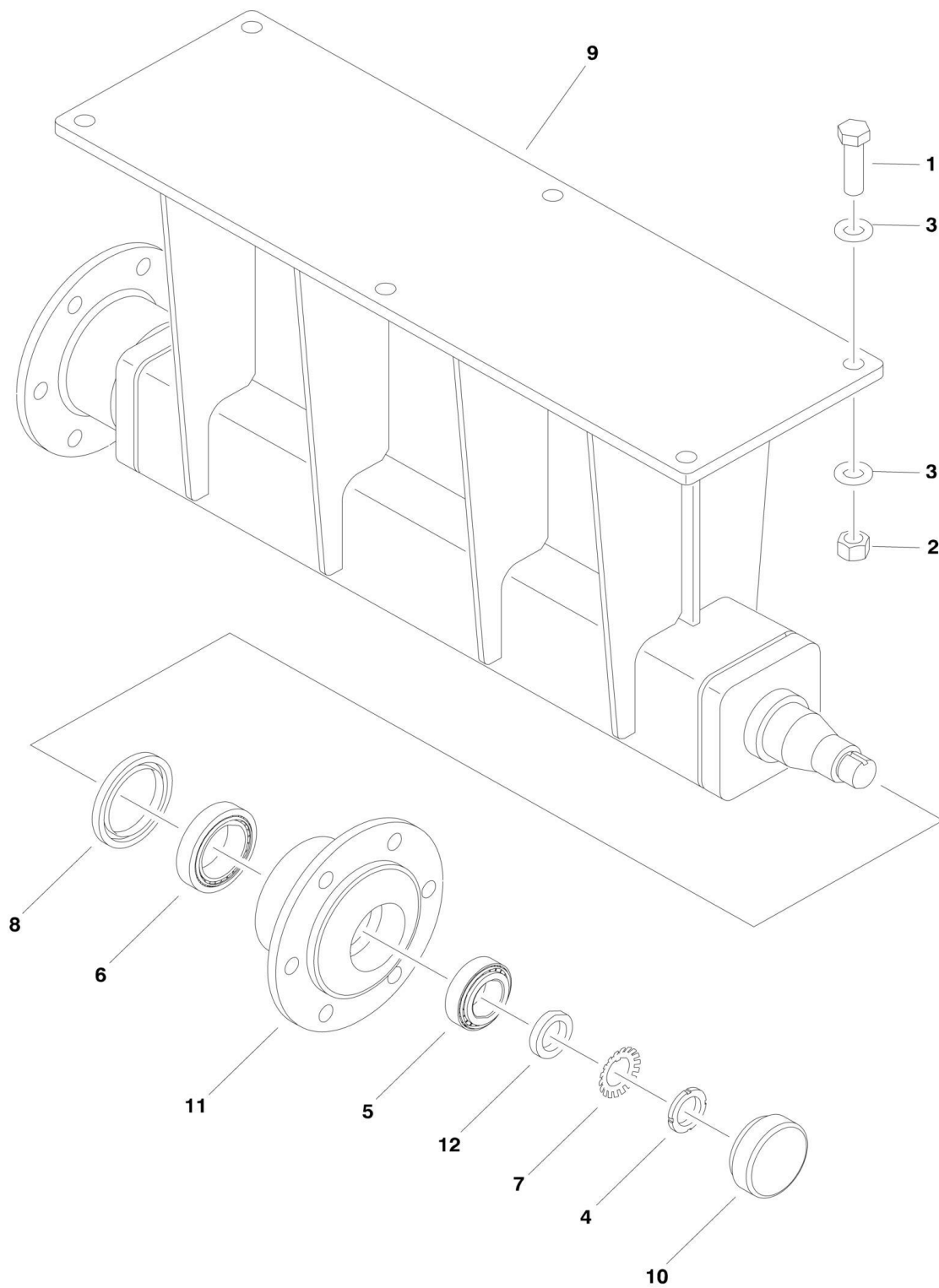
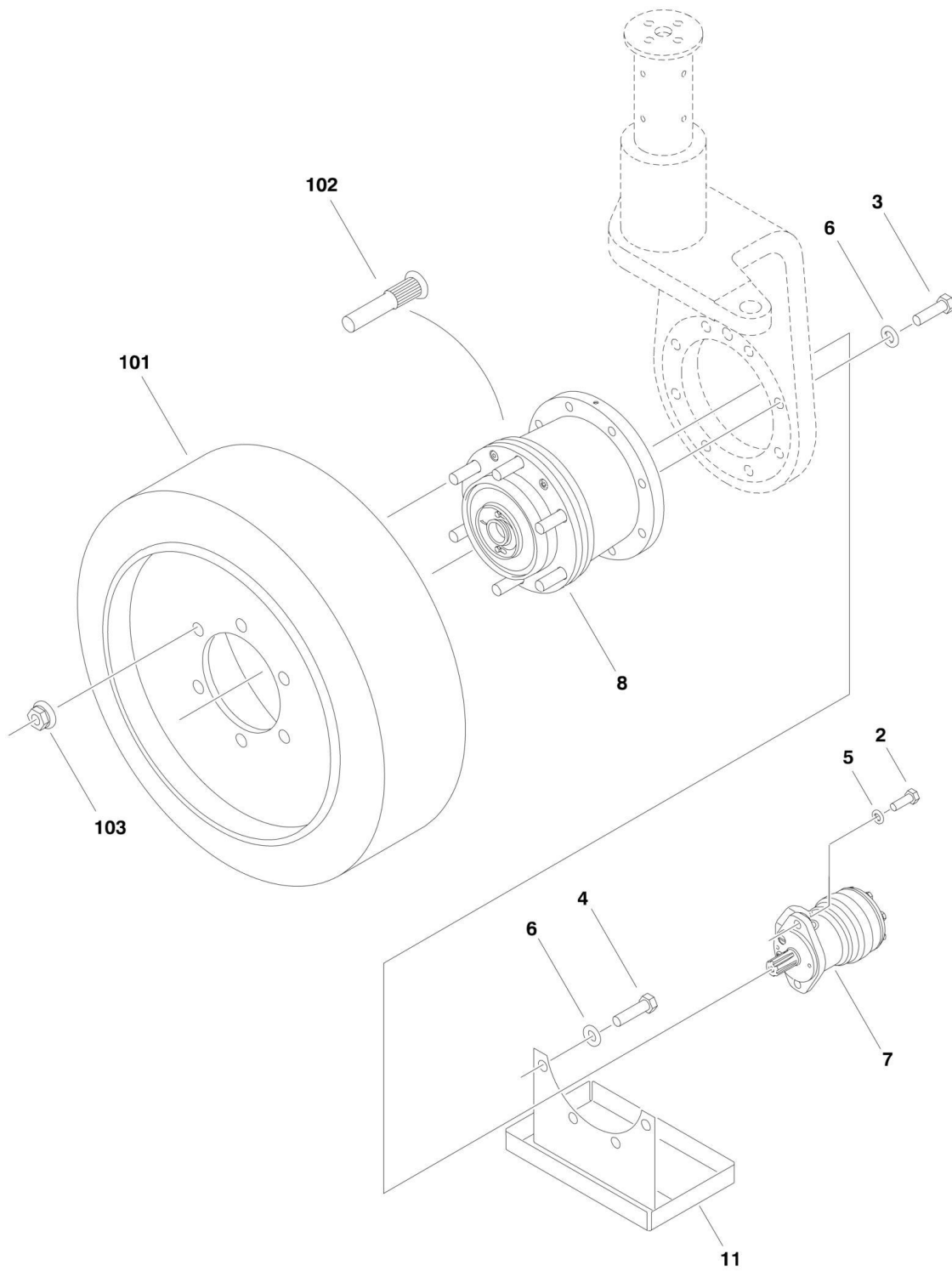


FIGURE 1-2. REAR AXLE INSTALLATION

ITEM	PART NUMBER	QTY	DESCRIPTION	REV
	0275820	Ref	<b>REAR AXLE INSTALLATION</b>	C
1	0712022	6	Bolt M20 x 70mm	
2	3332011	6	Nut M20	
3	5242000	12	Washer, M20 Hardened	
4	S000258	2	Nut, Hub	
5	S000259	2	Bearing, Outer	
6	S000260	2	Bearing, Inner	
7	S000261	2	Lock, Hub Nut	
8	S000262	2	Seal	
9	S200405	1	Axle Weldment, Rear	
10	S200406	2	Cap, Hub	
11	S200407	2	Hub	
12	S900218	2	Spacer	

# SECTION 1 - FRAME

## FIGURE 1-3. WHEEL DRIVE INSTALLATION





# SECTION 1 - FRAME

## FIGURE 1-3. WHEEL DRIVE INSTALLATION

ITEM	PART NUMBER	QTY	DESCRIPTION	REV
	0275833	Ref	<b>DRIVE INSTALLATION</b>	E
2	0761215	4	Bolt M12 x 35mm	
3	0771620	8	Bolt M16 x 60mm	
4	0771621	8	Bolt M16 x 65mm	
5	4832100	4	Lockwasher M12	
6	5241600	16	Washer M16 Hardened	
7	H000193	2	Motor Assembly, Drive (See DRIVE MOTOR ASSEMBLY for Breakdown)	
8	H000218	2	Hub Assembly, Drive (See DRIVE HUB ASSEMBLY for Breakdown)	
11	S200239	2	Pan, Oil	
	0275837	Ref	<b>WHEEL INSTALLATION</b>	B
101	S004091	4	Tire and Wheel Assembly	
102	S000090	12	Stud, Rear Wheel (Note: See DRIVE HUB ASSEMBLY Breakdown for Front Wheel Stud.)	
103	S003991	24	Nut, Wheel	

# SECTION 1 - FRAME

## FIGURE 1-4. DRIVE MOTOR ASSEMBLY

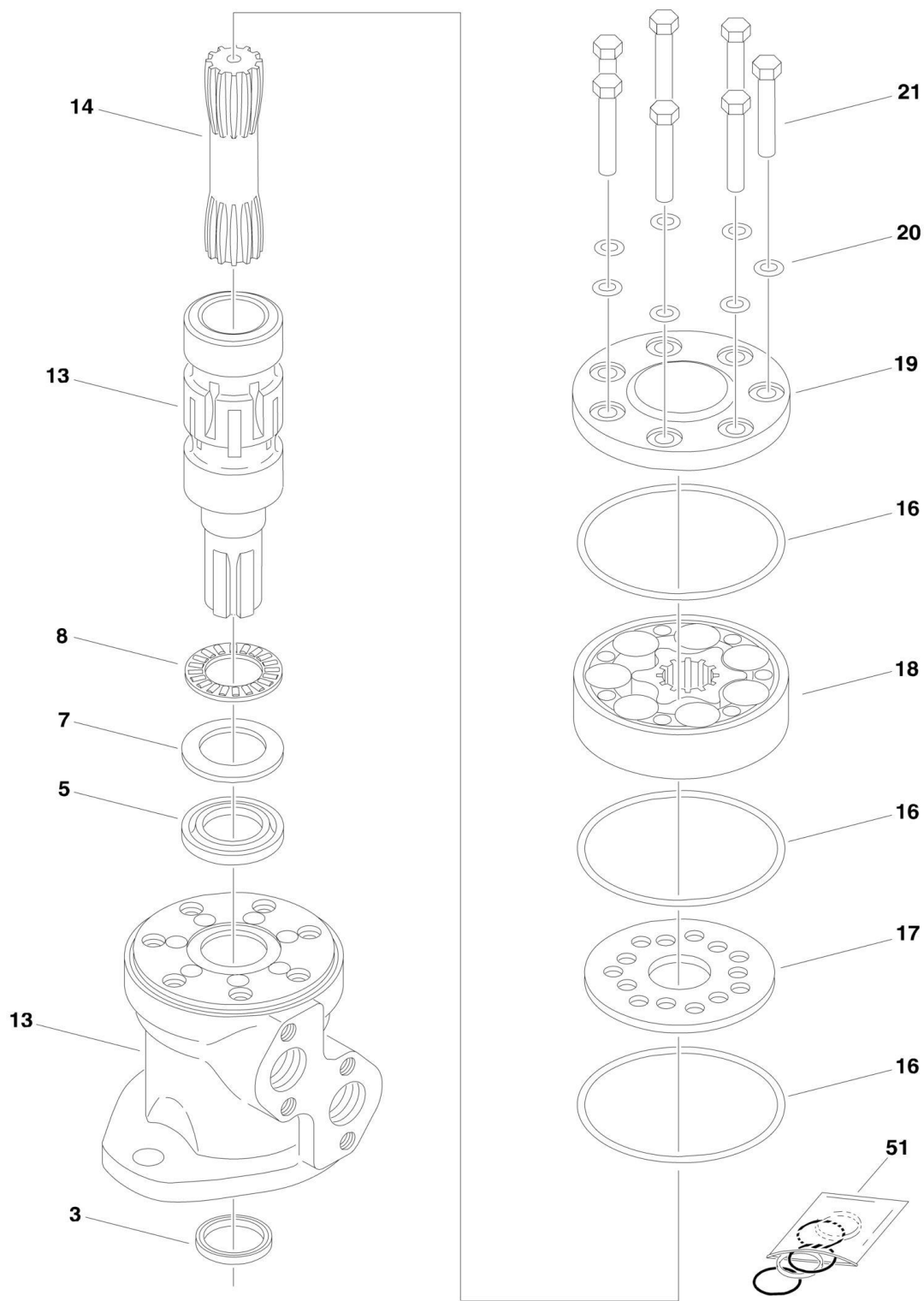
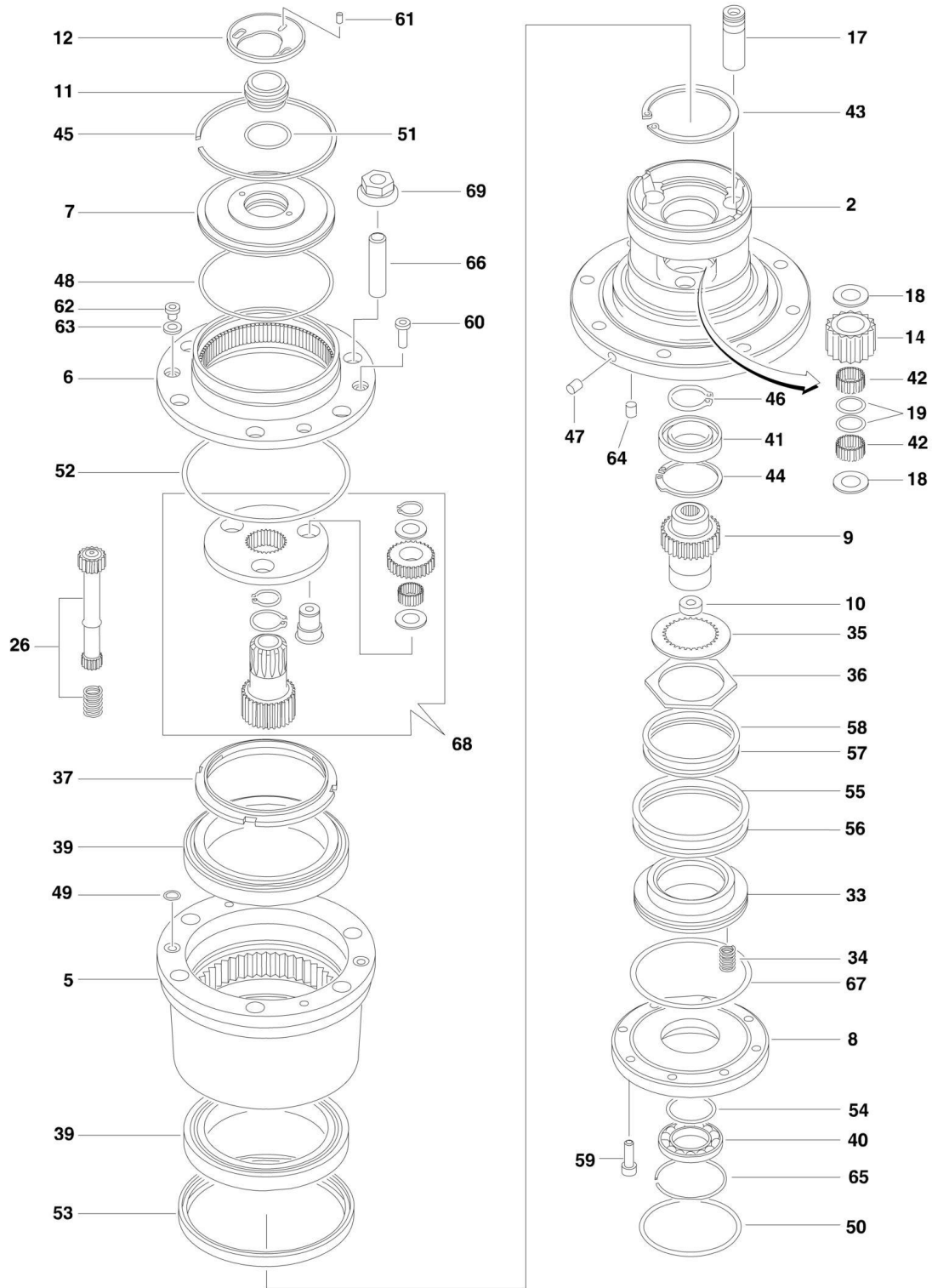


FIGURE 1-4. DRIVE MOTOR ASSEMBLY

ITEM	PART NUMBER	QTY	DESCRIPTION	REV
	H000193	Ref	<b>DRIVE MOTOR ASSEMBLY</b>	D
3	7027861	1	Seal, Dust	
5	Kit	1	Seal, Shaft	
7	7020128	1	Race, Bearing	
8	7020129	1	Bearing, Needle	
13	Not Available	1	Shaft and Housing	
14	7027938	1	Shaft, Cardan	
16	Kit	3	O-Ring	
17	7027939	1	Plate, Distributor	
18	Not Available	1	Gear Set	
19	7027940	1	Cover, End	
20	Kit	7	Washer	
21	Not Available	7	Screw M8 x 45mm	
51	7020127	1	Seal Kit - H000193 Motor (Includes Items 3, 5, 16 & 20)	

# SECTION 1 - FRAME

## FIGURE 1-5. DRIVE HUB ASSEMBLY



# SECTION 1 - FRAME

## FIGURE 1-5. DRIVE HUB ASSEMBLY

ITEM	PART NUMBER	QTY	DESCRIPTION	REV
	H000218	Ref	<b>DRIVE HUB ASSEMBLY</b>	F
2	Not Available	1	Spindle	
5	Not Available	1	Hub	
6	70000239	1	Gear Ring	
7	Not Available	1	Cover	
8	Not Available	1	Flange	
9	Not Available	1	Coupling	
10	Not Available	1	Washer, Thrust	
11	70002703	1	Washer, Thrust	
12	Not Available	1	Circlip	
14	Not Available	3	Gear, Planetary	
17	Not Available	3	Pin	
18	Not Available	6	Washer, Thrust	
19	Not Available	6	Spacer	
26	70000240	1	Sun Pinion	
33	Not Available	1	Piston	
34	70000241	16	Spring	
35	70000242	5	Disc	
36	70000243	6	Disc	
37	70000244	1	Lock Nut	
39	70000245	2	Bearing	
40	70000246	1	Bearing	
41	70000247	1	Bearing	
42	Not Available	6	Bearing	
43	Not Available	1	Circlip	
44	Not Available	1	Circlip	
45	Not Available	1	Disc	
46	Not Available	1	Circlip	
47	Not Available	1	Plug	
48	70000248	1	O-Ring	
49	70000249	2	O-Ring	
50	70000250	1	O-Ring	
51	70000251	1	O-Ring	
52	70000252	1	O-Ring	
53	70000253	1	Oil Seal	
54	70000254	1	Gasket	
55	70000255	1	O-Ring	
56	70000256	1	Blocking Ring	
57	70000257	1	O-Ring	
58	70000258	1	Blocking Ring	
59	Not Available	8	Screw	
60	Not Available	2	Screw	
61	Not Available	2	Screw	
62	Not Available	2	Plug	
63	Not Available	2	Washer	
64	Not Available	1	Plug	
65	Not Available	1	Disc	
66	70000259	6	Stud, Wheel	
67	70000260	1	O-Ring	
68	70000261	1	Gear Kit, Reduction	

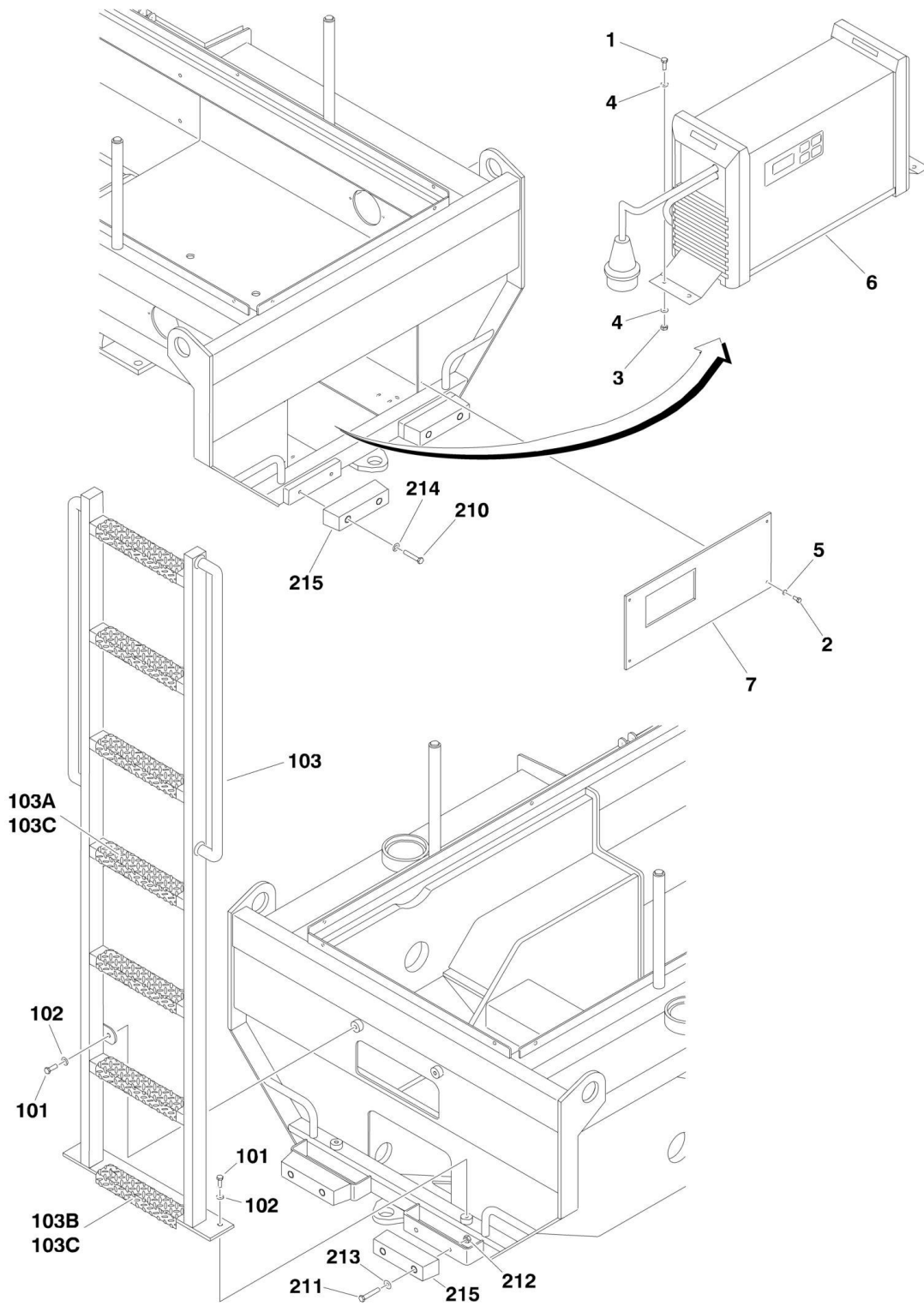
## SECTION 1 - FRAME

ITEM	PART NUMBER	QTY	DESCRIPTION	REV
69	S003991	6	Nut, Wheel (Note: No seal kit available. Purchase individual seals.)	



# SECTION 1 - FRAME

## FIGURE 1-6. BATTERY CHARGER, LADDER AND BUMPER INSTALLATIONS





## SECTION 1 - FRAME

**FIGURE 1-6. BATTERY CHARGER, LADDER AND BUMPER INSTALLATIONS**

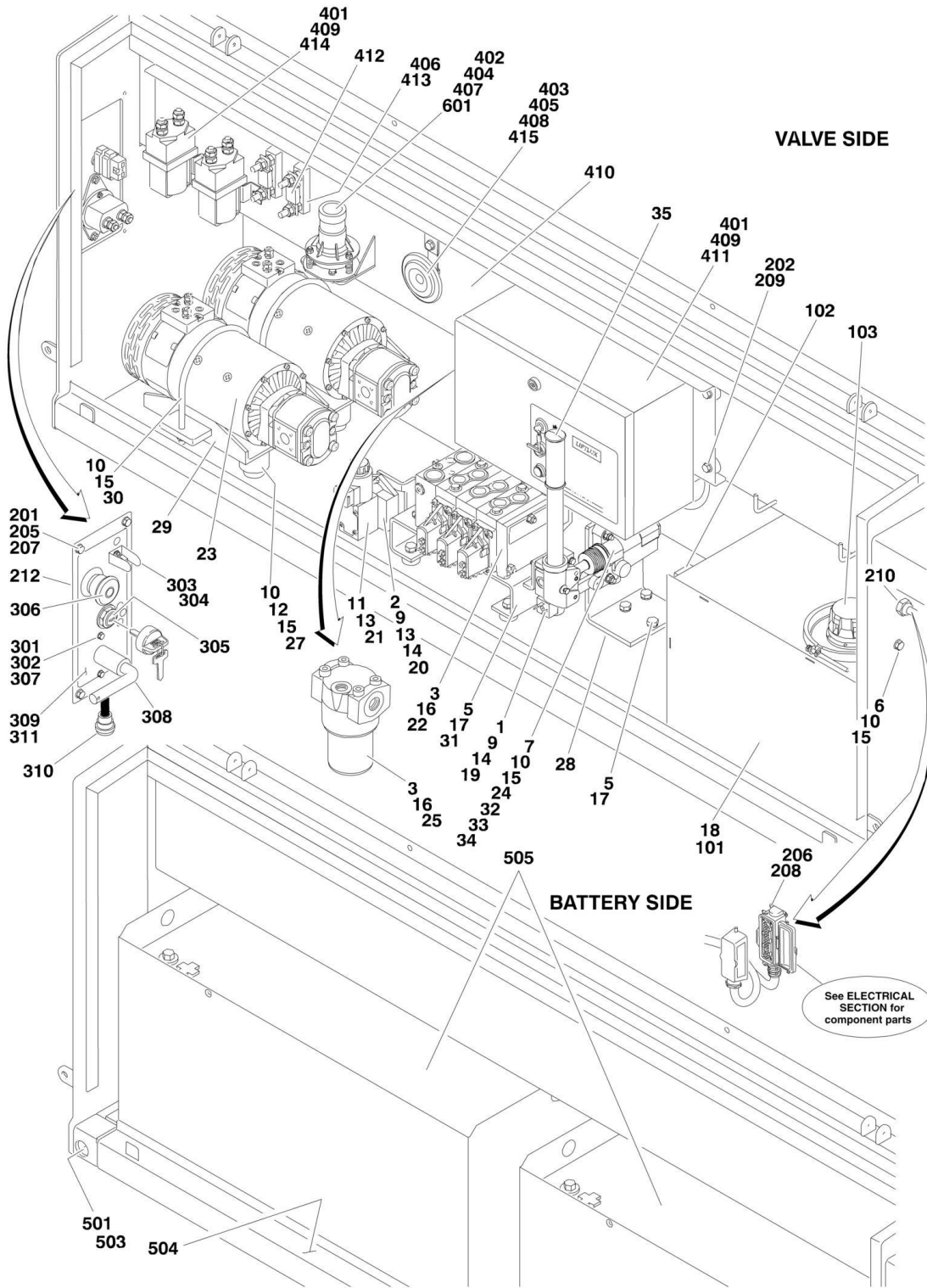
ITEM	PART NUMBER	QTY	DESCRIPTION	REV
		Ref	<b>BATTERY CHARGER INSTALLATION</b>	
	1001091518	Ref	<b>220V Charger</b>	A
	1001091519	Ref	<b>110/245V Dual Voltage Charger</b>	A
1		Ref	Bolt Options:	
1	0760508	4	220V Charger	
1	0760608	4	110/245V Charger	
2	0760807	4	Bolt M8 x 14mm	
3		Ref	Locknut Options:	
3	3290505	4	220V Charger	
3	3290605	4	110/245V Charger	
4		Ref	Flatwasher Options:	
4	4811600	8	220V Charger	
4	4811700	8	110/245V Charger	
5	4831900	4	Lockwasher M8	
6		Ref	Charger, Battery Options:	
6	E000564	1	Single Voltage (220V)	
6	70001010	1	Fuse, 80A Secondary	
6	70001009	1	Cord, 220V Electric	
6	70001011	1	Cable, Output	
6	E000600	1	Dual Voltage (110/245V)	
6	70001012	1	Fuse, 63A Secondary	
6	70001013	1	Fuse, 35A Front	
6	70001014	1	Cord, 110V Electric	
6	70001015	1	Cord, 245V Electric	
6	70001016	1	Cable, Secondary	
7	S900185	1	Plate, Charger Cover	
	0275834	Ref	<b>LADDER INSTALLATION</b>	A
101	0761010	4	Bolt M10 x 20mm	
102	4832000	4	Lockwasher M10	
103	S200410	1	Ladder	
103A	S004014	6	Plate, Step	
103B	S200410-05	1	Plate, Step	
103C	3820510	24	Rivet M5	
	0275839	Ref	<b>BUMPERS INSTALLATION</b>	B
210	0761018	4	Bolt M10 x 50mm	
211	0761020	4	Bolt M10 x 60mm	
212	3291005	4	Locknut M10	
213	4812000	8	Flatwasher M10	
214	4832000	4	Lockwasher M10	
215	S000055	4	Bumper	



**SECTION 2 - GROUND CONTROLS**

# SECTION 2 - GROUND CONTROLS

## FIGURE 2-1. LEFT AND RIGHT SIDE COMPONENTS INSTALLATION



## SECTION 2 - GROUND CONTROLS

**FIGURE 2-1. LEFT AND RIGHT SIDE COMPONENTS INSTALLATION**

ITEM	PART NUMBER	QTY	DESCRIPTION	REV
	0275844	Ref	<b>VALVE COMPARTMENT INSTALLATION</b>	C
1	0700617	2	Bolt M6 x 45mm	
2	0760614	2	Bolt M6 x 30mm	
3	0760810	8	Bolt M8 x 20mm	
4	0761011	2	Bolt M10 x 22mm (Not Shown)	
5	0761012	8	Bolt M10 x 25mm	
6	0761014	2	Bolt M10 x 30mm	
7		Ref	Bolt Options:	
7	0761016	4	M10 x 40mm <b>(Prior to SN 1200020611)</b>	
7	0700817	2	M8 x 45mm <b>(SN 1200020611 to Present)</b>	
9	3290605	4	Locknut M6	
10	3291005	AR	Locknut M10	
11	4031614	4	Bolt M5 x 50mm	
12	4032007	4	Bolt M10 x 16mm	
13	4811600	AR	Flatwasher M5	
14	4811700	AR	Flatwasher M6	
15	4812000	AR	Flatwasher M10	
16	4831900	8	Lockwasher M8	
17	4832000	10	Lockwasher M10	
18	1001092114	1	Tank Assembly, Hydraulic (See Items 101-103 for Breakdown)	
19	H000019	1	Valve, Brake	D
19	7012941	1	Cartridge	
19	7010543	1	Seal Kit	
19	7012986	1	Coil	
20	H000020	1	Plate, Directional Control Valve	
21	H000021	1	Valve, Directional Control	
21	70000440	4	O-Ring, Mounting	
21	70000449	2	O-Ring, Solenoid Pole Tube	
21	70000450	1	Coil	
21	70000442	1	Nut, Coil	
21	70000443	1	O-Ring, Coil Nut	
22	H000028	1	Valve Assembly, Main (See MAIN VALVE ASSEMBLY for Breakdown)	
23	H000282	2	Motor/Pump Assembly, Electric	
23	70000595	1	Pump	
23	70000596	1	Seal, Shaft	
23	70000597	1	Coupling, Drive	
23	70000598	1	Motor	
23	70000599	1	Brush Set	
24		Ref	Pump Assembly, Hand Options:	
24	H000285	1	Pump Assembly, Hand (See HAND PUMP ASSEMBLY for Breakdown) <b>(Prior to SN 1200020611)</b>	
24	320066	1	Pump Assembly, Hand (No Breakdown Available at Time of Printing) <b>(SN 1200020611 to Present)</b>	
25	H900074	1	Filter, Pressure	
25	70001360	1	Element, Filter	
25	70001359	1	O-Ring, Filter Bowl	
26	H900319	1	Bracket, Oil Filter (Not Shown)	
27	S009001	4	Mount, Rubber	
28		Ref	Bracket, Hand Pump Options:	

## SECTION 2 - GROUND CONTROLS

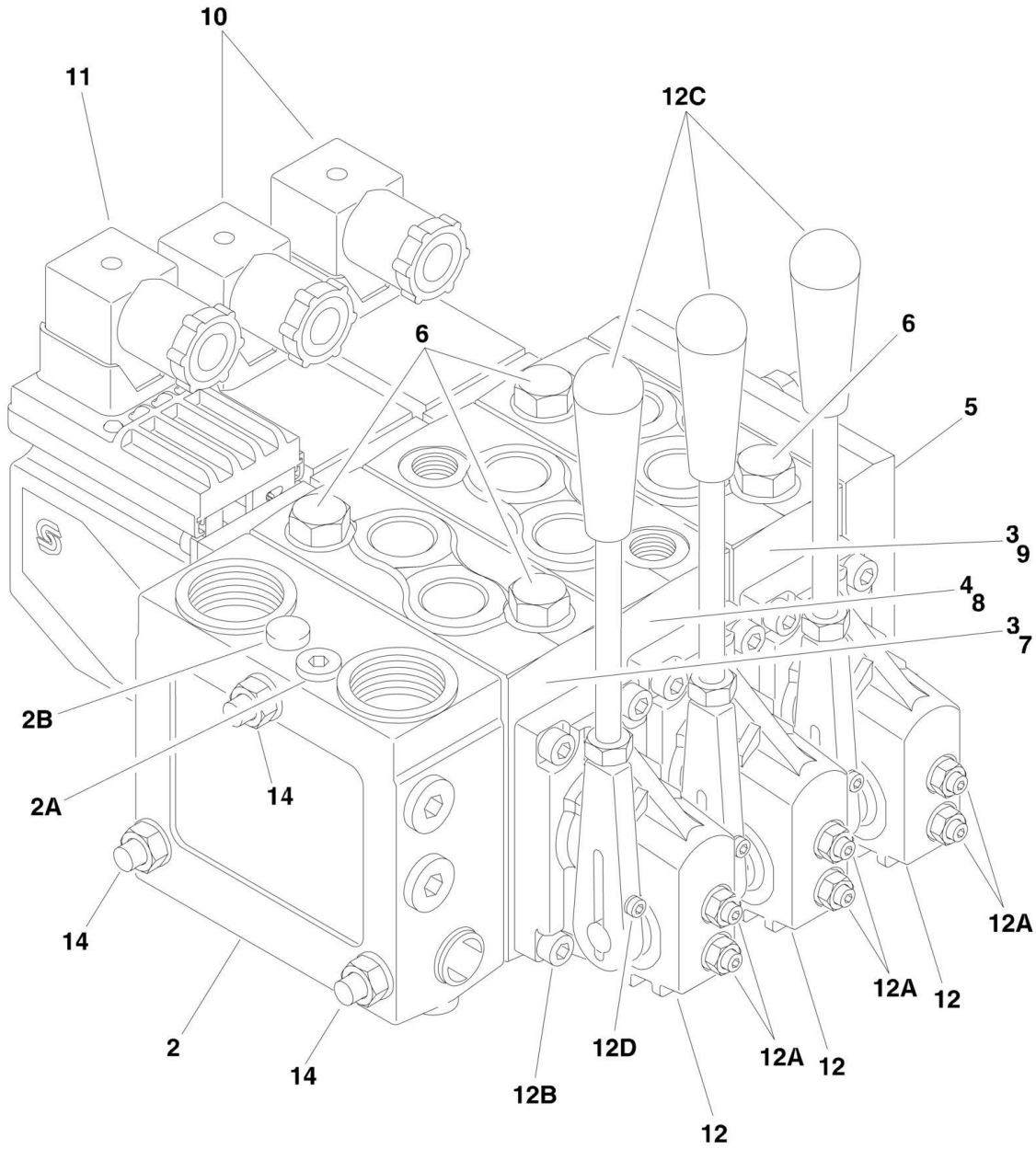
ITEM	PART NUMBER	QTY	DESCRIPTION	REV
28	S200413	1	Bracket, Hand Pump (Prior to SN 1200020611)	
28	1001103508	1	Bracket, Hand Pump (SN 1200020611 to Present)	
29	S200414	1	Bracket, Pump	
30	S200415	2	Clamp, Mounting	
31	S200418	1	Bracket, Main Valve	
32	0700820	1	Bolt M8 x 60mm (SN 1200020611 to Present)	
33	3290805	3	Locknut M8 (SN 1200020611 to Present)	
34	4811900	3	Flatwasher M8 (SN 1200020611 to Present)	
35	DL0113	1	Handle, Hand Pump (SN 1200020611 to Present)	
	1001092114	Ref	<b>HYDRAULIC TANK ASSEMBLY</b>	D
101	1001092113	1	Tank, Hydraulic	
102	H000013	1	Gauge, Hydraulic Oil Level	
103	H000241	1	Breather, Hydraulic	
	0275843	Ref	<b>GROUND CONTROLS INSTALLATION</b>	D
201	0760610	4	Bolt M6 x 20mm	
202	0761010	4	Bolt M10 x 20mm	
203	1062255	AR	Strap, Tie (Not Shown)	
205	3290605	4	Locknut M6	
206	4031605	4	Bolt M5 x 10mm	
207	4811700	8	Flatwasher M6	
208	4831600	4	Lockwasher M5	
209	4832000	4	Lockwasher M10	
210	E000045	2	Relief, PG21 Strain	
212	E900074	1	Panel Assembly, Ground (See Items 301-311 for Breakdown)	
	E900074	Ref	<b>GROUND PANEL ASSEMBLY</b>	B
301	0760608	2	Bolt M6 x 16mm	
302	3290605	2	Locknut M6	
303	4060802	1	Guard, Switch	
304	4360314	1	Switch, Toggle	
305	4360469	1	Switch, Key	
305	2860030	1	Key, Replacement	
306	4360475	1	Switch, Emergency Stop	
306	7020175	1	Cap, Red	
306	7020176	1	Block, Contact	
307	4811700	4	Flatwasher M6	
308	E000059	1	Switch, Battery Disconnect	
308	70001114	1	Handle	
309	E900075	1	Plate, Switch Mounting	
310	E900076	1	Harness, Ground Panel (See ELECTRICAL SECTION for Breakdown)	
311	E900077	1	Decal, Switch Mounting Plate	
	E900078	Ref	<b>ELECTRICAL TRAY ASSEMBLY</b>	B
401	0760605	6	Bolt M6 x 10mm	
402	0760610	4	Bolt M6 x 20mm	
403	0760810	1	Bolt M8 x 20mm	
404	3290605	4	Locknut M6	
405	3290805	1	Locknut M8	
406	4031509	4	Bolt M4 x 25mm	
407	4811700	8	Flatwasher M6	
408	4811900	2	Flatwasher M8	
409	4831700	6	Lockwasher M6	
410	1001091345	1	Tray, Electrical	

## SECTION 2 - GROUND CONTROLS

ITEM	PART NUMBER	QTY	DESCRIPTION	REV
411	1001091486	1	Box Assembly, Main Terminal (See MAIN TERMINAL BOX ASSEMBLY for Breakdown)	A
412	E000060	2	Fuse, 125A	
413	E000061	2	Holder, Fuse	
414	E000062	2	Contactactor, DC	
414	7027961	AR	Tip Repair Kit - E000062 Contactactor	
415	E000063	1	Horn	
	0275841	Ref	<b>BATTERIES INSTALLATION</b>	
501	4032310	2	Bolt M16 x 30mm	
502	4032316	2	Bolt M16 x 60mm (Not Shown)	
503	4832300	2	Lockwasher M16	
504	S900135	1	Tray, Battery	
505	E000371	2	Battery	
		Ref	<b>TILT SWITCH</b>	
601		Ref	Switch, Tilt Options:	
601	E000044	1	Switch, Tilt 153-12	
601	E000129	1	Switch, Tilt 180-12	

# SECTION 2 - GROUND CONTROLS

## FIGURE 2-2. MAIN VALVE ASSEMBLY





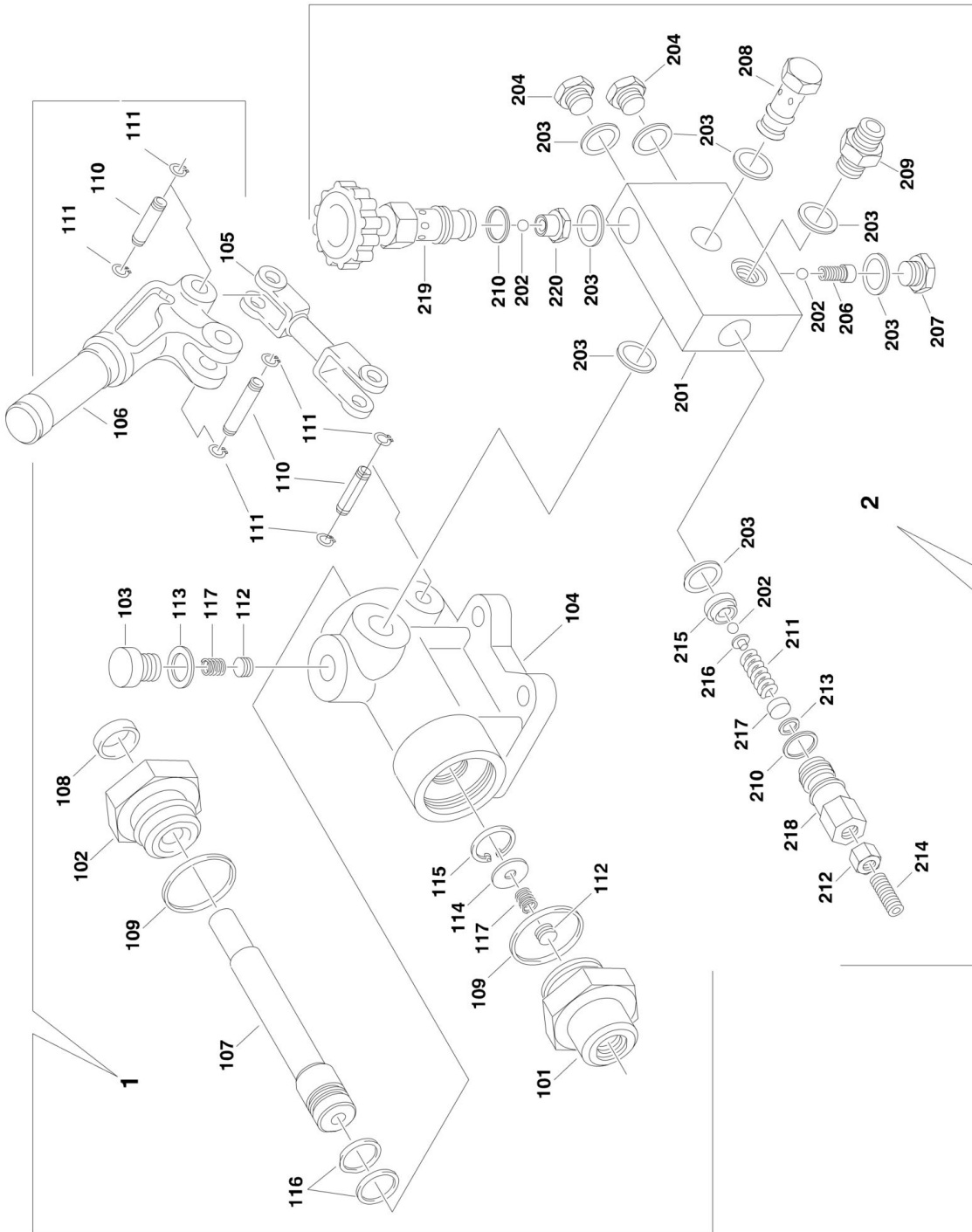
## SECTION 2 - GROUND CONTROLS

**FIGURE 2-2. MAIN VALVE ASSEMBLY**

ITEM	PART NUMBER	QTY	DESCRIPTION	REV
	H000028	Ref	<b>MAIN VALVE ASSEMBLY</b>	D
2	H000205	1	Section, Pump (Left Side)	
2	8007939	1	Seal Kit - H000205 Section	
2A	8007944	1	Pilot Supply Assembly	
2B	7027912	1	Relief Assembly	
3	7028847	2	Valve Section (With Relief Valve) (Drive and Steer) (Was p/n H000188)	
3	8007935	2	Seal Kit (Was p/n H000031)	
4	H000542	1	Valve Section (Without Relief Valve) (Lift)	
4	8007935	1	Seal Kit (Was p/n H000031)	
5	H000580	1	End Plate	
5	Item 14	1	Seal Kit	
6	H005250	4	Valve, Relief (Drive and Steer)	
7	H000389	1	Spool (Drive)	
8	8007945	1	Spool (Lift) (Was p/n H000391)	
9	H000207	1	Spool (Steer)	
10	H000191	2	Electrical Activator (On-Off) (Lift and Steer)	
10	8007954	2	Seal Kit (Was p/n H000032)	
10	7028846	8	Screw, Mounting	
10	7028849	2	DIN Connector (Black)	
11	H000206	1	Electrical Activator (Proportional High) (Drive)	
11	8007954	1	Seal Kit (Was p/n H000032)	
11	7028846	4	Screw, Mounting	
11	8007953	1	DIN Connector (White)	
12	7028893	3	Mechanical Activation Assembly (Was p/n H000187)	
12	8007894	3	Seal Kit (Was p/n H005248)	
12A	1003107	6	Nut, Seal (2 per Assembly)	
12A	8007915	6	Pin, Threaded (2 per Assembly)	
12B	0318854	12	Screw (4 per Assembly)	
12C	H005247	3	Base and Lever Assembly (1 per Assembly)	
12D	0307544	3	Screw (1 per Assembly)	
12D	0893076	3	Washer (1 Per Assembly)	
14	H000112	1	Assembly Kit (Includes Hardware and Seals for Between Valve Sections)	
14	7028848	2	Seal Kit for Between Valve Sections (Was p/n H005249) (Note: One Seal Kit does both sides of section.)	

# SECTION 2 - GROUND CONTROLS

## FIGURE 2-3. HAND PUMP ASSEMBLY (Prior to SN 1200020611)



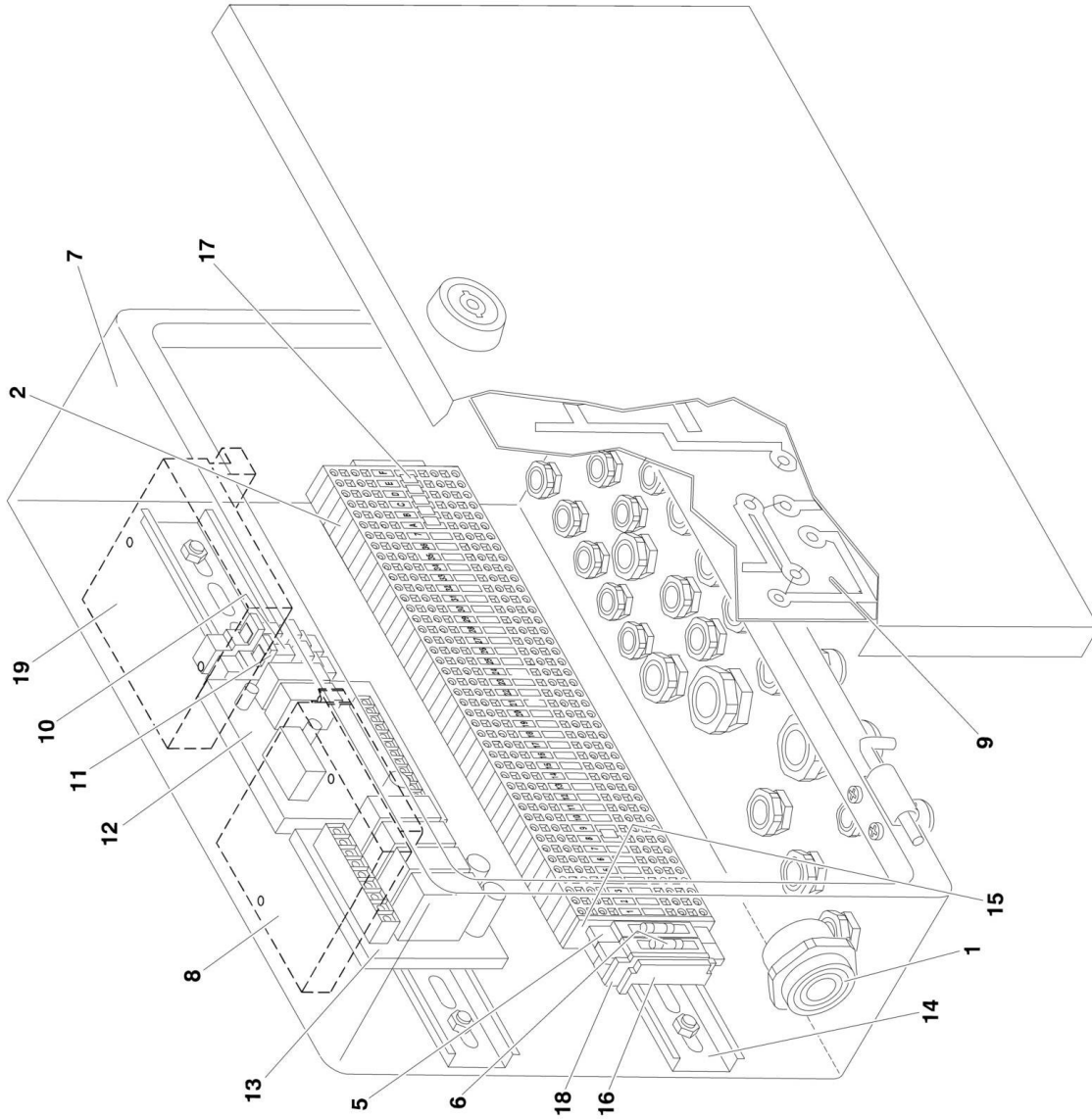
## SECTION 2 - GROUND CONTROLS

**FIGURE 2-3. HAND PUMP ASSEMBLY (Prior to SN 1200020611)**

ITEM	PART NUMBER	QTY	DESCRIPTION	REV
	H000285	Ref	<b>HAND PUMP ASSEMBLY</b>	D
1	70000513	1	Pump Assembly (See Items 101-117 for Breakdown)	
2	70000528	1	Valve Assembly (See Items 201-220 for breakdown)	
	70000513	Ref	<b>PUMP ASSEMBLY</b>	
101	70000514	1	Valve, Suction	
102	Not Available	1	Plug	
103	Not Available	1	Plug	
104	Not Available	1	Body	
105	70000515	1	Rod, Connecting	
106	70000516	1	Lever	
107	70000517	1	Piston	
108	70000518	1	Seal	
109	70000519	2	Seal	
110	70000520	2	Pin	
111	70000521	6	Ring, Retaining	
112	70000522	2	Ball	
113	70000523	1	Ring	
114	70000524	1	Washer	
115	70000525	1	Ring, Internal Retaining	
116	70000526	2	Seal	
117	70000527	2	Spring	
	70000528	Ref	<b>VALVE ASSEMBLY</b>	
201	Not Available	1	Body	
202	70000529	3	Ball	
203	70000530	8	Ring	
204	Not Available	2	Bolt, M8 x 8	
205	70000531	1	Spinner (Not Shown)	
206	70000532	1	Spring	
207	Not Available	1	Plug	
208	70000533	1	Screw	
209	70000534	1	Fitting, Straight	
210	70000535	2	Seal	
211	70000536	1	Spring	
212	Not Available	1	Nut, M10	
213	70000537	1	Seal	
214	Not Available	1	Setscrew	
215	70000538	1	Relief, Valve	
216	70000539	1	Pin, Ball Driving	
217	70000540	1	Plate, Seal	
218	70000541	1	Valve Body	
219	70000542	1	Knob Assembly	
220	70000543	1	Valve Body	

# SECTION 2 - GROUND CONTROLS

## FIGURE 2-4. MAIN TERMINAL BOX ASSEMBLY



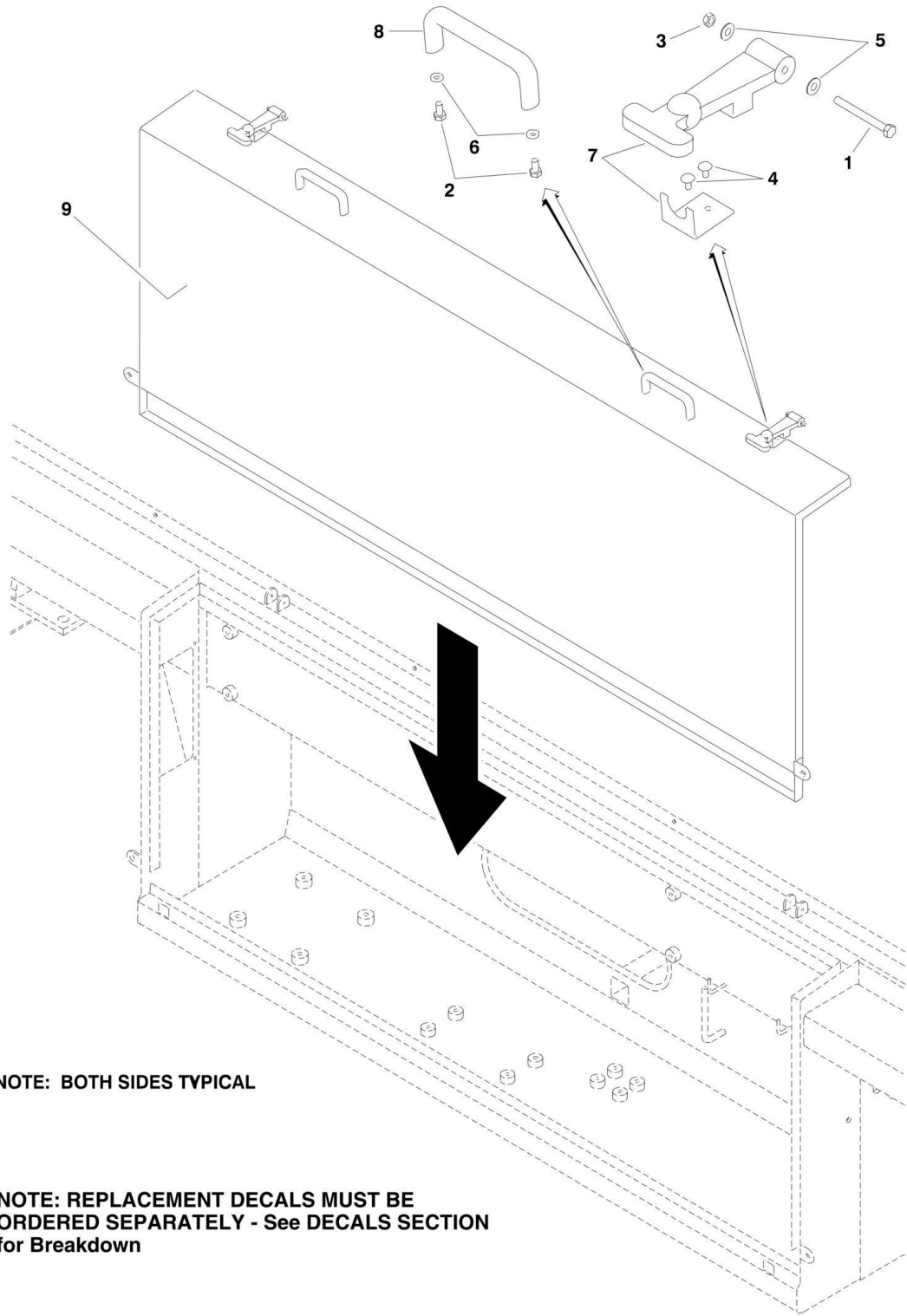
## SECTION 2 - GROUND CONTROLS

### FIGURE 2-4. MAIN TERMINAL BOX ASSEMBLY

ITEM	PART NUMBER	QTY	DESCRIPTION	REV
	1001091486	Ref	<b>MAIN TERMINAL BOX</b>	E
1	0140011	1	Alarm	
2	1001093353	46	Block, Terminal	
3	1001092299	1	Harness Assembly (Not Shown - See ELECTRICAL SECTION for Breakdown)	
5	1001092405	2	Holder, Fuse	
6	1001092406	2	Fuse, 10A	
7	1001092768	1	Housing, Control Box	
8	E000078	1	Converter, DC/DC	
9		Ref	Card, Complex Control Options:	
9	E000218	1	Card, Complex Control <b>(SN 1200020463 through 1200022117)</b>	
9	1001112938	1	Card, Complex Control <b>(SN 1200022118 to Present)</b>	
10	E001375	2	Relay	
11	E001376	2	Base, Relay	
12	1001094642	1	Card, Trigger Control	
13	1001094641	1	Module, Load Sensing and Time Override	
14	E900059	2	Rail, DIN	
15	1001093354	1	Plate, Terminal Intermediate	
16	1001093355	2	Stop, Terminal End	
17	1001093361	6	Terminal, Jumper (Not Shown)	
18	1001093379	1	Plate, Terminal End	
19	0610126	1	Circuit Board, Arm Guard	
20	70000952	1	Connector (2 Pin for Nivelux Board - Not Shown)	
21	70000953	2	Connector (3 Pin for Nivelux Board - Not Shown)	
22	70000954	1	Connector (4 Pin for Nivelux Board - Not Shown)	
23	70000955	1	Connector (8 Pin for Complex Board - Not Shown)	
24	70000956	4	Connector (12 Pin for Nivelux and Complex Board - Not Shown)	
25	70003616	1	Connector (6 Pin for Nivelux and Complex Board - Not Shown)	

# SECTION 2 - GROUND CONTROLS

## FIGURE 2-5. HOODS INSTALLATION



**NOTE: BOTH SIDES TYPICAL**

**NOTE: REPLACEMENT DECALS MUST BE ORDERED SEPARATELY - See DECALS SECTION for Breakdown**

## SECTION 2 - GROUND CONTROLS

### FIGURE 2-5. HOODS INSTALLATION

ITEM	PART NUMBER	QTY	DESCRIPTION	REV
	0275839	Ref	<b>HOODS INSTALLATION</b>	B
1	0700518	4	Bolt, M5 x 55mm	
2	0760606	8	Bolt M6 x 12mm	
3	3290505	4	Locknut M5	
4	3820408	8	Rivet	
5	4811600	8	Flatwasher M5	
6	4831700	8	Lockwasher M6	
7	S000056	4	Strap, Hood	
8	S001676	4	Handle	
9	S200419	2	Hood	

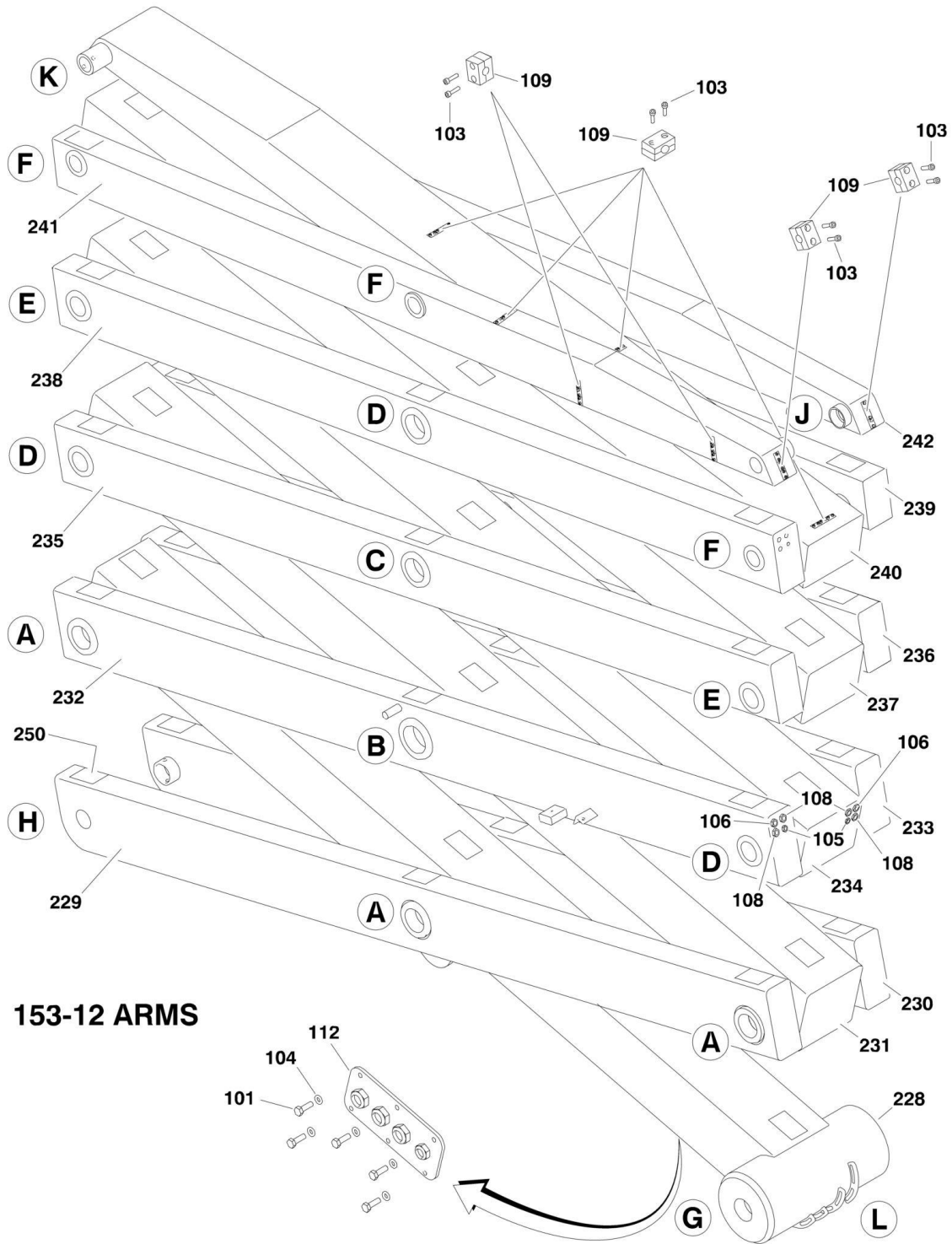




**SECTION 3 - SCISSORS ARMS**

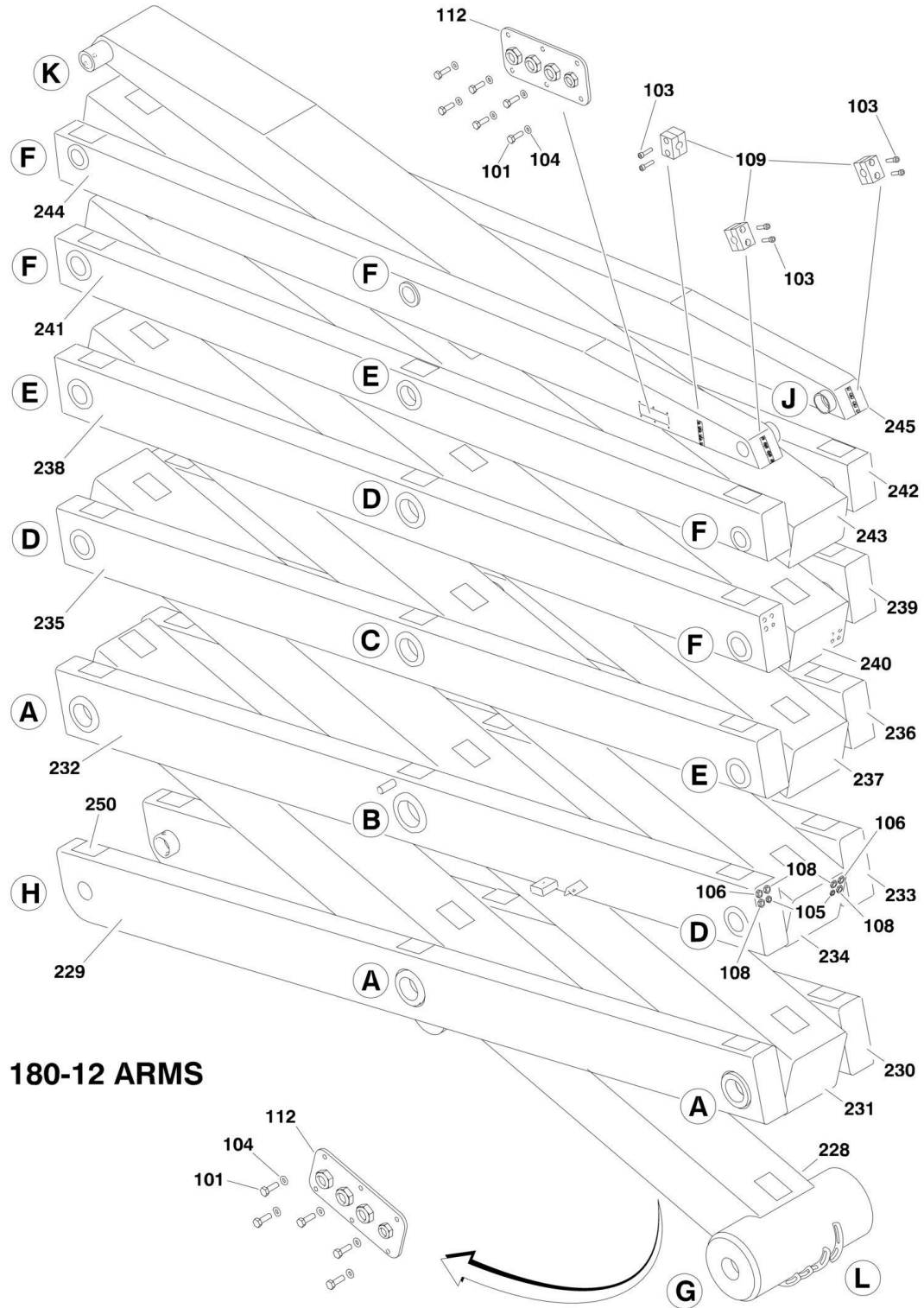
# SECTION 3 - SCISSORS ARMS

## FIGURE 3-1. SCISSORS ARMS INSTALLATION

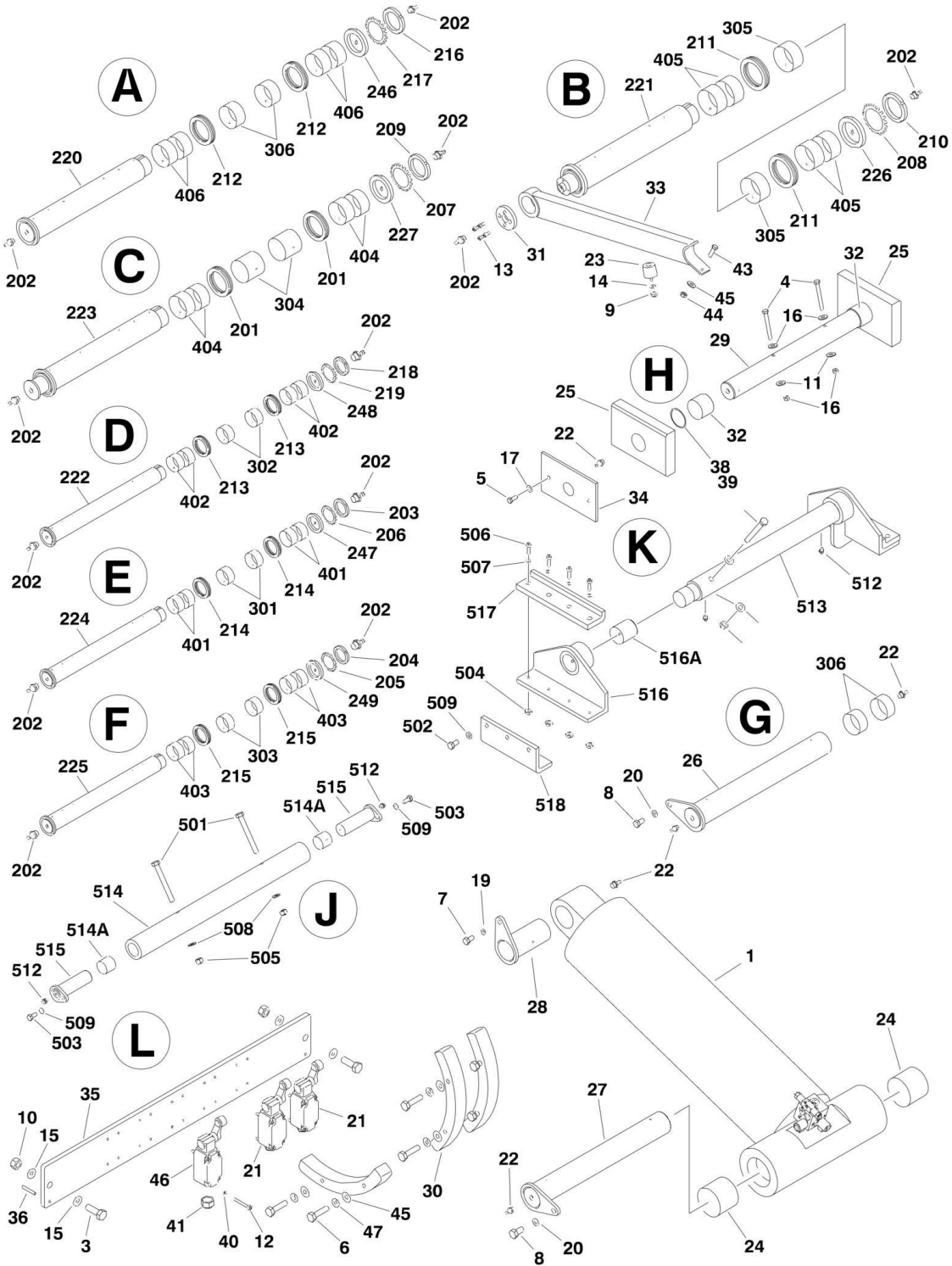


153-12 ARMS

# SECTION 3 - SCISSORS ARMS



# SECTION 3 - SCISSORS ARMS



## SECTION 3 - SCISSORS ARMS

### FIGURE 3-1. SCISSORS ARMS INSTALLATION

ITEM	PART NUMBER	QTY	DESCRIPTION	REV
		Ref	<b>SCISSOR ARMS INSTALLATION</b>	
	0275827	Ref	<b>Scissor Arms Installation 153-12</b>	D
	0275829	Ref	<b>Scissor Arms Installation 180-12</b>	D
1		Ref	Cylinder Installation, Lift (See CYLINDER SECTION for Breakdown)	
3	0701217	2	Bolt M12 x 45mm	
4	0701629	2	Bolt M16 x 120mm	
5	0760605	4	Bolt M6 x 10mm	
6	0761014	6	Bolt M10 x 30mm	
7	0761216	1	Bolt M12 x 40mm	
8	0762015	2	Bolt M20 x 35mm	
9	3290805	1	Nut M8	
10	3291205	2	Nut M12	
11	3291605	2	Nut M16	
12	4031612	12	Bolt M5 x 40mm	
13	4031908	4	Bolt M8 x 20mm	
14	4811900	1	Washer M8	
15	4812100	4	Washer M12	
16	4812300	4	Washer M16	
17	4831700	4	Lockwasher M6	
19	4832100	1	Lockwasher M12	
20	4832500	2	Lockwasher M20	
21	E000376	2	Switch, Limit	
22	2160016	7	Fitting, Grease	
23	S001594	1	Bumper	
24	S001810	2	Bushing	
25	S004034	2	Block, Wear	
26	S007026	1	Pin, 85 mm	
27	S007027	1	Pin, 85 mm	
28	S007028	1	Pin, 85 mm	
29	S007029	1	Pin, 70 mm	
30	S200134	3	Cam	
31	S200175	1	Retainer, Prop Arm	
32	S200176	2	Spacer	
33	S201017	1	Prop, Safety	
34	S900006	2	Plate, Cover	
35	S900019	1	Panel, Limit Switch Mounting	
36	3440816	2	Pin, Roll	
37	S000142	Ref	Cap, Grease Fitting (Not Shown)	
37	S000142	33	Cap, Grease Fitting 153-12	
37	S000142	39	Cap, Grease Fitting 180-12	
38	S900335	AR	Shim, 2 mm	
39	S900336	AR	Shim, 3 mm	
40	4831600	12	Lockwasher M5	
41	E000269	3	Relief, Strain	
43	0761015	1	Bolt M10 x 35mm	
44	3291005	1	Nut M10	
45	4812000	8	Washer M10	
46	1001103644	1	Switch, Limit	
47	4832000	6	Lockwasher M10	

## SECTION 3 - SCISSORS ARMS

ITEM	PART NUMBER	QTY	DESCRIPTION	REV
		Ref	<b>SCISSOR ARMS AND CABLE ASSEMBLY</b>	
	0275826	Ref	<b>Scissor Arms and Cable Assembly 153-12</b>	C
	0275830	Ref	<b>Scissor Arms and Cable Assembly 180-12</b>	C
101	0700812	Ref	Bolt M8 x 25mm	
101	0700812	6	Bolt M8 x 25mm 153-12	
101	0700812	12	Bolt M8 x 25mm 180-12	
103	4031709	Ref	Bolt M6 x 25mm	
103	4031709	16	Bolt M6 x 25mm 153-12	
103	4031709	6	Bolt M6 x 25mm 180-12	
104	4831900	Ref	Lockwasher M8	
104	4831900	6	Lockwasher M8 153-12	
104	4831900	12	Lockwasher M8 180-12	
105	E000016	Ref	Relief, Strain	
105	E000016	8	Relief, Strain 153-12	
105	E000016	12	Relief, Strain 180-12	
106	E000045	Ref	Relief, Strain	
106	E000045	8	Relief, Strain 153-12	
106	E000045	12	Relief, Strain 180-12	
108	E000302	Ref	Plug, Hole	
108	E000302	16	Plug, Hole 153-12	
108	E000302	24	Plug, Hole 180-12	
109	H000371	Ref	Clamp, Cable	
109	H000371	8	Clamp, Cable 153-12	
109	H000371	3	Clamp, Cable 180-12	
110	H000430	8	Clamp, Cable (153-12 - Not Shown) <b>(Including 1200018432)</b>	
111		Ref	Arms Set, Scissors (See Items 201-250 for Breakdown)	
111	S900020	1	Arms Set, Scissors 153-12	
111	S900175	1	Arms Set, Scissors 180-12	
112	S900223	Ref	Plate, Cable	
112	S900223	1	Plate, Cable 153-12	
112	S900223	2	Plate, Cable 180-12	
113	1062255	AR	Tie, Cable (Not Shown)	
		Ref	<b>SCISSOR ARMS SET</b>	
	S900020	Ref	<b>Scissor Arms Set 153-12</b>	D
	S900175	Ref	<b>Scissor Arms Set 180-12</b>	E
201	S000124	2	Bearing, Ball Thrust	
202	2160016	Ref	Fitting, Grease	
202	2160016	26	Fitting, Grease 153-12	
202	2160016	32	Fitting, Grease 180-12	
203	S000191	Ref	Nut KM12	
203	S000191	2	Nut KM12 153-12	
203	S000191	3	Nut KM12 180-12	
204	S000192	Ref	Nut KM10	
204	S000192	3	Nut KM10 153-12	
204	S000192	5	Nut KM10 180-12	
205	S000193	Ref	Washer, MB10 Retaining	
205	S000193	3	Washer, MB10 Retaining 153-12	
205	S000193	5	Washer, MB10 Retaining 180-12	
206	S000233	Ref	Washer, MB12 Retaining	
206	S000233	2	Washer, MB12 Retaining 153-12	
206	S000233	3	Washer, MB12 Retaining 180-12	

## SECTION 3 - SCISSORS ARMS

ITEM	PART NUMBER	QTY	DESCRIPTION	REV
207	S000234	1	Washer, MB16 Retaining	
208	S001238	1	Washer, MB20 Retaining	
209	S001240	1	Nut KM16	
210	S001241	1	Nut KM20	
211	S001491	2	Bearing, Ball Thrust	
212	S001802	6	Bearing, Ball Thrust	
213	S001803	6	Bearing, Ball Thrust	
214	S001804	Ref	Bearing, Ball Thrust	
214	S001804	4	Bearing, Ball Thrust 153-12	
214	S001804	6	Bearing, Ball Thrust 180-12	
215	S001805	Ref	Bearing, Ball Thrust	
215	S001805	6	Bearing, Ball Thrust 153-12	
215	S001805	10	Bearing, Ball Thrust 180-12	
216	S001806	3	Nut KM15	
217	S001807	3	Washer, MB15 Retaining	
218	S001808	3	Nut KM14	
219	S001809	3	Washer, MB14 Retaining	
220	S007111	3	Pin, 85 mm	
221	S007112	1	Pin, 110 mm	
222	S007113	3	Pin, 80 mm	
223	S007114	1	Pin, 90 mm	
224	S007115	Ref	Pin, 70 mm	
224	S007115	2	Pin, 70 mm 153-12	
224	S007115	3	Pin, 70 mm 180-12	
225	S007119	Ref	Pin, 60 mm	
225	S007119	3	Pin, 60 mm 153-12	
225	S007119	5	Pin, 60 mm 180-12	
226	S200091	1	Washer and Pin	
227	S200092	1	Washer and Pin	
228	S200151	1	Arm, #1 Center Scissor	
229	S200152	1	Arm, #1 Right Scissor	
230	S200153	1	Arm, #1 Left Scissor	
231	S200154	1	Arm, #2 Center Scissor	
232	S200155	1	Arm, #2 Right Scissor	
233	S200156	1	Arm, #2 Left Scissor	
234	S200157	1	Arm, #3 Center Scissor	
235	S200158	1	Arm, #3 Right Scissor	
236	S200159	1	Arm, #3 Left Scissor	
237	S200160	1	Arm, #4 Center Scissor	
238	S200161	1	Arm, #4 Right Scissor	
239	S200162	1	Arm, #4 Left Scissor	
240		Ref	Arm, #5 Center Scissor Options:	
240	S200163	1	Arm, #5 Center Scissor 153-12	
240	S900313	1	Arm, #5 Center Scissor 180-12	
241		Ref	Arm, #5 Right Scissor Options:	
241	S200164	1	Arm, #5 Right Scissor 153-12	
241	S900314	1	Arm, #5 Right Scissor 180-12	
242		Ref	Arm, #5 Left Scissor Options:	
242	S200165	1	Arm, #5 Left Scissor 153-12	
242	S900315	1	Arm, #5 Left Scissor 180-12	
243	S900316	1	Arm, #6 Center Scissor (180-12 Only)	

## SECTION 3 - SCISSORS ARMS

ITEM	PART NUMBER	QTY	DESCRIPTION	REV
244	S900317	1	Arm, #6 Right Scissor (180-12 Only)	
245	S200165	1	Arm, #6 Left Scissor (180-12 Only)	
246	S200166	3	Washer and Pin	
247	S200167	AR	Washer and Pin	
247	S200167	2	Washer and Pin 153-12	
247	S200167	3	Washer and Pin 180-12	
248	S200168	3	Washer and Pin	
249	S200169	Ref	Washer and Pin	
249	S200169	3	Washer and Pin 153-12	
249	S200169	5	Washer and Pin 180-12	
250	S900240	Ref	Pad, Felt	
250	S900240	75	Pad, Felt 153-12	
250	S900240	93	Pad, Felt 180-12	
		Ref	<b>INNER SCISSOR ARM ASSEMBLIES</b>	
	S200151	Ref	<b>Arm, #1 Inner</b>	D
	S200154	Ref	<b>Arm, #2 Inner</b>	C
	S200157	Ref	<b>Arm, #3 Inner</b>	C
	S200160	Ref	<b>Arm, #4 Inner</b>	C
	S200163	Ref	<b>Arm, #5 Inner (153-12 only)</b>	B
	S900313	Ref	<b>Arm, #5 Inner (180-12 only)</b>	B
	S900316	Ref	<b>Arm, #6 Inner (180-12 only)</b>	B
301	S000083	6	Bushing, 70 x 50mm (S200157 qty 2, S200160 qty 2 & S900313 qty 2)	
302	S000120	6	Bushing, 80 x 60mm (S200154 qty 2, S200157 qty 2 & S200160 qty 2)	
303	S000178	14	Bushing, 60 x 60mm (S200160 qty 2, S200163 qty 4, S900313 qty 4 & S900316 qty 4)	
304	S000182	2	Bushing, 90 x 90mm (S200157 qty 2)	
305	S001496	2	Bushing, 110 x 60mm (S200154 qty 2)	
306	S001810	8	Bushing, 85 x 60mm (S200151 qty 6 & S200154 qty 2)	
		Ref	<b>OUTER SCISSOR ARM ASSEMBLIES</b>	
	S200152	Ref	<b>Arm, #1 RH Outer</b>	B
	S200153	Ref	<b>Arm, #1 LH Outer</b>	B
	S200155	Ref	<b>Arm, #2 RH Outer</b>	D
	S200156	Ref	<b>Arm, #2 LH Outer</b>	C
	S200158	Ref	<b>Arm, #3 RH Outer</b>	C
	S200159	Ref	<b>Arm, #3 LH Outer</b>	C
	S200161	Ref	<b>Arm, #4 RH Outer</b>	B
	S200162	Ref	<b>Arm, #4 LH Outer</b>	B
	S200164	Ref	<b>Arm, #5 RH Outer (153-12 only)</b>	B
	S200165	Ref	<b>Arm, #5 LH Outer (153-12 only)</b>	C
	S900314	Ref	<b>Arm, #5 RH Outer (180-12 only)</b>	B
	S900315	Ref	<b>Arm, #5 LH Outer (180-12 only)</b>	B
	S900317	Ref	<b>Arm, #6 RH Outer (180-12 only)</b>	B
	S200165	Ref	<b>Arm, #6 LH Outer (180-12 only)</b>	C
401	S000083	12	Bushing, 70 x 50mm (S200158 qty 2, S200159 qty 2, S200161 qty 2, S200162 qty 2, S900314 qty 2 & S900315 qty 2)	
402	S000120	6	Bushing, 80 x 60mm (S200155 qty 2, S200156 qty 2, S200158 qty 2, S200159 qty 2, S200161 qty 2 & S200162 qty 2)	
403	S000178	28	Bushing, 60 x 60mm (S200161 qty 2, S200162 qty 2, S200164 qty 4, S200165 qty 4, S900314 qty 4, S900315 qty 4 & S900317 qty 4)	
404	S000182	4	Bushing, 90 x 90mm (S200158 qty 2 & S200159 qty 2)	



## SECTION 3 - SCISSORS ARMS

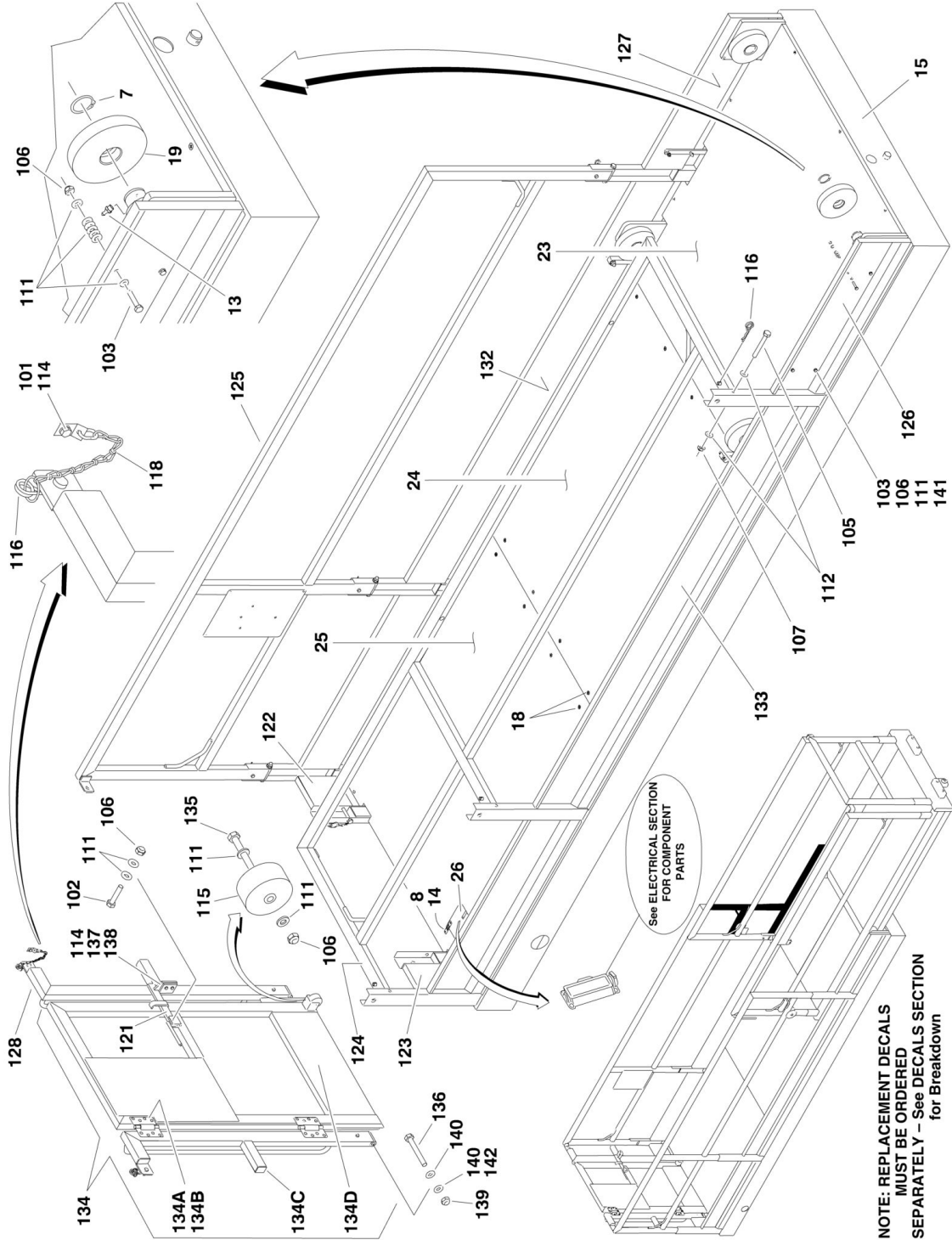
ITEM	PART NUMBER	QTY	DESCRIPTION	REV
405	S001496	4	Bushing, 110 x 60mm (S200155 qty 2 & S200156 qty 2)	D
406	S001810	12	Bushing, 85 x 60mm (S200152 qty 4, S200153 qty 4, S200155 qty 2 & S200156 qty 2)	
	0275800	Ref	<b>PLATFORM MOUNT INSTALLATION</b>	
501	0701229	3	Bolt M12 x 120	
502	0761007	6	Bolt M10 x 14	
503	0761010	2	Bolt M10 x 20	
504	3291005	8	Nut M10	
505	3291205	3	Nut M12	
506	4032011	8	Bolt M10 x 35	
507	4812000	8	Washer M10	
508	4812100	6	Washer M12	
509	4832000	8	Lockwasher M10	
512	2160016	4	Fitting, Grease	
513	S007030	1	Pin, 60 mm	
514	S007031	1	Pin, 60 mm	
514A	S000139	2	Bushing	
515	S007033	2	Pin, 35 mm	
516	S200173	2	Slide, Platform	
516A	S000140	2	Bushing	
517	S200174	2	Pad, Wear	
518	S900186	2	Channel, Safety	
519	S000142	4	Cap, Grease Fitting (Not Shown)	



**SECTION 4 - PLATFORM**

# SECTION 4 - PLATFORM

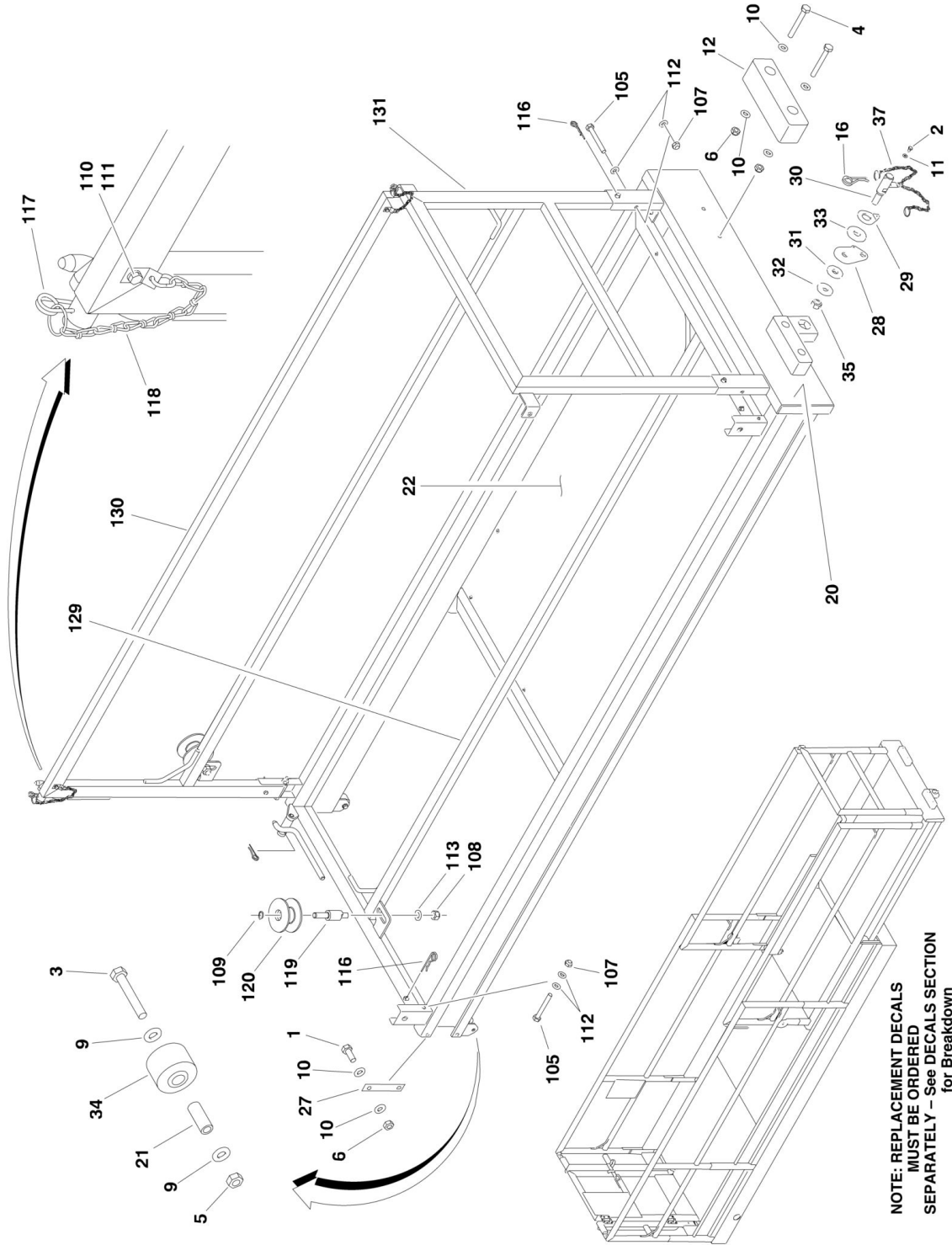
## FIGURE 4-1. PLATFORM AND ACCESSORIES INSTALLATION



See ELECTRICAL SECTION  
FOR COMPONENT  
PARTS

NOTE: REPLACEMENT DECALS  
MUST BE ORDERED  
SEPARATELY - See DECALS SECTION  
for Breakdown

# SECTION 4 - PLATFORM



# SECTION 4 - PLATFORM

## FIGURE 4-1. PLATFORM AND ACCESSORIES INSTALLATION

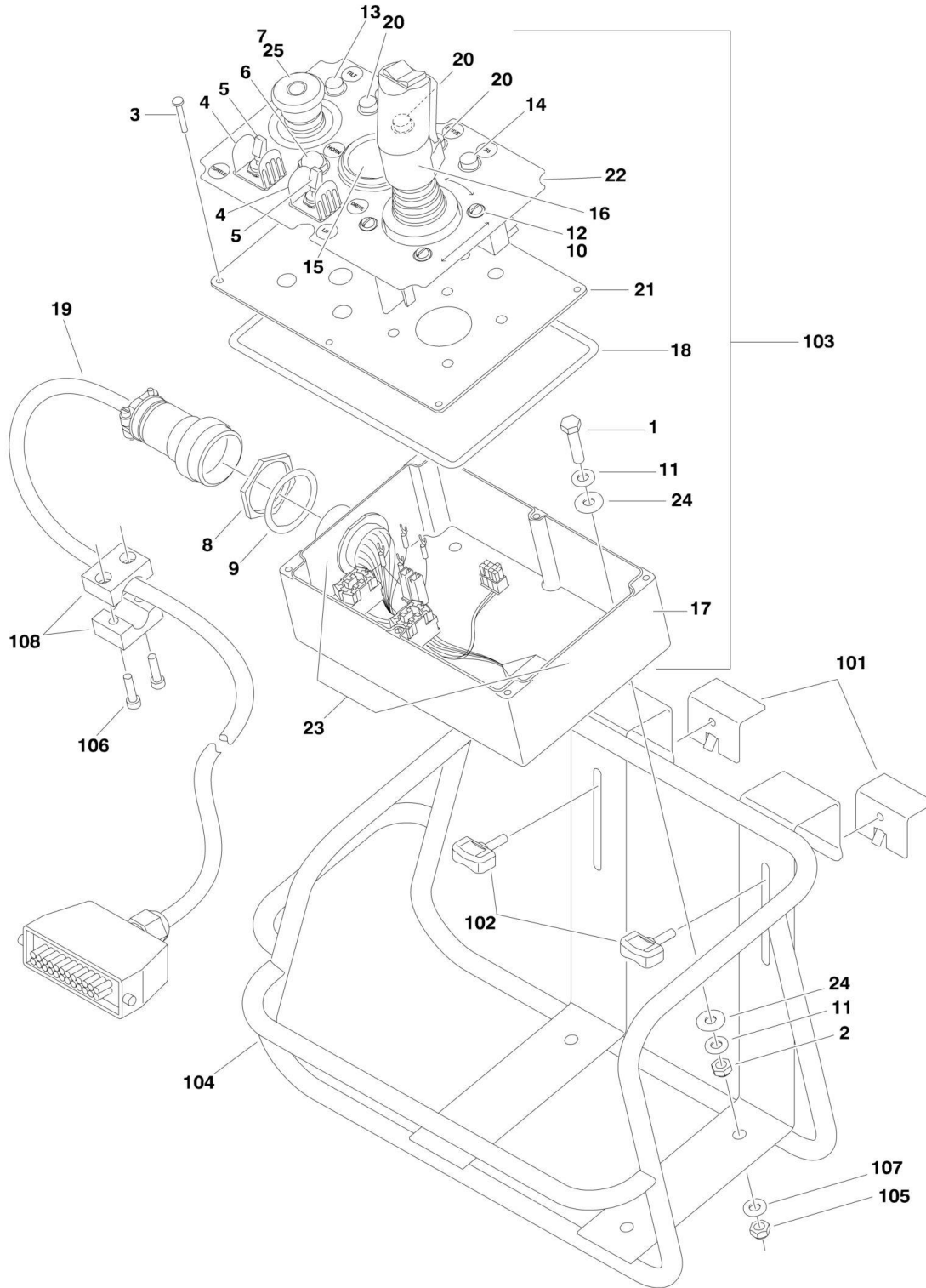
ITEM	PART NUMBER	QTY	DESCRIPTION	REV
	0275801	Ref	<b>PLATFORM AND EXTENSION INSTALLATION</b>	G
1	0701017	4	Bolt M10 x 45mm	
2	0760605	1	Bolt M6 x 10mm	
3	0760819	2	Bolt M8 x 55mm	
4	0701024	4	Bolt M10 x 80mm	
5	3290805	2	Locknut M8	
6	3291005	8	Locknut M10	
7	3760491	4	Ring, Snap	
8	3900376	12	Screw, Countersunk	
9	4811900	4	Washer M8	
10	4812000	16	Washer M10	
11	4831700	1	Lockwasher M6	
12	S000055	2	Bumper	
13	2160016	4	Fitting, Grease	
14	S000237	2	Hinge	
15	S000439	1	Weldment, Platform	
16	S000510	1	Pin, M4 Cotter	
18	S001445	46	Screw, Self-Tapping	
19	S005049	4	Roller	
20	S200449	1	Weldment, Extension	
21	S900017	2	Spacer	
22	S900047	1	Floor, Extension Deck	
23	S900048	1	Floor, Main Deck Rear	
24	S900049	1	Floor, Main Deck Center	
25	S900050	1	Floor, Main Deck Front	
26	S900051	1	Door, Connector Compartment	
27	S900144	2	Plate, Stop	
28	S900145	1	Plate, Extension Deck Lock	
29	S900146	1	Plate, Chain Hook	
30	S900147	1	Pin, Deck Lock	
31	S900148	1	Washer	
32	S900149	1	Washer	
33	S900150	1	Washer	
34	S900155	2	Roller	
35	3291605	1	Locknut M16	
36	S000142	4	Cap, Grease Fitting (Not Shown)	
37	S900275	1	Chain	
	0275802	Ref	<b>RAILS INSTALLATION</b>	D
101	0760605	6	Bolt M6 x 10mm	
102	0760614	1	Bolt M6 x 30mm	
103		Ref	Bolt Options:	
103	0760614	4	Bolt M6 x 30mm (SN 1200020463 through 1200020968)	
103	0760615	4	Bolt M6 x 35mm (SN 1200020463 through 1200020967)	
103	0760805	8	Bolt M8 x 10mm (SN 1200020968 to Present)	
105	0701024	12	Bolt M10 x 80mm	
106	3290605	AR	Locknut M6	
107	3291005	12	Locknut M10	
108	3291605	2	Locknut M16	
109	3760518	2	Ring, Snap	
110	3900376	2	Screw, Countersunk	

## SECTION 4 - PLATFORM

ITEM	PART NUMBER	QTY	DESCRIPTION	REV
111	4811700	AR	Washer M6	
112	4812000	24	Washer M10	
113	4812300	2	Washer M16	
114	4831700	AR	Lockwasher M6	
115	S000031	1	Roller, Door	
116	S000145	20	Pin, M3 Cotter	
117	S000510	2	Pin, M4 Cotter	
118	S001443	22	Chain	
119	S200230	2	Pin	
120	S200231	2	Roller	
121	S200238	1	Latch	
122	S200440	1	Kick Plate, RF	
123	S200441	1	Kick Plate, LF	
124	S200442	1	Rail, LH	
125	S200443	1	Rail, RH	
126	S200444	1	Kick Plate, LH Bolted	
127	S200445	1	Kick Plate, RH Bolted	
128	1001101875	1	Rail, RF	
129	S200450	1	Rail, LH Extension	
130	S200451	1	Rail, RH Extension	
131	S200452	1	Rail, Rear Extension	
132	S900216	1	Kick Plate, RH	
133	S900217	1	Kick Plate, LH	
134	S900321	1	Gate and LF Rail Assembly	
134A	2080040	16	Fastener, Huck	
134B	2600281	2	Hinge	
134C	1001101874	1	Rail, LF	
134D	1001101876	1	Gate	
135	0700619	1	Bolt M6 x 55mm	
136		Ref	Bolt Options:	
136	0701024	2	Bolt (M10 x 80mm) (SN 1200020463 through 1200020967)	
136	0701224	2	Bolt (M12 x 80mm) (SN 1200020968 to Present)	
137	0760612	2	Bolt M6 x 25mm	
138	1001103161	1	Plate, Latch	
139		Ref	Locknut Options:	
139	3291005	2	Locknut (M10) (SN 1200020463 through 1200020967)	
139	3291205	2	Locknut (M12) (SN 1200020968 to Present)	
140		Ref	Flatwasher Options:	
140	4812000	4	Flatwasher (M10) (SN 1200020463 through 1200020967)	
140	4812100	2	Flatwasher (M12) (SN 1200020968 to Present)	
141	4831900	AR	Lockwasher M8	
142	4832100	2	Lockwasher M12 (SN 1200020968 to Present)	

# SECTION 4 - PLATFORM

## FIGURE 4-2. CONSOLE BOX INSTALLATION





## SECTION 4 - PLATFORM

### FIGURE 4-2. CONSOLE BOX INSTALLATION

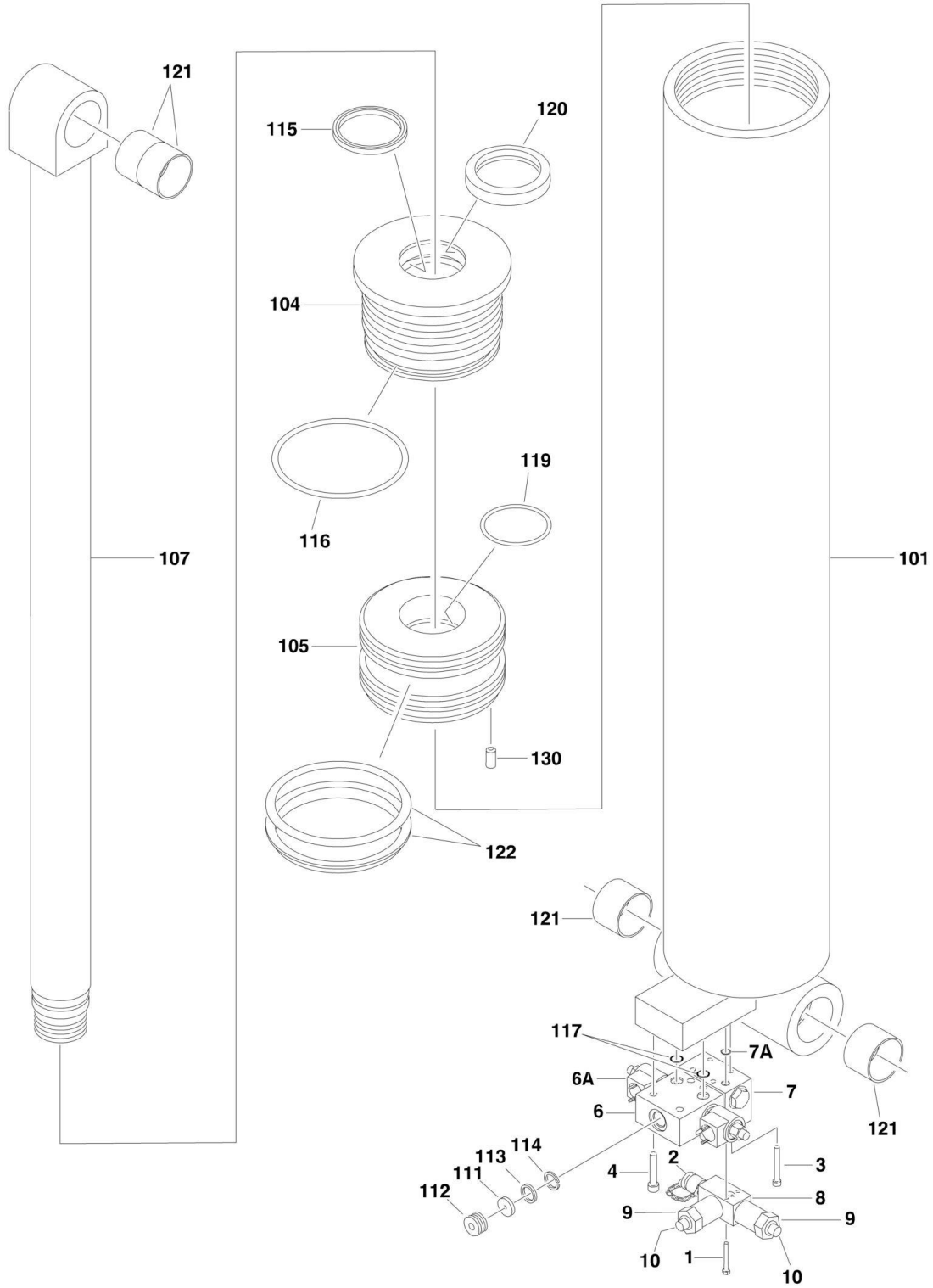
ITEM	PART NUMBER	QTY	DESCRIPTION	REV
	E900079	Ref	<b>CONSOLE BOX ASSEMBLY</b>	E
1	0760815	4	Bolt M8 x 35mm	
2	3290805	4	Locknut M8	
3	4010414	6	Screw M4 x 30mm	
4	4060802	2	Guard, Switch	
5	4360329	2	Switch, Toggle	
6	4360387	1	Switch, Push Button	
7	4360475	1	Switch, Emergency Stop	
7	7020175	1	Cap, Red	
7	7020176	1	Block, Contact	
8	4460470	1	Nut, Terminal	
9	4460471	1	Lockwasher, Terminal	
10	4740120	4	Washer, Nylon	
11	4811900	8	Flatwasher M8	
12	8303891	4	Screw #10 x 3/4in	
13	E000419	1	LED, Red	
14	E000420	1	LED, Red Flashing	
15	E000504	1	Gauge, Hourmeter/Battery	
16	E900025	1	Joystick	
17	1001096367	1	Housing, Console Box	
18	E900031	1	Seal, Console Box Lid	
19	E900042	1	Harness, Console Jumper (See ELECTRICAL SECTION for Breakdown)	
20	E900049	3	LED, Green	
21	E900080	1	Lid, Console Box	
22	E900081	1	Decal, Console Box Lid	
23	E900082	1	Harness, Console Box (See ELECTRICAL SECTION for Breakdown)	
24	4811902	8	Flatwasher M8 (Wide)	
25	4360476	1	Block, Contact	
	0275848	Ref	<b>CONSOLE BOX INSTALLATION</b>	C
101	0181847	2	Clamp, Console Bracket	
102	2560141	2	Screw, Thumb	
103	E900079	1	Box Assembly, Console (See Items 1-24 for Breakdown)	
104	1001096366	1	Bracket, Console Box	
105	3290805	4	Locknut M8	
106	4031709	2	Bolt M6 x 25mm	
107	4811900	4	Flatwasher M8	
108	H000371	1	Clamp	



**SECTION 5 - CYLINDER**

# SECTION 5 - CYLINDER

## FIGURE 5-1. LIFT CYLINDER ASSEMBLY



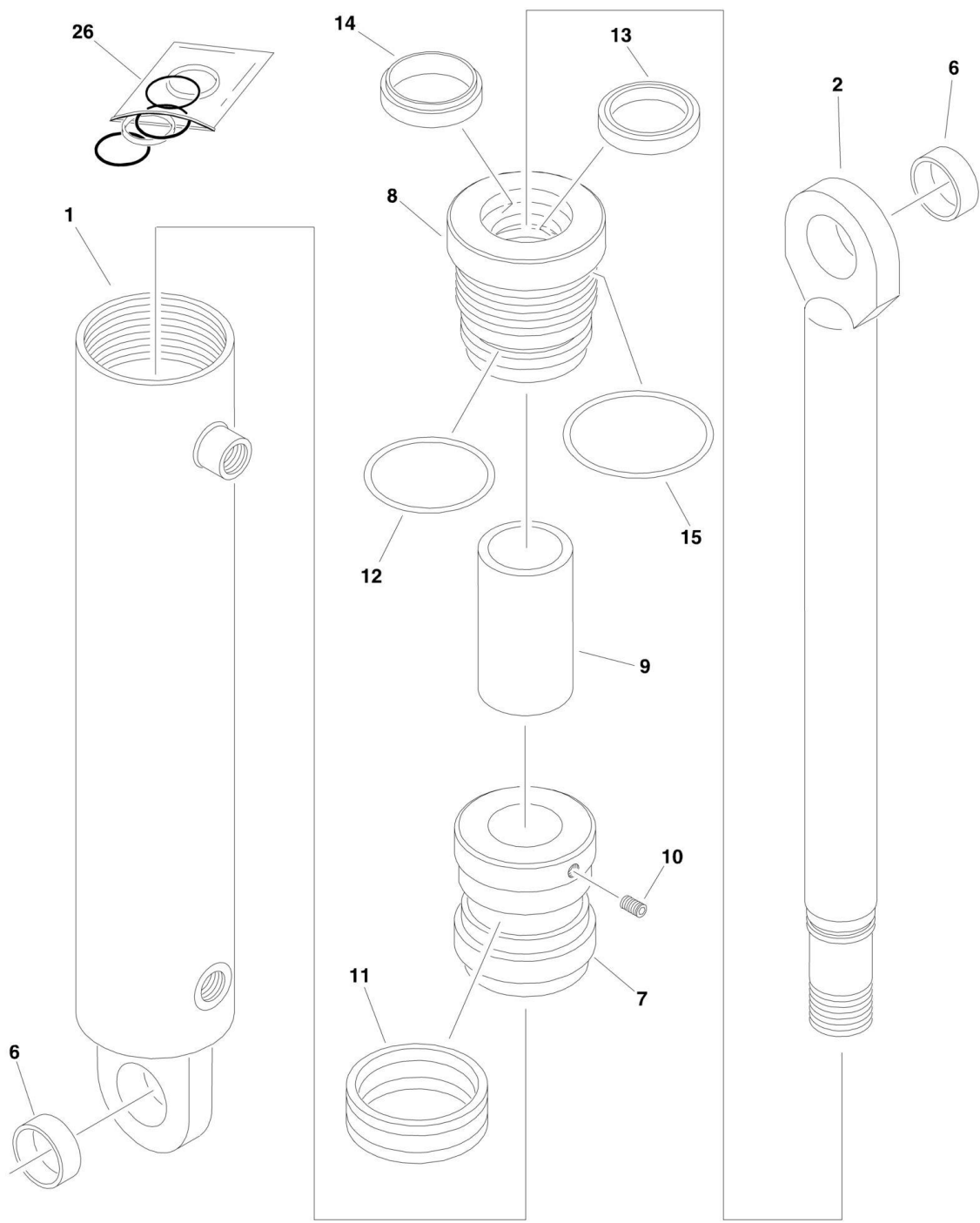
## SECTION 5 - CYLINDER

### FIGURE 5-1. LIFT CYLINDER ASSEMBLY

ITEM	PART NUMBER	QTY	DESCRIPTION	REV
	0275780	Ref	<b>LIFT CYLINDER AND VALVES INSTALLATION</b>	B
1	0760516	2	Bolt M5 x 40mm	
2	2221222	1	Fitting, Test Port	
3	4031714	4	Capscrew M6 x 50mm	
4	4031913	4	Capscrew M8 x 45mm	
6	H005243	1	Valve, Load Retaining	
6A	H000071	2	Valve, Holding	
6A	7012986	AR	Coil	
6A	7012998	AR	Seal Kit	
7	H005244	1	Block, Check Valve	
7	H000271	1	Piston	
7	7012955	1	Valve, Holding	
7	7012998		Seal Kit	
7A	70000189	1	O-Ring	
8	H705721	1	Block, Pressure Sensor	
9	H705722	2	Sensor, Pressure	
10	H705724	2	Cap, Pressure Sensor	
	H000684	Ref	<b>LIFT CYLINDER ONLY</b>	
101	S200426	1	Barrel Weldment	
104	S200185	1	Head	
105	S200184	1	Piston	
107	S200182	1	Rod Weldment	
111	70000185	1	Collar, Throttle	
112	70000186	1	Screw, Throttle	
113	70000187	1	Ring, Throttle	
114	Not Available	1	Ring, Snap	
115	H003090	1	Seal, Rod	
116	H003113	1	O-Ring	
117	70000188	2	O-Ring	
119	H003109	1	O-Ring	
120	H003084	1	Wiper	
121	S001810	4	Bushing	
122	H000530	1	Seal Set, Piston	
130	S200910	1	Setscrew (Note: No seal kit available. Purchase individual seals.)	

# SECTION 5 - CYLINDER

## FIGURE 5-2. STEERING CYLINDER ASSEMBLY



## SECTION 5 - CYLINDER

**FIGURE 5-2. STEERING CYLINDER ASSEMBLY**

ITEM	PART NUMBER	QTY	DESCRIPTION	REV
	H900015	Ref	<b>STEERING CYLINDER ASSEMBLY</b>	D
1	70000758	1	Barrel Weldment	
2	70000757	1	Rod Weldment	
6	70000749	2	Bushing	
7	70000750	1	Piston	
8	70000751	1	Head	
9	70000756	1	Spacer	
10	Not Available	1	Setscrew	
11	Item 26	1	Seal, Piston	
12	Item 26	1	O-Ring	
13	Item 26	1	Seal, Rod	
14	Item 26	1	Wiper	
15	Item 26	1	O-Ring	
26	70000755	1	Seal Kit (Includes Items 11 - 15)	

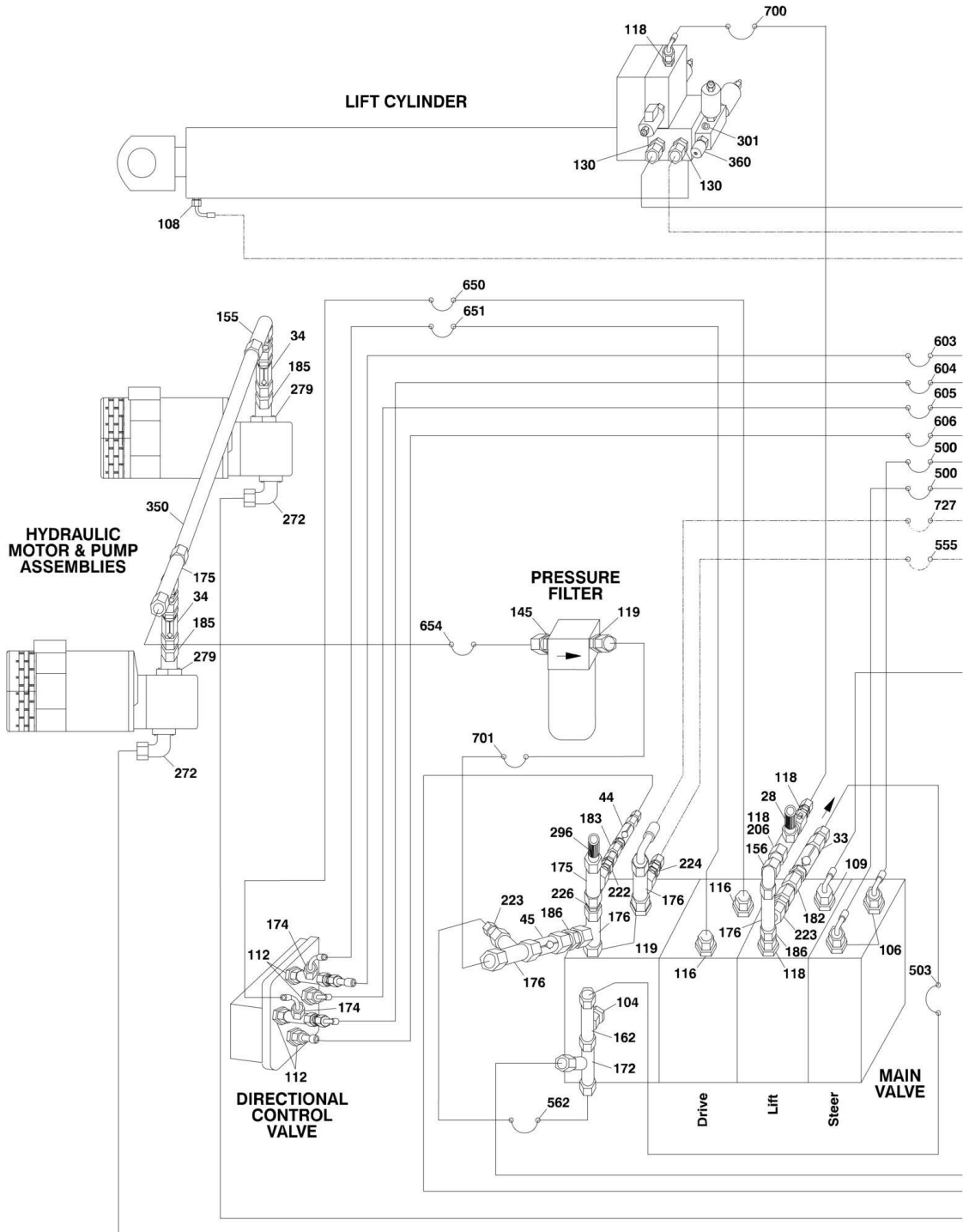




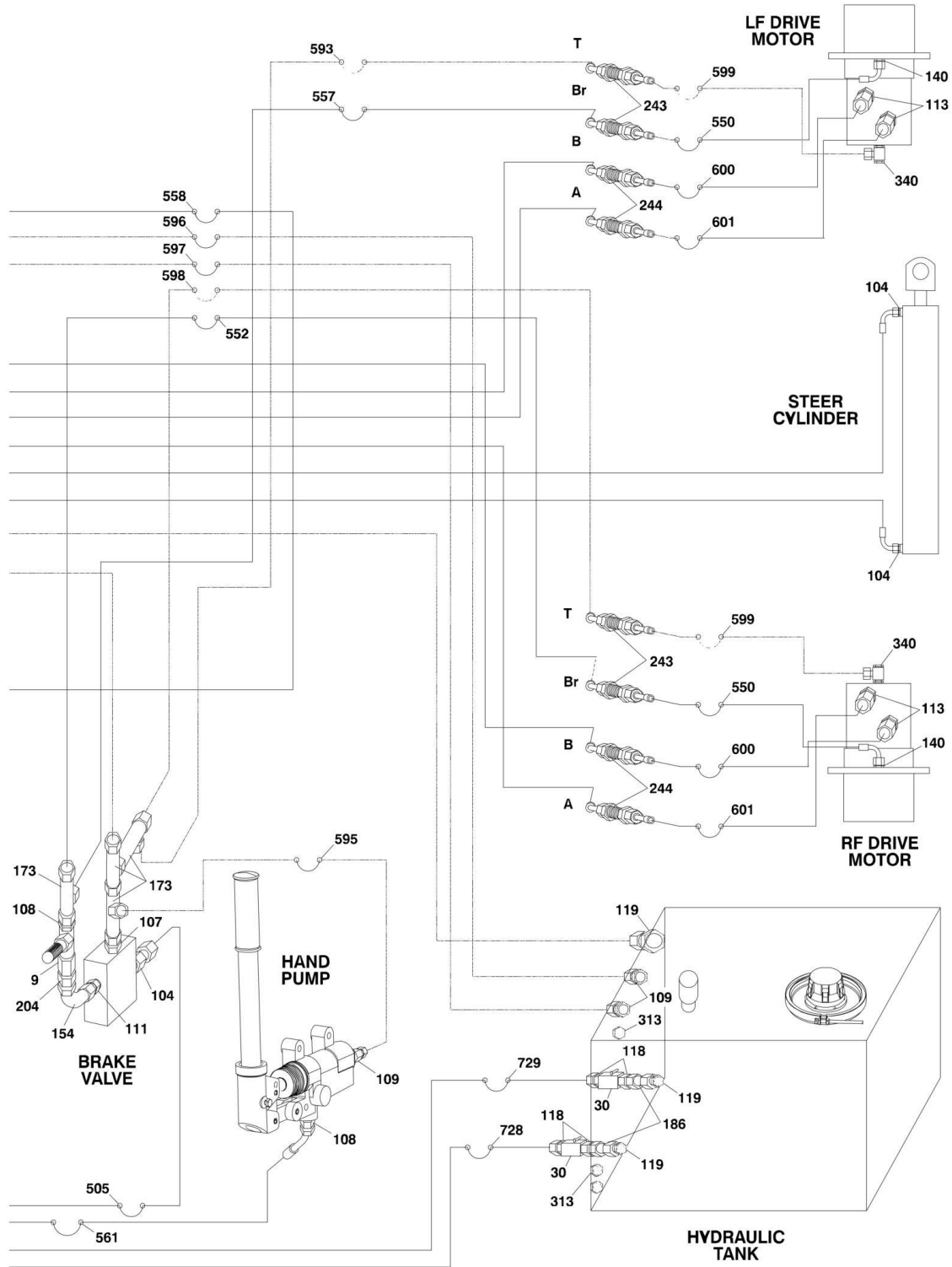
**SECTION 6 - HYDRAULIC**

# SECTION 6 - HYDRAULIC

## FIGURE 6-1. HYDRAULIC DIAGRAM



# SECTION 6 - HYDRAULIC



# SECTION 6 - HYDRAULIC

## FIGURE 6-1. HYDRAULIC DIAGRAM

ITEM	PART NUMBER	QTY	DESCRIPTION	REV
	H900080	Ref	<b>HYDRAULIC VALVE KIT</b>	3
9	H000018	1	Valve, Lowering Speed Throttle UC-SVC-1701	
28	H000524	1	Valve, Throttle Check DRV 12G1/2in 350bar	
30	H000015	2	Valve, Ball NW 15	
33	H000351	1	Valve, Check RHD-8PL	
34	H000115	2	Valve, Check RHD 15-PL	
44	H000312	1	Valve, Check RHD 10-PL Only <b>(Prior to SN 1200020968)</b>	
45	H000319	1	Valve, Check RHD 18-PL	
	H900079	Ref	<b>HYDRAULIC FITTING KIT</b>	5
104	2142706	4	Fitting, Male Adapter GE 8-PLR-ED	
106	2142743	2	Fitting, Male Adapter GE 8-PL/R1/2-ED	
107	2142708	1	Fitting, Male Adapter GE 10-PLR-ED	
108	2142709	3	Fitting, Male Adapter GE 10-PL/R3/8-ED	
109	2142710	4	Fitting, Male Adapter GE 10-PL/R1/2-ED	
111	2142711	1	Fitting, Male Adapter GE 12-PL/R1/4-ED	
112	2142712	4	Fitting, Male Adapter GE 12-PLR-ED	
113	2142713	4	Fitting, Male Adapter GE 12-PL/R1/2-ED	
116	2142715	2	Fitting, Male Adapter GE 15-PLR-ED	
118	2142716	AR	Fitting, Male Adapter GE 18-PLR-ED	
119	2142717	6	Fitting, Male Adapter GE 18-PL/R3/4-ED	
130	2140803	2	Fitting, Male Adapter GE 10-PLM 14x1,5-ED/OMD	
140	H000148	2	Fitting, Connector M10x1 / M16x1,5	
145	2142757	1	Fitting, Male Adapter GE 15-PLR-ED A3C/OMD	
154	2143404	1	Fitting, Adjustable Angle EW 12-PL/OMD	
155	2143405	1	Fitting, Adjustable Angle EW 15-PL/OMD	
156	2143406	5	Fitting, Adjustable Angle EW 18-PL/OMD	
162	2142102	1	Fitting, Adjustable Tee ET 8-PL/OMD	
172	2142202	1	Fitting, Adjustable 90 EL 8-PL/OMD	
173	2142203	4	Fitting, Adjustable 90 EL 10-PL/OMD	
174	2142204	2	Fitting, Adjustable 90 EL 12-PL/OMD	
175	2142205	2	Fitting, Adjustable 90 EL 15-PL/OMD	
176	2142206	4	Fitting, Adjustable 90 EL 18-PL/OMD	
182	2143602	1	Fitting, Connector GZ 08-PL	
183	2143603	1	Fitting, Connector GZ 10-PL Only <b>(Prior to SN 1200020968)</b>	
185	2143605	2	Fitting, Connector GZ 15-PL	
186	2143606	AR	Fitting, Connector GZ 18-PL	
204	2142804	1	Fitting, Male Adapter EGE 12-LR-ED	
206	2142806	1	Fitting, Male Adapter EGE 18-LR-ED <b>(Prior to SN 1200020968)</b>	
222	2143510	1	Fitting, Reducer RED 15/10 -PL/OMD	
223	2143513	2	Fitting, Reducer RED 18/8 -PL/OMD	
224	2143514	1	Fitting, Reducer RED 18/10 -PL/OMD	
226	2143516	1	Fitting, Reducer RED 18/15 -PL/OMD	
243	2141503	4	Fitting, Bulkhead SV 10-PL/OMD	
244	2141504	4	Fitting, Bulkhead SV 12-PL/OMD	
272	2143705	2	Flange, Connecting BFK 18-PL/LK 40	
279	2143703	2	Flange, Connecting BFK 15-PL/LK 35	
296	2144105	1	Fitting, Test	
301	2143801	1	Plug, Threaded VSTI M12x1.5-ED <b>(Prior to SN 1200022073)</b>	
313	2143807	3	Plug, Threaded VSTI R 1/2-ED	
340	2143903	2	Fitting, Swivel SWVE 10 PLR-OMD	

## SECTION 6 - HYDRAULIC

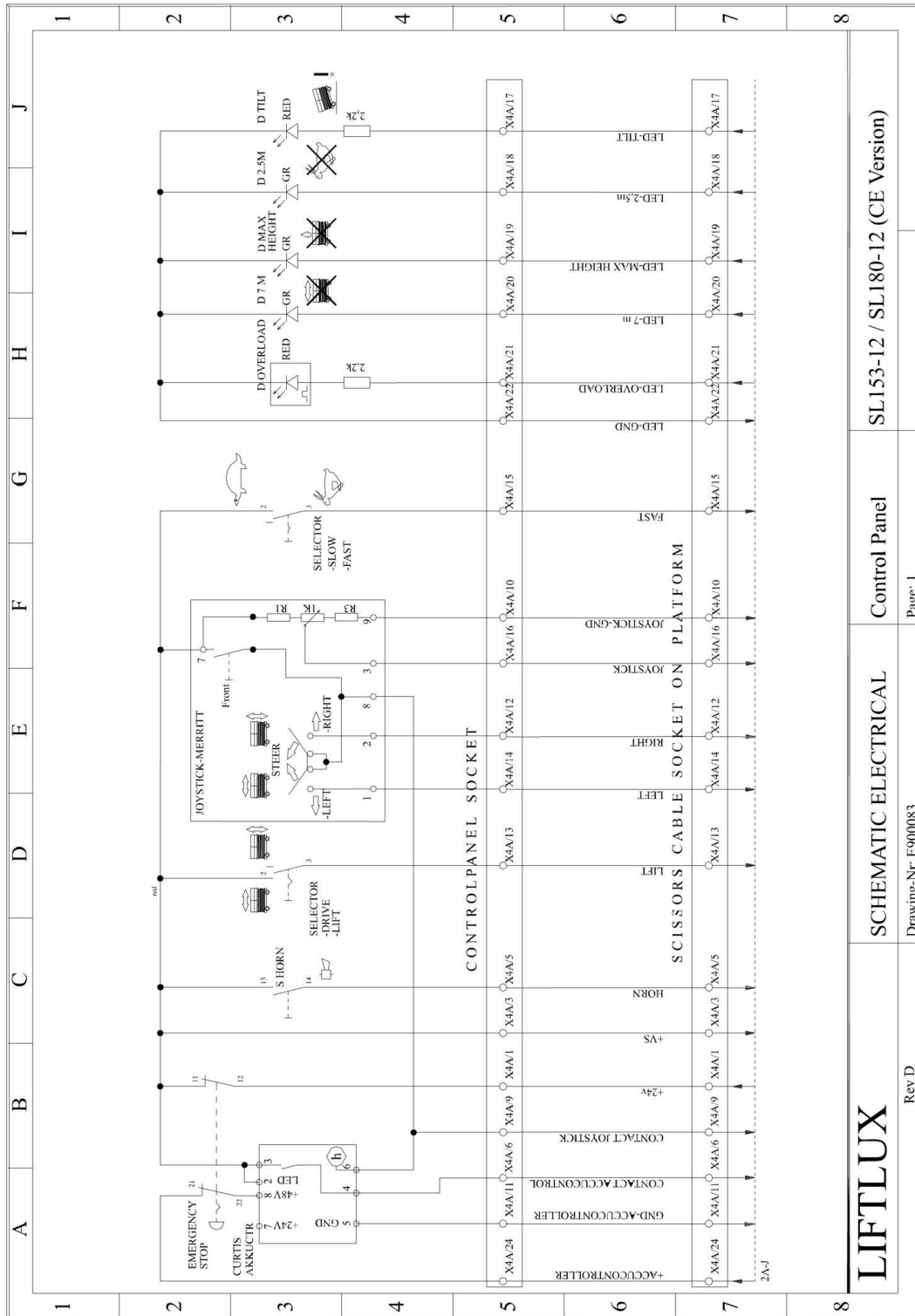
ITEM	PART NUMBER	QTY	DESCRIPTION	REV
350	3460515	1	Tube, RSt 35.4 NBK 160mm Long	4
360	2221222	1	Fitting, M16x2 Test <b>(Prior to SN 1200022073)</b>	
	H900078		<b>HYDRAULIC HOSE KIT</b>	
500	2754528	2	Hose, 2 SN 06 DKOL 90 DKOL -2800	
503	2754527	1	Hose, 2 SN 06 DKOL DKOL - 610	
505	2754524	1	Hose, 2 SN 06 DKOL DKOL - 700	
550	2754534	2	Hose, 2 SN 08 DKOL 90 DKOL - 930	
552	2754535	1	Hose, 2 SN 08 DKOL 90 DKOL - 1350	
555	2754533	1	Hose, 2 SN 08 DKOL 90 DKOL - 600	
557		Ref	Hose Options:	
557	2754531	1	Hose <b>(Prior to SN 1200020968)</b>	
557	2755102	1	Hose <b>(SN 1200020968 to Present)</b>	
558	2754537	1	Hose, 2 SN 08 DKOL 90 DKOL 90 (180grd) -2700	
561	2754536	1	Hose, 2 SN 08 DKOL 90 DKOL 90 - 900	
562	2754527	1	Hose, 2 SN 06 DKOL 90 DKOL - 610	
593	2754517	1	Hose, 1 SN 08 DKOL 90 DKOL -1560	
595		Ref	Hose Options:	
595	2754520	1	Hose <b>(Prior to SN 1200020968)</b>	
595	2754519	1	Hose <b>(SN 1200020968 to Present)</b>	
596	2754521	1	Hose, 1 SN 08 DKOL 90 DKOL 90 (180grd) -2250	
597	2754518	1	Hose, 1 SN 08 DKOL 90 DKOL -3150	
598		Ref	Hose Options:	
598	2754350	1	Hose <b>(Prior to SN 1200020968)</b>	
598	2755100	1	Hose <b>(SN 1200020968 to Present)</b>	
599	2754515	2	Hose, 1 SN 08 DKOL DKOL -945	
600	2754541	2	Hose, 2 SN 10 DKOL 45 DKOL -910	
601	2754538	2	Hose, 2 SN 10 DKOL DKOL -880	
603	2754539	1	Hose, 2 SN 10 DKOL DKOL -1600	
604	2754540	1	Hose, 2 SN 10 DKOL DKOL -1700	
605	2754540	1	Hose, 2 SN 10 DKOL DKOL -1700	
606	2754539	1	Hose, 2 SN 10 DKOL DKOL -1600	
650	2754542	1	Hose, 2 SN 12 DKOL DKOL 90 -12:10 - 980	
651	2754542	1	Hose, 2 SN 12 DKOL DKOL 90 -12:10 - 980	
652	2754543	1	Hose, 2 SN 12 DKOL 90 DKOL 90 (180grd) -470	
654	2754544	1	Hose, 2 SN 12 DKOL 90 DKOL 90 (180grd) -660	
700	2754546	1	Hose, 2 SN 16 DKOL 90 DKOL 45 (180grd) -2000	
701		Ref	Hose Options:	
701	2754384	1	Hose <b>(Prior to SN 1200020968)</b>	
701	2755101	1	Hose <b>(SN 1200020968 to Present)</b>	
727	2754523	1	Hose, 1 SN 16 DKOL 90 DKOL -780	
728	2754522	1	Hose, 1 SN 16 DKOL 45 DKOL -890	
729	2754522	1	Hose, 1 SN 16 DKOL 45 DKOL -890	



**SECTION 7 - ELECTRICAL**

# SECTION 7 - ELECTRICAL

## FIGURE 7-1. ELECTRICAL PLANS



**LIFTLUX**

Rev D

SCHEMATIC ELECTRICAL

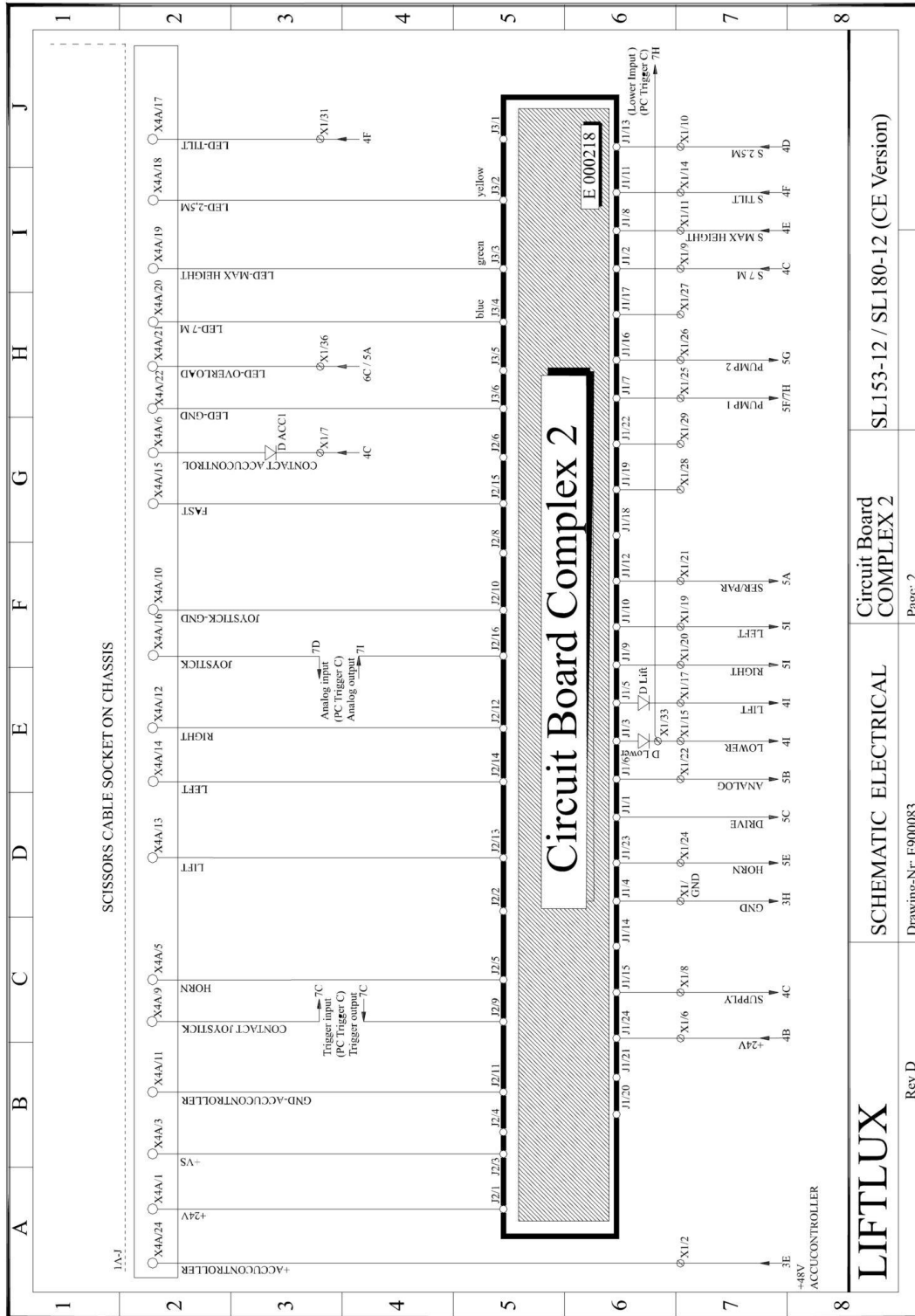
Control Panel

SL153-12 / SL180-12 (CE Version)

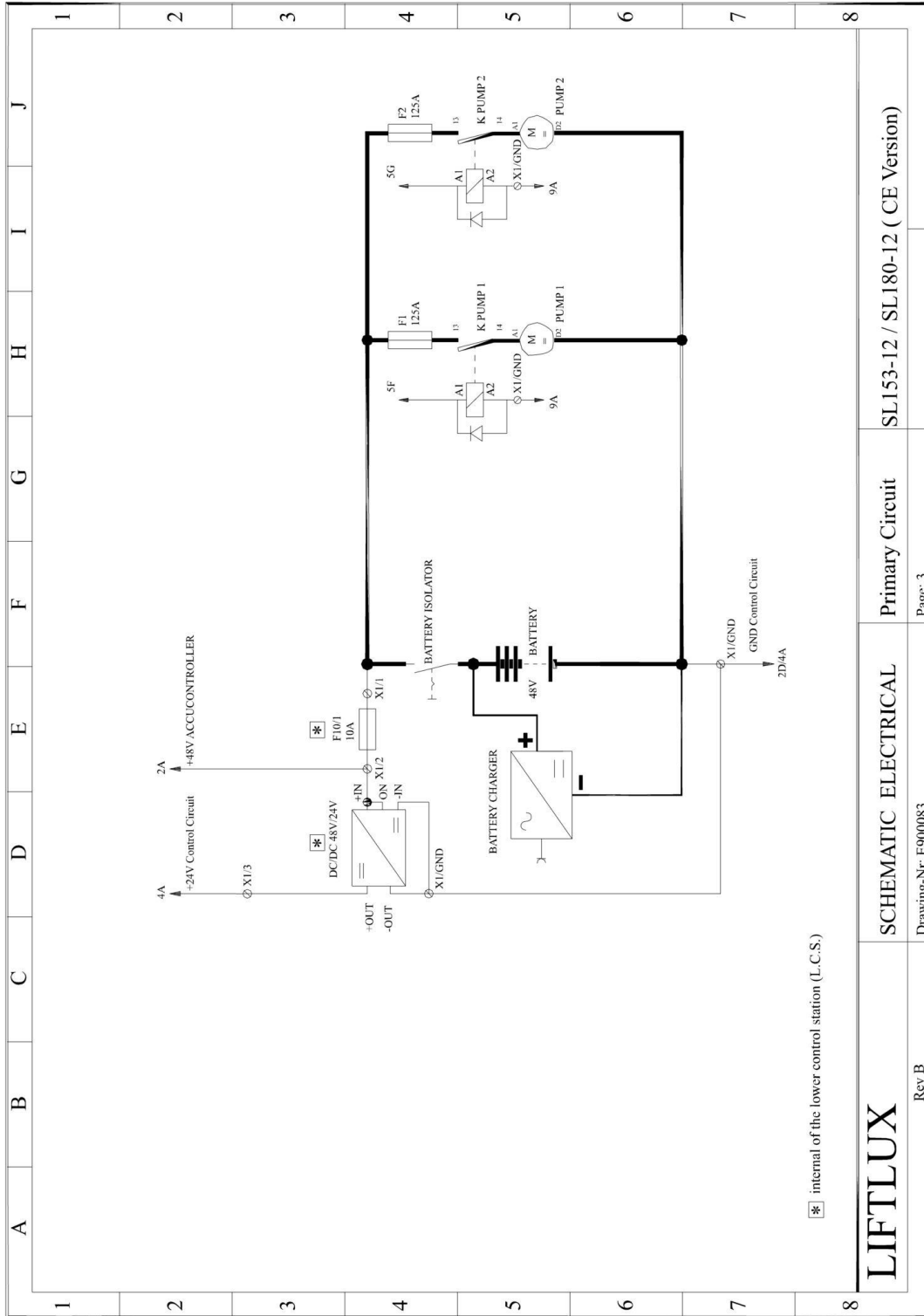
Drawing-Nr: E900083

Page: 1





# SECTION 7 - ELECTRICAL



**LIFTLUX**

Rev B

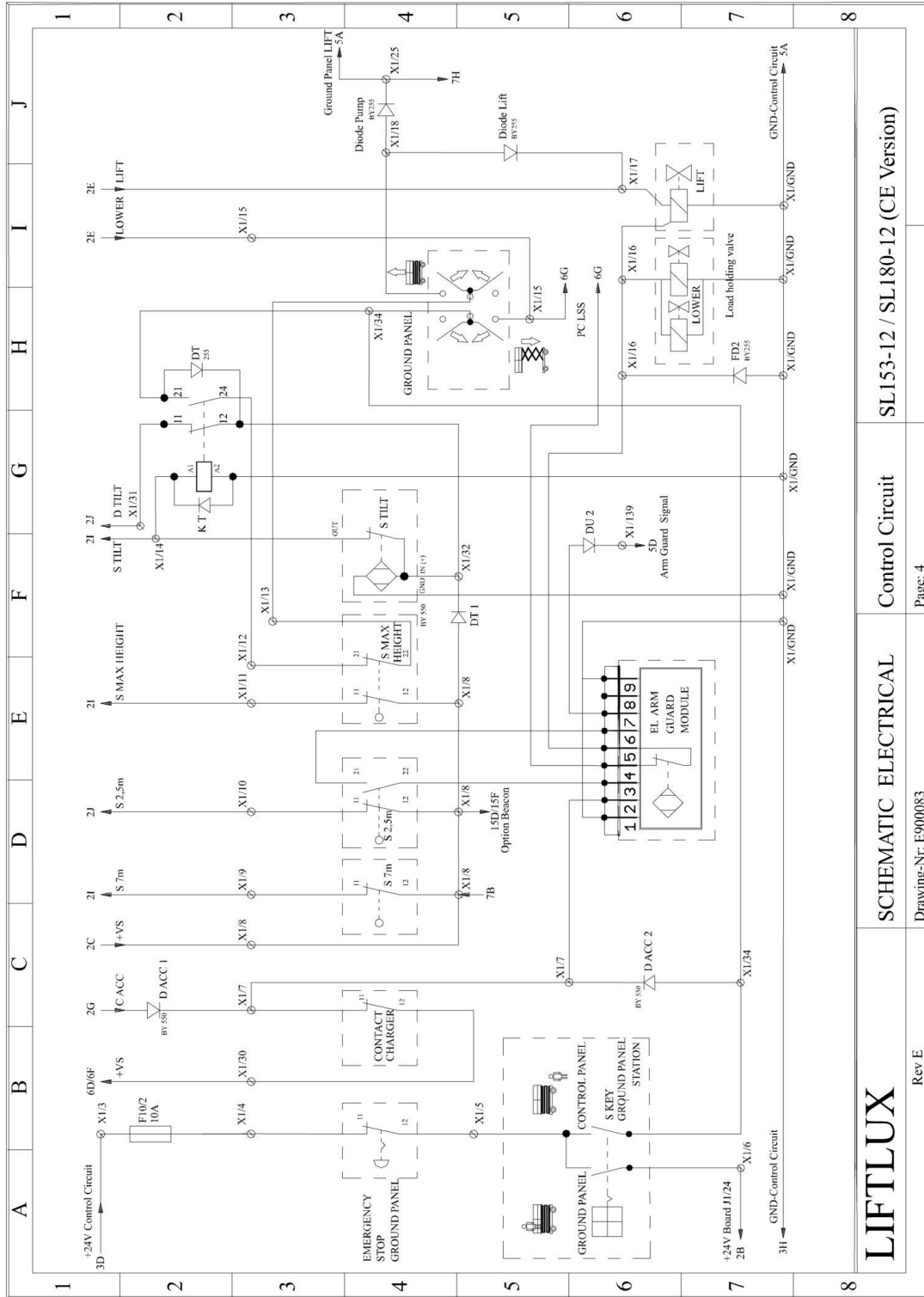
SCHEMATIC ELECTRICAL

Primary Circuit

SL153-12 / SL180-12 (CE Version)

Drawing-Nr: E900083

Page: 3



LIFTLUX

Rev E

SCHEMATIC ELECTRICAL

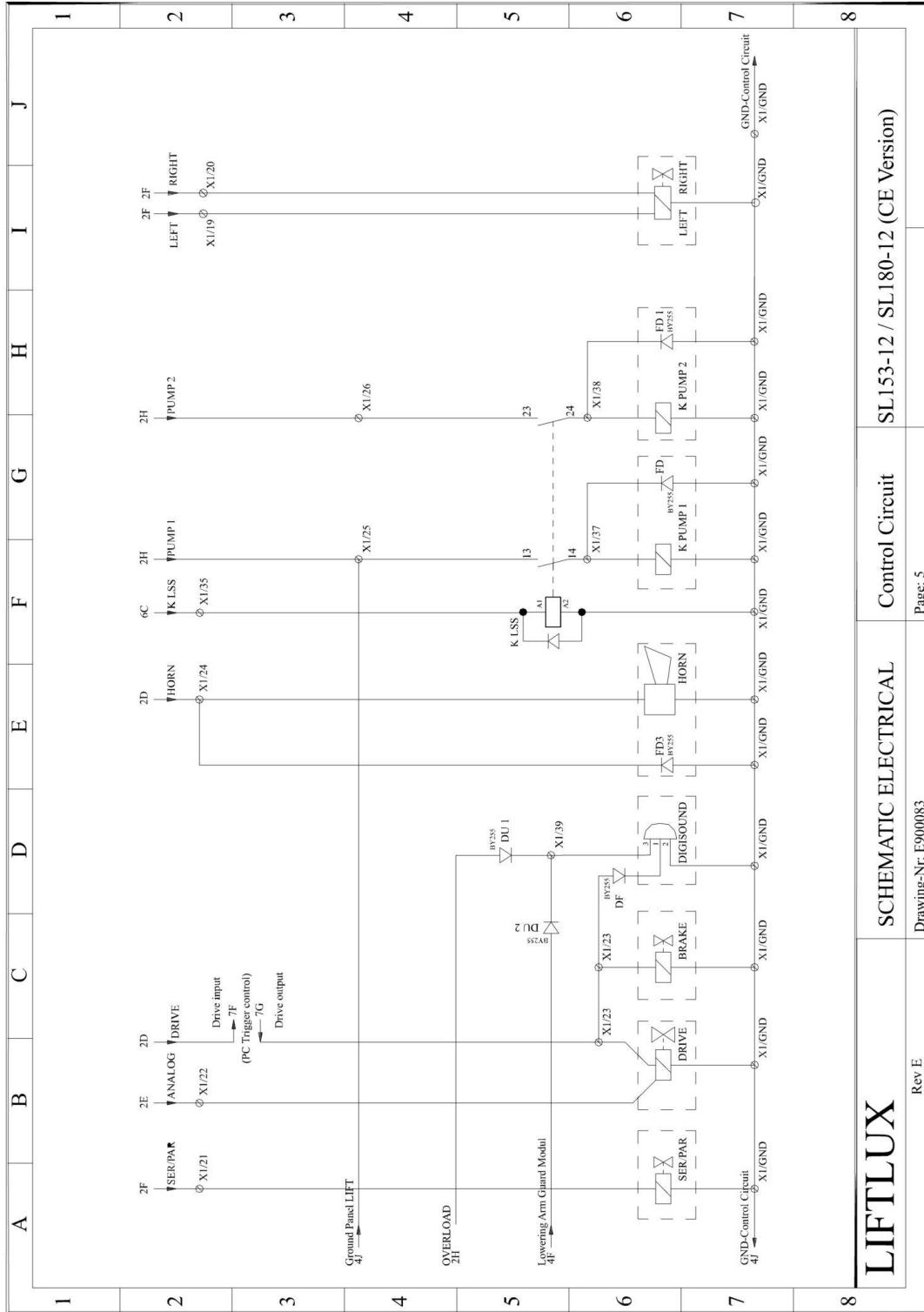
Control Circuit

SL153-12 / SL180-12 (CE Version)

Page: 4

Drawing-Nr: E900083

# SECTION 7 - ELECTRICAL



**LIFTLUX**

Rev E

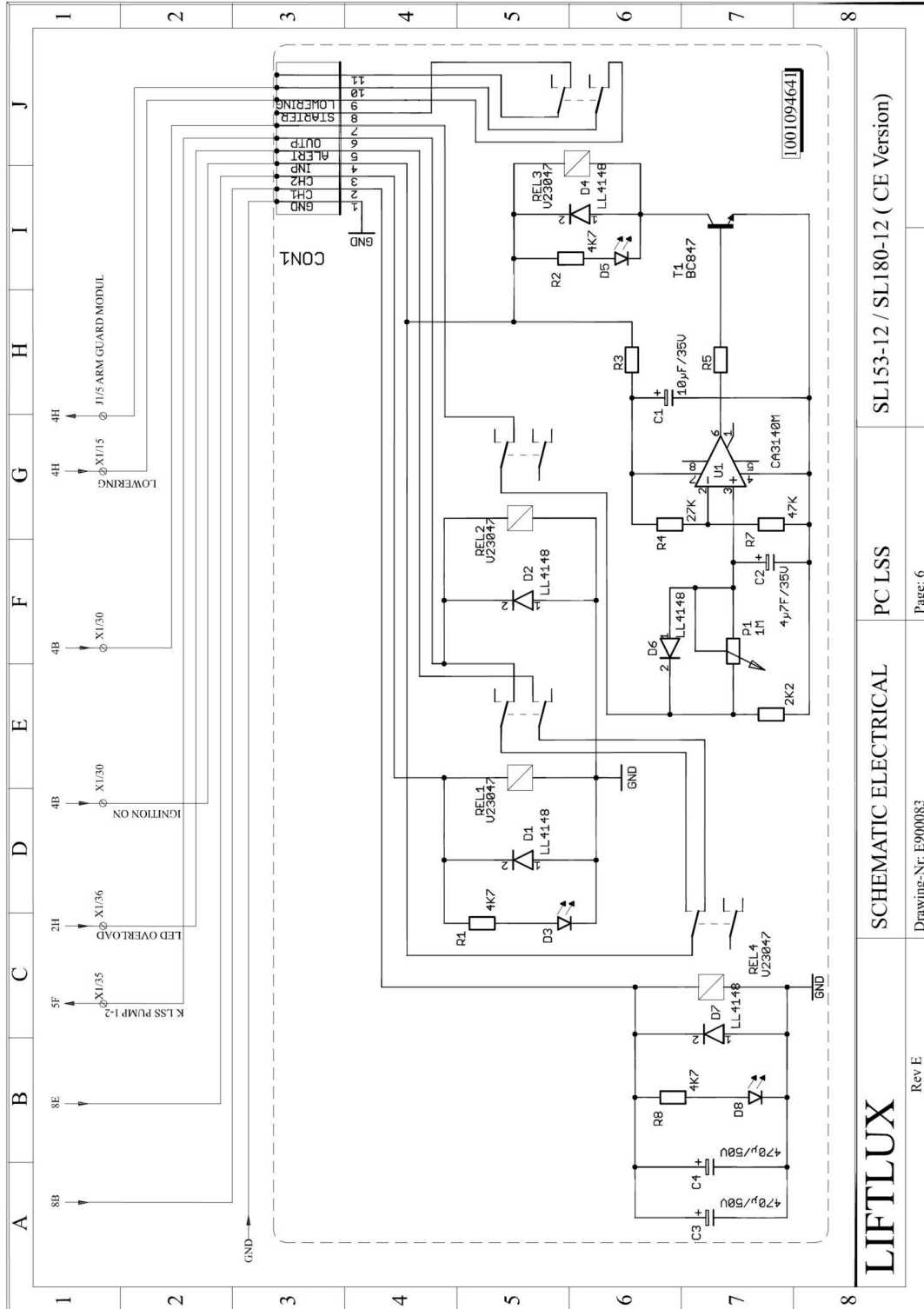
SCHEMATIC ELECTRICAL

Control Circuit

SL153-12 / SL180-12 (CE Version)

Drawing-Nr: E900083

Page: 5



SL153-12 / SL180-12 ( CE Version)

PC LSS

SCHEMATIC ELECTRICAL

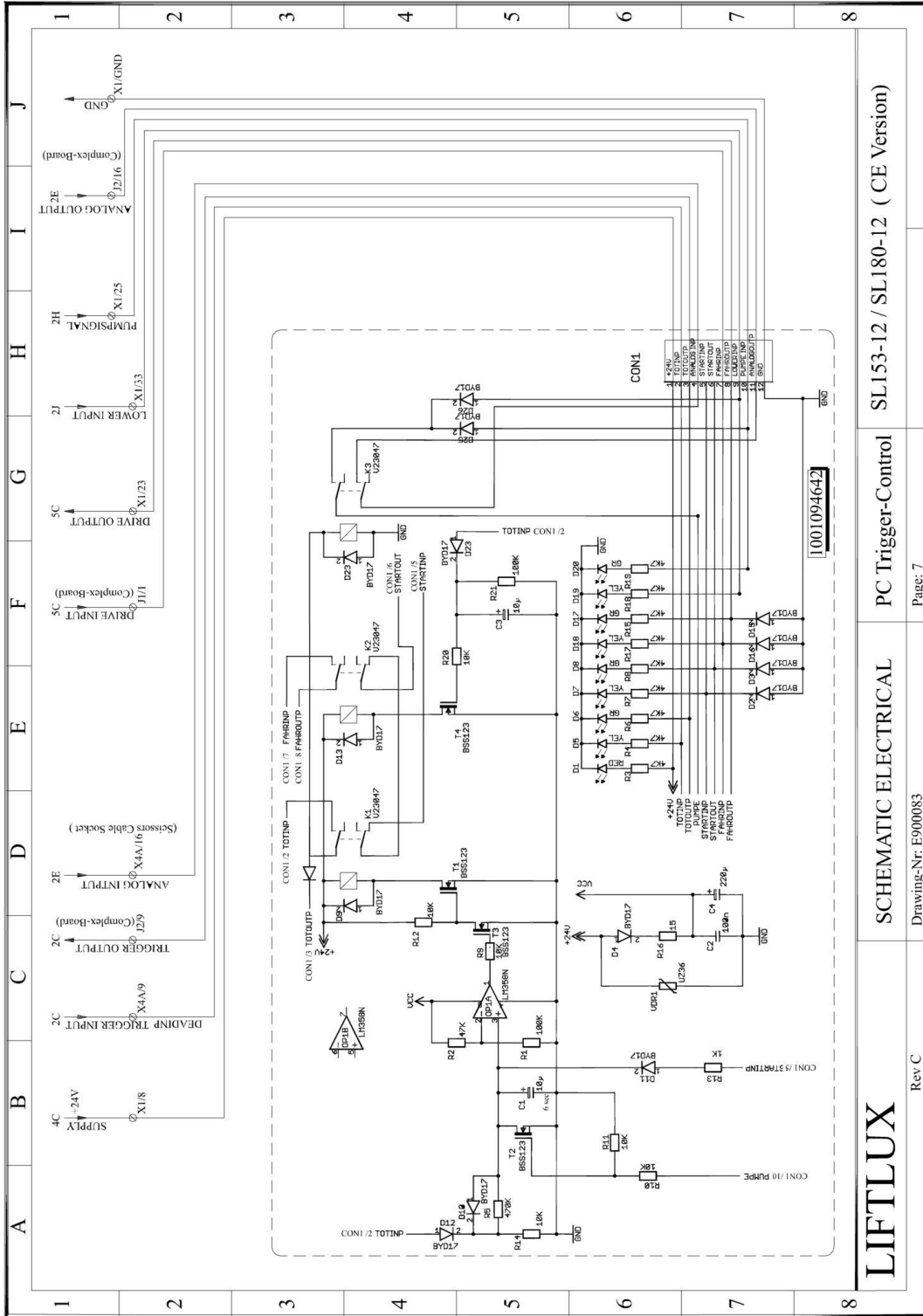
Page: 6

Drawing-Nr: E900083

LIFTLUX

Rev E

# SECTION 7 - ELECTRICAL



SL153-12 / SL180-12 ( CE Version)

PC Trigger-Control

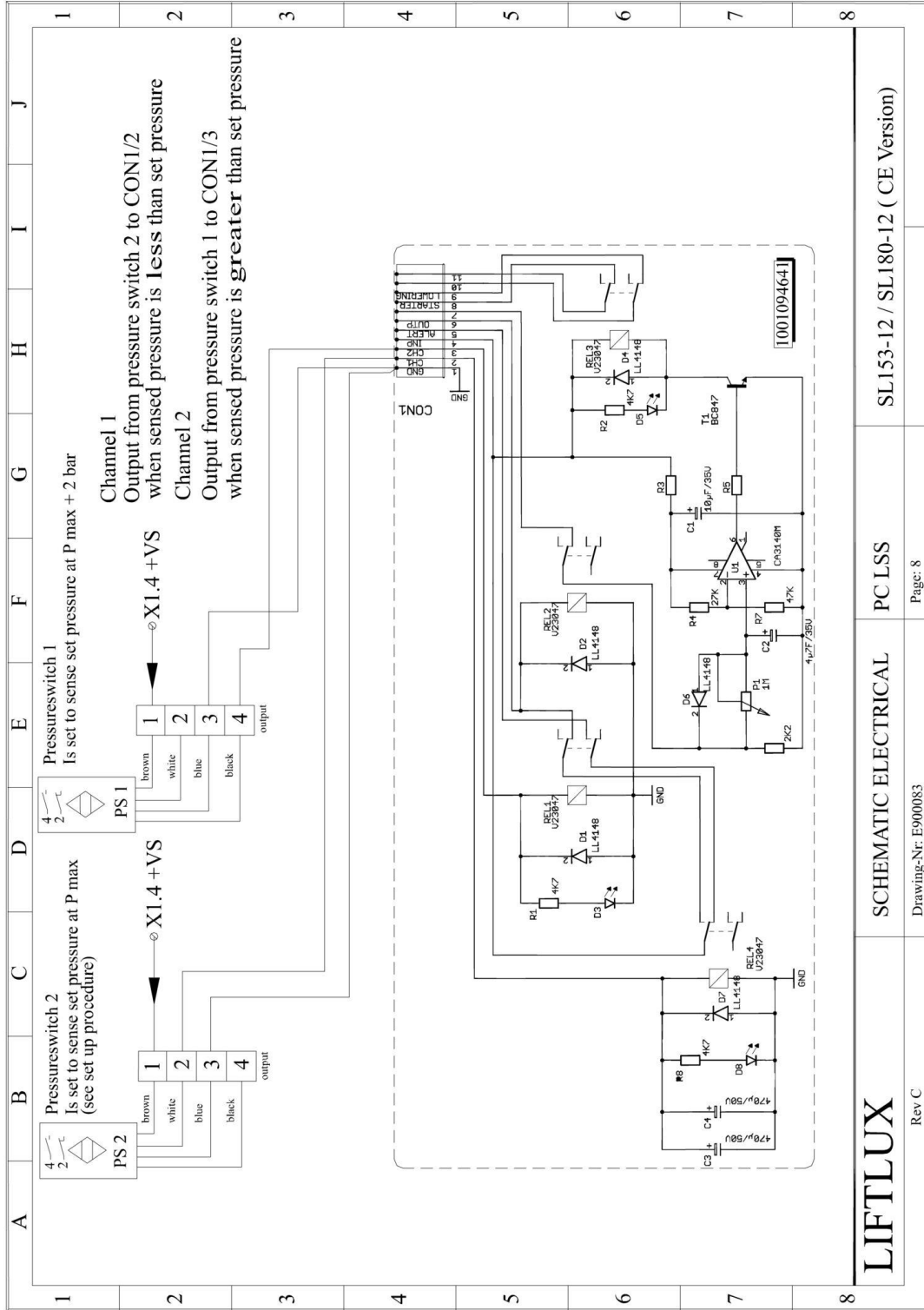
SCHEMATIC ELECTRICAL

Rev C

**LIFTLUX**

Page: 7

Drawing-Nr: E900083



LIFTLUX

SCHEMATIC ELECTRICAL

PC LSS

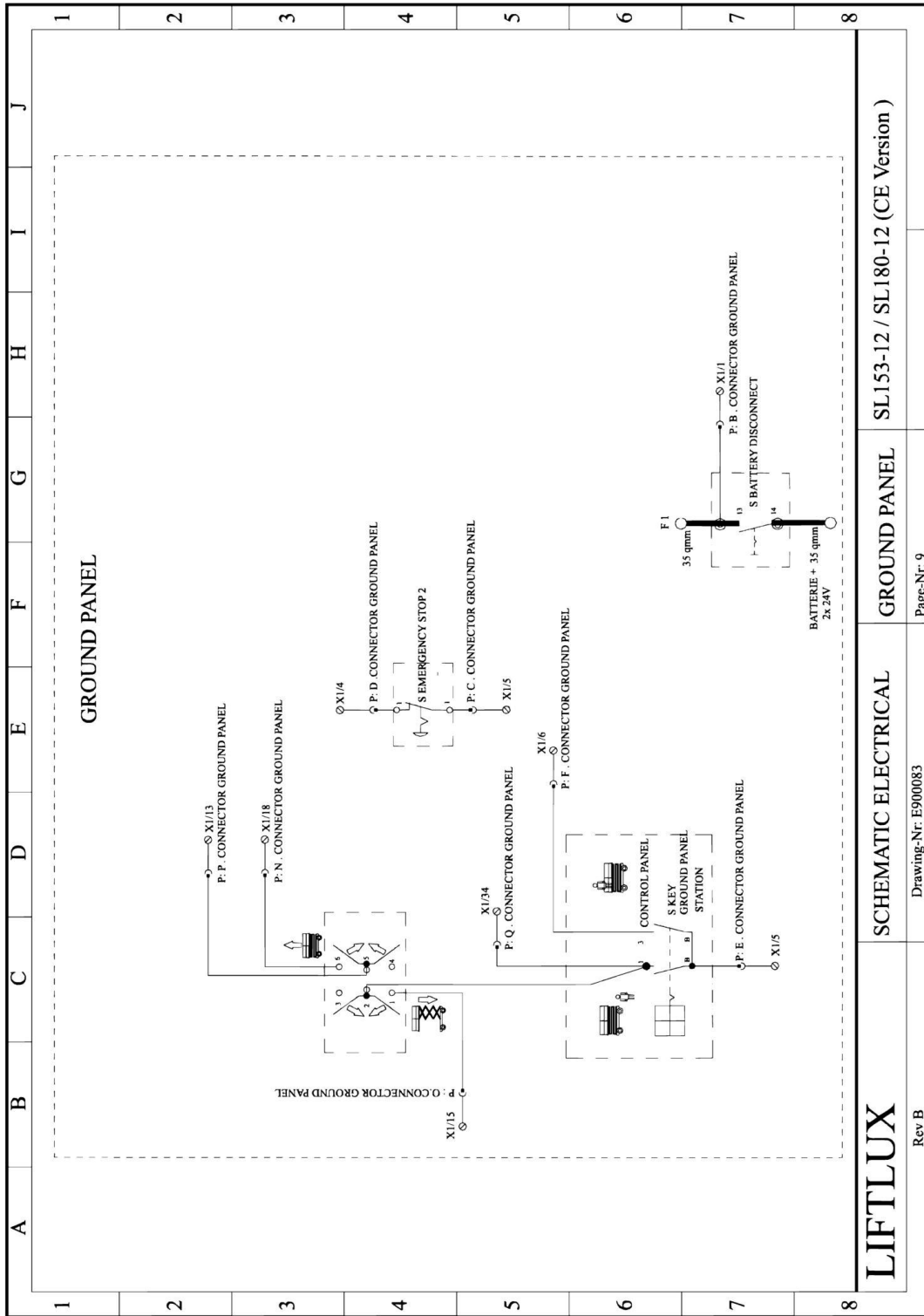
SL153-12 / SL180-12 (CE Version)

Rev C

Drawing-Nr: E900083

Page: 8

# SECTION 7 - ELECTRICAL



**LIFTLUX**

SCHEMATIC ELECTRICAL

GROUND PANEL

SL153-12 / SL180-12 (CE Version)

Rev B

Drawing-Nr: E900083

Page-Nr: 9



A	B	C	D	E	F	G	H	I	J
1	Battery + 3E	F101 (10A) IN 3E	TOP  3						
2	XMA24 +Accucomr 2A	DC/DC +OUT 3D		F101 (10A) OUT 3E					
3	S Emergency Stop 2 /11 4B	PressureSwitch 1 BN 8F		F102 (10A) IN 4B					
4	Ground Panel S Key 4B	S Emergency Stop 2 /12 4B		PressureSwitch 2 BN 8C	F102 (10A) OUT 4B				
5	Contact Charger /11 4C	Diode D ACC1 (Cathode) 4C		Complex J1/24 + 24V 2C	Ground Panel S Key 4B				
6	PC Trigger C. COM 1 7B	S 2.5m /12 4D		Diode D ACC2 (Cathode) 4C	Arm Guard Modul J1/2 4C				
7	S Max Height /12 4E	Diode DT 1 (Anode) 4E		S 7m /12 4D	Complex J1/15 + VS 2C				
8	S 7 m /11 4C			Option Beacon Front Slide 15F	Option Beacon Rear Slide 15D				
9	S 2.5m /11 4D				Complex J1/2 S 7 m 2I				
10	S Max Height /11 4E				Complex J1/13 S 2.5m 2I				
11	S Max Height /21 4F				Complex J1/8 S Max H. 2I				
12	S Max Height /22 4F				K T 24				
13	S Tilt OUT 4G				Ground Panel Lift 4H				
14	X1/33 2E	Ground Panel Lower 4H		K T A1 4G	Complex J1/11 S Tilt 2I				
15	Lower (load hold. valves) 4H	Arm Guard Modul J1/5 4H		PC LSS COM 9 4H	Lift Valve 4I				
16	Lift Valve 4I	Diode DT 1 (Anode) 4I		FD2 (Cathode) 4F	D Lift (Cathode) 2E				
17	Steer Left Valve 5I	Diode Pump (Anode) 4I		Diode Lift (Anode) 4I	Ground Panel Lift 4H				
18	Steer Right Valve 5J				Complex J1/10 Left 2F				
19	Ser/Par Valve 5A				Complex J1/9 Right 2F				
20	Drive Valve/Analog 5C	Brake Valve 5C			Complex J1/12 Ser/Par 2F				
21	+Drive Valve IN 5C				Complex J1/6 Analog 2E				
22	PC Trigger C. COM 10 7H				PC Trigger C. COM 8 7G				
23	K LSS 23 5G				Complex J1/23 Horn 2D				
24					Complex J1/7 Pump 1 2H				
25					Complex J1/16 Pump 2 2H				
26					Complex J1/17 Pump 3 2H				
27					Complex J1/19 PLTF IN 2G				
28					Complex J1/22 PLTF O. 2G				
29					PC LSS COM 7 6F				
30	Contact Charger /12 4C				PC LSS COM 4 6D				
31	X4/17 D Tilt 2I	K T 11 4F							
32	S Tilt /IN+ 4F	Diode DT 1 (Cathode) 4F							
33		PC Trigger C. COM 9 7H							
34	Ground Panel S Key 4B	K T 21 / DT(Anode) 4H							
35	PC LSS COM 5 6C	K LSS A1 6D							
36	PC LSS COM 6 6C	Diode DU 1 (Anode) 5D							
37	K Pump 1 /A1 5F	Diode FD (Cathode) 5G							
38	K Pump 2 /A1 5G	Diode FDI (Cathode) 5H							
39	Digitisound 3 5D	Diode DG 1 (Cathode) 5D							
40		Diode DU 2 (Cathode) 5C							

# LIFTLUX

Rev E

SCHEMATIC ELECTRICAL

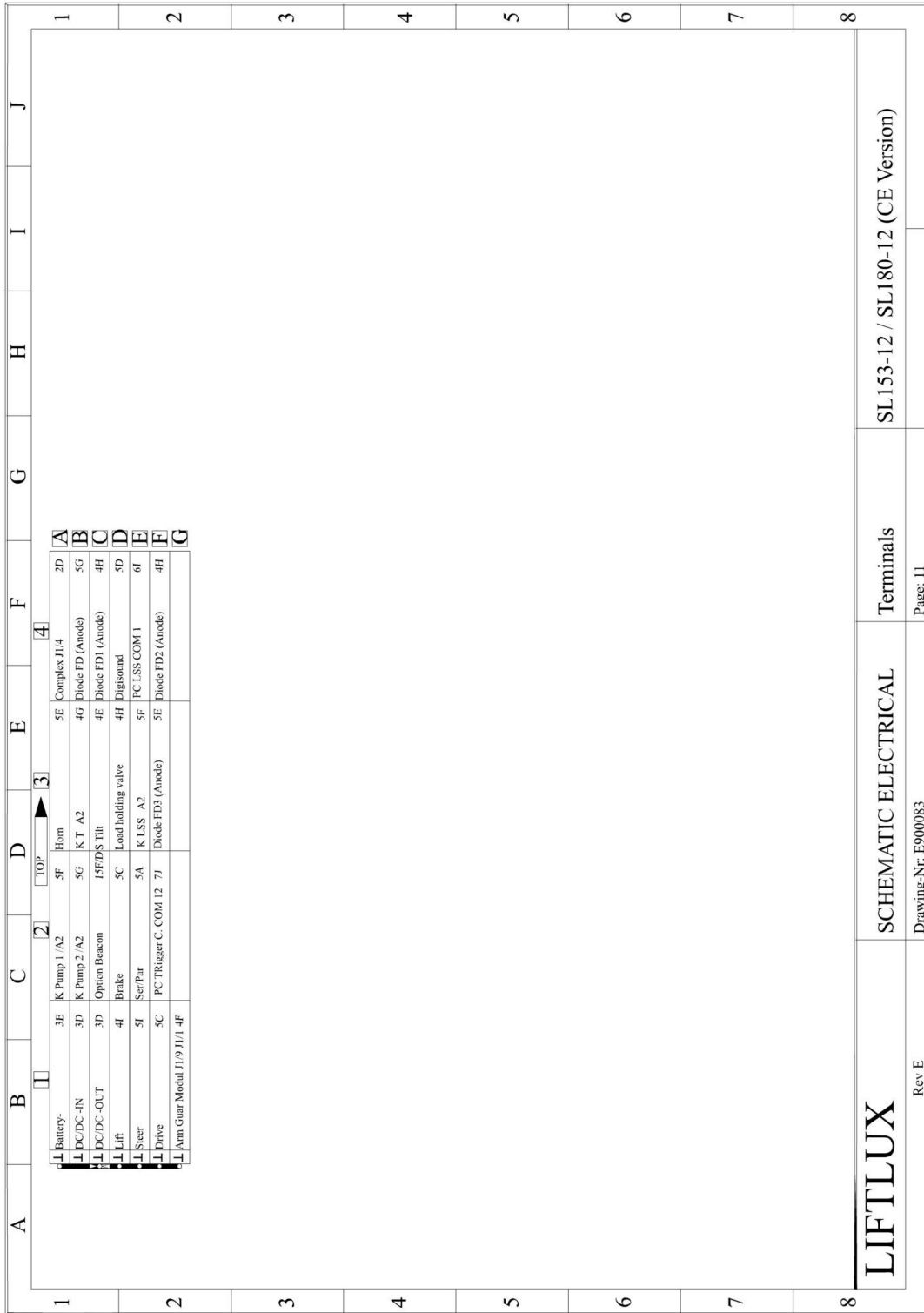
Terminals

SL153-12 / SL180-12 (CE Version)

Drawing-Nr: E900083

Page: 10

# SECTION 7 - ELECTRICAL



**LIFTLUX**

Rev E

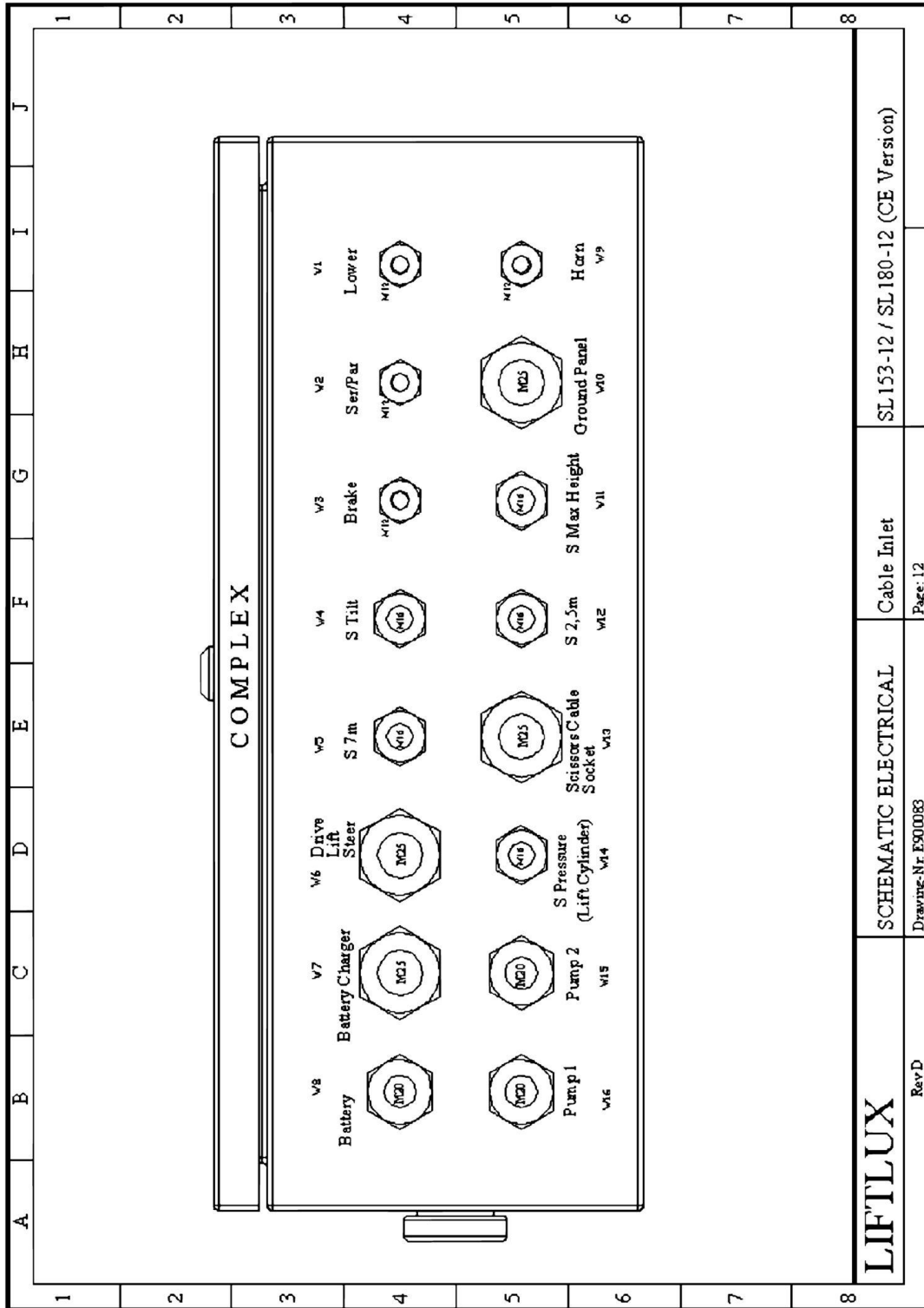
SCHEMATIC ELECTRICAL

Terminals

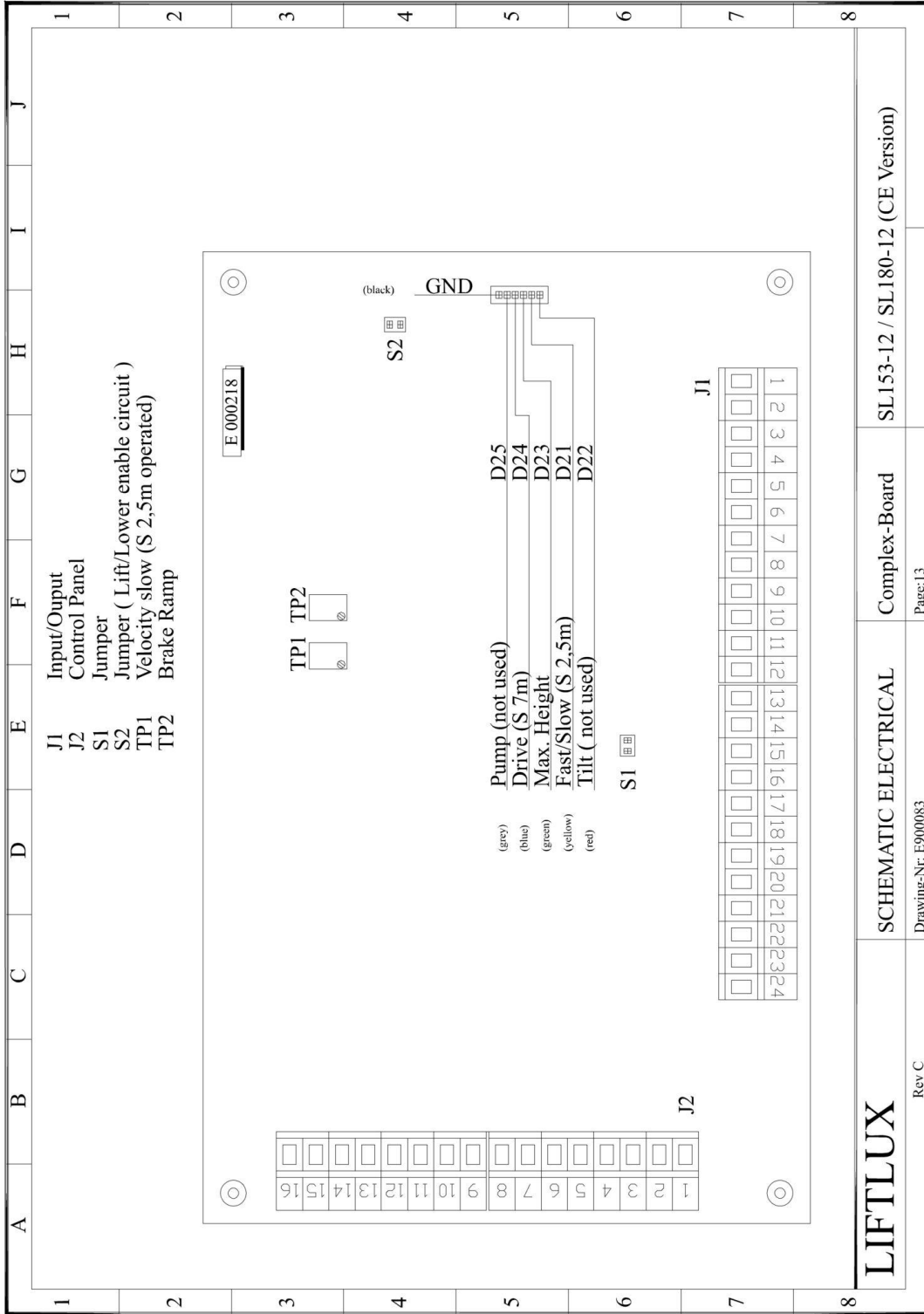
SL153-12 / SL180-12 (CE Version)

Page: 11

Drawing-Nr: E900083



# SECTION 7 - ELECTRICAL



**LIFTLUX**

SCHEMATIC ELECTRICAL

Complex-Board

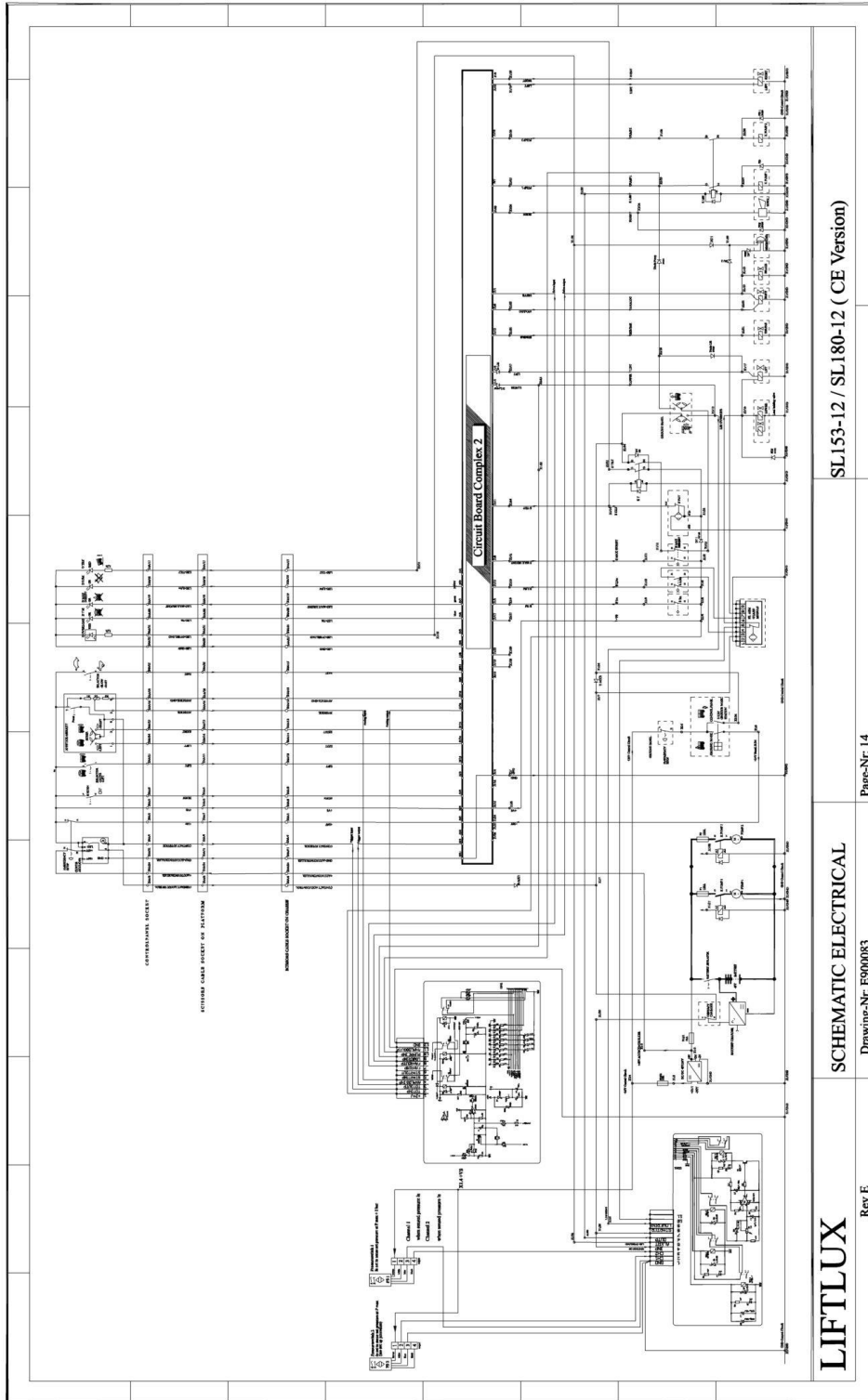
SL153-12 / SL180-12 (CE Version)

Rev C

Drawing-Nr: E900083

Page:13

# SECTION 7 - ELECTRICAL



SL153-12 / SL180-12 ( CE Version)

SCHEMATIC ELECTRICAL

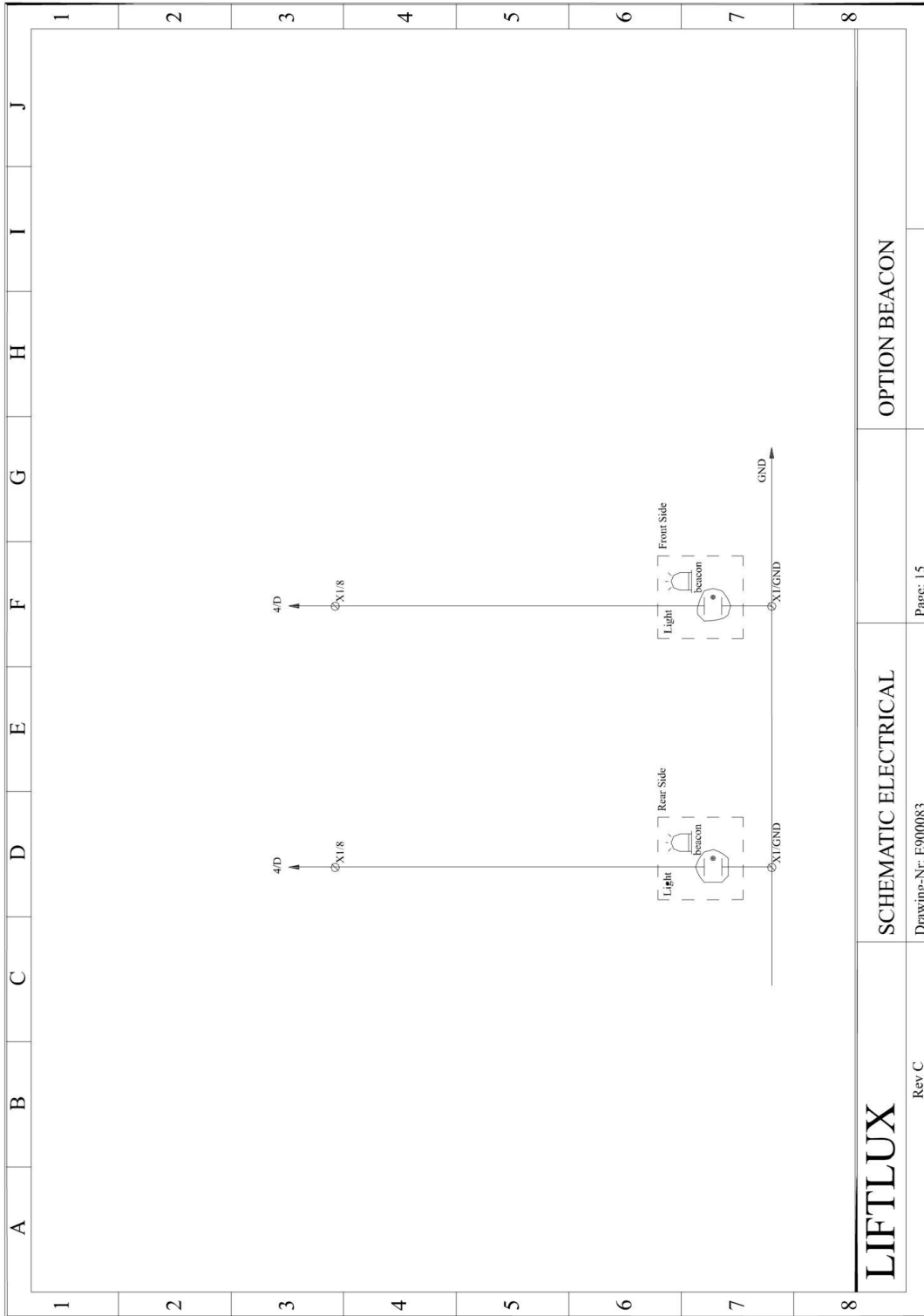
LIFTLUX

Page-Nr: 14

Drawing-Nr: E900083

Rev E

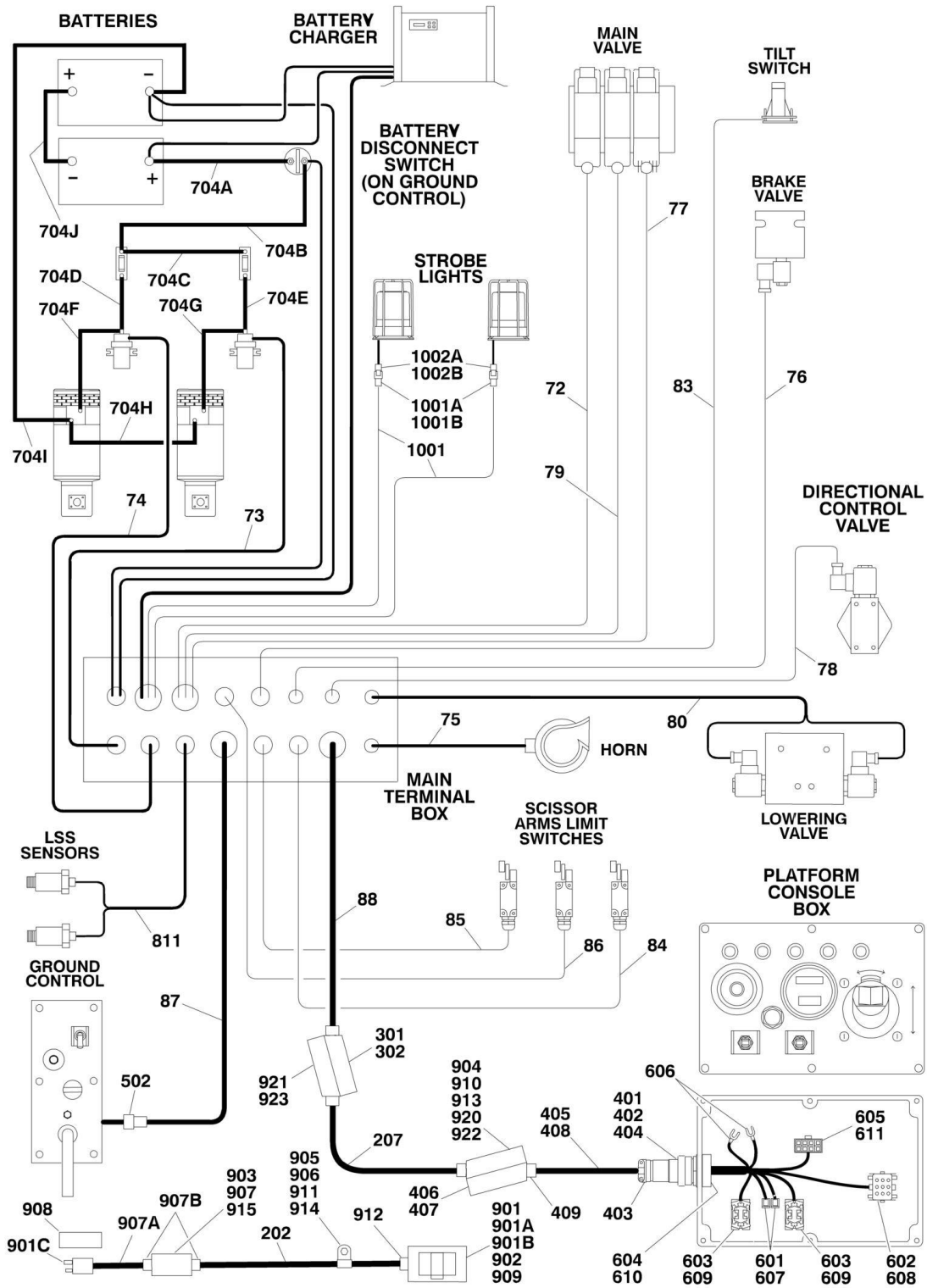
# SECTION 7 - ELECTRICAL





# SECTION 7 - ELECTRICAL

## FIGURE 7-2. HARNESS COMPONENTS INSTALLATION





## SECTION 7 - ELECTRICAL

### FIGURE 7-2. HARNESS COMPONENTS INSTALLATION

ITEM	PART NUMBER	QTY	DESCRIPTION	REV
	1001092299	Ref	<b>MAIN TERMINAL BOX HARNESS KIT INSTALLATION</b>	E
72	70001743	1	Harness, Steer Valve	
73	70001744	1	Harness, Pump #2 Contactor	
74	70001745	1	Harness, Pump #1 Contactor	
75	70001746	1	Harness, Horn	
76	70001747	1	Harness, Brake Valve	
77	70001748	1	Harness, Drive Valve	
78	70001749	1	Harness, Directional Control Valve	
79	70001750	1	Harness, Lift Valve	
80	70001751	1	Harness, Lowering Valve	
83	70001752	1	Harness, Tilt Switch	
84	70001753	1	Harness, Max Height Limit Switch	
85	70001754	1	Harness, 2.5M Limit Switch	
86	70001755	1	Harness, 7M Limit Switch	
87	70001756	1	Harness, Ground Control Panel	
88	70001757	1	Harness, Remote Control Box Connector	
		Ref	<b>SCISSORS ARMS AND CABLES INSTALLATION</b>	
	0275826	Ref	<b>Scissors Arms and Cables Installation 153-12</b>	B
	0275830	Ref	<b>Scissors Arms and Cables Installation 180-12</b>	B
202	1060663	Ref	Cable, Electrical 12/3	
202	1060663	29 m/96ft	Cable, Electrical 12/3, 153-12	
202	1060663	34 m/112ft	Cable, Electrical 12/3, 180-12	
207	E000083	Ref	Cable, Electrical (25 Wire)	
207	E000083	29 m/96ft	Cable, Electrical (25 Wire) 153-12	
207	E000083	34 m/112ft	Cable, Electrical (25 Wire) 180-12	
	1001091486	Ref	<b>MAIN TERMINAL BOX ASSEMBLY</b>	C
301	E000102	1	Housing, Connector - Female 24 Pin	
302	E000481	1	Insert, Connector - Female 24 Pin	
	E900042	Ref	<b>PLATFORM CONSOLE JUMPER HARNESS</b>	E
401	4460465	24	Socket, Female	
402	4460468	1	Cap, Dust	
403	4460492	1	Clamp, Cable	
404	4460502	1	Connector - 31 Position (Included with Harness)	
404	4461288	1	Connector - 33 Position (Not included in Harness - must be purchased separately)	
405	E000083	6 m/20ft	Cable, Electrical (25 Wire)	
406	E000108	1	Housing, Connector - Male 24 Pin (was p/n E000103)	
407	E000482	1	Insert, Connector - Male 24 Pin	
408	E900043	6 m/20ft	Loom, Wire	
409	E900045	1	Relief, Strain	
	E900076	Ref	<b>GROUND CONTROL PANEL HARNESS</b>	B
501	4460418	4	Connector, Female - 6 Position (Attaches to Toggle Switch - Not Shown)	
501	4460419	4	Terminal, Female (Not Shown)	
502	4460462	1	Receptacle, Female - 23 Position	
502	4460465	8	Terminal, Female	
	E900082	Ref	<b>PLATFORM CONSOLE BOX HARNESS</b>	B
601	4460260	2	Terminal, Locking Female	

## SECTION 7 - ELECTRICAL

ITEM	PART NUMBER	QTY	DESCRIPTION	REV
602	4460266	1	Connector, female - 9 Position	
603	4460418	2	Connector - 6 Position	
604	4461287	1	Connector - 33 Position (Included with Harness)	
604	4460503	1	Connector - 31 Position (Not included in Harness - must be purchased separately)	
605	4461041	1	Connector - 8 Position	
606	4460183	4	Terminal, Connector	
607	4460259	2	Connector, Female - 1 Positon Locking	
608	4460267	8	Pin, Male	
609	4460419	6	Socket, Female	
610	4460464	19	Pin, Male	
611	4461023	6	Socket, Female (Gold Plated)	
	0275843	Ref	<b>BATTERY CABLES INSTALLATION</b>	D
704	2902560	1	Battery Cable Kit	
704A	70001766	1	Battery Cable (Battery Positive to Battery Disconnect Switch)	
704A	Not Available	1	Boot, Square Terminal (Red) (Not Shown)	
704A	Not Available	1	Boot, Terminal (Red) (Not Shown)	
704B	70001767	1	Battery Cable (Battery Disconnect Switch to Pump #1 Fuse)	
704B	Not Available	2	Boot, Terminal (Red) (Not Shown)	
704C	70001768	1	Battery Cable (Pump #1 Fuse to Pump #2 Fuse)	
704C	Not Available	2	Boot, Terminal (Red) (Not Shown)	
704D	70001769	1	Battery Cable (Pump #1 Fuse to Pump #1 Contactor)	
704D	Not Available	2	Boot, Terminal (Red) (Not Shown)	
704E	70001770	1	Battery Cable (Pump #2 Fuse to Pump #2 Contactor)	
704E	Not Available	2	Boot, Terminal (Red) (Not Shown)	
704F	70001771	1	Battery Cable (Pump #1 Contactor to Pump #1 Motor Positive)	
704F	Not Available	2	Boot, Terminal (Red) (Not Shown)	
704G	70001772	1	Battery Cable (Pump #2 Contactor to Pump #2 Motor Positive)	
704G	Not Available	2	Boot, Terminal (Red) (Not Shown)	
704H	70001773	1	Battery Cable (Pump #1 Motor Negative to Pump #2 Motor Negative)	
704H	Not Available	2	Boot, Terminal (Black) (Not Shown)	
704I	70001774	1	Battery Cable (Pump #1 Motor Negative to Battery Negative)	
704I	Not Available	1	Boot, Square Terminal (Black) (Not Shown)	
704I	Not Available	1	Boot, Terminal (Black) (Not Shown)	
704J	70001775	1	Battery Cable (Battery Positive to Battery Negative)	
704J	Not Available	2	Boot, Square Terminal (Black) (Not Shown)	
711	E000072	6 m/19.7ft	Loom, Wire (Not Shown)	
	0275780	Ref	<b>LIFT CYLINDER AND VALVES INSTALLATION</b>	C
811	H705723	2	Harness, LSS Pressure Sensor	
		Ref	<b>RECEPTACLES INSTALLATION</b>	
	1001091860	Ref	<b>220V Locally Supplied Components</b>	C
	1001111235	Ref	<b>220V CEE7 Post Ground with 2x4 Box</b>	A
	1001111236	Ref	<b>220V CEE7 Side Ground with 2x4 Box</b>	A
	1001111237	Ref	<b>220V AFSINT 107 Keyed Ground with 2x4 Box</b>	A
	1001111238	Ref	<b>120V IEC 60309 Yellow</b>	A
	1001111239	Ref	<b>220V IEC 60309 Blue</b>	A
	1001111240	Ref	<b>220V CEE7 Post Ground with 70mm x 70mm Box</b>	A
	1001111241	Ref	<b>220V CEE7 Side Ground with 70mm x 70mm Box</b>	A
901		Ref	Receptacle Kit (Includes Box, Receptacle and Plug)	
901	Not Available		1001091860 Installation	
901	0275452	1	1001111235 Installation	

## SECTION 7 - ELECTRICAL

ITEM	PART NUMBER	QTY	DESCRIPTION	REV
901	0275453	1	1001111236 Installation	
901	0275454	1	1001111237 Installation	
901	0275216	1	1001111238 Installation	
901	0275217	1	1001111239 Installation	
901	1001100343	1	1001111240 Installation (was p/n 0275218)	
901	1001100344	1	1001111241 Installation (was p/n 0275219)	
901A		Ref	Box Options:	
901A	Not Available		1001091860 Installation (Purchase Locally)	
901A	0861731	1	1001111235, 1001111236 & 1001111237 Installations	
901A	0861781	1	1001111238 & 1001111239 Installations	
901A	See Note	1	1001111240 & 1001111241 Installations (Note: Was p/n 0861782 which is no longer available. Use p/n 1001100344 CEE 7 Side Ground Service Kit or p/n 1001100343 CEE 7 Post Ground Service Kit. Kit include Box p/n 1001141967 & items 901B & 901C.)	
901A	1001141967	1	1001100343, 1001100344, 1001141970 & 1001141971 Kits	
901B		Ref	Receptacle Options (Includes Box Cover):	
901B	Not Available		1001091860 Installation (Purchase Locally)	
901B	4461244	1	1001111235 Installation	
901B	4461245	1	1001111236 Installation	
901B	4461246	1	1001111237 Installation	
901B	4461198	1	1001111238 Installation	
901B	4461201	1	1001111239 Installation	
901B	1001100343	1	1001111240 Installation (was p/n 4461204)	
901B	1001100344	1	1001111241 Installation (was p/n 4461207)	
901B	1001141968	1	1001100343 & 1001141971 Kits	
901B	1001141969	1	1001100344 & 1001141970 Kits	
901C		Ref	Plug, Male Options:	
901C	Not Available		1001091860 Installation (Purchase Locally)	
901C	4461202	1	1001111235 Installation and 1001100343 & 1001141971 Kits	
901C	4461205	1	1001111236 Installation and 1001100344 & 1001141970 Kits	
901C	4461249	1	1001111237 Installation	
901C	4461196	1	1001111238 Installation	
901C	4461199	1	1001111239 Installation	
901C	4461202	1	1001111240 Installation	
901C	4461205	1	1001111241 Installation	
902	0760408	4	Bolt M4 x 16mm	
903	0760410	2	Bolt M4 x 20mm	
904	0760508	4	Bolt M5 x 16mm	
905	0760610	2	Bolt M6 x 20mm	
906	1320043	2	Clamp, Cable	
907	2902541	1	Circuit Breaker Kit (All Installations except 1001091860 Installation)	E
907	1001109475	1	Breaker, Circuit 16Amp	
907	1001109482	1	Breaker, Circuit 30mAmp	
907	0861880	1	Box, Breaker	
907	4460956	1	Barrier, Terminal End	
907	4460957	1	Block, Terminal	
907A	1060908	1.4 m	Cable, Electrical - 12/3	
907B	1001097150	2	Connector, Strain Relief	
908		Ref	Decal - AC Power to Platform Options:	E

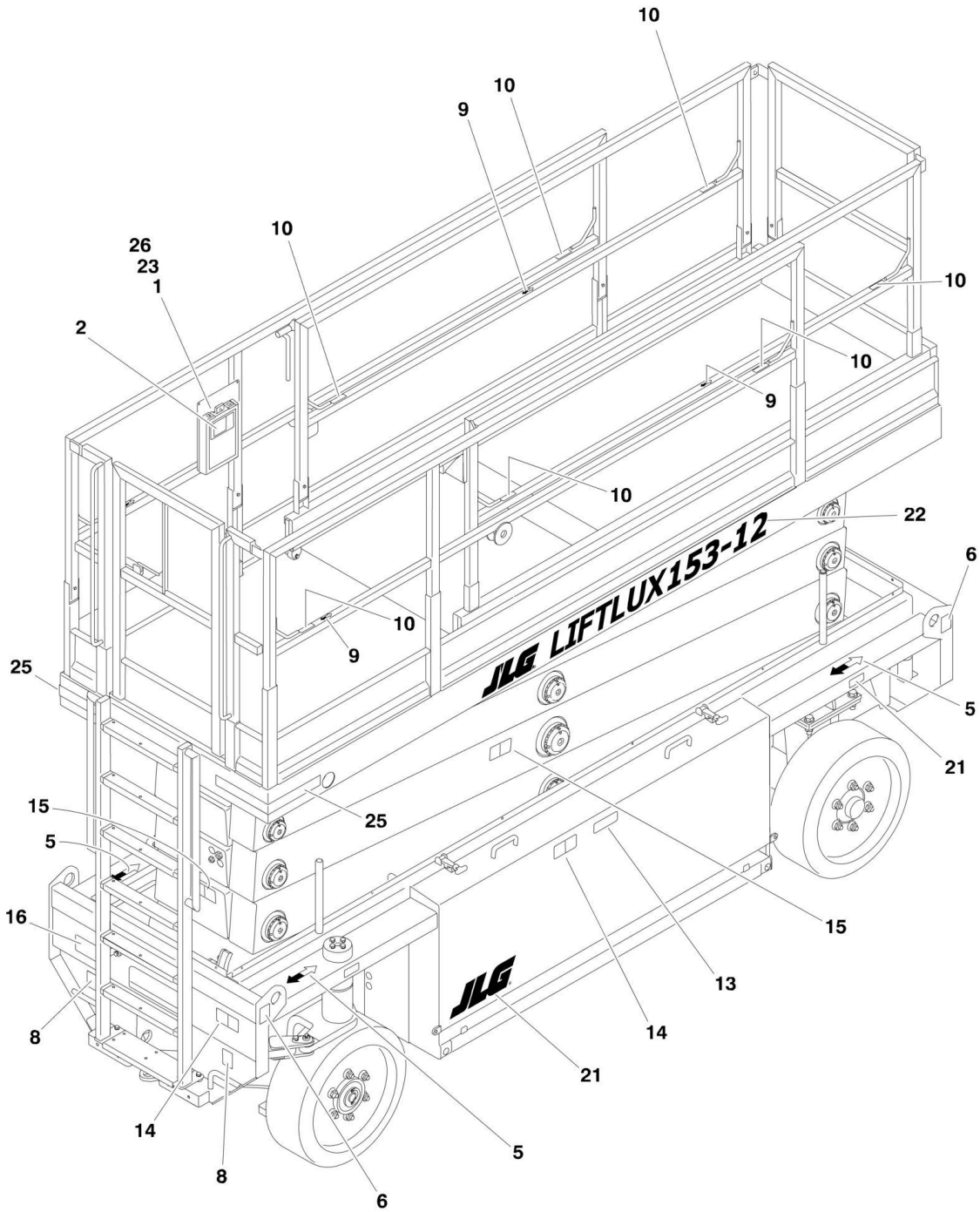
## SECTION 7 - ELECTRICAL

ITEM	PART NUMBER	QTY	DESCRIPTION	REV
908	3252507	1	220V - 50/60HZ	
908	1703464	1	120V - 60Hz	
909	3290405	4	Locknut M4	
910	3290505	4	Locknut M5	
911	3290605	2	Locknut M6	
912		Ref	Connector, Strain Relief Options:	
912	Not Available		Purchase Locally (1001091860 Installation)	
912	4460662	1	Straight Connector (1001111235, 1001111236 & 1001111237 Installations)	
912	4461257	1	90 Connector (1001111238, 1001111239, 1001111240 & 1001111241 Installations)	
912	4461258	1	Adapter (1001111238, 1001111239, 1001111240 & 1001111241 Installations Only)	
913	4811600	8	Flatwasher M5	
914	4811700	4	Flatwasher M6	
915	1001091102	4	Flatwasher M4	
916	1001097369	1	Nut, PG16 Strain Relief (Not Shown)	
917	1001097370	1	Nut, PG21 Strain Relief (Not Shown)	
918	E000016	1	Relief, PG16 Strain (Not Shown)	
919	E000045	1	Relief, PG21 Strain (Not Shown)	
920	E000102	1	Connector Housing, Female 24-Pin	
921	E000103	1	Connector Housing, Male 24-Pin	
922	E000481	1	Connector Insert, Female 24-Pin	
923	E000482	1	Connector Insert, Male 24-Pin	
		Ref	<b>OPTIONAL HARNESS COMPONENTS</b>	
1001		Ref	Harness Assembly, Beacon	
1001	1001099141	1	Front	
1001	1001099142	1	Rear	
1001A	4460897	2	Connector, Female - 2 Position (1 per Harness)	
1001B	4460464	4	Pin, Male (2 per Harness)	
1002		Ref	Lamp Components, Beacon	
1002A	4460891	2	Connector, Male - 2 Position	
1002B	4460465	4	Socket, Female (2 per Lamp)	

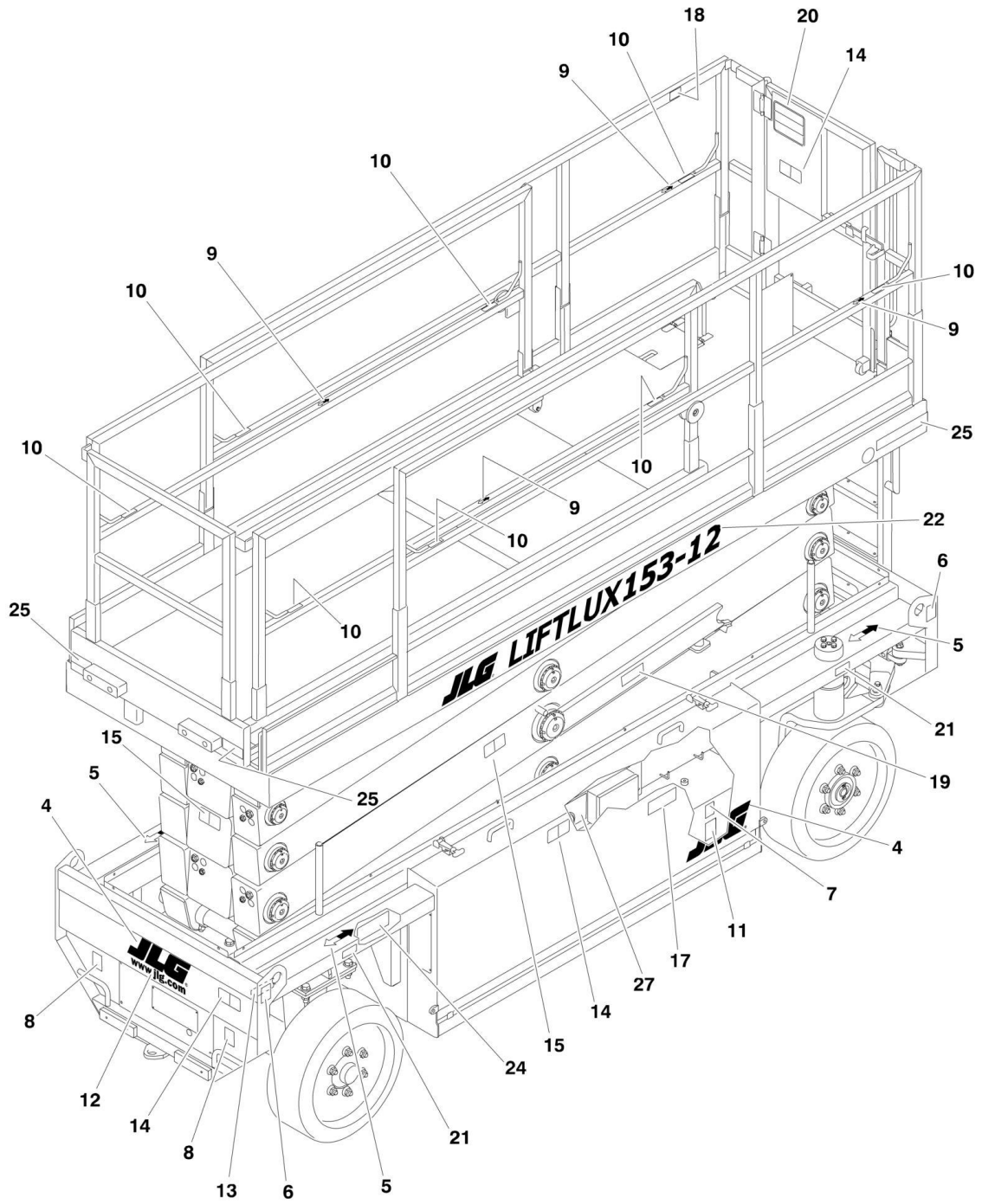
**SECTION 8 - DECALS**

# SECTION 8 - DECALS

## FIGURE 8-1. DECAL INSTALLATION



# SECTION 8 - DECALS



## SECTION 8 - DECALS

FIGURE 8-1. DECAL INSTALLATION

ITEM	PART NUMBER	QTY	DESCRIPTION	REV
		Ref	<b>DECAL INSTALLATION</b>	
	1001091548	Ref	<b>Decal Installation 153-12</b>	B
	1001091549	Ref	<b>Decal Installation 180-12</b>	C
1	1060279	1	Lanyard	
2	1701640	1	Decal, Manual	
3	1701644	1	Decal, Battery Charger	
4	1702773	3	Decal, JLG	
5	1703687	4	Decal, Direction Arrow	
6	1703811	4	Decal, Lifting Lug	
7	1703812	1	Decal, Hydraulic Oil	
8	1703814	4	Decal, Tie Down	
9	1703819	4	Decal, Direction Arrow	
10	1704277	8	Decal, Lanyard Attach	
11	1704412	1	Decal, Hydraulic Oil	
12	1704885	1	Decal, Website	
13	1705670	2	Decal, Fire Hazard	
14	1705671	5	Decal, Electrocution	
15	1705673	4	Decal, Crushing	
16	1706472	1	Decal, Fall Hazard	
17	1706482	1	Decal, Manual Descent Inside	
18	1706485	1	Decal, Control Box Location	
19	1706487	1	Decal, Safety Prop	
20	1706583	1	Decal, Capacity	
21		Ref	Decal, Wheel Load Options:	
21	1706585	4	Decal, Wheel Load 153-12	
21	1706589	4	Decal, Wheel Load 180-12	
22		Ref	Decal, Model Options:	
22	1706586	2	Decal, Model 153-12 Liftlux	
22	1706590	2	Decal, Model 180-12 Liftlux	
23	2080040	4	Fastener, Huck	
24	Not Available	1	Nameplate, Serial Number	
25	4420051	1.5 m/5 ft	Tape, Safety	
26	8990147	1	Box, Manual Storage	
26	70003486	2	Clip	
27		Ref	Decal, Manual Descent Options:	
27	1001091349	1	Decal, Manual Descent <b>(SN 1200020463 through 1200020967)</b>	
27	1001103746	1	Decal, Manual Descent <b>(SN 1200020968 to Present)</b>	



## **SECTION 9 - RECOMMENDED SERVICE PARTS STOCK**

## **SECTION 9 - RECOMMENDED SERVICE PARTS STOCK**

## SECTION 9 - RECOMMENDED SERVICE PARTS STOCK

FIGURE 9-1. MODELS LIFTLUX 153-12 AND LIFTLUX 180-12 STANDARD PARTS

ITEM	PART NUMBER	QTY	DESCRIPTION	REV
	Note	Ref	<b>Note: The following list will service one machine (built to current production per date on the front cover) with emergency repair parts which can be installed in the field. Parts from the list should be replaced when inventory is depleted to keep service parts stock supplied. For further information, contact your JLG dealer or the JLG Industries Parts Department.</b>	
		Ref	<b>STANDARD PARTS</b>	
	7012986	1	Coil	
	70000450	1	Coil	
	70001360	4	Element, Pressure Filter	
	H000241	1	Breather, Hydraulic	
	4360314	1	Switch, Toggle	
	4360469	1	Switch, Key	
	2860030	1	Key, Replacement	
	4360475	1	Switch, Emergency Stop	
	7020176	1	Block, Contact	
	E000059	1	Switch, Battery Disconnect	
	E000060	1	Fuse, 125A	
	E000062	1	Contactor, DC	
	E000044	1	Switch, Tilt (153-12)	
	E000129	1	Switch, Tilt (180-12)	
	1001092406	2	Fuse, 10A	
	S200238	1	Latch, Gate	
	4360329	1	Switch, Toggle	
	4360387	1	Switch, Push Button	
	E900025	1	Joystick	
	H705722	1	Sensor, Pressure	



## SECTION 9 - RECOMMENDED SERVICE PARTS STOCK

FIGURE 9-2. MODELS LIFTLUX 153-12 AND LIFTLUX 180-12 VARIABLE PARTS

ITEM	PART NUMBER	QTY	DESCRIPTION	REV
	Note	Ref	<b>Note: The following list will service one machine (built to current production per date on the front cover) with emergency repair parts which can be installed in the field. Parts from the list should be replaced when inventory is depleted to keep service parts stock supplied. For further information, contact your JLG dealer or the JLG Industries Parts Department.</b>	
		Ref	<b>VARIABLE PARTS</b>	
	70001010	2	Fuse, 80A Secondary	
	70001012	2	Fuse, 63A Secondary	
	70001013	2	Fuse, 35A Front	
	E000078	1	Converter, AC/DC	
	1001112938	1	Card, Complex Control	
	1001094641	1	Module, Load Sensing and Time Override	
	1001094642	1	Card, Trigger Control	
	E000376	1	Switch, Limit	
	1001103644	1	Switch, Limit	

**SECTION 10 - SPECIAL OPTIONS**

## SECTION 10 - SPECIAL OPTIONS

FIGURE 10-1. SPECIAL OPTIONS

ITEM	PART NUMBER	QTY	DESCRIPTION	REV
		Ref	<b>MISCELLANEOUS SPECIAL OPTIONS</b>	
	Note	Ref	<b>Note: This list is to accomodate machines ordered with special equipment. Options may not be applicable to all models. For more specific parts information contact JLG Parts Department.</b>	
	1001099214	Ref	<b>Beacon Light Installation</b>	
		Ref	<b>Tools For Service:</b>	
	7002828	1	Stripper, Wire	
	7002821	1	Crimper, Wire (To Install Wire Ends to Wires)	
	7002823	1	Extractor, Pin/Socket - Universal (For Most Connectors)	
	4460467	1	Extractor - 16-18 Gauge (For Deutsch Connectors)	
	4460510	1	Extractor - 12-14 Gauge (For Deutsch Connectors)	
	7002822	1	Screwdriver, Potentiometer (To Adjust Drive Controller)	
	7016654	1	Screwdriver, Magnetic	
	7004275	1	Installer, Seal - 1in	
	7004276	1	Installer, Seal - 1 1/2in	
	7002826	1	Installer, Seal - 2in	
		Ref	<b>Fluids</b>	
	3020008	AR	Oil, Mobilube HD 80W-90	
	2300014	AR	Oil, Hydraulic MobilFluid 424	
	2300029	AR	Oil, Hydraulic Mobil EAL Envirosyn H46	

**PART NUMBER INDEX**

## SECTION 10 - SPECIAL OPTIONS

0100019.....	9	0761018.....	21	1060663.....	85	2143903.....	64
0140011.....	33	0761020.....	21	1060908.....	87	2144105.....	64
0181847.....	53	0761210.....	9	1062255.....	26, 42	2160016.9, 41, 42, 45, 50	
0275216.....	87	0761214.....	9	1320043.....	87	2221222.....	57, 65
0275217.....	87	0761215.....	13	1701640.....	92	2300014.....	98
0275452.....	86	0761216.....	41	1701644.....	92	2300029.....	98
0275453.....	87	0762015.....	41	1702773.....	92	2560141.....	53
0275454.....	87	0771620.....	13	1703464.....	88	2600281.....	51
0275780.....	57, 86	0771621.....	13	1703687.....	92	2754350.....	65
0275800.....	45	0861731.....	87	1703811.....	92	2754384.....	65
0275801.....	50	0861781.....	87	1703812.....	92	2754515.....	65
0275802.....	50	0861880.....	87	1703814.....	92	2754517.....	65
0275820.....	11	0893076.....	29	1703819.....	92	2754518.....	65
0275821.....	9	1001091102.....	88	1704277.....	92	2754519.....	65
0275826.....	42, 85	1001091345.....	26	1704412.....	92	2754520.....	65
0275827.....	41	1001091349.....	92	1704885.....	92	2754521.....	65
0275829.....	41	1001091486.....	27, 33, 85	1705670.....	92	2754522.....	65
0275830.....	42, 85	1001091518.....	21	1705671.....	92	2754523.....	65
0275833.....	13	1001091519.....	21	1705673.....	92	2754524.....	65
0275834.....	21	1001091548.....	92	1706472.....	92	2754527.....	65
0275837.....	13	1001091549.....	92	1706482.....	92	2754528.....	65
0275839.....	21, 35	1001091860.....	86	1706485.....	92	2754531.....	65
0275841.....	27	1001092113.....	26	1706487.....	92	2754533.....	65
0275843.....	26, 86	1001092114.....	25, 26	1706583.....	92	2754534.....	65
0275844.....	25	1001092299.....	33, 85	1706585.....	92	2754535.....	65
0275848.....	53	1001092405.....	33	1706586.....	92	2754536.....	65
0307544.....	29	1001092406.....	33, 94	1706589.....	92	2754537.....	65
0318854.....	29	1001092768.....	33	1706590.....	92	2754538.....	65
0610126.....	33	1001093353.....	33	2080040.....	51, 92	2754539.....	65
0700518.....	35	1001093354.....	33	2140803.....	64	2754540.....	65
0700617.....	25	1001093355.....	33	2141503.....	64	2754541.....	65
0700619.....	51	1001093361.....	33	2141504.....	64	2754542.....	65
0700812.....	42	1001093379.....	33	2142102.....	64	2754543.....	65
0700817.....	25	1001094641.....	33, 96	2142202.....	64	2754544.....	65
0700820.....	26	1001094642.....	33, 96	2142203.....	64	2754546.....	65
0701017.....	50	1001096366.....	53	2142204.....	64	2755100.....	65
0701024.....	50, 51	1001096367.....	53	2142205.....	64	2755101.....	65
0701217.....	41	1001097150.....	87	2142206.....	64	2755102.....	65
0701224.....	51	1001097369.....	88	2142706.....	64	2860030.....	26, 94
0701229.....	45	1001097370.....	88	2142708.....	64	2902541.....	87
0701230.....	9	1001099141.....	88	2142709.....	64	2902560.....	86
0701627.....	9	1001099142.....	88	2142710.....	64	3020008.....	98
0701629.....	41	1001099214.....	98	2142711.....	64	320066.....	25
0712022.....	11	1001100343.....	87	2142712.....	64	3252507.....	88
0760408.....	87	1001100344.....	87	2142713.....	64	3290405.....	88
0760410.....	87	1001101874.....	51	2142715.....	64	3290505.....	21, 35, 88
0760508.....	21, 87	1001101875.....	51	2142716.....	64	3290605.....	21, 25, 26, 50, 88
0760516.....	57	1001101876.....	51	2142717.....	64	3290805.....	26, 41, 50, 53
0760605.....	26, 41, 50	1001103161.....	51	2142743.....	64	3291005.....	21, 25, 41, 45, 50, 51
0760606.....	35	1001103508.....	26	2142757.....	64	3291205.....	9, 41, 50
0760608.....	21, 26	1001103644.....	41, 96	2142804.....	64	3331215.....	9
0760610.....	26, 87	1001103746.....	92	2142806.....	64	3332011.....	11
0760612.....	51	1001109475.....	87	2143404.....	64	3440816.....	41
0760614.....	25, 50	1001109482.....	87	2143405.....	64	3460515.....	65
0760615.....	50	1001111235.....	86	2143406.....	64	3760491.....	50
0760805.....	50	1001111236.....	86	2143510.....	64	3760518.....	50
0760807.....	21	1001111237.....	86	2143513.....	64	3820408.....	35
0760810.....	25, 26	1001111238.....	86	2143514.....	64	3820510.....	21
0760815.....	53	1001111239.....	86	2143516.....	64	3900376.....	50
0760819.....	50	1001111240.....	86	2143602.....	64	4010414.....	53
0761007.....	45	1001111241.....	86	2143603.....	64	4031509.....	26
0761010.....	21, 26, 45	1001112938.....	33, 96	2143605.....	64	4031605.....	26
0761011.....	25	1001141967.....	87	2143606.....	64	4031612.....	41
0761012.....	25	1001141968.....	87	2143703.....	64	4031614.....	25
0761014.....	25, 41	1001141969.....	87	2143705.....	64		
0761015.....	41	1003107.....	29	2143801.....	64		
0761016.....	25	1060279.....	92	2143807.....	64		



## SECTION 10 - SPECIAL OPTIONS

4031709.....	42, 53	4831700 ...	26, 35, 41, 50,	70000537.....	31	7002828.....	98
4031714.....	57	51		70000538.....	31	7004275.....	98
4031908.....	41	4831900 ....	21, 25, 42, 51	70000539.....	31	7004276.....	98
4031913.....	57	4832000 ...	21, 25, 26, 41,	70000540.....	31	7010543.....	25
4032007.....	25	45		70000541.....	31	7012941.....	25
4032011.....	45	4832100 .....	9, 13, 41, 51	70000542.....	31	7012955.....	57
4032310.....	27	4832300 .....	27	70000543.....	31	7012986.....	25, 57, 94
4032316.....	27	4832500 .....	41	70000595.....	25	7012998.....	57
4060802.....	26, 53	5241600 .....	13	70000596.....	25	7016654.....	98
4360314.....	26, 94	5242000 .....	11	70000597.....	25	7020127.....	15
4360329.....	53, 94	70000185.....	57	70000598.....	25	7020128.....	15
4360387.....	53, 94	70000186.....	57	70000599.....	25	7020129.....	15
4360469.....	26, 94	70000187.....	57	70000749.....	59	7020175.....	26, 53
4360475.....	26, 53, 94	70000188.....	57	70000750.....	59	7020176.....	26, 53, 94
4360476.....	53	70000189.....	57	70000751.....	59	7027861.....	15
4420051.....	92	70000239.....	17	70000755.....	59	7027912.....	29
4460183.....	86	70000240.....	17	70000756.....	59	7027938.....	15
4460259.....	86	70000241.....	17	70000757.....	59	7027939.....	15
4460260.....	85	70000242.....	17	70000758.....	59	7027940.....	15
4460266.....	86	70000243.....	17	70000952.....	33	7027961.....	27
4460267.....	86	70000244.....	17	70000953.....	33	7028846.....	29
4460418.....	85, 86	70000245.....	17	70000954.....	33	7028847.....	29
4460419.....	85, 86	70000246.....	17	70000955.....	33	7028848.....	29
4460462.....	85	70000247.....	17	70000956.....	33	7028849.....	29
4460464.....	86, 88	70000248.....	17	70001009.....	21	7028893.....	29
4460465.....	85, 88	70000249.....	17	70001010.....	21, 96	8007894.....	29
4460467.....	98	70000250.....	17	70001011.....	21	8007915.....	29
4460468.....	85	70000251.....	17	70001012.....	21, 96	8007935.....	29
4460470.....	53	70000252.....	17	70001013.....	21, 96	8007939.....	29
4460471.....	53	70000253.....	17	70001014.....	21	8007944.....	29
4460492.....	85	70000254.....	17	70001015.....	21	8007945.....	29
4460502.....	85	70000255.....	17	70001016.....	21	8007953.....	29
4460503.....	86	70000256.....	17	70001114.....	26	8007954.....	29
4460510.....	98	70000257.....	17	70001359.....	25	8303891.....	53
4460662.....	88	70000258.....	17	70001360.....	25, 94	8990147.....	92
4460891.....	88	70000259.....	17	70001743.....	85	DL0113.....	26
4460897.....	88	70000260.....	17	70001744.....	85	E000016.....	42, 88
4460956.....	87	70000261.....	17	70001745.....	85	E000044.....	27, 94
4460957.....	87	70000440.....	25	70001746.....	85	E000045.....	26, 42, 88
4461023.....	86	70000442.....	25	70001747.....	85	E000059.....	26, 94
4461041.....	86	70000443.....	25	70001748.....	85	E000060.....	27, 94
4461196.....	87	70000449.....	25	70001749.....	85	E000061.....	27
4461198.....	87	70000450.....	25, 94	70001750.....	85	E000062.....	27, 94
4461199.....	87	70000513.....	31	70001751.....	85	E000063.....	27
4461201.....	87	70000514.....	31	70001752.....	85	E000072.....	86
4461202.....	87	70000515.....	31	70001753.....	85	E000078.....	33, 96
4461205.....	87	70000516.....	31	70001754.....	85	E000083.....	85
4461244.....	87	70000517.....	31	70001755.....	85	E000102.....	85, 88
4461245.....	87	70000518.....	31	70001756.....	85	E000103.....	88
4461246.....	87	70000519.....	31	70001757.....	85	E000108.....	85
4461249.....	87	70000520.....	31	70001766.....	86	E000129.....	27, 94
4461257.....	88	70000521.....	31	70001767.....	86	E000218.....	33
4461258.....	88	70000522.....	31	70001768.....	86	E000269.....	41
4461287.....	86	70000523.....	31	70001769.....	86	E000302.....	42
4461288.....	85	70000524.....	31	70001770.....	86	E000371.....	27
4740120.....	53	70000525.....	31	70001771.....	86	E000376.....	41, 96
4811600 ....	21, 25, 35, 88	70000526.....	31	70001772.....	86	E000419.....	53
4811700 ...	21, 25, 26, 51,	70000527.....	31	70001773.....	86	E000420.....	53
88		70000528.....	31	70001774.....	86	E000481.....	85, 88
4811900 ....	26, 41, 50, 53	70000529.....	31	70001775.....	86	E000482.....	85, 88
4811902.....	53	70000530.....	31	70002703.....	17	E000504.....	53
4812000 ...	21, 25, 41, 45,	70000531.....	31	70003486.....	92	E000564.....	21
50, 51		70000532.....	31	70003616.....	33	E000600.....	21
4812100 .....	9, 41, 45, 51	70000533.....	31	7002821.....	98	E001375.....	33
4812300 .....	9, 41, 51	70000534.....	31	7002822.....	98	E001376.....	33
4831600 .....	26, 41	70000535.....	31	7002823.....	98	E900025.....	53, 94
		70000536.....	31	7002826.....	98	E900031.....	53

## SECTION 10 - SPECIAL OPTIONS

E900042	53, 85	H900015	9, 59	S005049	50	S200410-05	21
E900043	85	H900074	25	S006016	9	S200413	26
E900045	85	H900078	65	S006610	9	S200414	26
E900049	53	H900079	64	S006660	9	S200415	26
E900059	33	H900080	64	S006808	9	S200418	26
E900074	26	H900319	25	S007026	41	S200419	35
E900075	26	S000031	51	S007027	41	S200426	57
E900076	26, 85	S000055	21, 50	S007028	41	S200440	51
E900077	26	S000056	35	S007029	41	S200441	51
E900078	26	S000083	44	S007030	45	S200442	51
E900079	53	S000090	13	S007031	45	S200443	51
E900080	53	S000120	44	S007033	45	S200444	51
E900081	53	S000124	42	S007111	43	S200445	51
E900082	53, 85	S000139	45	S007112	43	S200449	50
H000013	26	S000140	45	S007113	43	S200450	51
H000015	64	S000142	9, 41, 45, 50	S007114	43	S200451	51
H000018	64	S000145	51	S007115	43	S200452	51
H000019	25	S000178	44	S007119	43	S200910	57
H000020	25	S000182	44	S009001	25	S201017	41
H000021	25	S000191	42	S200091	43	S900006	41
H000028	25, 29	S000192	42	S200092	43	S900017	50
H000071	57	S000193	42	S200134	41	S900019	41
H000112	29	S000233	42	S200151	43, 44	S900020	42
H000115	64	S000234	43	S200152	43, 44	S900047	50
H000148	64	S000237	50	S200153	43, 44	S900048	50
H000191	29	S000242	9	S200154	43, 44	S900049	50
H000193	13, 15	S000258	11	S200155	43, 44	S900050	50
H000205	29	S000259	11	S200156	43, 44	S900051	50
H000206	29	S000260	11	S200157	43, 44	S900131	9
H000207	29	S000261	11	S200158	43, 44	S900133	9
H000218	13, 17	S000262	11	S200159	43, 44	S900134	9
H000241	26, 94	S000439	50	S200160	43, 44	S900135	27
H000271	57	S000510	50, 51	S200161	43, 44	S900144	50
H000282	25	S001238	43	S200162	43, 44	S900145	50
H000285	25, 31	S001240	43	S200163	43, 44	S900146	50
H000312	64	S001241	43	S200164	43, 44	S900147	50
H000319	64	S001443	51	S200165	43, 44	S900148	50
H000351	64	S001445	50	S200166	44	S900149	50
H000371	42, 53	S001491	43	S200167	44	S900150	50
H000389	29	S001496	44, 45	S200168	44	S900155	50
H000430	42	S001551	9	S200169	44	S900175	42
H000524	64	S001594	41	S200173	45	S900185	21
H000530	57	S001676	35	S200174	45	S900186	45
H000542	29	S001802	43	S200175	41	S900216	51
H000580	29	S001803	43	S200176	41	S900217	51
H000684	57	S001804	43	S200182	57	S900218	11
H003084	57	S001805	43	S200184	57	S900223	42
H003090	57	S001806	43	S200185	57	S900240	44
H003109	57	S001807	43	S200230	51	S900275	50
H003113	57	S001808	43	S200231	51	S900313	43, 44
H005243	57	S001809	43	S200238	51, 94	S900314	43, 44
H005244	57	S001810	9, 41, 44, 45, 57	S200239	13	S900315	43, 44
H005247	29	S001811	9	S200403	9	S900316	43, 44
H005250	29	S001832	9	S200404	9	S900317	44
H705721	57	S003991	13, 18	S200405	11	S900321	51
H705722	57, 94	S004014	21	S200406	11	S900335	41
H705723	86	S004034	41	S200407	11	S900336	41
H705724	57	S004091	13	S200410	21		





An Oshkosh Corporation Company

*JLG Industries, Inc.*  
*1 JLG Drive*  
*McConnellsburg PA. 17233-9533*  
*USA*  
*Phone: +1-717-485-5161*  
*Customer Support Toll Free: 1-877-554-5438*  
*Fax: +1-717-485-6417*

## ***JLG Worldwide Locations***

---

JLG Industries (Australia)  
P.O. Box 5119  
11 Bolwarra Road  
Port Macquarie  
N.S.W. 2444  
Australia  
Phone: +61 2 65811111  
Fax: +61 2 65813058

JLG Latino Americana Ltd.  
Rua Antonia Martins Luiz, 580  
Distrito Industrial João Narezzi  
13347-404 Indaiatuba - SP  
Brazil  
Phone: +55 19 3936 8870  
Fax: +55 19 3935 2312

JLG Industries (UK) Ltd  
Bentley House  
Bentley Avenue  
Middleton  
Greater Manchester  
M24 2GP  
England  
Phone: +44 (0)161 654 1000  
Fax: +44 (0)161 654 1001

JLG France SAS  
Z.I. de Baulieu  
47400 Fauillet  
France  
Phone: +33 (0)5 53 88 31 70  
Fax: +33 (0)5 53 88 31 79

JLG Deutschland GmbH  
Max-Planck-Str. 21  
D - 27721 Ritterhude-Ihlpohl  
Germany  
Phone: +49 (0)421 69 350 20  
Fax: +49 (0)421 69 350 45

JLG Equipment Services Ltd.  
Rm 1107 Landmark North  
39 Lung Sum Avenue  
Sheung Shui N.T.  
Hong Kong  
Phone: +852 2639 5783  
Fax: +852 2639 5797

JLG Industries (Italia) s.r.l.  
Via Po. 22  
20010 Pregnana Milanese - MI  
Italy  
Phone: +39 029 359 5210  
Fax: +39 029 359 5845

JLG Europe B.V.  
Polaris Avenue 63  
2132 JH Hoofddorp  
The Netherlands  
Phone: +31 (0)23 565 5665  
Fax: +31 (0)23 557 2493

JLG Polska  
Ul. Krolewska  
00-060 Warszawa  
Poland  
Phone: +48 (0)914 320 245  
Fax: +48 (0)914 358 200

Plataformas Elevadoras  
JLG Iberica, S.L.  
Trapadella, 2  
P.I. Castellbisbal Sur  
08755Castellbisbal, Barcelona  
Spain  
Phone: +34 93 772 4 700  
Fax: +34 93 771 1762

JLG Sverige AB  
Enkopingsvagen 150  
Box 704  
SE - 176 27 Jarfalla  
Sweden  
Phone: +46 (0)850 659 500  
Fax: +46 (0)850 659 534

---

[www.jlg.com](http://www.jlg.com)