



Illustrated Parts Manual Manuel de pièces détachées

MODEL / MODELE

**TOUCAN 12E - PRIOR A3000115
INCLUDING A300056047,48,83,85,86,87,91,92,111**

TOUCAN 32E - PRIOR A300056657

ANSI CE



**31210150
March 08, 2016**



An Oshkosh Corporation Company

Original issue _____ **January 03, 2014**
Revised _____ **February 13, 2014** _____ **Harnesses exploded and Add RPL**
Revised _____ **November 03, 2014** _____ **Manual descent**
Revised _____ **February 01, 2015** _____ **1001150411_G**
Revised _____ **March 08, 2016** _____ **1001150411_L**

TABLE OF CONTENTS

SECTION 1 - COVERS INSTALL / INSTALLATION CAPOTS	7
FIGURE 1-1. HOODS INSTALL / INSTALLATION CAPOTS	8
SECTION 2 - FRAME INSTALL / INSTALLATION CHASSIS	13
FIGURE 2-1. FRAME INSTALL / INSTALLATION CHASSIS	14
FIGURE 2-2. MOTOR ASYNCH W/ GEARBOX / MOTORÉDUCTEUR ASYNCHRONE	18
SECTION 3 - MAST 1 INSTALL / INSTALLATION MAT 1	21
FIGURE 3-1. MAST 1 INSTALL / INSTALLATION MAT 1	22
FIGURE 3-2. GEAR, REDUCER AND MOTOR / MOTO REDUCTEUR ASSEMBLE	24
FIGURE 3-3. INSTALL MTB / INSTALLATION COMMANDES BASSES	26
SECTION 4 - MASTS INSTALL / INSTALLATION MATS	31
FIGURE 4-1. MASTS INSTALL / INSTALLATION MATS	32
FIGURE 4-2. LL10-44 PULLEY ASSEMBLY / ASSEMBLAGE POULIE LL10-44	36
FIGURE 4-3. PULLEY ASSEMBLY / ASSEMBLAGE SUPPORT POULIE LL12-66	38
FIGURE 4-4. PULLEY ASSEMBLY / ASSEMBLAGE SUPPORT POULIE LH12-66	40
FIGURE 4-5. MAST CYLINDER EQUIPPED / VERIN DE MAT EQUIPE	42
SECTION 5 - BOOM INSTALL / INSTALLATION BRAS	45
FIGURE 5-1. BOOM ASSEMBLY T12E-T32E / ASSEMBLAGE BRAS T12E-T32E	46
FIGURE 5-2. BOOM ASSEMBLY T12E PLUS / ASSEMBLAGE BRAS T12E PLUS	48
FIGURE 5-3. SLAVE CYLINDER EQUIPPED / VERIN ESCLAVE EQUIPE	50
FIGURE 5-4. JIB CYLINDER EQUIPPED / VERIN BRAS EQUIPE	52
FIGURE 5-5. MASTER CYLINDER EQUIPPED / VERIN MAITRE EQUIPE	54
FIGURE 5-6. TELESCOPE CYLINDER EQUIPPED / VERIN TELESCOPE EQUIPE	56
FIGURE 5-7. DUAL CYLINDER EQUIPPED / VERIN DOUBLE TELESCOPE EQUIPE	58
SECTION 6 - PLATFORM INSTALL / INSTALLATION PLATE-FORME	61
FIGURE 6-1. PLATFORM INSTALL WITH LSS / INSTALLATION PLATE-FORME AVEC SURCHARGE	62
FIGURE 6-2. PLATFORM INSTALL WITHOUT LSS / INSTALLATION PLATE-FORME SANS SURCHARGE	64
FIGURE 6-3. CONSOLE AND CONTAINER INSTALL / INSTALLATION BOITIER DE COMMANDE ET BOITE A OUTIL	66
FIGURE 6-4. PLATFORM CONSOLE ASSEMBLY / ASSEMBLAGE BOITIER HAUT	68
FIGURE 6-5. PLATFORM SUPPORT INSTALL / INSTALLATION SUPPORT PLATE-FORME	72
SECTION 7 - POWER TRACKS AND CLAMPS INSTALL / INSTALLATION CHAINES PORTE-CABLES	75
FIGURE 7-1. MAST POWER TRACK INSTALL / INSTALLATION CHAINE PORTE CABLE MATS	76
FIGURE 7-2. BOOM POWER TRACK INSTALL / INSTALLATION CHAINE PORTE CABLE BRAS	78
SECTION 8 - HYDRAULIC INSTALL / INSTALLATION HYDRAULIQUE	81
FIGURE 8-1. HYDRAULIC INSTALL / INSTALLATION HYDRAULIQUE	82
FIGURE 8-2. TANK AND PUMP INSTALLATION / INSTALLATION CENTRALE (12E Prior to SN A300036488; 32E Prior to SN A300052749)	84
FIGURE 8-3. TANK AND PUMP INSTALLATION / INSTALLATION CENTRALE (12E SN A300036488 to Present; 32E SN A300052749 to Present)	86
FIGURE 8-4. CONTROL VALVES / BLOCS HYDRAULIQUES	88
FIGURE 8-5. MAIN MANIFOLD / BLOC PRINCIPAL	90
FIGURE 8-6. SECONDARY MANIFOLD / BLOC SECONDAIRE	92
SECTION 9 - ELECTRICAL SYSTEM INSTALL / INSTALLATION ELECTRIQUE	95
FIGURE 9-1. CABLE INSTALL DIAGRAM / DIAGRAMME D'INSTALLATION CABLES	96
FIGURE 9-2. LIMIT SWITCHES AND COVERS / INSTALLATION CAPTEURS	110
FIGURE 9-3. BATTERY AND CHARGER INSTALL / INSTALLATION BATTERIE ET CHARGEUR	114
FIGURE 9-4. INSTALL WATER FILLING NETWORK / INSTALLATION REMPLISSAGE CENTRALISE	120
SECTION 10 - DECALS INSTALL / INSTALLATION AUTOCOLLANTS	123
FIGURE 10-1. DECAL INSTALL / INSTALLATION AUTOCOLLANTS	124

TABLE OF CONTENTS

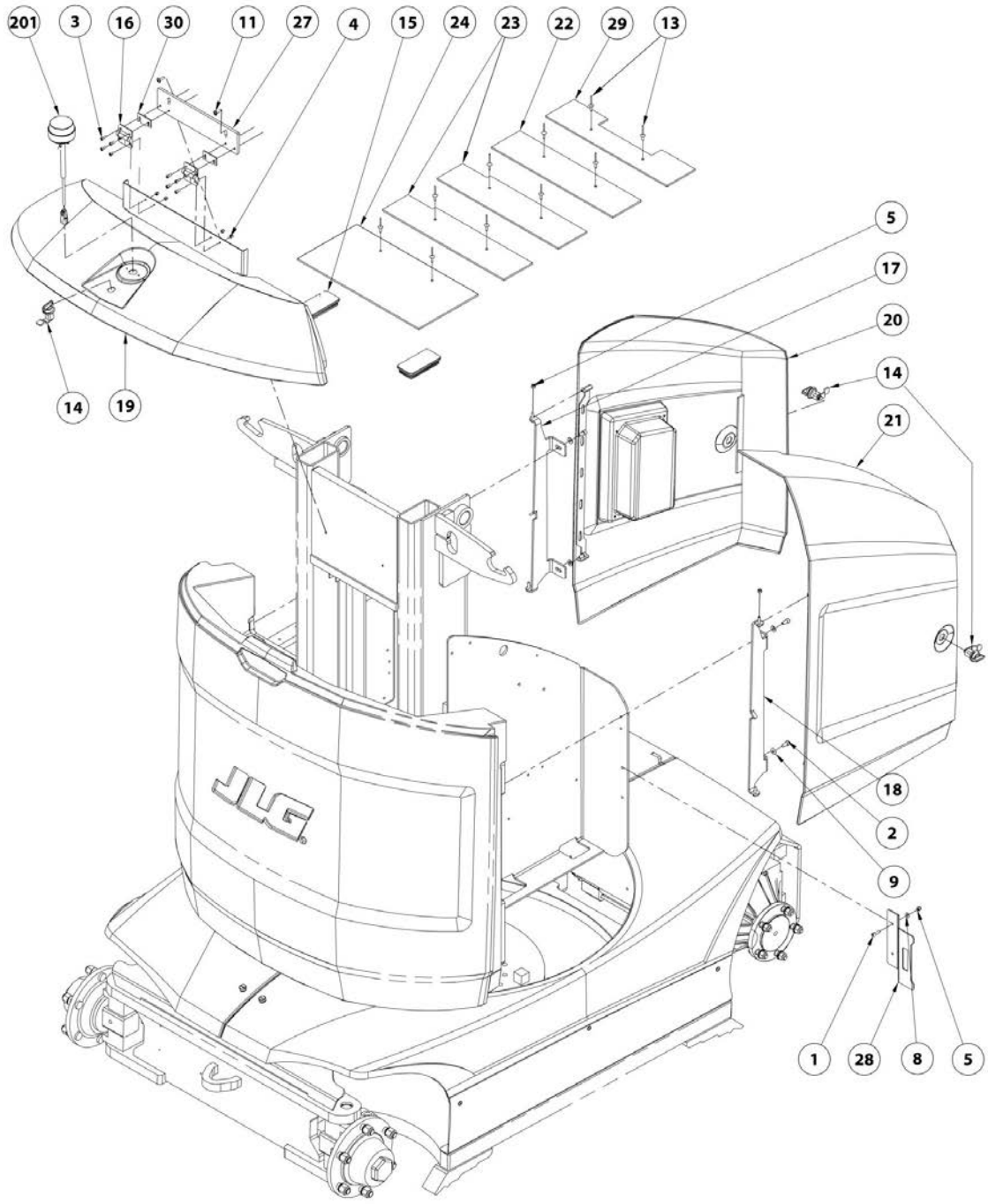
FIGURE 10-2. DECAL,EAC (RUSSIA,CIS) / AUTOCOLLANTS EAC (RUSSIA,CIS).....	130
SECTION 11 - OPTIONS / OPTIONS.....	133
FIGURE 11-1. PLATFORM WORK LIGHT INSTALL / INSTALLATION PHARE DE TRAVAIL	134
FIGURE 11-2. AIR LINE INSTALL / INSTALLATION AIR COMPRIME	136
FIGURE 11-3. 230V PLATFORM SOCKET INSTALL / INSTALLATION PRISE PLATEFORME 230V	138
FIGURE 11-4. 115V (CEI 60309 YELLOW) PLATFORM SOCKET INSTALL / INSTALLATION PRISE PLATEFORME 115V (CEI 60309 JAUNE)	142
FIGURE 11-5. 115V (GFI-US) PLATFORM SOCKET INSTALL / INSTALLATION PRISE PLATEFORME 115V (GFI-US)	146
FIGURE 11-6. PLATFORM ROTATION CYLINDER PROTECTION / PROTECTION VERIN ROTATION PLATE-FORME	150
FIGURE 11-7. PLATFORM W/ ROTATION SOFT TOUCH / CADRE SENSIBLE AVEC ROTATION PLATE-FORME.....	152
FIGURE 11-8. PLATFORM W/O ROTATION SOFT TOUCH / CADRE SENSIBLE SANS ROTATION PLATE-FORME	154
SECTION 12 - RECOMMENDED PART LIST / PIECES RECOMMANDEES	157
FIGURE 12-1. RECOMMENDED PARTS LIST / LISTE DES PIECES RECOMMANDEES	158
PART NUMBER INDEX.....	161

SECTION 1 - COVERS INSTALL / INSTALLATION CAPOTS

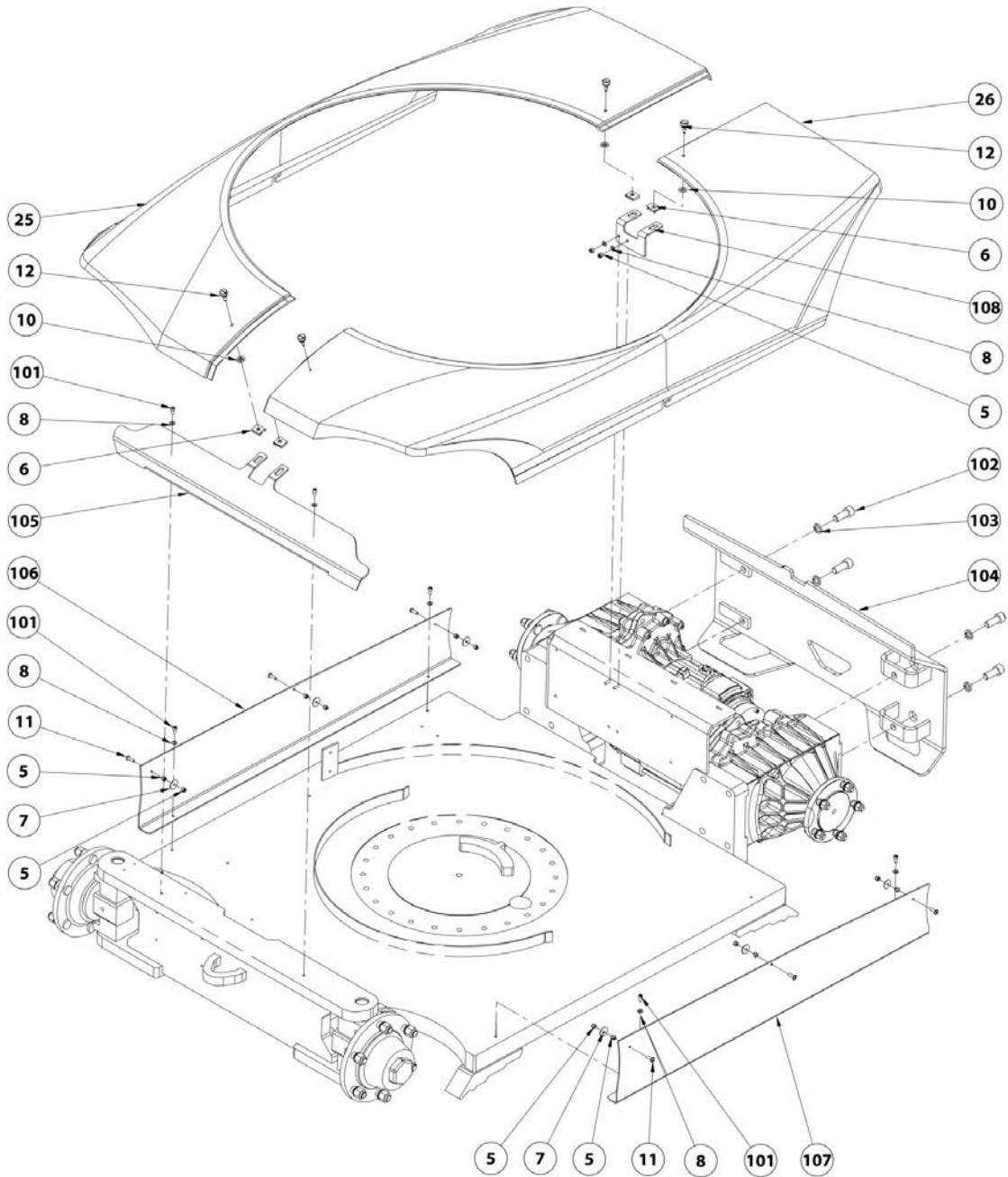
SECTION 1 - COVERS INSTALL / INSTALLATION CAPOTS

SECTION 1 - COVERS INSTALL / INSTALLATION CAPOTS

FIGURE 1-1. HOODS INSTALL / INSTALLATION CAPOTS



SECTION 1 - COVERS INSTALL / INSTALLATION CAPOTS



SECTION 1 - COVERS INSTALL / INSTALLATION CAPOTS

FIGURE 1-1. HOODS INSTALL / INSTALLATION CAPOTS

ITEM	PART NUMBER	QTY	DESCRIPTION	REV
		Ref	COVERS INSTALL; INFO - SP0962 / INSTALLATION CAPOTS; INFO - SP0962	B
0	SA0114	Ref	INSTALL, HOODS / INSTALLATION CAPOTS	
1	000005	1	M06x20 8.8 SOCKET HEAD MACH SCREW / VIS CHC M06x20 8.8 BI FT	
2	000018	4	M08x16 8.8 SOCKET HEAD MACH SCREW / VIS CHC M08x16 8.8 BI FT	
3	000067	8	M05x12 8.8 SOCKET HEAD MACH SCREW / VIS CHC M05x12 8.8 BI FT	
4	110002	4	M05 GR08 LOCK NUT / ECROU FREIN M5 CL08 BI	
5	110003	15	M06 GR08 LOCK NUT / ECROU FREIN M6 CL08 BI	
6	110040	4	D8 CAGE HEX NUT / ECROU CAGE D8	
7	120004	6	dD 06x25 WASHER / RONDELLE dD 06x25x1.2 BI	
8	120009	1	dD 06x14 LOCK WASHER / RONDELLE CONTACT dD 06x14 BI	
9	120010	4	dD 08x18 LOCK WASHER / RONDELLE CONTACT dD 08x18 BI	
10	120057	4	D8 RETAINING WASHER / RONDELLE DE RETENUE D8	
11	130021	8	M06x20 8.8 ROUND HEAD MACH SCREW / VIS BOMBEE ULF M06x20 8.8 BI FT	
12	130064	4	D8 FAST-LEAD THREAD SCREW / VIS D8 PAS RAPIDE TETE LARGE	
13	180009	10	Ø5x16 LARGE HEAD POP RIVET / RIVET POP TETE LARGE Ø5x16	
14	190072	3	COMPRESSION LATCH / LOQUET A COMPRESSION	
15	400057	2	CAP / EMBOUT NOIR	
16	190074	2	FRICTION HINGE / CHARNIERE A FRICTION	
17	DL0905	1	SUPPORT, RIGHT MAST HOOD / SUPPORT CAPOT DROIT MATS	
18	DL0906	1	SUPPORT, LEFT MAST HOOD / SUPPORT CAPOT GAUCHE MATS	
19	SD0748	1	HOOD, BATTERIES / CAPOT BATTERIES	
20	SD0749	1	HOOD, MAST RIGHT / CAPOT DROIT MATS	
21	SD0750	1	HOOD, MAST LEFT / CAPOT GAUCHE MATS	
22	ST3636	1	COVER, MAST / COUVRE MAT	
23	ST3637	2	COVER, MAST WITH CUT / COUVRE MAT AVEC DECOUPE	
24	ST3638	1	COVER, MAST 1 / COUVRE MAT 1	
25	ST3664	1	HOOD, FRAME RIGHT / CAPOT CHASSIS DROIT	
26	ST3665	1	HOOD, FRAME LEFT / CAPOT CHASSIS GAUCHE	
27	ST3667	1	PLATE, BATTERIES HOOD SUPPORT / TOLE SUPPORT CAPOT BATTERIES	
28	ST3668	1	PLATE, LEFT HOOD LOCK / TOLE VERROU CAPOT GAUCHE	
29	ST3669	1	COVER, MAST 6 / COUVRE MAT 6	
30	ST3692	AR	SHIM, HINGE / CALE DE CHARNIERE	
100	SA0128	Ref	INSTALL, FRAME SHIELDS / INSTALLATION TOLES DE CHASSIS	
5	110003	2	M06 GR08 LOCK NUT / ECROU FREIN M6 CL08 BI	
8	120009	8	dD 06x14 LOCK WASHER / RONDELLE CONTACT dD 06x14 BI	
101	000014	6	M06x12 8.8 SOCKET HEAD MACH SCREW / VIS CHC M06x12 8.8 BI FT	
102	000049	4	M16x40 8.8 SOCKET HEAD MACH SCREW / VIS CHC M16x40 8.8 BI FT	

SECTION 1 - COVERS INSTALL / INSTALLATION CAPOTS

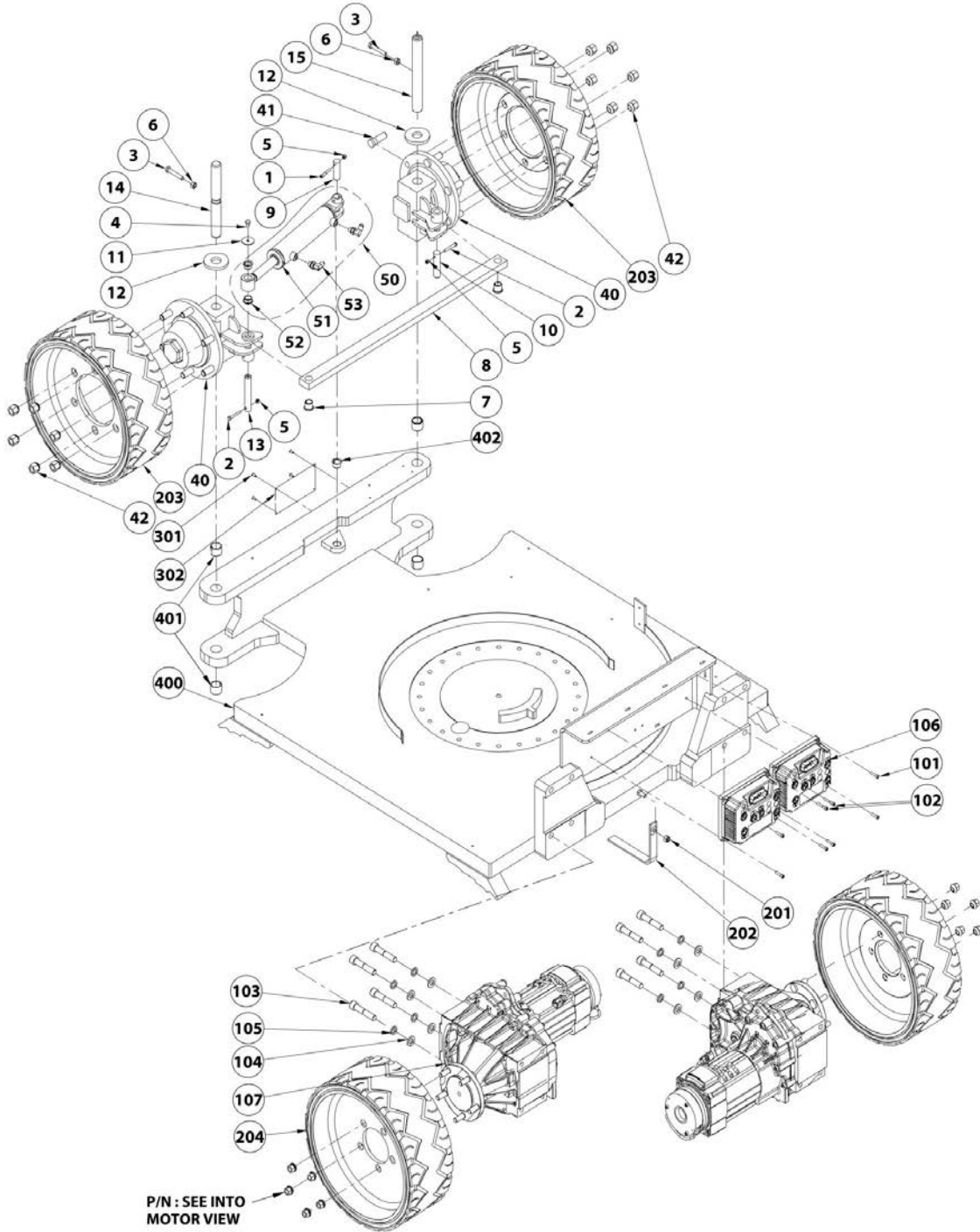
ITEM	PART NUMBER	QTY	DESCRIPTION	REV
103	120061	4	HELICAL SPRING LOCK WASHER Ø16 / RONDELLE GROWER Ø16 BI	
104	DL0899	1	SHIELD, REAR FRAME / TOLE ARRIERE CHASSIS	
105	ST3641	1	SHIELD, FRONT FRAME / TOLE AVANT CHASSIS	
106	ST3651	1	SHIELD, RIGHT FRAME / TOLE DROITE CHASSIS	
107	ST3652	1	SHIELD, LEFT FRAME / TOLE GAUCHE CHASSIS	
108	ST3666	1	SUPPORT, FRAME HOODS / SUPPORT CAPOTS CHASSIS	
200	SA0138	Ref	INSTALL, STROBE, AMBER / INSTALLATION FEU A ECLATS	
201	PC0534	1	HARNES, BEACON / FAISCEAU FEU A ECLATS	

SECTION 2 - FRAME INSTALL / INSTALLATION CHASSIS

SECTION 2 - FRAME INSTALL / INSTALLATION CHASSIS

SECTION 2 - FRAME INSTALL / INSTALLATION CHASSIS

FIGURE 2-1. FRAME INSTALL / INSTALLATION CHASSIS



SECTION 2 - FRAME INSTALL / INSTALLATION CHASSIS

FIGURE 2-1. FRAME INSTALL / INSTALLATION CHASSIS

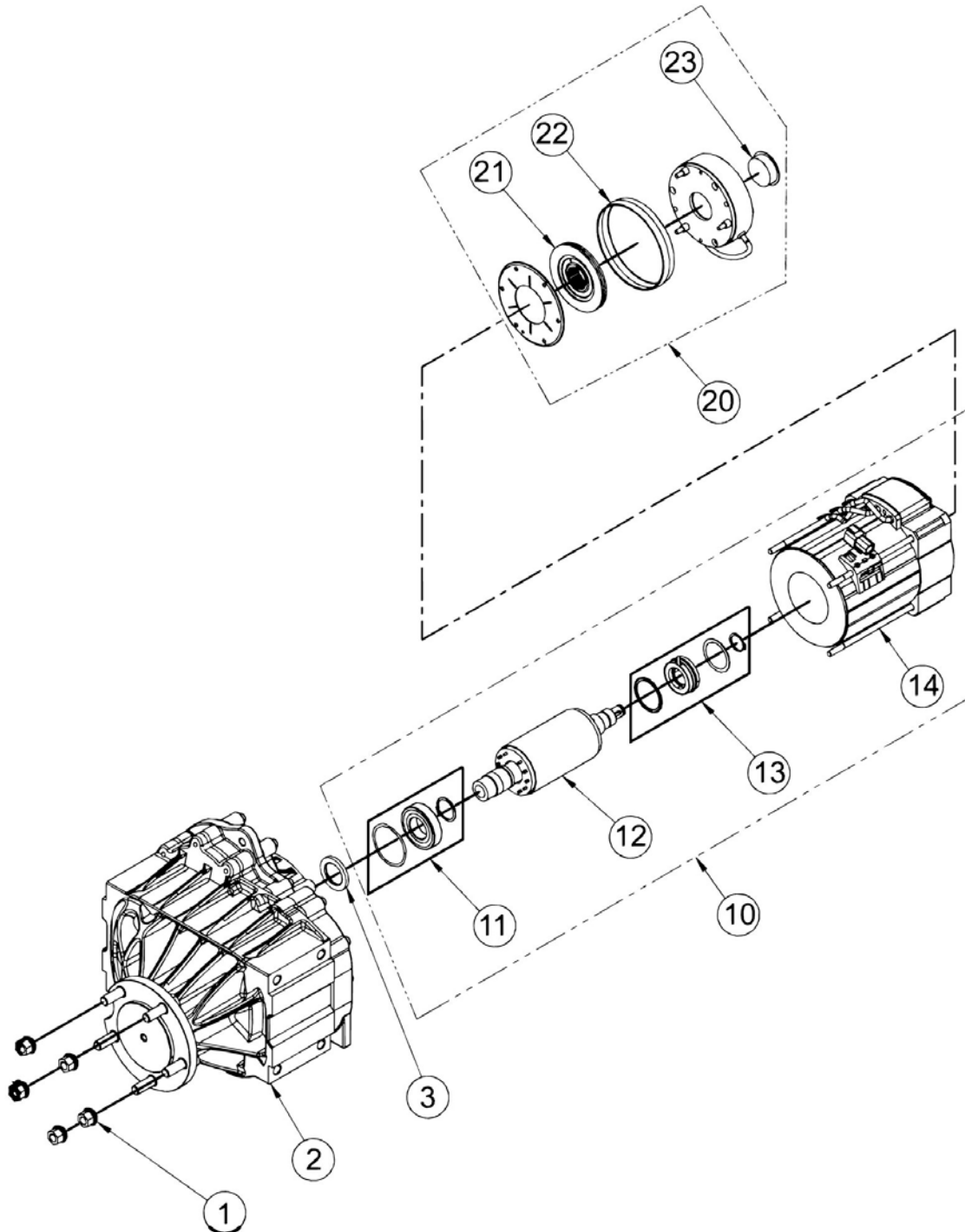
ITEM	PART NUMBER	QTY	DESCRIPTION	REV
		Ref	FRAME INSTALL; INFO - SP0963 / INSTALLATION CHASSIS; INFO - SP0963	
0	SA0117	Ref	INSTALL, STEER / INSTALLATION DIRECTION	
1	000017	1	M06x40 8.8 SOCKET HEAD MACH SCREW / VIS CHC M06x40 8.8 BI FT	
2	100004	2	M06x45 8.8 HEX HEAD MACHINE SCREW / VIS H M06x45 8.8 BI FT	
3	100039	2	M10x60 8.8 HEX HEAD MACHINE SCREW / VIS H M10x60 8.8 BI FT	
4	100053	1	M08x12 8.8 HEX HEAD MACHINE SCREW / VIS H M08x12 8.8 BI FT	
5	110003	3	M06 GR08 LOCK NUT / ECROU FREIN M6 CL08 BI	
6	110008	2	M10 GR08 HEX NUT / ECROU H M10 CL08 BI	
7	150059	2	FLANGE BUSHING Ø20 H21.5 DU / BAGUE EPAULEE Ø20 H21.5 DU	
8	ST3563	1	LINK, STEERING / BIELLETTE DE DIRECTION	
9	US0529	1	PIN, ARTICULATION D20-60 / AXE D20-60	
10	US0530	1	PIN, ARTICULATION D20-80 / AXE D20-80	
11	US0531	1	WASHER, ID8xOD37xTH3 / RONDELLE Di 8xDe 37xEP 3	
12	US0572	2	WHASHER, PAD d31 d75 h8 / RONDELLE D'APPUI d31 d75 h8	
13	US0573	1	PIN, ARTICULATION / AXE DE DIRECTION	
14	US0574	1	PIN, SPINDLE PIVOT / AXE FUSEE	
15	US0575	1	PIN, ROTARY ANGLE SENSOR / AXE DIRECTION POUR CAPTEUR D'ANGLE	
40	DL0897	2	SPINDLE / PIVOT DE DIRECTION	
41	920061	AR	STUD M18x150 50/40 / GOUJON M18x150 50/40	
42	920065	AR	M18x150 NUT / ECROU H M18x150	
50	SE1159	1	CYLINDER, STEERING EQUIPPED / VERIN DE DIRECTION ASSEMBLE	
51	ST3527	1	STEERING CYLINDER / VERIN DE DIRECTION	
51	960101	1	SEAL KIT ST3527 / KIT DE JOINT ST3527	
52	150004	2	FLANGE BUSHING Ø20 H11.5 DU / BAGUE EPAULEE Ø20 H11.5 DU	
53	300001	2	90° ELBOW MALE BSPP 1/4-MALE JIC 9/16 / COUDE 90° Male BSPP 1/4 -Male JIC 9/16	
100	SA0116	Ref	INSTALL, WHEEL DRIVE / INSTALLATION TRANSLATION	
101	000008	6	M06x25 8.8 SOCKET HEAD MACH SCREW / VIS CHC M06x25 8.8 BI FT	
102	000077	2	M06x35 8.8 SOCKET HEAD CAPSCREW / VIS CHC M06x35 8.8 BI FP	
103	000096	8	M16x80 10.9 SOCKET HEAD CAPSCREW / VIS CHC MM16x80 10.9 BI FP	
104	120001	8	M16 WASHER / RONDELLE M16 BI	
105	120061	8	HELICAL SPRING LOCK WASHER Ø16 / RONDELLE GROWER Ø16 BI	
106	260331	2	CONTROLLER, COMBI-ACO / VARIATEUR COMBI-ACO	
107	510091	2	DRIVE GEAR MOTOR; INFO - 510091 / MOTOREDUCTEUR DE ROUE; INFO - 510091	
200	SA0118	Ref	INSTALL, TIRES AND WHEEL / INSTALLATION ROUES	

SECTION 2 - FRAME INSTALL / INSTALLATION CHASSIS

ITEM	PART NUMBER	QTY	DESCRIPTION	REV
201	110005	1	M10 GR08 LOCK NUT / ECROU FREIN M10 CL08 BI	
202	4240147	1	STRAP, ANTI-STATIC 13" / TRESSE ANTI-STATIQUE 13"	
203	ST3495	2	WHEEL/TYRE, d457x178 - STEERING / ROUE DIRECTION D457x178	
204	ST3496	2	WHEEL/TYRE, d457x178 - DRIVE / ROUE MOTRICE D457x178	
300	SA0144	Ref	INSTALL, T12E NAME PLATE / T12E - INST. PLAQUE CONSTRUCTEUR	
300	SA0145	Ref	INSTALL, T32E NAME PLATE / T32E - INST. PLAQUE CONSTRUCTEUR	
301	180003	4	Ø5x10 POP RIVET / RIVET POP Ø5x10	
302		Ref	MANUFACTURER'S PLATE / PLAQUE CONSTRUCTEUR	
400	DL0898	1	FRAME / CHASSIS	
401	150019	4	BUSHING Ø30 H25 DU / BAGUE Ø30 H25 DU	
402	150058	1	FLANGE BUSHING Ø20 H16.5 / BAGUE EPAULEE Ø20 H16.5	

SECTION 2 - FRAME INSTALL / INSTALLATION CHASSIS

FIGURE 2-2. MOTOR ASYNCH W/ GEARBOX / MOTORÉDUCTEUR ASYNCHRONE



SECTION 2 - FRAME INSTALL / INSTALLATION CHASSIS

FIGURE 2-2. MOTOR ASYNCH W/ GEARBOX / MOTORÉDUCTEUR ASYNCHRONE

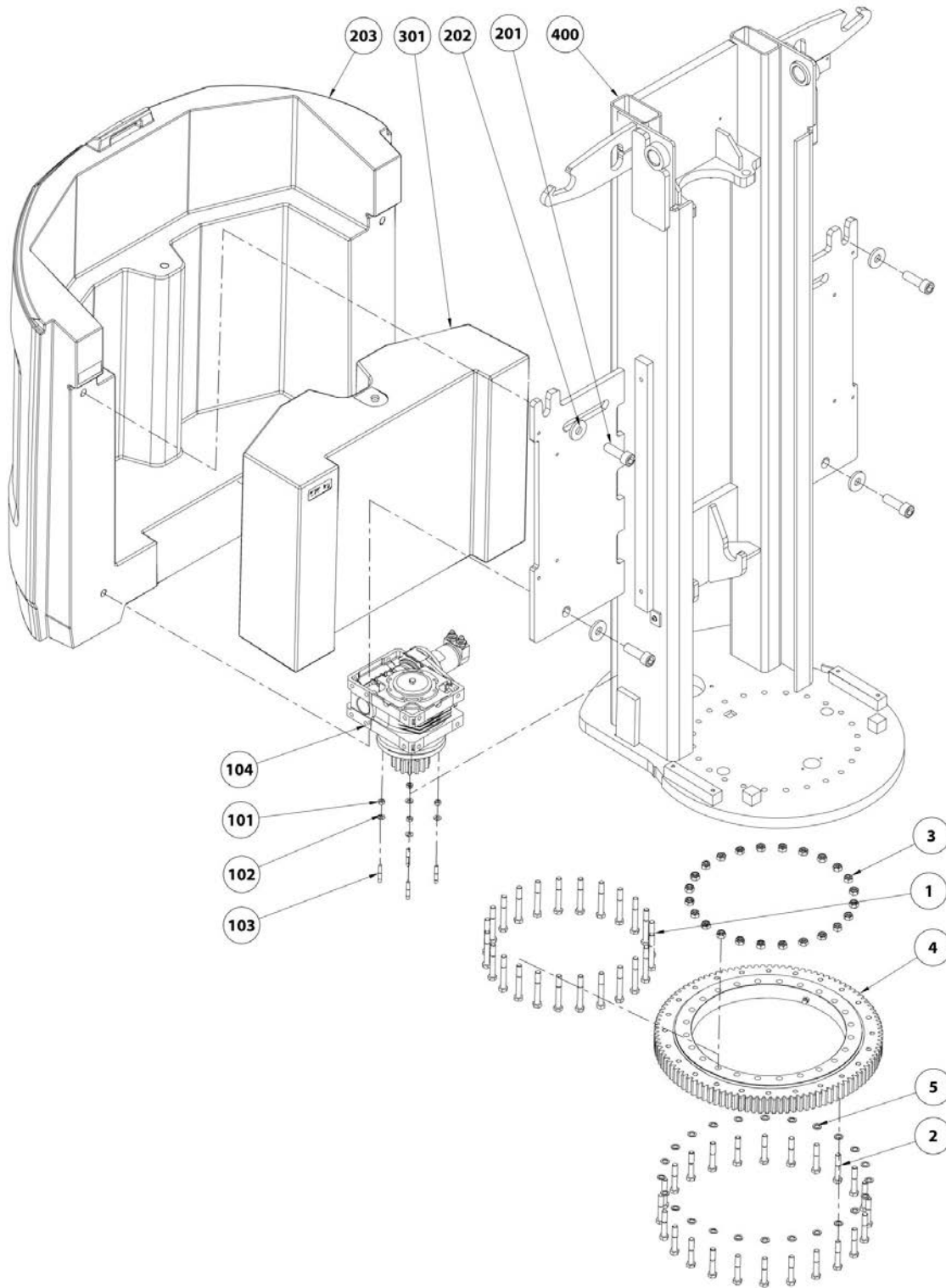
ITEM	PART NUMBER	QTY	DESCRIPTION	REV
0	510091	Ref	MOTOR ASYNCH W/ GEARBOX / MOTORÉDUCTEUR ASYNCHRONE	
1	952156	5	NUT, DIN74361 FORM A, M14x1.5 / ECROU M14x1,5 - DIN74361 (A)	
2	951044	1	GEARBOX, TDH440 / RÉDUCTEUR, TDH440	
3	952147	1	SEAL, MOTOR, TDH440 / JOINT MOTEUR, TDH440	
10	952153	1	MOTOR, 2KW, 28VAC / MOTEUR, 2KW, 28VAC	
11	952148	1	KIT, FRONT BEARING TDH440 / KIT ROULEMENT AVANT, TDH440	
12	952151	1	MOTOR, ROTOR, TDH440 / ROTOR MOTEUR, TDH440	
13	952152	1	KIT, MOTOR, SENSOR, TDH440 / KIT, CODEUR MOTEUR, TDH440	
14	952145	1	MOTOR, STATOR, TDH440 / STATOR MOTEUR, TDH440	
20	952154	1	KIT, BRAKE, TDH440 / KIT FREIN, TDH440	
21	952144	1	BRAKE, DISK, TDH440 / DISQUE DE FREIN, TDH440	
22	952155	1	COVER, DUST PROTECTION / CACHE POUSSIÈRE	
23	952146	1	PLUG, BRAKE COVER / BOUCHON, FREIN	

SECTION 3 - MAST 1 INSTALL / INSTALLATION MAT 1

SECTION 3 - MAST 1 INSTALL / INSTALLATION MAT 1

SECTION 3 - MAST 1 INSTALL / INSTALLATION MAT 1

FIGURE 3-1. MAST 1 INSTALL / INSTALLATION MAT 1



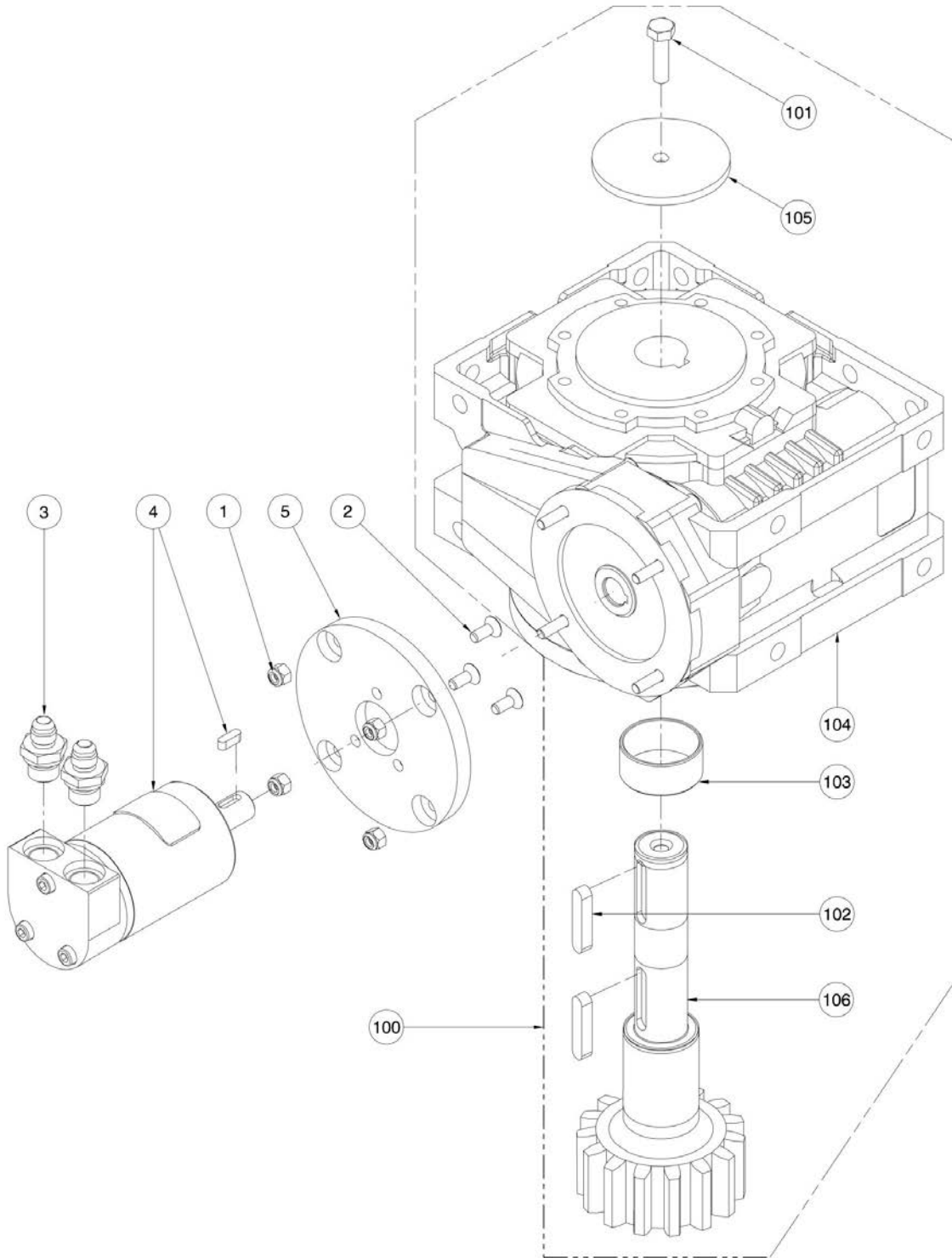
SECTION 3 - MAST 1 INSTALL / INSTALLATION MAT 1

FIGURE 3-1. MAST 1 INSTALL / INSTALLATION MAT 1

ITEM	PART NUMBER	QTY	DESCRIPTION	REV
		Ref	INSTALL, MAST 1; INFO - SP0964 / INSTALLATION MAT 1; INFO - SP0964	
0	SA0120	Ref	INSTALL, TURNTABLE BEARING / INSTALLATION COURONNE D'ORIENTATION	
1	100038	24	M12x90 10.9 HEX HEAD CAPSCREW / VIS H M12x90 10.9 BR FP	
2	100103	24	M12x70 10.9 HEX HEAD CAPSCREW / VIS H M12x70 10.9 BR FP	
3	110017	24	M12 GR10 LOCK NUT / ECROU FREIN H M12 CL10 BI	
4	500044	1	SLEWING RING / COURONNE D'ORIENTATION	
5	US0190	24	dDH 13x20x02 HARDENED WASHER / RONDELLE TRAITEE dDH 13x20x02	
100	SA0119	Ref	INSTALL, SWING DRIVE / INSTALLATION ORIENTATION	
101	110016	4	M08 GR08 HEX NUT / ECROU H M08 CL08 BI	
102	120010	4	dD 08x18 LOCK WASHER / RONDELLE CONTACT dD 08x18 BI	
103	130034	4	M08x40 8.8 STUD / GOUGEON M08x40 BR 8.8	
104	SE0934	1	GEAR, REDUCER AND MOTOR; INFO - SE0934 / MOTOREDUCTEUR ASSEMBLE; INFO - SE0934	
200	SA0129	Ref	INSTALL, COUNTERWEIGHT / INSTALLATION CONTREPOIDS	
201	000047	4	M20x60 8.8 SOCK. HEAD MACH. SCREW / VIS CHC 20x60 8.8 BI FT	
202	ST2475	4	COUNTERWEIGHT WASHER / RONDELLE DE CONTREPOIDS	
203	ST3655	1	WEIGHT, COUNTERWEIGHT / CONTREPOIDS	
300	SA0139	Ref	INSTALL, ADDITIONAL COUNTERWEIGHT / INSTALLATION CONTREPOIDS ADDITONNEL	
301	ST3656	1	WEIGHT, ADDITONAL CW, T12E Plus / CONTREPOIDS ADDITIONNEL T12E Plus	
400	DL0891	1	MAST 1 / MAT 1	

SECTION 3 - MAST 1 INSTALL / INSTALLATION MAT 1

FIGURE 3-2. GEAR, REDUCER AND MOTOR / MOTO REDUCTEUR ASSEMBLE



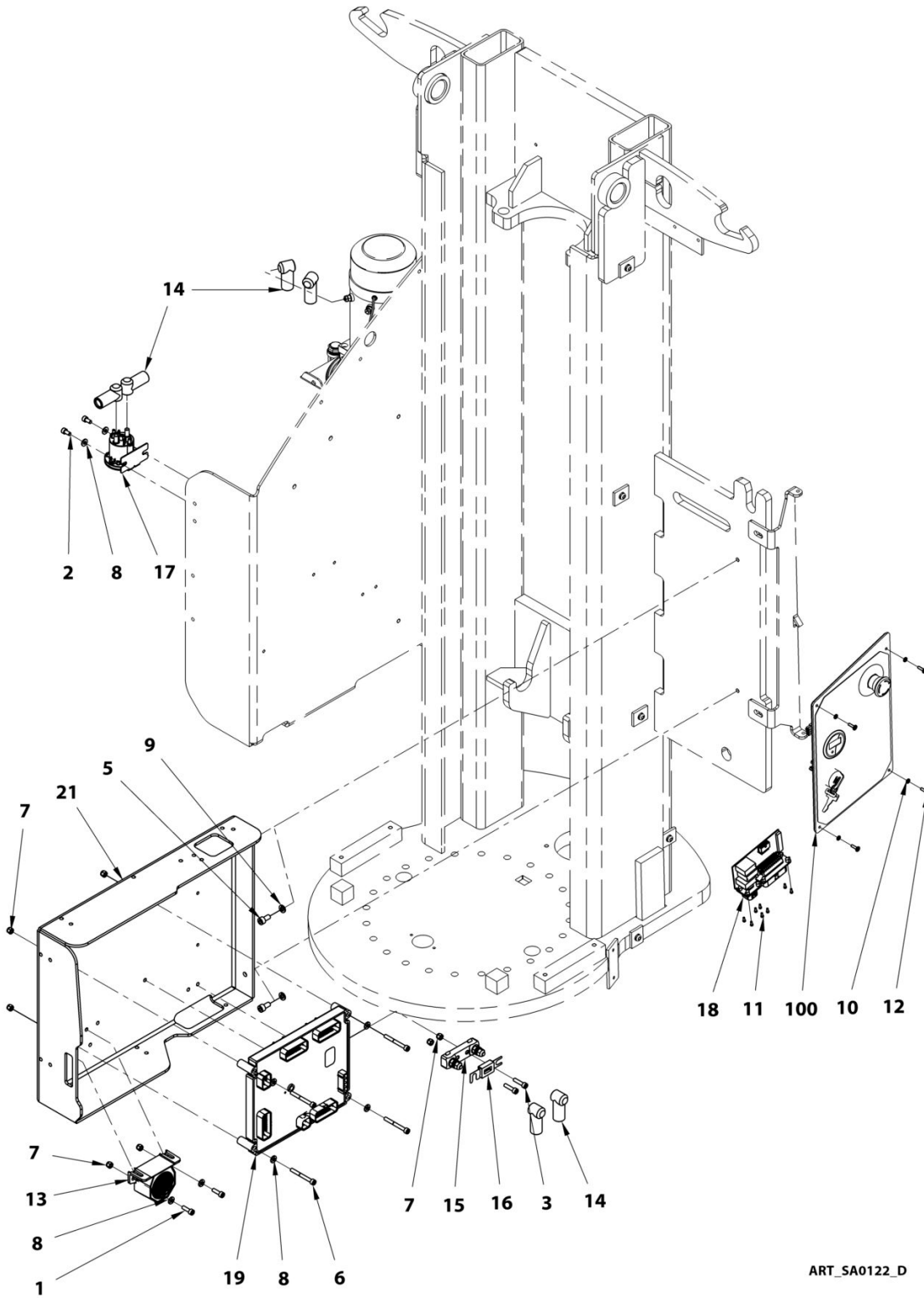
SECTION 3 - MAST 1 INSTALL / INSTALLATION MAT 1

FIGURE 3-2. GEAR, REDUCER AND MOTOR / MOTO REDUCTEUR ASSEMBLE

ITEM	PART NUMBER	QTY	DESCRIPTION	REV
	SE0934		GEAR, REDUCER AND MOTOR / MOTOREDUCTEUR ASSEMBLE	
1	110003	4	M06 GR08 LOCK NUT / ECROU FREIN M6 CL08 BI	
2	130003	3	M06x16 10.9 COUNTERSUNK HEAD M. S. / VIS FHC M06x16 10.9 BI FT	
3	300040	2	FITTING MALE BSPP3/8 MALE JIC9/16 / RACCORD MALE BSPP3/8 MALE JIC9/16	
4	320071	1	SLEWING MOTOR / MOTEUR D'ORIENTATION	
4	140026	1	A KEY 5x5x15 / CLAVETTE FORME A 5x5x15	
5	US0044	1	MOTOR ADAPTOR FLANGE / FLASQUE MOTEUR	
6		Ref	SEE ITEM 100 / VOIR REP 100	
100	KT0157	1	GEAR ASSEMBLY / ASSEMBLAGE REDUCTEUR	
101	100008	1	M08x30 8.8 HEX HEAD MACHINE SCREW / VIS H M08x30 8.8 BI FT	
102	140016	2	A KEY 8x7x40 / CLAVETTE FORME A 8x7x40	
103	150009	1	BUSHING D40 H20 / BAGUE D40 H20	
104	500045	1	GEAR, REDUCER W75 / REDUCTEUR W75	
105	US0429	1	dDh 8.5x73x5 WASHER / RONDELLE dDh 8.5x73x5	
106	US0586	1	SHAFT, REDUCER / PIGNON	

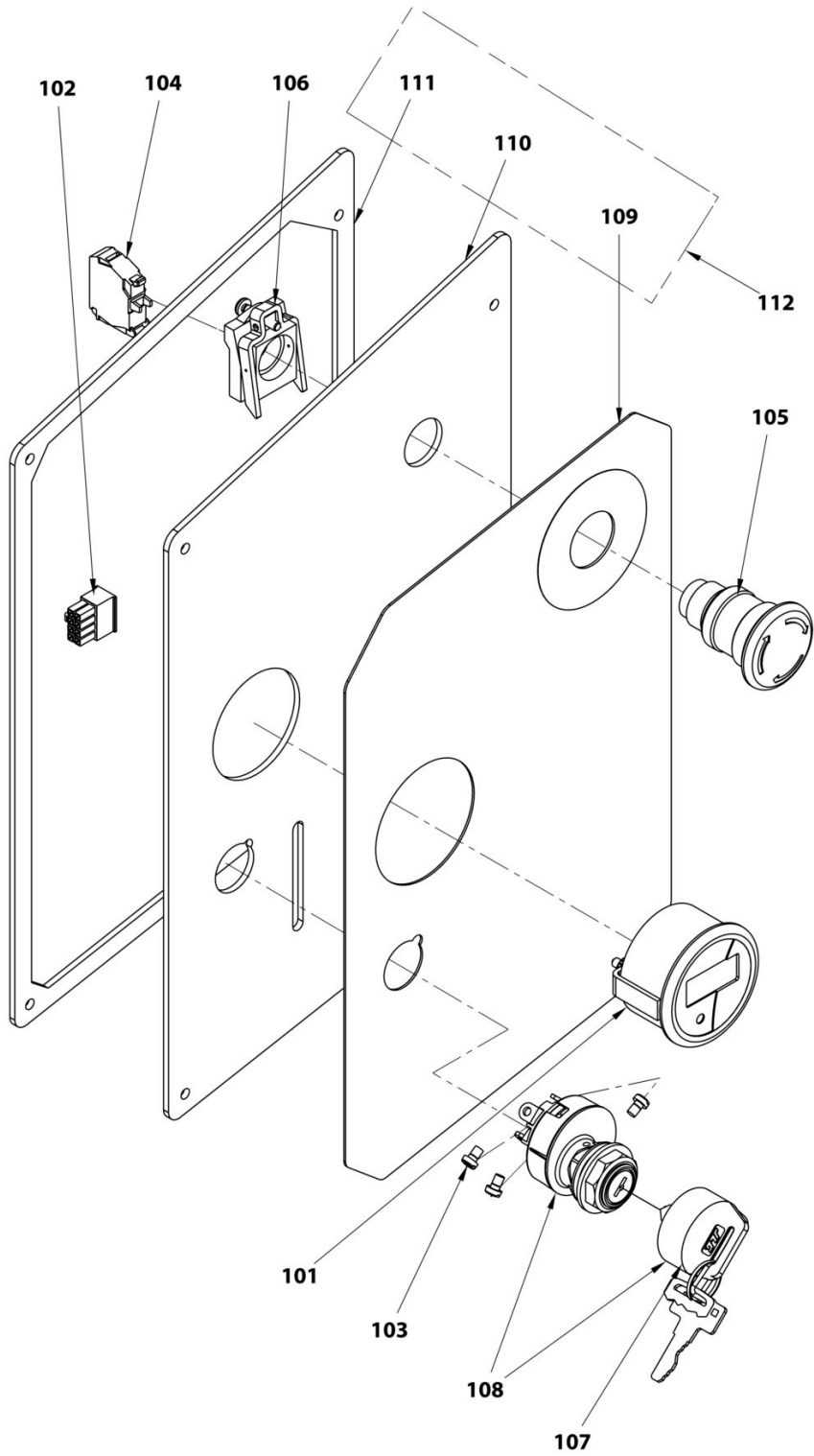
SECTION 3 - MAST 1 INSTALL / INSTALLATION MAT 1

FIGURE 3-3. INSTALL MTB / INSTALLATION COMMANDES BASSES



ART_SA0122_D

SECTION 3 - MAST 1 INSTALL / INSTALLATION MAT 1



ART_SE1203_A

SECTION 3 - MAST 1 INSTALL / INSTALLATION MAT 1

FIGURE 3-3. INSTALL MTB / INSTALLATION COMMANDES BASSES

ITEM	PART NUMBER	QTY	DESCRIPTION	REV
0	SA0122	Ref	INSTALL, MTB / INSTALLATION COMMANDES BASSES	D
1	000005	2	M06x20 8.8 SOCKET HEAD MACH SCREW / VIS CHC M06x20 8.8 BI FT	
2	000014	2	M06x12 8.8 SOCKET HEAD MACH SCREW / VIS CHC M06x12 8.8 BI FT	
3	000008	2	M06x25 8.8 SOCKET HEAD MACH SCREW / VIS CHC M06x25 8.8 BI FT	D
5	000018	2	M08x16 8.8 SOCKET HEAD MACH SCREW / VIS CHC M08x16 8.8 BI FT	
6	000073	4	M06x55 8.8 SOCKET HEAD CAPSCREW / VIS CHC M06x55 8.8 BI FP	
7	110003	8	M06 GR08 LOCK NUT / ECROU FREIN M6 CL08 BI	
8	120009	8	dD 06x14 LOCK WASHER / RONDELLE CONTACT dD 06x14 BI	
9	120021	2	HELICAL SPRING LOCK WASHER Ø8 / RONDELLE GROWER Ø8 BI	
10	120033	4	M4 PLASTIC WASHER / RONDELLE PLASTIQUE M4	
11	1001210948	8	SCREW, TORX D3xL8 FOR THERMOPLASTIC / VIS TORX D3xL8 POUR THERMOPLASTIQUE	
12	130062	4	M04x16 8.8 ROUND HEAD MACH SCREW / VIS BOMBEE ULF M04x16 8.8 BI FT	
13	0140043	1	ALARM, MOTION/DESCENT/HORN / ALARME MOUVEMENTS ET KLAXON	
14	250031	6	TERMINAL BOOT / CAPUCHON D'ETANCHEITE	
15	260077	1	POWER FUSE HOLDER / PORTE FUSIBLE DE PUISSANCE	
16	260115	1	250 A FUSE / FUSIBLE 250 A	
17	1001151762	1	RELAY, 48V / RELAIS 48V	
18	1001152481	1	PC BRD, INTERFACE / CARTE ELECTRONIQUE INTERFACE	D
18	1001187632	1	PC BRD,INTERFACE / CARTE ELECTRONIQUE INTERFACE (SN A300053009 to Present)	D
19	1001152628	1	PC-BRD, DE-POP UGM / CARTE ELECTRONIQUE UGM	
21	ST3648	1	PLATE, UGM MOUNT / SUPPORT CARTE UGM	
100	SE0931	Ref	ELEC ASSY, GROUND CONTROL / FACADE BOITIER BAS (Prior to SN A300053009)	D
100	SE1203	Ref	ELEC ASSY, GROUND CONTROL / FACADE BOITIER BAS (SN A300053009 to Present)	D
101	1001109503	1	GAUGE, INDICATOR / AFFICHEUR MULTIFONCTION	
102	1001152083	1	HARNESS LOWER CONTROL BOX / FAISCEAU BOITIER BAS	
103	130059	3	SCREW, M4X6 CYLINDER HEAD / VIS TC M04x06 4.8 ZI	
104	240057	1	SWITCH, NC CONTACT BOX / CONTACT NF	
105	240060	1	TURN TO RELEASE KNOB / BOUTON D'ARRET D'URGENCE 1/4 TOUR	
106	240076	1	SWITCH, BASE / EMBASE CONTACT	
107	2860030	1	KEY, SPARE SET (HOBBS) / CLÉ (INCLUDE DANS REF 4360469)	
108	4360469	1	SWITCH, KEY (DOM) / SELECTEUR A CLE 3 POSITIONS	
109	AU2189	1	SWITCH MEMBRANE PANEL, GROUND / INTERRUPTEUR A MEMBRANE BOITIER BAS (Prior to SN A300053009)	D
109	AU2208	1	MEMBRANE SWITCHES, GROUND PANEL / INTERRUPTEUR A MENBRANE BOITIER BAS (SN A300053009 to Present)	D
110	ST3653	1	PLATE GROUND PANEL / PLATINE BOITIER BAS (Prior to SN A300053009)	D
110	ST3782	1	PLATE,GROUND PANEL / PLATINE BOITIER BAS (SN	D

SECTION 3 - MAST 1 INSTALL / INSTALLATION MAT 1

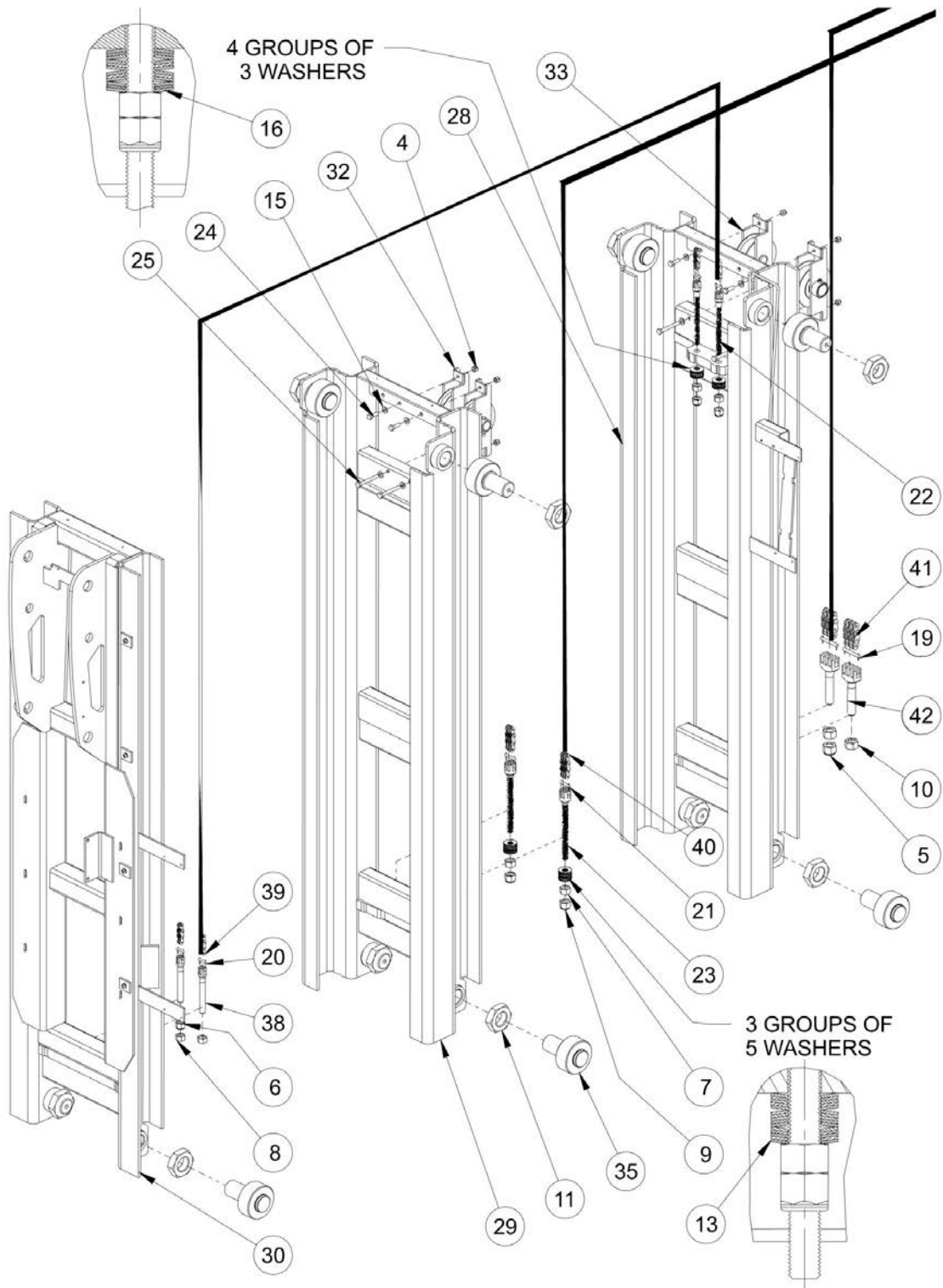
ITEM	PART NUMBER	QTY	DESCRIPTION	REV
111	ST3654	1	A300053009 to Present) SEAL, GROUND PANEL / JOINT BOITIER BAS	
112	KT0160	1	KIT-DECAL AND PLATE AND SEAL - LCB / KIT AU ET PLATINE ET JOINT (Prior to SN A300053009)	D
112	SE1208	1	KIT-SERVICE,GROUD PANEL / KIT SAV PLATINE BOITIER BAS (SN A300053009 to Present)	D

SECTION 4 - MASTS INSTALL / INSTALLATION MATS

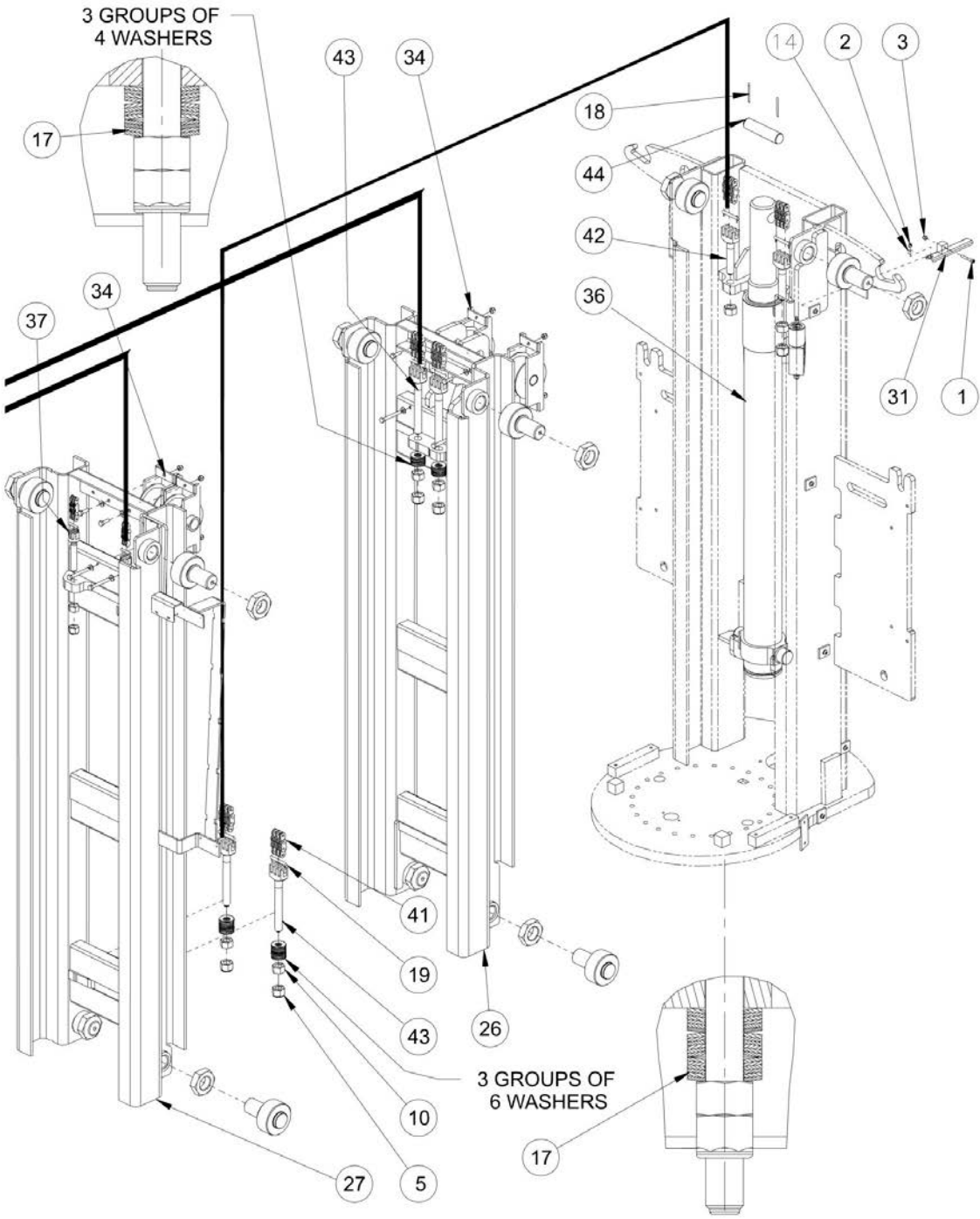
SECTION 4 - MASTS INSTALL / INSTALLATION MATS

SECTION 4 - MASTS INSTALL / INSTALLATION MATS

FIGURE 4-1. MASTS INSTALL / INSTALLATION MATS



SECTION 4 - MASTS INSTALL / INSTALLATION MATS



SECTION 4 - MASTS INSTALL / INSTALLATION MATS

FIGURE 4-1. MASTS INSTALL / INSTALLATION MATS

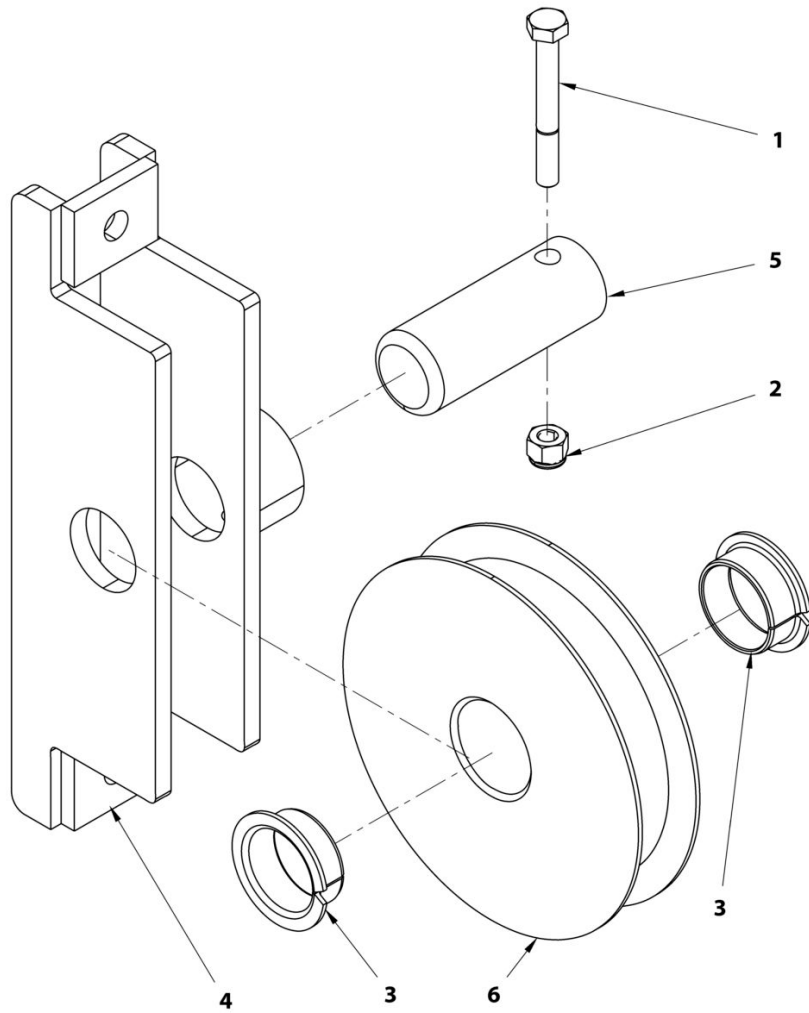
ITEM	PART NUMBER	QTY	DESCRIPTION	REV
0	SA0113	Ref	INSTALL, MASTS / INSTALLATION MATS	
1	000017	1	M06x40 8.8 SOCKET HEAD MACH SCREW / VIS CHC M06x40 8.8 BI FT	
2	110002	1	M05 GR08 LOCK NUT / ECROU FREIN M5 CL08 BI	
3	110003	1	M06 GR08 LOCK NUT / ECROU FREIN M6 CL08 BI	
4	110004	16	M08 GR08 LOCK NUT / ECROU FREIN M8 CL08 BI	
5	110006	6	M20 GR08 LOCK NUT / ECROU FREIN M20 CL08 BI	
6	110009	4	M14 GR08 HEX NUT / ECROU H M14 CL08 BI	
7	110010	4	M16 GR08 HEX NUT / ECROU H M16 CL08 BI	
8	110019	3	M14 GR08 LOCK NUT / ECROU FREIN H M14 CL08 BI	
9	110020	3	M16 GR08 LOCK NUT / ECROU FREIN H M16 CL08 BI	
10	110025	8	M20 GR08 HEX NUT / ECROU H M20 CL08 BI	
11	110036	20	M42x4.5 GR04 FLAT HEX NUT / ECROU Hm M42x4.5 CL04 BI	
13	120006	30	BEVEL WASHER Ø34x16.3x1.5 / RONDELLE RESSORT Ø34x16.3x1.5 BR	
14	120009	1	dD 06x14 LOCK WASHER / RONDELLE CONTACT dD 06x14 BI	
15	120010	16	dD 08x18 LOCK WASHER / RONDELLE CONTACT dD 08x18 BI	
16	120017	24	BEVEL WASHER Ø34x14.3x1.5 / RONDELLE RESSORT Ø34x14.3x1.5 BR	
17	120018	60	BEVEL WASHER Ø40x20.4x2 / RONDELLE RESSORT 40x20.4x2 BR	
18	140009	2	Ø4.5x50 COTTER PIN / GOUPILLE FENDUE Ø4.5x50	
19	170002	8	M20 CLEVIS PIN / AXE DE CHAPE M20	
20	170007	4	M14 CLEVIS PIN / AXE DE CHAPE M14	
21	170008	4	M16 CLEVIS PIN / AXE DE CHAPE M16	
22	170009	2	CHAIN ANCHOR M14 L150 / CHAPE DE CHAINE M14 L150	
23	170010	2	CHAIN ANCHOR M16 L160 / CHAPE DE CHAINE M16 L160	
24	0700812	8	M08x25 8.8 HEX HEAD CAPSCREW / VIS CHC M08x25 8.8 BI FP	
25	0700821	8	M08x65 8.8 HEX HEAD CAPSCREW / VIS CHC M08x65 8.8 BI FP	
26	DL0892	1	MAST 2 / MAT 2	
27	DL0893	1	MAST 3 / MAT 3	
28	DL0894	1	MAST 4 / MAT 4	
29	DL0895	1	MAST 5 / MAT 5	
30	DL0896	1	MAST 6 / MAT 6	
31	DL0907	1	LEVER, MAST LOWERING / LEVIER DE DESCENTE MAT (Prior to SN A300052846)	
31	DL0912	1	LEVER,MAST LOWERING / LEVIER DE DESCENTE MAT (SN A300052846 to Present)	
32	SE0730	2	PULLEY ASSEMBLY LL10-44; INFO - SE0730 / ASSEMBLAGE SUPPORT POULIE LL10-44; INFO - SE0730	
33	SE0731	2	PULLEY ASSEMBLY LL12-66; INFO - SE0731 / ASSEMBLAGE SUPPORT POULIE LL12-66; INFO - SE0731	
34	SE0733	4	PULLEY ASSEMBLY LH12-66 TH=8mm; INFO - SE0733 / ASS. SUPPORT POULIE LH12-66 EP=8mm; INFO - SE0733	
35	SE0929	20	ROLLER ASSEMBLY\ / ENSEMBLE GALET DE GUIDAGE	
36	SE1156	1	CYLINDER, MAST EQUIPPED; INFO - SE1156 / VERIN DE MAT ASSEMBLE; INFO - SE1156	
37	ST0099	2	CHAIN ANCHOR M16 L80 / CHAPE DE CHAINE M16 L80	
38	ST0120	2	CHAIN ANCHOR M14 L90 / CHAPE DE CHAINE M14 L90	
39	ST0178	2	LL 10-44 CHAIN / CHAINE LL 10-44	
40	ST0179	2	LL 12-66 CHAIN / CHAINE LL 12-66	
41	ST0751	4	LH 12-66 CHAIN / CHAINE LH 12-66	

SECTION 4 - MASTS INSTALL / INSTALLATION MATS

ITEM	PART NUMBER	QTY	DESCRIPTION	REV
42	ST0752	4	CHAIN ANCHOR M20 L80 / CHAPE M20 L80	
43	ST0828	4	CHAIN ANCHOR M20 L135 / CHAPE M20 L135	
44	US0465	1	CYLINDER PIN/MAST / AXE VERIN/MAT	

SECTION 4 - MASTS INSTALL / INSTALLATION MATS

FIGURE 4-2. LL10-44 PULLEY ASSEMBLY / ASSEMBLAGE POULIE LL10-44



ART. 560730

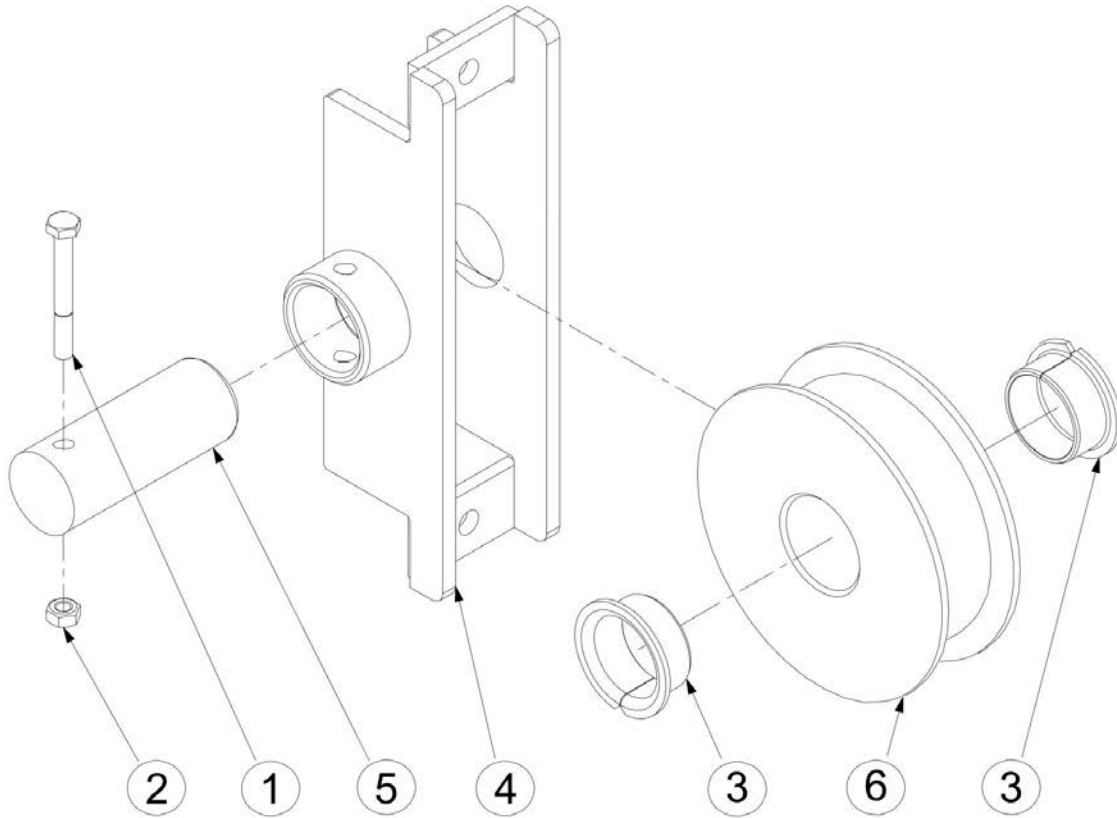
SECTION 4 - MASTS INSTALL / INSTALLATION MATS

FIGURE 4-2. LL10-44 PULLEY ASSEMBLY / ASSEMBLAGE POULIE LL10-44

ITEM	PART NUMBER	QTY	DESCRIPTION	REV
	SE0730		PULLEY ASSEMBLY LL10-44; INFO - SE0730 / ASSEMBLAGE SUPPORT POULIE LL10-44; INFO - SE0730	
1	100013	1	M06x50 8.8 HEX HEAD CAPSCREW / VIS H M06x50 8.8 BI FP	
2	110003	1	M06 GR.08 LOCK NUT / ECROU FREIN M6 CL08 BI	
3	150011	2	FLANGE BUSHING D25 H11.5 DU / BAGUE EPAULEE D25 H11.5 DU	
4	SD0453	1	PULLEY MOUNT / SUPPORT POULIE	
5	US0377	1	PULLEY PIN / AXE DE SUPPORT POULIE	
6	US0475	1	LL10-44 PULLEY / POULIE LL10-44	

SECTION 4 - MASTS INSTALL / INSTALLATION MATS

FIGURE 4-3. PULLEY ASSEMBLY / ASSEMBLAGE SUPPORT POULIE LL12-66



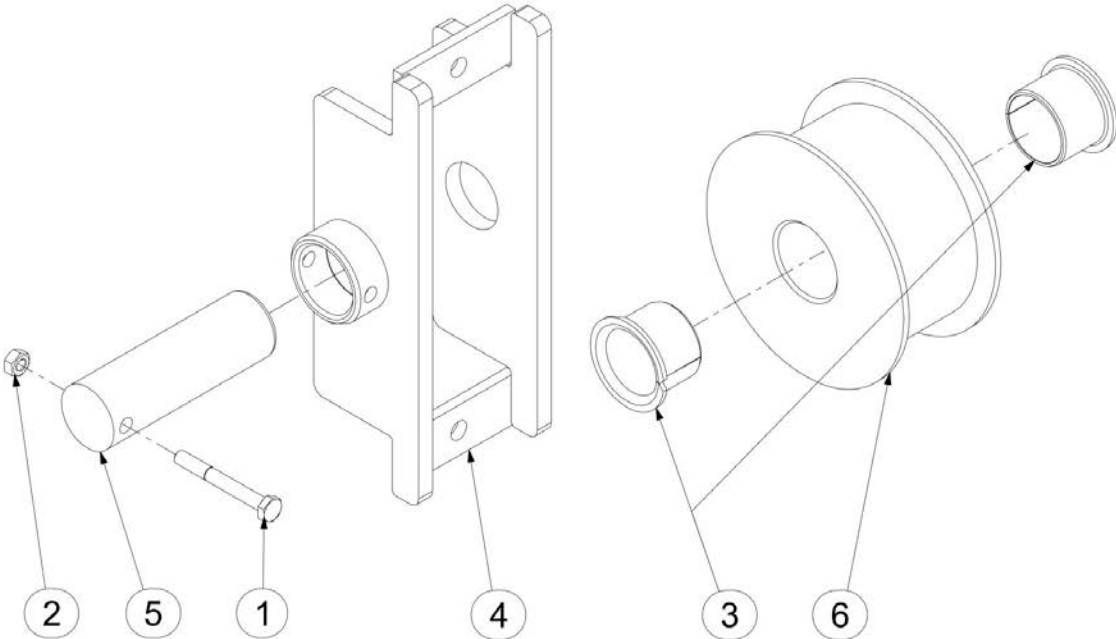
SECTION 4 - MASTS INSTALL / INSTALLATION MATS

FIGURE 4-3. PULLEY ASSEMBLY / ASSEMBLAGE SUPPORT POULIE LL12-66

ITEM	PART NUMBER	QTY	DESCRIPTION	REV
	SE0731		PULLEY ASSEMBLY LL12-66; INFO - SE0731 / ASSEMBLAGE SUPPORT POULIE LL12-66; INFO - SE0731	
1	100013	1	M06x50 8.8 HEX HEAD CAPSCREW / VIS H M06x50 8.8 BI FP	
2	110003	1	M06 GR08 LOCK NUT / ECROU FREIN M6 CL08 BI	
3	150007	2	FLANGE BUSHING Ø30 H16 DU / BAGUE EPAULEE Ø30 H16 DU	
4	SD0452	1	PULLEY MOUNT / SUPPORT POULIE	
5	US0375	1	PULLEY PIN / AXE DE SUPPORT POULIE	
6	US0479	1	LL12-66 PULLEY / POULIE LL12-66	

SECTION 4 - MASTS INSTALL / INSTALLATION MATS

FIGURE 4-4. PULLEY ASSEMBLY / ASSEMBLAGE SUPPORT POULIE LH12-66



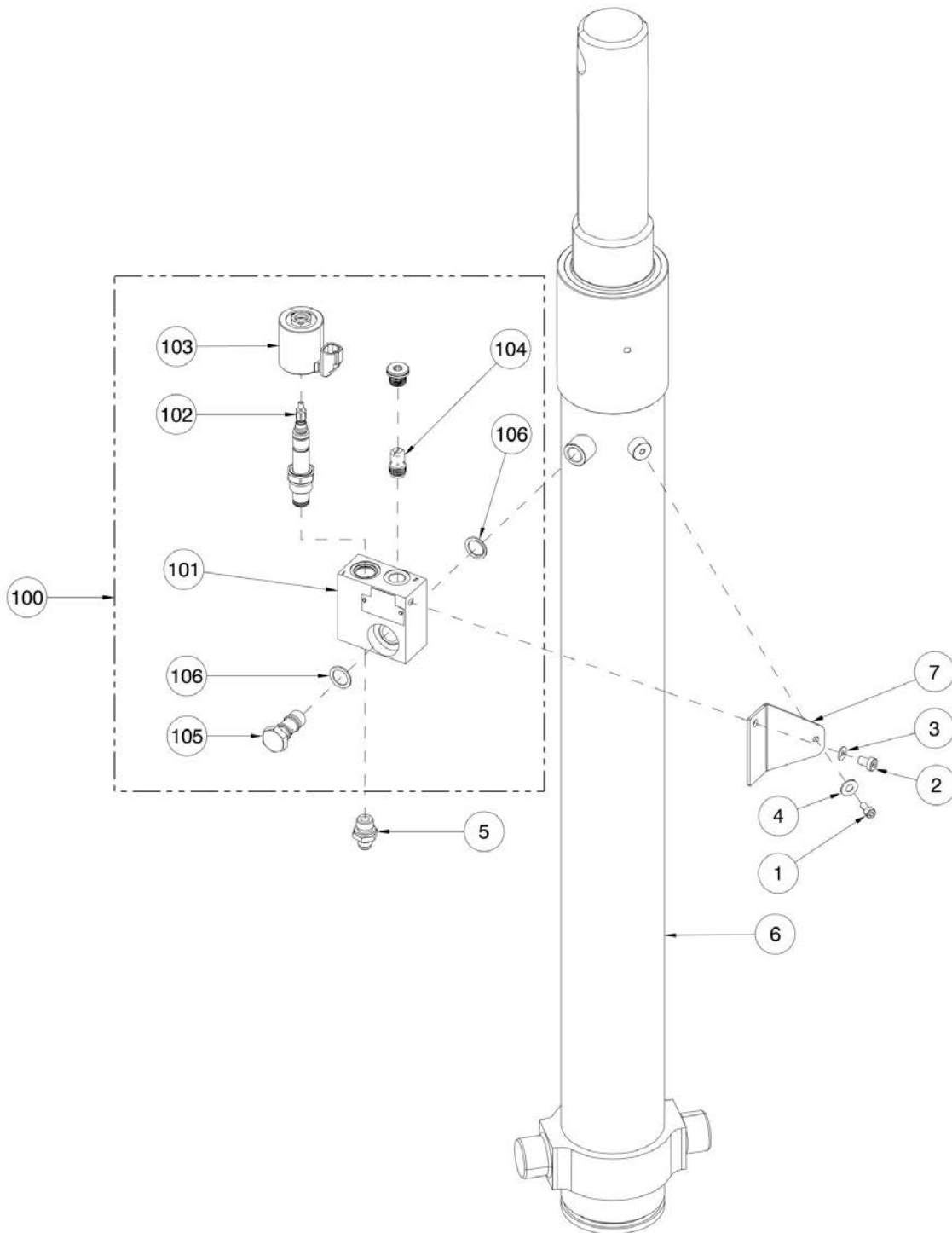
SECTION 4 - MASTS INSTALL / INSTALLATION MATS

FIGURE 4-4. PULLEY ASSEMBLY / ASSEMBLAGE SUPPORT POULIE LH12-66

ITEM	PART NUMBER	QTY	DESCRIPTION	REV
	SE0733		PULLEY ASSEMBLY LH12-66 TH=8mm; INFO - SE0733 / ASSEMBLAGE SUPPORT POULIE LH12-66 EP=8mm; INFO - SE0733	
1	100013	1	M06x50 8.8 HEX HEAD CAPSCREW / VIS H M06x50 8.8 BI FP	
2	110003	1	M06 GR08 LOCK NUT / ECROU FREIN M6 CL08 BI	
3	150006	2	FLANGE BUSHING Ø30 H26 DU / BAGUE EPAULEE Ø30 H26 DU	
4	SD0605	1	PULLEY MOUNT / SUPPORT POULIE	
5	US0460	1	PULLEY PIN / AXE DE POULIE	
6	US0478	1	PULLEY / POULIE	

SECTION 4 - MASTS INSTALL / INSTALLATION MATS

FIGURE 4-5. MAST CYLINDER EQUIPPED / VERIN DE MAT EQUIPE



SECTION 4 - MASTS INSTALL / INSTALLATION MATS

FIGURE 4-5. MAST CYLINDER EQUIPPED / VERIN DE MAT EQUIPE

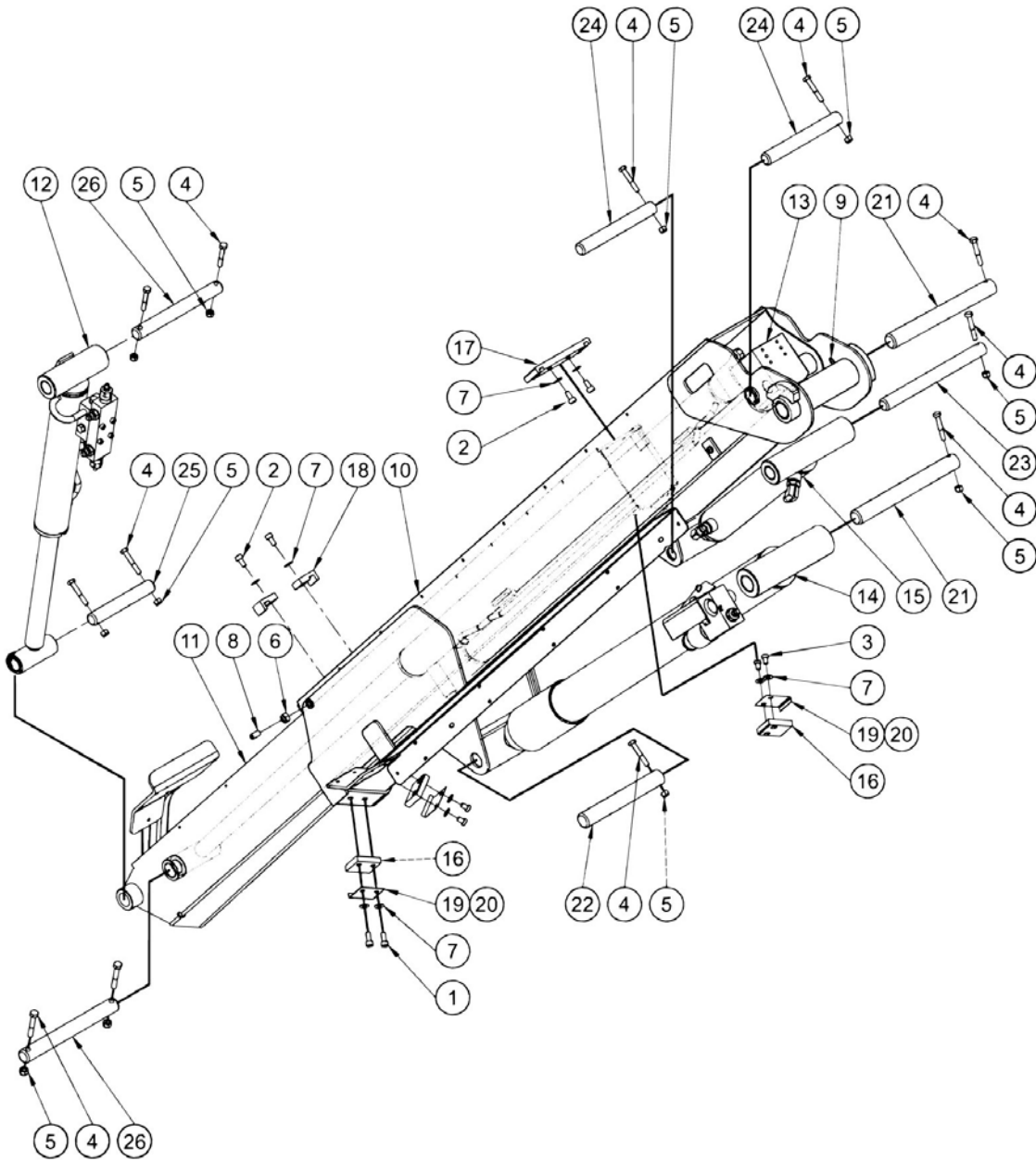
ITEM	PART NUMBER	QTY	DESCRIPTION	REV
	SE1156	Ref	MAST CYLINDER EQUIPPED; INFO - SE1156 / VERIN DE MAT EQUIPE; INFO - SE1156	
1	000014	1	M06x12 8.8 SOCKET HEAD MACH SCREW / VIS CHC M06x12 8.8 BI FT	
2	000059	1	M08x12 8.8 S SOCK HEAD MACH SCREW / VIS CHC M08x12 8.8 BI FT TETE BASSE	
3	120009	1	dD 06x14 LOCK WASHER / RONDELLE CONTACT dD 06x14 BI	
4	120010	1	dD 08x18 LOCK WASHER / RONDELLE CONTACT dD 08x18 BI	
5	300040	1	FITTING MALE BSPP3/8 MALE JIC9/16 / RACCORD MALE BSPP3/8 MALE JIC9/16	
6	ST3557	1	CYLINDER, MAST / VERIN DE MAT	
6	960110	1	SEAL KIT - ST3557 / KIT DE JOINTS - ST3557	
7	ST3613	1	PLATE, MAST CYL. VALVE GUARD / TOLE PROTECTION BLOC HYDRAULIQUE	
8		Ref	SEE ITEM 100 / VOIR REP 100	
100	520125	Ref	MANIFOLD, MAST CYLINDER / BLOC VERIN DE MAT	
101	952134	1	MANIFOLD, RAW MAST AND JIB / BLOC FORE MAT ET BRAS	
102	952135	1	VALVE, POPPET NC / DISTRIBUTEUR A CLAPET, NF	
103	952136	1	COIL, POPPET NC / BOBINE DISTRIBUTEUR	
104	952137	1	VALVE, FLOW CONTROL 12l /mn / REGULATEUR DE DEBIT 12 l/mn	
105	952160	1	SCREW-SPEC,BANJO 3/8" / RACCORD BANJO 3/8"	
106	952143	2	SEAL, SELF CENTRALISING BONDED, 3/8" / BAGUE BS AUTOCENTREE 3/8"	

SECTION 5 - BOOM INSTALL / INSTALLATION BRAS

SECTION 5 - BOOM INSTALL / INSTALLATION BRAS

SECTION 5 - BOOM INSTALL / INSTALLATION BRAS

FIGURE 5-1. BOOM ASSEMBLY T12E-T32E / ASSEMBLAGE BRAS T12E-T32E



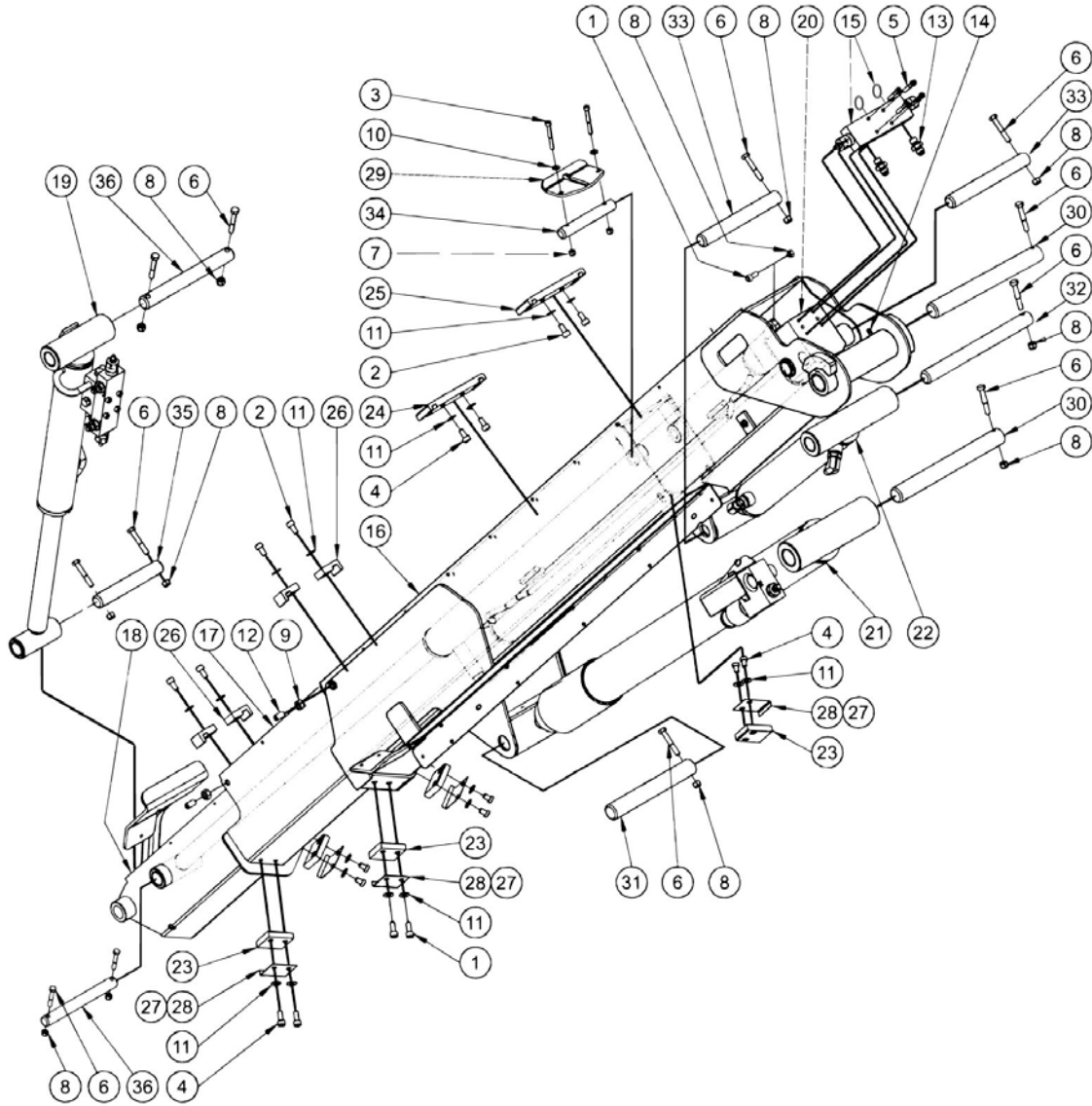
SECTION 5 - BOOM INSTALL / INSTALLATION BRAS

FIGURE 5-1. BOOM ASSEMBLY T12E-T32E / ASSEMBLAGE BRAS T12E-T32E

ITEM	PART NUMBER	QTY	DESCRIPTION	REV
0	SA0133	Ref	BOOM ASSY T12E-T32E / ASSEMBLAGE BRAS T12E-T32E	
1	000006	4	M08x20 8.8 SOCKET HEAD MACH SCREW / VIS CHC M08x20 8.8 BI FT	
2	000018	4	M08x16 8.8 SOCKET HEAD MACH SCREW / VIS CHC M08x16 8.8 BI FT	
3	000059	4	M08x12 8.8 SOCK HEAD MACH SCREW / VIS CHC M08x12 8.8 BI FT	
4	100007	12	M08x508.8 HEX HEAD CAP SCREW / VIS H M08x50 8.8 BI FP	
5	110004	12	LOCK NUT H M08 / ECROU FREIN M8 CL08 BI	
6	110008	2	NUT H M10 GR8 / ECROU H M10 CL08 BI	
7	120010	12	LOCK WASHER D08x18 / RONDELLE CONTACT dD08x18 BI	
8	130067	2	SCREW, SET-FLAT POINT-M10x20 / VIS HC M10x20 8.8 BI	
9	310099	1	GREASER / GRAISSEUR	
10	DL0878	1	BOOM, OUTER SECTION / BRAS, SECTION EXTERIEURE	
11	DL0881	1	BOOM, INNER SECTION,T12E / BRAS, SECTION INTERIEURE, T12E	
12	SE1153	1	CYL, SLAVE EQUIPPED; INFO - SE1153 / VERIN ESCLAVE EQUIPE; INFO - SE1153	
13	SE1154	1	CYL, TELESCOPE EQUIPPED; INFO - SE1154 / VERIN TELESCOPE EQUIPE; INFO - SE1154	
14	SE1157	1	CYL, JIB EQUIPPED; INFO - SE1157 / VERIN BRAS EQUIPE; INFO - SE1157	
15	SE1158	1	CYL, MASTER EQUIPPED; INFO - SE1158 / VERIN MAITRE EQUIPE; INFO - SE1158	
16	ST3523	4	PAD, SLIDE / PATIN DE GLISSEMENT	
17	ST3525	1	PAD, SLIDE TOP AND SIDE / PATIN DE GLISSEMENT DESSUS ET COTE	
18	ST3526	2	PAD, SLIDE SIDE / PATIN DE GLISSEMENT LATERAL	
19	ST3690	AR	SHIM, SPACER SLIDE PAD 1mm / CALE DE PATIN 1mm	
20	ST3691	AR	SHIM, SPACER SLIDE PAD 0.5mm / CALE DE PATIN 0.5mm	
21	US0458	2	PIN,D30-L265 / AXE, D30-L265	
22	US0459	1	PIN,D30-L205 / AXE, D30-L205	
23	US0490	1	PIN,D25-L265 / AXE, D25-L265	
24	US0492	2	PIN,D25-L195 / AXE, D25-L195	
25	US0580	1	PIN,D25-L160 / AXE, D25-L160	
26	US0581	2	PIN,D25-L223 / AXE, D25-L223	

SECTION 5 - BOOM INSTALL / INSTALLATION BRAS

FIGURE 5-2. BOOM ASSEMBLY T12E PLUS / ASSEMBLAGE BRAS T12E PLUS



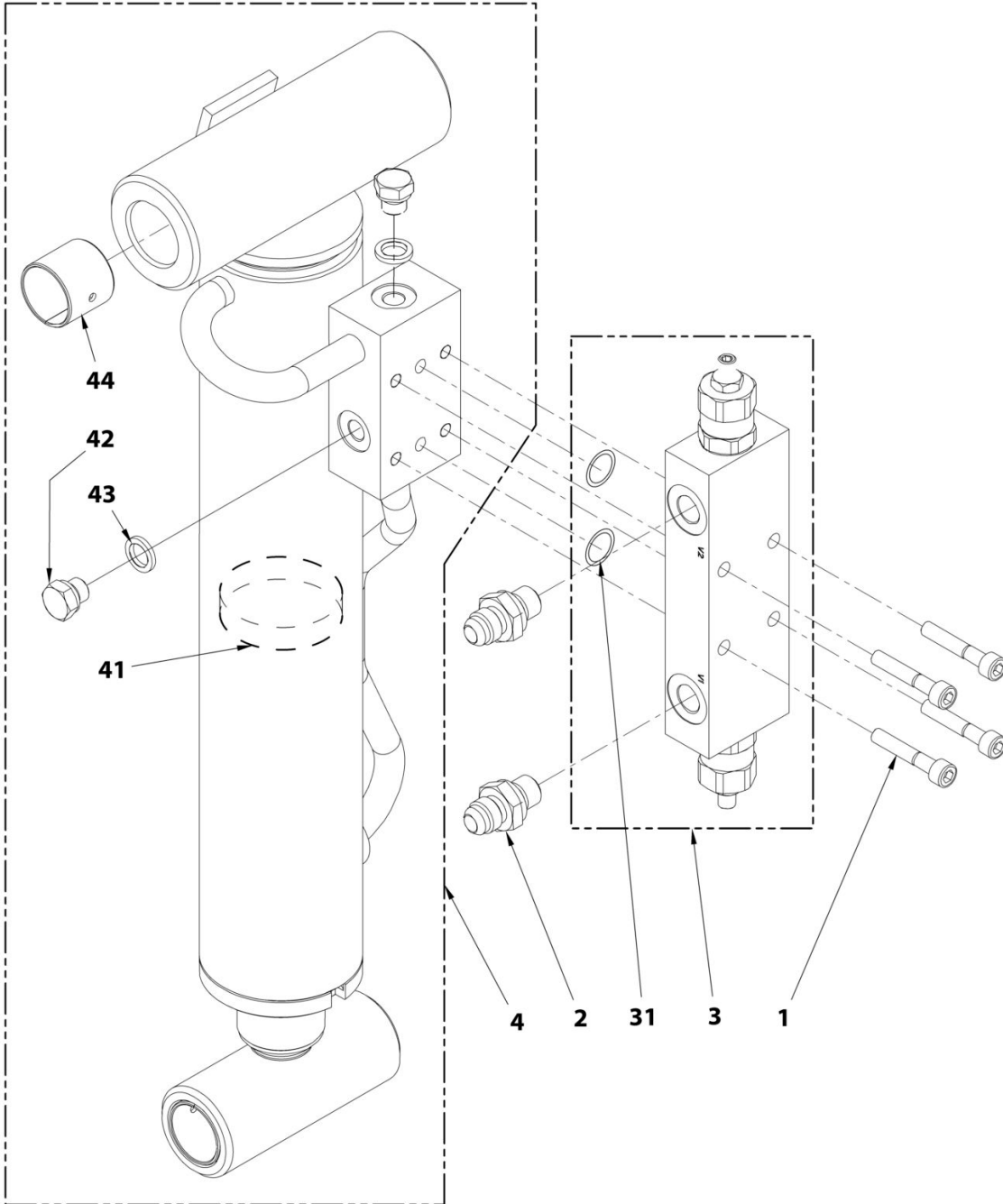
SECTION 5 - BOOM INSTALL / INSTALLATION BRAS

FIGURE 5-2. BOOM ASSEMBLY T12E PLUS / ASSEMBLAGE BRAS T12E PLUS

ITEM	PART NUMBER	QTY	DESCRIPTION	REV
0	SA0134	Ref	BOOM ASSY, T12E PLUS / ASSEMBLAGE BRAS T12E PLUS	
1	000006	5	M08x20 8.8 SOCKET HEAD MACH SCREW / VIS CHC M08x20 8.8 BI FT	
2	000018	6	M08x16 8.8 SOCKET HEAD MACH SCREW / VIS CHC M08x16 8.8 BI FT	
3	000026	2	M06X50 8.8 SOCKET HEADCAP SCREW / VIS CHC M06x50 8.8 BI FP	
4	000059	14	M08x12 8.8 S SOCK HEAD MACH SCREW / VIS CHC M08x12 8.8 BI FT TETE BASSE	
5	000077	4	M06x35 8.8 SOCKET HEAD CAPSCREW / VIS CHC M06x35 8.8 BI FP	
6	100007	12	M08X80 8.8 HEX HEAD CAP CREW / VIS H M08X80 8.8 BI FP	
7	110003	2	M06 GR08 LOCK NUT / ECROU FREIN M6 CL08 BI	
8	110004	13	M08 GR08 LOCK NUT / ECROU FREIN M8 CL08 BI	
9	110008	4	M10 GR08 HEX NUT / ECROU H M10 CL08 BI	
10	120009	2	dD 06x14 LOCK WASHER / RONDELLE CONTACT dD 06x14 BI	
11	120010	24	dD 08x18 LOCK WASHER / RONDELLE CONTACT dD 08x18 BI	
12	130067	4	SCREW, SET FLATPOINT M10X20 / VIS HC M10x20 8.8 BI	
13	300025	2	FITTING MALE BSPP1/4-MALE JIC9/16 / RACCORD MALE BSPP1/4-MALE JIC9/16	
14	310099	1	GREASER / GRAISSEUR	
15	520126	1	MANIFOLD, TELESCOPE / DISTRIBUTEUR TELESCOPE	
15	952163	2	SEAL,O-RING 9.93 - 2.62 / JOINT TORIQUE 9.93 - 2.62	
16	DL0878	1	BOOM. OUTER SECTION / BRAS, SECTION EXTERIEURE	
17	DL0879	1	BOOM. MID SECTION / BRAS, SECTION INTERMEDIAIRE	
18	DL0880	1	BOOM. INNER SECTION / BRAS, SECTION INTERIEURE	
19	SE1153	1	CYL, SLAVE EQUIPPED; INFO - SE1153 / VERIN ESCLAVE EQUIPE; INFO - SE1153	
20	SE1155	1	CYL, DUAL EQUIPPED, T12EP; INFO - SE1155 / VERIN DOUBLE TELESCOPE EQUIPE; INFO - SE1155	
21	SE1157	1	CYL, JIG EQUIPPED; INFO - SE1157 / VERIN BRAS EQUIPE; INFO - SE1157	
22	SE1158	1	CYL, MASTER EQUIPPED; INFO - SE1158 / VERIN MAITRE EQUIPE; INFO - SE1158	
23	ST3523	8	PAD, SLIDE / PATIN DE GLISSEMENT	
24	ST3524	1	PAD, SLIDE / PATIN DE GLISSEMENT	
25	ST3525	1	PAD, SLIDE / PATIN DE GLISSEMENT	
26	ST3526	4	PAD, SLIDE / PATIN DE GLISSEMENT	
27	ST3690	AR	SHIM, SPACER SIDE PAD 1mm / CALE DE PATIN 1mm	
28	ST3691	AR	SHIM, SPACER SIDE PAD 0.5mm / CALE DE PATIN 0.5mm	
29	ST3693	1	BRACKET, TELESCOPIC CYLINDER / SUPPORT, VERIN TELESCOPE	
30	US0458	2	PIN, D30-L265 / AXE, D30-L265	
31	US0459	1	PIN, D30-L205 / AXE, D30-L205	
32	US0490	1	PIN, D30-L265 / AXE, D25-L265	
33	US0492	2	PIN, D30-L195 / AXE, D25-L195	
34	US0579	1	PIN, D20-L132 / AXE, D20-L132	
35	US0580	1	PIN, D25-L160 / AXE, D25-L160	
36	US0581	2	PIN, D25-L223 / AXE, D25-L223	

SECTION 5 - BOOM INSTALL / INSTALLATION BRAS

FIGURE 5-3. SLAVE CYLINDER EQUIPPED / VERIN ESCLAVE EQUIPE



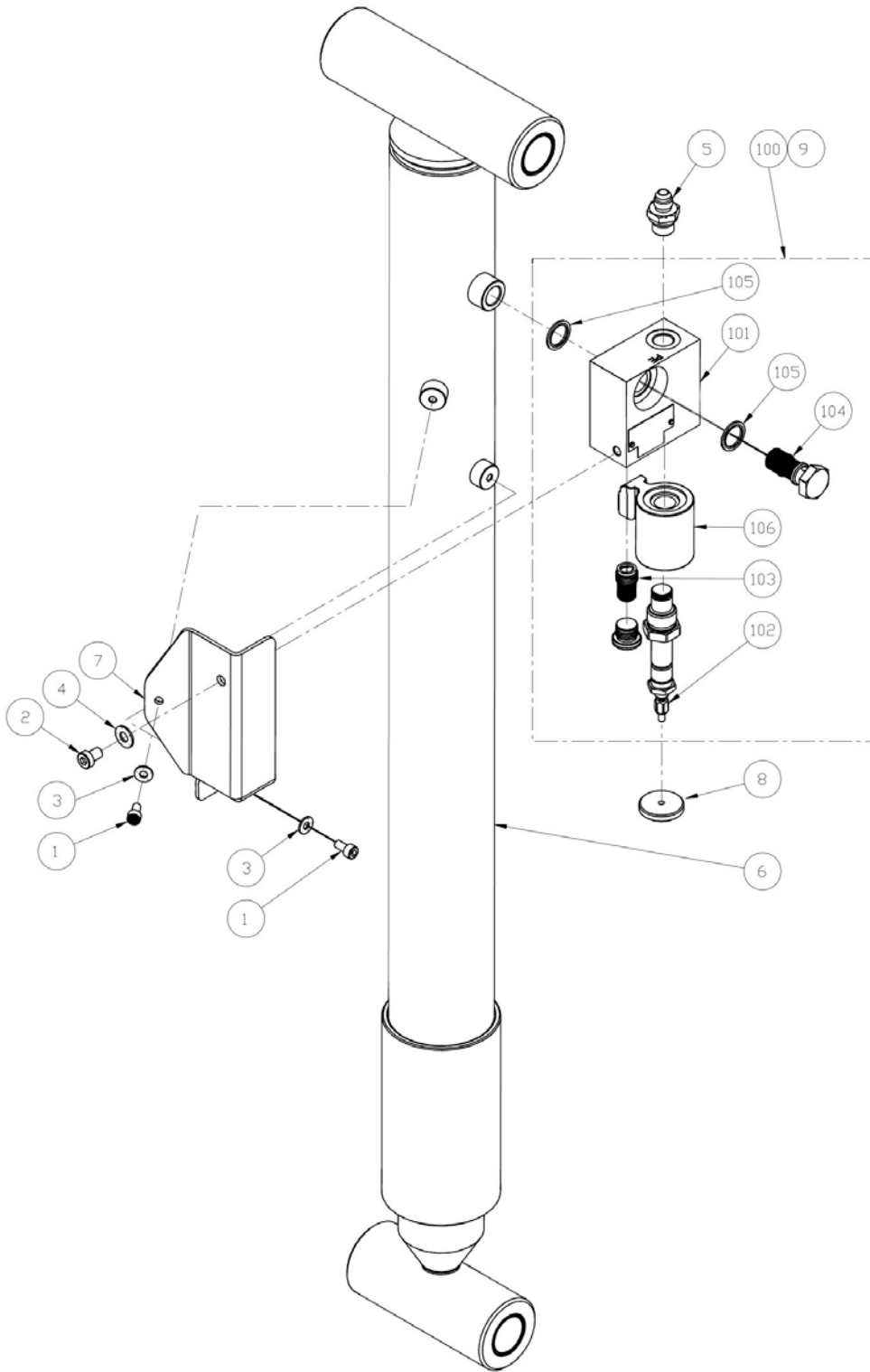
SECTION 5 - BOOM INSTALL / INSTALLATION BRAS

FIGURE 5-3. SLAVE CYLINDER EQUIPPED / VERIN ESCLAVE EQUIPE

ITEM	PART NUMBER	QTY	DESCRIPTION	REV
0	SE1153	Ref	SLAVE CYLINDER EQUIPPED / VERIN ESCLAVE EQUIPE	
1	000077	4	M06x35 8.8 SOCKET HEAD CAPSCREW / VIS CHC M06x35 8.8 BI FP	
2	300025	2	FITTING MALE BSPP1/4-MALE JIC9/16 / RACCORD MALE BSPP1/4-MALE JIC9/16	
3	520127	1	MANIFOLD, SLAVE / BLOC VERIN ESCLAVE	
31	952163	2	SEAL,O-RING 9.93 - 2.62 / JOINT TORIQUE 9.93 - 2.62	
4	ST3499	1	CYLINDER, SLAVE / VERIN ESCLAVE	
41	960102	1	SEAL KIT - ST3499 / KIT DE JOINT - ST3499	
42	960105	2	DRAINING SCREW / VIS DE PURGE	
43	960106	2	DRAINING SCREW SEAL / JOINT VIS DE PURGE	
44	150002	4	BUSHING Ø25 H25 DX / BAGUE Ø25 H25 DX	

SECTION 5 - BOOM INSTALL / INSTALLATION BRAS

FIGURE 5-4. JIB CYLINDER EQUIPPED / VERIN BRAS EQUIPE



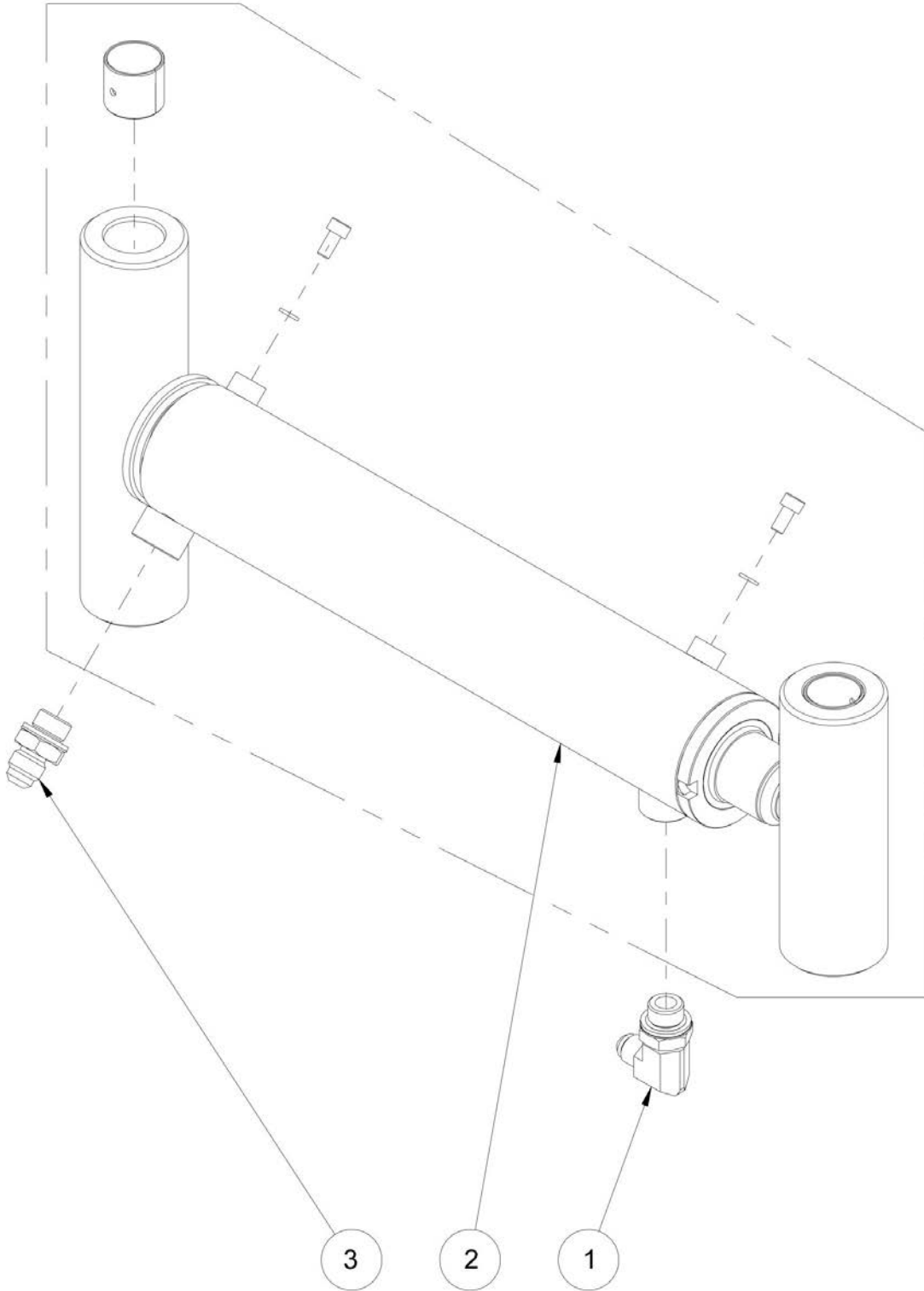
SECTION 5 - BOOM INSTALL / INSTALLATION BRAS

FIGURE 5-4. JIB CYLINDER EQUIPPED / VERIN BRAS EQUIPE

ITEM	PART NUMBER	QTY	DESCRIPTION	REV
0	SE1157	Ref	JIB CYLINDER EQUIPPED / VERIN BRAS EQUIPED	
1	000014	2	M06x12 8.8 SOCKET HEAD MACH SCREW / VIS CHC M06x12 8.8 BI FT	
2	000059	1	M08X12 8.8 SOCKET HEAD MACH SCREW / VIS CHC M08x12 8.8 BI FT	
3	120009	2	dD 06x14 LOCK WASHER / RONDELLE CONTACT dD 06x14 BI	
4	120010	1	dD 08x18 LOCK WASHER / RONDELLE CONTACT dD 08x18 BI	
5	300040	1	FITTING MALE BSPP3/8 MALE JIC9/16 / RACCORD MALE BSPP3/8 MALE JIC9/16	
6	ST3500	1	CYLINDER JIB / VERIN DE BRAS	
6	960109	1	SEAL KIT - ST3500 / KIT DE JOINT ST3500	
6	150001	4	BUSHING Ø30 H30 DX / BAGUE Ø30 H30 DX	
7	ST3612	1	PLATE, JIB CYLINDER. VALVE GUARD / PROTECTION VALVE VERIN DE BRAS	
8	US0587	1	RING, CYLINDER VALVE / BAGUE BLOC VERIN DE BRAS	
9		Ref	SEE ITEM 100 / VOIR REP 100	
100	520128	Ref	MANIFOLD, JIB / BLOC VERIN DE BRAS	
101	952134	1	MANIFOLD, RAW MAST AND JIB / BLOC FORE MAT ET BRAS	
102	952135	1	VALVE, POPPET NC / DISTRIBUTEUR A CLAPET, NF	
103	952138	1	VALVE, FLOW CONTROL 8L / MIN / REGULATEUR DE DEBIT 8L / MIN	
104	952160	1	SCREW-SPEC,BANJO 3/8" / RACCORD BANJO 3/8"	
105	952143	2	SEAL, SELF CENTRALISING BONDED, 3/8" / BAGUE BS AUTOCENTREE 3/8"	
106	952136	1	COIL, POPPET NC / BOBINE DISTRIBUTEUR	

SECTION 5 - BOOM INSTALL / INSTALLATION BRAS

FIGURE 5-5. MASTER CYLINDER EQUIPPED / VERIN MAITRE EQUIPE



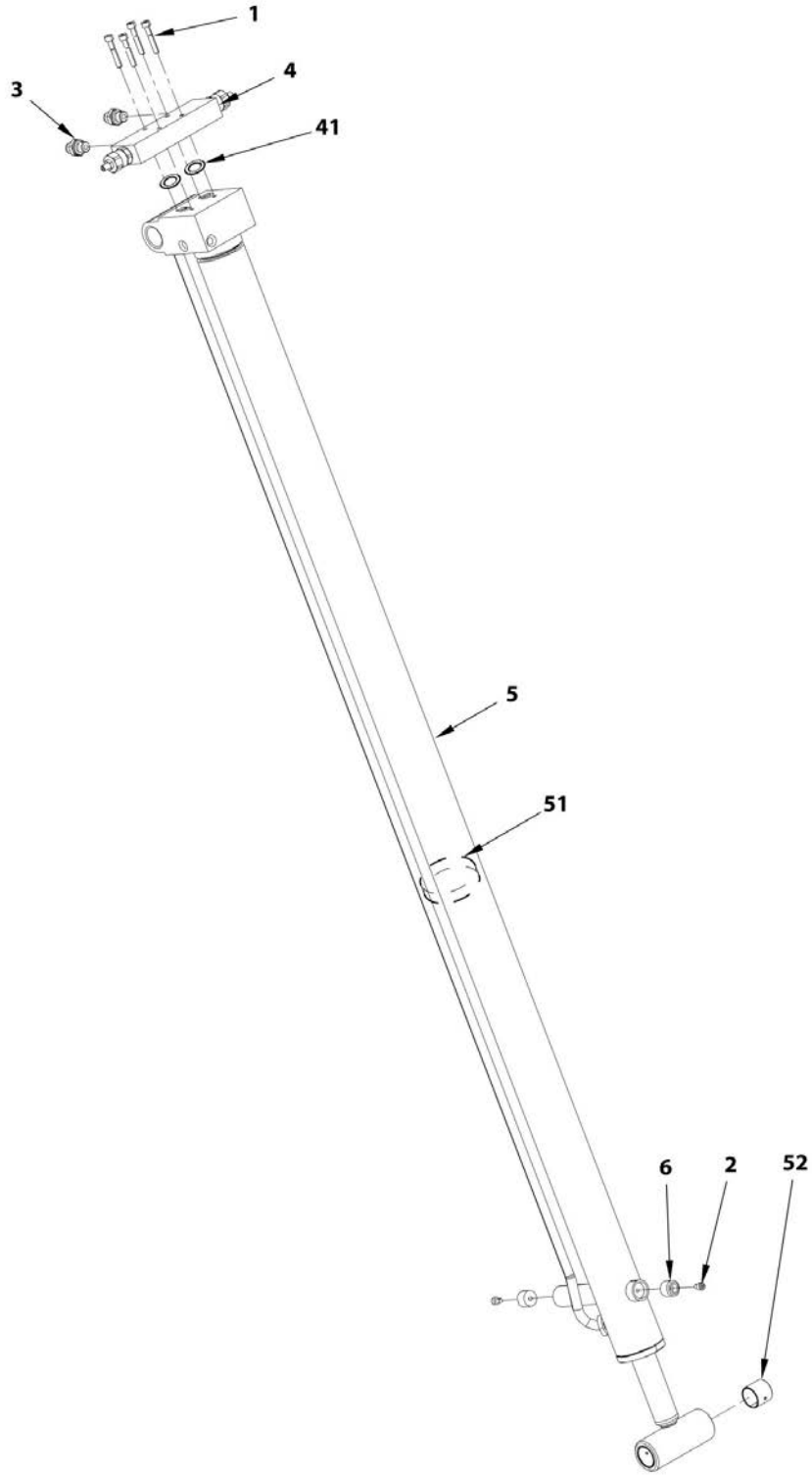
SECTION 5 - BOOM INSTALL / INSTALLATION BRAS

FIGURE 5-5. MASTER CYLINDER EQUIPPED / VERIN MAITRE EQUIPE

ITEM	PART NUMBER	QTY	DESCRIPTION	REV
0	SE1158	Ref	MASTER CYLINDER EQUIPPED / VERIN MAITRE EQUIPE	
1	300061	1	90° ELBOW MALE BSPP 3/8-MALE JIC 9/16 / COUDE 90° MALE BSPP3/8-MALE JIC9/16	B
2	ST3498	1	CYLINDER MASTER / VERIN MAITRE	
2	960102	1	SEAL KIT - ST3498 / KIT DE JOINT - ST3498	
2	960103	2	DRAINING SCREW / VIS DE PURGE	
2	960104	2	DRAINING SCREW SEAL / JOINT VIS DE PURGE	
2	150002	4	BUSHING Ø25 H25 DX / BAGUE Ø25 H25 DX	
3	300040	1	FITTING MALE BSPP3/8 MALE JIC9/16 / RACCORD MALE BSPP3/8 MALE JIC9/16	B

SECTION 5 - BOOM INSTALL / INSTALLATION BRAS

FIGURE 5-6. TELESCOPE CYLINDER EQUIPPED / VERIN TELESCOPE EQUIPE



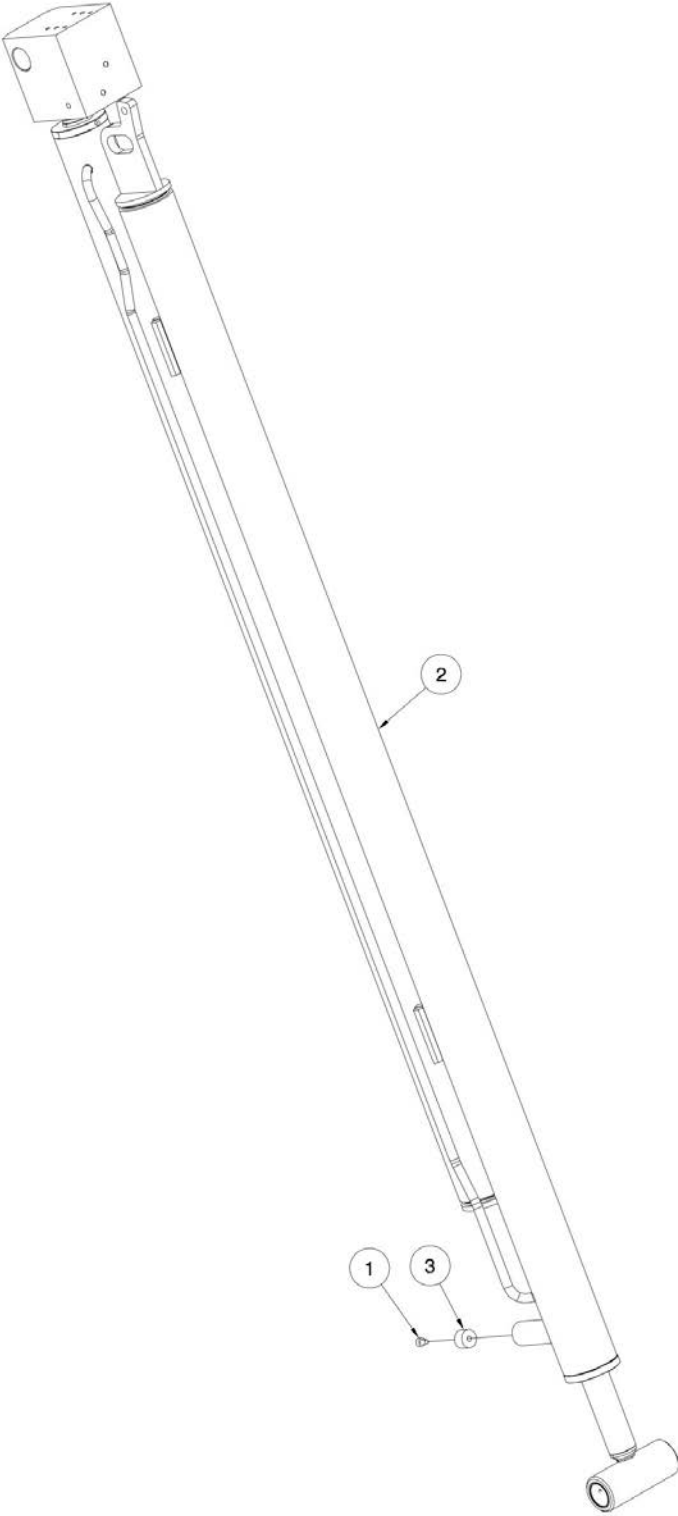
SECTION 5 - BOOM INSTALL / INSTALLATION BRAS

FIGURE 5-6. TELESCOPE CYLINDER EQUIPPED / VERIN TELESCOPE EQUIPE

ITEM	PART NUMBER	QTY	DESCRIPTION	REV
0	SE1154	Ref	TELESCOPE CYLINDER EQUIPPED / VERIN TELESCOPE EQUIPED	C
1	000077	4	M06x35 8.8 SOCKET HEAD CAPSCREW / VIS CHC M06x35 8.8 BI FP	
2	000089	2	M05x08 8.8 SOCKET HEAD MACH SCREW / VIS CHC M05x08 8.8 BI FT	
3	300025	2	FITTING MALE BSPP1/4-MALE JIC9/16 / RACCORD MALE BSPP1/4-MALE JIC9/16	
4	520126	1	MAINFOLD, TELESCOPE / BLOC VERIN DE TELESCOPE	
41	952163	1	O-RING 9.93x2.62 / JOINT TORIQUE 9.93x2.62	
5	ST3501	1	CYLINDER, TELESCOPE T12E-T32E / VERIN DE TELESCOPE T12E-T32E	
51	960107	1	SEAL KIT - ST3501 / KIT DE JOINT - ST3501	
52	150002	2	BUSHING Ø25 H25 DX / BAGUE Ø25 H25 DX	
6	US0588	2	ROLLER, SLIDING / BUTEE DE GLISSEMENT	

SECTION 5 - BOOM INSTALL / INSTALLATION BRAS

FIGURE 5-7. DUAL CYLINDER EQUIPPED / VERIN DOUBLE TELESCOPE EQUIPE



SECTION 5 - BOOM INSTALL / INSTALLATION BRAS

FIGURE 5-7. DUAL CYLINDER EQUIPPED / VERIN DOUBLE TELESCOPE EQUIPE

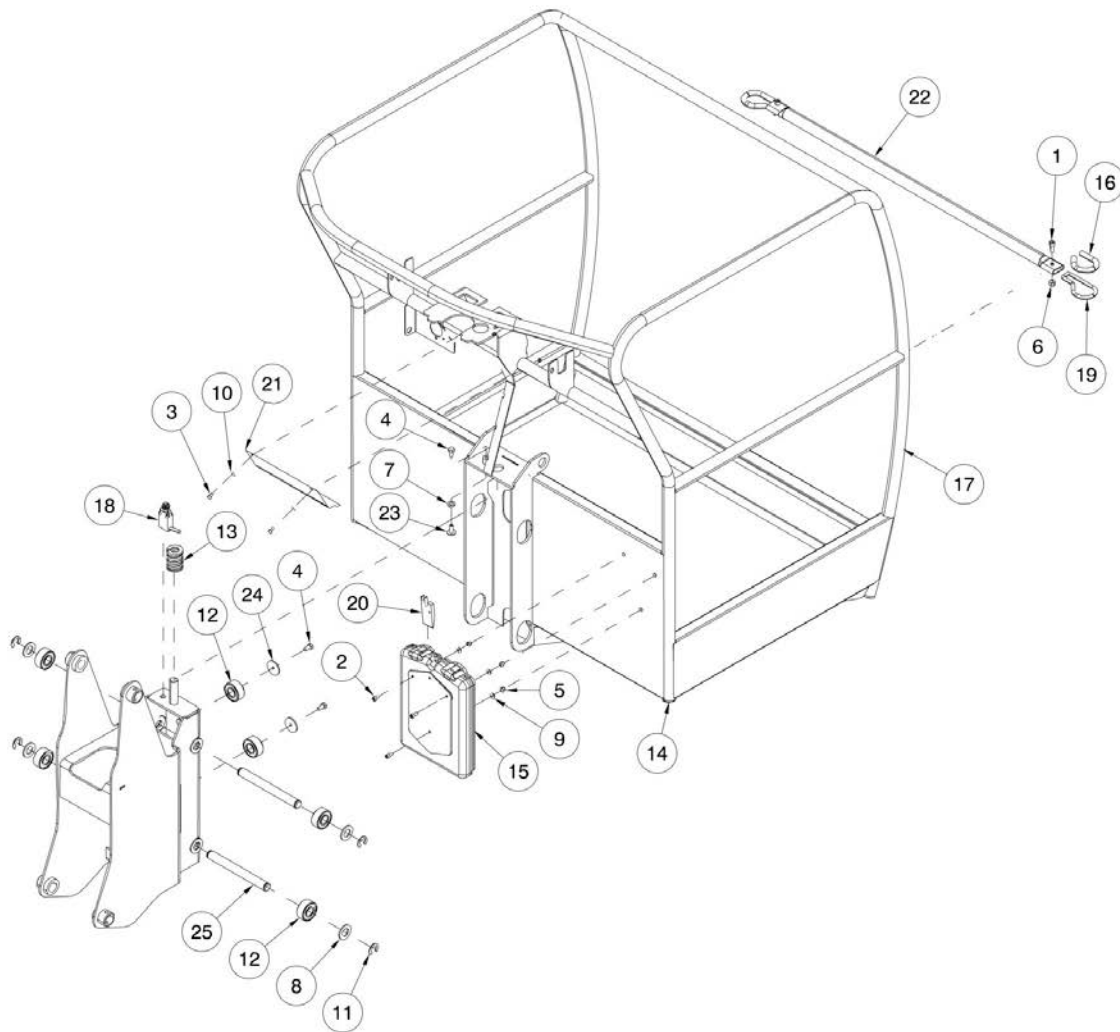
ITEM	PART NUMBER	QTY	DESCRIPTION	REV
0	SE1155	Ref	DUAL CYLINDER EQUIPPED / VERIN DOUBLE TELESCOPE EQUIPE	
1	000089	1	M05x08 8.8 SOCKET HEAD MACH SCREW / VIS CHC M05x08 8.8 BI FT	
2	ST3497	1	CYLINDER DUAL / VERIN DOUBLE	
2	960108	1	SEAL KIT - ST3497 / KIT DE JOINT - ST3497	
2	150002	2	BUSHING Ø25 H25 DX / BAGUE Ø25 H25 DX	
3	US0588	1	ROLLER, SLIDING / PATIN DE GLISSEMENT	

SECTION 6 - PLATFORM INSTALL / INSTALLATION PLATE-FORME

SECTION 6 - PLATFORM INSTALL / INSTALLATION PLATE-FORME

SECTION 6 - PLATFORM INSTALL / INSTALLATION PLATE-FORME

FIGURE 6-1. PLATFORM INSTALL WITH LSS / INSTALLATION PLATE-FORME AVEC SURCHARGE



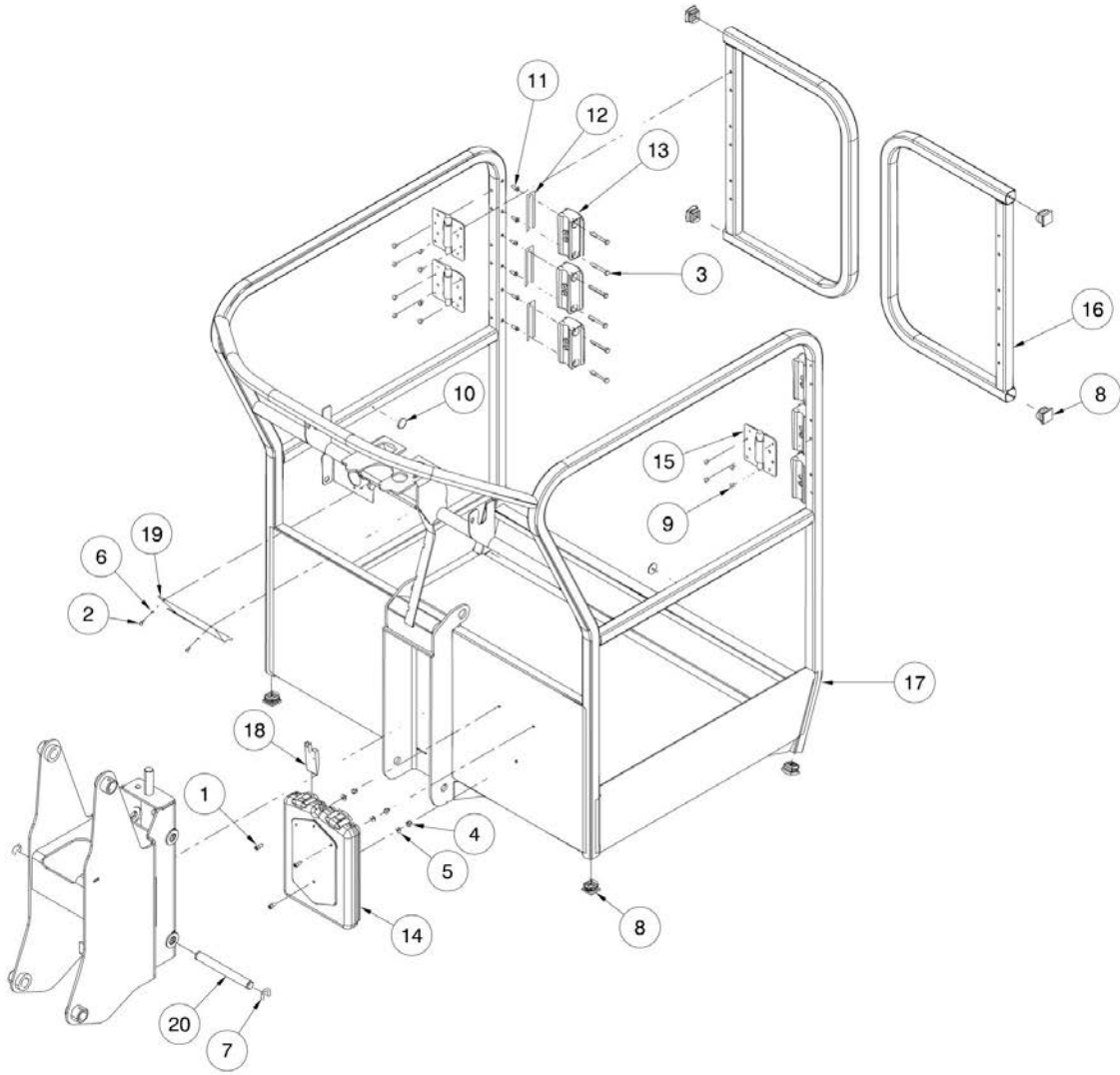
SECTION 6 - PLATFORM INSTALL / INSTALLATION PLATE-FORME

FIGURE 6-1. PLATFORM INSTALL WITH LSS / INSTALLATION PLATE-FORME AVEC SURCHARGE

ITEM	PART NUMBER	QTY	DESCRIPTION	REV
0	SA0124	Ref	PLAT FORM, DROP BAR (W/LSS) / PLATE-FORME, LISSE COULISSANTE (AVEC SURCHARGE)	
1	000006	2	M08X20 8.8 SOCKET HEAD MACHSCREW / VIS CHC M08x20 8.8 BI FT	
2	000014	3	M06X12 8.8 SOCKET HEAD MACHSCREW / VIS CHC M06x12 8.8 BI FT	
3	000090	2	M04X08 8.8 SOCKET HEAD MACHSCREW / VIS CHC M04x08 8.8 BI FT	
4	100054	3	M08X16_8.8 HEX HEAD MACHINE_SCREW / VIS H M08x16 8.8 BI FT	
5	110003	3	LOCK NUT H M6 GR08 / ECROU FREIN M6 CL08 BI	
6	110004	2	LOCK NUT H M8 GR08 / ECROU FREIN M8 CL08 BI	
7	110022	1	NUT HM M8 GR04 / ECROU Hm M08 CL04 ZI	
8	120003	4	WASHER D20X37 / RONDELLE D20X37	
9	120009	3	LOCK WASHER D06X14 / RONDELLE CONTACT dD 06x14 BI	
10	120024	2	LOCK WASHER D04X10 / RONDELLE CONTACT M4 BI	
11	130029	4	CIRCLIP, BENZING / CIRCLIP	
12	150061	6	BALL BEARING, DBLE RAW 3204 / ROULEMENT A BILLE, DOUBLE RANGEE 3204	
13	160033	1	SPRING OVER LOAD G40 GR051 / RESSORT DE COMPRESSION	
14	400048	4	CAP Ø30 / BOUCHON	
15	8990147	1	HOLDER MANUAL / BOITE PORTE-DOCUMENTS	
16	280023	0.36 m	BLACK SHEATH / GAINÉ DE PROTECTION (qté en mètre)	
17	DL0885	1	PLATFORM WELDMENT T12E/T12E PLUS / PLATE-FORME T12E/T12E PLUS	
18	PC0468	1	HARNESS, LOAD SENSING SWITCH / FAISCEAU CAPTEUR DE SURCHARGE	
19	ST0736	2	BAR, FLAP HOOP / ANNEAU PORTILLON	
20	ST2741	1	SHIM, CHECKING / CALE DE VERIFICATION	
21	ST3234	1	PLATE, CONNECTOR BOX COVER / CARTER CONNECTEURS BOITIER	
22	ST3521	1	TUBE, GATE / TUBE LISSE	
23	US0236	1	SCREW, ADJUSTMENT / SCREW, ADJUSTMENT	
24	US0531	2	WASHER-SPEC, D8XD37XTH.3 / RONDELLE D8xD37xEP3	
25	US0570	2	PIN BEARING MOUNT / AXE ROULEMENT	

SECTION 6 - PLATFORM INSTALL / INSTALLATION PLATE-FORME

FIGURE 6-2. PLATFORM INSTALL WITHOUT LSS / INSTALLATION PLATE-FORME SANS SURCHARGE



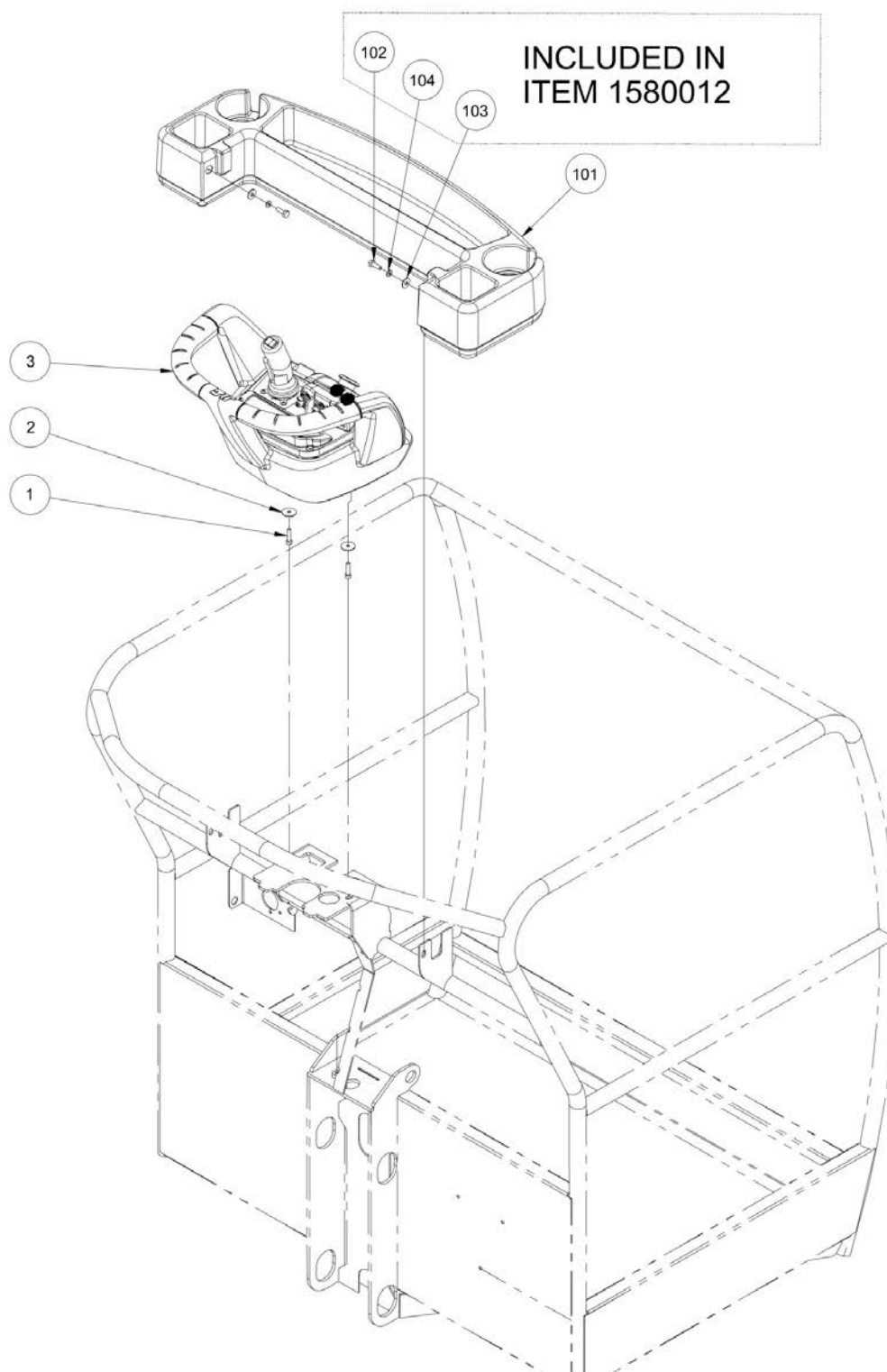
SECTION 6 - PLATFORM INSTALL / INSTALLATION PLATE-FORME

FIGURE 6-2. PLATFORM INSTALL WITHOUT LSS / INSTALLATION PLATE-FORME SANS SURCHARGE

ITEM	PART NUMBER	QTY	DESCRIPTION	REV
0	SA0125	Ref	PLATFORM, SWING GATES (W/O LSS) / PANIER, PORTES PIVOTANTES (SANS SURCHARGE)	
1	000014	3	M06X12 8.8 SOCKET HEAD MACHSCREW / VIS CHC M06x12 8.8 BI FT	
2	000090	2	M04X08 8.8 SOCKET HEAD MACHSCREW / VIS CHC M04x08 8.8 BI FT	
3	100013	12	M06x50 8.8 HEX HEAD CAPSCREW / VIS H M06X50 8.8 BI FP	
4	110003	3	LOCK NUT H M6 GR08 / ECROU FREIN M6 CL08 BI	
5	120009	3	LOCK WASHER D06X14 / RONDELLE CONTACT dD 06x14 BI	
6	120024	2	LOCK WASHER D04X10 / RONDELLE CONTACT M4 BI	
7	130029	2	CIRCLIP BENZING / CIRCLIP	
8	400099	8	CAP, TUBE / BOUCHON TUBE	
9	2080040	24	HUCK MANGALOK FASTENER / ATTACHE BORGNE	
10	3340962	2	PAD, ARM REST / BUTEE D'ARRET	
11	3820037	12	RIVET, NUT M6 / ECROU RIVET M6	
12	4071095	6	SHIM, SSV-10 PLATFORM GATE / CALE PORTE PANIER	
13	4220309	6	STOP, SWING GATE / BUTEE PORTE PIVOTANTE	
14	8990147	1	HOLDER MANUAL / BOITE PORTE-DOCUMENTS	
15	2600281	6	HINGE, SELF CLOSING STAINLESS / CHARNIERE INOX FERMETURE AUTOMATIQUE	
16	DL0886	2	GATE, PLATFORM / PORTE PANIER	
17	DL0900	1	PLATFORM WELDMENT W/O LSS / PANIER SANS SURCHARGE	
18	ST2741	1	SHIM, CHECKING / CALE DE VERIFICATION	
19	ST3234	1	PLATE, CONNECTOR BOX COVER / CARTER CONNECTEURS BOITIER	
20	US0578	1	PIN, PLATFORM SUPPORT / AXE SUPPORT PANIER	

SECTION 6 - PLATFORM INSTALL / INSTALLATION PLATE-FORME

FIGURE 6-3. CONSOLE AND CONTAINER INSTALL / INSTALLATION BOITIER DE COMMANDE ET BOITE A OUTIL



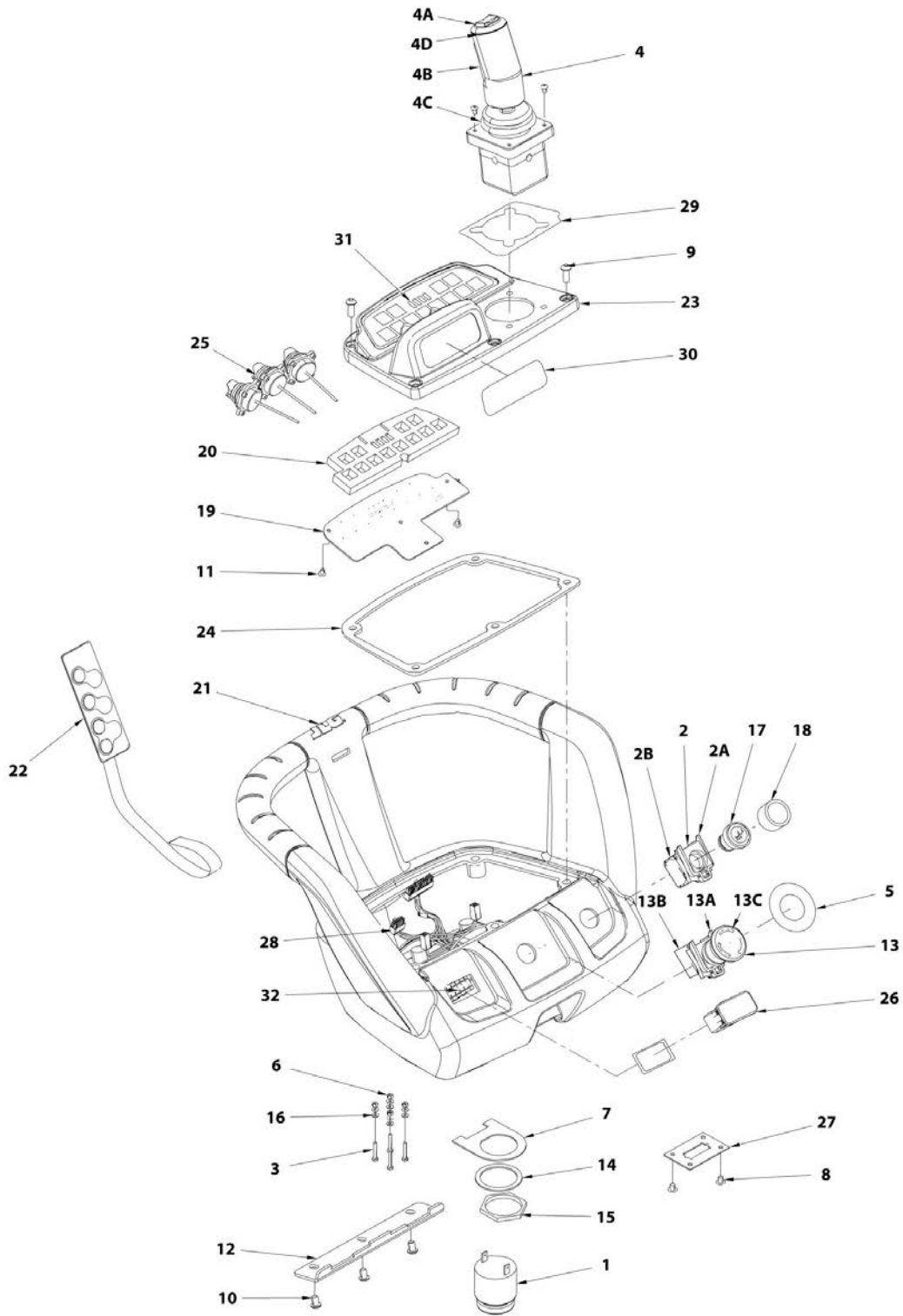
SECTION 6 - PLATFORM INSTALL / INSTALLATION PLATE-FORME

FIGURE 6-3. CONSOLE AND CONTAINER INSTALL / INSTALLATION BOITIER DE COMMANDE ET BOITE A OUTIL

ITEM	PART NUMBER	QTY	DESCRIPTION	REV
		Ref	CONSOLE AND CONTAINER INSTALL; INFO - SP0965 / INSTALLATION BOITIER DE COMMANDE ET BOITE A OUTIL; INFO - SP0965	
0	SA0121	Ref	INSTALL, PLATFORM CONSOLE / ASSEMBLAGE BOITIER DE COMMANDE	
1	000008	2	M06x25 8.8 SOCKET HEAD MACH SCREW / VIS CHC M06x25 8.8 BI FT	
2	120004	2	D06X25 LARGE WASHER / RONDELLE dD 06x25x1.2 BI	
3	1001154664	1	ELEC ASSY, PLATFORM CONTROL BOX; INFO - 1001154664 / ASSEMBLAGE ELECTRIQUE, BOITIER DE COMMANDE PANIER; INFO - 1001154664	
100	SA0020	Ref	INSTALL, CONTAINER STORAGE TRAY / INSTALLATION BOITE A OUTILS	
101	1580012	1	CONTAINER, STORAGE TRAY / BOITE A OUTILS	
102	0641406	2	HEX HD CAPSCREW, 1/4-20 x 3/4 LG / VIS H 1/4-20 x 3/4 LG	
103	4751400	2	WASHER, 1/4" DIA PLAIN STL., WIDE / RONDELLE LARGE D, 1/4"	
104	4761400	2	WASHER, 1/4" DIA ZINC PLT LOCK / RONDELLE FREIN D, 1/4" BI	

SECTION 6 - PLATFORM INSTALL / INSTALLATION PLATE-FORME

FIGURE 6-4. PLATFORM CONSOLE ASSEMBLY / ASSEMBLAGE BOITIER HAUT



SECTION 6 - PLATFORM INSTALL / INSTALLATION PLATE-FORME

FIGURE 6-4. PLATFORM CONSOLE ASSEMBLY / ASSEMBLAGE BOITIER HAUT

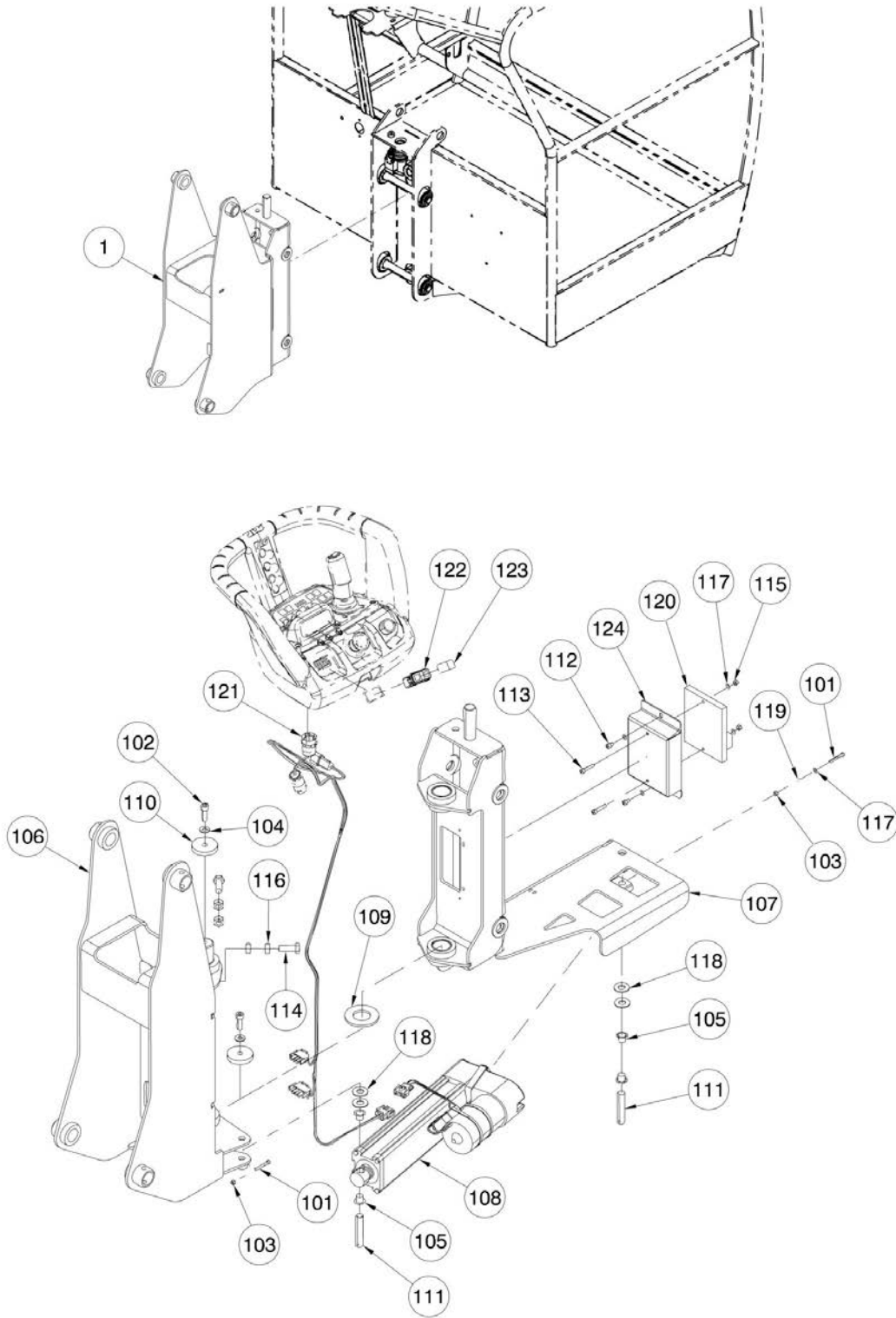
ITEM	PART NUMBER	QTY	DESCRIPTION	REV
0	1001154664	Ref	ELEC ASSY PLATFORM CONTROL BOX / BOITIER HAUT	D
1	0140011	1	ALARM, WARNING / AVERTISSEUR SONORE	
2	240056	1	SWITCH, NO CONTACT BASE / EMBASE CONTACT NO	
2A	240076	1	SWITCH BASE / EMBASE CONTACT	
2B	240058	1	NO CONTACT BLOC / CONTACT NO	
3	0760310	4	M03X20 8.8 HEX HD CAP SCREW / VIS H M03X20 8.8 BI FT	
4	1600458	1	CONTROLLER, JOYSTICK WITH ROCKER / JOYSTICK	
4A	70000084	1	CAP, RUBBER BOOT / PROTECTION CAHOUTCHOU	
4A	7027365	1	ACTUATOR HANDLE / ACTIONNEUR A BASCULE	
4B	7027367	1	SWITCH ENABLER / CONTACT VALIDATION	
4B	7027765	1	LEVER ENABLER / GACHETTE VALIDATION	
4C	70000682	1	RUBBER BELLOWS / SOUFFLET CAHOUTCHOU	
4D	7027766	1	BOOT RETAINING RING / ANNEAU DE BLOCAGE	
5	1706898	1	DECAL, EMS / AUTOCOLLANT ARRET D'URGENCE	
6	3290305	4	M03 GR08 LOCK NUT / ECROU FREIN M03 CL08 BI	
7	3575796	1	PLATE, D SLOT / PLAQUE ANTI-ROTATION	
8	3820019	4	RIVET, POP D4.75 L11.4 / RIVET POP D4.75 L11.4	
9	3900357	5	M06x16 10.9 BUTTON HEAD MACH SCREW / VIS BOMBEE ULF M06x16 10.9 BI FT	
10	3900358	3	M06x10 10.9 BUTTON HEAD MACH SCREW / VIS BOMBEE ULF M06x10 10.9 BI FT	
11	3900359	3	M04x10 10.9 BUTTON HEAD MACH SCREW / VIS BOMBEE ULF M04x06 10.9 BI FT	
12	4340871	1	MOUNT, PLATFORM CONTROL BOX / BRIDE RENFORT	
13	4360562	1	SWITCH, E-STOP / ARRET D'URGENCE COMPLET	
13A	240076	1	SWITCH BASE / EMBASE CONTACT	
13B	240057	1	NC CONTACT BLOC / CONTACT NC	
13C	240060	1	TURN TO RELEASE KNOB / BOUTON ARRET D'URGENCE 1/4 TOUR	
14	4460496	1	TERMINAL, LOCK WASHER / RONDELLE CONNECTEUR DEUTSCH	
15	4460497	1	TERMINAL, NUT / ECROU CONNECTEUR DEUTSCH HD30	
16	1001110544	8	WASHER, 3MM NORM OD / RONDELLE M03	
17	1001115919	1	SWITCH PUSH BUTTON-ENABLE / BP DE VALIDATION	
18	1001117177	1	SWITCH NEOPRENE BOOT / CAPUCHON D'ETANCHEITE NEOPRENE	
19	1001152692	1	CONTROLLER, PLATFORM MODULE / CARTE BOITIER HAUT	
20	1001154560	1	SEAL, FORM SPACER GASKET / JOINT MOUSSE	
21	1001154615	1	BOX, PLATFORM CONSOLE / BOITIER HAUT	
22	1001154753	1	SWITCH, MEMBRANE PAD / INTERRUPTEURS A MEMBRANE	
23	1001155321	1	PLATE, CONSOLE COVER / FACADE BOITIER HAUT	
24	1001155328	1	SEAL, CONSOLE BOX LID / JOINT FACADE BOITIER HAUT	
25	1001155354	3	THUMB JOYSTICK / MINI JOYSTICK	
26	1001155457	1	PLUG, SVR PANEL (CARLING) / BOUCHON INTERRUPTEUR ROTATION	
27	ST3312	1	PLATE, PLUG MOUNT / PLATINE MONTAGE CONNECTEUR	
28	1001152082	1	HARNESS PLATFORM CONTROLL / FAISCEAU BOITIER HAUT	
29	1001155460	1	DECAL, DRIVE AND SWING JOYSTICK / AUTOCOLLANT JOYSTICK TRANSLATION	
30	1001155461	1	DECAL, JIB, TELE MAST JOYSTICK / AUTOCOLLANT MINI JOYSTICKS	
31	1001155462	1	DECAL, LIGHT PANEL ICON DISPLAY / AUTOCOLLANT	

SECTION 6 - PLATFORM INSTALL / INSTALLATION PLATE-FORME

ITEM	PART NUMBER	QTY	DESCRIPTION	REV
32	1001155745	1	INDICATEURS BOITIER HAUT PLATFORM EMS HARNESS / FAISCEAU ARRET D'URGENCE BOITIER HAUT	

SECTION 6 - PLATFORM INSTALL / INSTALLATION PLATE-FORME

FIGURE 6-5. PLATFORM SUPPORT INSTALL / INSTALLATION SUPPORT PLATE-FORME



SECTION 6 - PLATFORM INSTALL / INSTALLATION PLATE-FORME

FIGURE 6-5. PLATFORM SUPPORT INSTALL / INSTALLATION SUPPORT PLATE-FORME

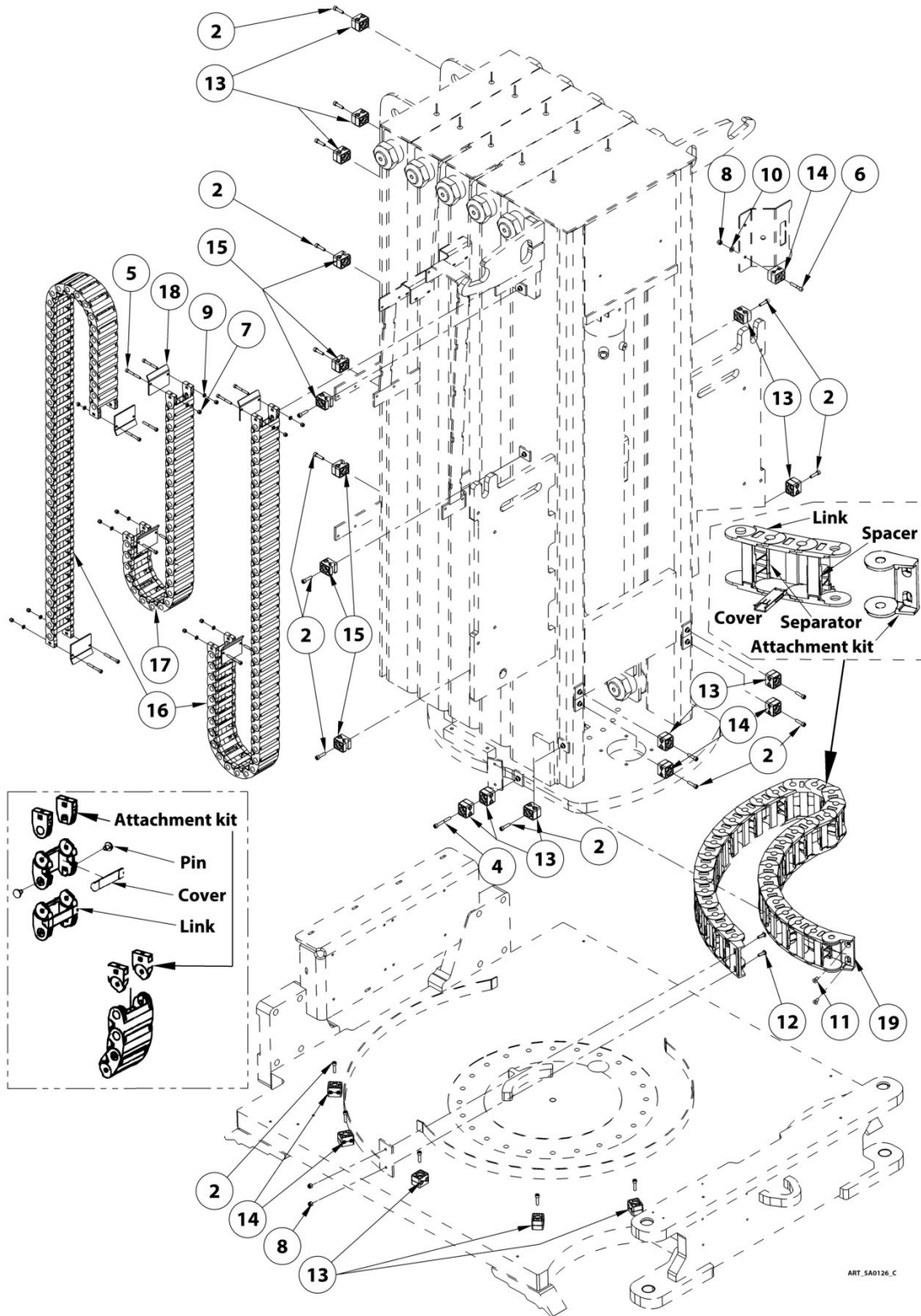
ITEM	PART NUMBER	QTY	DESCRIPTION	REV
		Ref	PLATFORM SUPPORTS; INFO - SP0966 / SUPPORTS PLATE-FORME; INFO - SP0966	
0	SA0140	Ref	PLATF SUPPORT W/O ROTATION / SUPPORT PLATE-FORME SANS ROTATION	
1	DL0901	1	PLATF.SUPPORT W/O ROTATION / SUPPORT PLATEFORME SANS ROTATION	
100	SA0141	Ref	PLATF SUPPORT W/ ROTATION / SUPPORT PLATE-FORME AVEC ROTATION	B
101	000007	2	M04x30 8.8 SOCKET HEAD CAPSCREW / VIS CHC M04x30 8.8 BI FP	
102	000053	2	M08x25 8.8 SOCKET HEAD MACHSCREW / VIS CHC M08x25 8.8 BI FT	
103	110001	2	M04 GR08 LOCK NUT / ECROU FREIN M4 CL08 BI	
104	120010	2	dD 08x18 LOCK WASHER / RONDELLE CONTACT dD 08x18 BI	
105	150038	4	BEARING, FLANGE D12xL12 / BAGUE EPAULEE D12 L12	
106	DL0882	1	SUPPORT LEVEL CORRECTION ROT OPT / SUPPORT CORRECTION DE NIVEAU OPTION ROTATION	
107	DL0883	1	SUPPORT PLATFORM, ROT OPT / SUPPORT PLATE-FORME OPTION ROTATION	
108	SE0933	1	CYL,THOMSON PLATFORM ROTATION / VERIN,THOMSON ROTATION PANIER (Prior to SN A300055232)	B
108	1001228269	1	CYL,SKF PLATFORM ROTATION / VERIN,SKF ROTATION PANIER (SN A300055232 to Present)	B
109	US0134	1	PAD, WASHER D31x60X4 / PATIN, RONDELLE D31x60x4	
110	US0469	2	WASHER, STOP / RONDELLE, BUTEE	
111	US0582	2	PIN, D12 L65 / AXE, D12 L65	
112	000089	2	M05x08 8.8 SOCKET HEAD MACHSCREW / VIS CHC M08x8 8.8 BI FT	
113	000095	2	M05x25 8.8 SCOKET HEAD MACHSCREW / VIS CHC M08x25 8.8 BI FT	
114	100009	2	M10x30 8.8 HXN HEADMACHINE SCW / VIS H M10x30 8.8 BI FT (Prior to SN A300055232)	B
115	110002	2	LOCK NUT H M5 8 / ECROU FREIN M5 CL08 BI	
116	110008	4	NUT H M10 GR8 / ECROU M10 CL08 BI (Prior to SN A300055232)	B
117	120002	5	WASHER D05x10 / RONDELLE D05X10	
118	120015	4	LOCK WASHER D12x27 / RONDELLE CONTACT dD 12x27 BI	
119	120058	1	WASHER D4 SERRATED LOCK / RONDELLE EVENTAIL D4 (Prior to SN A300055232)	B
120	1001159126	1	ELEC ASSY, PLATFORM ROTATE BOARD / CARTE ROTATION PLATE-FORME	
121	1001159127	1	HARNESS PLATFORM ROTATE / FAISCEAU ROTATION PANIER	
122	1001164530	1	SWITCH CARLING 8-POS / INTERRUPTEUR CARLING 8-POS	
123	AU2200	1	DECAL, ROTATE PLATFORM / AUTOCOLLANT, ROTATION PLATEFORME	
124	ST3684	1	COVER, ROTATION MODULE / COUVERCLE, MODULE ROTATION	

**SECTION 7 - POWER TRACKS AND CLAMPS INSTALL / INSTALLATION
CHAINES PORTE-CABLES**

**SECTION 7 - POWER TRACKS AND CLAMPS INSTALL /
INSTALLATION CHAINES PORTE-CABLES**

SECTION 7 - POWER TRACKS AND CLAMPS INSTALL / INSTALLATION CHAINES PORTE-CABLES

FIGURE 7-1. MAST POWER TRACK INSTALL / INSTALLATION CHAINE PORTE CABLE MATS



ART. 5A0126.C

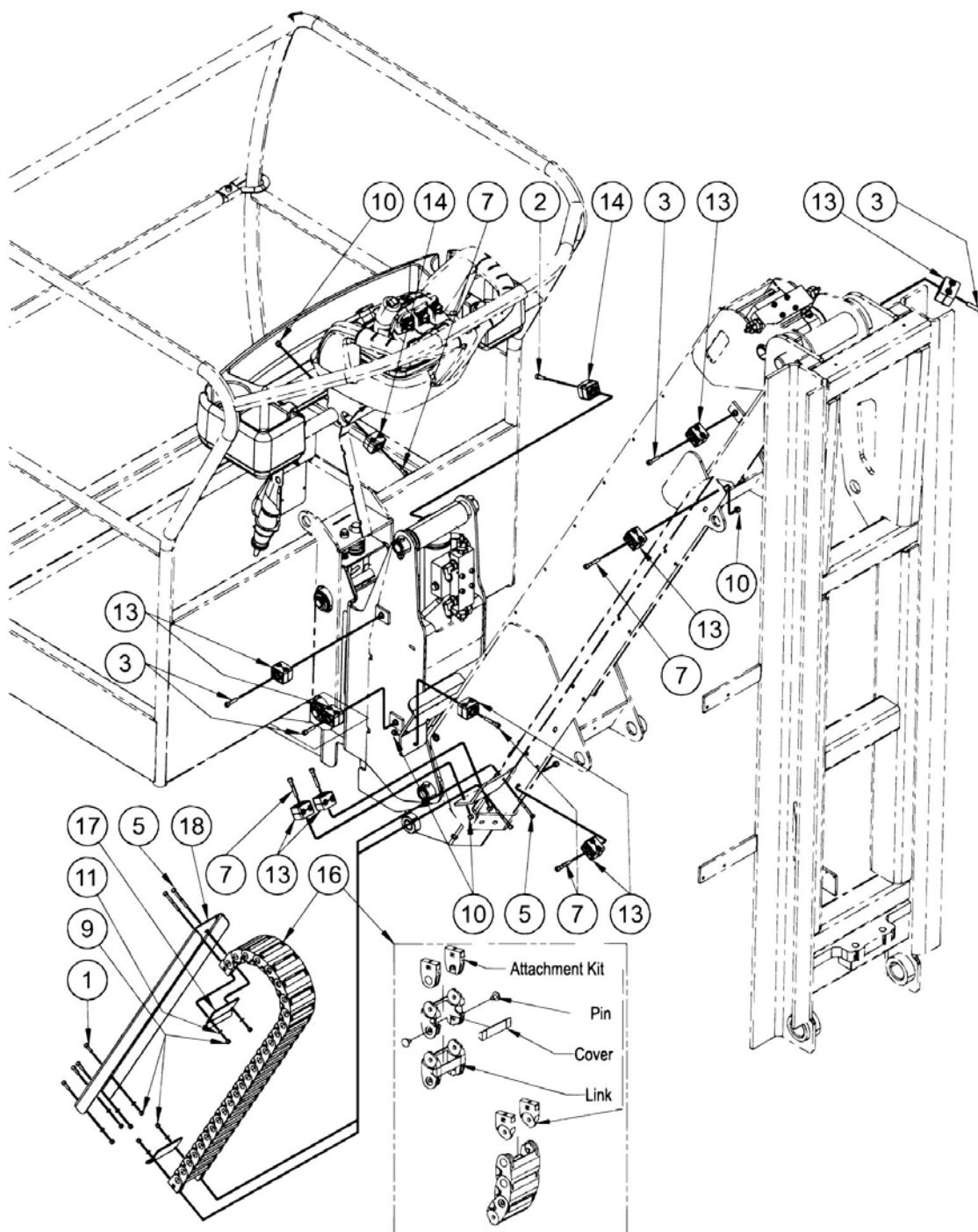
SECTION 7 - POWER TRACKS AND CLAMPS INSTALL / INSTALLATION CHAINES PORTE-CABLES

FIGURE 7-1. MAST POWER TRACK INSTALL / INSTALLATION CHAINE PORTE CABLE MATS

ITEM	PART NUMBER	QTY	DESCRIPTION	REV
0	SA0126	Ref	TURNTABLE AND MASTS POWER TRACKS / CHAINES PORTE CABLES TOURELLE ET MATS	
2	000008	21	M06x25 8.8 SOCKET HEAD MACHSCREW / VIS CHC M06x25 8.8 BI FT	
4	000026	1	M06x50 8.8 SOCKET HEAD CAP SCREW / VIS CHC M06x50 8.8 BI FP	
5	000051	12	M05x45 8.8 SOCKET HEAD CAP SCREW / VIS CHC M05x45 8.8 BI FP	
6	000077	1	M06x35 8.8 SOCKET HEAD CAP SCREW / VIS CHC M06x35 8.8 BI FP	
7	110002	12	LOCK NUT H M5 GR8 / ECROU FREIN M5 CL08 BI	
8	110003	3	LOCK NUT H M6 GR8 / ECROU FREIN M6 CL08 BI	
9	120002	12	WASHER D05x10 / RONDELLE M05 BI	
10	120009	1	LOCK WASHER D06X14 / RONDELLE CONTACT dD 06x14 BI	
11	130003	2	FLAT HEAD SCREW, M6x16 / VIS FHC M06x16 8.8 BI FT	
12	130021	2	SCREW, ROUND HEAD M6x20 / VIS BOMBEE ULF M06x20 8.8 BI FT	
13	400018	13	CLAMP, TWIN 12-12 PP, PLK / COLLIER DOUBLE D12	
14	400037	5	CLAMP, TWIN 10-10 PP, PLK / COLLIER DOUBLE D10	
15	400092	6	CLAMP, TWIN 15-12 PP, PLK / COLLIER DOUBLE D12.7 / D15	
16	ST1326	2	POWER TRACK, SR305A/030. 44 LINKS / CHAINE PORTE-CABLES 44 MAILLONS	
16	920042	x	POWER TRACKS LINK / MAILLON CHAINE PORTE-CABLES	
16	920045	x	POWER TRACKS PIN PG305 / AXE CHAINE PORTE-CABLE PG305	
16	920046	x	POWER TRACKS COVER / CAPOT CHAINE PORTE-CABLES	
16	920073	x	POWER TRACKS ATTACHMENT KIT SR305 / KIT ATTACHES CHAINE PORTE CBL SR305	
17	ST1327	1	POWER TRACK, SR305A/030. 27 LINKS / CHAINE PORTE-CABLES 27 MAILLONS	
17	920042	x	POWER TRACKS LINK / MAILLON CHAINE PORTE-CABLES	
17	920045	x	POWER TRACKS PIN PG305 / AXE CHAINE PORTE-CABLE PG305	
17	920046	x	POWER TRACKS COVER / CAPOT CHAINE PORTE-CABLES	
17	920073	x	POWER TRACKS ATTACHMENT KIT SR305 / KIT ATTACHES CHAINE PORTE CBL SR305	
18	ST3219	6	PLATE, CABLES KEEPER / BRIDE DE CABLES	
19	ST3624	1	POWER TRACK, CIRCULAR POWERBRIDGE / CHAINE PORTE-CABLES CIRCULAIRE	
19	920078	x	POWER TRACKS ATTACHMENT KIT / KIT ATTACHES CHAINE PORTE CABLE	
19	920079	x	POWER TRACKS LINK / MAILLON CHAINE PORTE-CABLES	
19	920080	x	POWER TRACKS COVER / CAPOT CHAINE PORTE-CABLES	
19	920081	x	POWER TRACKS SPACER / ENTRTOISE CHAINE PORTE-CABLES	
19	920082	x	POWER TRACKS SEPARATOR / SEPARATEUR CHAINE PORTE-CABLES	

SECTION 7 - POWER TRACKS AND CLAMPS INSTALL / INSTALLATION CHAINES PORTE-CABLES

FIGURE 7-2. BOOM POWER TRACK INSTALL / INSTALLATION CHAINE PORTE CABLE BRAS



SECTION 7 - POWER TRACKS AND CLAMPS INSTALL / INSTALLATION CHAINES PORTE-CABLES

FIGURE 7-2. BOOM POWER TRACK INSTALL / INSTALLATION CHAINE PORTE CABLE BRAS

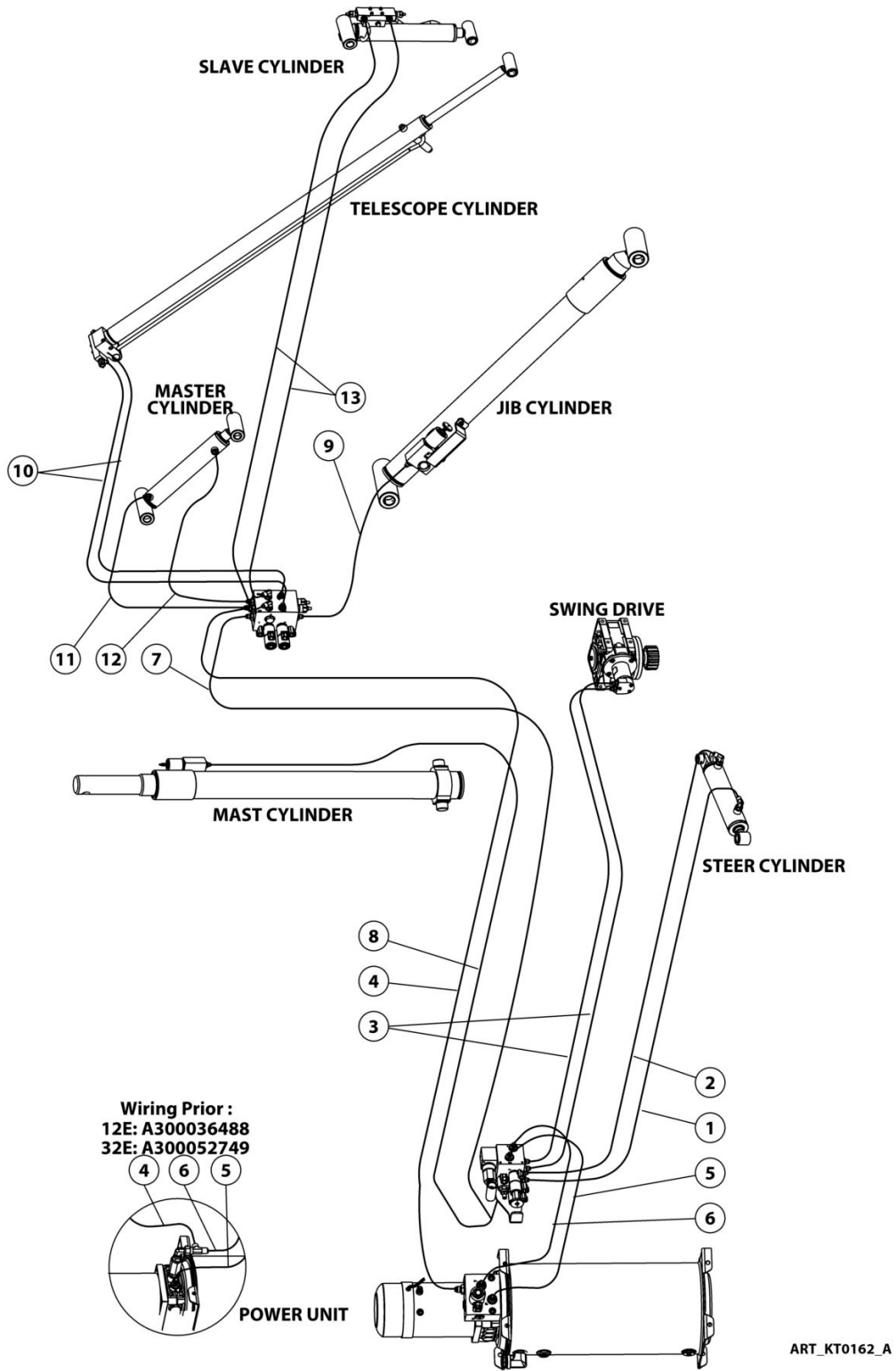
ITEM	PART NUMBER	QTY	DESCRIPTION	REV
0	SA0142	Ref	POWER TRACK BOOM T12E/T32E / CHAINE PORTE CABLES BRAS T12E/T32E	
0	SA0143	Ref	POWER TRACK BOOM T12E PLUS / CHAINE PORTE CABLES BRAS T12E PLUS	
1	000003	4	M05x16 8.8 SOCKET HEAD MACH SCREW / VIS CHC M05x16 8.8 BI FT	
2	000005	1	M06x20 8.8 SOCKET HEAD MACH SCREW / VIS CHC M06x20 8.8 BI FT	
3	000008	4	M06x25 8.8 SOCKET HEAD MACH SCREW / VIS CHC M06x25 8.8 BI FT	
5	000051	4	M05x45 8.8 SOCKET HEAD CAPSCREW / VIS CHC M05x45 8.8 BI FP	
7	000077	6	M06x35 8.8 SOCKET HEAD CAPSCREW / VIS CHC M06x35 8.8 BI FP	
9	110002	8	M05 GR08 LOCK NUT / ECROU FREIN M5 CL08 BI	
10	110003	6	M06 GR08 LOCK NUT / ECROU FREIN M6 CL08 BI	
11	120002	8	M05 WASHER / RONDELLE M05 BI	
13	400018	9	CLAMP, TWIN D12 / COLLIER DOUBLE D12	
14	400037	2	CLAMP, TWIN10-10PP BLK / COLLIER DOUBLE D10	
16	ST1327	1	T12E / T32E - POWER TRACK SR305A/030 27 LINKS / T12E / T32E - CHAINE PORTE-CABLES 27 MAILLONS	
16	ST1326	1	T12E PLUS - POWER TRACK SR305A/030 44 LINKS / T12E PLUS - CHAINE PORTE-CABLES 44 MAILLONS	
16	920042	x	POWER TRACKS LINK / MAILLON CHAINE PORTE-CABLES	
16	920045	x	POWER TRACKS PIN PG305 / AXE CHAINE PORTE-CABLE PG305	
16	920046	x	POWER TRACKS COVER / CAPOT CHAINE PORTE-CABLES	
16	920073	x	POWER TRACKS ATTACHMENT KIT SR305 / KIT ATTACHES CHAINE PORTE CBL SR305	
17	ST3219	2	PLATE, CABLE KEEPER / BRIDE DE CABLES	
18	ST3623	1	T12E / T32E - CHANNEL, POWER TRACK / T12E / T32E - GOULOTTE CHAINE PORTE CABLE	
18	ST3575	1	T12E PLUS - CHANNEL, POWER TRACK / T12E PLUS - GOULOTTE CHAINE PORTE CABLE	

SECTION 8 - HYDRAULIC INSTALL / INSTALLATION HYDRAULIQUE

SECTION 8 - HYDRAULIC INSTALL / INSTALLATION HYDRAULIQUE

SECTION 8 - HYDRAULIC INSTALL / INSTALLATION HYDRAULIQUE

FIGURE 8-1. HYDRAULIC INSTALL / INSTALLATION HYDRAULIQUE



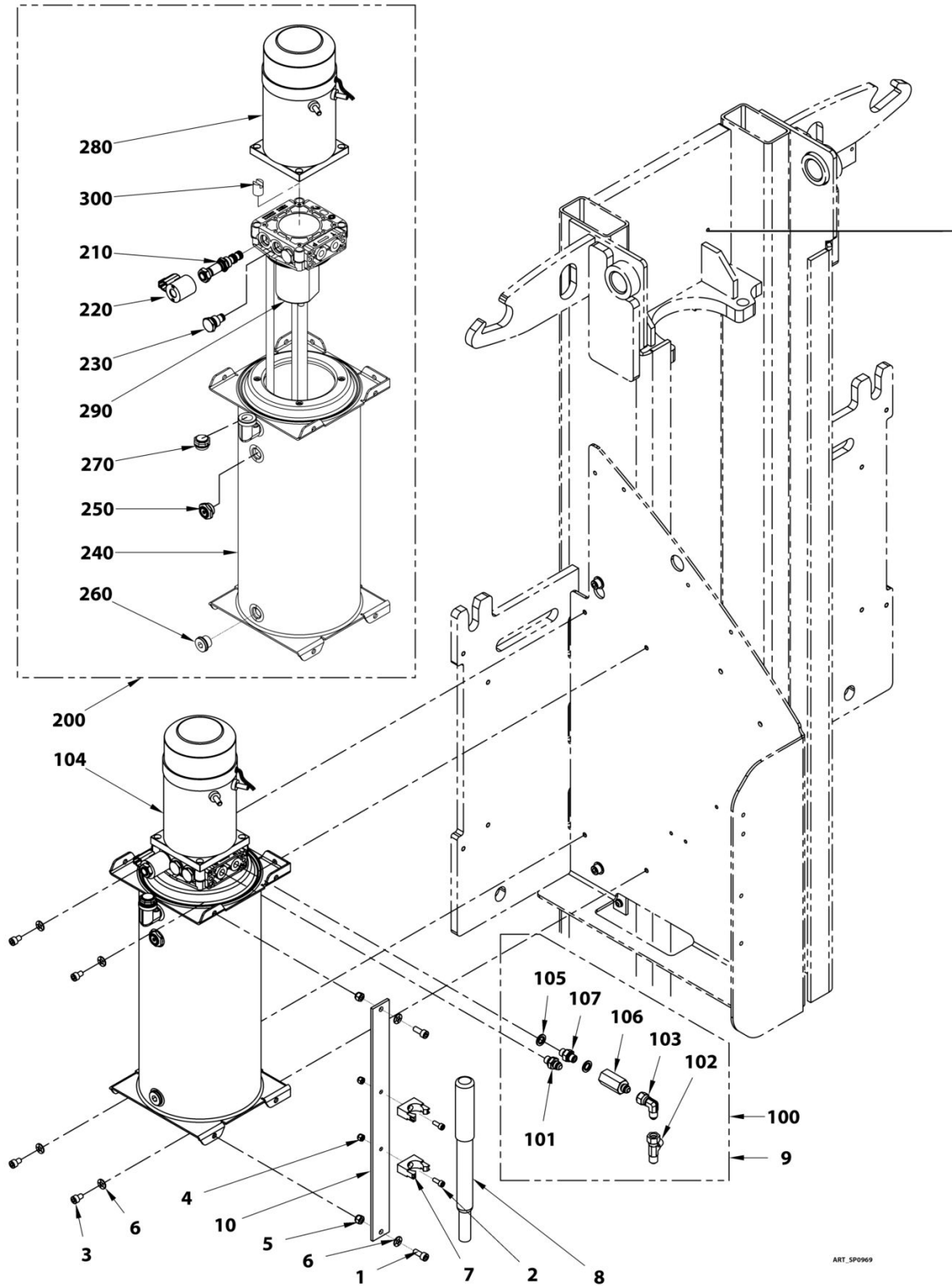
SECTION 8 - HYDRAULIC INSTALL / INSTALLATION HYDRAULIQUE

FIGURE 8-1. HYDRAULIC INSTALL / INSTALLATION HYDRAULIQUE

ITEM	PART NUMBER	QTY	DESCRIPTION	REV
		Ref	HYDRAULIC INSTALL / INSTALLATION HYDRAULIQUE	B
0	KT0158	Ref	HOSES KIT, 12E/T32E / KIT FLEXIBLES - 12E/32E (12E Prior to SN A300036488; 32E Prior to SN A300052749)	
0	KT0162	Ref	HOSES KIT, 12E/32E / KIT FLEXIBLES - 12E/32E (12E SN A300036488 to Present; 32E SN A300052749 to Present)	B
0	KT0159	Ref	HOSES KIT, 12E PLUS / KIT FLEXIBLES - 12E PLUS (12E Prior to SN A300036488)	
0	KT0163	Ref	HOSES KIT, 12E PLUS / KIT FLEXIBLES - 12E PLUS (12E SN A300036488 to Present)	B
1	DF0987	1	HOSE 1/4-0505CM-JIC FEM 9/16-JIC FEM 9/16 / FLEXIBLE 1/4-0505CM-JIC FEM 9/16-JIC FEM 9/16	
2	DF0988	1	HOSE 1/4-0493CM-JIC FEM 9/16-JIC FEM 9/16 / FLEXIBLE 1/4-0493CM-JIC FEM 9/16-JIC FEM 9/16	
3	DF0989	2	HOSE 5/16-0159CM-JIC FEM 9/16-JIC FEM 9/16 / FLEXIBLE 5/16-0159CM-JIC FEM 9/16-JIC FEM 9/16	
4	DF0990	1	HOSE 3/8-1036CM-JIC FEM 9/16-JIC FEM 9/16 / FLEXIBLE 3/8-1036CM-JIC FEM 9/16-JIC FEM 9/16 (12E Prior to SN A300036488; 32E Prior to SN A300052749)	B
4	DF1003	1	HOSE 3/8-1076cm-JIC Fem 9/16-JIC Fem 9/16 / FLEXIBLE 3/8-1076cm-JIC Fem 9/16-JIC Fem 9/16 (12E SN A300036488 to Present; 32E SN A300052749 to Present)	B
5	DF0991	1	HOSE 5/16-0047CM-JIC FEM 9/16-JIC FEM 9/16 90° / FLEXIBLE 5/16-0047CM-JIC FEM 9/16-JIC FEM 9/16 90° (12E Prior to SN A300036488; 32E Prior to SN A300052749)	B
5	DF1004	1	HOSE 5/16-0047cm-JIC Fem 9/16 135°-JIC Fem 9/16 90°-180° / FLEXIBLE 5/16-0047cm-JIC Fem 9/16 135°-JIC Fem 9/16 90°-180° (12E SN A300036488 to Present; 32E SN A300052749 to Present)	B
6	DF0992	1	HOSE 3/8-0053CM-JIC FEM 9/16 90°-JIC FEM 9/16 90°- 90° / FLEXIBLE 3/8-0053CM-JIC FEM 9/16 90°-JIC FEM 9/16 90°- 90° (12E Prior to SN A300036488; 32E Prior to SN A300052749)	B
6	DF1005	1	HOSE 3/8-0057cm-JIC Fem 9/16 135°-JIC Fem 9/16 90°- 180° / FLEXIBLE 3/8-0057cm-JIC Fem 9/16 135°-JIC Fem 9/16 90°- 180° (12E SN A300036488 to Present; 32E SN A300052749 to Present)	B
7	DF0993	1	HOSE 5/16-1040CM-JIC FEM 9/16-JIC FEM 9/16 / FLEXIBLE 5/16-1040CM-JIC FEM 9/16-JIC FEM 9/16	
8	DF0994	1	HOSE 5/16-0233CM-JIC FEM 9/16-JIC FEM 9/16 / FLEXIBLE 5/16-0233CM-JIC FEM 9/16-JIC FEM 9/16	
9	DF0995	1	HOSE 5/16-0111CM-JIC FEM 9/16-JIC FEM 9/16 90° / FLEXIBLE 5/16-0111CM-JIC FEM 9/16-JIC FEM 9/16 90°	
10	DF0996	2	HOSE 5/16-0179CM-JIC FEM 9/16-JIC FEM 9/16 90° / FLEXIBLE 5/16-0179CM-JIC FEM 9/16-JIC FEM 9/16 90°	
11	DF0997	1	HOSE 1/4-0114CM-JIC FEM 9/16-JIC FEM 9/16 90° / FLEXIBLE 1/4-0114CM-JIC FEM 9/16-JIC FEM 9/16 90°	
12	DF0998	1	HOSE 1/4-0102CM-JIC FEM 9/16-JIC FEM 9/16 / FLEXIBLE 1/4-0102CM-JIC FEM 9/16-JIC FEM 9/16	
13	DF0999	2	12E / T32E - HOSE 5/16-0574CM-JIC FEM 9/16-JIC FEM 9/16 / T12E / T32E - FLEXIBLE 5/16-0574CM-JIC FEM 9/16-JIC FEM 9/16	
13	DF1000	2	T12E PLUS - HOSE 5/16-0663CM-JIC FEM 9/16-JIC FEM 9/16 / T12E PLUS - FLEXIBLE 5/16-0663CM-JIC FEM 9/16-JIC FEM 9/16	

SECTION 8 - HYDRAULIC INSTALL / INSTALLATION HYDRAULIQUE

FIGURE 8-2. TANK AND PUMP INSTALLATION / INSTALLATION CENTRALE (12E Prior to SN A300036488; 32E Prior to SN A300052749)



ART. SP0969

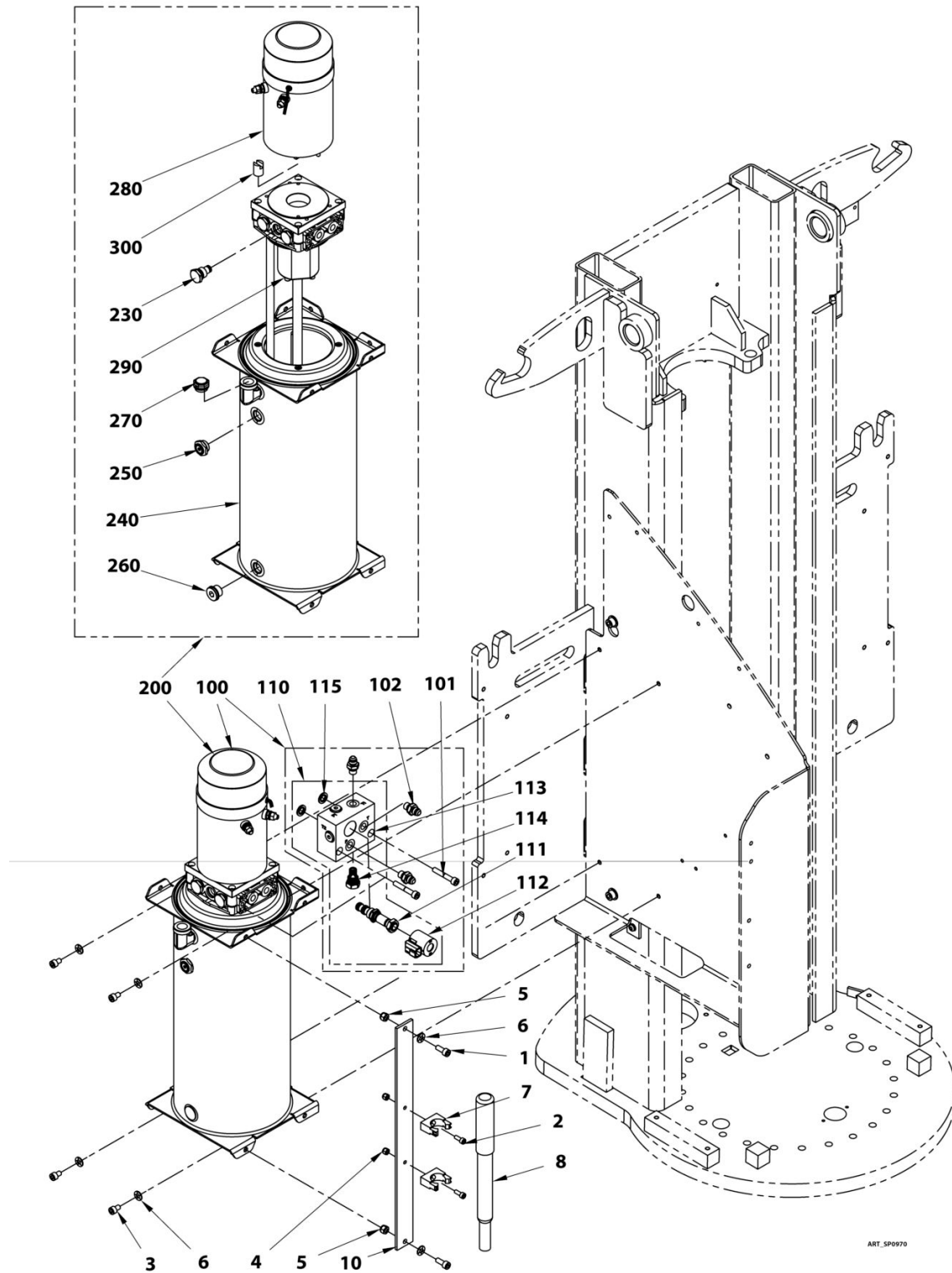
SECTION 8 - HYDRAULIC INSTALL / INSTALLATION HYDRAULIQUE

FIGURE 8-2. TANK AND PUMP INSTALLATION / INSTALLATION CENTRALE (12E Prior to SN A300036488; 32E Prior to SN A300052749)

ITEM	PART NUMBER	QTY	DESCRIPTION	REV
		Ref	TANK AND PUMP INSTALLATION; INFO - SP0969 / INSTALLATION CENTRALE; INFO - SP0969	
0	SA0115	Ref	TANK AND PUMP INSTALLATION / INSTALLATION CENTRALE	
1	000006	2	M08X20 8.8 SOCKET HEAD MECH SCREW / VIS CHC M08x20 8.8 BI FT	
2	000015	2	M06X16 8.8 SOCKET HEAD MECH SCREW / VIS CHC M06x16 8.8 BI FT	
3	000042	4	M08X12 8.8 SOCKET HEAD MECH SCREW / VIS CHC M08x12 8.8 BI FT	
4	110003	2	LOCK NUT H M6 GR8 / ECROU FREIN M6 CL08 BI	
5	110004	2	LOCK NUT H M8 GR8 / ECROU FREIN M8 CL08 BI	
6	120010	6	LOCK WASHER D08x18 / RONDELLE CONTACT dD 08x18 BI	
7	190027	2	CLAMP, D28 / CLIP Ø22	
8	310109	1	LEVER, HAND PUMP / MANCHE POMPE À MAIN	
9		Ref	SEE ITEM 100 / VOIR REP 100	
10	ST3688	1	PLATE, HAND PUMP SUPPORT / TOLE SUPPORT MANCHE POMPE À MAIN	
100	SE1160	Ref	PUMP, MOTOR/TANK EQUIPPED / CENTRALE EQUIPEE	
101	300025	1	FITTING MALE BSPP1/4-MALE JIC9/16 / RACCORD MALE BSPP1/4-MALE JIC9/16	
102	300037	1	RUN TEE JIC/BSPP 6-4 FG / TE JIC9/16 TOURNANT LATERAL	
103	300067	1	ELBOW M JIG 9/16 SWIVEL NUT / COUDE MALE 9/16 - FEMELLE 9/16	
104		Ref	SEE ITEM 200 / VOIR REP 200	
105	300108	2	SEAL, SELF CENTRALIZING BONDED, 1/4" / BAGUE BS AUTOCENTREE 1/4"	
106	310110	1	VALVE, CHECK VALVE 4.5B BSPP1/4 JIC9/16 / CLAPET 4,5B BSPP1/4 - JIC9/16	
107	310111	1	ADPT, ST S BSPP/BSPP 4-4 FG / MANCHON MALE BSPP1/4 - MALE BSPP1/4	
200	520122	Ref	PUMP, MOTOR/TANK ASSEMBLY / CENTRALE HYDRAULIQUE	
210	952109	1	VALVE, PRESSURE PROPORTIONAL / LIMITEUR DE PRESSION PROPORTIONNEL	
220	952110	1	COIL, PROPORTIONAL VALVE / BOBINE LIMITEUR PROPORTIONNEL	
230	952111	1	VALVE, CHECK VALVE 0, 3B / CLAPET 0.3B	
240	952112	1	TANK, STEEL 15L / RÉSERVOIR ACIER 15L	
250	952113	1	CAP, OIL LEVEL / VOYANT DE NIVEAU	
260	952114	1	CAP, OIL CHANGE / BOUCHON DE VIDANGE	
270	952115	1	CAP, OIL FILLING / BOUCHON DE REMPLISSAGE	
280	952116	1	MOTOR, 48VDC 3, 5KW / MOTEUR 48VCC 3,5KW	
290	952117	1	PUMP, 4, 2CC / POMPE 4,2CC	
300	952165	1	COUPLING,PUMP / MOTOR / ACCOUPLEMENT POMPE / MOTEUR	

SECTION 8 - HYDRAULIC INSTALL / INSTALLATION HYDRAULIQUE

FIGURE 8-3. TANK AND PUMP INSTALLATION / INSTALLATION CENTRALE (12E SN A300036488 to Present; 32E SN A300052749 to Present)



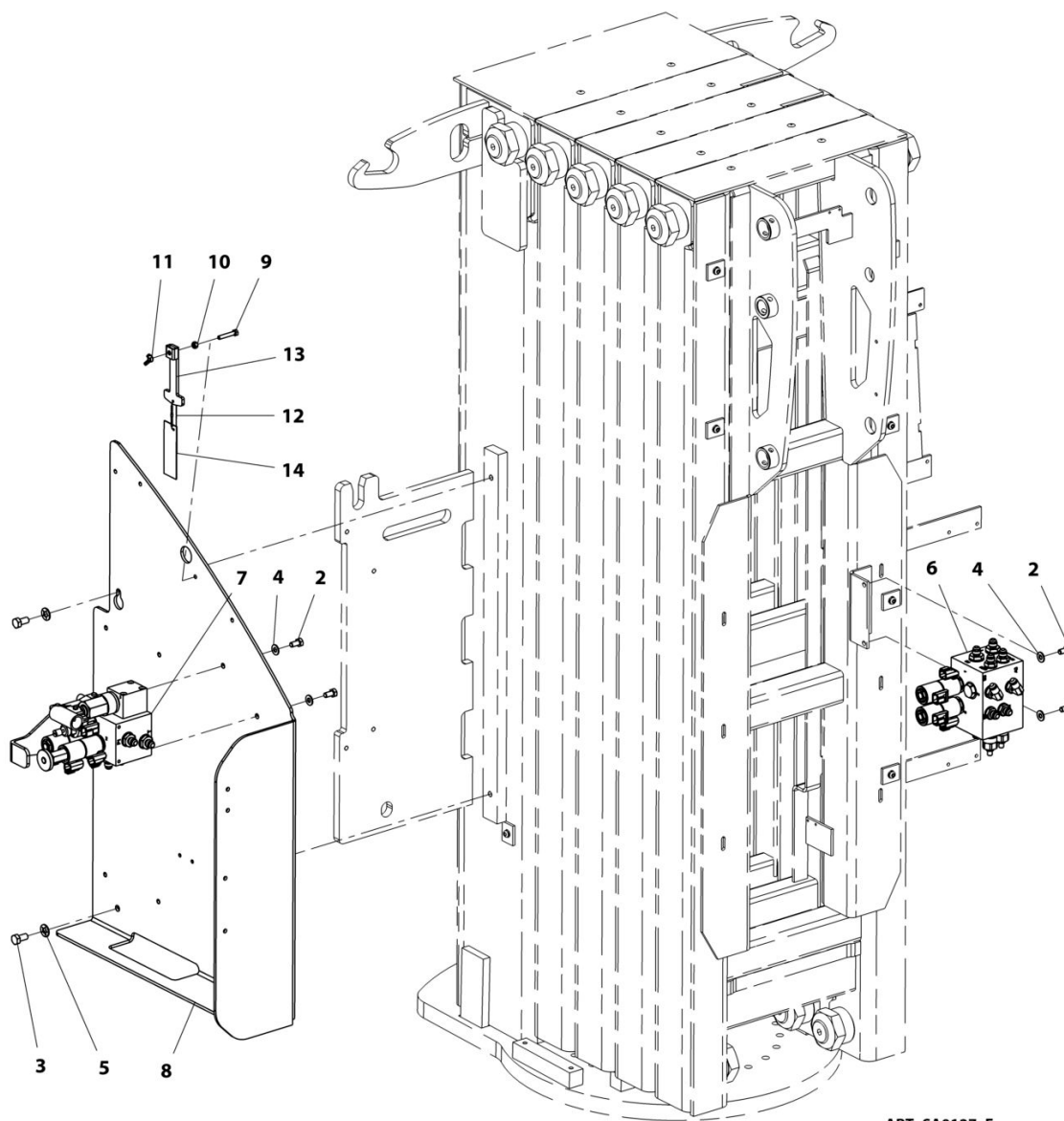
SECTION 8 - HYDRAULIC INSTALL / INSTALLATION HYDRAULIQUE

FIGURE 8-3. TANK AND PUMP INSTALLATION / INSTALLATION CENTRALE (12E SN A300036488 to Present; 32E SN A300052749 to Present)

ITEM	PART NUMBER	QTY	DESCRIPTION	REV
		Ref	TANK AND PUMP INSTALLATION - SP0970 / INSTALLATION CENTRALE - SP0970	
0	SA0115	REF	INSTALL,TANK & PUMP / INSTALLATION CENTRALE	
1	000006	2	M08x20 8.8 SOCKET HEAD MACH SCREW / VIS CHC M08x20 8.8 BI FT	
2	000015	2	M06x16 8.8 SOCKET HEAD MACH SCREW / VIS CHC M06x16 8.8 BI FT	
3	000042	4	M08x12 8.8 SOCKET HEAD MACH SCREW / VIS CHC M08x12 8.8 BI FT	
4	110003	2	M06 GR. 8.8 LOCK NUT / ECROU FREIN M6 CL08 BI	
5	110004	2	M08 GR. 8.8 LOCK NUT / ECROU FREIN M8 CL08 BI	
6	120010	6	LOCK WASHER D08x18 / RONDELLE CONTACT dD 08x18 BI	
7	190027	2	D22 CLIP / CLIP D22	
8	310109	1	LEVER,HAND PUMP / LEVIER POMPE A MAIN	
9	Not Required	1	SEE ITEM 100 / VOIR REP 100	
10	ST3688	1	PLATE,HAND PUMP LEVER / TOLE SUPPORT LEVIER POMPE A MAIN	
100	1001214812	REF	PUMP,MOTOR/TANK EQUIPPED / CENTRALE EQUIPEE	
101	000011	2	M08x50 8.8 SOCKET HEAD CAPSCREW / VIS CHC M08x50 8.8 BR FP	
102	300025	3	FITTING MALE BSPP1/4-MALE JIC9/16 / RACCORD MALE BSPP1/4-MALE JIC9/16	
110	520130	1	MANIFOLD,PRESSURE VALVE / BLOC VALVE DE PRESSION	
111	952109	1	VALVE,PRESSURE PROPORTIONAL / LIMITEUR DE PRESSION PROPORTIONNEL	
112	952110	1	COIL,PROPORTIONAL VALVE / BOBINE LIMITEUR PROPORTIONNEL	
113	952158	1	MANIFOLD,RAW,RELIEF VALVE / BLOC NU - REGULATEUR	
114	952159	1	VALVE,CHECK VALVE 4.1B / LIMITEUR DE PRESSUION 4,1B	
115	952164	2	SEAL,O-RING 1.78x14 / JOINT TORIQUE 1.78x14	
200	1001214811	REF	PUMP,MOTOR/TANK ASSEMBLY / CENTRALE HYDRAULIQUE	
230	952111	1	VALVE,CHECK VALVE 0.3B / CLAPET 0,3B	
240	952112	1	TANK,STEEL 15L / RESERVOIR ACIER 15L	
250	952113	1	CAP,OIL LEVEL / VOYANT DE NIVEAU	
260	952114	1	CAP,OIL CHANGE / BOUCHON DE VIDANGE	
270	952115	1	CAP,OIL FILLING / BOUCHON DE REMPLISSAGE	
280	952166	1	MOTOR, 48VDC, 3,5kW / MOTEUR,48VDC 3,5kW	
290	952117	1	PUMP,4.2CC / POMPE,4.2CC	
300	952165	1	COUPLING,PUMP / MOTOR / ACCOUPLEMENT POMPE / MOTEUR	

SECTION 8 - HYDRAULIC INSTALL / INSTALLATION HYDRAULIQUE

FIGURE 8-4. CONTROL VALVES / BLOCS HYDRAULIQUES



ART_SA0127_E

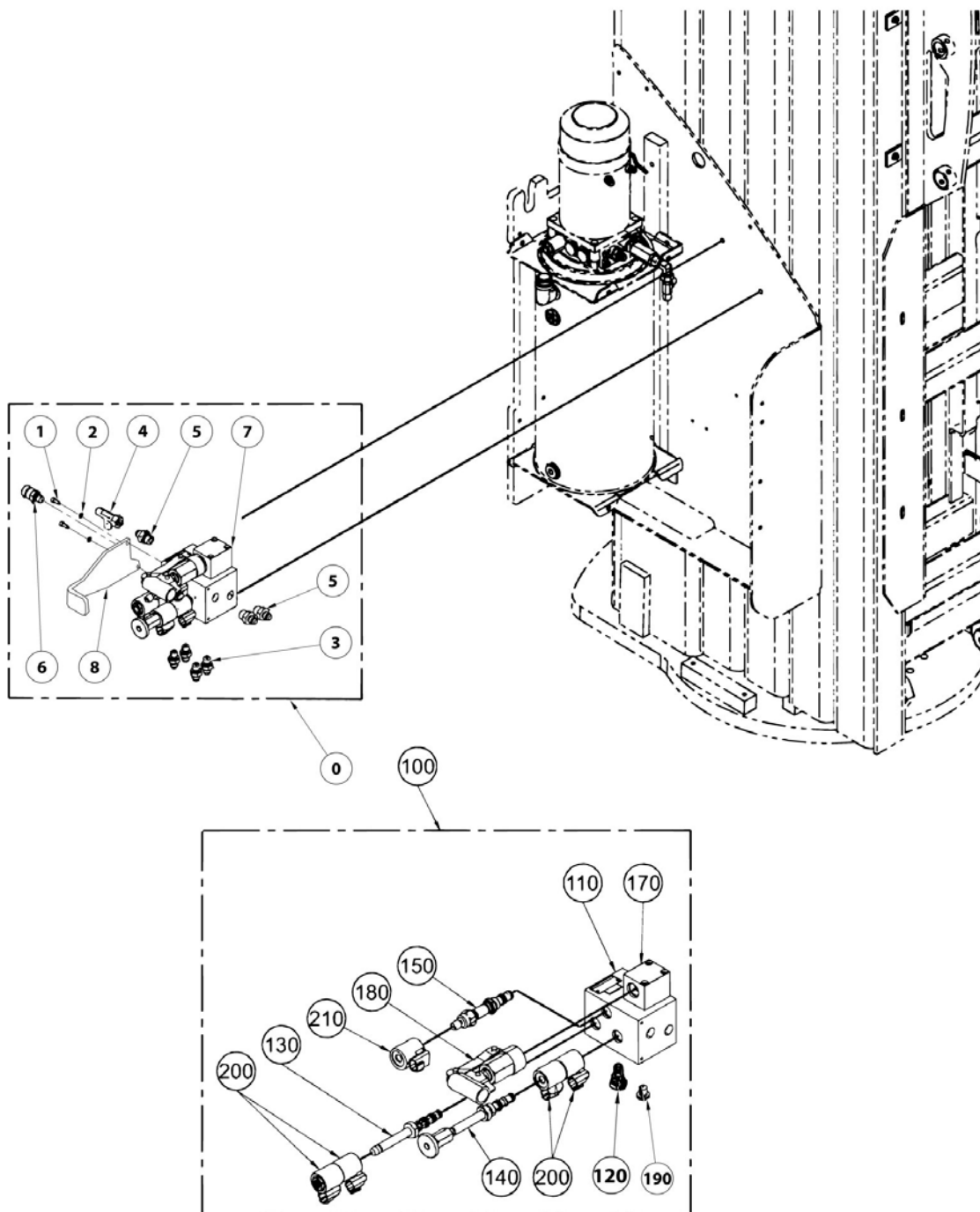
SECTION 8 - HYDRAULIC INSTALL / INSTALLATION HYDRAULIQUE

FIGURE 8-4. CONTROL VALVES / BLOCS HYDRAULIQUES

ITEM	PART NUMBER	QTY	DESCRIPTION	REV
0	SA0127	Ref	CONTROL VALVES / BLOCS ET VALVES	E
2	100054	4	M08X16 8.8 HEXHEAD MACH SCREW / VIS H M08x16 8.8 BI FT	E
3	100156	2	M10X20 8.8 HEX HEAD MACH SCREW / VIS H M10x20 8.8 BI FT	
4	120010	4	LOCK WASHER D08x18 / RONDELLE CONTACT dD 08x18 BI	
5	120011	2	LOCK WASHER D10X22 / RONDELLE CONTACT dD 10x22 BI	
6	SE1150	1	MANIFOLD, SECONDARY EQUIPPED; INFO - SE1150 / BLOC SECONDAIRE ÉQUIPÉ; INFO - SE1150	
7	SE1151	1	MANIFOLD, MAIN EQUIPPED; INFO - SE1151 / BLOC PRINCIPAL ÉQUIPÉ; INFO - SE1151	
8	ST3640	1	PLATE, PUMP MOUNT / PLATINE CENTRALE HYDRAULIQUE	
9	100051	1	M06x35 8.8 HEX HEAD MACHINE SCREW / VIS H M06x35 8.8 BI FT (SN A300052846 to Present)	E
10	110015	1	M06 GR. 8.8 HEX NUT / ECROU H M06 CL08 BI (SN A300052846 to Present)	E
11	110042	1	WING NUT, M6 / ECROU A OREILLE M6 (SN A300052846 to Present)	E
12	190077	1	CHAIN,METAL BALL / CHAINE A BILLES METAL (SN A300052846 to Present)	E
13	DL0911	1	LEVER,BREAKDOWN CONTROLS / LEVIER DE CONTOLE PANNE (SN A300052846 to Present)	E
14	AU2215	1	DECAL,SLACK CHAIN DETECTION / AUTOCOLLANT MOU DE CHAINE (SN A300052846 to Present)	E

SECTION 8 - HYDRAULIC INSTALL / INSTALLATION HYDRAULIQUE

FIGURE 8-5. MAIN MANIFOLD / BLOC PRINCIPAL



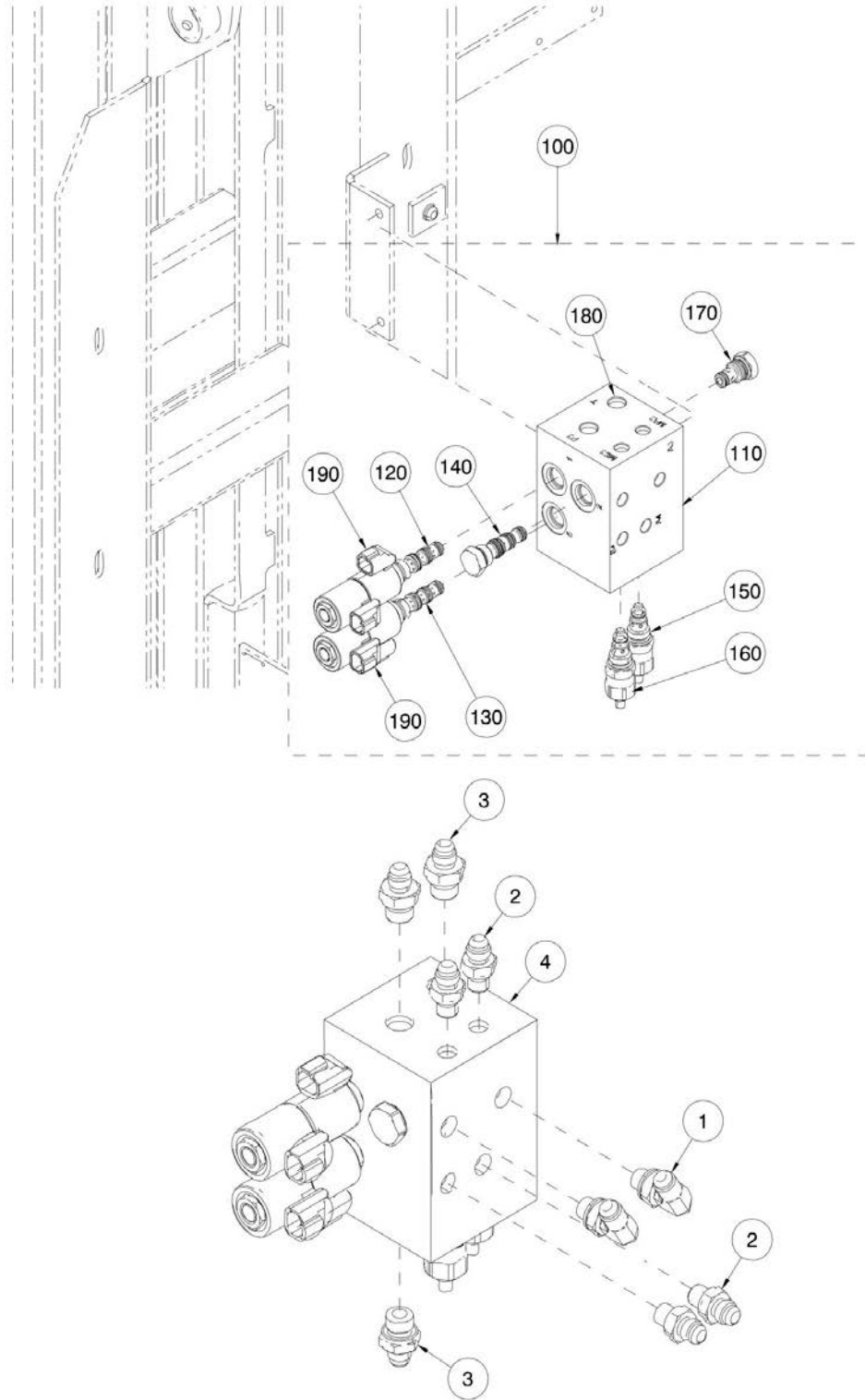
SECTION 8 - HYDRAULIC INSTALL / INSTALLATION HYDRAULIQUE

FIGURE 8-5. MAIN MANIFOLD / BLOC PRINCIPAL

ITEM	PART NUMBER	QTY	DESCRIPTION	REV
0	SE1151	Ref	MANIFOLD, MAIN EQUIPPED / BLOC PRINCIPAL EQUIPE	
1	000067	2	M05x12 8.8 SOCKET HEAD MACH SCREW / VIS CHC M05x12 8.8 BI FT	
2	120002	2	M05 WASHER / RONDELLE PLATE M05 BI	
3	300025	4	FITTING MALE BSPP1/4-MALE JIC9/16 / RACCORD MALE BSPP1/4-MALE JIC9/16	
4	300037	1	RUN TEE JIC/BSPP 6-4 FG / TE JIC9/16 TOURNANT LATERAL	
5	300040	3	FITTING MALE BSPP3/8 MALE JIC9/16 / RACCORD MALE BSPP3/8 MALE JIC9/16	
6	300101	1	PRESSURE TEST PLUG BSPP1/4 / PRISE DE PRESSION BSPP1/4	
7		Ref	SEE ITEM 100 / VOIR REP 100	
8	ST3687	1	PLATE, MANUAL SWING / TOLE SECOURS ORIENTATION	
100	520123	Ref	MANIFOLD, MAIN / BLOC PRINCIPAL	
110	952118	1	MAIN FOLD, RAW MAIN / BLOC PRINCIPAL BRUT	
120	952119	1	VALVE, CHECK VALVE 0.3B / CLAPET 0.3B	
130	952122	1	VALVE, SPOOL, 4-3 / DISTRIBUTEUR 4-3	
140	952124	1	VALVE, SPOOL, 4-3 / DISTRIBUTEUR 4-3	
150	952125	1	VALVE, PROPORTIONAL FLOW CONTROL / RÉGULATEUR DE DÉBIT PROPORTIONNEL	
170	952126	1	MANIFOLD, HAND PUMP / BLOC POMPE À MAIN	
180	952127	1	PUMP, HAND / POMPE À MAIN	
190	952120	1	VALVE, CHECK VALVE 0.5B / CLAPET 0.5B	
200	952123	4	COIL, SPOOL 4-3 / BOBINE DISTRIBUTEUR	
210	952110	1	COIL, PROPORTIONAL VALVE / BOBINE VALVE PROPORTIONNELLE	

SECTION 8 - HYDRAULIC INSTALL / INSTALLATION HYDRAULIQUE

FIGURE 8-6. SECONDARY MANIFOLD / BLOC SECONDAIRE



SECTION 8 - HYDRAULIC INSTALL / INSTALLATION HYDRAULIQUE

FIGURE 8-6. SECONDARY MANIFOLD / BLOC SECONDAIRE

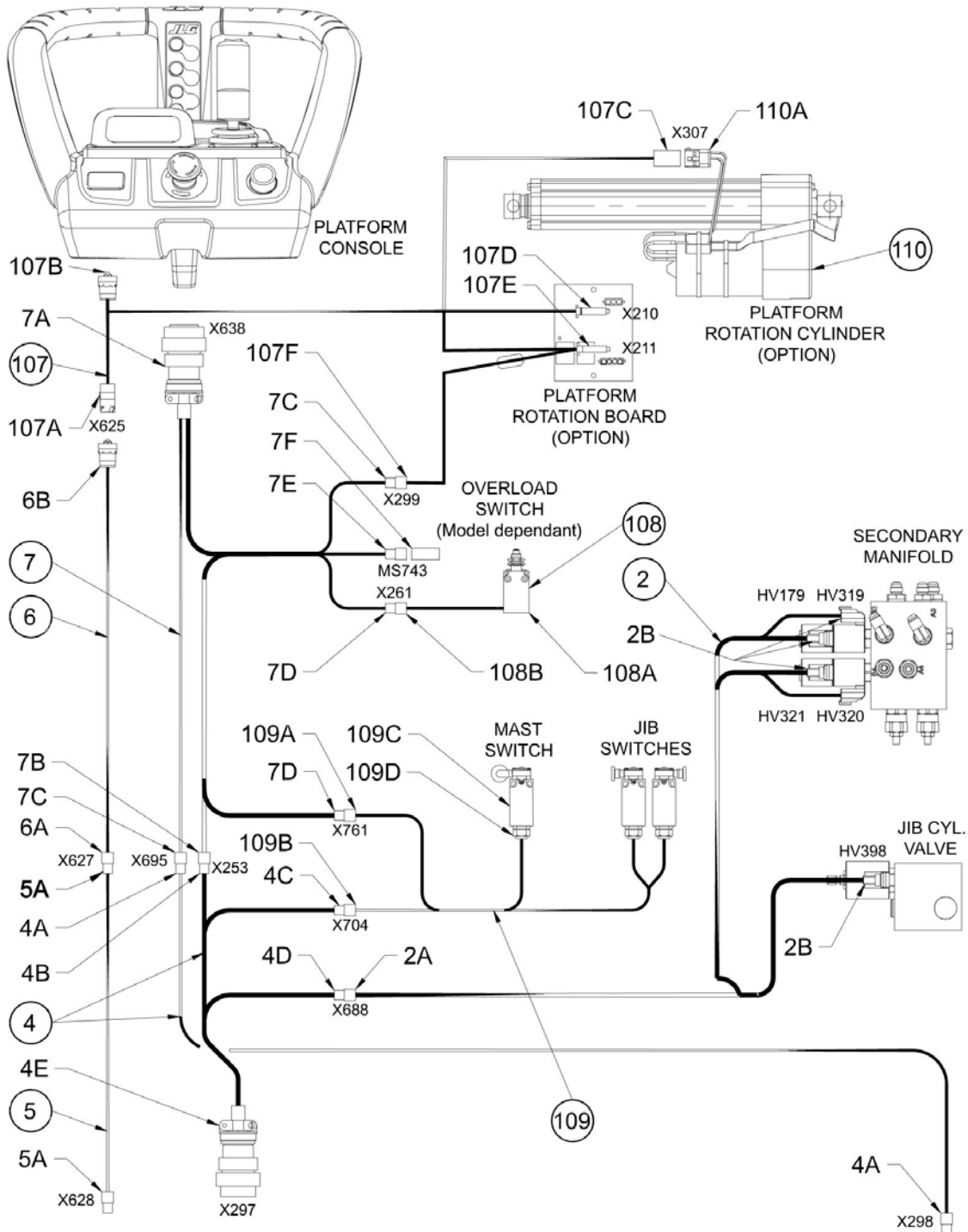
ITEM	PART NUMBER	QTY	DESCRIPTION	REV
0	SE1150	Ref	MANIFOLD, SECONDARY EQUIPPED / BLOC SECONDAIRE EQUIPE	
1	300001	2	90° ELBOW MALE BSPP 1/4-MALE JIC 9/16 / COUDE 90° Male BSPP 1/4 -Male JIC 9/16	
2	300025	4	FITTING MALE BSPP1/4-MALE JIC9/16 / RACCORD MALE BSPP1/4-MALE JIC9/16	
3	300040	3	FITTING MALE BSPP3/8 MALE JIC9/16 / RACCORD MALE BSPP3/8 MALE JIC9/16	
4		Ref	SEE ITEM 100 / VOIR REP 100	
100	520124	Ref	MANIFOLD, SECONDARY / BLOC SECONDAIRE	
110	952128	1	MANIFOLD, RAW SECONDARY / BLOC SECONDAIRE BRUT	
120	952132	1	VALVE, SPOOL, 4-3 / DISTRIBUTEUR 4-3	
130	952132	1	VALVE, SPOOL, 4-3 / DISTRIBUTEUR 4-3	
140	952131	1	VALVE, PILOT, OPERATED / CLAPET PILOTÉ	
150	952161	1	VALVE, PRESSURE CONTROL (185B) / LIMITEUR DE PRESSION (185B)	
160	952162	1	VALVE, PRESSURE CONTROL (160B) / LIMITEUR DE PRESSION (160B)	
170	952129	1	VALVE, CHECK VALVE 18.3B / CLAPET 18.3B	
180	952130	1	VALVE, CHECK VALVE 2.5B / CLAPET 2.5B	
190	952123	4	COIL, SPOOL 4-3 / BOBINE DISTRIBUTEUR	

SECTION 9 - ELECTRICAL SYSTEM INSTALL / INSTALLATION ELECTRIQUE

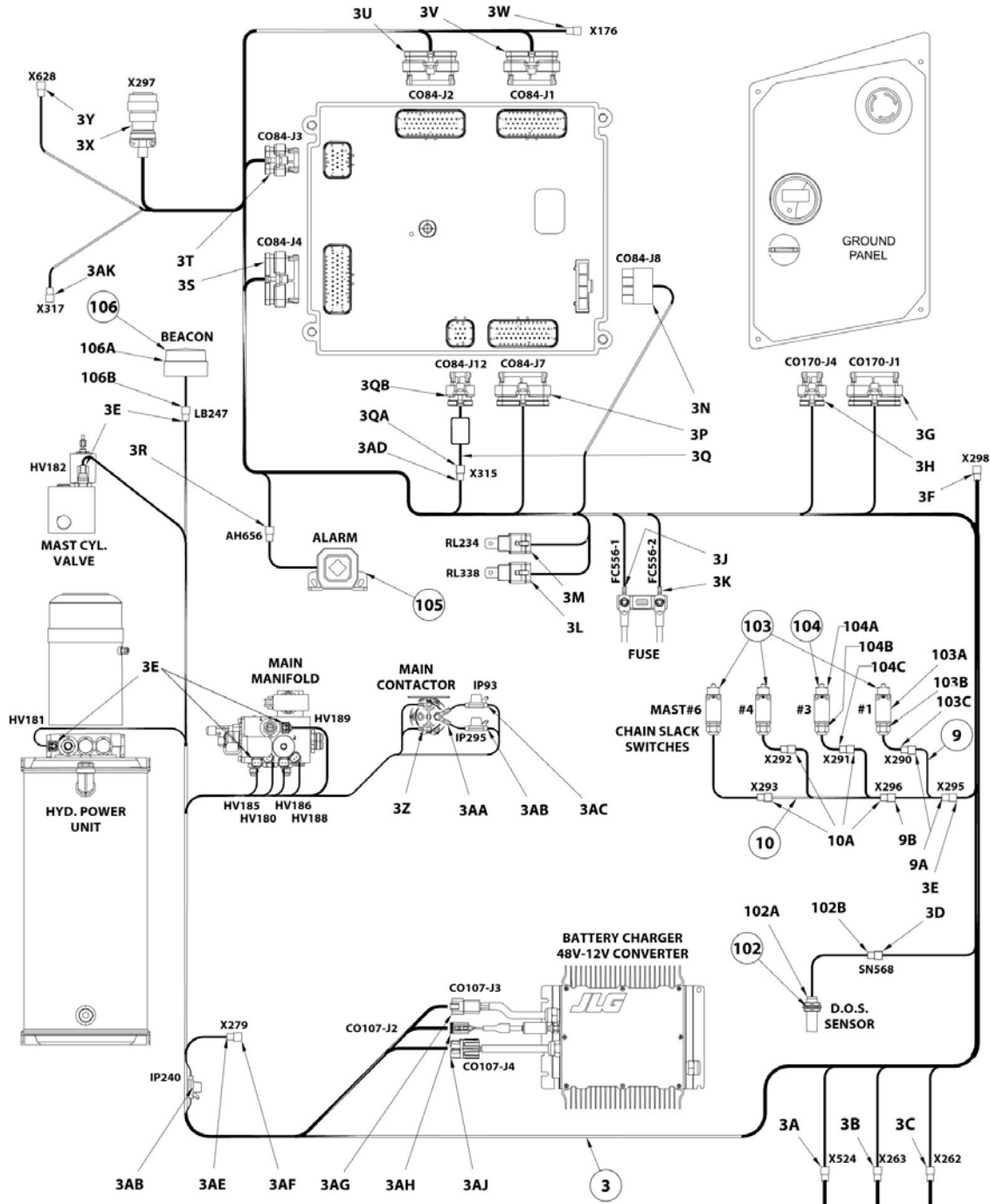
**SECTION 9 - ELECTRICAL SYSTEM INSTALL / INSTALLATION
ELECTRIQUE**

SECTION 9 - ELECTRICAL SYSTEM INSTALL / INSTALLATION ELECTRIQUE

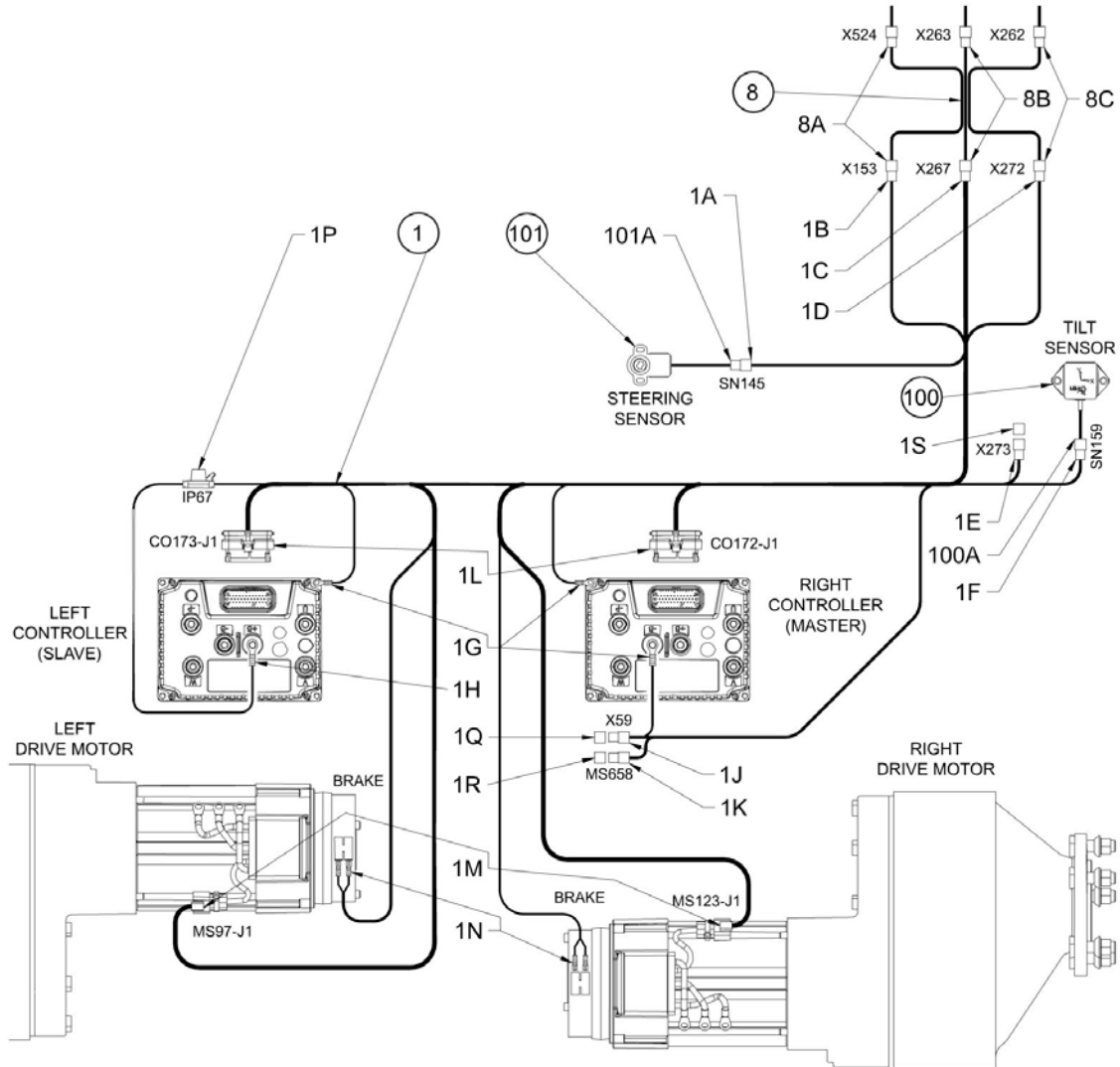
FIGURE 9-1. CABLE INSTALL DIAGRAM / DIAGRAMME D'INSTALLATION CABLES



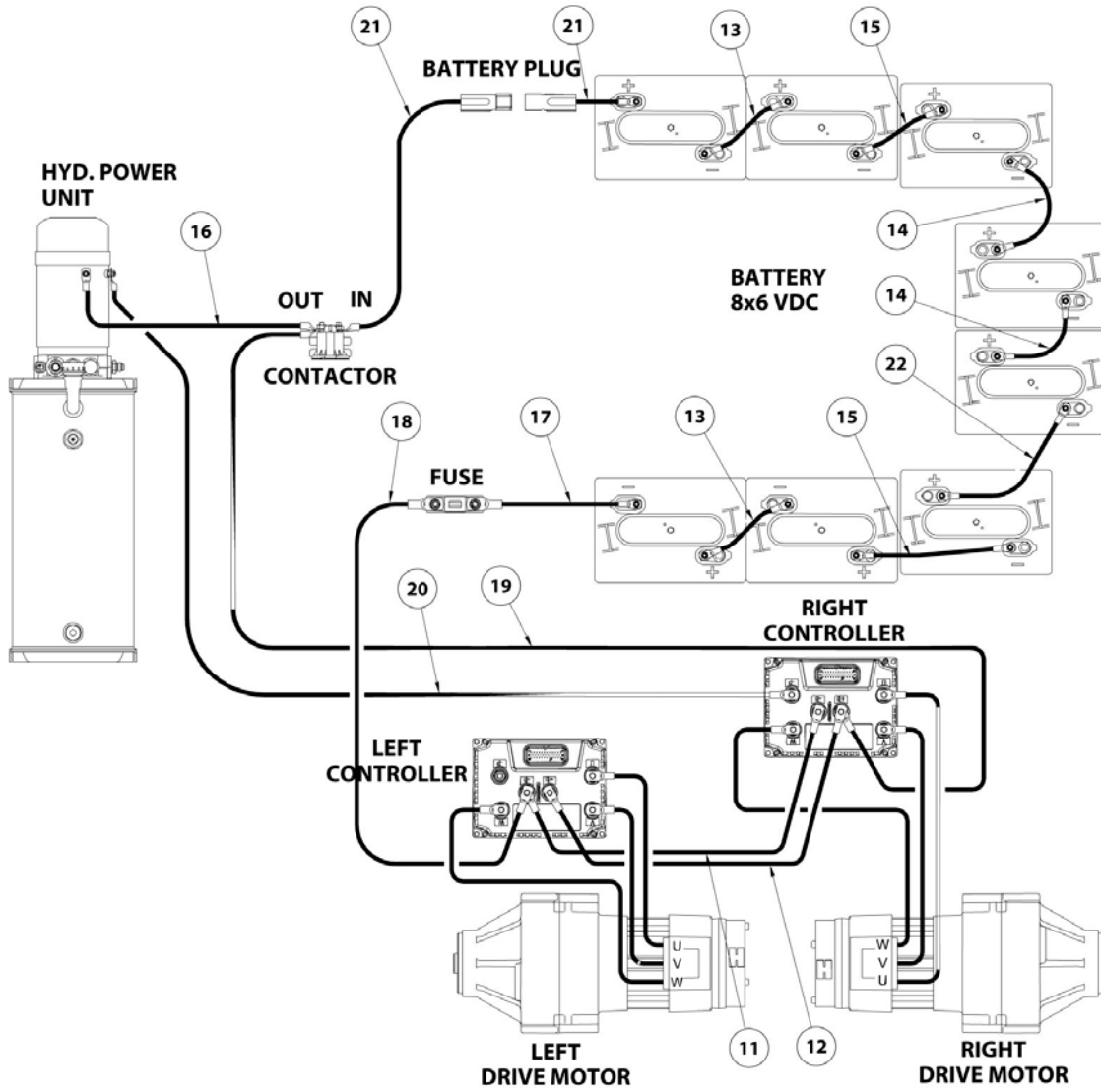
SECTION 9 - ELECTRICAL SYSTEM INSTALL / INSTALLATION ELECTRIQUE



SECTION 9 - ELECTRICAL SYSTEM INSTALL / INSTALLATION ELECTRIQUE



SECTION 9 - ELECTRICAL SYSTEM INSTALL / INSTALLATION ELECTRIQUE



SECTION 9 - ELECTRICAL SYSTEM INSTALL / INSTALLATION ELECTRIQUE

FIGURE 9-1. CABLE INSTALL DIAGRAM / DIAGRAMME D'INSTALLATION CABLES

ITEM	PART NUMBER	QTY	DESCRIPTION	REV
		Ref	CABLES INSTALL; INFO - SP0967 / INSTALLATION CABLES; INFO - SP0967	
0	SA0131	Ref	T12E-T32E - INSTALL, CABLES / T12E-T32E - INSTALLATION CABLES	B
0	SA0132	Ref	T12E Plus - INSTALL, CABLES / T12E Plus - INSTALLATION CABLES	B
1	1001152080	1	HARNESS, DRIVE SYSTEM / FAISCEAU TRANSLATION	
1A	4460539	1	CONNECTOR, DEUTSCH DT 3P PLUG / CONNECTEUR DEUTSCH DT 3P MALE	
1A	4460465	3	CONTACT DEUTSCH DT SOCKET / CONTACT DEUTSCH DT FEMELLE	
1B	1001144147	1	CONNECTOR, DEUTSCH DT 3P PLUG / CONNECTEUR DEUTSCH DT 3P MALE	
1B	4460943	3	CONTACT DEUTSCH DT, GOLD PIN / CONTACT DEUTSCH DT, MALE DORE	
1C	4460884	1	CONNECTOR, DEUTSCH DT 4P PLUG / CONNECTEUR DEUTSCH DT 4P MALE	
1C	4460465	4	CONTACT DEUTSCH DT SOCKET / CONTACT DEUTSCH DT FEMELLE	
1D	4461077	1	CONNECTOR, DEUTSCH DTM 4P PLUG / CONNECTEUR DEUTSCH DTM 4P MALE	
1D	1001126008	4	SOCKET CONTACT DEUTSCH DTM / CONTACT FEMELLE DEUTSCH DTM	
1E	4460891	1	CONNECTOR, DEUTSCH DT 2P PLUG / CONNECTEUR DEUTSCH DT 2P MALE	
1E	4460465	2	CONTACT DEUTSCH DT SOCKET / CONTACT DEUTSCH DT FEMELLE	
1F	1001103012	1	CONNECTOR, HOUSING AMP SUPERSEAL 4P / CONNECTEUR AMP SUPERSEAL 4P	
1F	1001107854	4	SOCKET CONTACT AMP SUPERSEAL / CONTACT FEMELLE AMP SUPERSEAL	
1F	1001104498	4	SEAL AMP SUPERSEAL / JOINT AMP SUPERSEAL	
1G	4460702	3	RED EYELET TERMINAL D1/4 / COSSE A OEIL ISOLEE ROUGE D1/4	
1H	8220058	1	BLUE EYELET TERMINAL D1/4 / COSSE A OEIL ISOLEE BLEUE D1/4	
1J	1001144147	1	CONNECTOR, SOCKET DEUTSCH DT 3P / CONNECTEUR FEMELLE DEUTSCH DT 3P	
1J	4460943	2	CONTACT DEUTSCH DT, GOLD PIN / CONTACT DEUTSCH DT, MALE DORE	
1J	4460466	1	SEALING PLUG / JOINT CONNECTEUR	
1K	4460930	1	CONNECTOR, DEUTSCH DT 8P PLUG / CONNECTEUR DEUTSCH DT 8P MALE	
1K	4460944	8	SOCKET DEUTSCH DT, GOLD PIN / CONTACT DEUTSCH DT, FEMELLE DORE	
1L	4460873	2 x1	CONNECTOR, HOUSING AMP 35P / CONNECTEUR AMP 35P	
1L	4460871	16+12	CONTACT AMPSEAL, SOCKET / CONTACT AMPSEAL, FEMELLE	
1L	4460905	19+23	SEAL PLUG, AMPSEAL / JOINT CONTACT AMPSEAL	
1M	1001126007	2 x1	CONNECTOR, DEUTSCH DTM 6P / CONNECTEUR DEUTSCH DTM 6P	
1M	4460928	2 x6	CONTACT DEUTSCH DTM, SOCKET / CONTACT DEUTSCH DTM FEMELLE	
1N	4460016	4	TERMINAL RECEPTACLE FASTON / COSSE FASTON	

SECTION 9 - ELECTRICAL SYSTEM INSTALL / INSTALLATION ELECTRIQUE

ITEM	PART NUMBER	QTY	DESCRIPTION	REV
1P	2400060	1	FUSE HOLDER WITH COVER / PORTE FUSIBLE AVEC CAPOT	
1P	8229242	1	MINI FUSE 5A / FUSIBLE 5A	
1Q	1001116815	1	CONNECTOR, DEUTSCH DT 3P W RESISTOR / CONNECTEUR DEUTSCH DT 3P AVEC RESISTANCE	
1R	4460984	1	CONNECTOR, DEUTSCH DT 8P PLUG / CONNECTEUR DEUTSCH DT 8P MALE	
1S	1001116816	1	CONNECTOR, DEUTSCH DT 2P W DIODE / CONNECTEUR DEUTSCH DT 2P AVEC DIODE	
2	1001152090	1	HARNESS, MAST VALVE / FAISCEAU BLOC CAGE 6	
2A	4460931	1	CONNECTOR, DEUTSCH DT 8P RECEPTACLE / CONNECTEUR DEUTSCH DT 8P FEMELLE	
2A	4460464	7	CONTACT DEUTSCH DT PIN / CONTACT DEUTSCH DT MALE	
2A	4460466	1	SEALING PLUG / JOINT CONNECTEUR	
2B	4460891	5 x1	CONNECTOR, DEUTSCH DT 2P PLUG / CONNECTEUR DEUTSCH DT 2P MALE	
2B	4460465	5 x2	CONTACT DEUTSCH DT SOCKET / CONTACT DEUTSCH DT FEMELLE	
3	1001152093	1	HARNESS, TURNTABLE / FAISCEAU TOURELLE (Prior to SN A300053009)	B
3	1001190132	1	HARNESS, TURNTABLE / FAISCEAU TOURELLE (SN A300053009 to Present)	B
3A	1001144147	1	CONNECTOR, SOCKET DEUTSCH DT 3P / CONNECTEUR FEMELLE DEUTSCH DT 3P	
3A	4460943	3	CONTACT DEUTSCH DT, GOLD PIN / CONTACT DEUTSCH DT, MALE DORE	
3B	4460884	1	CONNECTOR, DEUTSCH DT 4P PLUG / CONNECTEUR DEUTSCH DT 4P MALE	
3B	4460465	4	CONTACT DEUTSCH DT SOCKET / CONTACT DEUTSCH DT FEMELLE	
3C	4461077	1	CONNECTOR, DEUTSCH DTM 4P PLUG / CONNECTEUR DEUTSCH DTM 4P MALE	
3C	1001126008	4	SOCKET CONTACT DEUTSCH DTM / CONTACT FEMELLE DEUTSCH DTM	
3D	4461077	1	CONNECTOR, DEUTSCH DTM 4P PLUG / CONNECTEUR DEUTSCH DTM 4P MALE	
3D	1001126008	3	SOCKET CONTACT DEUTSCH DTM / CONTACT FEMELLE DEUTSCH DTM	
3D	4460518	1	SEALING PLUG / JOINT CONNECTEUR	
3E	4460891	9 x1	CONNECTOR, DEUTSCH DT 2P PLUG / CONNECTEUR DEUTSCH DT 2P MALE	
3E	4460465	9 x2	CONTACT DEUTSCH DT SOCKET / CONTACT DEUTSCH DT FEMELLE	
3F	1001116812	1	CONNECTOR, DEUTSCH DT 3P MALE / CONNECTEUR DEUTSCH DT 3P MALE	
3F	4460944	3	SOCKET DEUTSCH DT, GOLD PIN / CONTACT DEUTSCH DT, FEMELLE DORE	
3G	4460876	1	CONNECTOR, BLUE 35P AMPSEAL / CONNECTEUR BLEU AMPSEAL 35P	
3G	4460871	29	CONTACT AMPSEAL, SOCKET / CONTACT AMPSEAL, FEMELLE	B
3G	4460905	6	SEAL PLUG, AMPSEAL / JOINT CONTACT AMPSEAL	B
3H	1001116946	1	CONNECTOR, 8P AMPSEAL / CONNECTEUR AMPSEAL 8P	
3H	4460871	6	CONTACT AMPSEAL, SOCKET / CONTACT AMPSEAL, FEMELLE	
3J	250010	1	M08 EYELET TERMINAL 4-6mm ² / COSSE A OEIL ISOLEE M8 - 4-6mm ²	

SECTION 9 - ELECTRICAL SYSTEM INSTALL / INSTALLATION ELECTRIQUE

ITEM	PART NUMBER	QTY	DESCRIPTION	REV
3K	4460670	1	M08 EYELET TERMINAL 1, 3-2mm ² / COSSE A OEIL ISOLEE M8 - 1,3-2mm ²	
3L	1001118282	1	CONNECTOR, METRI-PACK WITH RELAY / CONNECTEUR METRI-PACK AVEC RELAIS (Prior to SN A300053009)	B
3L	3740080	1	RELAY, WATERPROOF 12V / RELAIS ETANCHE 12V (Prior to SN A300053009)	B
3L	1001116733	4	SOCKET METRI-PACK 630 - 3, 3mm ² / COSSE FEMELLE METRI-PACK 630 - 3,3mm ² (Prior to SN A300053009)	B
3L	1001116734	1	SOCKET METRI-PACK 630 - 1-2mm ² / COSSE FEMELLE METRI-PACK 630 - 1-2mm ² (Prior to SN A300053009)	B
3M	1001118282	1	CONNECTOR, METRI-PACK WITH RELAY / CONNECTEUR METRI-PACK AVEC RELAIS (Prior to SN A300053009)	B
3M	3740080	1	RELAY, WATERPROOF 12V / RELAIS ETANCHE 12V (Prior to SN A300053009)	B
3M	1001116733	2	SOCKET METRI-PACK 630 - 3, 3mm ² / COSSE FEMELLE METRI-PACK 630 - 3,3mm ² (Prior to SN A300053009)	B
3M	1001116734	2	SOCKET METRI-PACK 630 - 1-2mm ² / COSSE FEMELLE METRI-PACK 630 - 1-2mm ² (Prior to SN A300053009)	B
3M	1001128128	1	TERMINAL, CAVITY PLUG METRI-PACK / BOUCHON CONNECTEUR METRI-PACK (Prior to SN A300053009)	B
3N	4460878	1	4 POS. MOLEX MINI-FIT SR HOUSING / CONNECTEUR 4 COSSES MOLEX MINI-FIT SR	
3N	4460887	4	CONTACT MOLEX MINI-FIT SR / CONTACT MOLEX MINI-FIT SR	
3P	4460873	1	CONNECTOR, HOUSING AMP 35P / CONNECTEUR AMP 35P	
3P	4460871	19	CONTACT AMPSEAL, SOCKET / CONTACT AMPSEAL, FEMELLE	
3P	4460905	16	SEAL PLUG, AMPSEAL / JOINT CONTACT AMPSEAL	
3Q	1001161254	1	HARNESS, CAN PROTECTION MODULE / FAISCEAU MODULE PROTECTION CAN	
3QA	1001116812	1	CONNECTOR, DEUTSCH DT 3P MALE / CONNECTEUR DEUTSCH DT 3P MALE	
3QA	4460944	3	SOCKET DEUTSCH DT, GOLD PIN / CONTACT DEUTSCH DT, FEMELLE DORE	
3QB	1001113961	1	CONNECTOR, BLACK 8P AMPSEAL / CONNECTEUR NOIR AMPSEAL 8P	
3QB	4460871	5	CONTACT AMPSEAL, SOCKET / CONTACT AMPSEAL, FEMELLE	
3QB	4460905	3	SEAL PLUG, AMPSEAL / JOINT CONTACT AMPSEAL	
3R	4460539	1	CONNECTOR, DEUTSCH DT 3P PLUG / CONNECTEUR DEUTSCH DT 3P MALE	
3R	4460465	3	CONTACT DEUTSCH DT SOCKET / CONTACT DEUTSCH DT FEMELLE	
3S	4460876	1	CONNECTOR, BLUE 35P AMPSEAL / CONNECTEUR BLEU AMPSEAL 35P	
3S	4460871	13	CONTACT AMPSEAL, SOCKET / CONTACT AMPSEAL, FEMELLE	
3S	4460905	22	SEAL PLUG, AMPSEAL / JOINT CONTACT AMPSEAL	
3T	4460872	1	CONNECTOR, 14P AMPSEAL / CONNECTEUR AMPSEAL 14P	
3T	4460871	8	CONTACT AMPSEAL, SOCKET / CONTACT AMPSEAL, FEMELLE	B
3T	4460905	6	SEAL PLUG, AMPSEAL / JOINT CONTACT AMPSEAL	B
3U	4460875	1	CONNECTOR, GREY 35P AMPSEAL / CONNECTEUR GRIS AMPSEAL 35P	
3U	4460871	15	CONTACT AMPSEAL, SOCKET / CONTACT AMPSEAL, FEMELLE	
3U	4460905	20	SEAL PLUG, AMPSEAL / JOINT CONTACT AMPSEAL	
3V	4460874	1	CONNECTOR, NATURAL 35P AMPSEAL / CONNECTEUR BLANC AMPSEAL 35P	
3V	4460871	7	CONTACT AMPSEAL, SOCKET / CONTACT AMPSEAL, FEMELLE	
3V	4460905	28	SEAL PLUG, AMPSEAL / JOINT CONTACT AMPSEAL	
3W	4460761	1	CONNECTOR, HOUSING AMP 4P / CONNECTEUR FEMELLE	

SECTION 9 - ELECTRICAL SYSTEM INSTALL / INSTALLATION ELECTRIQUE

ITEM	PART NUMBER	QTY	DESCRIPTION	REV
3W	4460267	4	AMP 4P CONTACT AMP MATE-N-LOK 0, 5-2mm ² / CONTACT MALE AMP MATE-N-LOK 0,5-2mm ²	
3X	4460754	1	CONNECTOR, DEUTSCH HD 14P PLUG / CONNECTEUR DEUTSCH HD 14P MALE	
3X	4460942	2	CONTACT DEUTSCH DT SOCKET 1, 3-2mm ² / CONTACT DEUTSCH DT FEMELLE 1,3-2mm ²	
3X	4460465	10	CONTACT DEUTSCH DT SOCKET / CONTACT DEUTSCH DT FEMELLE	
3X	4460466	2	SEALING PLUG / JOINT CONNECTEUR	
3Y	4460536	1	CONNECTOR, DEUTSCH DT 3P RECEPTACLE / CONNECTEUR DEUTSCH DT 3P FEMELLE	
3Y	1001116693	3	CONTACT DEUTSCH 0, 8-2mm ² / COSSE MALE DEUTSCH 0,8-2mm ²	
3Z	4460042	2	D4, 8 EYELET BLUE TERMINAL 1, 3-2mm ² / COSSE A OEIL BLEUE ISOLEE D4,8 - 1,3-2mm ²	
3AA	8220045	2	D4, 8 EYELET YELLOW TERMINAL 3, 3-5, 3mm ² / COSSE A OEIL JAUNE ISOLEE D4,8 - 3,3-5,3mm ²	
3AB	2400060	2 x1	FUSE HOLDER WITH COVER / PORTE FUSIBLE AVEC CAPOT	
3AB	80983191	2 x1	MINI FUSE 10A / FUSIBLE 10A	
3AC	2400060	1	FUSE HOLDER WITH COVER / PORTE FUSIBLE AVEC CAPOT	
3AC	8229245	1	MINI FUSE 30A / FUSIBLE 30A	
3AD	1001144147	1	CONNECTOR, SOCKET DEUTSCH DT 3P / CONNECTEUR FEMELLE DEUTSCH DT 3P	
3AD	4460943	3	CONTACT DEUTSCH DT, GOLD PIN / CONTACT DEUTSCH DT, MALE DORE	
3AE	4460884	1	CONNECTOR, DEUTSCH DT 4P PLUG / CONNECTEUR DEUTSCH DT 4P MALE (Prior to SN A300053009)	B
3AE	4460465	2	CONTACT DEUTSCH DT SOCKET / CONTACT DEUTSCH DT FEMELLE (Prior to SN A300053009)	B
3AE	4460466	2	SEALING PLUG / JOINT CONNECTEUR (Prior to SN A300053009)	B
3AF	4460932	1	CONNECTOR, DEUTSCH DT 4P RECEPTACLE / CONNECTEUR DEUTSCH DT 4P FEMELLE (Prior to SN A300053009)	B
3AF	1001156692	1	CAP, HEAT SHRINKABLE END / BOUCHON THERMORETRACTABLE (Prior to SN A300053009)	B
3AG	1001116810	1	CONNECTOR, DEUTSCH DTP 4P MALE / CONNECTEUR DEUTSCH DTP 4P MALE	
3AG	1001150611	2	SOCKET DEUTSCH 3, 3-5mm ² / COSSE FEMELLE DEUTSCH 3,3-5mm ²	
3AG	4460509	2	SOCKET DEUTSCH 2-3, 3mm ² / COSSE FEMELLE DEUTSCH 2-3,3mm ²	
3AH	4460931	1	CONNECTOR, DEUTSCH DT 8P RECEPTACLE / CONNECTEUR DEUTSCH DT 8P FEMELLE	
3AH	4460464	6	CONTACT DEUTSCH DT PIN / CONTACT DEUTSCH DT MALE	
3AH	4460466	2	SEALING PLUG / JOINT CONNECTEUR	
3AJ	1001151788	1	CONNECTOR, 4P APP PLUG / CONNECTEUR APP 4P	
3AJ	1001151824	5	CONTACT PP75 SB50 / CONTACT PP75 SB50	
3AK	4460884	1	PLUG,4-PIN CONNECTOR (IF EQUIPPED) / CONNECTEUR 4 BROCHES (SI EQUIPPE)	
3AK	4460465	4	CONTACT DEUTSCH DT SOCKET (IF EQUIPPED) / CONTACT DEUTSCH DT FEMELLE (SI EQUIPPE)	
3AK	1001192401	1	CONNECTOR,DUST CAP (IF EQUIPPED) / PROTECTION CONNECTEUR (SI EQUIPPE)	
4	1001152094	1	HARNESS, MAST / FAISCEAU MAT PRINCIPAL	

SECTION 9 - ELECTRICAL SYSTEM INSTALL / INSTALLATION ELECTRIQUE

ITEM	PART NUMBER	QTY	DESCRIPTION	REV
4A	1001144147	2 x1	CONNECTOR, SOCKET DEUTSCH DT 3P / CONNECTEUR FEMELLE DEUTSCH DT 3P	
4A	4460943	2 x3	CONTACT DEUTSCH DT, GOLD PIN / CONTACT DEUTSCH DT, MALE DORE	
4B	4460899	1	CONNECTOR, DEUTSCH DT 6P RECEPTACLE / CONNECTEUR DEUTSCH DT 6P FEMELLE	
4B	4460464	5	CONTACT DEUTSCH DT PIN / CONTACT DEUTSCH DT MALE	
4B	4460466	1	SEALING PLUG / JOINT CONNECTEUR	
4C	4460897	1	CONNECTOR, DEUTSCH DT 2P RECEPTACLE / CONNECTEUR DEUTSCH DT 2P FEMELLE	
4C	4460464	2	CONTACT DEUTSCH DT PIN / CONTACT DEUTSCH DT MALE	
4D	4460930	1	CONNECTOR, DEUTSCH DT 8P PLUG / CONNECTEUR DEUTSCH DT 8P MALE	
4D	4460465	7	CONTACT DEUTSCH DT SOCKET / CONTACT DEUTSCH DT FEMELLE	
4D	4460466	1	SEALING PLUG / JOINT CONNECTEUR	
4E	1001156541	1	CONNECTOR, DEUTSCH DT 14P RECEPTACLE / CONNECTEUR DEUTSCH DT 14P FEMELLE	
4E	4460464	12	CONTACT DEUTSCH DT PIN / CONTACT DEUTSCH DT MALE	
4E	4460466	2	SEALING PLUG / JOINT CONNECTEUR	
5	1001152095	1	CABLE, MAST E-STOP / CABLE ARRET D'URGENCE MAT	
5A	4460539	2 x1	CONNECTOR, DEUTSCH DT 3P PLUG / CONNECTEUR DEUTSCH DT 3P MALE	
5A	1001116692	2 x3	SOCKET DEUTSCH 0, 8-2mm ² / COSSE FEMELLE DEUTSCH 0,8-2mm ²	
6	1001152162	1	T12E-T32E - CABLE, PLATFORM E-STOP / T12E-T32E - CABLE ARRET D'URGENCE PLATE-FORME	
6	1001152163	1	T12E Plus - CABLE, PLATFORM E-STOP / T12E Plus - CABLE ARRET D'URGENCE PLATE-FORME	
6A	4460536	1	CONNECTOR, DEUTSCH DT 3P RECEPTACLE / CONNECTEUR DEUTSCH DT 3P FEMELLE	
6A	1001116693	3	CONTACT DEUTSCH 0, 8-2mm ² / COSSE MALE DEUTSCH 0,8-2mm ²	
6B	4460967	1	CONNECTOR DEUTSCH HD 3P / CONNECTEUR DEUTSCH HD 3P	
6B	1001116692	3	SOCKET DEUTSCH 0, 8-2mm ² / COSSE FEMELLE DEUTSCH 0,8-2mm ²	
7	1001152164	1	T12E-T32E - HARNESS, JIB / T12E-T32E - FAISCEAU BRAS	
7	1001152165	1	T12E Plus - HARNESS, JIB / T12E Plus - FAISCEAU BRAS	
7A	4460754	1	CONNECTOR, DEUTSCH HD 14P PLUG / CONNECTEUR DEUTSCH HD 14P MALE	
7A	4460465	8	CONTACT DEUTSCH DT SOCKET / CONTACT DEUTSCH DT FEMELLE	
7A	4460944	4	SOCKET DEUTSCH DT, GOLD PIN / CONTACT DEUTSCH DT, FEMELLE DORE	
7A	4460466	2	SEALING PLUG / JOINT CONNECTEUR	
7B	4460894	1	CONNECTOR, DEUTSCH DT 6P PLUG / CONNECTEUR DEUTSCH DT 6P MALE	
7B	4460465	5	CONTACT DEUTSCH DT SOCKET / CONTACT DEUTSCH DT FEMELLE	
7B	4460466	1	SEALING PLUG / JOINT CONNECTEUR	
7C	1001116812	2 x1	CONNECTOR, DEUTSCH DT 3P MALE / CONNECTEUR DEUTSCH DT 3P MALE	

SECTION 9 - ELECTRICAL SYSTEM INSTALL / INSTALLATION ELECTRIQUE

ITEM	PART NUMBER	QTY	DESCRIPTION	REV
7C	4460944	2 x3	SOCKET DEUTSCH DT, GOLD PIN / CONTACT DEUTSCH DT, FEMELLE DORE	
7D	4460932	2 x1	CONNECTOR, DEUTSCH DT 4P RECEPTACLE / CONNECTEUR DEUTSCH DT 4P FEMELLE	
7D	4460464	2 x4	CONTACT DEUTSCH DT PIN / CONTACT DEUTSCH DT MALE	
7E	4460851	1	CONNECTOR, DEUTSCH DT 8P PLUG / CONNECTEUR DEUTSCH DT 8P MALE	
7E	4460465	4	CONTACT DEUTSCH DT SOCKET / CONTACT DEUTSCH DT FEMELLE	
7E	4460466	4	SEALING PLUG / JOINT CONNECTEUR	
7F	4460852	1	CONNECTOR, DEUTSCH DT 8P SOCKET / CONNECTEUR DEUTSCH DT 8P FEMELLE	
8	1001152567	1	HARNESS, FRAME POWER TRACK / FAISCEAU CHASSIS	
8A	1001116812	2 x1	CONNECTOR, DEUTSCH DT 3P MALE / CONNECTEUR DEUTSCH DT 3P MALE	
8A	4460944	2 x3	SOCKET DEUTSCH DT, GOLD PIN / CONTACT DEUTSCH DT, FEMELLE DORE	
8B	4460932	2 x1	CONNECTOR, DEUTSCH DT 4P RECEPTACLE / CONNECTEUR DEUTSCH DT 4P FEMELLE	
8B	4460464	2 x4	CONTACT DEUTSCH DT PIN / CONTACT DEUTSCH DT MALE	
8C	1001097051	2 x1	CONNECTOR, DEUTSCH DTM 4P FEMALE / CONNECTEUR DEUTSCH DTM 4P FEMELLE	
8C	1001126011	2 x4	CONTACT DEUTSCH DTM / CONTACT MALE DTM	
9	1001157456	1	HARNESS, CHAIN SLACK MAST 1 / FAISCEAU MOU DE CHAINE MAT 1	
9A	4460897	2 x1	CONNECTOR, DEUTSCH DT 2P RECEPTACLE / CONNECTEUR DEUTSCH DT 2P FEMELLE	
9A	4460464	2 x2	CONTACT DEUTSCH DT PIN / CONTACT DEUTSCH DT MALE	
9B	4460891	1	CONNECTOR, DEUTSCH DT 2P PLUG / CONNECTEUR DEUTSCH DT 2P MALE	
9B	4460465	2	CONTACT DEUTSCH DT SOCKET / CONTACT DEUTSCH DT FEMELLE	
10	1001157457	1	HARNESS, CHAIN SLACK MAST 3/4/6 / FAISCEAU MOU DE CHAINE MAT 3/4/6	
10A	4460897	4 x1	CONNECTOR, DEUTSCH DT 2P RECEPTACLE / CONNECTEUR DEUTSCH DT 2P FEMELLE	
10A	4460464	4 x2	CONTACT DEUTSCH DT PIN / CONTACT DEUTSCH DT MALE	
0	SE1162	Ref	KIT, POWER CABLES / KIT CABLES DE PUISSANCE	
11	PC0483	1	CABLE 35mm ² LENGTH 590mm BLUE / CABLE 35mm ² LONG 590mm BLEU	
12	PC0484	1	CABLE 35mm ² LENGTH 590mm RED / CABLE 35mm ² LONG 590mm ROUGE	
13	PC0549	2	CABLE 35mm ² LENGTH 180mm ² BLACK / CABLE 35mm ² LONG 180mm ² NOIR	B
14	PC0550	2	CABLE 35mm ² LENGTH 320mm ² BLACK / CABLE 35mm ² LONG 320mm ² NOIR	
15	PC0551	2	CABLE 35mm ² LENGTH 1480mm ² BLACK / CABLE 35mm ² LONG 1480mm ² NOIR	
16	PC0552	1	CABLE 35mm ² LENGTH 700mm ² RED / CABLE 35mm ² LONG 700mm ² ROUGE	
17	PC0553	1	CABLE 35mm ² LENGTH 1000mm ² BLUE / CABLE 35mm ² LONG 1000mm ² BLEU	

SECTION 9 - ELECTRICAL SYSTEM INSTALL / INSTALLATION ELECTRIQUE

ITEM	PART NUMBER	QTY	DESCRIPTION	REV
18	PC0554	1	CABLE 35mm ² LENGTH 3970mm ² BLUE / CABLE 35mm ² LONG 3970mm BLEU	
19	PC0555	1	CABLE 35mm ² LENGTH 4600mm ² RED / CABLE 35mm ² LONG 4600mm ROUGE	
20	PC0556	1	CABLE 25mm ² LENGTH 4950mm ² BLACK / CABLE 25mm ² LONG 4950mm NOIR	
21	PC0557	2	CABLE 35mm ² LENGTH 400mm ² RED / CABLE 35mm ² LONG 400mm ROUGE	
22	1001223304	1	CABLE 35mm ² LENGTH 390mm BLACK / CABLE 35mm ² LONG 390mm NOIR	B
100	1001151895	1	HARNESS, TILT SENSOR SWITCH / FAISCEAU CAPTEUR DE DEVERS	
100A	1001103012	1	CONNECTOR, HOUSING AMP SUPERSEAL 4P / CONNECTEUR AMP SUPERSEAL 4P	
100A	1001107854	4	SOCKET CONTACT AMP SUPERSEAL / CONTACT FEMELLE AMP SUPERSEAL	
101	4360505	1	ROTARY ANGLE SENSOR / CAPTEUR D'ANGLE	
101A	4460536	1	CONNECTOR, DEUTSCH DT 3P RECEPTACLE / CONNECTEUR DEUTSCH DT 3P FEMELLE	
101A	4460464	3	CONTACT DEUTSCH DT PIN / CONTACT DEUTSCH DT MALE	
102	4000008	1	PROXIMITY SENSOR ASSEMBLY / FAISCEAU DETECTEUR DE PROXIMITE	
102A	4000007	1	SENSOR, PROXIMITY / DETECTEUR DE PROXIMITE	
102B	4461076	1	CONNECTOR, DEUTSCH DTM 4P RECEPTACLE / CONNECTEUR DEUTSCH DTM 4P FEMELLE	
102B	4460917	4	CONTACT DEUTSCH DTM, GOLD PIN / CONTACT DEUTSCH DTM MALE DORE	
103	1001157803	3 x1	SWITCH, CHAIN SLACK L1 / CAPTEUR MOU DE CHAINE L1	
103A	260327	3 x1	NO/NC SWITCH PG11 / CAPTEUR NO/NF PE11	
103B	210018	3 x1	GLAND N°11 / PRESSE ETOUPE N°11	
103C	4460891	3 x1	CONNECTOR, DEUTSCH DT 2P PLUG / CONNECTEUR DEUTSCH DT 2P MALE	
103C	4460465	3 x2	CONTACT DEUTSCH DT SOCKET / CONTACT DEUTSCH DT FEMELLE	
104	1001157804	1	SWITCH, CHAIN SLACK L2 / CAPTEUR MOU DE CHAINE L2	
104A	260327	1	NO/NC SWITCH PG11 / CAPTEUR NO/NF PE11	
104B	210018	1	GLAND N°11 / PRESSE ETOUPE N°11	
104C	4460891	1	CONNECTOR, DEUTSCH DT 2P PLUG / CONNECTEUR DEUTSCH DT 2P MALE	
104C	4460465	2	CONTACT DEUTSCH DT SOCKET / CONTACT DEUTSCH DT FEMELLE	
105	0140043	1	ALARM, MOTION/DESCENT/HORN / ALARME MOUVEMENTS ET KLAXON	
106	PC0534	1	HARNESS, BEACON / FAISCEAU FEU A ECLATS	
106A	260329	1	FLASHING LIGHT / FEU A ECLAT	
106B	4460897	1	CONNECTOR, DEUTSCH DT 2P RECEPTACLE / CONNECTEUR DEUTSCH DT 2P FEMELLE	
106B	4460464	2	CONTACT DEUTSCH DT PIN / CONTACT DEUTSCH DT MALE	

SECTION 9 - ELECTRICAL SYSTEM INSTALL / INSTALLATION ELECTRIQUE

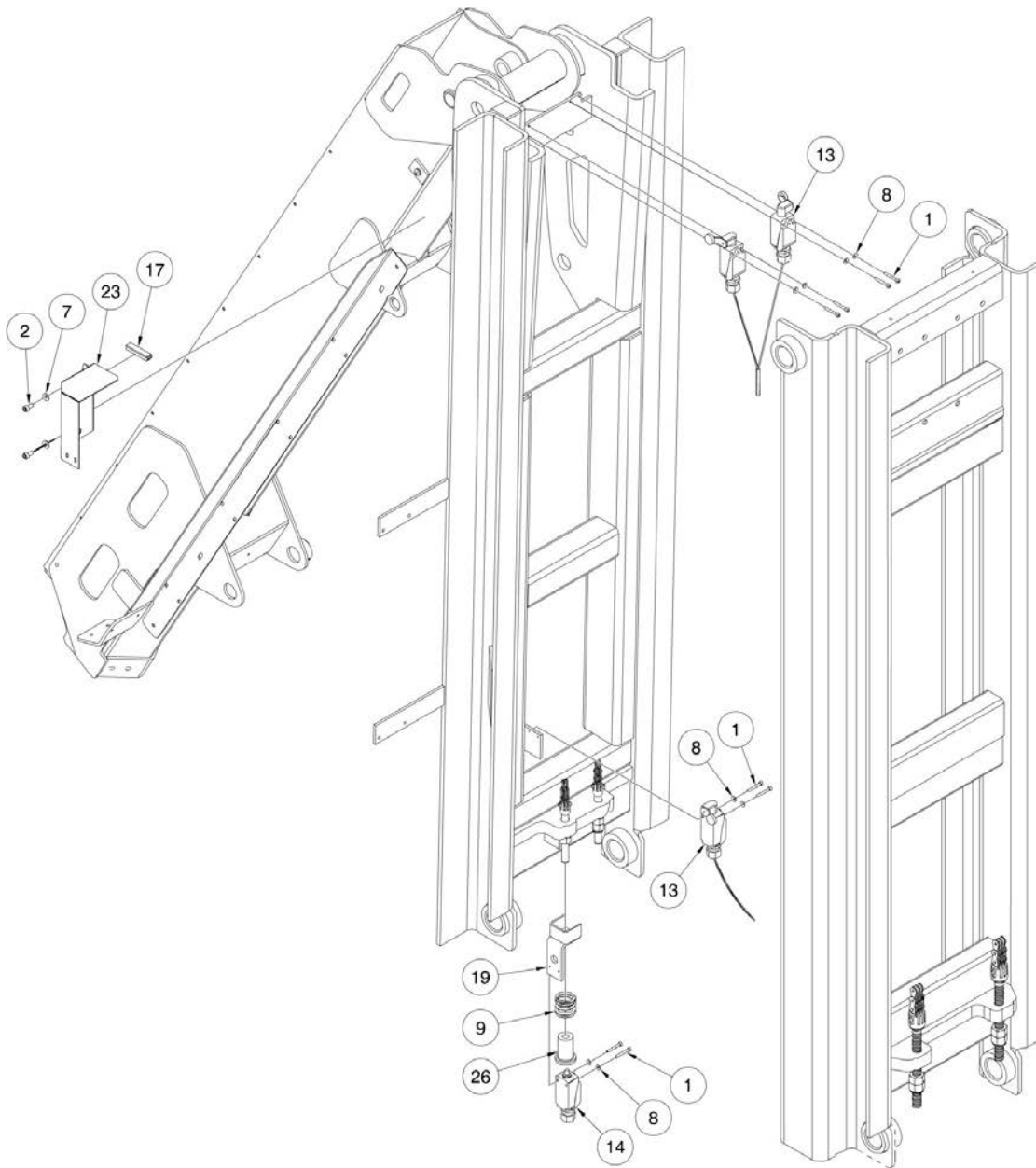
ITEM	PART NUMBER	QTY	DESCRIPTION	REV
107	1001159127	1	HARNESS, PLATFORM ROTATE / FAISCEAU ROTATION PLATE-FORME; INFO - OPTION	
107A	4460967	1	CONNECTOR DEUTSCH HD 3P / CONNECTEUR DEUTSCH HD 3P	
107A	1001116692	2	SOCKET DEUTSCH 0, 8-2mm ² / COSSE FEMELLE DEUTSCH 0,8-2mm ²	
107A	4460466	1	SEALING PLUG / JOINT CONNECTEUR	
107B	1001154726	1	CONNECTOR DEUTSCH HD 3P / CONNECTEUR DEUTSCH HD 3P	
107B	1001116693	3	CONTACT DEUTSCH 0, 8-2mm ² / COSSE MALE DEUTSCH 0,8-2mm ²	
107C	4460326	1	CONNECTOR MATE-N-LOK 3P MALE / CONNECTEUR MATE-N-LOK 3P MALE	
107C	4460227	2	CONTACT AMP MATE-N-LOK 0, 2-0, 8mm ² / CONTACT MALE AMP MATE-N-LOK 0,2-0,8mm ²	
107C	1001159298	1	3 POSITIONS WIRE SEAL / JOINT ARRIERE CONNECTEUR 3 CTS	
107C	1001159300	1	3 POSITIONS INTERFACE SEAL / JOINT INTERFACE CONNECTEUR 3 CTS	
107D	4460326	1	CONNECTOR MATE-N-LOK 3P MALE / CONNECTEUR MATE-N-LOK 3P MALE	
107D	4460268	3	SOCKET, CONTACT AMP MATE-N-LOK 0, 5-2mm ² / CONTACT FEMELLE AMP MATE-N-LOK 0,5-2mm ²	
107D	1001159298	1	3 POSITIONS WIRE SEAL / JOINT ARRIERE CONNECTEUR 3 CTS	
107D	1001159300	1	3 POSITIONS INTERFACE SEAL / JOINT INTERFACE CONNECTEUR 3 CTS	
107E	4460321	1	CONNECTOR MATE-N-LOK 4P MALE / CONNECTEUR MATE-N-LOK 4P MALE	
107E	4460226	2	SOCKET, CONTACT AMP MATE-N-LOK 0, 2-0, 8mm ² / CONTACT FEMELLE AMP MATE-N-LOK 0,2-0,8mm ²	
107E	4460268	2	SOCKET, CONTACT AMP MATE-N-LOK 0, 5-2mm ² / CONTACT FEMELLE AMP MATE-N-LOK 0,5-2mm ²	
107E	1001159297	1	4 POSITIONS WIRE SEAL / JOINT ARRIERE CONNECTEUR 4 CTS	
107E	1001159299	1	4 POSITIONS INTERFACE SEAL / JOINT INTERFACE CONNECTEUR 4 CTS	
107F	1001144147	1	CONNECTOR, SOCKET DEUTSCH DT 3P / CONNECTEUR FEMELLE DEUTSCH DT 3P	
107F	4460943	2	CONTACT DEUTSCH DT, GOLD PIN / CONTACT DEUTSCH DT, MALE DORE	
107F	4460466	1	SEALING PLUG / JOINT CONNECTEUR	
108	PC0468	1	HARNESS, LOAD SENSING SWITCH / FAISCEAU CAPTEUR DE SURCHARGE	
108A	260321	1	LIMIT SWITCH, SNAP ACTION / DETECTEUR DE POSITION A POUSSOIR	
108B	4460884	1	CONNECTOR, DEUTSCH DT 4P PLUG / CONNECTEUR DEUTSCH DT 4P MALE	
108B	4460465	4	CONTACT DEUTSCH DT SOCKET / CONTACT DEUTSCH DT FEMELLE	
109	1001152091	1	HARNESS, JIB SWITCHES / FAISCEAU CAPTEUR BRAS	
109A	4460884	1	CONNECTOR, DEUTSCH DT 4P PLUG / CONNECTEUR DEUTSCH DT 4P MALE	
109A	4460465	4	CONTACT DEUTSCH DT SOCKET / CONTACT DEUTSCH DT FEMELLE	

SECTION 9 - ELECTRICAL SYSTEM INSTALL / INSTALLATION ELECTRIQUE

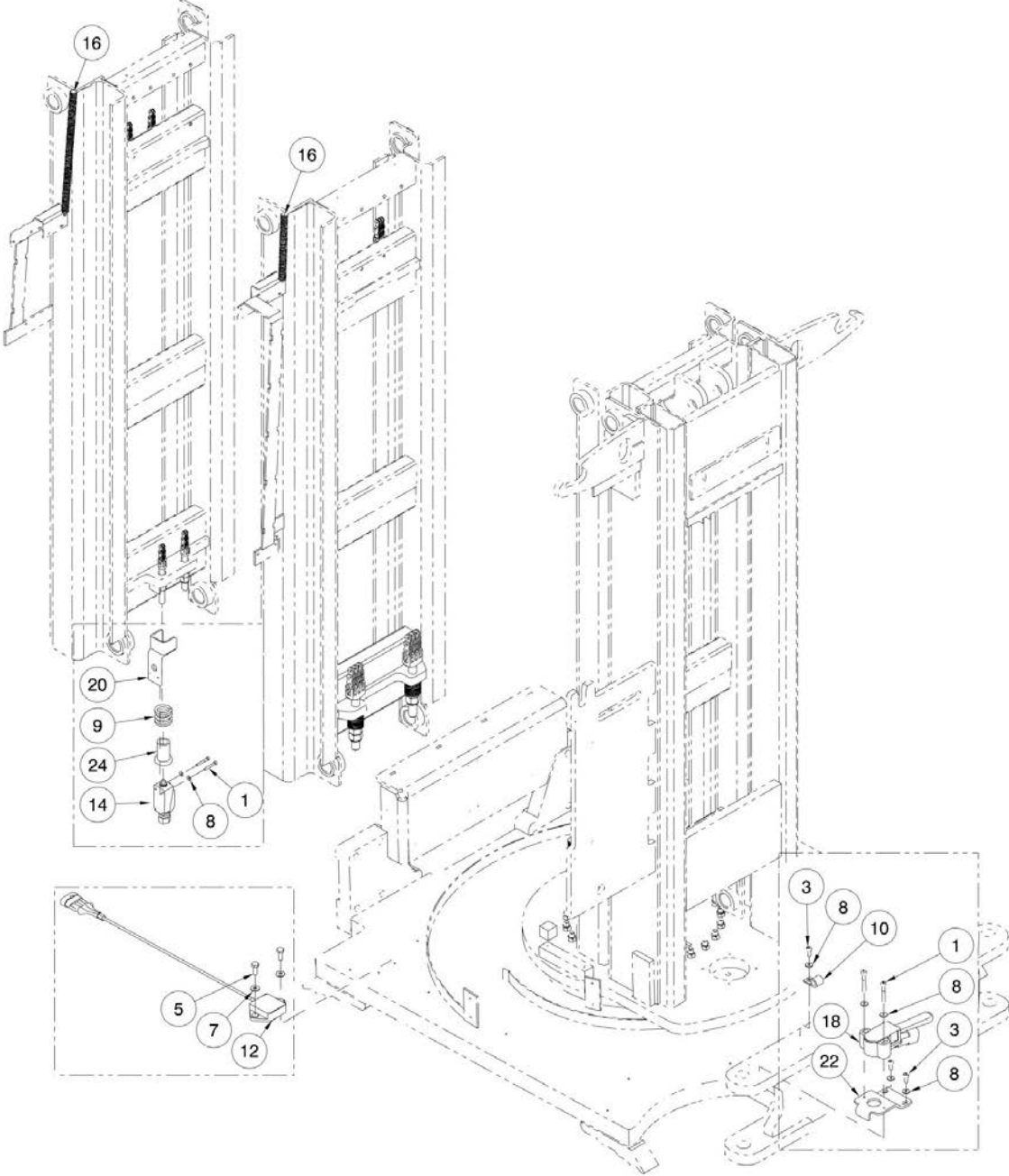
ITEM	PART NUMBER	QTY	DESCRIPTION	REV
109B	4460891	1	CONNECTOR, DEUTSCH DT 2P PLUG / CONNECTEUR DEUTSCH DT 2P MALE	
109B	4460465	2	CONTACT DEUTSCH DT SOCKET / CONTACT DEUTSCH DT FEMELLE	
109C	260323	3	NO/NC SWITCH PG11 / CAPTEUR NO/NF PE11	
109D	210018	3	GLAND N°11 / PRESSE ETOUPE N°11	
110	SE0933	1	CYLINDER, PLATFORM ROTATION EQUIPPED / VERIN DE ROTATION PLATE-FORME EQUIPE	
110A	250141	1	3 POSITIONS "MNL" CAP HOUSING / CONNECTEUR FEMELLE 3 CTS "MNL"	
110A	250144	1	3 POSITIONS WIRE SEAL / JOINT ARRIERE CONNECTEUR 3 CTS	
110A	210033	2	SOCKET CONTACT "MATE-N-LOK" / CONTACT FEMELLE "MATE-N-LOK"	

SECTION 9 - ELECTRICAL SYSTEM INSTALL / INSTALLATION ELECTRIQUE

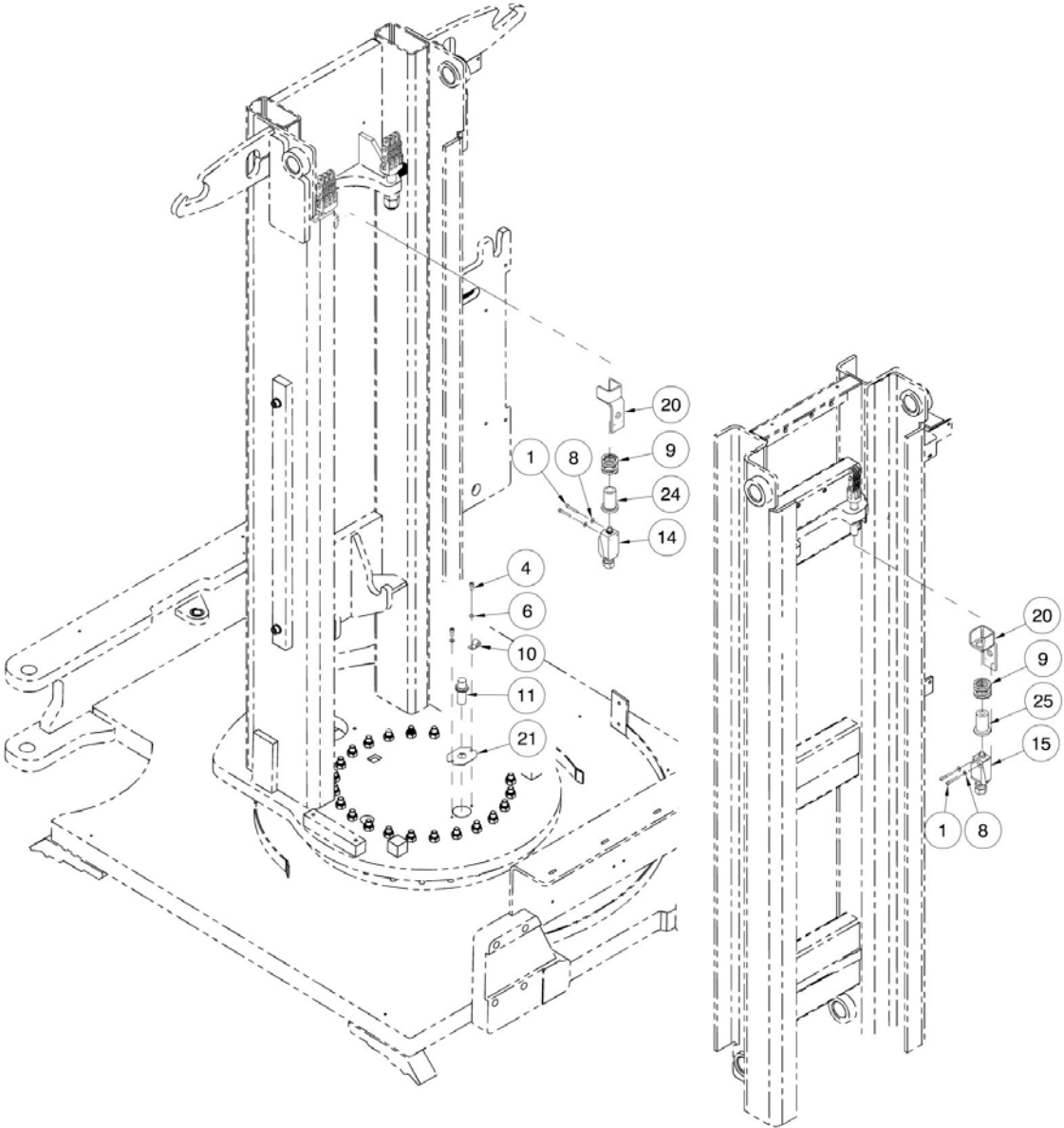
FIGURE 9-2. LIMIT SWITCHES AND COVERS / INSTALLATION CAPTEURS



SECTION 9 - ELECTRICAL SYSTEM INSTALL / INSTALLATION ELECTRIQUE



SECTION 9 - ELECTRICAL SYSTEM INSTALL / INSTALLATION ELECTRIQUE



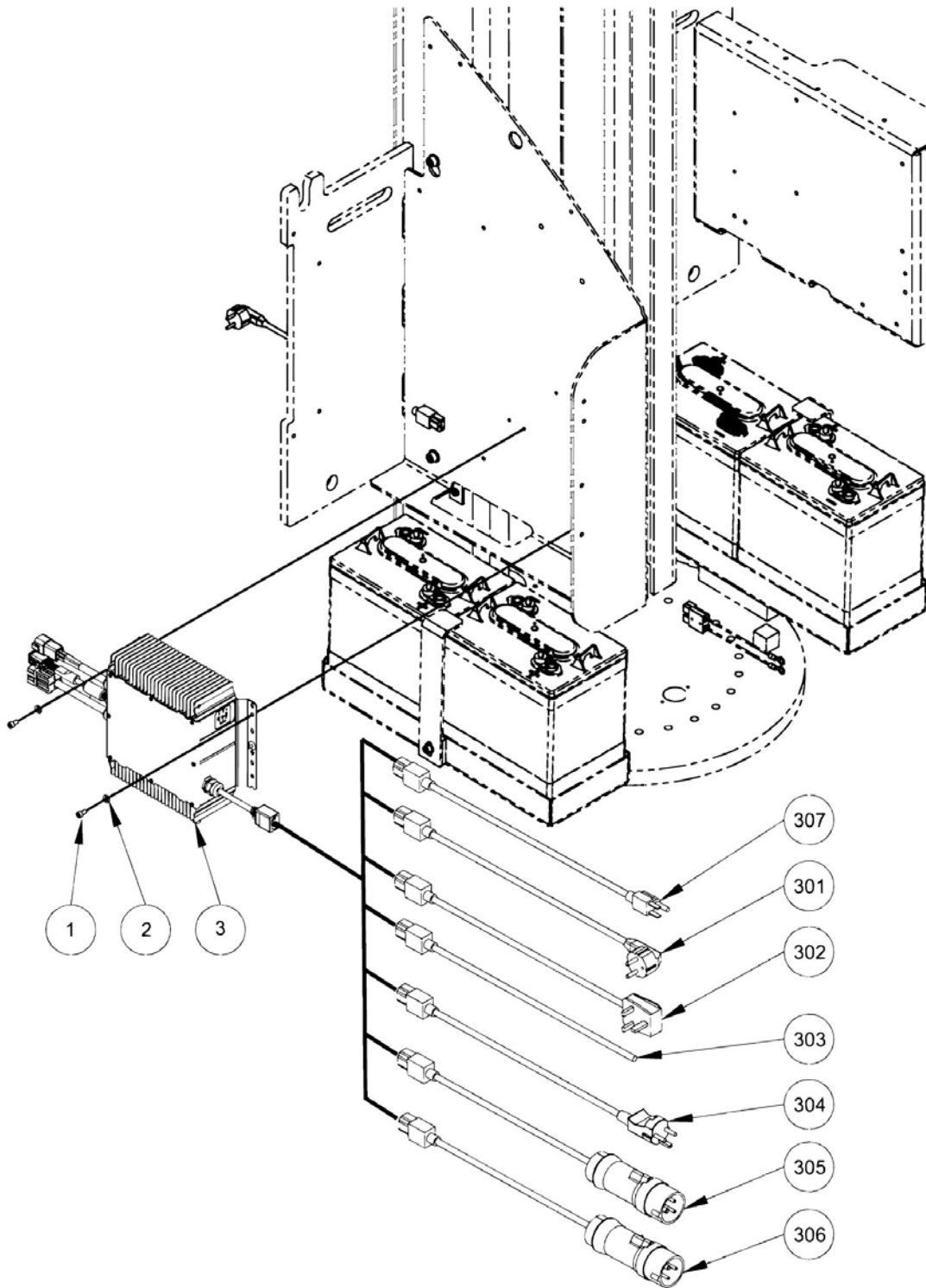
SECTION 9 - ELECTRICAL SYSTEM INSTALL / INSTALLATION ELECTRIQUE

FIGURE 9-2. LIMIT SWITCHES AND COVERS / INSTALLATION CAPTEURS

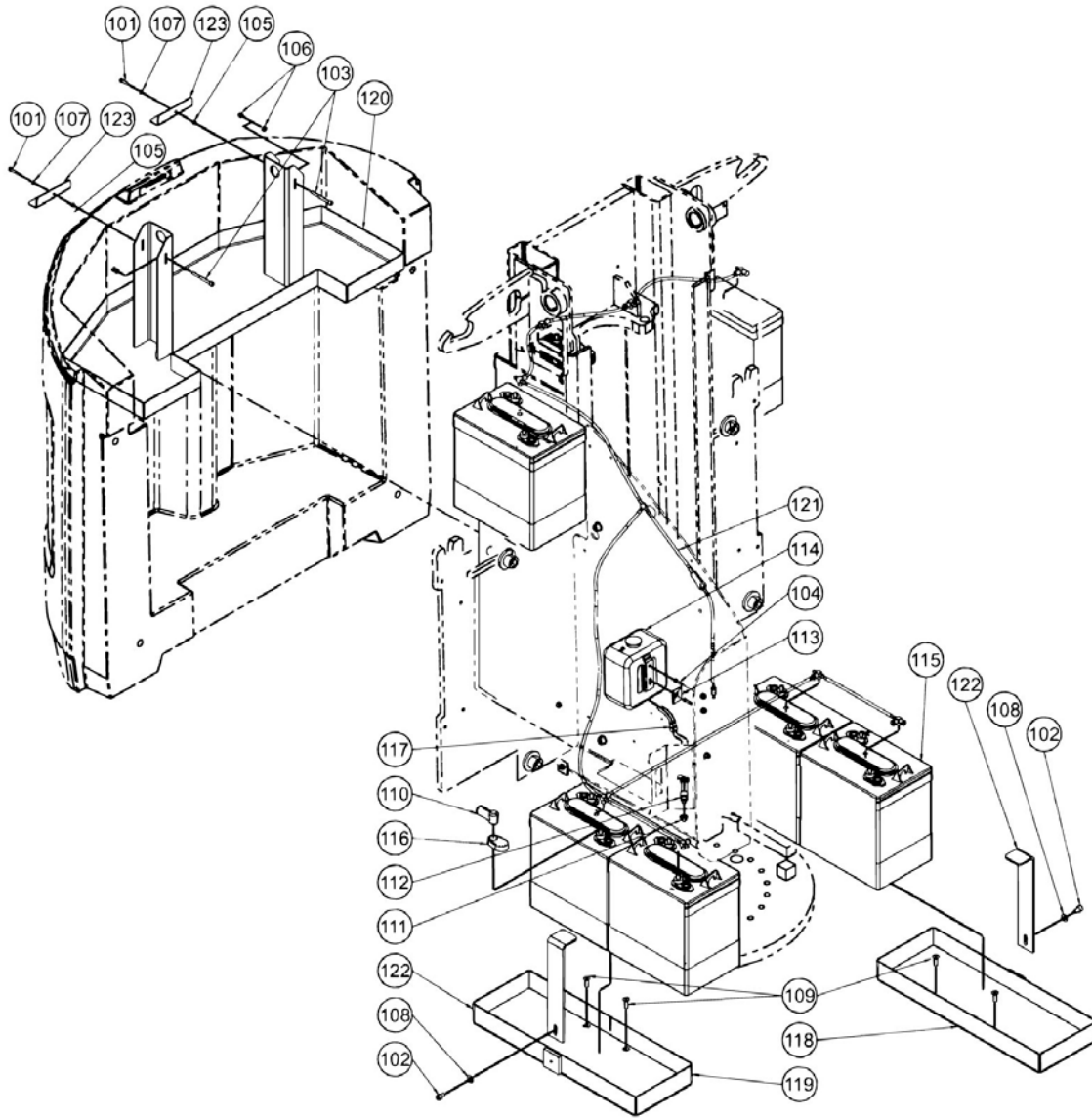
ITEM	PART NUMBER	QTY	DESCRIPTION	REV
0	SA0123	Ref	LIMIT SWITCHES AND COVERS / CAPTEURS ET COUVERCLES	A
1	000007	16	M04x30 8.8 SOCKET HEAD CAP SCREW / VIS CHC M04x30 8.8 BI FP	
2	000014	2	M06x12 8.8 SOCKET HEAD MACH SCREW / VIS CHC M06x12 8.8 BI FT	
3	000050	3	M04x10 8.8 SOCKET HEAD MACH SCREW / VIS CHC M04x10 8.8 BI FT	
4	000067	2	M05x12 8.8 SOCKET HEAD MACH SCREW / VIS CHC M05x12 8.8 BI FT	
5	100098	2	M06X16 8.8 SOCKET HEAD MACH SCREW / VIS H M06x16 8.8 BI FT	
6	120002	2	WASHER D05x10 / RONDELLE M05 BI	
7	120009	4	LOCK WASHER D06X14 / RONDELLE CONTACT dD 06x14 BI	
8	120024	19	LOCK WASHER D06x10 / RONDELLE CONTACT M4 BI	
9	160010	4	SPRING, D13XD4.5xL32 / RESSORT C 360 450 320	
10	1321293	2	CLAMP, CABLE / COLLIER ISOLE	
11	4000008	1	SENSOR, PROXIMITY ASSEMBLY / FAISCEAU DETECTEUR DE PROXIMITE	
12	1001151895	1	SENSOT, TILT / INDICATEUR DEVERS	
13	1001152091	1	HARNESS, JIB SWITCH / FAISCEAU CAPTEUR BRAS	
14	1001157803	3	SWITCH, CHAIN SLACK L1 / CAPTEUR MOU DE CHAINE L1	
15	1001157804	1	SWITCH, CHAIN SLACK L2 / CAPTEUR MOU DE CHAINE L2	
16	280013	0.58	TUBE, SPILT GROOVED / GAINE ANNELEE FENDUE	
17	400081	0.05	CLAMP, EDGE GUARD / COUVRE JOINT	
18	4360505	1	SWITCH, ROTARY ANGLE SENSOR / CAPTEUR D'ANGLE	
19	SD0345	1	SUPPORT, CHAIN SLACK SW / SUPPORT CAPTEUR	
20	SD0464	3	SUPPORT, CHAIN SLACK SW / SUPPORT CAPTEUR	
21	ST3226	1	PLATE, D. O. S SWITCH MOUNT / PLATINE CAPTEUR D'ORIENTATION	
22	ST3227	1	PLATE ROTRY SWITCH MOUNT / PLATINE CAPTEUR ROTATIF	
23	ST3657	1	COVER, CONNECTORS / COUVERCLE CONNECTEURS	
24	US0203	2	ACTUATOR, M20 / ACTIONNEUR M20	
25	US0204	1	ACTUATOR, M16 / ACTIONNEUR M16	
26	US0208	1	ACTUATOR, M14 / ACTIONNEUR M14	

SECTION 9 - ELECTRICAL SYSTEM INSTALL / INSTALLATION ELECTRIQUE

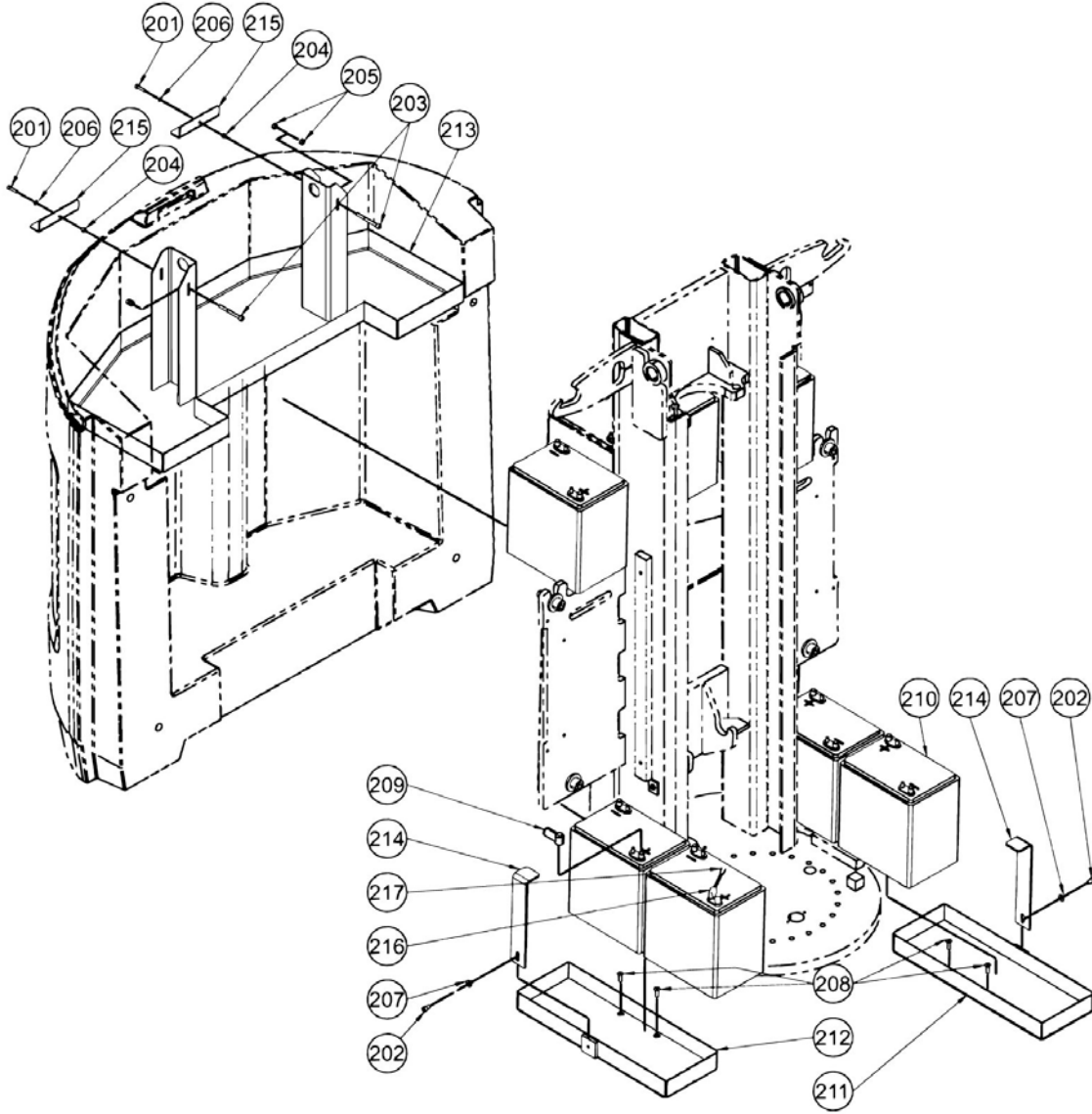
FIGURE 9-3. BATTERY AND CHARGER INSTALL / INSTALLATION BATTERIE ET CHARGEUR



SECTION 9 - ELECTRICAL SYSTEM INSTALL / INSTALLATION ELECTRIQUE



SECTION 9 - ELECTRICAL SYSTEM INSTALL / INSTALLATION ELECTRIQUE



SECTION 9 - ELECTRICAL SYSTEM INSTALL / INSTALLATION ELECTRIQUE

FIGURE 9-3. BATTERY AND CHARGER INSTALL / INSTALLATION BATTERIE ET CHARGEUR

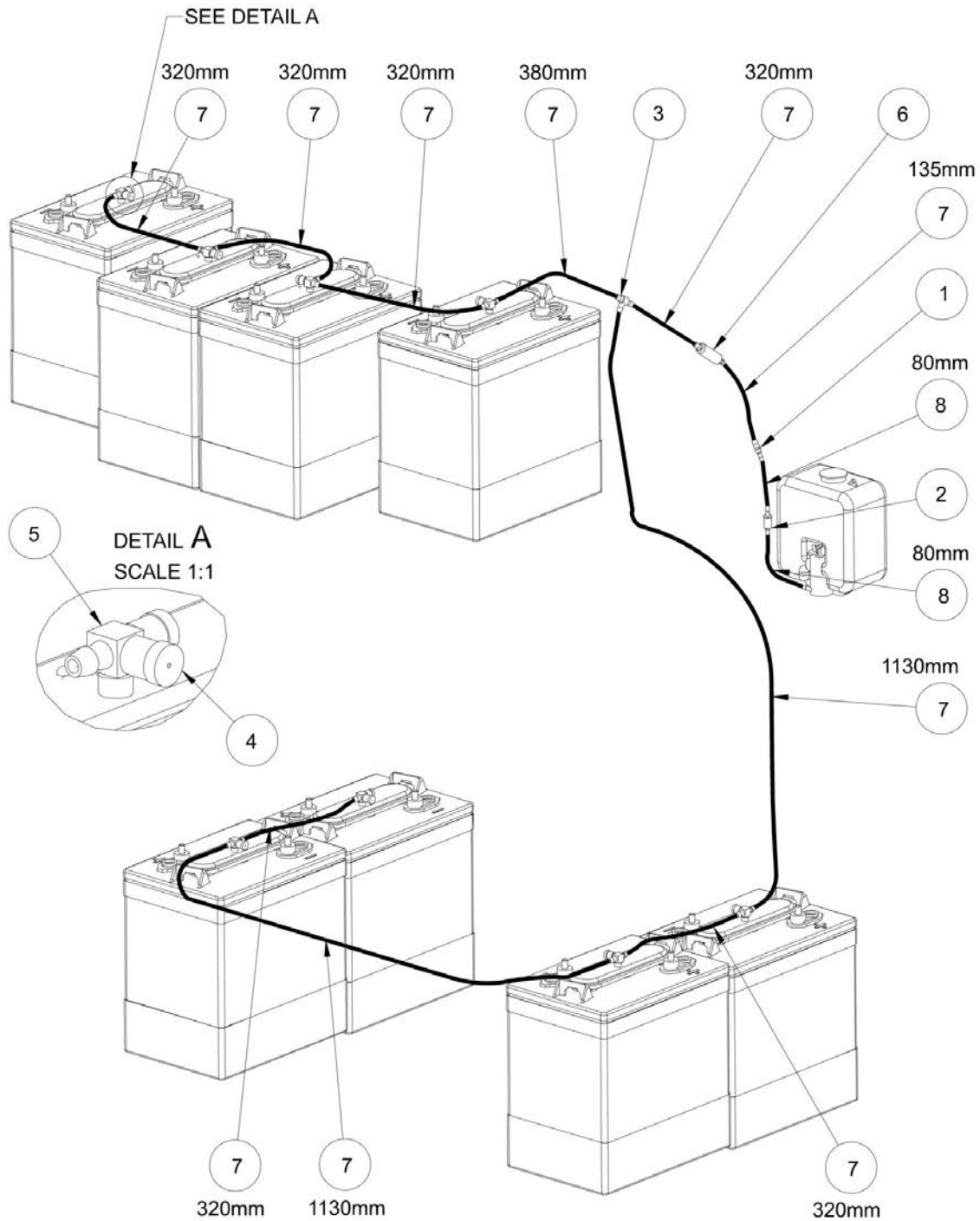
ITEM	PART NUMBER	QTY	DESCRIPTION	REV
		Ref	BATTERIES AND CHARGER INSTALL;INFO - SP0968 / INSTALLATION BATTERIES ET CHARGEUR;INFO - SP0968	
0	SA0135	Ref	CHARGER / CHARGEUR	
1	000014	2	M06x12 8.8 SOCKET HEAD MACH SCREW / VIS CHC M06x12 8.8 BI FT	
2	120009	2	dD 06x14 LOCK WASHER / rondelle contact dd 06x14 biq	
3	1001152650	1	BATTERY CHARGER, 48 VOLTS / CHARGEUR BATTERIES, 48V	
100	SA0136	Ref	BATTERIES INSTALL, STANDARD / INSTALLATION BATTERIES STANDARD	
101	000010	2	M05x20 8.8 SOCKET HEAD MACH SCREW / VIS CHC M05x20 8.8 BI FT	
102	000042	2	M08x12 8.8 SOCKET HEAD MACH SCREW / VIS CHC M08x12 8.8 BI FT	
103	000076	2	M06x60 8.8 SOCKET HEAD CAP SCREW / VIS CHC M06x60 8.8 BI FT	
104	100005	1	M06x20 8.8 HEX HEAD MACHINE SCREW / VIS H M06x20 8.8 BI FT	
105	110002	2	M05 GR08 LOCK NUT / ECROU FREIN M5 CL08 BI	
106	110015	4	NUT H M6-8 / ECROU H M06 CL08	
107	120002	2	M05 WASHER / RONDELLE M05 BI	
108	120010	2	dD 08x18 LOCK WASHER / RONDELLE CONTACT dD 08x18 BI	
109	130068	4	M08X25 A4-70 COUNTERSUNK HEAD MS / VIS FHC M08x25 A4-70 FT	
110	250031	16	TERMINAL BOOT / CAPUCHON D'ETANCHEITE	
111	260259	1	PUSH BUTTON MOM NO / BOUTON POUSSOIR MOMENTANE NO	
112	260260	1	PUSH BUTTON SEAL CAP / CAPUCHON ETANCHEITE B. P	
113	400012	1	CLAMP COVER PLATE T1 / PLAQUE DE SERRAGE T1	
114	400093	1	WATER CAN KIT / KIT BIDON D'EAU	
115	510093	8	BATTERY, 6V 260AH-20H / BATTERIE,6V 260AH-20H	
116	0840060	16	BOOT BATTERY TERMINALS / CAPUCHON BATTERIE	
117	PC0548	1	HARNESS, BATTERY FILLING / FAISCEAU REMPLISSAGE BATTERIE	
118	DL0902	1	CONTAINER, BATTERY, RIGHT / BAC BATTERIES DROIT	
119	DL0903	1	CONTAINER, BATTERY, LEFT / BAC BATTERIES GAUCHE	
120	DL0904	1	CONTAINER, BATTERY, TOP / BAC BATTERIES HAUT	
121	KT0161	1	INSTALL, WATER FILLING NETWORK; INFO - KT0161 / RESEAU DE REMPLISSAGE BATTERIES; INFO - KT0161	
122	ST3632	2	PLATE BATTERY HOLDER / EQUERRE DE MAINTIEN BATTERIE	
123	ST3647	2	PLATE BATTERY STOP / EQUERRE DE MAINTIEN BATTERIE	
200	SA0137	Ref	BATTERIES INSTALL, AGM / INSTALLATION BATTERIES AGM	
201	000010	2	M05x20 8.8 SOCKET HEAD MACH SCREW / VIS CHC M05x20 8.8 BI FT	
202	000042	2	M08x12 8.8 SOCKET HEAD MACH SCREW / VIS CHC M08x12 8.8 BI FT	
203	000076	2	M06x60 8.8 SOCKET HEAD CAPSCREW / VIS CHC M06x60 8.8 BI FT	
204	110002	2	M05 GR08 LOCK NUT / ECROU FREIN M5 CL08 BI	
205	110015	4	NUT H M6- 8 / ECROU H M06 CL08	
206	120002	2	M05 WASHER / RONDELLE M05 BI	

SECTION 9 - ELECTRICAL SYSTEM INSTALL / INSTALLATION ELECTRIQUE

ITEM	PART NUMBER	QTY	DESCRIPTION	REV
207	120010	2	dD 08x18 LOCK WASHER / RONDELLE CONTACT dD 08x18 BI	
208	130068	4	M08X25 A4-70 COUNTERSUNK HEAD MS / VIS FHC M08x25 A4-70 FT	
209	250031	16	TERMINAL BOOT / CAPUCHON D'ETANCHEITE	
210	510094	8	BATTERY, AGM, 6V 255AH-20H / BATTERIE AGM,6V 255AH-20H	
211	DL0902	1	CONTAINER, BATTERY, RIGHT / BAC BATTERIES DROIT	
212	DL0903	1	CONTAINER, BATTERY, LEFT / BAC BATTERIES GAUCHE	
213	DL0904	1	CONTAINER, BATTERY, TOP / BAC BATTERIES HAUT	
214	ST3632	2	PLATE BATTERY HOLDER / EQUERRE DE MAINTIEN BATTERIE	
215	ST3647	2	PLATE BATTERY STOP / EQUERRE DE MAINTIEN BATTERIE	
216	1001112113	1	SENSOR, TEMPERATURE / CAPTEUR DE TEMPERATURE	
217	4460509	2	TERMINAL, 10-12 SOCKETCOSSSES / CONNECTEUR DEUTSCHAWG 12-14	
300		Ref	CHARGER EXTENSION / PRISE CHARGEUR	
301	250211	1	CABLE IEC22 / PLUG CEE7 2m 10A / CORDON IEC22 / FICHE CEE7 2m 10A	
302	250213	1	CABLE IEC22 / PLUG BS1362 2m 10A / CORDON IEC22 / FICHE BS1362 2m 10A	
303	1060689	1	CABLE AC CORD, W/O PLUG, L=2m / CABLE AC CHARGEUR, SANS PRISE, L=2m	
304	PC0494	1	230V CEE7 POWER SUPPLY CABLE, KEYED / CABLE ALIMENTATION 230V CEE7, POLARISE	
305	PC0495	1	230V IEC60309 POWER SUPPLY CABLE / CABLE ALIMENTATION 230V CEI60309	
306	PC0496	1	115V IEC60309 POWER SUPPLY CABLE / CABLE ALIMENTATION 115V CEI60309	
307	1060688	1	CABLE AC CORD, US PLUG, L=2m / CABLE AC CHARGEUR, US, L=2m	

SECTION 9 - ELECTRICAL SYSTEM INSTALL / INSTALLATION ELECTRIQUE

FIGURE 9-4. INSTALL WATER FILLING NETWORK / INSTALLATION REMPLISSAGE CENTRALISE



SECTION 9 - ELECTRICAL SYSTEM INSTALL / INSTALLATION ELECTRIQUE

FIGURE 9-4. INSTALL WATER FILLING NETWORK / INSTALLATION REMPLISSAGE CENTRALISE

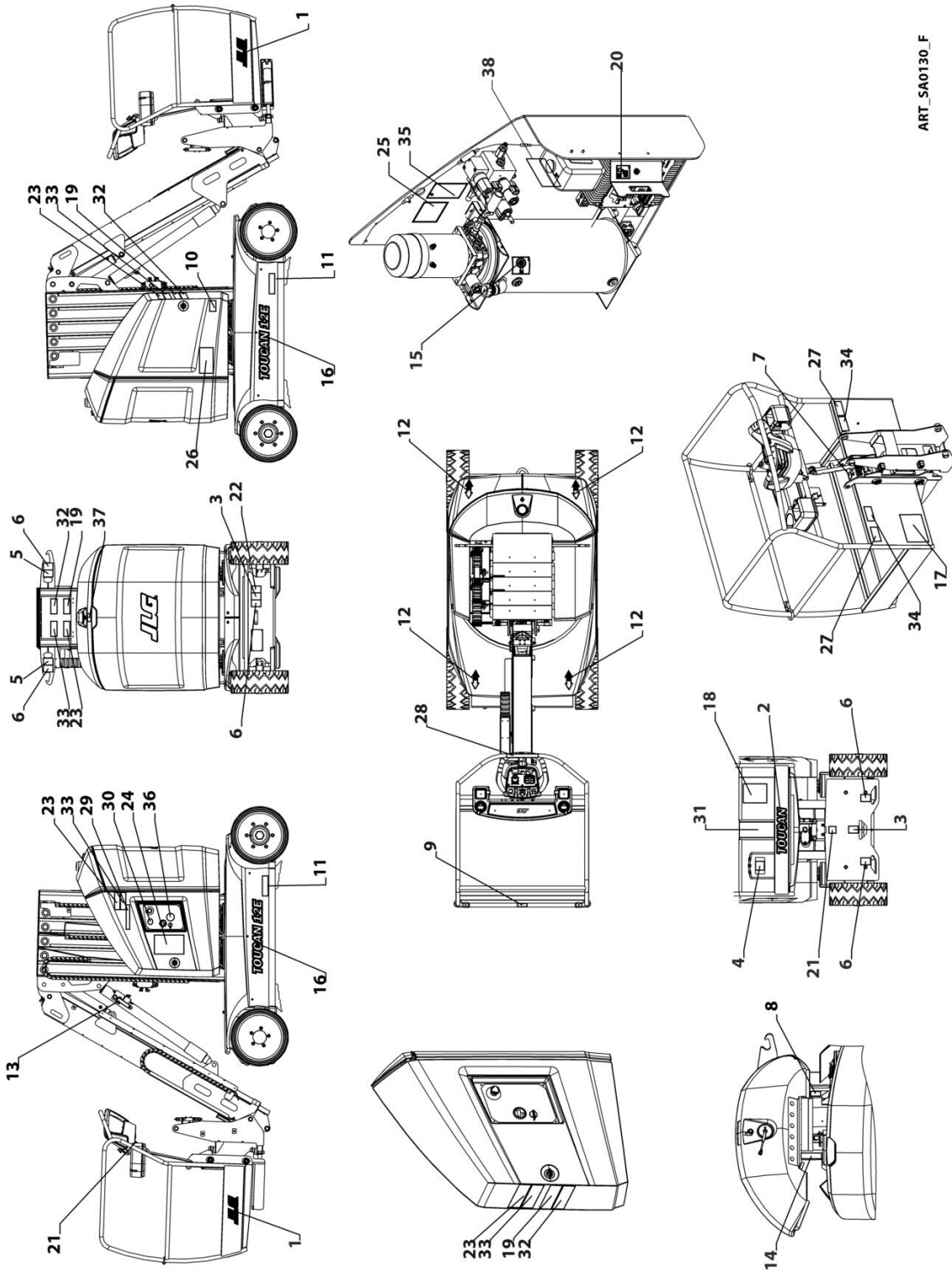
ITEM	PART NUMBER	QTY	DESCRIPTION	REV
	KT0161	Ref	NETWORK FILLING KIT; INFO - KT0161 / KIT REMPLISSAGE CENTRALISE; INFO - KT0161	
1	400059	1	4/6 REDUCTION / REDUCTION 4/6	
2	400086	1	CHECK VALVE / CLAPET ANTI-RETOUR	
3	950052	1	RUN TEE 06/06/06 / TE 06/06/06	
4	950219	10	CAP, HYDROLINK SYSTEM / BOUCHON HYDROLINK SYSTEM	
5	950220	8	TEE, HYDROLINK SYSTEM / TE HYDROLINK SYSTEM	
6	950221	1	FLOW INDICATOR Ø6 / INDICATEUR DE DEBIT Ø6	
7	950039	4.7 m	Ø6 PIPE (quantity indicated in meter) / TUYAU Ø 6 (quantité indiquée en mètre)	
8	950215	0.16 m	Ø4 PIPE (quantity indicated in meter) / TUYAU Ø 4 (quantité indiquée en mètre)	

SECTION 10 - DECALS INSTALL / INSTALLATION AUTOCOLLANTS

SECTION 10 - DECALS INSTALL / INSTALLATION AUTOCOLLANTS

SECTION 10 - DECALS INSTALL / INSTALLATION AUTOCOLLANTS

FIGURE 10-1. DECAL INSTALL / INSTALLATION AUTOCOLLANTS



ART_SA0130_F

SECTION 10 - DECALS INSTALL / INSTALLATION AUTOCOLLANTS

FIGURE 10-1. DECAL INSTALL / INSTALLATION AUTOCOLLANTS

ITEM	PART NUMBER	QTY	DESCRIPTION	REV
		Ref	DECALS INSTALL, T12E / T12E PLUS; INFO - SA0130 / INSTALLATION AUTOCOLLANTS T12E /T12E PLUS; INFO - SA0130	F
0	PA1138	Ref	INSTALL, DECAL JLG LOGOS / INSTALLATION LOGOS JLG	
1	1705781	2	DECAL, JLG 2.75" / AUTOCOLLANT,JLG	
2	AU1825	1	DECAL, FRONT BASKET TOUCAN / LOGO TOUCAN AVANT PANIER	
0	PA1145	Ref	DECALS,T12E/T12E Plus CE / AUTOCOLLANTS T12E/T12E Plus CE	
3	1701499	2	DECAL, NO TIE DOWN\LIFT / AU ARRIMAGE	
4	1701640	1	DECAL, MANUAL / AUTOCOLLANT, MANUEL	
5	1703811	2	DECAL, LIFTING LUG / AUTOCOLLANT, ANNEAU DE LEVAGE	
6	1703814	5	DECAL, TIE DOWN / AUTOCOLLANT, ARRIMAGE	
7	1704277	1	DECAL, LANYARD ATTACH / AUTOCOLLANT, ATTACHE HARNAIS	
8	1705803	1	DECAL, ELEC HAZARA(DAN) / AUTOCOLLANT, RISQUES ELECTRIQUES	
9	1706493	1	DECAL, DROP BAR / AU RISQUE DE CHUTE SOUS-LISSE	
10	1706740	1	DECAL, BATTERY DISCONNECT / AUTOCOLLANT, DECONNEXION BATTERIE	
11	1706764	2	DECAL, JIG.COM 1.75N / AUTOCOLLANT, JLG.COM	
12	AU0149	4	DECAL, RIP DRIVER DIR.FIG T100U / AUTOCOLLANT, REP SENS MARCHE	
13	AU2191	1	DECAL, JIB MANUAL DESCENT / AUTOCOLLANT, DESCENTE BRAS	
14	AU2192	1	DECAL, MAST MANUAL DESCENT / AUTOCOLLANT, DESCENTE MAT (Prior to SN A300052846)	E
14	AU2214	1	DECAL,MAST MANUAL DESCENT / AUTOCOLLANT DESCENTE MANUELLE MAT (SN A300052846 to Present)	E
15	AU0048	1	DECAL, OIL LEVEL F / AUTOCOLLANT, NIVEAU D'HUILE	
16	AU2190	2	DECAL, MODEL DESIGNATION, T12E (NOT INCLUDED IN DECAL KIT) / AUTOCOLLANT, MODELE T12E (NON INCLUS AU KIT PRINCIPAL)	
16	AU2197	2	DECAL, MODEL DESIGNATION, T12E PLUS (NOT INCLUDED IN DECAL KIT) / AUTOCOLLANT, MODELE T12E PLUS (NON INCLUS AU KIT PRINCIPAL)	
17	AU2101	1	DECAL, TIE DOWN AND LIFTING / AUTOCOLLANT ARRIMAGE	
18	AU2102	1	DECAL, LOAD AND INSTRUCTIONS / AUTOCOLLANT CHARGES ET CONSIGNE	
19	AU2103	3	DECAL, ELECTROCUTION / AUTOCOLLANT ELECTROCUTION	
20	AU2104	1	DECAL, BATTERY LIFTING / AUTOCOLLANT REMPLISSAGE BATTERIE	
21	AU2105	2	DECAL, NO KARCHER / AUTOCOLLANT KARCHER	
22	AU2193	1	DECAL, LOAD ON WHEEL, T12E (NOT INCLUDED IN DECAL KIT) / AUTOCOLLANT CHARGE SUR ROUES T12E (NON INCLUS AU KIT PRINCIPAL)	
22	AU2194	1	DECAL, LOAD ON WHEEL, T12E PLUS (NOT INCLUDED IN DECAL KIT) / AUTOCOLLANT CHARGE SUR ROUES T12E PLUS (NON INCLUS AU KIT PRINCIPAL)	
23	AU2108	4	DECAL, CRUSHING HAZARD / AUTOCOLLANT ECRASEMENT	
24	AU2109	1	DECAL, INSTRUCTION AND LOADS / AUTOCOLLANT CONSIGNES ET CHARGES	

SECTION 10 - DECALS INSTALL / INSTALLATION AUTOCOLLANTS

ITEM	PART NUMBER	QTY	DESCRIPTION	REV
25	AU2195	1	DECAL, MANUAL ORIENTATION / AUTOCOLLANT, ORIENTATION	
26	AU2196	1	DECAL, EMERGENCY CONTROL / AUTOCOLLANT, SECOURS (Prior to SN A300052846)	E
26	AU2211	1	DECAL,EMERGENCY CONTROLS / AUTOCOLLANT, SECOURS (SN A300052846 to Present)	E
27	AU2107	2	DECAL, HAND CRUSHING HAZARD (WITH PLATFORM ROTATION ONLY) / AUTOCOLLANT RISQUE D'ECRASEMENT (AVEC OPTION ROTATION PLATE-FORME)	
28	Not Required	1	NOT REQUIRED / NON REQUIS	E
29	Not Required	1	NOT REQUIRED / NON REQUIS	E
30	Not Required	1	NOT REQUIRED / NON REQUIS	E
31	Not Required	1	NOT REQUIRED / NON REQUIS	E
32	Not Required	1	NOT REQUIRED / NON REQUIS	E
33	Not Required	1	NOT REQUIRED / NON REQUIS	E
34	Not Required	1	NOT REQUIRED / NON REQUIS	E
35	AU2215	1	DECAL,SLACK CHAIN DETECTION / AUTOCOLLANT MOU DE CHAINE	E
36	Not Required	1	NOT REQUIRED / NON REQUIS	E
37	AU2229	1	DECAL,BATTERY CHARGER PLUG / AUTOCOLLANT PRISE CHARGEUR	E
38	1001212356	1	CE - DECAL,DISTILLED WATER / CE - AUTOCOLLANT EAU DISTILLEE	F
		Ref	T32E DECALS / AUTOCOLLANTS T32E	E
0	PA1138	Ref	INSTALL, DECAL JLG LOGOS / INSTALLATION LOGOS JLG	
1	1705781	2	DECAL, JLG 2.75" / AUTOCOLLANT,JLG	
2	AU1825	1	DECAL, FRONT BASKET TOUCAN / LOGO TOUCAN AVANT PANIER	
0	PA1141	Ref	DECALS,T32E ANSI ENGLISH / AUTOCOLLANTS T32E ANSI ANGLAIS	
0	PA1142	Ref	DECALS,T32E ANSI LATIN / AUTOCOLLANTS T32E ANSI LATIN	
0	PA1143	Ref	DECALS,T32E ANSI ENG / SPA / AUTOCOLLANTS T32E ANSI ANG / ESP	
0	PA1144	Ref	DECALS,T32E CSA / AUTOCOLLANTS T32E CANADA	
3	1701499	2	DECAL, NO TIE DOWNLIFT / AU ARRIMAGE	
4	1701640	1	DECAL, MANUAL / AUTOCOLLANT, MANUEL	
5	1703811	2	DECAL, LIFTING LUG / AUTOCOLLANT, ANNEAU DE LEVAGE	
6	1703814	5	DECAL, TIE DOWN / AUTOCOLLANT, ARRIMAGE	
7	1704277	1	DECAL, LANYARD ATTACH / AUTOCOLLANT, ATTACHE HARNAIS	
8	1703785	1	DECAL, ELEC HAZARA(DAN) / AUTOCOLLANT, DANGER-EXPLOSION	
9	Not Required	1	NOT REQUIRED / NON REQUIS	
10	1706740	1	DECAL, BATTERY DISCONNECT / AUTOCOLLANT, DECONNEXION BATTERIE	
11	1704885	2	DECAL, WEBSITE / AUTOCOLLANT WWW.JLG.COM	
12	AU0149	4	DECAL, RIP DRIVER DIR.FIG T100U / AUTOCOLLANT, REP SENS MARCHE	
13	AU2191	1	DECAL, JIB MANUAL DESCENT / AUTOCOLLANT, DESCENTE BRAS	
14	AU2192	1	DECAL, MAST MANUAL DESCENR / AUTOCOLLANT,	E

SECTION 10 - DECALS INSTALL / INSTALLATION AUTOCOLLANTS

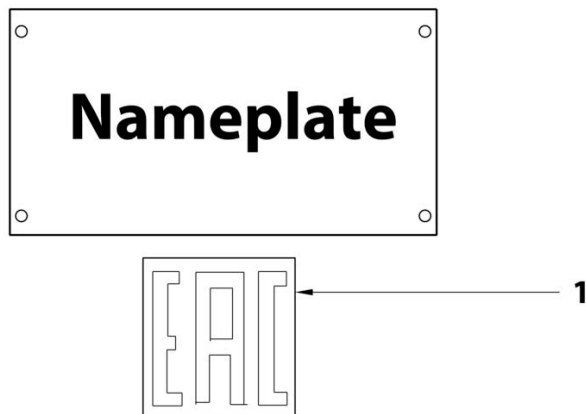
ITEM	PART NUMBER	QTY	DESCRIPTION	REV
14	AU2214	1	DESCENTE MAT (Prior to SN A300052846) DECAL,MAST MANUAL DESCENT / AUTOCOLLANT DESCENTE MANUELLE MAT (SN A300052846 to Present)	E
15	AU0048	1	DECAL, OIL LEVEL F / AUTOCOLLANT, NIVEAU D'HUILE	
16	AU2198	2	DECAL, MODEL DESIGNATION (NOT INCLUDED IN DECAL KIT) / AUTOCOLLANT, MODELE (NON INCLUS AU KIT PRINCIPAL)	
17	AU2101	1	DECAL, TIE DOWN AND LIFTING / AUTOCOLLANT ARRIMAGE	
18	AU2120	1	ENGLISH - DECAL, LOAD AND INSTRUCTIONS / ANGLAIS - AUTOCOLLANT CHARGES ET CONSIGNE	
18	AU2148	2	SPANISH - DECAL, LOAD AND INSTRUCTIONS / ESPAGNOL - AUTOCOLLANT CHARGES ET CONSIGNE	
18	AU2141	1	FRENCH - DECAL, LOAD AND INSTRUCTIONS / FRANCAIS - AUTOCOLLANT CHARGES ET CONSIGNE	
19	AU2118	3	ENGLISH - DECAL, ELECTROCUTION / ANGLAIS - AUTOCOLLANT RISQUE ELECTROCUTION	
19	AU2150	6	SPANISH - DECAL, ELECTROCUTION / ESPAGNOL - AUTOCOLLANT RISQUE ELECTROCUTION	
19	AU2144	3	FRENCH - DECAL, ELECTROCUTION / FRANCAIS - AUTOCOLLANT RISQUE ELECTROCUTION	
20	AU2104	1	DECAL, BATTERY LIFTING / AUTOCOLLANT REMPLISSAGE BATTERIE	
21	AU2105	2	DECAL, NO KARCHER / AUTOCOLLANT KARCHER	
22	AU2199	1	DECAL, LOAD ON WHEEL (NOT INCLUDED IN DECAL KIT) / AUTOCOLLANT CHARGE SUR ROUES (NON INCLUS AU KIT PRINCIPAL)	
23	AU2117	4	ENGLISH - DECAL, CRUSHING HAZARD / ANGLAIS - AUTOCOLLANT RISQUE ECRASEMENT	
23	AU2149	4	DECAL, CRUSHING HAZARD SP / AUTOCOLLANT ESPAGNOL COINCEMENT	
24	AU2121	1	ENGLISH - DECAL, INSTRUCTION AND LOAD / ANGLAIS - AUTOCOLLANT CHARGES ET CONSIGNE	
24	AU2203	1	PORTUGUESE / SPANISH - DECAL, INSTRUCTION AND LOAD / PORTUGAIS / ESPAGNOL - AUTOCOLLANT CHARGES ET CONSIGNE	
24	AU2204	1	ENGLISH / SPANISH - DECAL, INSTRUCTION AND LOAD / ANGLAIS / ESPAGNOL - AUTOCOLLANT CHARGES ET CONSIGNE	
24	AU2205	1	ENGLISH / FRENCH - DECAL, INSTRUCTION AND LOAD / FRANCAIS / ANGLAIS - AUTOCOLLANT CHARGES ET CONSIGNE	
25	AU2195	1	DECAL, MANUAL ORIENTATION / AUTOCOLLANT, ORIENTATION	
26	AU2196	1	DECAL, EMERGENCY CONTROL / AUTOCOLLANT, SECOURS (Prior to SN A300052846)	E
26	AU2211	1	DECAL,EMERGENCY CONTROLS / AUTOCOLLANT, SECOURS (SN A300052846 to Present)	E
27	AU2119	2	ENGLISH - DECAL, HAND CRUSHING HAZARD (WITH PLATFORM ROTATION ONLY) / ANGLAIS - AUTOCOLLANT RISQUE D'ECRASEMENT (AVEC OPTION ROTATION PLATE-FORME)	
27	AU2147	2	SPANISH - DECAL, HAND CRUSHING HAZARD (WITH PLATFORM ROTATION ONLY) / ESPAGNOL - AUTOCOLLANT RISQUE D'ECRASEMENT (AVEC OPTION ROTATION PLATE-FORME)	
28	AU2201	1	DECAL, PLF LEGEND / AUTOCOLLANT LEGENDE BOITIER HAUT	
29	AU2202	1	DECAL, MTB LEGEND / AUTOCOLLANT LEGENDE BOITIER BAS	
30	AU2206	1	DECAL, INDICATOR COVER D28 / AUTOCOLLANT CACHE	

SECTION 10 - DECALS INSTALL / INSTALLATION AUTOCOLLANTS

ITEM	PART NUMBER	QTY	DESCRIPTION	REV
31	AU2153	1	VOYANT D28 PORTUGUESE - DECAL, LOAD AND INSTRUCTIONS / PORTUGAIS - AUTOCOLLANT CHARGES ET CONSIGNES	
31	AU2120	1	ENGLISH - DECAL, LOAD AND INSTRUCTIONS / ANGLAIS - AUTOCOLLANT CHARGES ET CONSIGNES	
32	AU2155	3	PORTUGUESE - DECAL, ELECTROCUTION / PORTUGAIS - AUTOCOLLANT ELECTROCUTION	
32	AU2118	3	FRENCH - DECAL, ELECTROCUTION / FRANCAISAI - AUTOCOLLANT ELECTROCUTION	
33	AU2154	4	PORTUGUESE - DECAL, CRUSHING HAZARD / PORTUGAIS - AUTOCOLLANT RISQUE ECRASEMENT	
33	AU2117	4	ENGLISH - DECAL, CRUSHING HAZARD / ANGLAIS - AUTOCOLLANT RISQUE ECRASEMENT	
33	AU2143	4	FRENCH - DECAL, CRUSHING HAZARD / FRANCAIS - AUTOCOLLANT RISQUE ECRASEMENT	
34	AU2152	2	PORTUGUESE - DECAL, HAND CRUSHING HAZARD (WITH PLATFORM ROTATION ONLY) / PORTUGAIS - AUTOCOLLANT RISQUE D'ECRASEMENT (AVEC OPTION ROTATION PLATE- FORME)	
34	AU2119	2	ENGLISH - DECAL, HAND CRUSHING HAZARD (WITH PLATFORM ROTATION ONLY) / ANGLAIS - AUTOCOLLANT RISQUE D'ECRASEMENT (AVEC OPTION ROTATION PLATE- FORME)	
34	AU2140	2	FRENCH - DECAL, HAND CRUSHING HAZARD (WITH PLATFORM ROTATION ONLY) / FRANCAIS - AUTOCOLLANT RISQUE D'ECRASEMENT (AVEC OPTION ROTATION PLATE- FORME)	
35	AU2215	1	DECAL,SLACK CHAIN DETECTION / AUTOCOLLANT MOU DE CHAINE	E
36	AU2228	1	DECAL,INDICATOR COVER D42 / AUTOCOLLANT MASQUE D42	E
37	AU2229	1	DECAL,BATTERY CHARGER PLUG / AUTOCOLLANT PRISE CHARGEUR	E
38	1001212355	1	ANSI - DECAL,DISTILLED WATER / ANSI - AUTOCOLLANT EAU DISTILLEE	F

SECTION 10 - DECALS INSTALL / INSTALLATION AUTOCOLLANTS

FIGURE 10-2. DECAL,EAC (RUSSIA,CIS) / AUTOCOLLANTS EAC (RUSSIA,CIS)



ART_1001214029

SECTION 10 - DECALS INSTALL / INSTALLATION AUTOCOLLANTS

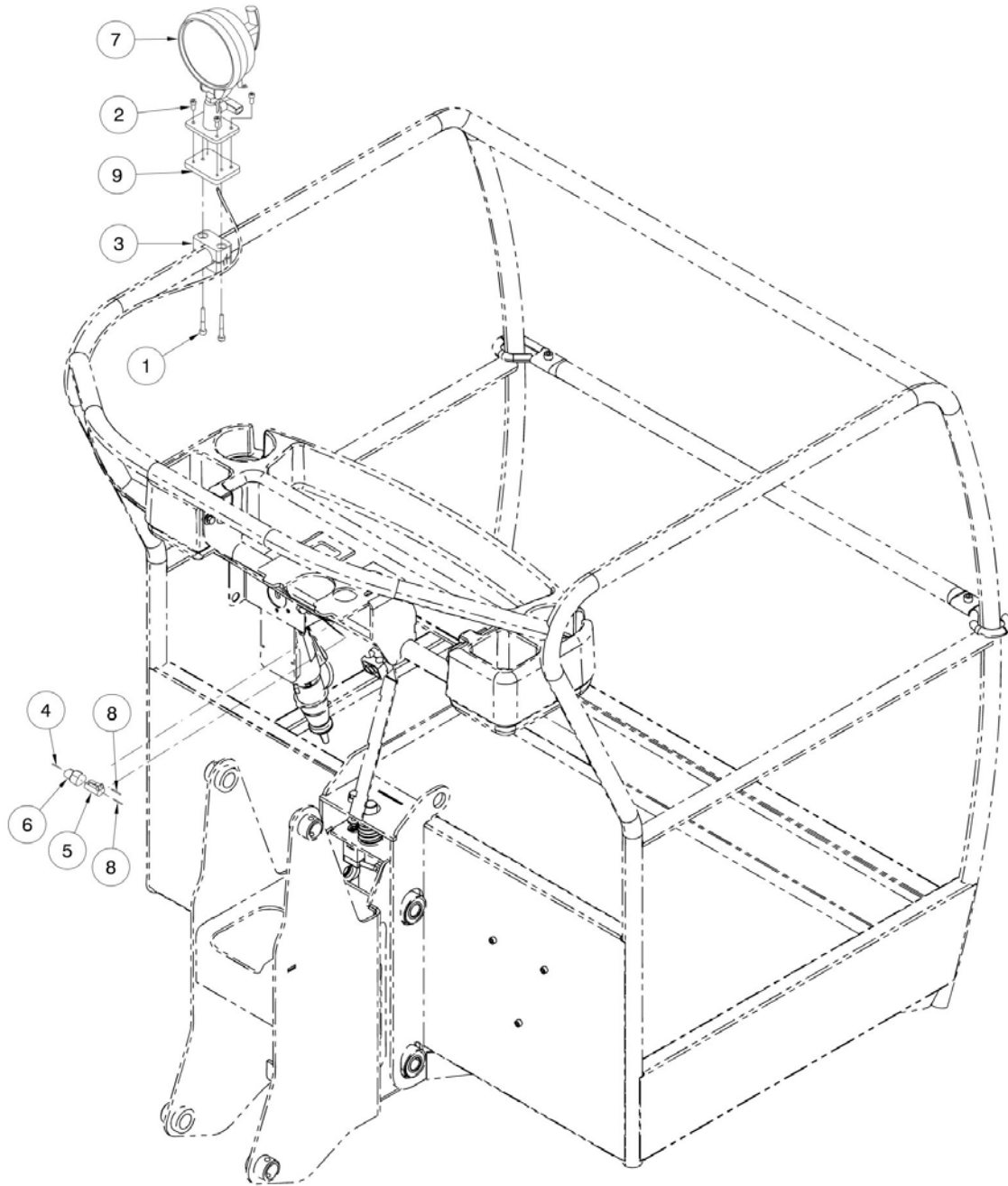
FIGURE 10-2. DECAL,EAC (RUSSIA,CIS) / AUTOCOLLANTS EAC (RUSSIA,CIS)

ITEM	PART NUMBER	QTY	DESCRIPTION	REV
0	1001214029	Ref	INSTALL,DECAL,EAC (RUSSIA,CIS) / INSTALLATION AUTOCOLLANT EAS (RUSSIE, CIS)	
1	1001173703	1	DECAL,EAC / AUTOCOLLANT EAC	

SECTION 11 - OPTIONS / OPTIONS

SECTION 11 - OPTIONS / OPTIONS

FIGURE 11-1. PLATFORM WORK LIGHT INSTALL / INSTALLATION PHARE DE TRAVAIL



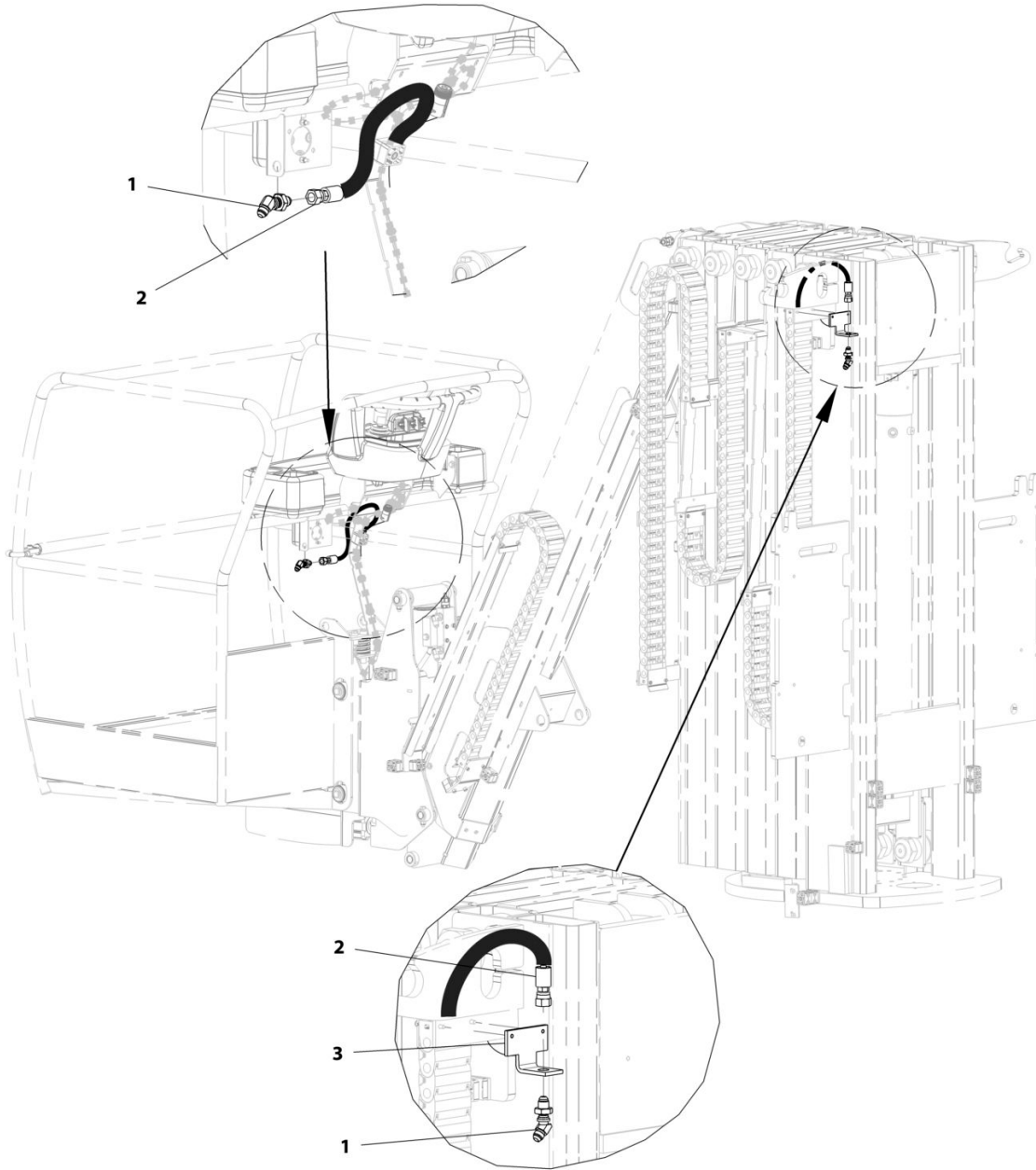
SECTION 11 - OPTIONS / OPTIONS

FIGURE 11-1. PLATFORM WORK LIGHT INSTALL / INSTALLATION PHARE DE TRAVAIL

ITEM	PART NUMBER	QTY	DESCRIPTION	REV
0	OP529	Ref	PLATFORM WORK LIGHT / PHARE DE TRAVAIL PLATE-FORME	
1	000017	2	M06x40 8.8 SOCKET HEAD MACH SCREW / VIS CHC M06x40 8.8 BI FT	
2	000067	4	M05x12 8.8 SOCKET HEAD MACH SCREW / VIS CHC M05x12 8.8 BI FT	
3	400077	1	CLAMP, SINGLE D30 / COLLIER D30	
4	4460464	1	CONTACT DEUTSCH DT PIN / CONTACT DEUTSCH DT MALE	
5	4460891	1	CONNECTOR, DEUTSCH DT 2P PLUG / CONNECTEUR DEUTSCH DT 2P MALE	
6	4460897	1	CONNECTOR, DEUTSCH DT 2P RECEPTACLE / CONNECTEUR DEUTSCH DT 2P FEMELLE	
7	1001120474	1	LAMP, 12V SPOT (LCD) / LAMPE 12V A LEDS	
8	4460465	2	CONTACT DEUTSCH DT SOCKET / CONTACT DEUTSCH DT FEMELLE	
9	ST3689	1	SUPPORT, WORK LIGHT / SUPPORT PHARE DE TRAVAIL	

SECTION 11 - OPTIONS / OPTIONS

FIGURE 11-2. AIR LINE INSTALL / INSTALLATION AIR COMPRIME



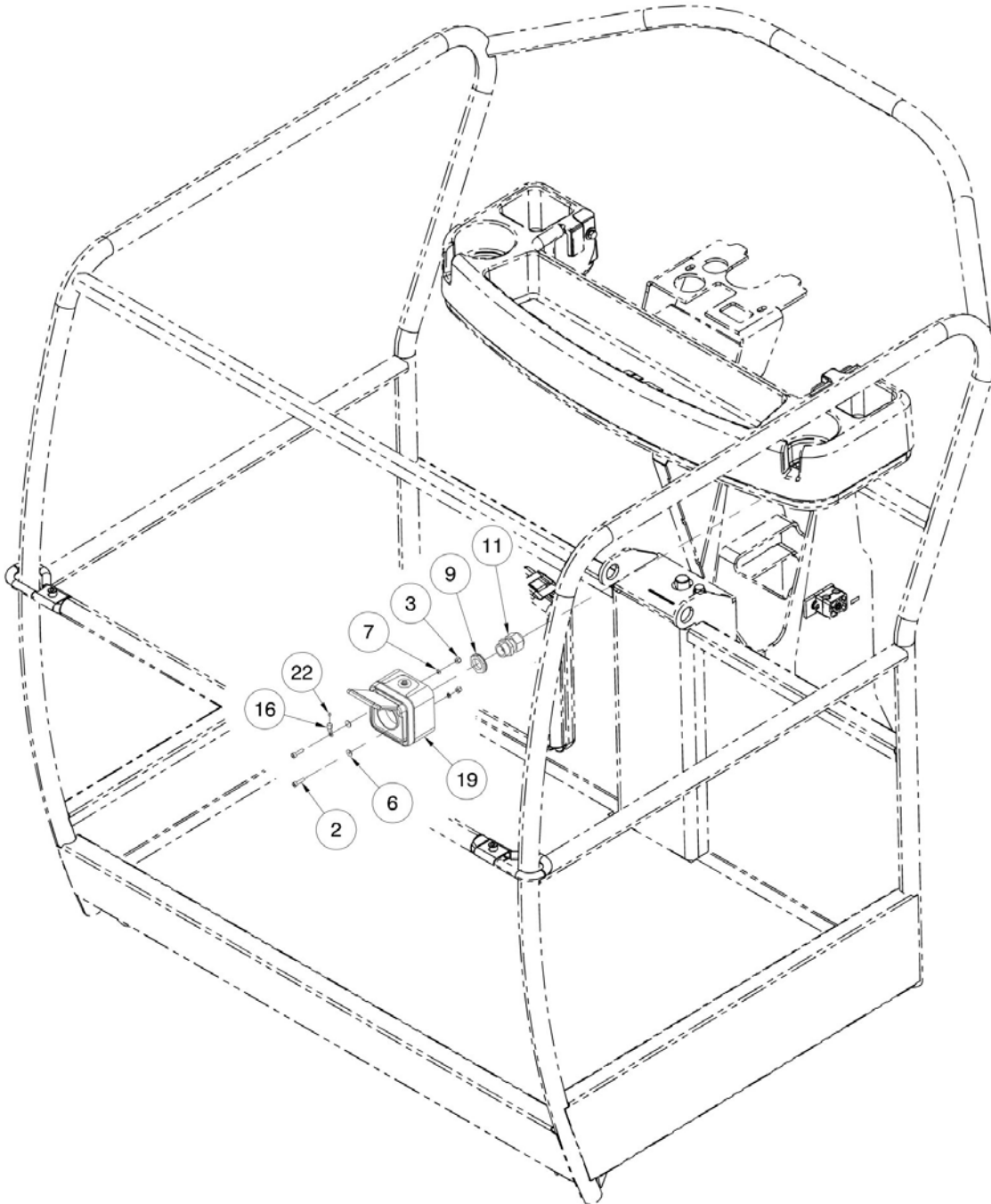
SECTION 11 - OPTIONS / OPTIONS

FIGURE 11-2. AIR LINE INSTALL / INSTALLATION AIR COMPRIME

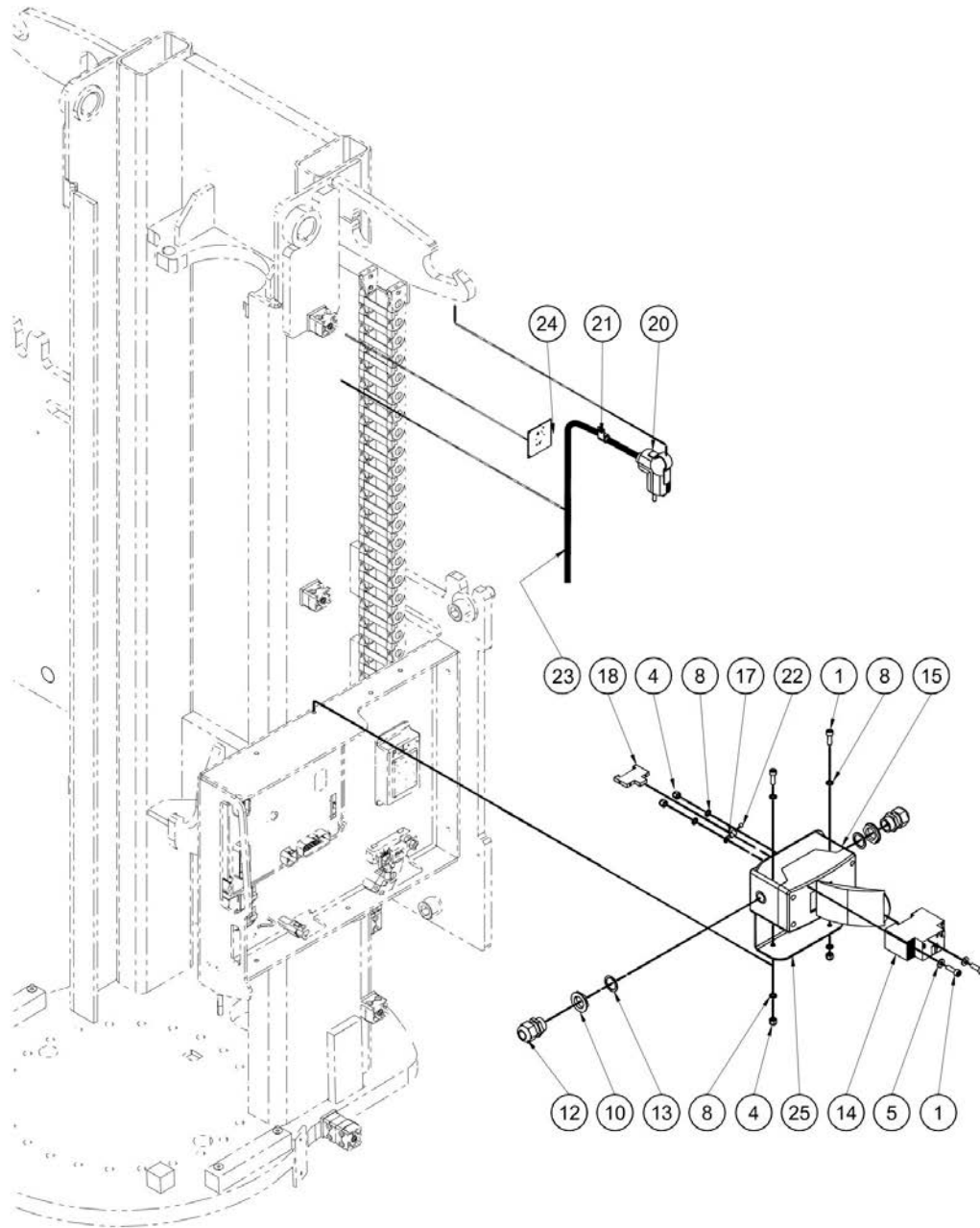
ITEM	PART NUMBER	QTY	DESCRIPTION	REV
0	OP527	Ref	AIRLINE 5/16" T12E/T32E / AIR COMPRIME 5/16" T12E/T32E	
0	OP528	Ref	AIRLINE 5/16" T12E PLUS / AIR COMPRIME 5/16" T12E PLUS	
1	300161	2	45° BULKHEAD JIC 9/16 / TRAVERSEE DE CLOISON 45° JIC 9/16	
2	DF1001	1	12E,32E - HOSE 5/16-1315cm-JIC Fem 9/16-JIC Fem 9/16 / 12E,32E - FLEXIBLE 5/16-1315cm-JIC Fem 9/16-JIC Fem 9/16	
2	DF1002	1	T12E PLUS - HOSE 5/16-1410cm-JIC Fem 9/16-JIC Fem 9/16 / T12E PLUS - FLEXIBLE 5/16-1410cm-JIC Fem 9/16-JIC Fem 9/16	
3	ST1969	1	BRACKET / EQUERRE	

SECTION 11 - OPTIONS / OPTIONS

FIGURE 11-3. 230V PLATFORM SOCKET INSTALL / INSTALLATION PRISE PLATEFORME 230V



SECTION 11 - OPTIONS / OPTIONS



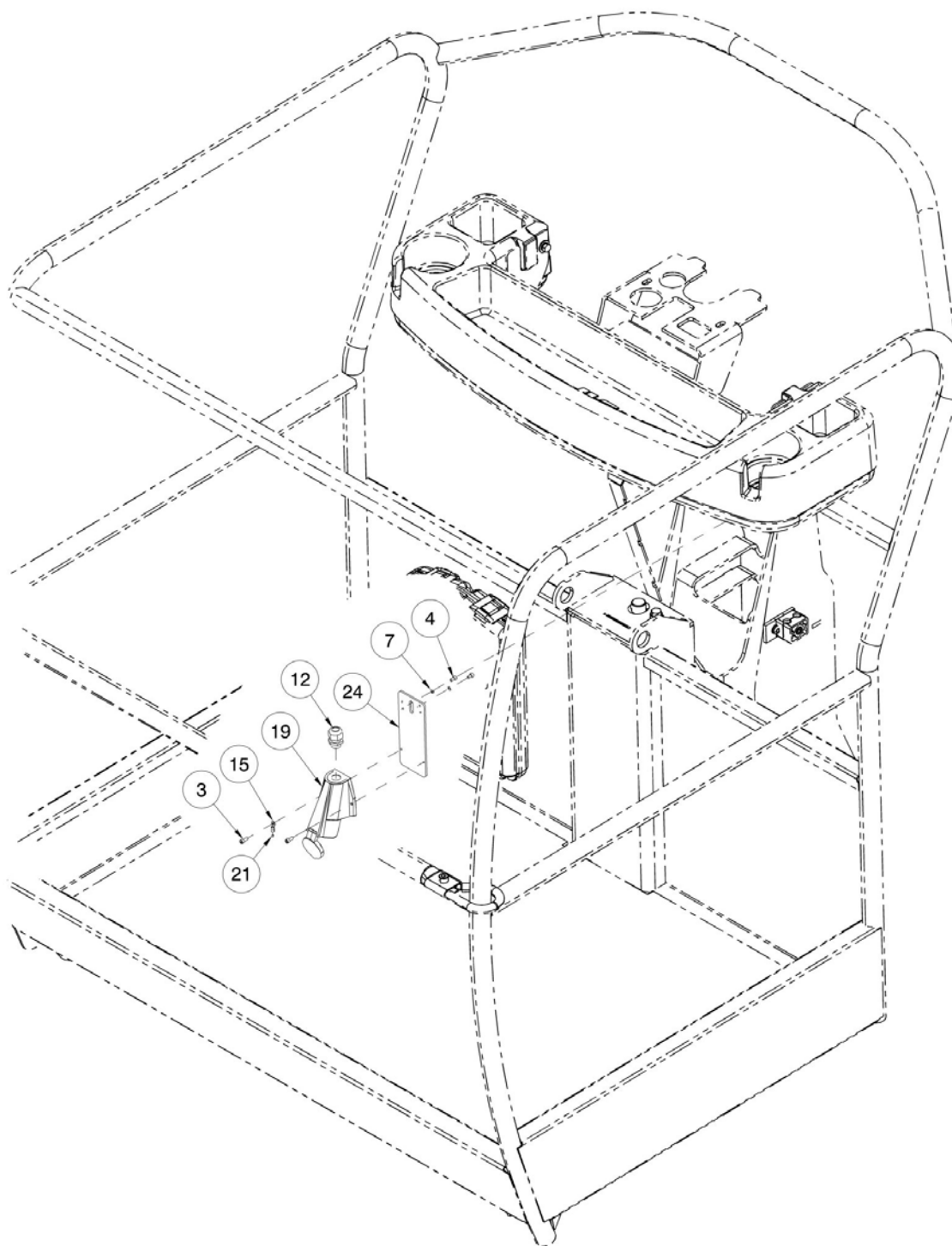
SECTION 11 - OPTIONS / OPTIONS

FIGURE 11-3. 230V PLATFORM SOCKET INSTALL / INSTALLATION PRISE PLATEFORME 230V

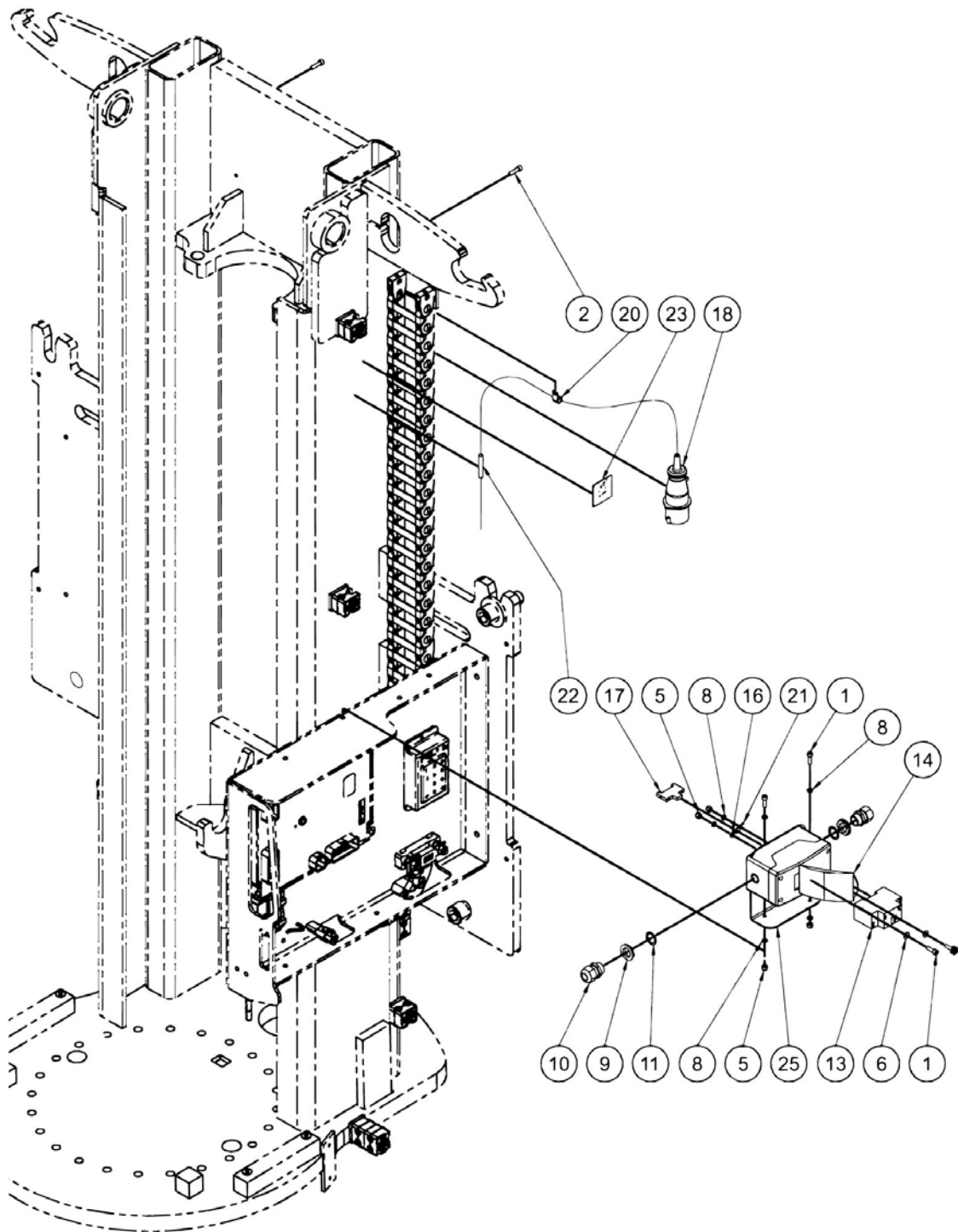
ITEM	PART NUMBER	QTY	DESCRIPTION	REV
0	OP523	Ref	PLUG AND RECEPT (220V) (CEE7 POST GROUND) / PRISE 220V (CEE7 TERRE FRONTALE)	
0	OP524	Ref	PLUG AND RECEPT (220V) (CEE7 SIDE GROUND) / PRISE 220V (CEE7 TERRE LATÉRALE)	
1	000005	4	M06x20 8.8 SOCKET HEAD MACH SCREW / VIS CHC M06x20 8.8 BI FT	
2	000085	2	M04x16 8.8 SOCKET HEAD MACH SCREW / VIS CHC M04x16 8.8 BI FT	
3	110001	2	M04 GR08 LOCK NUT / ECROU FREIN M4 CL08 BI	
4	110003	4	M06 GR08 LOCK NUT / ECROU FREIN M6 CL08 BI	
5	120009	2	dD 06x14 LOCK WASHER / RONDELLE CONTACT dD 06x14 BI	
6	120024	2	M4 LOCK WASHER / RONDELLE CONTACT M4 BI	
7	120058	2	WASHER, D4 SERRATED LOCK / RONDELLE EVENTAIL D4	
8	120060	6	WASHER, D6 SERRATED LOCK / RONDELLE EVENTAIL D6	
9	210011	1	GLAND N°13 NUT / ECROU DE PRESSE ETOUPE N°13	
10	210012	2	GLAND N°16 NUT / ECROU DE PRESSE ETOUPE N°16	
11	210019	1	GLAND N°13 / PRESSE ETOUPE N°13	
12	210021	2	GLAND N°16 / PRESSE ETOUPE N°16	
13	210065	2	SEAL, PG13 GLAND / JOINT DE PRESSE ETOUPE N°13	
14	240015	1	CUTOUT 30 mA / DISJONCTEUR DIFFERENTIEL 30 mA	
15	240093	1	CUTOUT BOX / BOITIER DISJONCTEUR	
16	250089	1	M4 EYELET TERMINAL 1-2.5MM ² / COSSE A OEIL ISOLEE M4 - 1-2.5mm ²	
17	250091	1	M6 EYELET TERMINAL 1-2.5MM ² / COSSE A OEIL ISOLEE M6 - 1-2.5mm ²	
18	250135	1	TERMINAL BLOCK VICKING / BLOC DE JONCTION VICKING	
19	260029	1	FRENCH 230 VAC SOCKET 2P+T / PRISE FEM. FRANCAISE 230VAC 2P+T	
19	260187	1	GERMAN 230 VAC SOCKET 2P+T / PRISE FEM.ALLEMANDE 230VAC 2P+T	
20	260214	1	FRENCH AND GERMAN 230V CONNECTOR / PRISE 230V FRANCAISE ET ALLEMANDE	
21	1321293	1	CLAMP, INSULATED BAND / COLLIER ISOLE	
22	270002	0.22	WIRE 2 MM ² Y/G (qty indicated in meter) / FIL 2 MM ² V/J (QTÉ INDIQUÉE EN MÈTRE)	
23	270059	1.2	CABLE 3G2.5MM ² COLOR LEADS (qty indicated in meter) / CABLE 3G2.5mm ² coloré (qté en mètre)	
24	AU1716	1	PLATFORM SOCKET DECAL / AUTOCOLLANT PRISE PANIER	
25	ST3681	1	SUPPORT, PLUG OPTION BOX / SUPPORT BOITIER	

SECTION 11 - OPTIONS / OPTIONS

FIGURE 11-4. 115V (CEI 60309 YELLOW) PLATFORM SOCKET INSTALL / INSTALLATION PRISE
PLATEFORME 115V (CEI 60309 JAUNE)



SECTION 11 - OPTIONS / OPTIONS



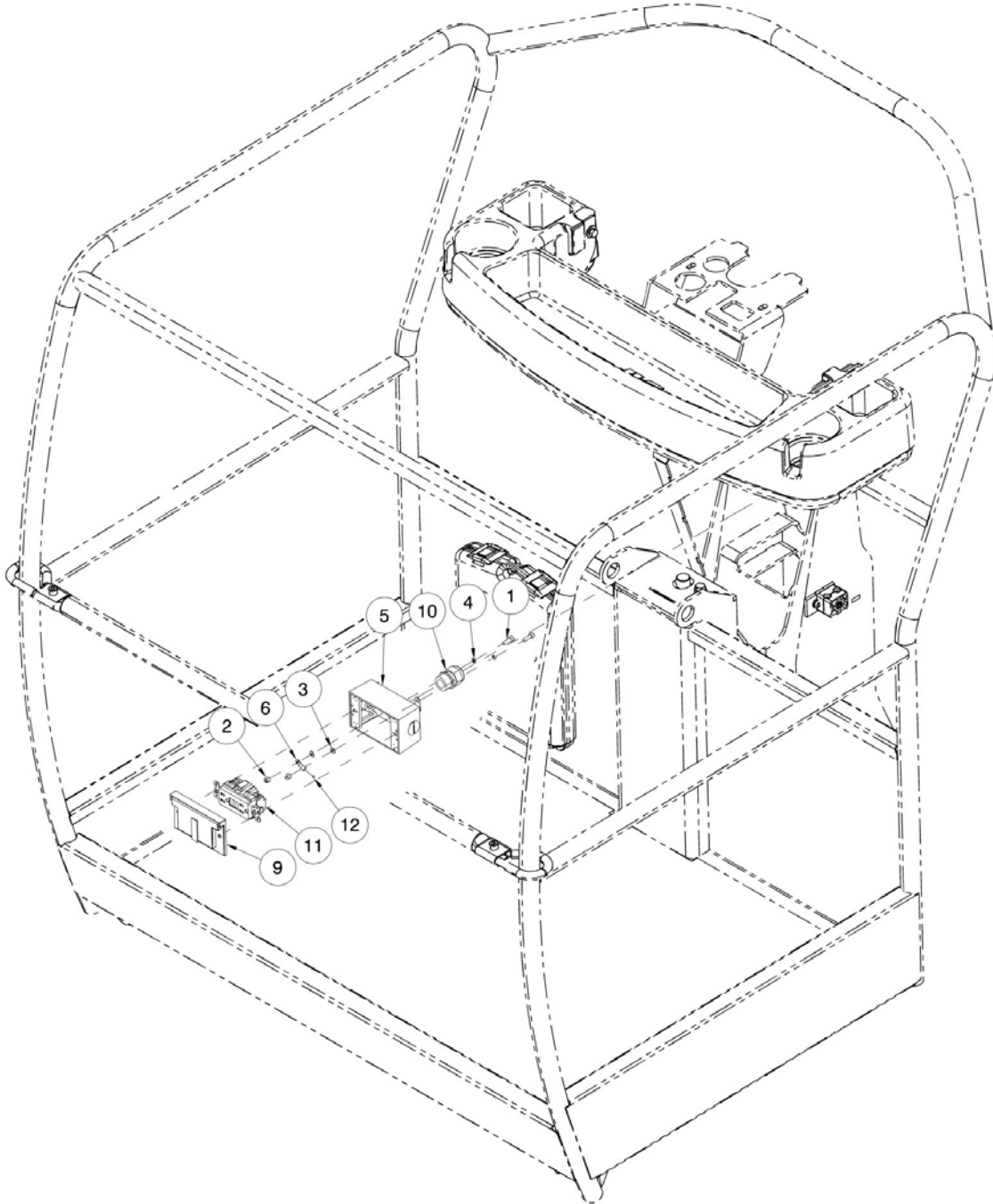
SECTION 11 - OPTIONS / OPTIONS

**FIGURE 11-4. 115V (CEI 60309 YELLOW) PLATFORM SOCKET INSTALL / INSTALLATION PRISE
PLATEFORME 115V (CEI 60309 JAUNE)**

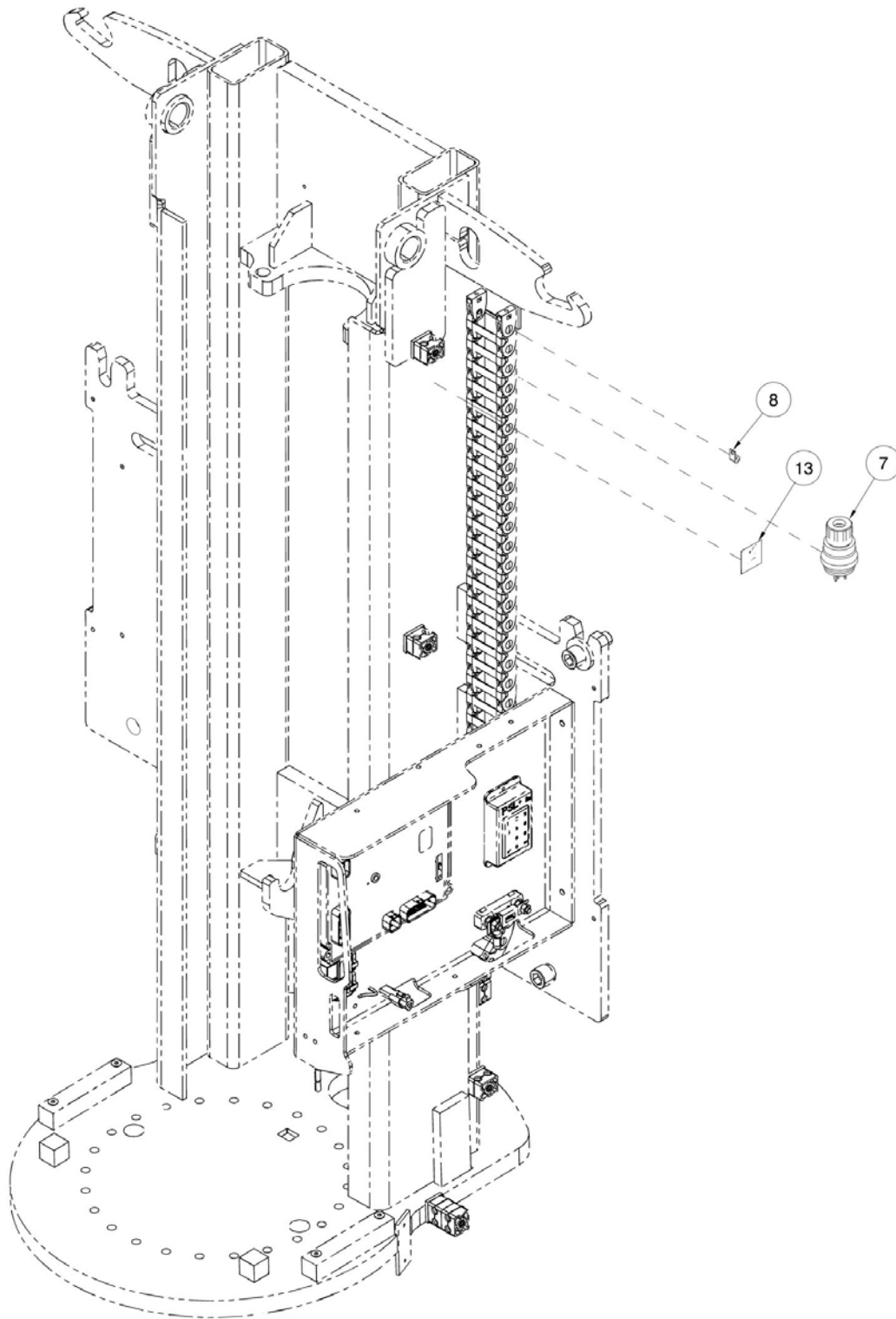
ITEM	PART NUMBER	QTY	DESCRIPTION	REV
0	OP525	Ref	PLUG AND RECEPT (115V) (IEC 60309 YELLOW) / PRISE 115 V (IEC 60309 JAUNE)	
1	000005	4	M06x20 8.8 SOCKET HEAD MACH SCREW / VIS CHC M06x20 8.8 BI FT	
2	000010	2	M05x20 8.8 SOCKET HEAD MACH SCREW / VIS CHC M05x20 8.8 BI FT	
3	000067	2	M05x12 8.8 SOCKET HEAD MACH SCREW / VIS CHC M05x12 8.8 BI FT	
4	000089	2	M05x08 8.8 SOCKET HEAD MACH SCREW / VIS CHC M05x08 8.8 BI FT	
5	110003	4	M06 GR08 LOCK NUT / ECROU FREIN M6 CL08 BI	
6	120009	2	DD 06x14 LOCK WASHER / RONDELLE CONTACT dD 06x14 BI	
7	120059	2	WASHER, D5 SERRATED LOCK / RONDELLE EVENTAIL D5	
8	120060	6	WASHER, D6 SERRATED LOCK / RONDELLE EVENTAIL D6	
9	210012	2	GLAND N°16 NUT / ECROU DE PRESSE ETOUPE N°16	
10	210021	2	GLAND N°13 / PRESSE ETOUPE N°13	
11	210065	2	SEAL, PG13 GLAND / JOINT DE PRESSE ETOUPE N°13	
12	210066	1	M20 CABLE GLAND / PRESSE ETOUPE M20	
13	240015	1	CUTOUT 30 MA / DISJONCTEUR DIFFERENTIEL 30 mA	
14	240093	1	CUTOUT BOX / BOITIER DISJONCTEUR	
15	250090	1	M5 EYELET TERMINAL 1-2.5MM ² / COSSE A OEIL ISOLEE M5 - 1-2.5MM ²	
16	250091	1	M6 EYELET TERMINAL 1-2.5MM ² / COSSE A OEIL ISOLEE M6 - 1-2.5mm ²	
17	250135	1	TERMINAL BLOCK VICKING / BLOC DE JONCTION VICKING	
18	260213	1	CONNECTOR 115VAC/16A IEC60309 / PRISE MALE 115VAC/16A CEI60309	
19	260258	1	115 VAC IEC60309 SURFACE SOCKET / PRISE FEMELLE FIXE 115VAC CEI60309	
20	1321293	1	CLAMP, INSULATED BAND / COLLIER ISOLE'	
21	270002	0.32	WIRE 2 mm ² Y/G (qty indicated in meter) / FIL 2 MM ² V/J (QTÉ INDIQUÉE EN MÈTRE)	
22	270059	1.2	CABLE 3G2.5mm ² Color leads (qty in meters) / CABLE 3G2.5mm ² coloré (qté en mètre)	
23	AU1716	1	PLATFORM SOCKET DECAL / AUTOCOLLANT PRISE PANIER	
24	ST3439	1	SUPPORT, SOCKET 115V / SUPPORT PRISE	
25	ST3681	1	SUPPORT, PLUG OPTION BOX / SUPPORT BOITIER	

SECTION 11 - OPTIONS / OPTIONS

FIGURE 11-5. 115V (GFI-US) PLATFORM SOCKET INSTALL / INSTALLATION PRISE PLATEFORME 115V (GFI-US)



SECTION 11 - OPTIONS / OPTIONS



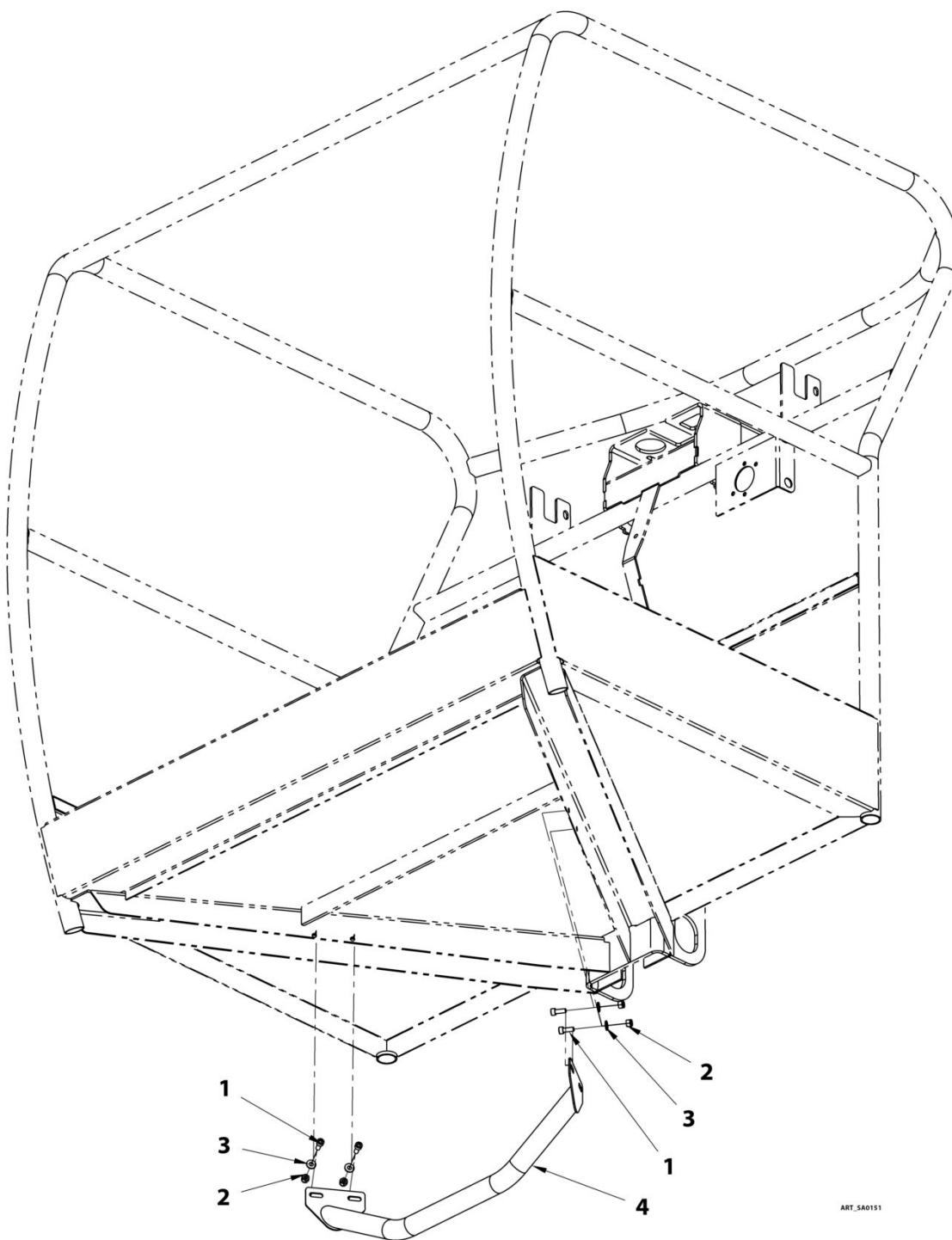
SECTION 11 - OPTIONS / OPTIONS

FIGURE 11-5. 115V (GFI-US) PLATFORM SOCKET INSTALL / INSTALLATION PRISE PLATEFORME 115V (GFI-US)

ITEM	PART NUMBER	QTY	DESCRIPTION	REV
0	OP526	Ref	PLUG AND RECEPT (115V-GFI) (US) / PRISE (115V -GFI) (US)	
1	000003	2	M05x16 8.8 SOCKET HEAD MACH SCREW / VIS CHC M05x16 8.8 BI FT	
2	110002	2	M05 GR08 LOCK NUT / ECROU FREIN M5 CL08 BI	
3	120002	2	M05 WASHER / RONDELLE M05 BI	
4	120059	2	WASHER, D5 SERRATED LOCK / RONDELLE EVENTAIL D5	
5	230016	1	ELECTRICAL BOX / BOITIER ELECTRIQUE	
6	250090	1	M5 EYELET TERMINAL 1-2.5MM ² / COSSE A OEIL ISOLEE M5 - 1-2.5MM ²	
7	260276	1	US 125 VAC MALE CONNEC (=7634002827). / PRISE US 125VAC (=7364002824)	
8	1321293	1	CLAMP, INSULATED BAND / COLLIER ISOLE	
9	4060700	1	CIRCUIT BREAKER COVER / COUVERCLE COUPE CIRCUIT	
10	4460071	1	CONNECTOR, WATER TIGHT / PRESSE ETOUPE	
11	4460346	1	CIRCUIT BREAKER KIT / KIT COUPE CIRCUIT	
12	270002	0.1	WIRE 2 MM ² Y/G (qty indicated in meter) / FIL 2 MM ² V/J (QTÉ INDIQUÉE EN MÈTRE)	
13	AU1716	1	PLATFORM SOCKET DECAL / AUTOCOLLANT PRISE PANIER	

SECTION 11 - OPTIONS / OPTIONS

FIGURE 11-6. PLATFORM ROTATION CYLINDER PROTECTION / PROTECTION VERIN ROTATION PLATE-FORME



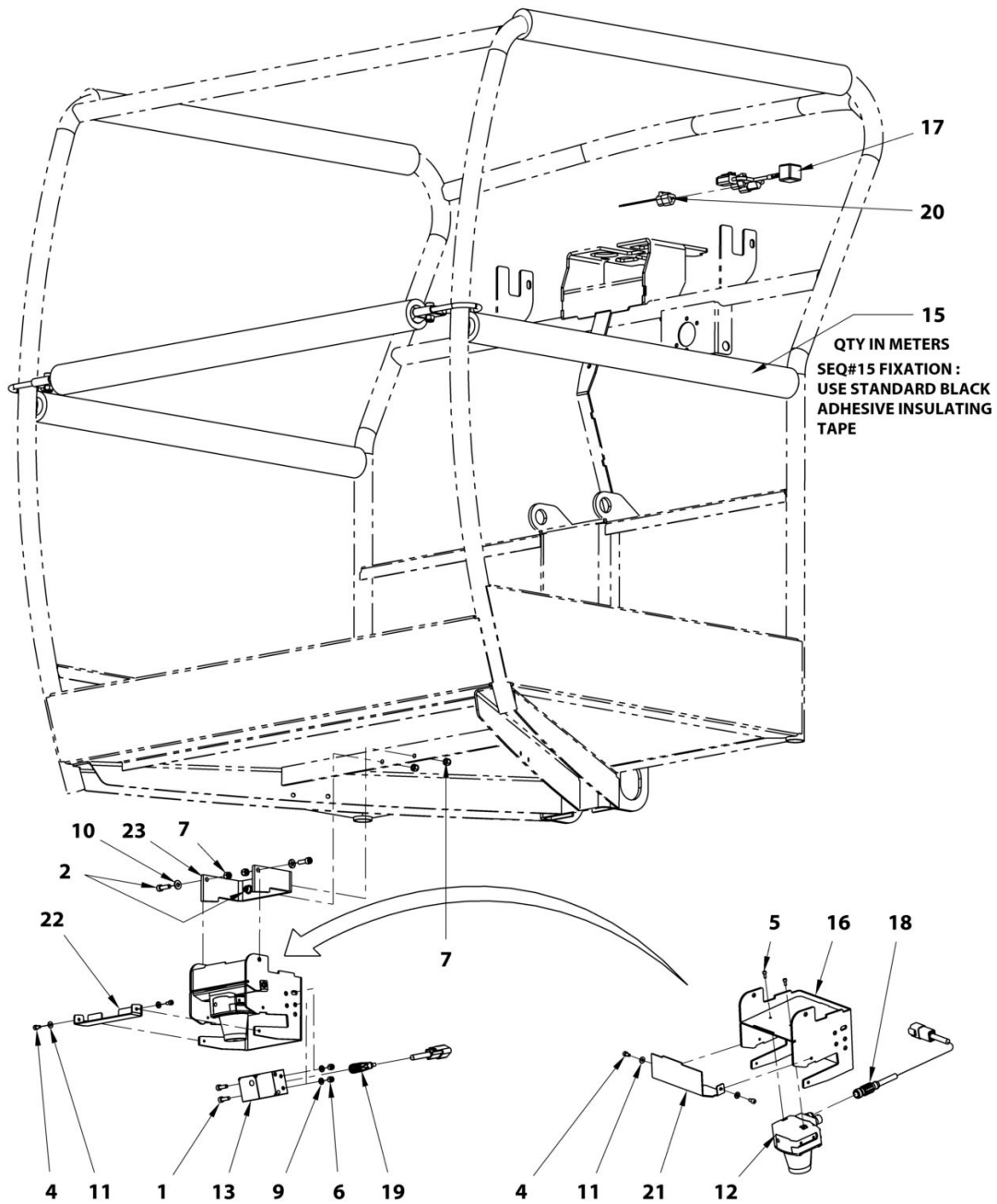
SECTION 11 - OPTIONS / OPTIONS

**FIGURE 11-6. PLATFORM ROTATION CYLINDER PROTECTION / PROTECTION VERIN ROTATION
PLATE-FORME**

ITEM	PART NUMBER	QTY	DESCRIPTION	REV
0	SA0151	Ref	INSTALL,ROTATION CYLINDER PROTECTION / INSTALLATION PROTECTION VERIN ROTATION	
1	000015	4	M06x16 8.8 SOCKET HEAD MACH SCREW / VIS CHC M06x16 8.8 BI FT	
2	110003	4	M06 GR. 8.8 LOCK NUT / ECROU FREIN M6 CL08 BI	
3	120009	4	LOCK WASHER D06x14 / RONDELLE CONTACT dD 06x14 BI	
4	DL0928	1	TUBE,CYLINDER PROTECTION / TUBE DE PROTECTION VERIN	

SECTION 11 - OPTIONS / OPTIONS

FIGURE 11-7. PLATFORM W/ ROTATION SOFT TOUCH / CADRE SENSIBLE AVEC ROTATION
PLATE-FORME



ASSEMBLING ORDER TO BE RESPECTED :
1- SEQ#13 AND SEQ#19
2- SEQ#12 AND SEQ#18

ART_OPS30

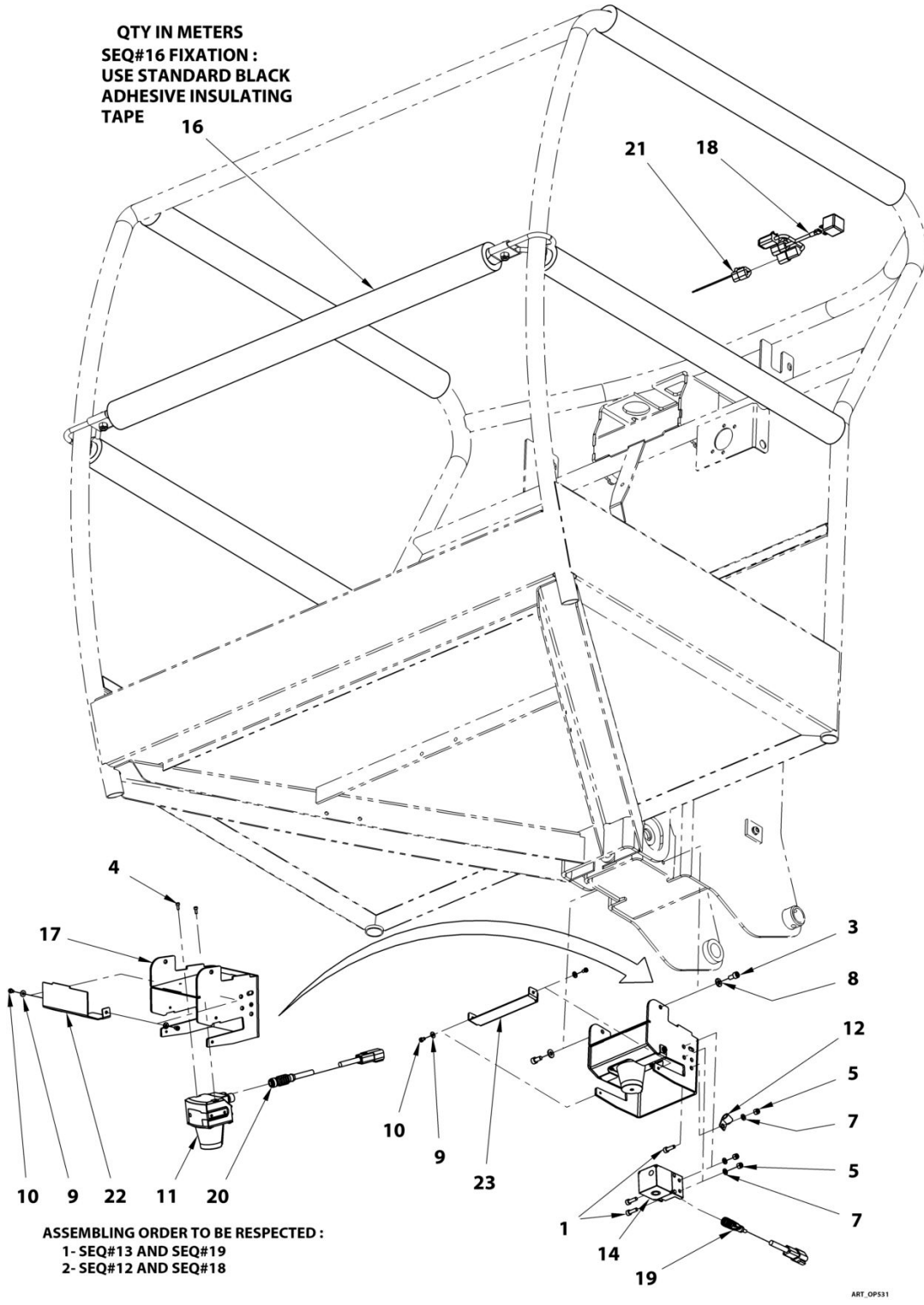
SECTION 11 - OPTIONS / OPTIONS

**FIGURE 11-7. PLATFORM W/ ROTATION SOFT TOUCH / CADRE SENSIBLE AVEC ROTATION
PLATE-FORME**

ITEM	PART NUMBER	QTY	DESCRIPTION	REV
0	OP530	Ref	PLATFORM W/ ROTATION SOFT TOUCH / CADRE SENSIBLE AVEC ROTATION	
1	000003	2	M05x16 8.8 SOCKET HEAD MACH SCREW / VIS CHC M05x16 8.8 BI FT	
2	000005	4	M06x20 8.8 SOCKET HEAD MACH SCREW / VIS CHC M06x20 8.8 BI FT	
4	000090	4	M04x08 8.8 SOCKET HEAD MACH SCREW / VIS CHC M04x08 8.8 BI FT	
5	000093	2	M03x08 8.8 SOCKET HEAD MACH SCREW / VIS CHC M03x08 8.8 BI FT	
6	110002	2	M05 GR. 8.8 LOCK NUT / ECROU FREIN M5 CL08 BI	
7	110003	4	M06 GR. 8.8 LOCK NUT / ECROU FREIN M6 CL08 BI	
9	120002	2	M05 WASHER / RONDELLE M05 BI	
10	120009	4	LOCK WASHER D06x14 / RONDELLE CONTACT dD 06x14 BI	
11	120024	4	LOCK WASHER D04x10 / RONDELLE CONTACT M4 BI	
12	260339	1	SENSOR,2D LASER SCANNER / SCANNER LASER 2D	
13	260341	1	SENSOR,ULTRASONIC / DETECTEUR ULTRASON	
15	400087	4	INSULATION PIPE D30 INT. LENGTHH 1m / TUBE ISOLANT D30 INT. LONGUEUR 1m	
16	DL0929	1	SUPPORT,SOFT TOUCH / SUPPORT CADRE SENSIBLE	
17	PC0617	1	HARNESS,SOFT TOUCH / FAISCEAU CADRE SENSIBLE	
18	PC0618	1	HARNESS,LASER SENSOR / FAISCEAU SCANNER LASER	
19	PC0619	1	HARNESS,ULTRASONIC SENSOR / FAISCEAU DETECTEUR ULTRASON	
20	PC0622	1	HARNESS,SOFT TOUCH CONNECTORS / FAISCEAU CONNECTEURS CADRE SENSIBLE	
21	ST3826	1	SHIELD,SENSORS PROTECTION / TOLE PROTECTION CAPTEURS	
22	ST3827	1	SHIELD,SENSORS PROTECTION / TOLE PROTECTION CAPTEURS	
23	ST3830	1	MOUNT,SOFT TOUCH SUPPORT / MONTAGE SUPPORT CADRE SENSIBLE	

SECTION 11 - OPTIONS / OPTIONS

FIGURE 11-8. PLATFORM W/O ROTATION SOFT TOUCH / CADRE SENSIBLE SANS ROTATION
PLATE-FORME



SECTION 11 - OPTIONS / OPTIONS

**FIGURE 11-8. PLATFORM W/O ROTATION SOFT TOUCH / CADRE SENSIBLE SANS ROTATION
PLATE-FORME**

ITEM	PART NUMBER	QTY	DESCRIPTION	REV
0	OP531	Ref	PLATFORM W/O ROTATION SOFT TOUCH / CADRE SENSIBLE SANS ROTATION	
1	000003	3	M05x16 8.8 SOCKET HEAD MACH SCREW / VIS CHC M05x16 8.8 BI FT	
3	000014	2	M06x12 8.8 SOCKET HEAD MACH SCREW / VIS CHC M06x12 8.8 BI FT	
4	000093	2	M03x08 8.8 SOCKET HEAD MACH SCREW / VIS CHC M03x08 8.8 BI FT	
5	110002	3	M05 GR. 8.8 LOCK NUT / ECROU FREIN M5 CL08 BI	
7	120002	3	M05 WASHER / RONDELLE M05 BI	
8	120009	2	LOCK WASHER D06x14 / RONDELLE CONTACT dD 06x14 BI	
9	120024	4	LOCK WASHER D04x10 / RONDELLE CONTACT M4 BI	
10	130059	4	M04x06 GR. 4.8 CYLINDRIC HEAD / VIS TC M04x06 4.8 ZI	
11	260339	1	SENSOR,2D LASER SCANNER / SCANNER LASER 2D	
12	1321293	1	CLAMP,CABLE / COLLIER ISOLE	
14	260341	1	SENSOR,ULTRASONIC / DETECTEUR ULTRASON	
16	400087	4	INSULATION PIPE D30 INT. LENGTHH 1m / TUBE ISOLANT D30 INT. LONGUEUR 1m	
17	DL0929	1	SUPPORT,SOFT TOUCH / SUPPORT CADRE SENSIBLE	
18	PC0617	1	HARNESS,SOFT TOUCH / FAISCEAU CADRE SENSIBLE	
19	PC0620	1	HARNESS,ULTRASONIC SENSOR / FAISCEAU DETECTEUR ULTRASON	
20	PC0621	1	HARNESS,LASER SENSOR / FAISCEAU SCANNER LASER	
21	PC0622	1	HARNESS,SOFT TOUCH CONNECTORS / FAISCEAU CONNECTEURS CADRE SENSIBLE	
22	ST3826	1	SHIELD,SENSORS PROTECTION / TOLE PROTECTION CAPTEURS	
23	ST3827	1	SHIELD,SENSORS PROTECTION / TOLE PROTECTION CAPTEURS	

SECTION 12 - RECOMMENDED PART LIST / PIECES RECOMMANDEES

**SECTION 12 - RECOMMENDED PART LIST / PIECES
RECOMMANDEES**

SECTION 12 - RECOMMENDED PART LIST / PIÈCES RECOMMANDÉES

FIGURE 12-1. RECOMMENDED PARTS LIST / LISTE DES PIÈCES RECOMMANDÉES

ITEM	PART NUMBER	QTY	DESCRIPTION	REV
	Note		The following list will service one Machine with emergency repair parts which can be installed in the field. Parts from the list should be replaced when inventory is depleted to keep service parts stock supplied. For further information, contact your JLG Industries Parts Department. / La liste suivante indique (pour une Machine) les pièces de réparation d'urgence qui peuvent être installées sur le terrain. La quantité de pièces de cette liste doit être tenue en stock minimum. Pour de plus amples informations, contactez votre SAV JLG Industries.	B
		Ref	STANDARD PARTS / PIÈCES STANDARDS	
	260115	1	250 A FUSE / FUSIBLE 250 A	
	2860030	1	KEY (INCLUDED IN ITEM 4360469) / CLE (COMPRISE DANS REF 4360469)	
	1001115919	1	SWITCH, PUSH BUTTON-ENABLE / BP DE VALIDATION	
	1001154753	1	MEMBRANE SWITCHES / INTERUPTEURS A MEMBRANE	
	240056	1	NO CONTACT BLOCK WITH HOLDER / EMBASE CONTACT NO	
	4360562	1	COMPLETE KNOB / ARRET D'URGENCE COMPLET	
	7027367	1	SWITCH ENABLER / CONTACT VALIDATION	
	952115	1	CAP, OIL FILLING / BOUCHON DE REMPLISSAGE	
	1001151762	1	RELAY, 48V / RELAIS 48V	
	3740080	1	RELAY, WATERPROOF 12V / RELAIS ETANCHE 12V (Prior to SN A300053009)	B
	8229242	1	MINI FUSE 5A / FUSIBLE 5A	
	80983191	1	MINI FUSE 10A / FUSIBLE 10A	
	8229245	1	MINI FUSE 30A / FUSIBLE 30A	
		Ref	VARIABLE PARTS / AUTRES PIÈCES	
	0140011	1	AUDIBLE SIGNAL DEVICE / AVERTISSEUR SONORE	
	0140043	1	ALARM, MOTION/DESCENT/HORN / AUDIBLE SIGNAL DEVICE	
	1001117177	1	SWITCH, NEOPRENE BOOT / CAPUCHON D'ETANCHEITE NEOPRENE	
	110040	4	D8 CAGE HEX NUT / ECROU CAGE D8	
	130064	4	D8 FAST-LEAD THREAD SCREW / VIS D8 PAS RAPIDE TETE LARGE	
	190072	3	COMPRESSION LATCH / LOQUET A COMPRESSION	
	190074	2	FRICTION HINGE / CHARNIERE A FRICTION	
	260331	2	CONTROL, ZAPI COMBI ACO / VARIATEUR COMBI-ACO	
	1001109503	1	MULTI DISPLAY INDICATOR / AFFICHEUR MULTIFONCTION	
	1001152628	1	PC-BRD, DE-POP UGM / CARTE ELECTRONIQUE UGM	
	4360469	1	KEY (INCLUDED IN ITEM 4360469) / CLE (COMPRISE DANS REF 4360469)	
	KT0160	1	KIT-SERVICE, GROUND PANEL / KIT SAV PLATINE BOITIER BAS (Prior to SN A300053009)	B
	SE1208	1	KIT-SERVICE, GROUND PANEL / KIT SAV PLATINE BOITIER BAS (SN A300053009 to Present)	B
	952136	2	COIL, POPPET NC / BOBINE POPPET NC	
	PC0468	1	HARNESS, LOAD SENSING SWITCH / FAISCEAU CAPTEUR DE SURCHARGE	
	1001152692	1	P/C BOARD WITH SOFTWARE / CARTE BOITIER HAUT PROGRAMMEE	
	1001155354	3	THUMB JOYSTICK / MINI JOYSTICK	
	1600458	1	JOYSTICK / JOYSTICK	

SECTION 12 - RECOMMENDED PART LIST / PIECES RECOMMANDEES

ITEM	PART NUMBER	QTY	DESCRIPTION	REV
	952110	2	COIL,PROPORTIONAL VALVE / BOBINE LIMITEUR PROPORTIONNEL	
	952123	8	COIL,SPOOL 4-3 / BOBINE DISTRIBUTEUR	
	1001151895	1	HARNESS,TILT SENSOR SWITCH / FAISCEAU CAPTEUR DE DEVERS	
	260323	3	NO/NC SWITCH PG11 / CAPTEUR NO/NF PE11	
	260327	4	NO/NC SWITCH PG11 / CAPTEUR NO/NF PE11	
	4000008	1	PROXIMITY SENSOR ASSEMBLY / FAISCEAU DETECTEUR DE PROXIMITE	
	4360505	1	ROTARY ANGLE SENSOR / CAPTEUR D'ANGLE	

PART NUMBER INDEX

PART NUMBER INDEX

000003.79, 148, 153, 155	1001116734 102	1001173703 131	130021..... 10, 77
000005.... 10, 28, 79, 140, 144, 153	1001116810 103	1001187632 28	130029..... 63, 65
000006.47, 49, 63, 85, 87	1001116812 101, 102, 104, 105	1001190132 101	130034..... 23
000007..... 73, 113	1001116815 101	1001192401 103	130059..... 28, 155
000008.15, 28, 67, 77, 79	1001116816 101	1001210948 28	130062..... 28
000010..... 117, 144	1001116946 101	1001212355 128	130064..... 10, 158
000011..... 87	1001117177 69, 158	1001212356 126	130067..... 47, 49
000014 10, 28, 43, 53, 63, 65, 113, 117, 155	1001118282 102	1001214029 131	130068..... 117, 118
000015..... 85, 87, 151	1001120474 135	1001214811 87	1321293.... 113, 140, 144, 148, 155
000017..... 15, 34, 135	1001126007 100	1001214812 87	140009..... 34
000018..... 10, 28, 47, 49	1001126008 100, 101	1001223304 106	140016..... 25
000026..... 49, 77	1001126011 105	1001228269 73	140026..... 25
000042..... 85, 87, 117	1001128128 102	100156 89	150001..... 53
000047..... 23	1001144147 100, 101, 103, 104, 107	1060688 118	150002..... 51, 55, 57, 59
000049..... 10	1001150611 103	1060689 118	150004..... 15
000050..... 113	1001151762 28, 158	110001 73, 140	150006..... 41
000051..... 77, 79	1001151788 103	110002 10, 34, 73, 77, 79, 117, 148, 153, 155	150007..... 39
000053..... 73	1001151824 103	110003 10, 15, 25, 28, 34, 37, 39, 41, 49, 63, 65, 77, 79, 85, 87, 140, 144, 151, 153	150009..... 25
000059..... 43, 47, 49, 53	1001151895 106, 113, 159	110004 34, 47, 49, 63, 85, 87	150011..... 37
000067 ..10, 91, 113, 135, 144	1001152080 100	110005 16	150019..... 16
000073..... 28	1001152082 69	110006 34	150038..... 73
000076..... 117	1001152083 28	110008 15, 47, 49, 73	150058..... 16
000077 15, 49, 51, 57, 77, 79	1001152090 101	110009 34	150059..... 15
000085..... 140	1001152091 107, 113	110010 34	150061..... 63
000089..... 57, 59, 73, 144	1001152093 101	110015 89, 117	1580012..... 67
000090..... 63, 65, 153	1001152094 103	110016 23	160010..... 113
000093..... 153, 155	1001152095 104	110017 23	160033..... 63
000095..... 73	1001152162 104	110019 34	1600458..... 69, 158
000096..... 15	1001152163 104	110020 34	170002..... 34
0140011 69, 158	1001152164 104	110022 63	170007..... 34
0140043..... 28, 106, 158	1001152165 104	110025 34	170008..... 34
0641406..... 67	1001152481 28	110036 34	170009..... 34
0700812..... 34	1001152567 105	110040 10, 158	170010..... 34
0700821..... 34	1001152628 28, 158	110042 89	1701499..... 125, 126
0760310..... 69	1001152650 117	120001 15	1701640..... 125, 126
0840060..... 117	1001152692 69, 158	120002 73, 77, 79, 91, 113, 117, 148, 153, 155	1703785..... 126
100004..... 15	1001154560 69	120003 63	1703811..... 125, 126
100005..... 117	1001154615 69	120004 10, 67	1703814..... 125, 126
100007..... 47, 49	1001154664 67, 69	120006 34	1704277..... 125, 126
100008..... 25	1001154726 107	120009 10, 28, 34, 43, 49, 53, 63, 65, 77, 113, 117, 140, 144, 151, 153, 155	1704885..... 126
100009..... 73	1001154753 69, 158	120010 10, 23, 34, 43, 47, 49, 53, 73, 85, 87, 89, 117, 118	1705781..... 125, 126
100013..... 37, 39, 41, 65	1001155321 69	120011 89	1705803..... 125
100038..... 23	1001155328 69	120015 73	1706493..... 125
100039..... 15	1001155354 69, 158	120017 34	1706740..... 125, 126
100051..... 89	1001155457 69	120018 34	1706764..... 125
100053..... 15	1001155460 69	120021 28	1706898..... 69
100054..... 63, 89	1001155461 69	120024 . 63, 65, 113, 140, 153, 155	180003..... 16
100098..... 113	1001155745 70	120033 28	180009..... 10
100103..... 23	1001156541 104	120057 10	190027..... 85, 87
1001097051 105	1001156692 103	120058 73, 140	190072..... 10, 158
1001103012 100, 106	1001157456 105	120059 144, 148	190074..... 10, 158
1001104498 100	1001157457 105	120060 140, 144	190077..... 89
1001107854 100, 106	1001157803 106, 113	120061 11, 15	2080040..... 65
1001109503 28, 158	1001157804 106, 113	130003 25, 77	210011..... 140
1001110544 69	1001159126 73		210012..... 140, 144
1001112113 118	1001159127 73, 107		210018..... 106, 108
1001113961 102	1001159297 107		210019..... 140
1001115919 69, 158	1001159298 107		210021..... 140, 144
1001116692 104, 107	1001159299 107		210033..... 108
1001116693 103, 104, 107	1001159300 107		210065..... 140, 144
1001116733 102	1001161254 102		210066..... 144
	1001164530 73		230016..... 148
			2400060..... 101, 103
			240015..... 140, 144
			240056..... 69, 158

PART NUMBER INDEX

240057.....	28, 69	400037.....	77, 79	4460930.....	100, 104	952119.....	91
240058.....	69	400048.....	63	4460931.....	101, 103	952120.....	91
240060.....	28, 69	400057.....	10	4460932.....	103, 105	952122.....	91
240076.....	28, 69	400059.....	121	4460942.....	103	952123.....	91, 93, 159
240093.....	140, 144	400077.....	135	4460943.....	100, 101, 103,	952124.....	91
250010.....	101	400081.....	113	104, 107		952125.....	91
250031.....	28, 117, 118	400086.....	121	4460944.....	100, 101, 102,	952126.....	91
250089.....	140	400087.....	153, 155	104, 105		952127.....	91
250090.....	144, 148	400092.....	77	4460967.....	104, 107	952128.....	93
250091.....	140, 144	400093.....	117	4460984.....	101	952129.....	93
250135.....	140, 144	400099.....	65	4461076.....	106	952130.....	93
250141.....	108	4060700.....	148	4461077.....	100, 101	952131.....	93
250144.....	108	4071095.....	65	4751400.....	67	952132.....	93
250211.....	118	4220309.....	65	4761400.....	67	952134.....	43, 53
250213.....	118	4240147.....	16	500044.....	23	952135.....	43, 53
2600281.....	65	4340871.....	69	500045.....	25	952136.....	43, 53, 158
260029.....	140	4360469.....	28, 158	510091.....	15, 19	952137.....	43
260077.....	28	4360505.....	106, 113, 159	510093.....	117	952138.....	53
260115.....	28, 158	4360562.....	69, 158	510094.....	118	952143.....	43, 53
260187.....	140	4460016.....	100	520122.....	85	952144.....	19
260213.....	144	4460042.....	103	520123.....	91	952145.....	19
260214.....	140	4460071.....	148	520124.....	93	952146.....	19
260258.....	144	4460226.....	107	520125.....	43	952147.....	19
260259.....	117	4460227.....	107	520126.....	49, 57	952148.....	19
260260.....	117	4460267.....	103	520127.....	51	952151.....	19
260276.....	148	4460268.....	107	520128.....	53	952152.....	19
260321.....	107	4460321.....	107	520130.....	87	952153.....	19
260323.....	108, 159	4460326.....	107	70000084.....	69	952154.....	19
260327.....	106, 159	4460346.....	148	70000682.....	69	952155.....	19
260329.....	106	4460464.....	101, 103, 104,	7027365.....	69	952156.....	19
260331.....	15, 158	105, 106, 135		7027367.....	69, 158	952158.....	87
260339.....	153, 155	4460465.....	100, 101, 102,	7027765.....	69	952159.....	87
260341.....	153, 155	103, 104, 105, 106,		7027766.....	69	952160.....	43, 53
270002.....	140, 144, 148	107, 108, 135		80983191.....	103, 158	952161.....	93
270059.....	140, 144	4460466.....	100, 101, 103,	8220045.....	103	952162.....	93
280013.....	113	104, 105, 107		8220058.....	100	952163.....	49, 51, 57
280023.....	63	4460496.....	69	8229242.....	101, 158	952164.....	87
2860030.....	28, 158	4460497.....	69	8229245.....	103, 158	952165.....	85, 87
300001.....	15, 93	4460509.....	103, 118	8990147.....	63, 65	952166.....	87
30002549, 51, 57, 85, 87,		4460518.....	101	920042.....	77, 79	960101.....	15
91, 93		4460536.....	103, 104, 106	920045.....	77, 79	960102.....	51, 55
300037.....	85, 91	4460539.....	100, 102, 104	920046.....	77, 79	960103.....	55
30004025, 43, 53, 55, 91,		4460670.....	102	920061.....	15	960104.....	55
93		4460702.....	100	920065.....	15	960105.....	51
300061.....	55	4460754.....	103, 104	920073.....	77, 79	960106.....	51
300067.....	85	4460761.....	102	920078.....	77	960107.....	57
300101.....	91	4460851.....	105	920079.....	77	960108.....	59
300108.....	85	4460852.....	105	920080.....	77	960109.....	53
300161.....	137	4460871.....	100, 101, 102	920081.....	77	960110.....	43
310099.....	47, 49	4460872.....	102	920082.....	77	AU0048.....	125, 127
310109.....	85, 87	4460873.....	100, 102	950039.....	121	AU0149.....	125, 126
310110.....	85	4460874.....	102	950052.....	121	AU1716.....	140, 144, 148
310111.....	85	4460875.....	102	950215.....	121	AU1825.....	125, 126
320071.....	25	4460876.....	101, 102	950219.....	121	AU2101.....	125, 127
3290305.....	69	4460878.....	102	950220.....	121	AU2102.....	125
3340962.....	65	4460884.....	100, 101, 103,	950221.....	121	AU2103.....	125
3575796.....	69	107		951044.....	19	AU2104.....	125, 127
3740080.....	102, 158	4460887.....	102	952109.....	85, 87	AU2105.....	125, 127
3820019.....	69	4460891.....	100, 101, 105,	952110.....	85, 87, 91, 159	AU2107.....	126
3820037.....	65	106, 108, 135		952111.....	85, 87	AU2108.....	125
3900357.....	69	4460894.....	104	952112.....	85, 87	AU2109.....	125
3900358.....	69	4460897.....	104, 105, 106,	952113.....	85, 87	AU2117.....	127, 128
3900359.....	69	135		952114.....	85, 87	AU2118.....	127, 128
4000007.....	106	4460899.....	104	952115.....	85, 87, 158	AU2119.....	127, 128
4000008.....	106, 113, 159	4460905.....	100, 101, 102	952116.....	85	AU2120.....	127, 128
400012.....	117	4460917.....	106	952117.....	85, 87	AU2121.....	127
400018.....	77, 79	4460928.....	100	952118.....	91	AU2140.....	128

PART NUMBER INDEX

AU2141.....	127	DL0896.....	34	SA0118.....	15	ST2475.....	23
AU2143.....	128	DL0897.....	15	SA0119.....	23	ST2741.....	63, 65
AU2144.....	127	DL0898.....	16	SA0120.....	23	ST3219.....	77, 79
AU2147.....	127	DL0899.....	11	SA0121.....	67	ST3226.....	113
AU2148.....	127	DL0900.....	65	SA0122.....	28	ST3227.....	113
AU2149.....	127	DL0901.....	73	SA0123.....	113	ST3234.....	63, 65
AU2150.....	127	DL0902.....	117, 118	SA0124.....	63	ST3312.....	69
AU2152.....	128	DL0903.....	117, 118	SA0125.....	65	ST3439.....	144
AU2153.....	128	DL0904.....	117, 118	SA0126.....	77	ST3495.....	16
AU2154.....	128	DL0905.....	10	SA0127.....	89	ST3496.....	16
AU2155.....	128	DL0906.....	10	SA0128.....	10	ST3497.....	59
AU2189.....	28	DL0907.....	34	SA0129.....	23	ST3498.....	55
AU2190.....	125	DL0911.....	89	SA0131.....	100	ST3499.....	51
AU2191.....	125, 126	DL0912.....	34	SA0132.....	100	ST3500.....	53
AU2192.....	125, 126	DL0928.....	151	SA0133.....	47	ST3501.....	57
AU2193.....	125	DL0929.....	153, 155	SA0134.....	49	ST3521.....	63
AU2194.....	125	KT0157.....	25	SA0135.....	117	ST3523.....	47, 49
AU2195.....	126, 127	KT0158.....	83	SA0136.....	117	ST3524.....	49
AU2196.....	126, 127	KT0159.....	83	SA0137.....	117	ST3525.....	47, 49
AU2197.....	125	KT0160.....	29, 158	SA0138.....	11	ST3526.....	47, 49
AU2198.....	127	KT0161.....	117, 121	SA0139.....	23	ST3527.....	15
AU2199.....	127	KT0162.....	83	SA0140.....	73	ST3557.....	43
AU2200.....	73	KT0163.....	83	SA0141.....	73	ST3563.....	15
AU2201.....	127	OP523.....	140	SA0142.....	79	ST3575.....	79
AU2202.....	127	OP524.....	140	SA0143.....	79	ST3612.....	53
AU2203.....	127	OP525.....	144	SA0144.....	16	ST3613.....	43
AU2204.....	127	OP526.....	148	SA0145.....	16	ST3623.....	79
AU2205.....	127	OP527.....	137	SA0151.....	151	ST3624.....	77
AU2206.....	127	OP528.....	137	SD0345.....	113	ST3632.....	117, 118
AU2208.....	28	OP529.....	135	SD0452.....	39	ST3636.....	10
AU2211.....	126, 127	OP530.....	153	SD0453.....	37	ST3637.....	10
AU2214.....	125, 127	OP531.....	155	SD0464.....	113	ST3638.....	10
AU2215.....	89, 126, 128	PA1138.....	125, 126	SD0605.....	41	ST3640.....	89
AU2228.....	128	PA1141.....	126	SD0748.....	10	ST3641.....	11
AU2229.....	126, 128	PA1142.....	126	SD0749.....	10	ST3647.....	117, 118
DF0987.....	83	PA1143.....	126	SD0750.....	10	ST3648.....	28
DF0988.....	83	PA1144.....	126	SE0730.....	34, 37	ST3651.....	11
DF0989.....	83	PA1145.....	125	SE0731.....	34, 39	ST3652.....	11
DF0990.....	83	PC0468.....	63, 107, 158	SE0733.....	34, 41	ST3653.....	28
DF0991.....	83	PC0483.....	105	SE0929.....	34	ST3654.....	29
DF0992.....	83	PC0484.....	105	SE0931.....	28	ST3655.....	23
DF0993.....	83	PC0494.....	118	SE0933.....	73, 108	ST3656.....	23
DF0994.....	83	PC0495.....	118	SE0934.....	23, 25	ST3657.....	113
DF0995.....	83	PC0496.....	118	SE1150.....	89, 93	ST3664.....	10
DF0996.....	83	PC0534.....	11, 106	SE1151.....	89, 91	ST3665.....	10
DF0997.....	83	PC0548.....	117	SE1153.....	47, 49, 51	ST3666.....	11
DF0998.....	83	PC0549.....	105	SE1154.....	47, 57	ST3667.....	10
DF0999.....	83	PC0550.....	105	SE1155.....	49, 59	ST3668.....	10
DF1000.....	83	PC0551.....	105	SE1156.....	34, 43	ST3669.....	10
DF1001.....	137	PC0552.....	105	SE1157.....	47, 49, 53	ST3681.....	140, 144
DF1002.....	137	PC0553.....	105	SE1158.....	47, 49, 55	ST3684.....	73
DF1003.....	83	PC0554.....	106	SE1159.....	15	ST3687.....	91
DF1004.....	83	PC0555.....	106	SE1160.....	85	ST3688.....	85, 87
DF1005.....	83	PC0556.....	106	SE1162.....	105	ST3689.....	135
DL0878.....	47, 49	PC0557.....	106	SE1203.....	28	ST3690.....	47, 49
DL0879.....	49	PC0617.....	153, 155	SE1208.....	29, 158	ST3691.....	47, 49
DL0880.....	49	PC0618.....	153	ST0099.....	34	ST3692.....	10
DL0881.....	47	PC0619.....	153	ST0120.....	34	ST3693.....	49
DL0882.....	73	PC0620.....	155	ST0178.....	34	ST3782.....	28
DL0883.....	73	PC0621.....	155	ST0179.....	34	ST3826.....	153, 155
DL0885.....	63	PC0622.....	153, 155	ST0736.....	63	ST3827.....	153, 155
DL0886.....	65	SA0020.....	67	ST0751.....	34	ST3830.....	153
DL0891.....	23	SA0113.....	34	ST0752.....	35	US0044.....	25
DL0892.....	34	SA0114.....	10	ST0828.....	35	US0134.....	73
DL0893.....	34	SA0115.....	85, 87	ST1326.....	77, 79	US0190.....	23
DL0894.....	34	SA0116.....	15	ST1327.....	77, 79	US0203.....	113
DL0895.....	34	SA0117.....	15	ST1969.....	137	US0204.....	113

PART NUMBER INDEX

US0208	113	US0465	35	US0530	15	US0579	49
US0236	63	US0469	73	US0531	15, 63	US0580	47, 49
US0375	39	US0475	37	US0570	63	US0581	47, 49
US0377	37	US0478	41	US0572	15	US0582	73
US0429	25	US0479	39	US0573	15	US0586	25
US0458	47, 49	US0490	47, 49	US0574	15	US0587	53
US0459	47, 49	US0492	47, 49	US0575	15	US0588	57, 59
US0460	41	US0529	15	US0578	65		



31210150



An Oshkosh Corporation Company

JLG Industries, Inc.
1 JLG Drive
McConnellsburg PA. 17233-9533
USA
Phone: +1-717-485-5161
Customer Support Toll Free: 1-877-554-5438
Fax: +1-717-485-6417

JLG Worldwide Locations

JLG Industries (Australia)
P.O. Box 5119
11 Bolwarra Road
Port Macquarie
N.S.W. 2444
Australia
Phone: +61 2 65 811111
Fax: +61 2 65 813058

JLG Latino Americana Ltda.
Rua Antonia Martins Luiz, 580
Distrito Industrial João Narezzi
13347-404 Indaiatuda-SP
Brazil
Phone: +55 19 3935 2767
Fax: +55 19 3935 2312

JLG Industries (UK) Ltd
Bentley House, Bentley Avenue
Middleton
Greater Manchester
M24 2GP
England
Phone: +44 161 654 1000
Fax: +44 161 654 1001

JLG France SAS
Z.I. Guillaume Mon amy
CS 30204
47400 FAUILLET
France
Phone: +33 (0) 553 883 170
Fax: +33 (0) 553 883 179

JLG Deutschland GmbH
Max Planck Strasse 21
D-27721 Ritterhude/lhlpohl
Germany
Phone: +49 (0) 421 69 350 20
Fax: +49 (0) 421 69 350 45

JLG Equipment Services Ltd
Rm 1107 Landmark North
39 Lung Sum Avenue
Sheung Shui N.T.
Hong Kong
Phone: +852 2639 5783
Fax: +852 2639 5797

JLG Industries (Italia)
Via Po. 22
20010 Pregnana Milanese - MI
Italy
Phone: +39 02 9359 5210
Fax: +39 02 9359 5845

JLG Europe B.V.
Polaris Avenue 62
2132 JH Hoofddorp
Netherlands
Phone: (31) 23 565 5665
Fax: (31) 23 557 2493

JLG Polska
Ul. Krolewska
00-060 Warszawa
Poland
Phone: +48 (0) 91 4320 245
Fax: +48 (0) 91 4358 200

JLG Industries (Scotland)
Wright Business Centre,
1 Lonmay Road
Queenslie
Glasgow G33 4EL
Scotland
Phone: +44 141 781 6700
Fax: +44 141 773 1907

Plataformas Elevadoras
JLG Iberica, S.L.
Trapadella, 2
P.I. Castellbisbal Sur
08755Castellbisbal, Barcelona
Spain
Phone: +34 93 77 24700
Fax: +34 93 77 11762

JLG Sverige AB
Enkopingsvagen 152
Box 704
SE - 176 27 Jarfalla
Sweden
Phone: (46) 8 506 59500
Fax: (46) 8 506 59534

www.jlg.com