



Illustrated Parts Manual Manuel de pièces détachées

MODEL / MODELE

TOUCAN 12E

**A300056115 TO A300059918 INCLUDING :
A300056047,48,83,85,86,87,91,92,111**

TOUCAN 32E

A300056657 TO A300059918



31210249
October 08, 2019
REV B



ANSI



An Oshkosh Corporation Company

FOREWORD

January 29, 2018 ----- Original issue of Manual
June 11, 2018 ----- Add TOUCAN 32E
January 28, 2019 ----- Update Cylinders, Hoods and Soft Touch
October 08, 2019 ----- B - Revised Manual - Update ANSI 92.20

TABLE OF CONTENTS

SECTION 1 - COVERS INSTALL / INSTALLATION CAPOTS	7
FIGURE 1-1. HOODS INSTALL / INSTALLATION CAPOTS	8
SECTION 2 - FRAME INSTALL / INSTALLATION CHASSIS	13
FIGURE 2-1. FRAME INSTALL / INSTALLATION CHASSIS	14
FIGURE 2-2. KTY-DRIVE GEAR MOTOR / KTY-MOTORÉDUCTEUR DE ROUE (Prior to SN A300057691)	18
FIGURE 2-3. PT1000-DRIVE GEAR MOTOR / PT1000-MOTORÉDUCTEUR DE ROUE (SN A300057691 to Present)	20
SECTION 3 - MAST 1 INSTALL / INSTALLATION MAT 1	23
FIGURE 3-1. MAST 1 INSTALL / INSTALLATION MAT 1	24
FIGURE 3-2. GEAR, REDUCER AND MOTOR / MOTO REDUCTEUR ASSEMBLE	26
FIGURE 3-3. INSTALL MTB / INSTALLATION COMMANDES BASSES	28
FIGURE 3-4. ELEC ASSY,GROUND CONTROL / FACADE BOÎTIER BAS	30
SECTION 4 - MASTS INSTALL / INSTALLATION MATS	33
FIGURE 4-1. MASTS INSTALL / INSTALLATION MATS	34
FIGURE 4-2. KIT,CHAINS / KIT CHAINES	38
FIGURE 4-3. PULLEY SUPPORT LL10-44 / SUPPORT POULIE LL10-44	40
FIGURE 4-4. PULLEY SUPPORT LL12-66 / SUPPORT POULIE LL12-66	42
FIGURE 4-5. PULLEY SUPPORT LH12-66 / SUPPORT POULIE LH12-66	44
FIGURE 4-6. MAST CYLINDER MANIFOLD / BLOC VERIN DE MAT	46
SECTION 5 - BOOM INSTALL / INSTALLATION BRAS	49
FIGURE 5-1. 12E,32E BOOM INSTALL / 12E,32E ASSEMBLAGE BRAS	50
FIGURE 5-2. 12E PLUS BOOM INSTALL / 12E PLUS ASSEMBLAGE BRAS	54
FIGURE 5-3. MANIFOLD JIB / BLOC BRAS	58
SECTION 6 - PLATFORM INSTALL / INSTALLATION PLATE-FORME	61
FIGURE 6-1. PLATFORM INSTALL WITH DROP BAR / INSTALLATION PLATE-FORME AVEC LISSE COULISSANTE	62
FIGURE 6-2. PLATFORM INSTALL WITH SALOON GATES / INSTALLATION PLATE-FORME AVEC PORTE SALOON (SN A300058355 to Present)	64
FIGURE 6-3. PLATFORM INSTALL W/O LSS SALOON GATES / INSTALLATION PLATE-FORME SANS SURCHARGE A PORTE SALOON (Prior to SN A300058355)	66
FIGURE 6-4. CONSOLE AND CONTAINER INSTALL / INSTALLATION BOITIER DE COMMANDE ET BOITE A OUTIL	68
FIGURE 6-5. PLATFORM CONSOLE ASSEMBLY / ASSEMBLAGE BOITIER HAUT	70
FIGURE 6-6. PLATFORM SUPPORT INSTALL / INSTALLATION SUPPORT PLATE-FORME	74
SECTION 7 - POWER TRACKS AND CLAMPS INSTALL / INSTALLATION CHAINES PORTE-CABLES	77
FIGURE 7-1. MAST POWER TRACK INSTALL / INSTALLATION CHAINES PORTE CABLES MAT	78
FIGURE 7-2. BOOM POWER TRACK INSTALL / INSTALLATION CHAINES PORTE CABLES BRAS	80
SECTION 8 - HYDRAULIC INSTALL / INSTALLATION HYDRAULIQUE	83
FIGURE 8-1. HYDRAULIC INSTALL / INSTALLATION HYDRAULIQUE	84
FIGURE 8-2. TANK AND PUMP INSTALL / INSTALLATION CENTRALE	86
FIGURE 8-3. PUMP,MOTOR-TANK ASSEMBLY / CENTRALE ASSEMBLEE	88
FIGURE 8-4. CONTROL VALVE / BLOC HYDRAULIQUE	90
FIGURE 8-5. MANIFOLD,TELESCOPE AND LEVELLING / BLOC TELESCOPE ET CORRECTION	92
SECTION 9 - ELECTRICAL SYSTEM INSTALL / INSTALLATION ELECTRIQUE	95
FIGURE 9-1. CABLES INSTALL DIAGRAM / DIAGRAMME D'INSTALLATION CABLES	96
FIGURE 9-2. KIT,POWER CABLES / KIT CABLES DE PUISSANCE	108
FIGURE 9-3. LIMIT SWITCHES AND COVERS / INSTALLATION CAPTEURS	110
FIGURE 9-4. CHARGER INSTALL / INSTALLATION CHARGEUR	114
FIGURE 9-5. FLOODED BATTERY (STANDARD) INSTALL / INSTALLATION BATTERIES A FLOTTEURS (STANDARD)	116
FIGURE 9-6. AGM/GEL BATTERY (OPTION) INSTALL / INSTALLATION BATTERIES AGM/GEL (OPTION)	118
FIGURE 9-7. WATER FILLING NETWORK KIT / KIT REMPLISSAGE CENTRALISE	120
SECTION 10 - DECALS INSTALL / INSTALLATION AUTOCOLLANTS	123

TABLE OF CONTENTS

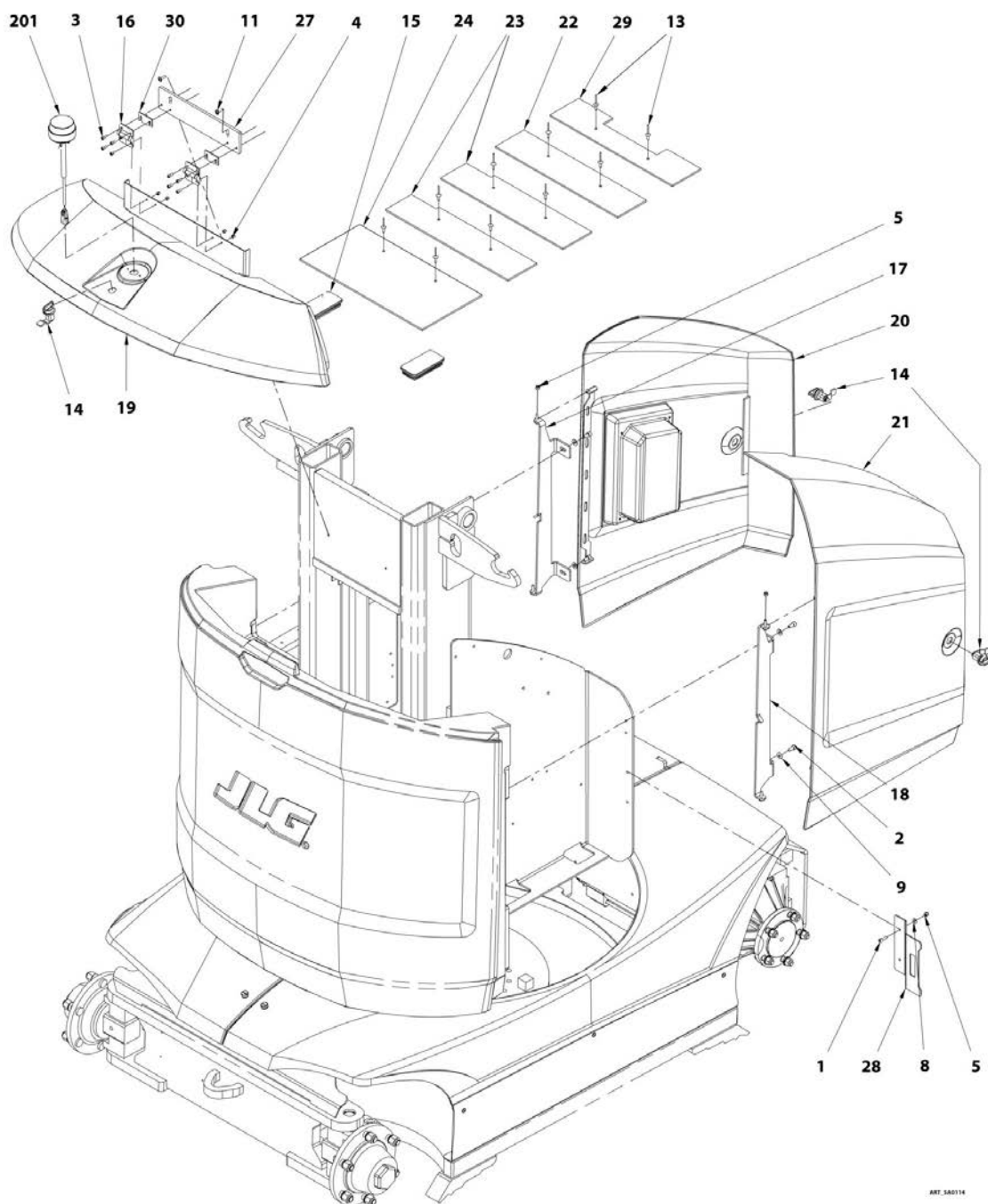
FIGURE 10-1. 32E DECALS - ANSI 92.5 / 32E - AUTOCOLLANTS - ANSI 92.5 (32E Prior to SN A300058355)	124
FIGURE 10-2. DECALS INSTALL - ALL MODELS / INSTALLATION AUTOCOLLANTS - TOUS	130
FIGURE 10-3. INSTALL,DECAL,EAC (RUSSIA,CIS) / INSTALLATION AUTOCOLLANTS EAS (RUSSIE,CIS)	138
SECTION 11 - OPTIONS / OPTIONS.....	141
FIGURE 11-1. PLATFORM WORK LIGTH INSTALL / INSTALLATION PHARE DE TRAVAIL	142
FIGURE 11-2. AIR LINE INSTALL / INSTALLATION AIR COMPRIE	144
FIGURE 11-3. 230V PLATFORM SOCKET INSTALL / INSTALLATION PRISE PLATEFORME 230V.....	146
FIGURE 11-4. 115V CEI 60309 YELLOW PLATFORM SOCKET INSTALL / PRISE 115 V (IEC 60309 JAUNE).....	148
FIGURE 11-5. 115V (GFI-US) PLATFORM SOCKET INSTALL / INSTALLATION PRISE PLATEFORME 115V (GFI-US).....	150
FIGURE 11-6. CYLINDER PROTECTION / PROTECTION VERIN ROTATION PLATE-FORME.....	152
FIGURE 11-7. PLATFORM W/ ROTATION OBSTACLE DETECTION / DETECTION OBSTACLE AVEC ROTATION PLATE-FORME	154
FIGURE 11-8. PLATFORM W/O ROTATION OBSTACLE DETECTION / DETECTION OBSTACLE SANS ROTATION PLATE-FORME	156
FIGURE 11-9. UCB PROTECTION / PROTECTION BOITIER HAUT	158
SECTION 12 - RECOMMENDED PARTS LIST / LISTE DE PIECES RECOMMANDEES.....	161
FIGURE 12-1. RECOMMENDED PARTS LIST / LISTE DES PIECES RECOMMANDEES	162
PART NUMBER INDEX.....	165

SECTION 1 - COVERS INSTALL / INSTALLATION CAPOTS

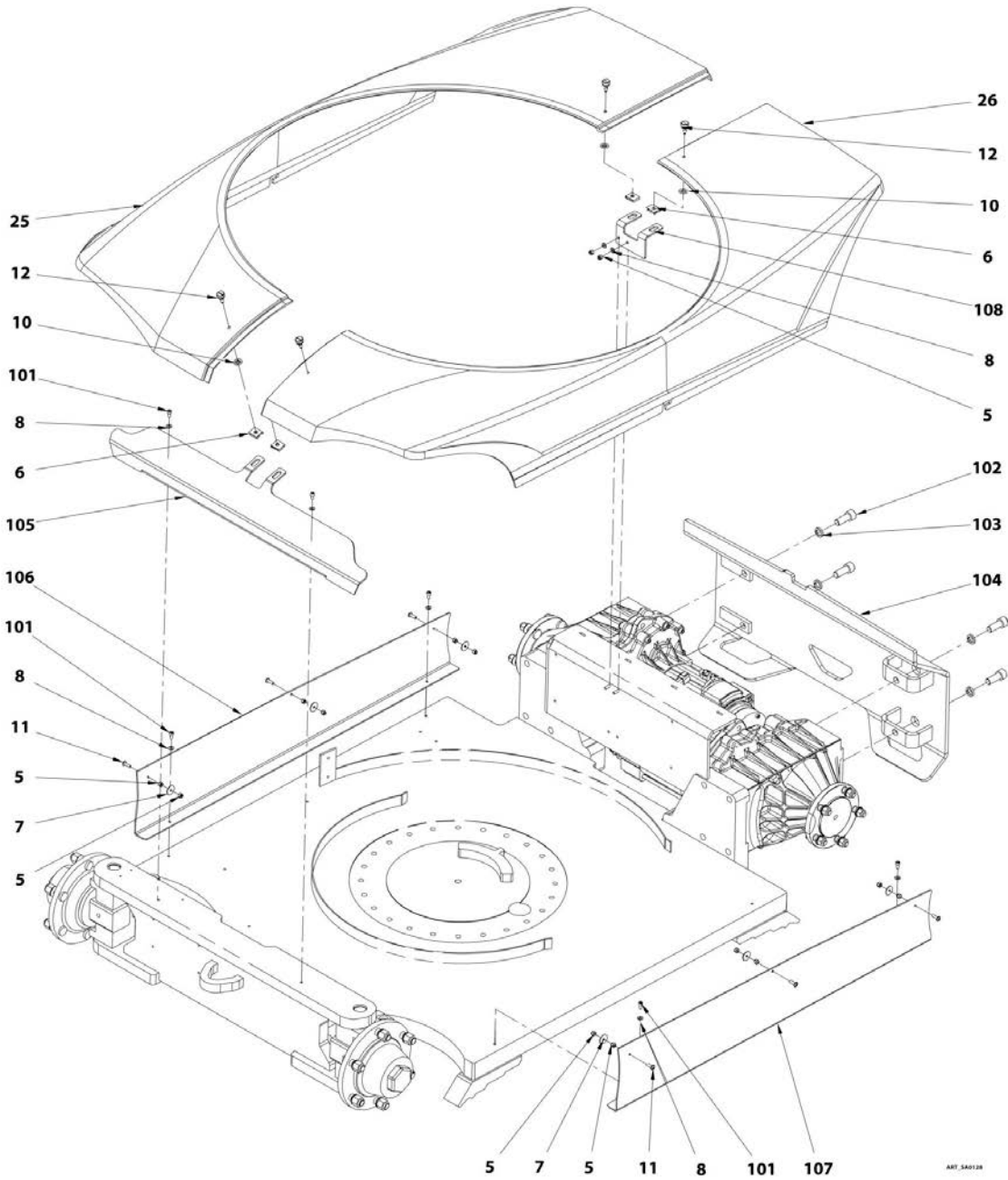
SECTION 1 - COVERS INSTALL / INSTALLATION CAPOTS

SECTION 1 - COVERS INSTALL / INSTALLATION CAPOTS

FIGURE 1-1. HOODS INSTALL / INSTALLATION CAPOTS



SECTION 1 - COVERS INSTALL / INSTALLATION CAPOTS



ART_540128

SECTION 1 - COVERS INSTALL / INSTALLATION CAPOTS

FIGURE 1-1. HOODS INSTALL / INSTALLATION CAPOTS

ITEM	PART NUMBER	QTY	DESCRIPTION	REV
		Ref	COVERS INSTALL; INFO - SP0962 / INSTALLATION CAPOTS; INFO - SP0962	C
0	SA0114	Ref	INSTALL, HOODS / INSTALLATION CAPOTS	
1	000005	1	M06x20 8.8 SOCKET HEAD MACH SCREW / VIS CHC M06x20 8.8 BI FT	
2	000018	4	M08x16 8.8 SOCKET HEAD MACH SCREW / VIS CHC M08x16 8.8 BI FT	
3	000067	8	M05x12 8.8 SOCKET HEAD MACH SCREW / VIS CHC M05x12 8.8 BI FT	
4	110002	4	M05 GR08 LOCK NUT / ECROU FREIN M5 CL08 BI	
5	110003	15	M06 GR08 LOCK NUT / ECROU FREIN M6 CL08 BI	
6	110040	4	D8 CAGE HEX NUT / ECROU CAGE D8	
7	120004	6	dD 06x25 WASHER / RONDELLE dD 06x25x1.2 BI	
8	120009	1	dD 06x14 LOCK WASHER / RONDELLE CONTACT dD 06x14 BI	
9	120010	4	dD 08x18 LOCK WASHER / RONDELLE CONTACT dD 08x18 BI	
10	120057	4	D8 RETAINING WASHER / RONDELLE DE RETENUE D8	
11	130021	8	M06x20 8.8 ROUND HEAD MACH SCREW / VIS BOMBEE ULF M06x20 8.8 BI FT	
12	130064	4	D8 FAST-LEAD THREAD SCREW / VIS D8 PAS RAPIDE TETE LARGE	
13	180009	10	Ø5x16 LARGE HEAD POP RIVET / RIVET POP TETE LARGE Ø5x16	
14	190072	3	COMPRESSION LATCH / LOQUET A COMPRESSION	
15	400057	2	CAP / EMBOUT NOIR	
16	190074	2	FRICTION HINGE / CHARNIERE A FRICTION	
17	DL0905	1	SUPPORT, RIGHT MAST HOOD / SUPPORT CAPOT DROIT MATS	
18	DL0906	1	SUPPORT, LEFT MAST HOOD / SUPPORT CAPOT GAUCHE MATS	
19	SD0748	1	HOOD, BATTERIES / CAPOT BATTERIES	
20	SD0749	1	HOOD, MAST RIGHT / CAPOT DROIT MATS	
21	SD0750	1	HOOD, MAST LEFT / CAPOT GAUCHE MATS	
22	ST3636	1	COVER, MAST / COUVRE MAT	
23	ST3637	2	COVER, MAST WITH CUT / COUVRE MAT AVEC DECOUPE	
24	ST3638	1	COVER, MAST 1 / COUVRE MAT 1	
25	ST3664	1	HOOD, FRAME RIGHT / CAPOT CHASSIS DROIT (Prior to SN A300057461)	
25	1001248662	1	HOOD, FRAME RIGHT MAP / CAPOT CHASSIS DROIT MAP (SN A300057461 to Present)	
26	ST3665	1	HOOD, FRAME LEFT / CAPOT CHASSIS GAUCHE (Prior to SN A300057461)	
26	1001248663	1	HOOD, FRAME LEFT MAP / CAPOT CHASSIS GAUCHE MAP (SN A300057461 to Present)	
27	ST3667	1	PLATE, BATTERIES HOOD SUPPORT / TOLE SUPPORT CAPOT BATTERIES	
28	ST3668	1	PLATE, LEFT HOOD LOCK / TOLE VERROU CAPOT GAUCHE	
29	ST3669	1	COVER, MAST 6 / COUVRE MAT 6	
30	ST3692	AR	SHIM, HINGE / CALE DE CHARNIERE	
100	SA0128	Ref	INSTALL, FRAME SHIELDS / INSTALLATION TOLES DE CHASSIS	
5	110003	2	M06 GR08 LOCK NUT / ECROU FREIN M6 CL08 BI	

SECTION 1 - COVERS INSTALL / INSTALLATION CAPOTS

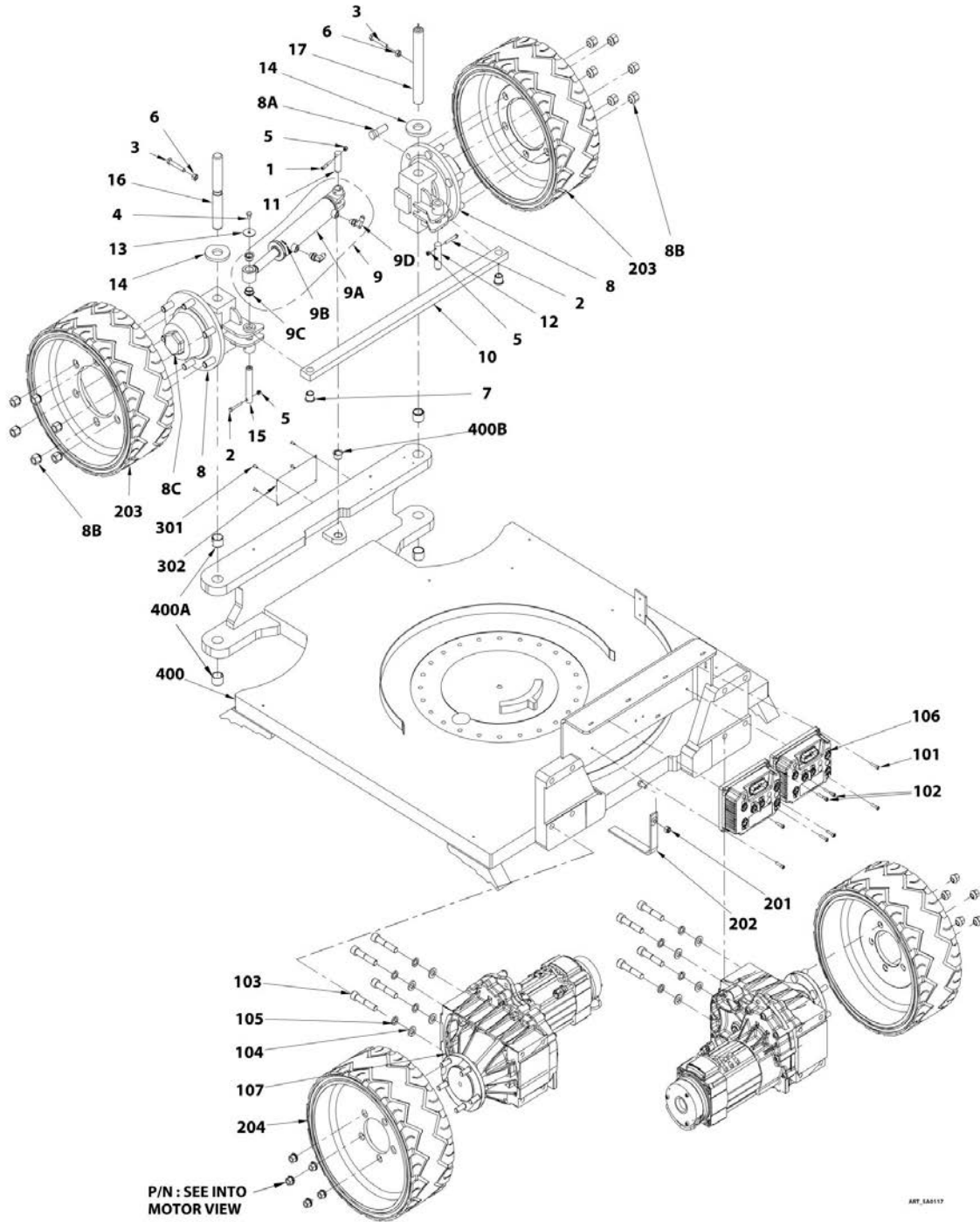
ITEM	PART NUMBER	QTY	DESCRIPTION	REV
8	120009	8	dD 06x14 LOCK WASHER / RONDELLE CONTACT dD 06x14 BI	
101	000014	6	M06x12 8.8 SOCKET HEAD MACH SCREW / VIS CHC M06x12 8.8 BI FT	
102	000049	4	M16x40 8.8 SOCKET HEAD MACH SCREW / VIS CHC M16x40 8.8 BI FT	
103	120061	4	HELICAL SPRING LOCK WASHER Ø16 / RONDELLE GROWER Ø16 BI	
104	DL0899	1	SHIELD, REAR FRAME / TOLE ARRIERE CHASSIS	
105	ST3641	1	SHIELD, FRONT FRAME / TOLE AVANT CHASSIS	
106	ST3651	1	SHIELD, RIGHT FRAME / TOLE DROITE CHASSIS	
107	ST3652	1	SHIELD, LEFT FRAME / TOLE GAUCHE CHASSIS	
108	ST3666	1	SUPPORT, FRAME HOODS / SUPPORT CAPOTS CHASSIS	
200	SA0138	Ref	INSTALL, STROBE, AMBER / INSTALLATION FEU A ECLATS	B
201	PC0534	1	HARNES, BEACON / FAISCEAU FEU A ECLATS	

SECTION 2 - FRAME INSTALL / INSTALLATION CHASSIS

SECTION 2 - FRAME INSTALL / INSTALLATION CHASSIS

SECTION 2 - FRAME INSTALL / INSTALLATION CHASSIS

FIGURE 2-1. FRAME INSTALL / INSTALLATION CHASSIS



SECTION 2 - FRAME INSTALL / INSTALLATION CHASSIS

FIGURE 2-1. FRAME INSTALL / INSTALLATION CHASSIS

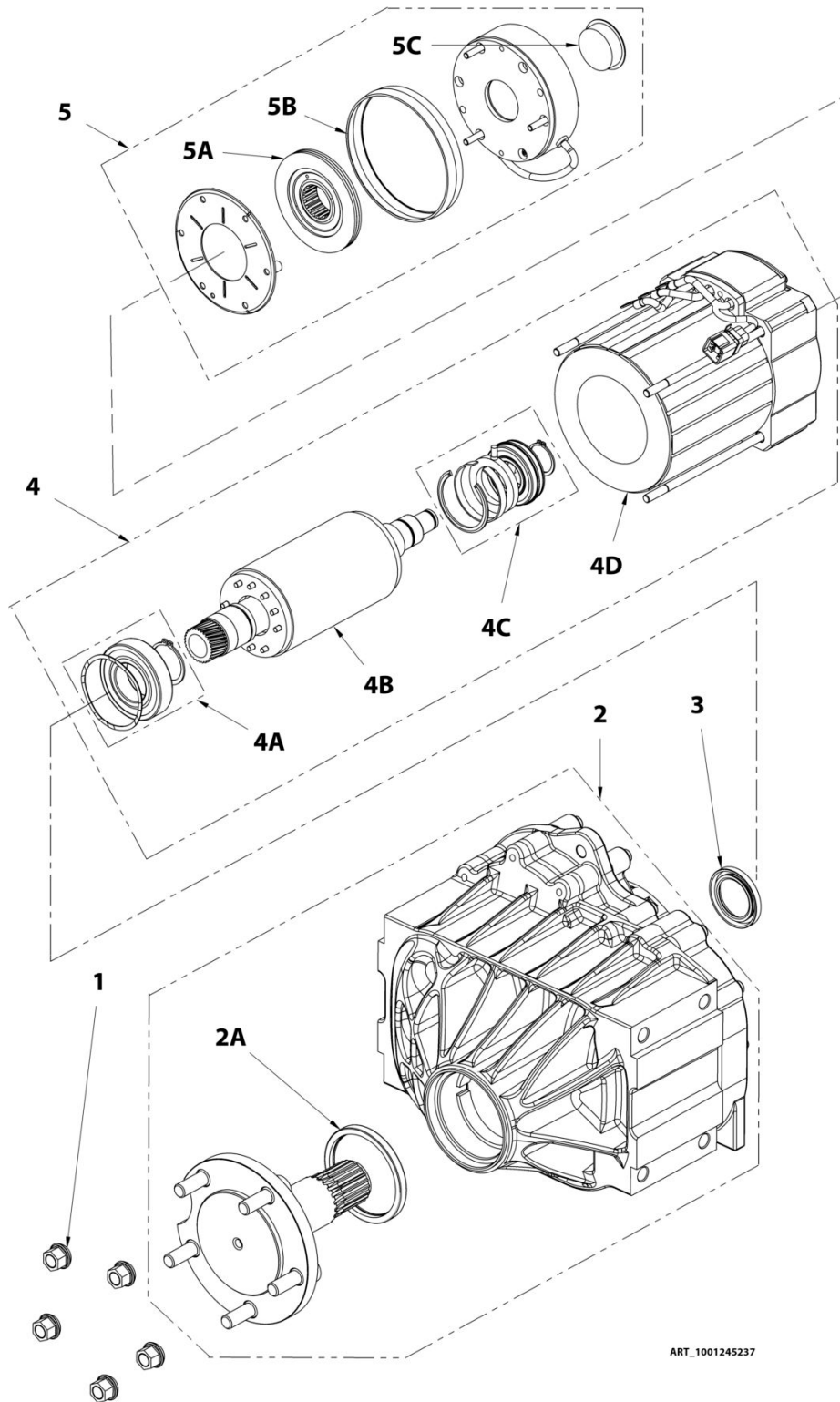
ITEM	PART NUMBER	QTY	DESCRIPTION	REV
		Ref	FRAME INSTALL; INFO - SP0963 / INSTALLATION CHASSIS; INFO - SP0963	
0	SA0117	Ref	INSTALL, STEER / INSTALLATION DIRECTION	
1	000017	1	M06x40 8.8 SOCKET HEAD MACH SCREW / VIS CHC M06x40 8.8 BI FT	
2	100004	2	M06x45 8.8 HEX HEAD MACHINE SCREW / VIS H M06x45 8.8 BI FT	
3	100039	2	M10x60 8.8 HEX HEAD MACHINE SCREW / VIS H M10x60 8.8 BI FT	
4	100053	1	M08x12 8.8 HEX HEAD MACHINE SCREW / VIS H M08x12 8.8 BI FT	
5	110003	3	M06 GR08 LOCK NUT / ECROU FREIN M6 CL08 BI	
6	110008	2	M10 GR08 HEX NUT / ECROU H M10 CL08 BI	
7	150059	2	FLANGE BUSHING Ø20 H21.5 DU / BAGUE EPAULEE Ø20 H21.5 DU	
8	DL0897	2	SPINDLE / PIVOT DE DIRECTION	
8A	920061	AR	STUD M18x150 50/40 / GOUJON M18x150 50/40	
8B	920065	AR	M18x150 NUT / ECROU H M18x150	
8C	920083	AR	CAP,M73.5X150 ZINC PLATED / ECROU BOUCHON M73.5x150 ZINGUE	
9	SE1159	1	CYLINDER, STEERING EQUIPPED / VERIN DE DIRECTION ASSEMBLE	
9A	ST3527	1	STEERING CYLINDER / VERIN DE DIRECTION	
9B	960101	1	SEAL KIT ST3527 / KIT DE JOINT ST3527	
9C	150004	2	FLANGE BUSHING Ø20 H11.5 DU / BAGUE EPAULEE Ø20 H11.5 DU	
9D	300001	2	90° ELBOW MALE BSPP 1/4-MALE JIC 9/16 / COUDE 90° Male BSPP 1/4 -Male JIC 9/16	
10	ST3563	1	LINK, STEERING / BIELLETTE DE DIRECTION	
11	US0529	1	PIN, ARTICULATION D20-60 / AXE D20-60	
12	US0530	1	PIN, ARTICULATION D20-80 / AXE D20-80	
13	US0531	1	WASHER, ID8xOD37xTH3 / RONDELLE Di 8xDe 37xEP 3	
14	US0572	2	WHASHER, PAD d31 d75 h8 / RONDELLE D'APPUI d31 d75 h8	
15	US0573	1	PIN, ARTICULATION / AXE DE DIRECTION	
16	US0574	1	PIN, SPINDLE PIVOT / AXE FUSEE	
17	US0575	1	PIN, ROTARY ANGLE SENSOR / AXE DIRECTION POUR CAPTEUR D'ANGLE	
100	SA0116	Ref	INSTALL, WHEEL DRIVE / INSTALLATION TRANSLATION	B
101	000008	6	M06x25 8.8 SOCKET HEAD MACH SCREW / VIS CHC M06x25 8.8 BI FT	
102	000077	2	M06x35 8.8 SOCKET HEAD CAPSCREW / VIS CHC M06x35 8.8 BI FP	
103	000096	8	M16x80 10.9 SOCKET HEAD CAPSCREW / VIS CHC MM16x80 10.9 BI FP	
104	120001	8	M16 WASHER / RONDELLE M16 BI	
105	120061	8	HELICAL SPRING LOCK WASHER Ø16 / RONDELLE GROWER Ø16 BI	
106	260331	2	CONTROLLER, COMBI-ACO / VARIATEUR COMBI-ACO	
107	510091	2	KTY-DRIVE GEAR MOTOR / KTY-MOTOREDUCTEUR DE ROUE (Prior to SN A300057691)	

SECTION 2 - FRAME INSTALL / INSTALLATION CHASSIS

ITEM	PART NUMBER	QTY	DESCRIPTION	REV
107	1001245237	1	PT1000-DRIVE GEAR MOTOR / PT1000-MOTOREDUCTEUR DE ROUE (SN A300057691 to Present)	
200	SA0118	Ref	INSTALL, TIRES AND WHEEL / INSTALLATION ROUES	
201	110005	1	M10 GR08 LOCK NUT / ECROU FREIN M10 CL08 BI	
202	4240147	1	STRAP, ANTI-STATIC 13" / TRESSE ANTI-STATIQUE 13"	
203	ST3495	2	WHEEL/TYRE, d457x178 - STEERING / ROUE DIRECTION D457x178	
204	ST3496	2	WHEEL/TYRE, d457x178 - DRIVE / ROUE MOTRICE D457x178	
300	SA0144	Ref	INSTALL, 12E NAME PLATE / 12E - INST. PLAQUE CONSTRUCTEUR	B
300	SA0145	Ref	INSTALL 32E - ANSI 92.5 - NAME PLATE / 32E - ANSI92.5 - INST. PLAQUE CONSTRUCTEUR (Prior to SN A300058355)	
300	1001223689	Ref	INSTALL 32E - ANSI92.20 - NAME PLATE / 32E - ANSI92.20 - INST. PLAQUE CONSTRUCTEUR (SN A300058355 to Present)	
301	180003	4	Ø5x10 POP RIVET / RIVET POP Ø5x10	
302		Ref	MANUFACTURER'S PLATE / PLAQUE CONSTRUCTEUR	
400	DL0898	1	FRAME / CHASSIS	
400A	150019	4	BUSHING Ø30 H25 DU / BAGUE Ø30 H25 DU	
400B	150058	1	FLANGE BUSHING Ø20 H16.5 / BAGUE EPAULEE Ø20 H16.5	

SECTION 2 - FRAME INSTALL / INSTALLATION CHASSIS

FIGURE 2-2. KTY-DRIVE GEAR MOTOR / KTY-MOTORÉDUCTEUR DE ROUE (Prior to SN A300057691)



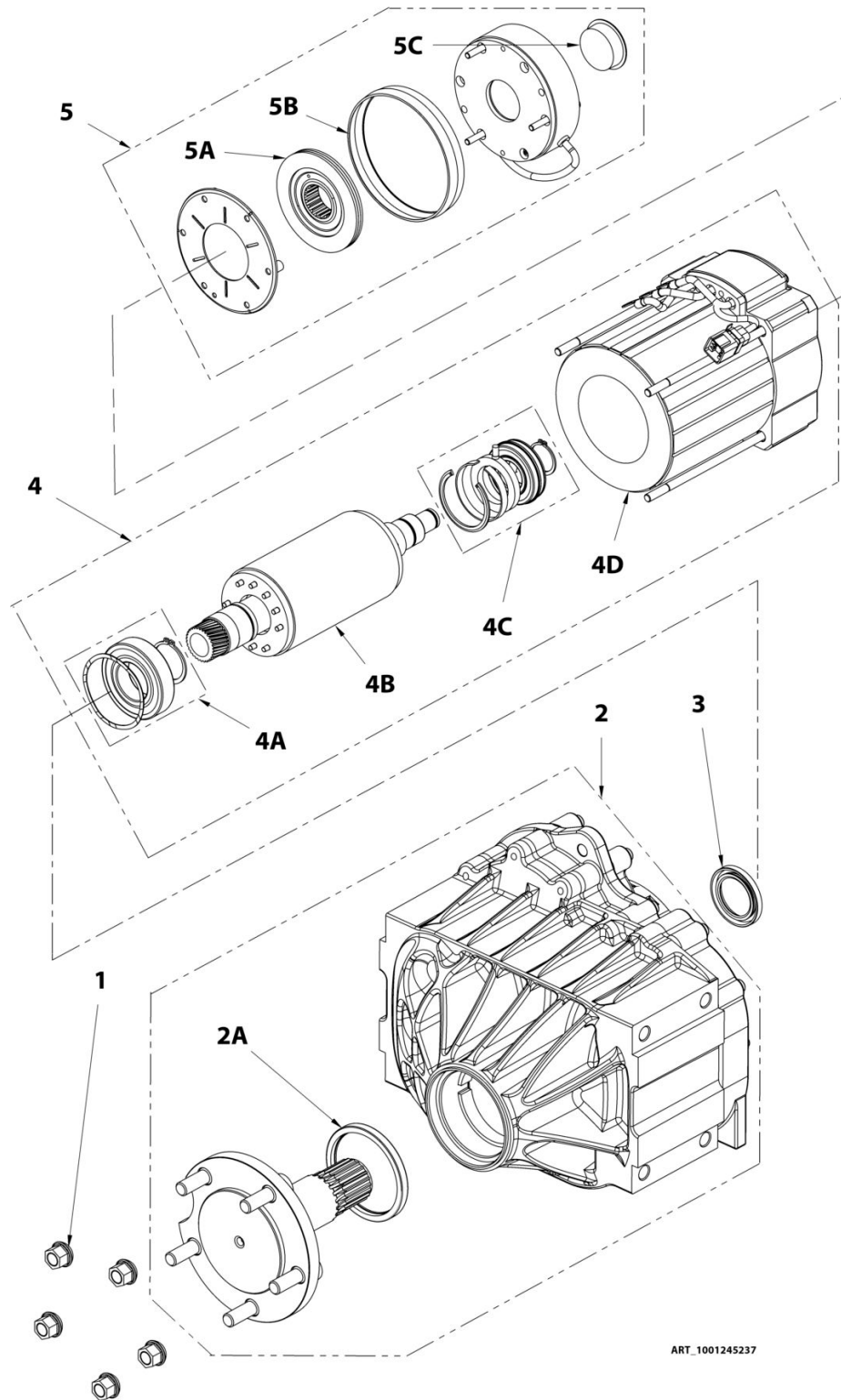
SECTION 2 - FRAME INSTALL / INSTALLATION CHASSIS

FIGURE 2-2. KTY-DRIVE GEAR MOTOR / KTY-MOTORÉDUCTEUR DE ROUE (Prior to SN A300057691)

ITEM	PART NUMBER	QTY	DESCRIPTION	REV
	510091		KTY-DRIVE GEAR MOTOR / KTY-MOTORÉDUCTEUR DE ROUE (Including A300056711)	
1	952156	5	NUT, DIN74361 FORM A, M14x1.5 / ECROU M14x1,5 - DIN74361 (A)	
2	951044	1	GEARBOX, TDH440 / RÉDUCTEUR, TDH440	
2A	1001257401	1	SEAL,RADIAL 85x100x9 / JOINT A LEVRE 85x100x9	
3	952147	1	SEAL, MOTOR, TDH440 / JOINT MOTEUR, TDH440	
4	952153	1	KTY-MOTOR, 2KW, 28VAC / KTY-MOTEUR, 2KW, 28VAC	
4A	952148	1	KIT, FRONT BEARING TDH440 / KIT ROULEMENT AVANT, TDH440	
4B	952151	1	MOTOR, ROTOR, TDH440 / ROTOR MOTEUR, TDH440	
4C	952152	1	KIT, MOTOR, SENSOR, TDH440 / KIT, CODEUR MOTEUR, TDH440	
4D	952145	1	KTY-MOTOR, STATOR, TDH440 / KTY-STATOR MOTEUR, TDH440	
5	952154	1	KIT, BRAKE, TDH440 / KIT FREIN, TDH440	
5A	952144	1	BRAKE, DISK, TDH440 / DISQUE DE FREIN, TDH440	
5B	952155	1	COVER, DUST PROTECTION / CACHE POUSSIÈRE	
5C	952146	1	PLUG, BRAKE COVER / BOUCHON, FREIN	

SECTION 2 - FRAME INSTALL / INSTALLATION CHASSIS

FIGURE 2-3. PT1000-DRIVE GEAR MOTOR / PT1000-MOTORÉDUCTEUR DE ROUE (SN A300057691 to Present)



SECTION 2 - FRAME INSTALL / INSTALLATION CHASSIS

FIGURE 2-3. PT1000-DRIVE GEAR MOTOR / PT1000-MOTORÉDUCTEUR DE ROUE (SN A300057691 to Present)

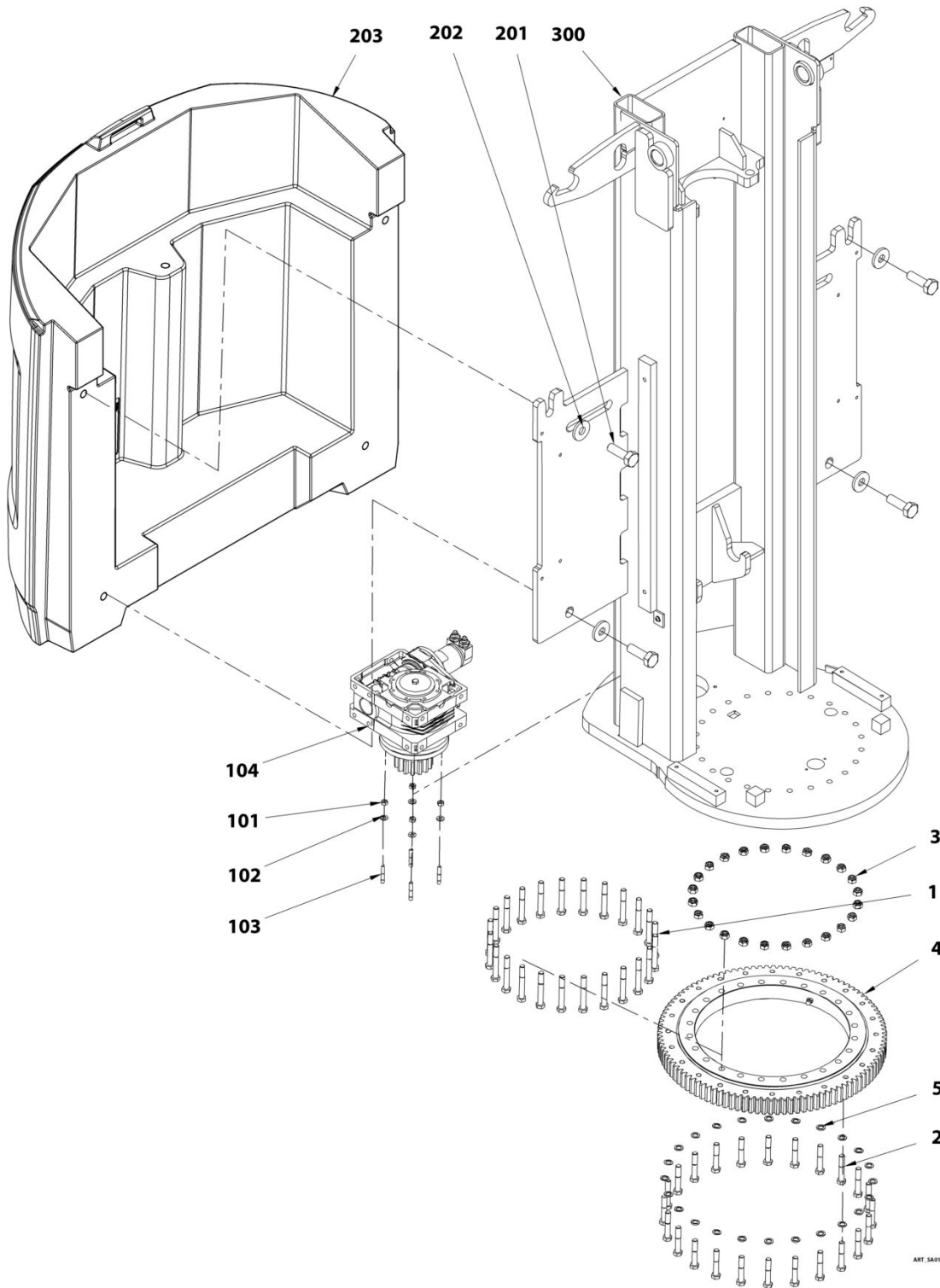
ITEM	PART NUMBER	QTY	DESCRIPTION	REV
	1001245237		PT1000-DRIVE GEAR MOTOR / PT1000-MOTORÉDUCTEUR DE ROUE (Including A300058122)	
1	952156	5	NUT, DIN74361 FORM A, M14x1.5 / ECROU M14x1,5 - DIN74361 (A)	
2	951044	1	GEARBOX, TDH440 / RÉDUCTEUR, TDH440	
2A	1001257401	1	SEAL,RADIAL 85x100x9 / JOINT A LEVRE 85x100x9	
3	952147	1	SEAL, MOTOR, TDH440 / JOINT MOTEUR, TDH440	
4	1001246579	1	PT1000-MOTOR, 2KW, 28VAC / PT1000-MOTEUR, 2KW, 28VAC	
4A	952148	1	KIT, FRONT BEARING TDH440 / KIT ROULEMENT AVANT, TDH440	
4B	952151	1	MOTOR, ROTOR, TDH440 / ROTOR MOTEUR, TDH440	
4C	952152	1	KIT, MOTOR, SENSOR, TDH440 / KIT, CODEUR MOTEUR, TDH440	
4D	1001246580	1	PT1000-MOTOR, STATOR, TDH440 / PT1000-STATOR MOTEUR, TDH440	
5	952154	1	KIT, BRAKE, TDH440 / KIT FREIN, TDH440	
5A	952144	1	BRAKE, DISK, TDH440 / DISQUE DE FREIN, TDH440	
5B	952155	1	COVER, DUST PROTECTION / CACHE POUSSIÈRE	
5C	952146	1	PLUG, BRAKE COVER / BOUCHON, FREIN	

SECTION 3 - MAST 1 INSTALL / INSTALLATION MAT 1

SECTION 3 - MAST 1 INSTALL / INSTALLATION MAT 1

SECTION 3 - MAST 1 INSTALL / INSTALLATION MAT 1

FIGURE 3-1. MAST 1 INSTALL / INSTALLATION MAT 1



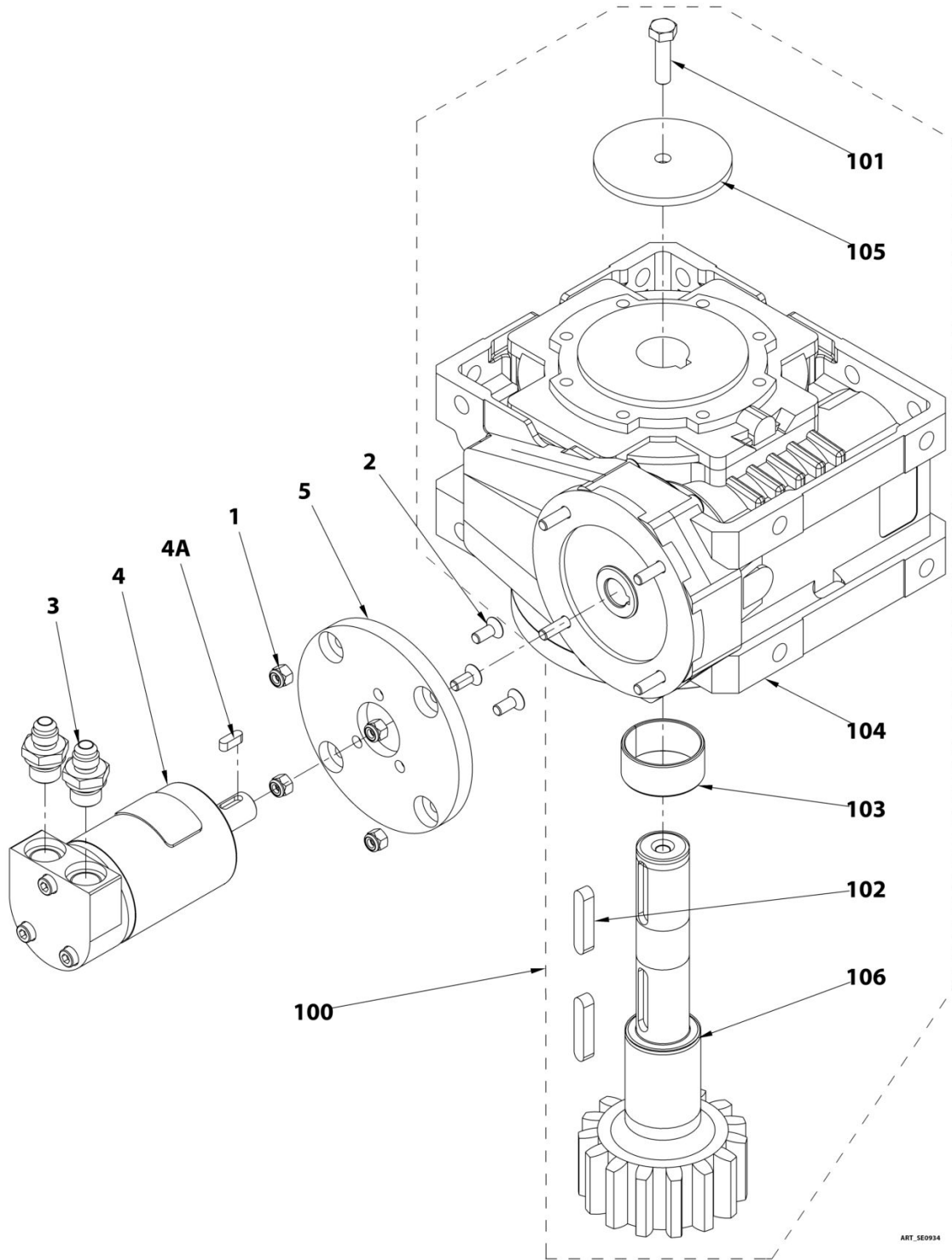
SECTION 3 - MAST 1 INSTALL / INSTALLATION MAT 1

FIGURE 3-1. MAST 1 INSTALL / INSTALLATION MAT 1

ITEM	PART NUMBER	QTY	DESCRIPTION	REV
		Ref	INSTALL, MAST 1; INFO - SP0964 / INSTALLATION MAT 1; INFO - SP0964	
0	SA0120	Ref	INSTALL, TURNTABLE BEARING / INSTALLATION COURONNE D'ORIENTATION	
1	100038	24	M12x90 10.9 HEX HEAD CAPSCREW / VIS H M12x90 10.9 BR FP	
2	100103	24	M12x70 10.9 HEX HEAD CAPSCREW / VIS H M12x70 10.9 BR FP	
3	110017	24	M12 GR10 LOCK NUT / ECROU FREIN H M12 CL10 BI	
4	500044	1	SLEWING RING / COURONNE D'ORIENTATION	
5	US0190	24	dDH 13x20x02 HARDENED WASHER / RONDELLE TRAITEE dDH 13x20x02	
100	SA0119	Ref	INSTALL, SWING DRIVE / INSTALLATION ORIENTATION	C
101	110016	4	M08 GR08 HEX NUT / ECROU H M08 CL08 BI	
102	120010	4	dD 08x18 LOCK WASHER / RONDELLE CONTACT dD 08x18 BI	
103	130034	4	M08x40 8.8 STUD / GOUGEON M08x40 BR 8.8	
104	SE0934	1	GEAR, REDUCER AND MOTOR; INFO - SE0934 / MOTOREDUCTEUR ASSEMBLE; INFO - SE0934	
200	SA0129	Ref	INSTALL, COUNTERWEIGHT 12E (1395 kg) / INSTALLATION CONTREPOIDS 12E (1395 kg)	B
200	1001225356	Ref	INSTALL,COUNTERWEIGHT 12E+ (1970kg) / INSTALLATION CONTREPOIDS 12E+ (1970 kg)	B
200	1001225357	Ref	INSTALL,COUNTERWEIGHT 32E / INSTALLATION CONTREPOIDS 32E	B
201	1001227894	4	M20x60 8.8 HEX. HEAD MACH. SCREW / VIS H 20x60 8.8 BI FT	
202	ST2475	4	COUNTERWEIGHT WASHER / RONDELLE DE CONTREPOIDS	
203	ST3655	1	COUNTERWEIGHT 12E / CONTREPOIDS 12E	
203	1001225354	1	COUNTERWEIGHT,12E+ / CONTREPOIDS 12E+	
203	ST3655	1	COUNTERWEIGHT,32E ANSI 92.5 / CONTREPOIDS 32E ANSI 92.5 (Prior to SN A300058355)	
203	1001225355	1	COUNTERWEIGHT,32E ANSI 92.20 / CONTREPOIDS 32E ANSI 92.20 (SN A300058355 to Present)	
300	1001225538	1	MAST,TURNTABLE / MAT 1	

SECTION 3 - MAST 1 INSTALL / INSTALLATION MAT 1

FIGURE 3-2. GEAR, REDUCER AND MOTOR / MOTO REDUCTEUR ASSEMBLE



ART. 560934

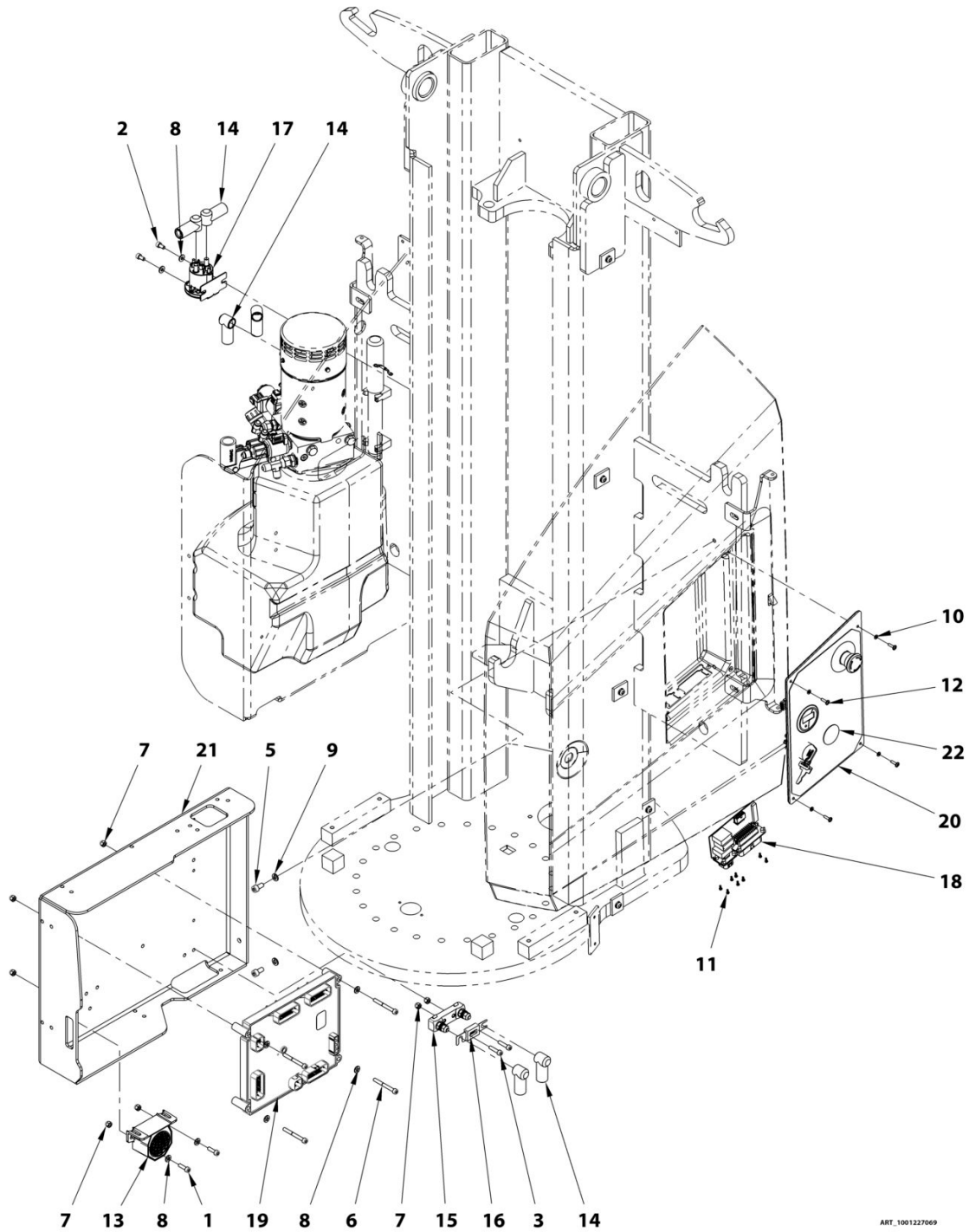
SECTION 3 - MAST 1 INSTALL / INSTALLATION MAT 1

FIGURE 3-2. GEAR, REDUCER AND MOTOR / MOTO REDUCTEUR ASSEMBLE

ITEM	PART NUMBER	QTY	DESCRIPTION	REV
	SE0934		GEAR, REDUCER AND MOTOR / MOTOREDUCTEUR ASSEMBLE	B
1	110003	4	M06 GR08 LOCK NUT / ECROU FREIN M6 CL08 BI	
2	130003	3	M06x16 10.9 COUNTERSUNK HEAD M. S. / VIS FHC M06x16 10.9 BI FT	
3	300040	2	FITTING MALE BSPP3/8 MALE JIC9/16 / RACCORD MALE BSPP3/8 MALE JIC9/16	
4	320071	1	SLEWING MOTOR / MOTEUR D'ORIENTATION	
4A	140026	1	A KEY 5x5x15 / CLAVETTE FORME A 5x5x15	
5	US0044	1	MOTOR ADAPTOR FLANGE / FLASQUE MOTEUR	
100	KT0157	1	GEAR ASSEMBLY / ASSEMBLAGE REDUCTEUR	B
101	100008	1	M08x30 8.8 HEX HEAD MACHINE SCREW / VIS H M08x30 8.8 BI FT	
102	140016	2	A KEY 8x7x40 / CLAVETTE FORME A 8x7x40	
103	150009	1	BUSHING D40 H20 / BAGUE D40 H20	
104	500045	1	GEAR, REDUCER W75 / REDUCTEUR W75	
105	US0429	1	dDh 8.5x73x5 WASHER / RONDELLE dDh 8.5x73x5	
106	US0586	1	SHAFT, REDUCER / PIGNON	

SECTION 3 - MAST 1 INSTALL / INSTALLATION MAT 1

FIGURE 3-3. INSTALL MTB / INSTALLATION COMMANDES BASSES



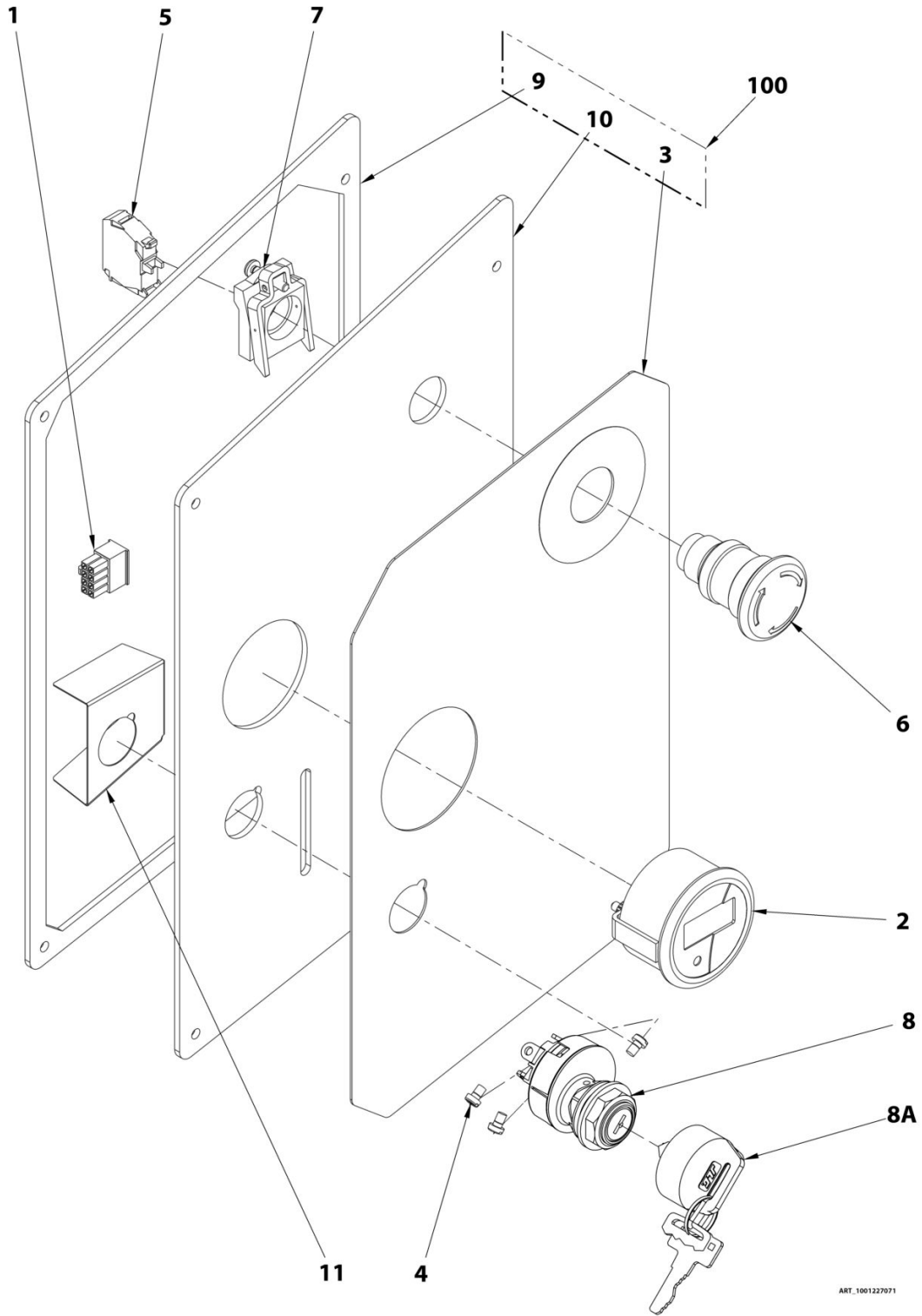
SECTION 3 - MAST 1 INSTALL / INSTALLATION MAT 1

FIGURE 3-3. INSTALL MTB / INSTALLATION COMMANDES BASSES

ITEM	PART NUMBER	QTY	DESCRIPTION	REV
	1001227069	Ref	12E-INSTALL,MTB WITH MSSO / 12E-INSTALLATION COMMANDES BASSES AVEC MSSO	
	1001227070	Ref	32E-INSTALL,MTB (W/O MSSO) / 32E-INSTALLATION COMMANDES BASSES SANS MSSO	
1	000005	2	M06x20 8.8 SOCKET HEAD MACH SCREW / VIS CHC M06x20 8.8 BI FT	
2	000014	2	M06x12 8.8 SOCKET HEAD MACH SCREW / VIS CHC M06x12 8.8 BI FT	
3	000008	2	M06x25 8.8 SOCKET HEAD MACH SCREW / VIS CHC M06x25 8.8 BI FT	
5	000018	2	M08x16 8.8 SOCKET HEAD MACH SCREW / VIS CHC M08x16 8.8 BI FT	
6	000073	4	M06x55 8.8 SOCKET HEAD CAPSCREW / VIS CHC M06x55 8.8 BI FP	
7	110003	8	M06 GR08 LOCK NUT / ECROU FREIN M6 CL08 BI	
8	120009	8	dD 06x14 LOCK WASHER / RONDELLE CONTACT dD 06x14 BI	
9	120021	2	HELICAL SPRING LOCK WASHER Ø8 / RONDELLE GROWER Ø8 BI	
10	120033	4	M4 PLASTIC WASHER / RONDELLE PLASTIQUE M4	
11	1001210948	8	SCREW,TORX D3xL8 FOR THERMOPLASTIC / VIS TORX D3xL8 POUR THERMOPLASTIQUE	
12	130062	4	M04x16 8.8 ROUND HEAD MACH SCREW / VIS BOMBEE ULF M04x16 8.8 BI FT	
13	0140043	1	ALARM, MOTION/DESCENT/HORN / ALARME MOUVEMENTS ET KLAXON	
14	250031	6	TERMINAL BOOT / CAPUCHON D'ETANCHEITE	
15	260077	1	POWER FUSE HOLDER / PORTE FUSIBLE DE PUISSANCE	
16	260115	1	250 A FUSE / FUSIBLE 250 A	
17	1001151762	1	RELAY, 48V / RELAIS 48V	
18	1001187632	1	PC BRD,INTERFACE / CARTE ELECTRONIQUE INTERFACE	
19	1001152628	1	PC-BRD, DE-POP UGM / CARTE ELECTRONIQUE UGM	
20	SE1203	1	ANSI 92.5 - ELEC ASSY,GROUND CONTROL / ANSI 92.5 - FACADE BOITIER BAS (32E Prior to SN A300058355)	
20	1001227071	1	ANSI 92.20 - ELEC ASSY,GROUND CONTROL / ANSI 92.20 - FACADE BOITIER BAS (32E SN A300058355 to Present)	
20	1001227071	1	12E - ELEC ASSY,GROUND CONTROL / 12E - FACADE BOITIER BAS	
21	ST3648	1	PLATE, UGM MOUNT / SUPPORT CARTE UGM	
22	AU2228	1	32E-DECAL,INDICATOR COVER D42 / 32E-AUTOCOLLANT MASQUE D42	

SECTION 3 - MAST 1 INSTALL / INSTALLATION MAT 1

FIGURE 3-4. ELEC ASSY,GROUND CONTROL / FACADE BOÎTIER BAS



SECTION 3 - MAST 1 INSTALL / INSTALLATION MAT 1

FIGURE 3-4. ELEC ASSY,GROUND CONTROL / FACADE BOÎTIER BAS

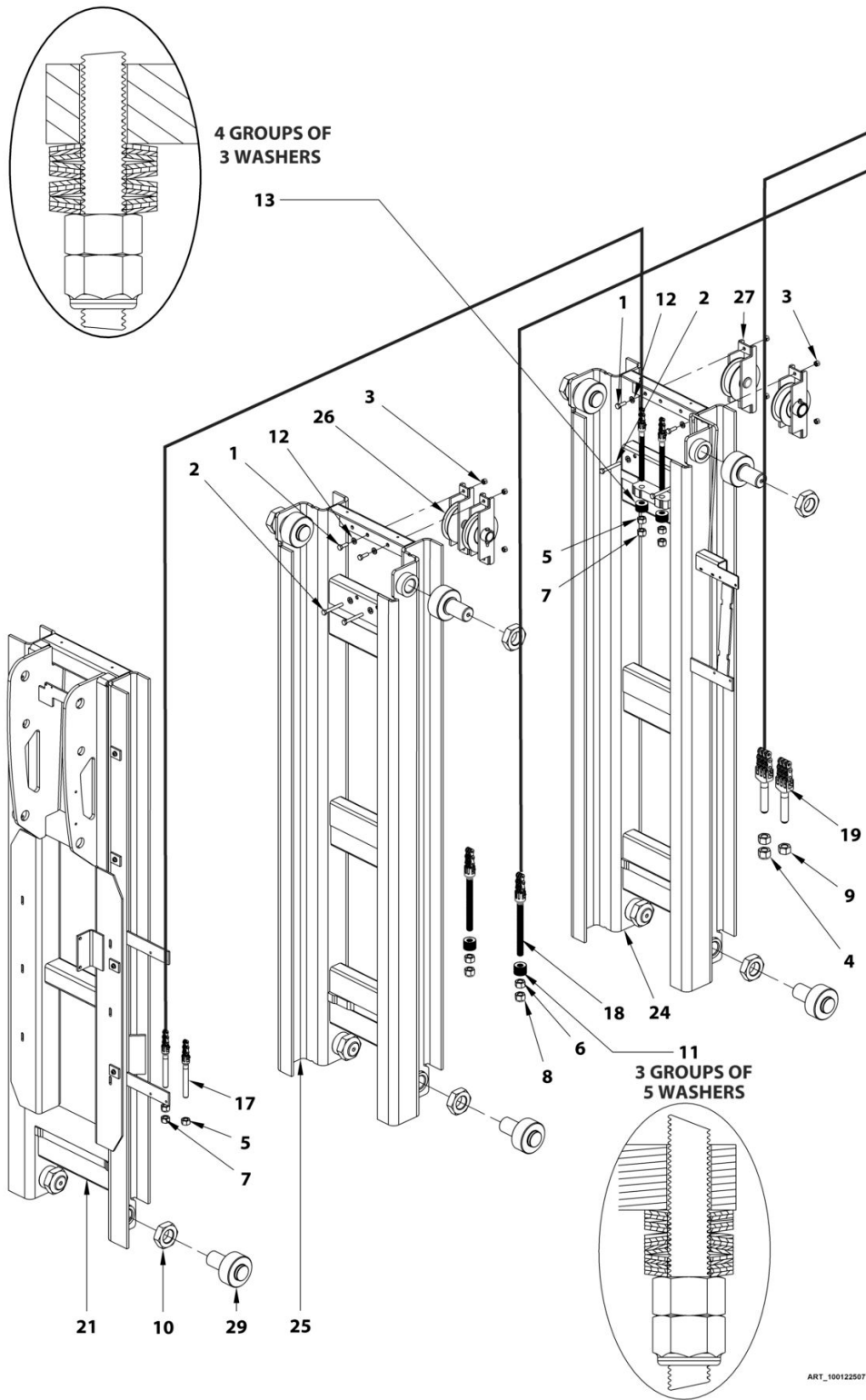
ITEM	PART NUMBER	QTY	DESCRIPTION	REV
0	SE1203		ANSI 92.5 - ELEC ASSY,GROUND CONTROL / ANSI 92.5 - FACADE BOITIER BAS (32E Prior to SN A300058355)	B
0	1001227071		ANSI 92.20 - ELEC ASSY,GROUND CONTROL / ANSI 92.20 - FACADE BOITIER BAS (32E SN A300058355 to Present)	C
0	1001227071		12E - ELEC ASSY,GROUND CONTROL / 12E - FACADE BOITIER BAS	C
1	1001152083	1	HARNESS LOWER CONTROL BOX / FAISCEAU BOITIER BAS	
2	1001109503	1	GAUGE, INDICATOR / AFFICHEUR MULTIFONCTION	
3	AU2208	1	ANSI 92.5 - SWITCH, MEMBRANE PANEL / ANSI 92.5 - INTERRUPTEUR A MENBRANE BOITIER BAS (32E Prior to SN A300058355)	
3	1001227072	1	ANSI 92.20 - SWITCH, MEMBRANE PANEL / ANSI 92.20 - INTERRUPTEUR A MENBRANE BOITIER BAS (32E SN A300058355 to Present)	
3	1001227072	1	12E - SWITCH, MEMBRANE PANEL / 12E - INTERRUPTEUR A MENBRANE BOITIER BAS	
4	130059	3	SCREW, M4X6 CYLINDER HEAD / VIS TC M04x06 4.8 ZI	
5	240057	1	SWITCH, NC CONTACT BOX / CONTACT NF	
6	240060	1	TURN TO RELEASE KNOB / BOUTON D'ARRET D'URGENCE 1/4 TOUR	
7	240076	1	SWITCH, BASE / EMBASE CONTACT	
8	4360469	1	SWITCH, KEY (DOM) / SELECTEUR A CLE 3 POSITIONS	
8A	2860030	1	KEY, SPARE SET (HOBBS) / CLÉ (INCLUDE DANS REF 4360469)	
9	ST3654	1	SEAL, GROUND PANEL / JOINT BOITIER BAS	
10	ST3782	1	PLATE, GROUND PANEL / PLATINE BOITIER BAS	
11	1001239552	1	PLATE, KEY SWITCH CAP / CAPOT SELECTEUR A CLE	
100	SE1208	1	ANSI 92.5 - KIT-SERVICE, GROUD PANEL / ANSI 92.5 - KIT SAV PLATINE BOITIER BAS (32E Prior to SN A300058355)	
100	1001227074	1	ANSI 92.20 - KIT-SERVICE, GROUD PANEL / ANSI 92.20 - KIT SAV PLATINE BOITIER BAS (32E SN A300058355 to Present)	
100	1001227074	1	12E - KIT-SERVICE, GROUD PANEL / 12E - KIT SAV PLATINE BOITIER BAS	

SECTION 4 - MASTS INSTALL / INSTALLATION MATS

SECTION 4 - MASTS INSTALL / INSTALLATION MATS

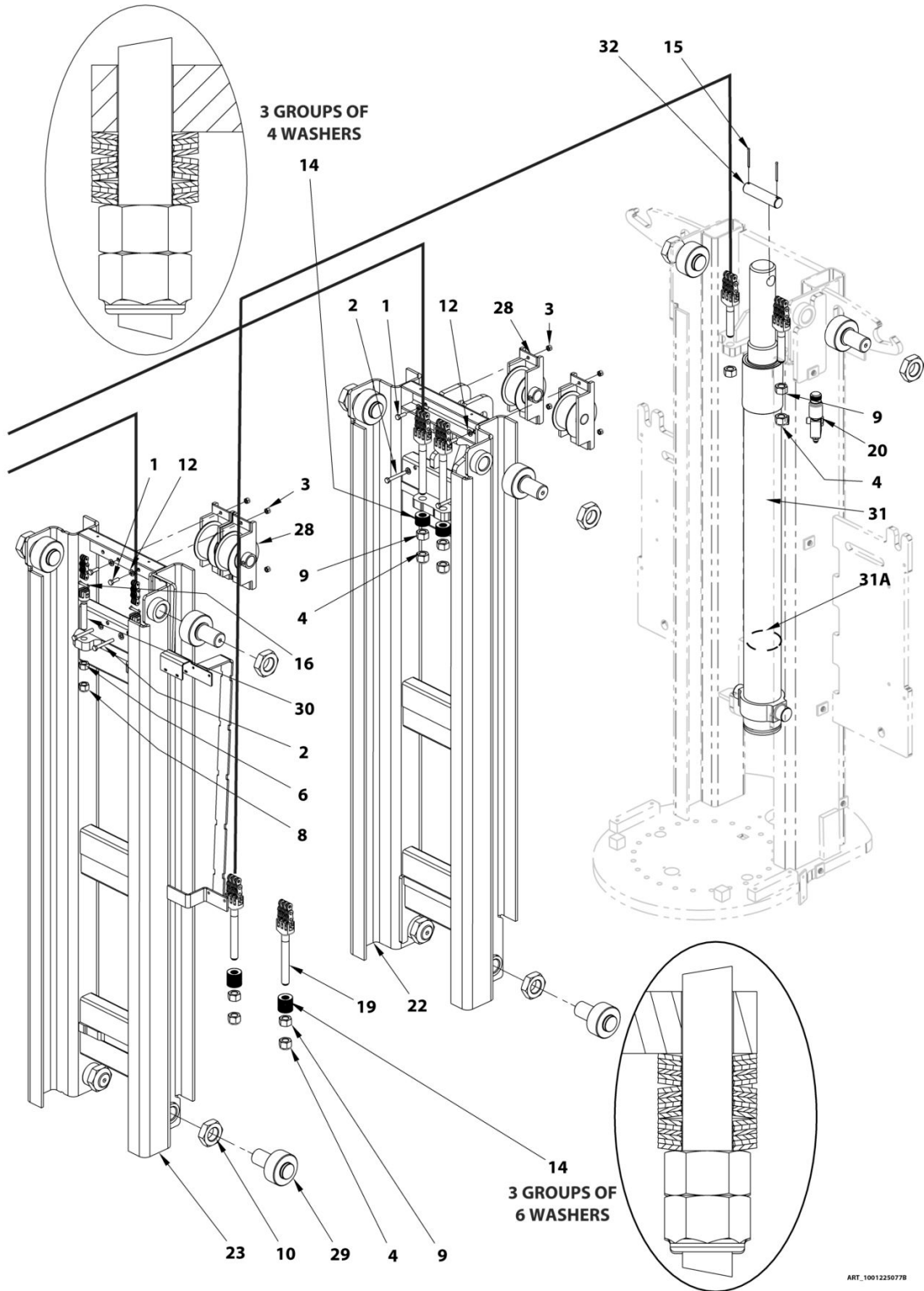
SECTION 4 - MASTS INSTALL / INSTALLATION MATS

FIGURE 4-1. MASTS INSTALL / INSTALLATION MATS



ART_1001225077A

SECTION 4 - MASTS INSTALL / INSTALLATION MATS



ART_1001225077B

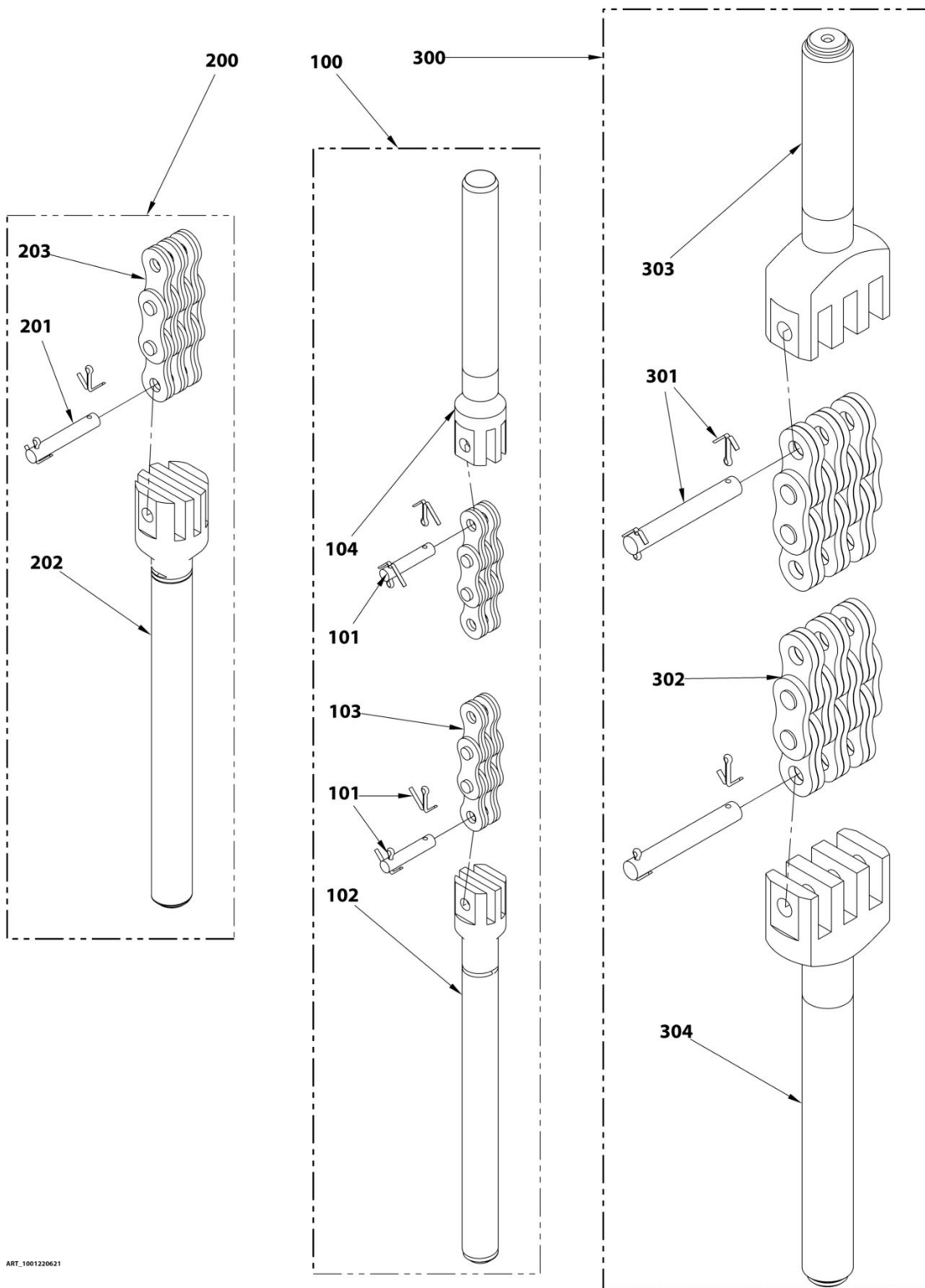
SECTION 4 - MASTS INSTALL / INSTALLATION MATS

FIGURE 4-1. MASTS INSTALL / INSTALLATION MATS

ITEM	PART NUMBER	QTY	DESCRIPTION	REV
	1001225077	Ref	INSTALL,MASTS / INSTALLATION MATS	A
1	0700812	8	M08x25 8.8 HEX HEAD CAPSCREW / VIS CHC M08x25 8.8 BI FP	
2	0700821	8	M08x65 8.8 HEX HEAD CAPSCREW / VIS CHC M08x65 8.8 BI FP	
3	110004	16	M08 GR. 8.8 LOCK NUT / ECROU FREIN M8 CL08 BI	
4	110006	6	M20 GR. 8.8 LOCK NUT / ECROU FREIN M20 CL08 BI	
5	110009	4	M14 GR. 8.8 HEX NUT / ECROU H M14 CL08 BI	
6	110010	4	M16 GR. 8.8 HEX NUT / ECROU H M16 CL08 BI	
7	110019	3	M14 GR. 8.8 LOCK NUT / ECROU FREIN H M14 CL08 BI	
8	110020	3	M16 GR. 8.8 LOCK NUT / ECROU FREIN H M16 CL08 BI	
9	110025	8	M20 GR. 8.8 HEX NUT / ECROU H M20 CL08 BI	
10	110036	20	M42x4.5 GR. 4 FLAT HEX NUT / ECROU Hm M42x4.5 CL04 BI	
11	120006	30	Ø34x16.3x1.5 SPRING WASHER / RONDELLE RESSORT Ø34x16.3x1.5 BR	
12	120010	16	LOCK WASHER D08x18 / RONDELLE CONTACT dD 06x14 BI	
13	120017	24	SPRING WASHER Ø34x14.3x1.5 / RONDELLE RESSORT Ø34x14.3x1.5 BR	
14	120018	60	BEVEL WASHER Ø40x20.4x2 / RONDELLE RESSORT 40x20.4x2 BR	
15	140009	2	Ø4.5x50 COTTER PIN / GOUPILLE FENDUE Ø4.5x50	
16	170008	2	M16 CLEVIS PIN / AXE DE CHAPE M16	
17	1001220619	2	CHAIN,LL10-44 EQUIPPED / CHAINE ASSEMBLEE LL10-44	
18	1001220620	2	CHAIN,LL12-66 (1 SIDE EQUIPPED) / CHAINE LL12-66 EQUIPPEE D'UN COTE	
19	1001220621	4	CHAIN,LH12-66 EQUIPPED / CHAINE ASSEMBLEE LH12-66	
20	1001222931	1	MANIFOLD,MAST CYLINDER / BLOC VERIN MAT	
21	1001225127	1	MAST 6 / MAT 6	
22	DL0892	1	MAST 2 / MAT 2	
23	DL0893	1	MAST 3 / MAT 3	
24	DL0894	1	MAST 4 / MAT 4	
25	DL0895	1	MAST 5 / MAT 5	
26	SE0730	2	PULLEY SUPPORT LL10-44 / ASSEMBLAGE SUPPORT POULIE LL10-44	
27	SE0731	2	PULLEY SUPPORT LL12-66 / ASSEMBLAGE SUPPORT POULIE LL12-66	
28	SE0733	4	PULLEY SUPPORT LH12-66 / ASSEMBLAGE SUPPORT POULIE LH12-66	
29	SE0929	20	ROLLER,ASSEMBLY M42 / ENSEMBLE GALET DE GUIDAGE M42	
30	ST0099	2	CHAIN ANCHOR M16 L80 / CHAPE DE CHAINE M16 L80	
31	ST3557	1	MAST CYLINDER / VERIN DE MAT	
31A	960110	1	SEAL KIT ST3557 / KIT DE JOINT ST3557	
32	US0465	1	MAST CYLINDER PIN / AXE VERIN/MAT	

SECTION 4 - MASTS INSTALL / INSTALLATION MATS

FIGURE 4-2. KIT,CHAINS / KIT CHAINES



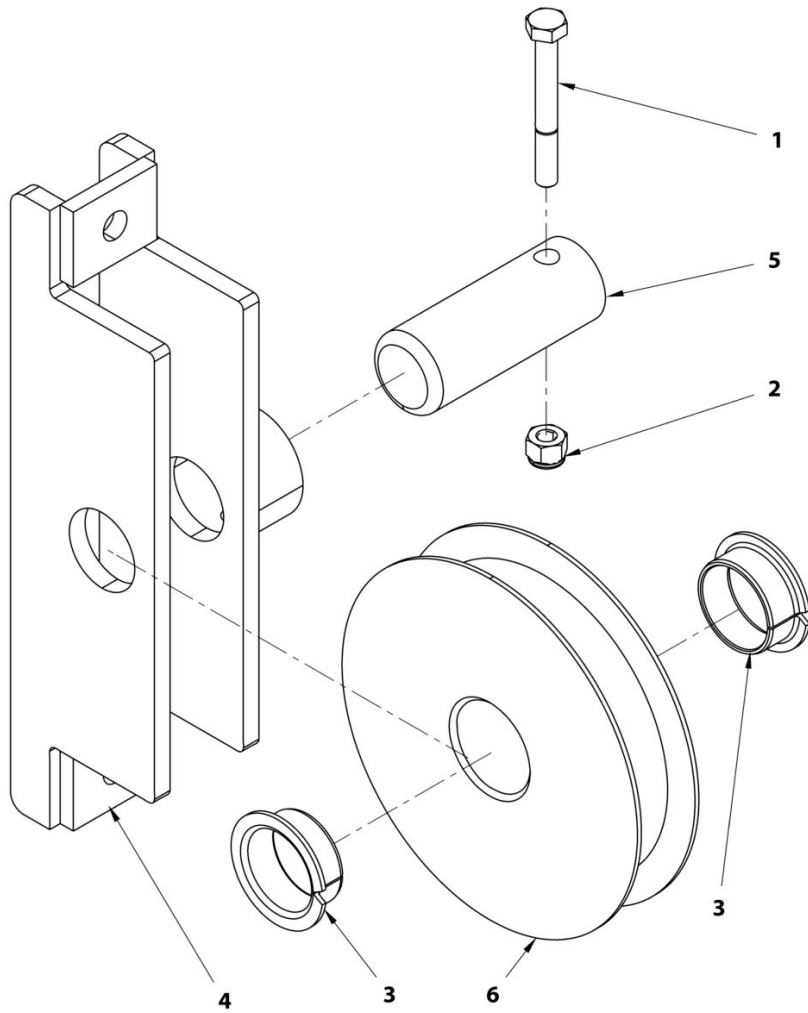
SECTION 4 - MASTS INSTALL / INSTALLATION MATS

FIGURE 4-2. KIT,CHAINS / KIT CHAINES

ITEM	PART NUMBER	QTY	DESCRIPTION	REV
100	1001220619	Ref	CHAIN LL10-44 EQUIPPED / CHAINE ASSEMBLEE LL10-44	A
101	170007	2	M14 CLEVIS PIN / AXE DE CHAPE M14	
102	170009	1	CHAIN ANCHOR M14x150 / CHAPE DE CHAINE M14 L150	
103	ST0120	1	CHAIN ANCHOR M14x90 / CHAPE DE CHAINE M14 L90	
104	ST0178	1	CHAIN LL10-44 / CHAINE LL10-44	
200	1001220620	Ref	CHAIN LL12-66 (1 SIDE EQUIPPED) / CHAINE LL12-66 EQUIPEE D'UN COTE	A
201	170008	1	M16 CLEVIS PIN / AXE DE CHAPE M16	
202	170010	1	CHAIN ANCHOR M16x160 / CHAPE DE CHAINE M16 L160	
203	ST0179	1	CHAIN LL12-66 / CHAINE LL12-66	
300	1001220621	Ref	CHAIN LH12-66 EQUIPPED / CHAINE ASSEMBLEE LH12-66	A
301	170002	2	M20 CLEVIS PIN / AXE DE CHAPE M20	
302	ST0751	1	CHAIN LH12-66 / CHAINE LH12-66	
303	ST0752	1	CHAIN ANCHOR M20x80 / CHAPE M20 L80	
304	ST0828	1	CHAIN ANCHOR M20x135 / CHAPE M20 L135	

SECTION 4 - MASTS INSTALL / INSTALLATION MATS

FIGURE 4-3. PULLEY SUPPORT LL10-44 / SUPPORT POULIE LL10-44



ART. 560730

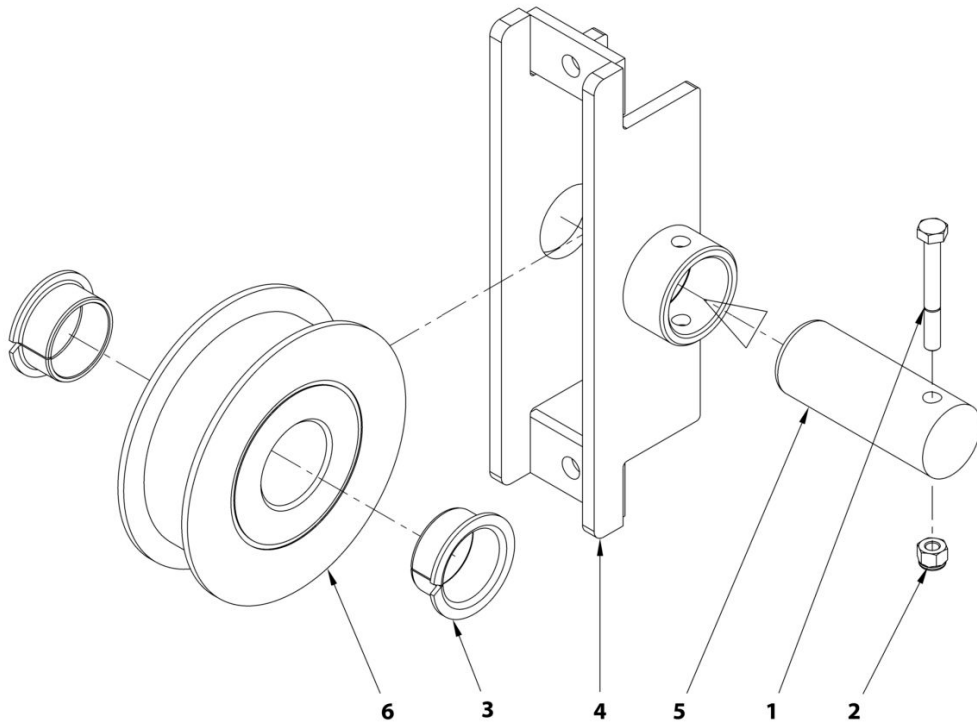
SECTION 4 - MASTS INSTALL / INSTALLATION MATS

FIGURE 4-3. PULLEY SUPPORT LL10-44 / SUPPORT POULIE LL10-44

ITEM	PART NUMBER	QTY	DESCRIPTION	REV
	SE0730		PULLEY SUPPORT LL10-44 / SUPPORT POULIE LL10-44	
1	100013	1	M06x50 8.8 HEX HEAD CAPSCREW / VIS H M06x50 8.8 BI FP	
2	110003	1	M06 GR.08 LOCK NUT / ECROU FREIN M6 CL08 BI	
3	150011	2	FLANGE BUSHING D25 H11.5 DU / BAGUE EPAULEE D25 H11.5 DU	
4	SD0453	1	PULLEY MOUNT / SUPPORT POULIE	
5	US0377	1	PULLEY PIN / AXE DE SUPPORT POULIE	
6	US0475	1	LL10-44 PULLEY / POULIE LL10-44	

SECTION 4 - MASTS INSTALL / INSTALLATION MATS

FIGURE 4-4. PULLEY SUPPORT LL12-66 / SUPPORT POULIE LL12-66



ART_SE0731

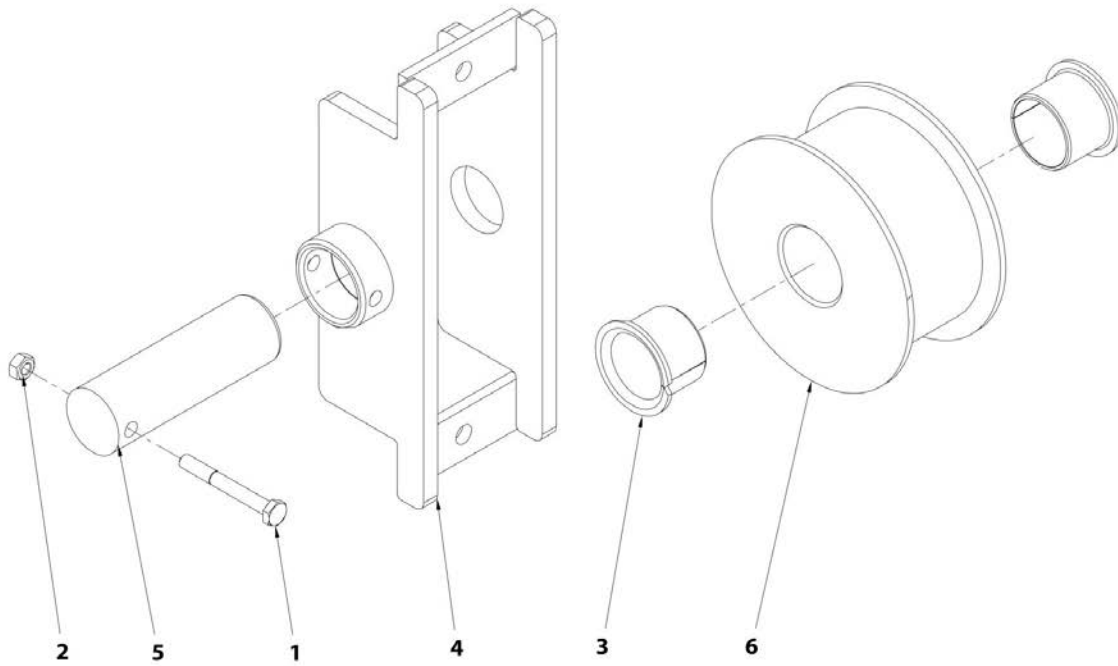
SECTION 4 - MASTS INSTALL / INSTALLATION MATS

FIGURE 4-4. PULLEY SUPPORT LL12-66 / SUPPORT POULIE LL12-66

ITEM	PART NUMBER	QTY	DESCRIPTION	REV
	SE0731		PULLEY SUPPORT LL12-66 / SUPPORT POULIE LL12-66	
1	100013	1	M06x50 8.8 HEX HEAD CAPSCREW / VIS H M06x50 8.8 BI FP	
2	110003	1	M06 GR08 LOCK NUT / ECROU FREIN M6 CL08 BI	
3	150007	2	FLANGE BUSHING Ø30 H16 DU / BAGUE EPAULEE Ø30 H16 DU	
4	SD0452	1	PULLEY MOUNT / SUPPORT POULIE	
5	US0375	1	PULLEY PIN / AXE DE SUPPORT POULIE	
6	US0479	1	LL12-66 PULLEY / POULIE LL12-66	

SECTION 4 - MASTS INSTALL / INSTALLATION MATS

FIGURE 4-5. PULLEY SUPPORT LH12-66 / SUPPORT POULIE LH12-66



ART 56973

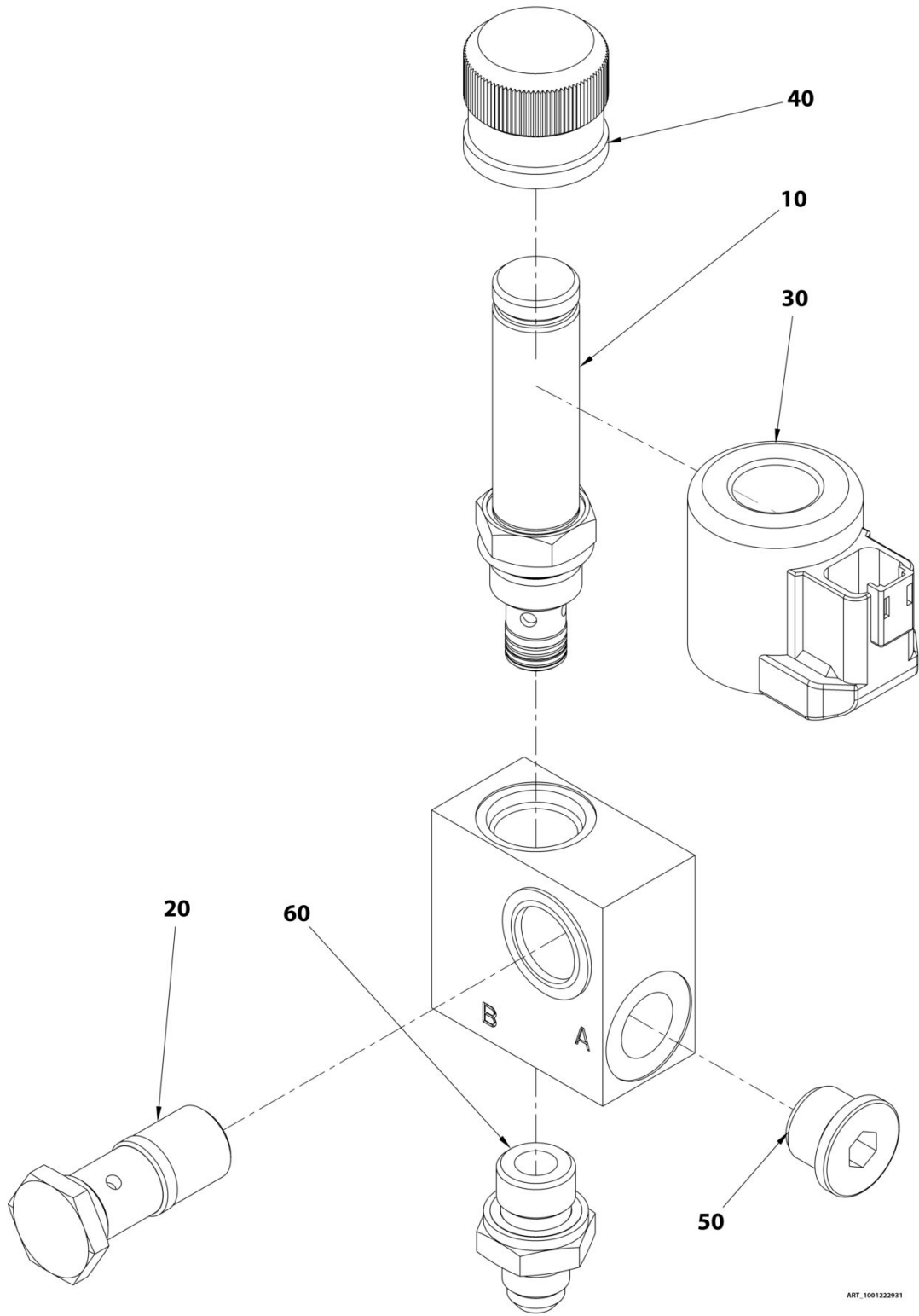
SECTION 4 - MASTS INSTALL / INSTALLATION MATS

FIGURE 4-5. PULLEY SUPPORT LH12-66 / SUPPORT POULIE LH12-66

ITEM	PART NUMBER	QTY	DESCRIPTION	REV
	SE0733		PULLEY SUPPORT LH12-66 TH=8mm / ASSEMBLAGE SUPPORT POULIE LH12-66 EP=8mm	
1	100013	1	M06x50 8.8 HEX HEAD CAPSCREW / VIS H M06x50 8.8 BI FP	
2	110003	1	M06 GR08 LOCK NUT / ECROU FREIN M6 CL08 BI	
3	150006	2	FLANGE BUSHING Ø30 H26 DU / BAGUE EPAULEE Ø30 H26 DU	
4	SD0605	1	PULLEY MOUNT / SUPPORT POULIE	
5	US0460	1	PULLEY PIN / AXE DE POULIE	
6	US0478	1	PULLEY / POULIE	

SECTION 4 - MASTS INSTALL / INSTALLATION MATS

FIGURE 4-6. MAST CYLINDER MANIFOLD / BLOC VERIN DE MAT



SECTION 4 - MASTS INSTALL / INSTALLATION MATS

FIGURE 4-6. MAST CYLINDER MANIFOLD / BLOC VERIN DE MAT

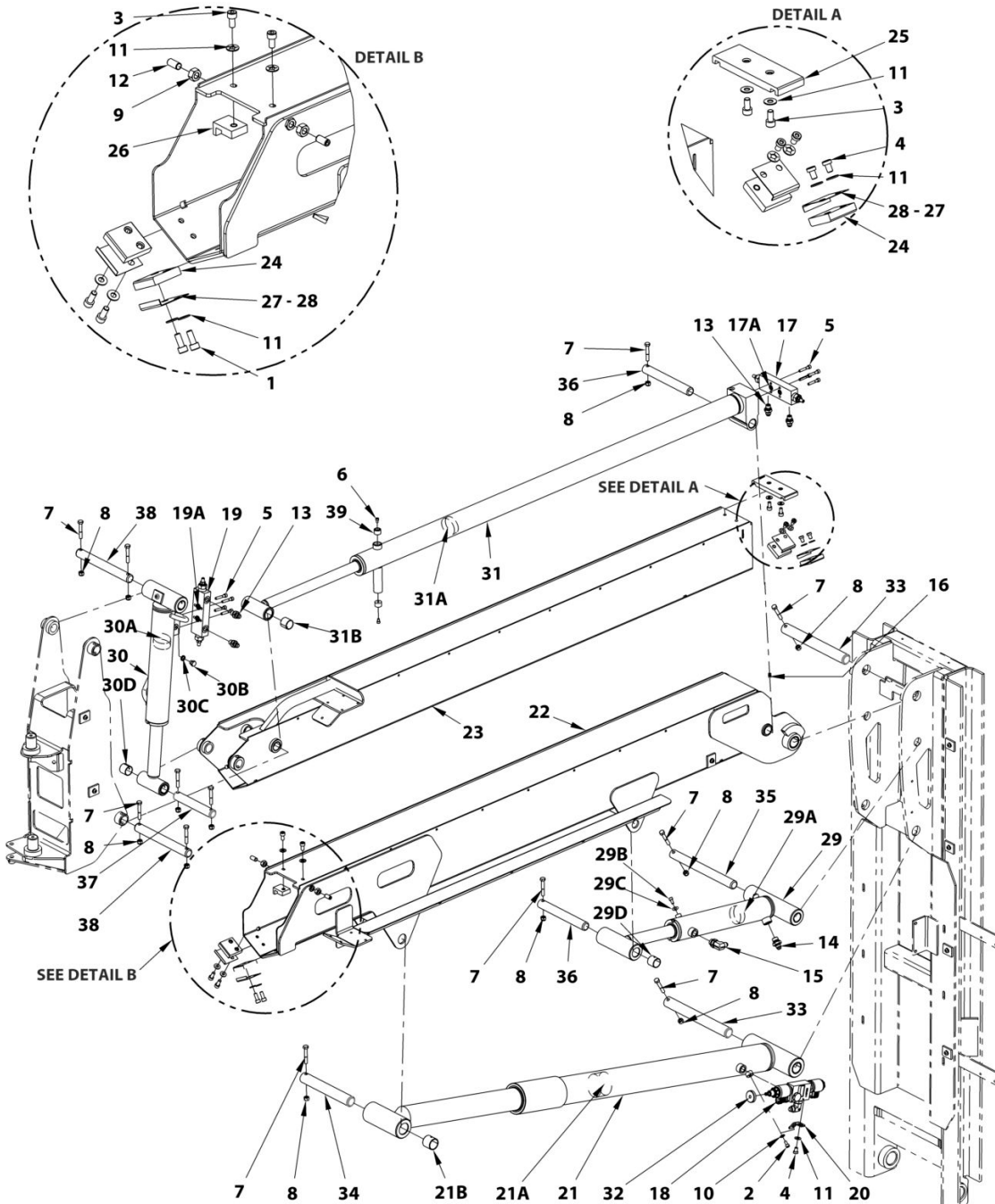
ITEM	PART NUMBER	QTY	DESCRIPTION	REV
	1001222931		MANIFOLD,MAST CYLINDER / BLOC VERIN DE MAT	A
10	952102	1	DIRECTION VALVE 2/2 NC / DISTRIBUTEUR DIRECTION 2/2 NC	
20	1001225154	1	SCREW SRH G3/8 / VIS SRH G3/8	
30	1001225149	1	COIL 2/2 VALVE / BOBINE DISTRIBUTEUR 2/2	
40	1001225155	1	MANUAL OVERRIDE SO1185 (RED) / COMMANDE MANUELLE SO1185 ROUGE	
50	300047	1	CAP BSPP 3/8 / BOUCHON BSPP 3/8	
60	300040	1	FITTING MALE BSPP3/8 MALE JIC9/16 / RACCORD MALE BSPP3/8 MALE JIC9/16	

SECTION 5 - BOOM INSTALL / INSTALLATION BRAS

SECTION 5 - BOOM INSTALL / INSTALLATION BRAS

SECTION 5 - BOOM INSTALL / INSTALLATION BRAS

FIGURE 5-1. 12E,32E BOOM INSTALL / 12E,32E ASSEMBLAGE BRAS



ART_100125078

SECTION 5 - BOOM INSTALL / INSTALLATION BRAS

FIGURE 5-1. 12E,32E BOOM INSTALL / 12E,32E ASSEMBLAGE BRAS

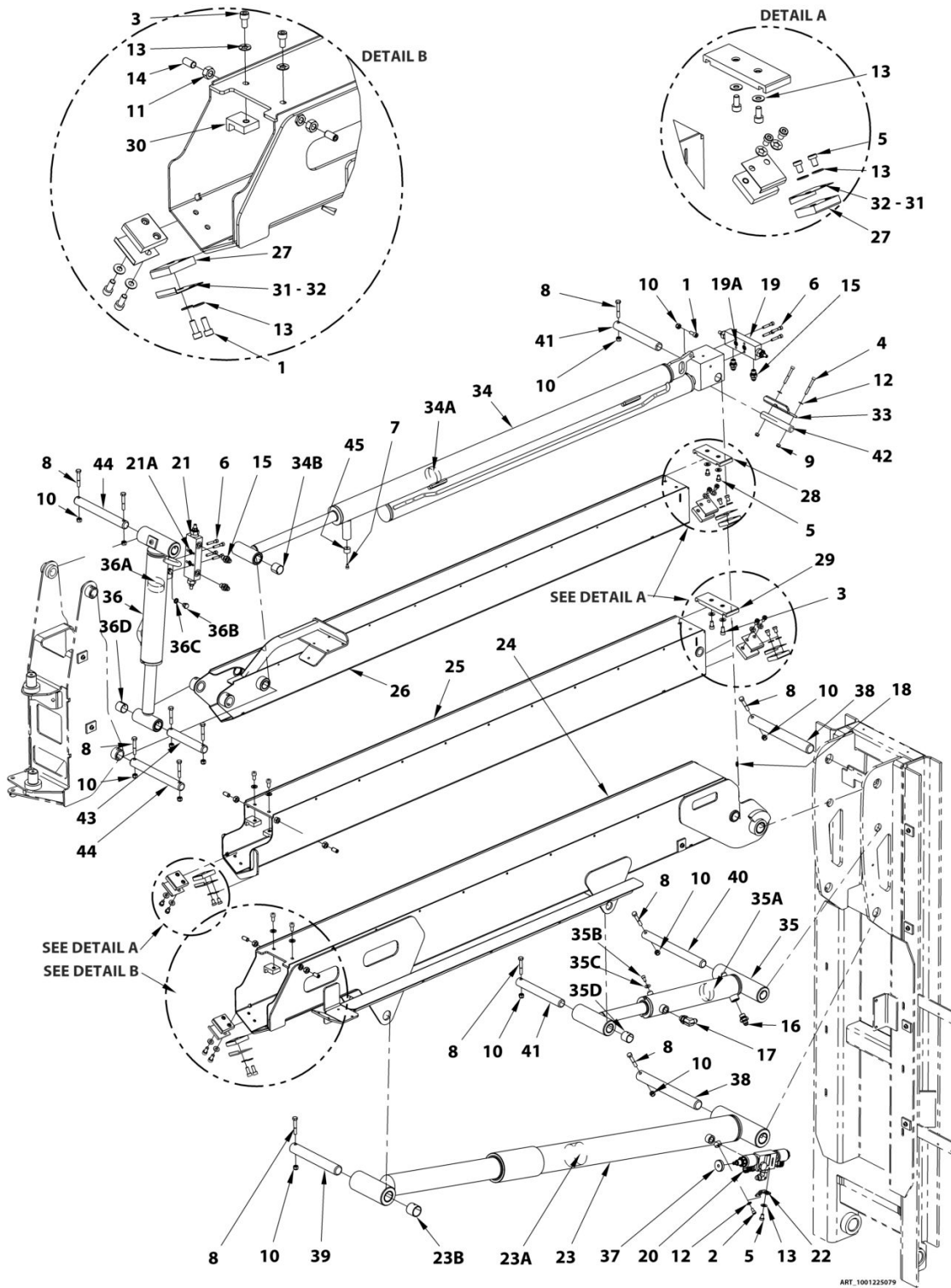
ITEM	PART NUMBER	QTY	DESCRIPTION	REV
	1001225078	Ref	12E,32E BOOM INSTALL / 12E,32E ASSEMBLAGE BRAS	C
1	000006	4	M08x20 8.8 SOCKET HEAD MACH SCREW / VIS CHC M08x20 8.8 BI FT	
2	000014	1	M06x12 8.8 SOCKET HEAD MACH SCREW / VIS CHC M06x12 8.8 BI FT	
3	000018	4	M08x16 8.8 SOCKET HEAD MACH SCREW / VIS CHC M08x16 8.8 BI FT	
4	000059	5	M08x12 8.8 S SOCK HEAD MACH SCREW / VIS CHC M08x12 8.8 BI FT	
5	000077	8	M06x35 8.8 SOCKET HEAD CAPSCREW / VIS CHC M06x35 8.8 BI FP	
6	000089	2	M05x08 8.8 SOCKET HEAD MACH SCREW / VIS CHC M05x08 8.8 BI FT	
7	100007	12	M08x50 8.8 HEX HEAD CAPSCREW / VIS H M08x50 8.8 BI FP	
8	110004	12	M08 GR. 8.8 LOCK NUT / ECROU FREIN M8 CL08 BI	
9	110008	2	M10 GR. 8.8 HEX NUT / ECROU H M10 CL08 BI	
10	120009	1	LOCK WASHER D06x14 / RONDELLE CONTACT dD06x14 BI	
11	120010	13	LOCK WASHER D08x18 / RONDELLE CONTACT dD08x18 BI	
12	130067	2	SCREW,SET-FLAT POINT-M10X20 / VIS HC M10x20 8.8 BI	
13	300025	4	FITTING MALE BSPP1/4-MALE JIC9/16 / RACCORD MALE BSPP1/4-MALE JIC9/16	
14	300040	1	FITTING MALE BSPP3/8 MALE JIC9/16 / RACCORD MALE BSPP3/8-MALE JIC9/16	
15	300061	1	90° ELBOW MALE BSPP 3/8-MALE JIC 9/16 / COUDE 90° MALE BSPP3/8-MALE JIC9/16	
16	310099	1	GREASE NIPPLE M6 / GRAISSEUR M6	
17	1001222934	1	VALVE TELESCOPE / DISTRIBUTEUR TELESCOPE	
17A	952163	AR	O-RING 9.93x2.62 / JOINT TORIQUE 9.93x2.62	
18	1001222932	1	VALVE JIB / DISTRIBUTEUR BRAS	
19	1001222933	1	VALVE LEVELLING / BOC CORRECTION	
19A	952163	AR	O-RING 9.93x2.62 / JOINT TORIQUE 9.93x2.62	
20	1001225530	1	PLATE,JIB CYLINDER,VALVE GUARD / TOLE PROTECTION BLOC	
21	1001225800	1	JIB CYLINDER / VERIN DE BRAS	
21A	960109	1	SEAL KIT / KIT DE JOINTS	
21B	150001	4	BUSHING Ø30 H30 DX / BAGUE Ø30 H30 DX	
22	DL0878	1	BOOM,OUTER SECTION / BRAS, SECTION EXTERIEURE	
23	DL0881	1	BOOM,INNER SECTION 12E-32E / BRAS, SECTION INTERIEURE 12E-32E	
24	ST3523	4	PAD,SLIDE / PATIN DE GLISSEMENT	
25	ST3525	1	PAD,SLIDE / PATIN DE GLISSEMENT DESSUS ET COTE	
26	ST3526	2	PAD,SLIDE SIDE / PATIN DE GLISSEMENT LATERAL	
27	ST3690	AR	SHIM,SPACER SLIDE PAD 1mm / CALE DE PATIN 1mm	
28	ST3691	AR	SHIM,SPACER SLIDE PAD 0.5mm / CALE DE PATIN 0.5mm	
29	ST3498	1	MASTER CYLINDER SERTA / VERIN MAITRE SERTA (Prior to SN A300057478)	
29	1001239246	1	MASTER CYLINDER BURNSIDE / VERIN MAITRE BURNSIDE (SN A300057478 to Present)	
29A	960102	1	SEAL KIT SERTA / KIT DE JOINT SERTA (Prior to SN A300057478)	
29A	1001247752	1	SEAL KIT BURNSIDE / KIT DE JOINT BURNSIDE (SN A300057478 to Present)	
29B	960103	2	DRAINING SCREW SERTA / VIS DE PURGE SERTA (Prior to	

SECTION 5 - BOOM INSTALL / INSTALLATION BRAS

ITEM	PART NUMBER	QTY	DESCRIPTION	REV
			SN A300057478)	
29C	960104	2	DRAINING SCREW SEAL SERTA / JOINT VIS DE PURGE SERTA (Prior to SN A300057478)	
29D	150002	4	BUSHING Ø25 H25 DX / BAGUE Ø25 H25 DX	
30	ST3499	1	SLAVE CYLINDER SERTA / VERIN ESCLAVE SERTA (Prior to SN A300057477)	
30	1001239247	1	SLAVE CYLINDER BURNSIDE / VERIN ESCLAVE BURNSIDE (SN A300057477 to Present)	
30A	960102	1	SEAL KIT SERTA / KIT DE JOINT SERTA (Prior to SN A300057477)	
30A	1001247752	1	SEAL KIT BURNSIDE / KIT DE JOINT BURNSIDE (SN A300057477 to Present)	
30B	960105	2	DRAINING SCREW SERTA / VIS DE PURGE SERTA (Prior to SN A300057477)	
30B	1001254734	1	DRAINING SCREW BURNSIDE / VIS DE PURGE BURNSIDE (SN A300057477 to Present)	
30C	960106	2	DRAINING SCREW SEAL SERTA / JOINT VIS DE PURGE SERTA (Prior to SN A300057477)	
30C	1001254735	1	DRAINING SCREW SEAL BURNSIDE / JOINT VIS DE PURGE BURNSIDE (SN A300057477 to Present)	
30D	150002	4	BUSHING Ø25 H25 DX / BAGUE Ø25 H25 DX	
31	ST3501	1	TELESCOPE CYLINDER SERTA / VERIN TELESCOPE SERTA (Prior to SN A300057704)	
31	1001239244	1	TELESCOPE CYLINDER BURNSIDE / VERIN TELESCOPE BURNSIDE (SN A300057704 to Present)	
31A	960107	1	SEAL KIT SERTA / KIT DE JOINTS SERTA (Prior to SN A300057704, Including A300058985 and A300058986)	
31A	1001247750	1	SEAL KIT BURNSIDE / KIT DE JOINTS BURNSIDE (SN A300057704 to Present, Excluding A300058985 and A300058986)	
31B	150002	2	BUSHING Ø25 H25 DX / BAGUE Ø25 H25 DX	
32	US0277	1	CYLINDER EMERGENCY BUTTON / BOUTTON DE SECOUR VERIN	
33	US0458	2	PIN, D30-L265 / AXE, D30-L265	
34	US0459	1	PIN, D30-L205 / AXE D30-L205	
35	US0490	1	PIN, D25-L265 / AXE D25-L265	
36	US0492	2	PIN, D25-L195 / AXE D25-L195	
37	US0580	1	PIN, D25-L160 / AXE D25-L160	
38	US0581	2	PIN, D25-L223 / AXE D25-L223	
39	US0588	2	ROLLER, SLIDING / BUTEE DE GLISSEMENT	

SECTION 5 - BOOM INSTALL / INSTALLATION BRAS

FIGURE 5-2. 12E PLUS BOOM INSTALL / 12E PLUS ASSEMBLAGE BRAS



SECTION 5 - BOOM INSTALL / INSTALLATION BRAS

FIGURE 5-2. 12E PLUS BOOM INSTALL / 12E PLUS ASSEMBLAGE BRAS

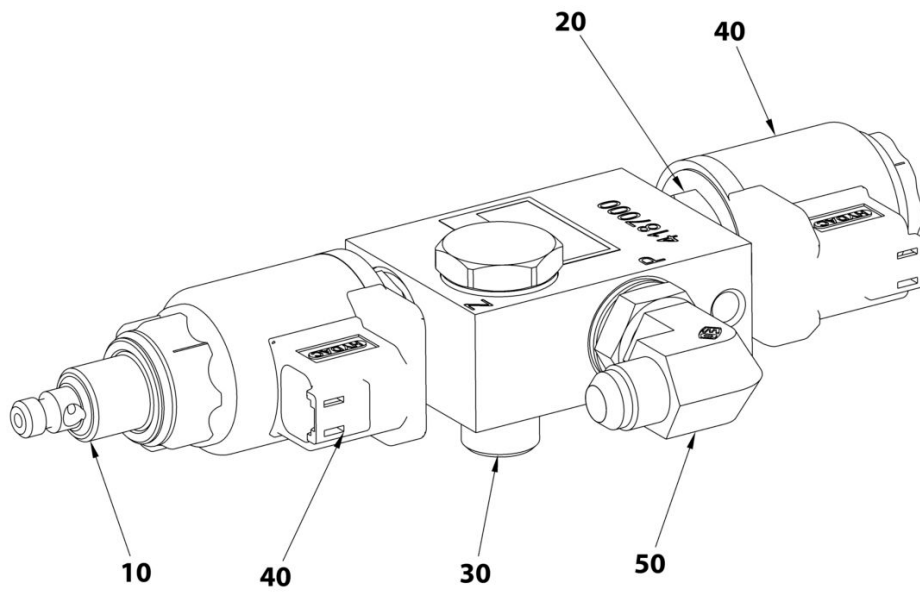
ITEM	PART NUMBER	QTY	DESCRIPTION	REV
	1001225079	Ref	12E Plus BOOM INSTALL / 12E Plus ASSEMBLAGE BRAS	C
1	000006	5	M08x20 8.8 SOCKET HEAD MACH SCREW / VIS CHC M08x20 8.8 BI FT	
2	000014	1	M06x12 8.8 SOCKET HEAD MACH SCREW / VIS CHC M06x12 8.8 BI FT	
3	000018	6	M08x16 8.8 SOCKET HEAD MACH SCREW / VIS CHC M08x16 8.8 BI FT	
4	000026	2	M06x50 8.8 SOCKET HEAD CAPSCREW / VIS CHC M06x50 8.8 BI FP	
5	000059	15	M08x12 8.8 S SOCK HEAD MACH SCREW / VIS CHC M08x12 8.8 BI FT	
6	000077	8	M06x35 8.8 SOCKET HEAD CAPSCREW / VIS CHC M06x35 8.8 BI FP	
7	000089	1	M05x08 8.8 SOCKET HEAD MACH SCREW / VIS CHC M05x08 8.8 BI FT	
8	100007	12	M08x50 8.8 HEX HEAD CAPSCREW / VIS H M08x50 8.8 BI FP	
9	110003	2	M06 GR. 8.8 LOCK NUT / ECROU FREIN M6 CL08 BI	
10	110004	13	M08 GR. 8.8 LOCK NUT / ECROU FREIN M8 CL08 BI	
11	110008	4	M10 GR. 8.8 HEX NUT / ECROU H M10 CL08 BI	
12	120009	3	LOCK WASHER D06x14 / RONDELLE CONTACT dD06x14 BI	
13	120010	25	LOCK WASHER D08x18 / RONDELLE CONTACT dD08x18 BI	
14	130067	4	SCREW,SET-FLAT POINT-M10X20 / VIS HC M10x20 8.8 BI	
15	300025	4	FITTING MALE BSPP1/4-MALE JIC9/16 / RACCORD MALE BSPP1/4-MALE JIC9/16	
16	300040	1	FITTING MALE BSPP3/8 MALE JIC9/16 / RACCORD MALE BSPP3/8-MALE JIC9/16	
19A	952163	AR	O RING 9.93x2.62 / JOINT TORIQUE 9.93x2.62	
17	300061	1	90° ELBOW MALE BSPP 3/8-MALE JIC 9/16 / COUDE 90° MALE BSPP3/8-MALE JIC9/16	
18	310099	1	GREASE NIPPLE M6 / GRAISSEUR M6	
19	1001222934	1	VALVE TELESCOPE / DISTRIBUTEUR TELESCOPE	
20	1001222932	1	VALVE JIB / DISTRIBUTEUR BRAS	
21	1001222933	1	VALVE LEVELLING / BOC CORRECTION	
21A	952163	AR	O-RING 9.93x2.62 / JOINT TORIQUE 9.93x2.62	
22	1001225530	1	PLATE,JIB CYLINDER,VALVE GUARD / TOLE PROTECTION BLOC	
23	1001225800	1	JIB CYLINDER / VERIN DE BRAS	
23A	960109	1	SEAL KIT / KIT DE JOINTS	
23B	150001	4	BUSHING Ø30 H30 DX / BAGUE Ø30 H30 DX	
24	DL0878	1	BOOM,OUTER SECTION / BRAS, SECTION EXTERIEURE	
25	DL0879	1	BOOM,MID SECTION / BRAS, SECTION INTERMEDIAIRE	
26	DL0880	1	BOOM,INNER SECTION / BRAS, SECTION INTERIEURE	
27	ST3523	8	PAD,SLIDE / PATIN DE GLISSEMENT	
28	ST3524	1	PAD,SLIDE / PATIN DE GLISSEMENT	
29	ST3525	1	PAD,SLIDE / PATIN DE GLISSEMENT DESSUS ET COTE	
30	ST3526	4	PAD,SLIDE SIDE / PATIN DE GLISSEMENT LATERAL	
31	ST3690	AR	SHIM,SPACER SLIDE PAD 1mm / CALE DE PATIN 1mm	
32	ST3691	AR	SHIM,SPACER SLIDE PAD 0.5mm / CALE DE PATIN 0.5mm	
33	ST3693	1	BRACKET,TELESCOPE CYLINDER / SUPPORT, VERIN TELESCOPE	
34	ST3497	1	TELESCOPE DUAL CYLINDER SERTA / VERIN DOUBLE TELESCOPE SERTA (Prior to SN A300057507)	

SECTION 5 - BOOM INSTALL / INSTALLATION BRAS

ITEM	PART NUMBER	QTY	DESCRIPTION	REV
34	1001239245	1	TELESCOPE DUAL CYLINDER BURNSIDE / VERIN DOUBLE TELESCOPE BURNSIDE (SN A300057507 to Present)	
34A	960108	1	SEAL KIT SERTA / KIT DE JOINTS SERTA (Prior to SN A300057507)	
34A	1001247751	1	SEAL KIT BURNSIDE / KIT DE JOINTS BURNSIDE (SN A300057507 to Present)	
34B	150002	2	BUSHING Ø25 H25 DX / BAGUE Ø25 H25 DX	
35	ST3498	1	MASTER CYLINDER / VERIN MAITRE SERTA (Prior to SN A300057478)	
35	1001239246	1	MASTER CYLINDER / VERIN MAITRE BURNSIDE (SN A300057478 to Present)	
35A	960102	1	SEAL KIT SERTA / KIT DE JOINTS SERTA (Prior to SN A300057478)	
35A	1001247752	1	SEAL KIT BURNSIDE / KIT DE JOINTS BURNSIDE (SN A300057478 to Present)	
35B	960103	2	DRAINING SCREW SERTA / VIS DE PURGE SERTA (Prior to SN A300057478)	
35C	960104	2	DRAINING SCREW SEAL SERTA / JOINT VIS DE PURGE SERTA (Prior to SN A300057478)	
35D	150002	4	BUSHING Ø25 H25 DX / BAGUE Ø25 H25 DX	
36	ST3499	1	SLAVE CYLINDER / VERIN ESCLAVE SERTA (Prior to SN A300057477)	
36	1001239247	1	SLAVE CYLINDER / VERIN ESCLAVE BURNSIDE (SN A300057477 to Present)	
36A	960102	1	SEAL KIT SERTA / KIT DE JOINTS SERTA (Prior to SN A300057477)	
36A	1001247752	1	SEAL KIT BURNSIDE / KIT DE JOINTS BURNSIDE (SN A300057477 to Present)	
36B	960105	2	DRAINING SCREW SERTA / VIS DE PURGE SERTA (Prior to SN A300057477)	
36B	1001254734	1	DRAINING SCREW BURNSIDE / VIS DE PURGE BURNSIDE (SN A300057477 to Present)	
36C	960106	2	DRAINING SCREW SEAL SERTA / JOINT VIS DE PURGE SERTA (Prior to SN A300057477)	
36C	1001254735	1	DRAINING SCREW SEAL BURNSIDE / JOINT VIS DE PURGE BURNSIDE (SN A300057477 to Present)	
36D	150002	4	BUSHING Ø25 H25 DX / BAGUE Ø25 H25 DX	
37	US0277	1	CYLINDER EMERGENCY BUTTON / BOUTTON DE SECOUR VERIN	
38	US0458	2	PIN, D30-L265 / AXE, D30-L265	
39	US0459	1	PIN, D30-L205 / AXE D30-L205	
40	US0490	1	PIN, D25-L265 / AXE D25-L265	
41	US0492	2	PIN, D25-L195 / AXE D25-L195	
42	US0579	1	PIN, D20-L132 / AXE, D20-L132	
43	US0580	1	PIN, D25-L160 / AXE D25-L160	
44	US0581	2	PIN, D25-L223 / AXE D25-L223	
45	US0588	1	ROLLER, SLIDING / BUTEE DE GLISSEMENT	

SECTION 5 - BOOM INSTALL / INSTALLATION BRAS

FIGURE 5-3. MANIFOLD JIB / BLOC BRAS



ART. 1001222932

SECTION 5 - BOOM INSTALL / INSTALLATION BRAS

FIGURE 5-3. MANIFOLD JIB / BLOC BRAS

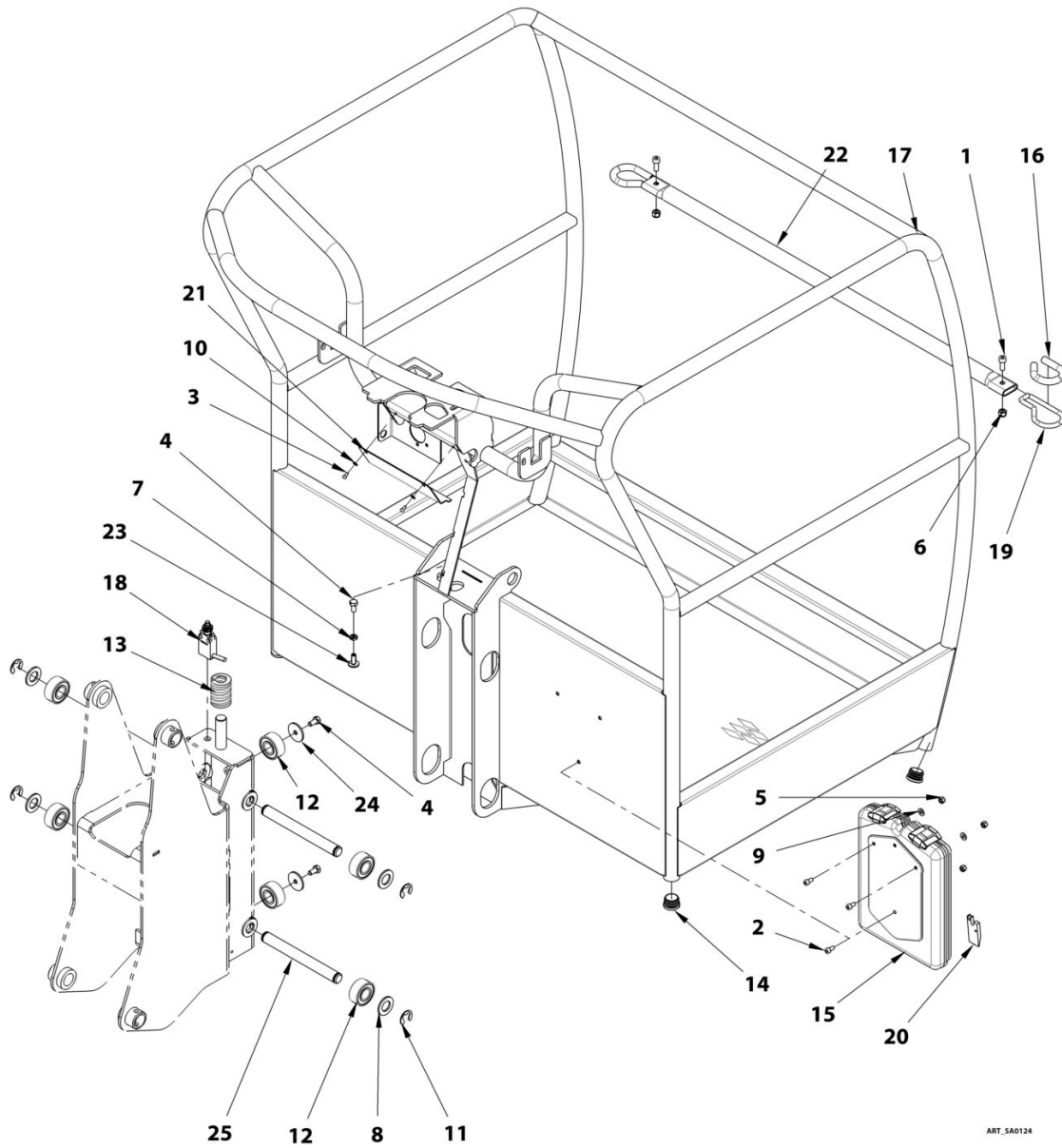
ITEM	PART NUMBER	QTY	DESCRIPTION	REV
	1001222932		MANIFOLD JIB / BLOC BRAS	
10	1001225133	1	DIRECTIONAL VALVE 2/2 NC / DISTRIBUTEUR 2/2 NC	
20	1001225159	1	DIRECTIONAL VALVE 2/2 NC / DISTRIBUTEUR 2/2 NC	
30	1001225529	1	SCREW SRH G3/8 / VIS BANJO G3/8	
40	1001225149	2	COIL VALVE 2/2 / BOBINE DISTRIBUTEUR 2/2	
50	300061	1	90° ELBOW MALE BSPP 3/8-MALE JIC 9/16 / COUDE 90° MALE BSPP3/8-MALE JIC9/16	

SECTION 6 - PLATFORM INSTALL / INSTALLATION PLATE-FORME

SECTION 6 - PLATFORM INSTALL / INSTALLATION PLATE-FORME

SECTION 6 - PLATFORM INSTALL / INSTALLATION PLATE-FORME

FIGURE 6-1. PLATFORM INSTALL WITH DROP BAR / INSTALLATION PLATE-FORME AVEC LISSE COULISSANTE



ART-SA0124

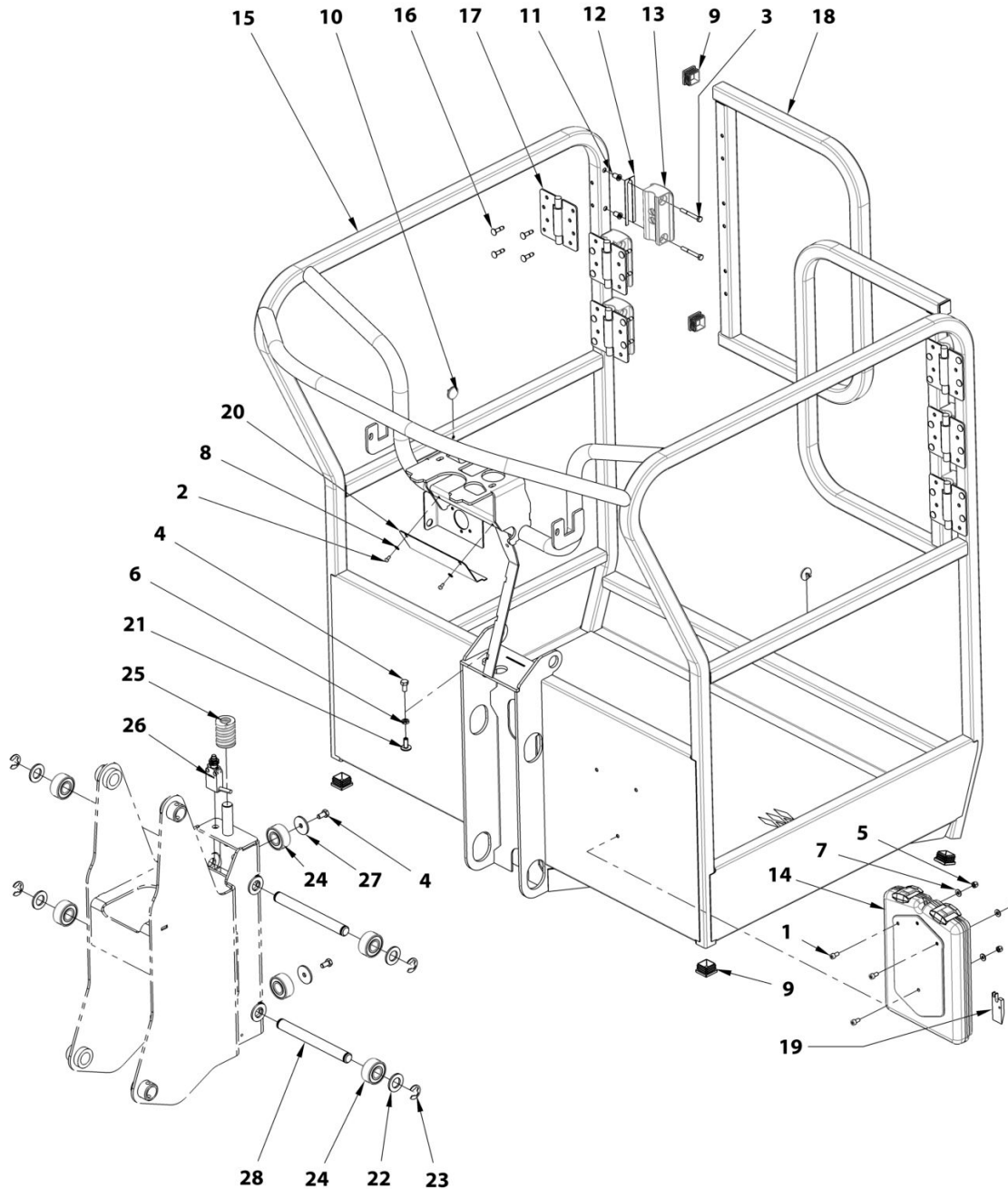
SECTION 6 - PLATFORM INSTALL / INSTALLATION PLATE-FORME

FIGURE 6-1. PLATFORM INSTALL WITH DROP BAR / INSTALLATION PLATE-FORME AVEC LISSE COULISSANTE

ITEM	PART NUMBER	QTY	DESCRIPTION	REV
0	SA0124	Ref	PLAT FORM, DROP BAR (W/LSS) / PLATE-FORME, LISSE COULISSANTE (AVEC SURCHARGE)	B
1	000006	2	M08X20 8.8 SOCKET HEAD MACHSCREW / VIS CHC M08x20 8.8 BI FT	
2	000014	3	M06X12 8.8 SOCKET HEAD MACHSCREW / VIS CHC M06x12 8.8 BI FT	
3	000090	2	M04X08 8.8 SOCKET HEAD MACHSCREW / VIS CHC M04x08 8.8 BI FT	
4	100054	3	M08X16_8.8 HEX HEAD MACHINE_SCREW / VIS H M08x16 8.8 BI FT	
5	110003	3	LOCK NUT H M6 GR08 / ECROU FREIN M6 CL08 BI	
6	110004	2	LOCK NUT H M8 GR08 / ECROU FREIN M8 CL08 BI	
7	110022	1	NUT HM M8 GR04 / ECROU Hm M08 CL04 ZI	
8	120003	4	WASHER D20X37 / RONDELLE D20X37	
9	120009	3	LOCK WASHER D06X14 / RONDELLE CONTACT dD 06x14 BI	
10	120024	2	LOCK WASHER D04X10 / RONDELLE CONTACT M4 BI	
11	130029	4	CIRCLIP, BENZING / CIRCLIP	
12	150061	6	BALL BEARING, DBLE RAW 3204 / ROULEMENT A BILLE, DOUBLE RANGEE 3204	
13	160033	1	SPRING OVER LOAD G40 GR051 / RESSORT DE COMPRESSION	
14	400048	4	CAP Ø30 / BOUCHON	
15	8990147	1	HOLDER MANUAL / BOITE PORTE-DOCUMENTS	
16	280023	0.36 m	BLACK SHEATH / GAINÉ DE PROTECTION (qté en mètre)	
17	DL0885	1	PLATFORM WELDMENT DROP BAR / PLATE-FORME LISSE COULISSANTE	
18	PC0468	1	HARNESS, LOAD SENSING SWITCH / FAISCEAU CAPTEUR DE SURCHARGE	
19	ST0736	2	BAR, FLAP HOOP / ANNEAU PORTILLON	
20	ST2741	1	SHIM, CHECKING / CALE DE VERIFICATION	
21	ST3234	1	PLATE, CONNECTOR BOX COVER / CARTER CONNECTEURS BOITIER	
22	ST3521	1	TUBE, GATE / TUBE LISSE	
23	US0236	1	SCREW, ADJUSTMENT / SCREW, ADJUSTMENT	
24	US0531	2	WASHER-SPEC, D8XD37XTH.3 / RONDELLE D8xD37xEP3	
25	US0570	2	PIN BEARING MOUNT / AXE ROULEMENT	

SECTION 6 - PLATFORM INSTALL / INSTALLATION PLATE-FORME

FIGURE 6-2. PLATFORM INSTALL WITH SALOON GATES / INSTALLATION PLATE-FORME AVEC PORTE SALOON (SN A300058355 to Present)



ART. 1001216940

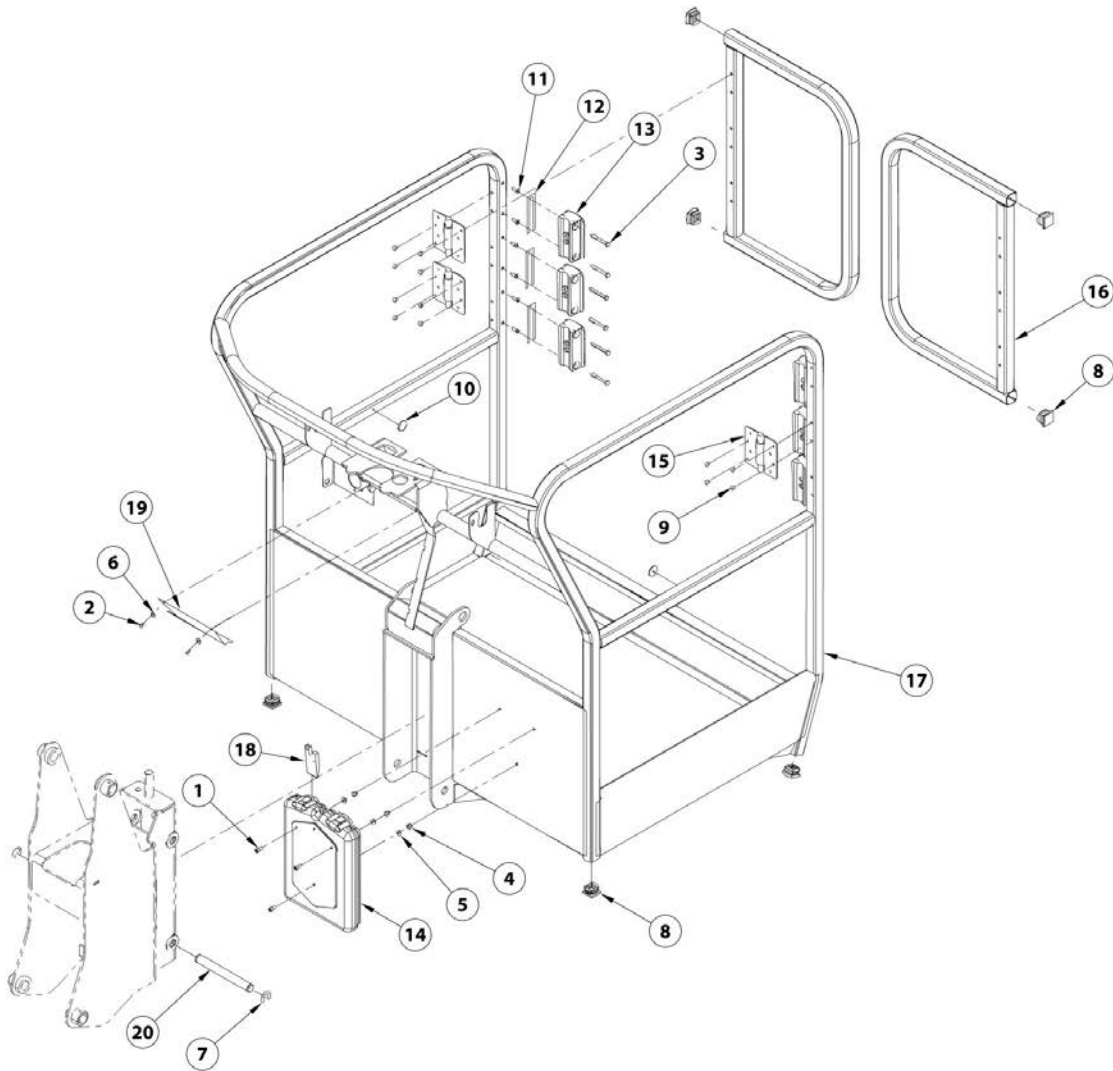
SECTION 6 - PLATFORM INSTALL / INSTALLATION PLATE-FORME

FIGURE 6-2. PLATFORM INSTALL WITH SALOON GATES / INSTALLATION PLATE-FORME AVEC PORTE SALOON (SN A300058355 to Present)

ITEM	PART NUMBER	QTY	DESCRIPTION	REV
	1001216940	Ref	INSTALL,PLATFORM WITH SALOON GATES / INSTALLATION PLATE-FORME AVEC PORTES SALOON (SN A300058355 to Present)	B
1	000014	3	M06x12 8.8 SOCKET HEAD MACH SCREW / VIS CHC M06x12 8.8 BI FT	
2	000090	2	M04x08 8.8 SOCKET HEAD MACH SCREW / VIS CHC M04x08 8.8 BI FT	
3	100013	12	M06x50 8.8 HEX HEAD CAPSCREW / VIS H M06X50 8.8 BI FP	
4	100054	3	M08x16 8.8 HEX HEAD MACHINE SCREW / VIS H M08x16 8.8 BI FT	
5	110003	3	M06 GR. 8.8 LOCK NUT / ECROU FREIN M6 CL08 BI	
6	110022	1	M08 GR. 8.8 FLAT HEX NUT / ECROU Hm M08 CL04 ZI	
7	120009	3	LOCK WASHER D06x14 / RONDELLE CONTACT dD 06x14 BI	
8	120024	2	LOCK WASHER D04x10 / RONDELLE CONTACT M4 BI	
9	400099	8	CAP,TUBE / BOUCHON TUBE	
10	3340962	2	PAD,ARM REST / BUTEE D'ARRET	
11	1001258232	12	RIVET,NUT M6 / ECROU RIVET M6	
12	1001263939	6	SHIM,SSV-10 PLATFORM GATE / CALE PORTE PANIER	
13	4220309	6	STOP,SWING GATE / BUTEE PORTE PIVOTANTE	
14	8990147	1	HOLDER, MANUAL / BOITE PORTE-DOCUMENTS	
15	1001216938	1	PLATFORM,SALOON GATES / PLATE-FORME A PORTE SALOON	
16	2080040	24	HUCK MAGNALOK BLIND FASTENER / ATTACHE BORGNE	
17	2600281	6	HINGE,SELF CLOSING STAINLESS / CHARNIERE INOX FERMETURE AUTOMATIQUE	
18	DL0886	2	GATE,PLATFORM / PORTE PLATE-FORME	
19	ST2741	1	SHIM, CHECKING / CALE DE VERIFICATION	
20	ST3234	1	PLATE,CONNECTOR BOX COVER / CARTER CONNECTEURS BOITIER	
21	US0236	1	SCREW, ADJUSTMENT / SCREW, ADJUSTMENT	
22	120003	4	M20 WASHER D20x37 / RONDELLE D20X37	
23	130029	4	CIRCLIP,BENZING / CIRCLIP	
24	150061	6	BEARING,3204-2RS / ROULEMENT A BILLE, DOUBLE RANGEE 3204	
25	160033	1	SPRING,OVERLOAD G 40-51 / RESSORT DE COMPRESSION	
26	PC0468	1	HARNESS, LOAD SENSING SWITCH / FAISCEAU CAPTEUR DE SURCHARGE	
27	US0531	2	WASHER-SPEC,D8XD37XTH.3 / RONDELLE D8xD37xEP3	
28	US0570	2	PIN,BEARING MOUNT / AXE ROULEMENT	

SECTION 6 - PLATFORM INSTALL / INSTALLATION PLATE-FORME

FIGURE 6-3. PLATFORM INSTALL W/O LSS SALOON GATES / INSTALLATION PLATE-FORME SANS SURCHARGE A PORTE SALOON (Prior to SN A300058355)



REV 160121

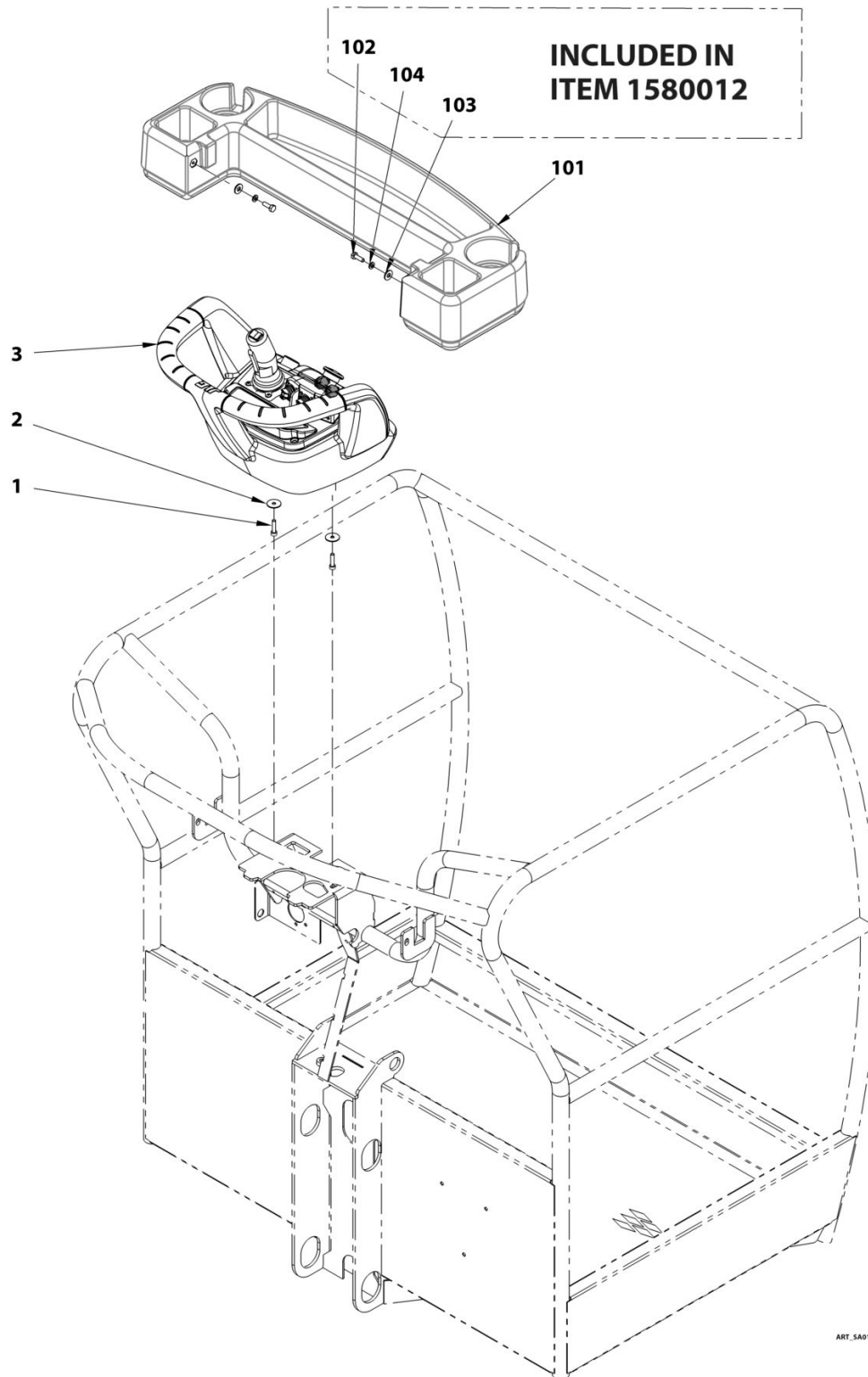
SECTION 6 - PLATFORM INSTALL / INSTALLATION PLATE-FORME

FIGURE 6-3. PLATFORM INSTALL W/O LSS SALOON GATES / INSTALLATION PLATE-FORME SANS SURCHARGE A PORTE SALOON (Prior to SN A300058355)

ITEM	PART NUMBER	QTY	DESCRIPTION	REV
0	SA0125	Ref	PLATFORM, SWING GATES (W/O LSS) / PANIER, PORTES PIVOTANTES (SANS SURCHARGE) (Prior to SN A300058355)	B
1	000014	3	M06X12 8.8 SOCKET HEAD MACHSCREW / VIS CHC M06x12 8.8 BI FT	
2	000090	2	M04X08 8.8 SOCKET HEAD MACHSCREW / VIS CHC M04x08 8.8 BI FT	
3	100013	12	M06x50 8.8 HEX HEAD CAPSCREW / VIS H M06X50 8.8 BI FP	
4	110003	3	LOCK NUT H M6 GR08 / ECROU FREIN M6 CL08 BI	
5	120009	3	LOCK WASHER D06X14 / RONDELLE CONTACT dD 06x14 BI	
6	120024	2	LOCK WASHER D04X10 / RONDELLE CONTACT M4 BI	
7	130029	2	CIRCLIP BENZING / CIRCLIP	
8	400099	8	CAP, TUBE / BOUCHON TUBE	
9	2080040	24	HUCK MANGALOK FASTENER / ATTACHE BORGNE	
10	3340962	2	PAD, ARM REST / BUTEE D'ARRET	
11	3820037	12	RIVET, NUT M6 / ECROU RIVET M6	
12	4071095	6	SHIM, SSV-10 PLATFORM GATE / CALE PORTE PANIER	
13	4220309	6	STOP, SWING GATE / BUTEE PORTE PIVOTANTE	
14	8990147	1	HOLDER MANUAL / BOITE PORTE-DOCUMENTS	
15	2600281	6	HINGE, SELF CLOSING STAINLESS / CHARNIERE INOX FERMETURE AUTOMATIQUE	
16	DL0886	2	GATE, PLATFORM / PORTE PANIER	
17	DL0900	1	PLATFORM WELDMENT W/O LSS / PANIER SANS SURCHARGE	
18	ST2741	1	SHIM, CHECKING / CALE DE VERIFICATION	
19	ST3234	1	PLATE, CONNECTOR BOX COVER / CARTER CONNECTEURS BOITIER	
20	US0578	1	PIN, PLATFORM SUPPORT / AXE SUPPORT PANIER	

SECTION 6 - PLATFORM INSTALL / INSTALLATION PLATE-FORME

FIGURE 6-4. CONSOLE AND CONTAINER INSTALL / INSTALLATION BOITIER DE COMMANDE ET BOITE A OUTIL



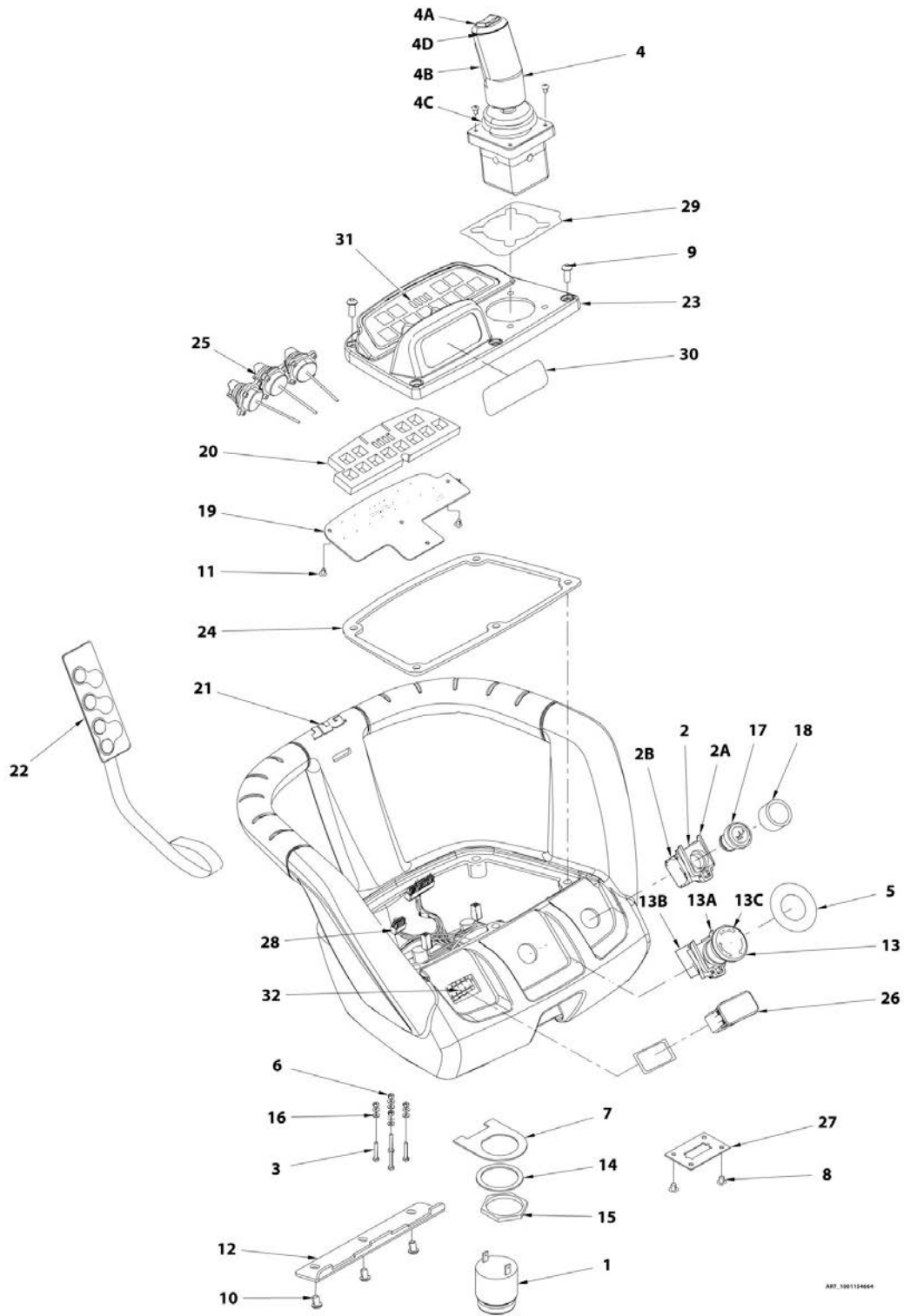
SECTION 6 - PLATFORM INSTALL / INSTALLATION PLATE-FORME

FIGURE 6-4. CONSOLE AND CONTAINER INSTALL / INSTALLATION BOITIER DE COMMANDE ET BOITE A OUTIL

ITEM	PART NUMBER	QTY	DESCRIPTION	REV
		Ref	CONSOLE AND CONTAINER INSTALL; INFO - SP0965 / INSTALLATION BOITIER DE COMMANDE ET BOITE A OUTIL; INFO - SP0965	
0	SA0121	Ref	INSTALL, PLATFORM CONSOLE / ASSEMBLAGE BOITIER DE COMMANDE	
1	000008	2	M06x25 8.8 SOCKET HEAD MACH SCREW / VIS CHC M06x25 8.8 BI FT	
2	120004	2	D06X25 LARGE WASHER / RONDELLE dD 06x25x1.2 BI	
3	1001154664	1	ELEC ASSY, PLATFORM CONTROL BOX; INFO - 1001154664 / ASSEMBLAGE ELECTRIQUE, BOITIER DE COMMANDE PANIER; INFO - 1001154664	
100	SA0020	Ref	INSTALL, CONTAINER STORAGE TRAY / INSTALLATION BOITE A OUTILS	B
101	1580012	1	CONTAINER, STORAGE TRAY / BOITE A OUTILS	
102	0641406	2	HEX HD CAPSCREW, 1/4-20 x 3/4 LG / VIS H 1/4-20 x 3/4 LG	
103	4751400	2	WASHER, 1/4" DIA PLAIN STL., WIDE / RONDELLE LARGE D, 1/4"	
104	4761400	2	WASHER, 1/4" DIA ZINC PLT LOCK / RONDELLE FREIN D, 1/4" BI	

SECTION 6 - PLATFORM INSTALL / INSTALLATION PLATE-FORME

FIGURE 6-5. PLATFORM CONSOLE ASSEMBLY / ASSEMBLAGE BOITIER HAUT



ART. 100134664

SECTION 6 - PLATFORM INSTALL / INSTALLATION PLATE-FORME

FIGURE 6-5. PLATFORM CONSOLE ASSEMBLY / ASSEMBLAGE BOITIER HAUT

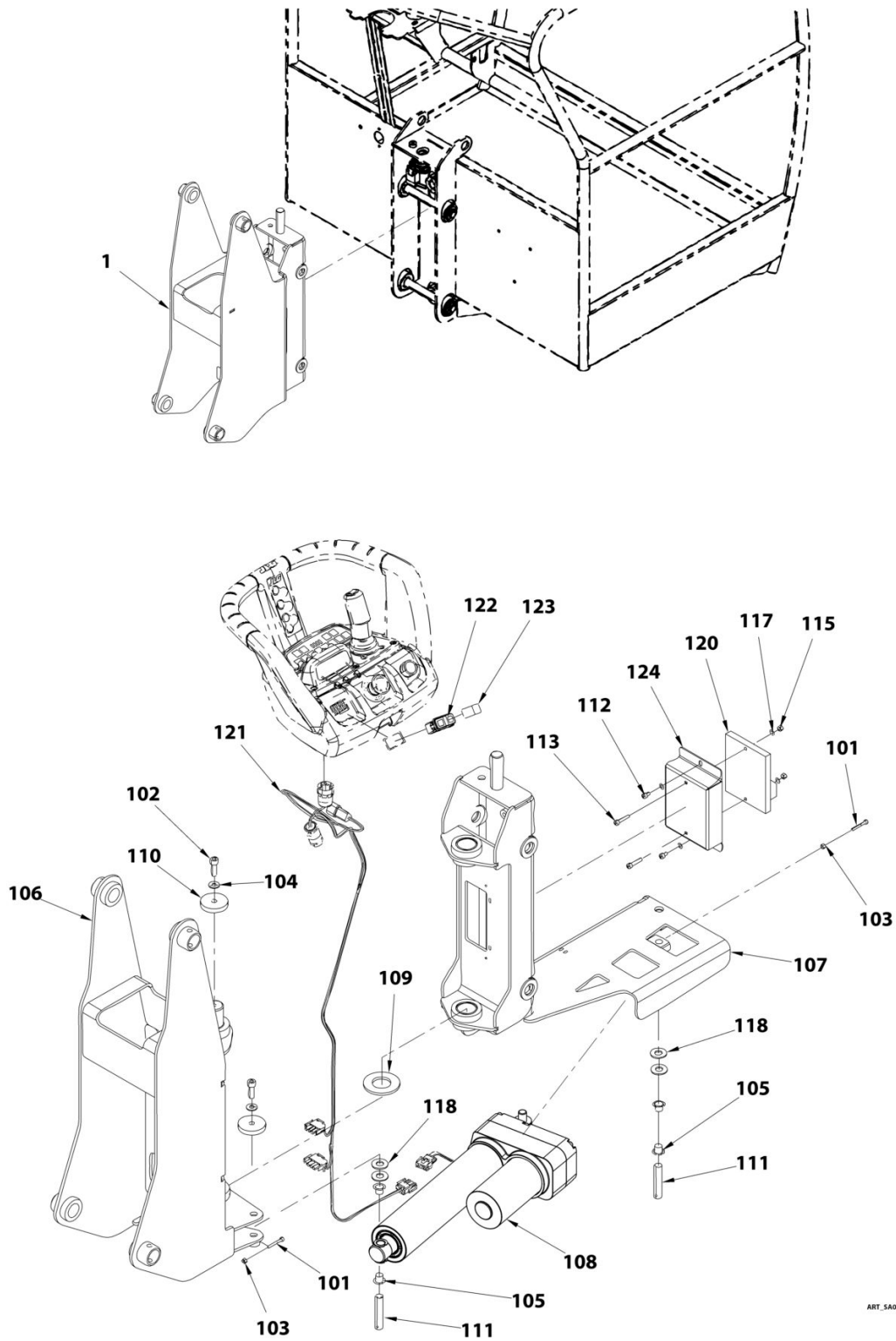
ITEM	PART NUMBER	QTY	DESCRIPTION	REV
	1001154664		ELEC ASSY PLATFORM CONTROL BOX / BOITIER HAUT	
1	0140011	1	ALARM, WARNING / AVERTISSEUR SONORE	
2	240056	1	SWITCH, NO CONTACT BASE / EMBASE CONTACT NO	
2A	240076	1	SWITCH BASE / EMBASE CONTACT	
2B	240058	1	NO CONTACT BLOC / CONTACT NO	
3	0760310	4	M03X20 8.8 HEX HD CAP SCREW / VIS H M03X20 8.8 BI FT	
4	1600458	1	CONTROLLER, JOYSTICK WITH ROCKER / JOYSTICK	
4A	70000084	1	CAP, RUBBER BOOT / PROTECTION CAHOUTCHOU	
4A	7027365	1	ACTUATOR HANDLE / ACTIONNEUR A BASCULE	
4B	7027367	1	SWITCH ENABLER / CONTACT VALIDATION	
4B	7027765	1	LEVER ENABLER / GACHETTE VALIDATION	
4C	70000682	1	RUBBER BELLOWS / SOUFFLET CAHOUTCHOU	
4D	7027766	1	BOOT RETAINING RING / ANNEAU DE BLOCAGE	
5	1706898	1	DECAL, EMS / AUTOCOLLANT ARRET D'URGENCE	
6	3290305	4	M03 GR08 LOCK NUT / ECROU FREIN M03 CL08 BI	
7	3575796	1	PLATE, D SLOT / PLAQUE ANTI-ROTATION	
8	3820019	4	RIVET, POP D4.75 L11.4 / RIVET POP D4.75 L11.4	
9	3900357	5	M06x16 10.9 BUTTON HEAD MACH SCREW / VIS BOMBEE ULF M06x16 10.9 BI FT	
10	3900358	3	M06x10 10.9 BUTTON HEAD MACH SCREW / VIS BOMBEE ULF M06x10 10.9 BI FT	
11	3900359	3	M04x10 10.9 BUTTON HEAD MACH SCREW / VIS BOMBEE ULF M04x06 10.9 BI FT	
12	4340871	1	MOUNT, PLATFORM CONTROL BOX / BRIDE RENFORT	
13	4360562	1	SWITCH, E-STOP / ARRET D'URGENCE COMPLET	
13A	240076	1	SWITCH BASE / EMBASE CONTACT	
13B	240057	1	NC CONTACT BLOC / CONTACT NC	
13C	240060	1	TURN TO RELEASE KNOB / BOUTON ARRET D'URGENCE 1/4 TOUR	
14	4460496	1	TERMINAL, LOCK WASHER / RONDELLE CONNECTEUR DEUTSCH	
15	4460497	1	TERMINAL, NUT / ECROU CONNECTEUR DEUTSCH HD30	
16	1001110544	8	WASHER, 3MM NORM OD / RONDELLE M03	
17	1001115919	1	SWITCH PUSH BUTTON-ENABLE / BP DE VALIDATION	
18	1001117177	1	SWITCH NEOPRENE BOOT / CAPUCHON D'ETANCHEITE NEOPRENE	
19	1001152692	1	CONTROLLER, PLATFORM MODULE / CARTE BOITIER HAUT	
20	1001154560	1	SEAL, FORM SPACER GASKET / JOINT MOUSSE	
21	1001154615	1	BOX, PLATFORM CONSOLE / BOITIER HAUT	
22	1001154753	1	SWITCH, MEMBRANE PAD / INTERRUPTEURS A MEMBRANE	
23	1001155321	1	PLATE, CONSOLE COVER / FACADE BOITIER HAUT	
24	1001155328	1	SEAL, CONSOLE BOX LID / JOINT FACADE BOITIER HAUT	
25	1001155354	3	THUMB JOYSTICK / MINI JOYSTICK	
26	1001155457	1	PLUG, SVR PANEL (CARLING) / BOUCHON INTERRUPTEUR ROTATION	
27	ST3312	1	PLATE, PLUG MOUNT / PLATINE MONTAGE CONNECTEUR	
28	1001152082	1	HARNESS PLATFORM CONTROLL / FAISCEAU BOITIER HAUT	
29	1001155460	1	DECAL, DRIVE AND SWING JOYSTICK / AUTOCOLLANT JOYSTICK TRANSLATION	
30	1001155461	1	DECAL, JIB, TELE MAST JOYSTICK / AUTOCOLLANT MINI JOYSTICKS	
31	1001155462	1	DECAL, LIGHT PANEL ICON DISPLAY / AUTOCOLLANT	

SECTION 6 - PLATFORM INSTALL / INSTALLATION PLATE-FORME

ITEM	PART NUMBER	QTY	DESCRIPTION	REV
32	1001155745	1	INDICATEURS BOITIER HAUT PLATFORM EMS HARNESS / FAISCEAU ARRET D'URGENCE BOITIER HAUT	

SECTION 6 - PLATFORM INSTALL / INSTALLATION PLATE-FORME

FIGURE 6-6. PLATFORM SUPPORT INSTALL / INSTALLATION SUPPORT PLATE-FORME



ART_5A0140

SECTION 6 - PLATFORM INSTALL / INSTALLATION PLATE-FORME

FIGURE 6-6. PLATFORM SUPPORT INSTALL / INSTALLATION SUPPORT PLATE-FORME

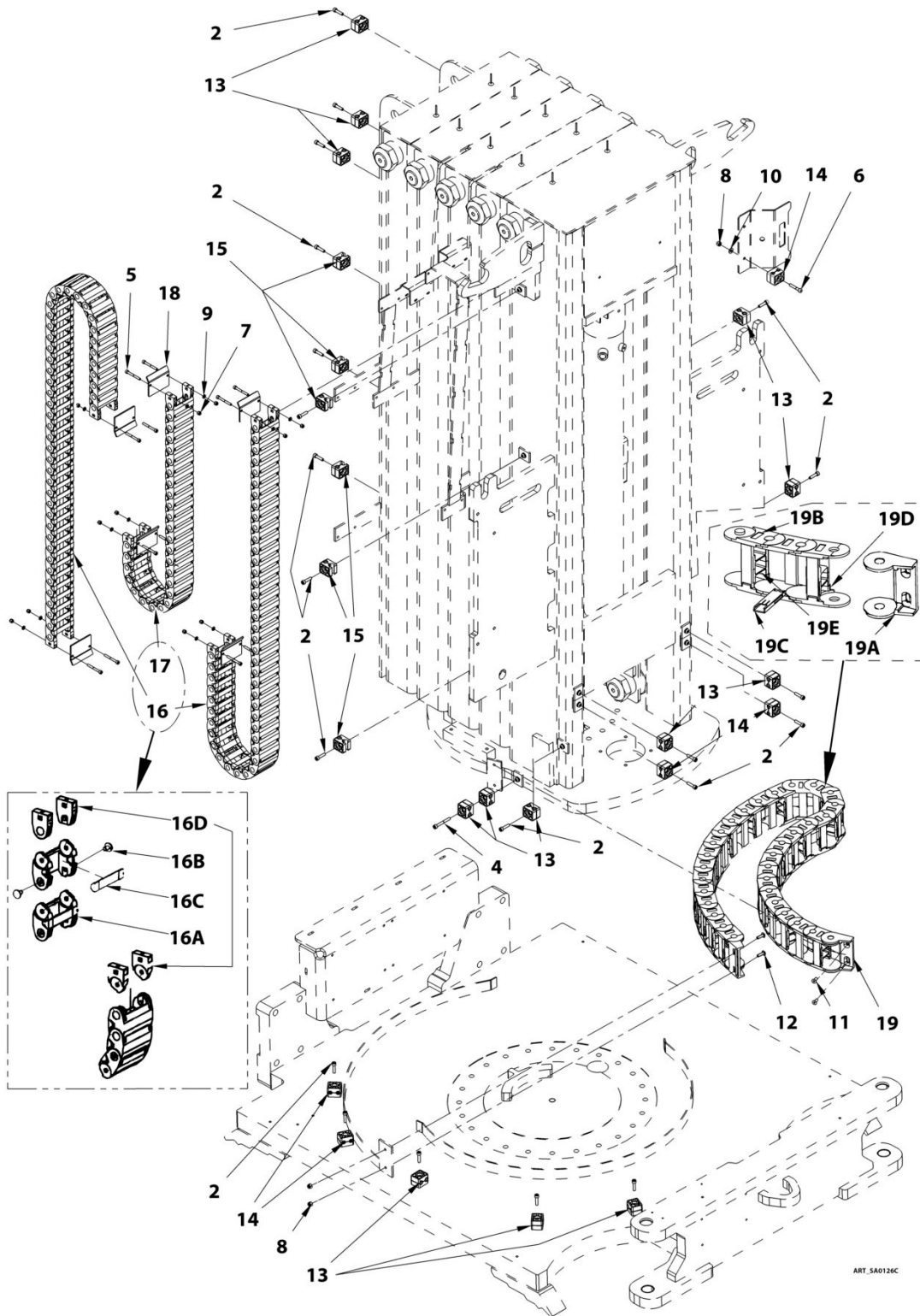
ITEM	PART NUMBER	QTY	DESCRIPTION	REV
		Ref	PLATFORM SUPPORTS; INFO - SP0966 / SUPPORTS PLATE-FORME; INFO - SP0966	
0	SA0140	Ref	PLATF SUPPORT W/O ROTATION / SUPPORT PLATE-FORME SANS ROTATION	A
1	DL0901	1	PLATF.SUPPORT W/O ROTATION / SUPPORT PLATEFORME SANS ROTATION	
100	SA0141	Ref	PLATF SUPPORT W/ ROTATION / SUPPORT PLATE-FORME AVEC ROTATION	C
101	000007	2	M04x30 8.8 SOCKET HEAD CAPSCREW / VIS CHC M04x30 8.8 BI FP	
102	000053	2	M08x25 8.8 SOCKET HEAD MACHSCREW / VIS CHC M08x25 8.8 BI FT	
103	110001	2	M04 GR08 LOCK NUT / ECROU FREIN M4 CL08 BI	
104	120010	2	dD 08x18 LOCK WASHER / RONDELLE CONTACT dD 08x18 BI	
105	150038	4	BEARING, FLANGE D12xL12 / BAGUE EPAULEE D12 L12	
106	DL0882	1	SUPPORT LEVEL CORRECTION ROT OPT / SUPPORT CORRECTION DE NIVEAU OPTION ROTATION	
107	DL0883	1	SUPPORT PLATFORM, ROT OPT / SUPPORT PLATE-FORME OPTION ROTATION	
108	1001228269	1	ACTUATOR,PLATFORM ROTATION / VERIN,ROTATION PLATE-FORME	
109	US0134	1	PAD, WASHER D31x60X4 / PATIN, RONDELLE D31x60x4	
110	US0469	2	WASHER, STOP / RONDELLE, BUTEE	
111	US0582	2	PIN, D12 L65 / AXE, D12 L65	
112	000089	2	M05x08 8.8 SOCKET HEAD MACHSCREW / VIS CHC M08x8 8.8 BI FT	
113	000095	2	M05x25 8.8 SCOKET HEAD MACHSCREW / VIS CHC M08x25 8.8 BI FT	
115	110002	2	LOCK NUT H M5 8 / ECROU FREIN M5 CL08 BI	
117	120002	4	WASHER D05x10 / RONDELLE D05X10	
118	120015	4	LOCK WASHER D12x27 / RONDELLE CONTACT dD 12x27 BI	
120	1001159126	1	ELEC ASSY, PLATFORM ROTATE BOARD / CARTE ROTATION PLATE-FORME	
121	1001159127	1	HARNESS PLATFORM ROTATE / FAISCEAU ROTATION PANIER	
122	1001164530	1	SWITCH CARLING 8-POS / INTERRUPTEUR CARLING 8-POS	
123	AU2200	1	DECAL, ROTATE PLATFORM / AUTOCOLLANT, ROTATION PLATEFORME	
124	ST3684	1	COVER, ROTATION MODULE / COUVERCLE, MODULE ROTATION	

**SECTION 7 - POWER TRACKS AND CLAMPS INSTALL / INSTALLATION
CHAINES PORTE-CABLES**

**SECTION 7 - POWER TRACKS AND CLAMPS INSTALL /
INSTALLATION CHAINES PORTE-CABLES**

SECTION 7 - POWER TRACKS AND CLAMPS INSTALL / INSTALLATION CHAINES PORTE-CABLES

FIGURE 7-1. MAST POWER TRACK INSTALL / INSTALLATION CHAINES PORTE CABLES MAT



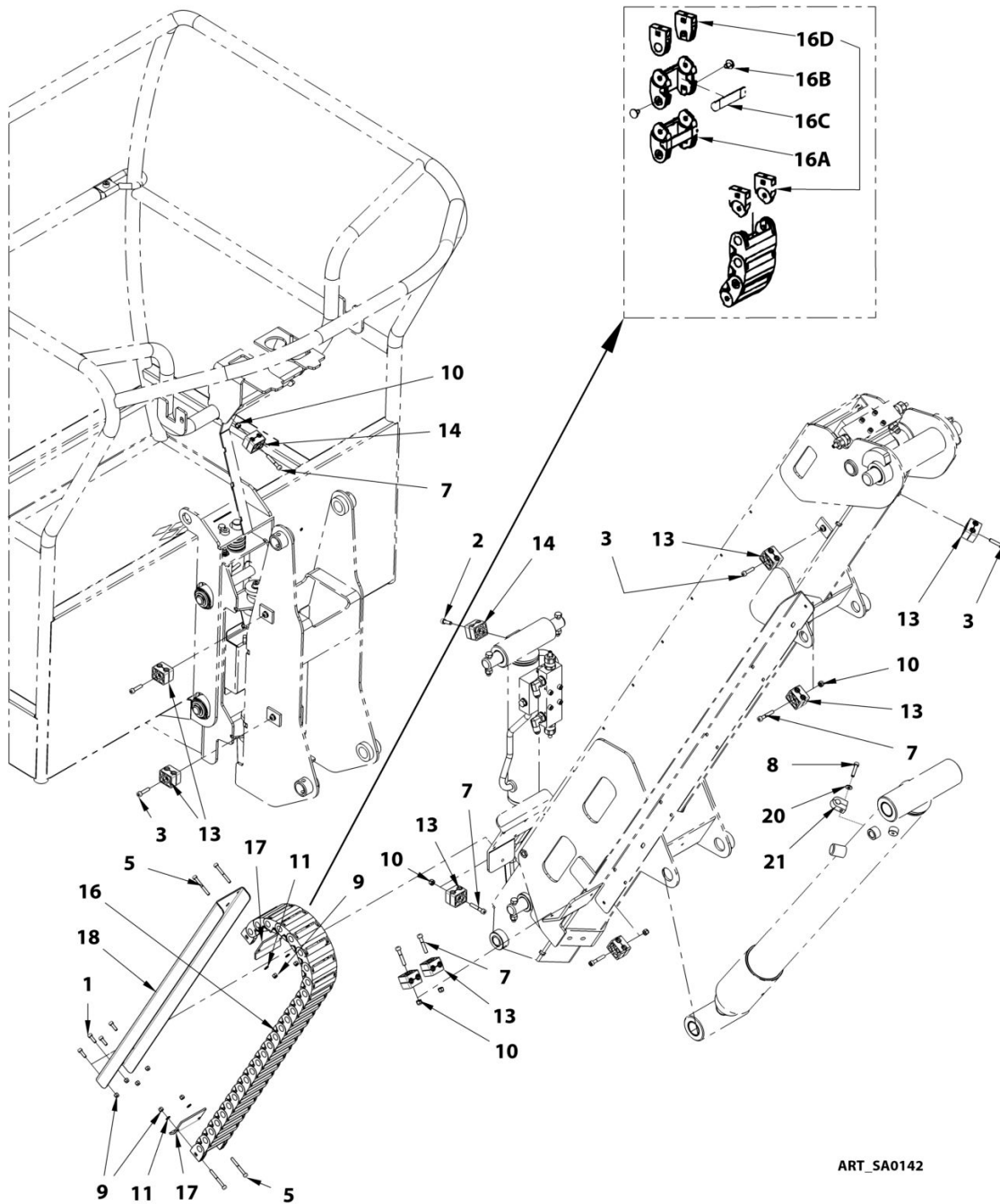
SECTION 7 - POWER TRACKS AND CLAMPS INSTALL / INSTALLATION CHAINES PORTE-CABLES

FIGURE 7-1. MAST POWER TRACK INSTALL / INSTALLATION CHAINES PORTE CABLES MAT

ITEM	PART NUMBER	QTY	DESCRIPTION	REV
0	SA0126	Ref	TURNTABLE AND MASTS POWER TRACKS / CHAINES PORTE CABLES TOURELLE ET MATS	C
2	000008	21	M06x25 8.8 SOCKET HEAD MACHSCREW / VIS CHC M06x25 8.8 BI FT	
4	000026	1	M06x50 8.8 SOCKET HEAD CAP SCREW / VIS CHC M06x50 8.8 BI FP	
5	000051	12	M05x45 8.8 SOCKET HEAD CAP SCREW / VIS CHC M05x45 8.8 BI FP	
6	000077	1	M06x35 8.8 SOCKET HEAD CAP SCREW / VIS CHC M06x35 8.8 BI FP	
7	110002	12	LOCK NUT H M5 GR8 / ECROU FREIN M5 CL08 BI	
8	110003	3	LOCK NUT H M6 GR8 / ECROU FREIN M6 CL08 BI	
9	120002	12	WASHER D05x10 / RONDELLE M05 BI	
10	120009	1	LOCK WASHER D06X14 / RONDELLE CONTACT dD 06x14 BI	
11	130003	2	FLAT HEAD SCREW, M6x16 / VIS FHC M06x16 8.8 BI FT	
12	130021	2	SCREW, ROUND HEAD M6x20 / VIS BOMBEE ULF M06x20 8.8 BI FT	
13	400018	13	CLAMP, TWIN 12-12 PP, PLK / COLLIER DOUBLE D12	
14	400037	5	CLAMP, TWIN 10-10 PP, PLK / COLLIER DOUBLE D10	
15	400092	6	CLAMP, TWIN 15-12 PP, PLK / COLLIER DOUBLE D12.7 / D15	
16	ST1326	2	POWER TRACK, SR305A/030. 44 LINKS / CHAINE PORTE-CABLES 44 MAILLONS	
16A	920042	x	POWER TRACKS LINK / MAILLON CHAINE PORTE-CABLES	
16B	920045	x	POWER TRACKS PIN PG305 / AXE CHAINE PORTE-CABLE PG305	
16C	920046	x	POWER TRACKS COVER / CAPOT CHAINE PORTE-CABLES	
16D	920073	x	POWER TRACKS ATTACHMENT KIT SR305 / KIT ATTACHES CHAINE PORTE CBL SR305	
17	ST1327	1	POWER TRACK, SR305A/030. 27 LINKS / CHAINE PORTE-CABLES 27 MAILLONS	
18	ST3219	6	PLATE, CABLES KEEPER / BRIDE DE CABLES	
19	ST3624	1	POWER TRACK, CIRCULAR POWERBRIDGE / CHAINE PORTE-CABLES CIRCULAIRE	
19A	920078	x	POWER TRACKS ATTACHMENT KIT / KIT ATTACHES CHAINE PORTE CABLE	
19B	920079	x	POWER TRACKS LINK / MAILLON CHAINE PORTE-CABLES	
19C	920080	x	POWER TRACKS COVER / CAPOT CHAINE PORTE-CABLES	
19D	920081	x	POWER TRACKS SPACER / ENTRTOISE CHAINE PORTE-CABLES	
19E	920082	x	POWER TRACKS SEPARATOR / SEPARATEUR CHAINE PORTE-CABLES	

SECTION 7 - POWER TRACKS AND CLAMPS INSTALL / INSTALLATION CHAINES PORTE-CABLES

FIGURE 7-2. BOOM POWER TRACK INSTALL / INSTALLATION CHAINES PORTE CABLES BRAS



ART_SA0142

SECTION 7 - POWER TRACKS AND CLAMPS INSTALL / INSTALLATION CHAINES PORTE-CABLES

FIGURE 7-2. BOOM POWER TRACK INSTALL / INSTALLATION CHAINES PORTE CABLES BRAS

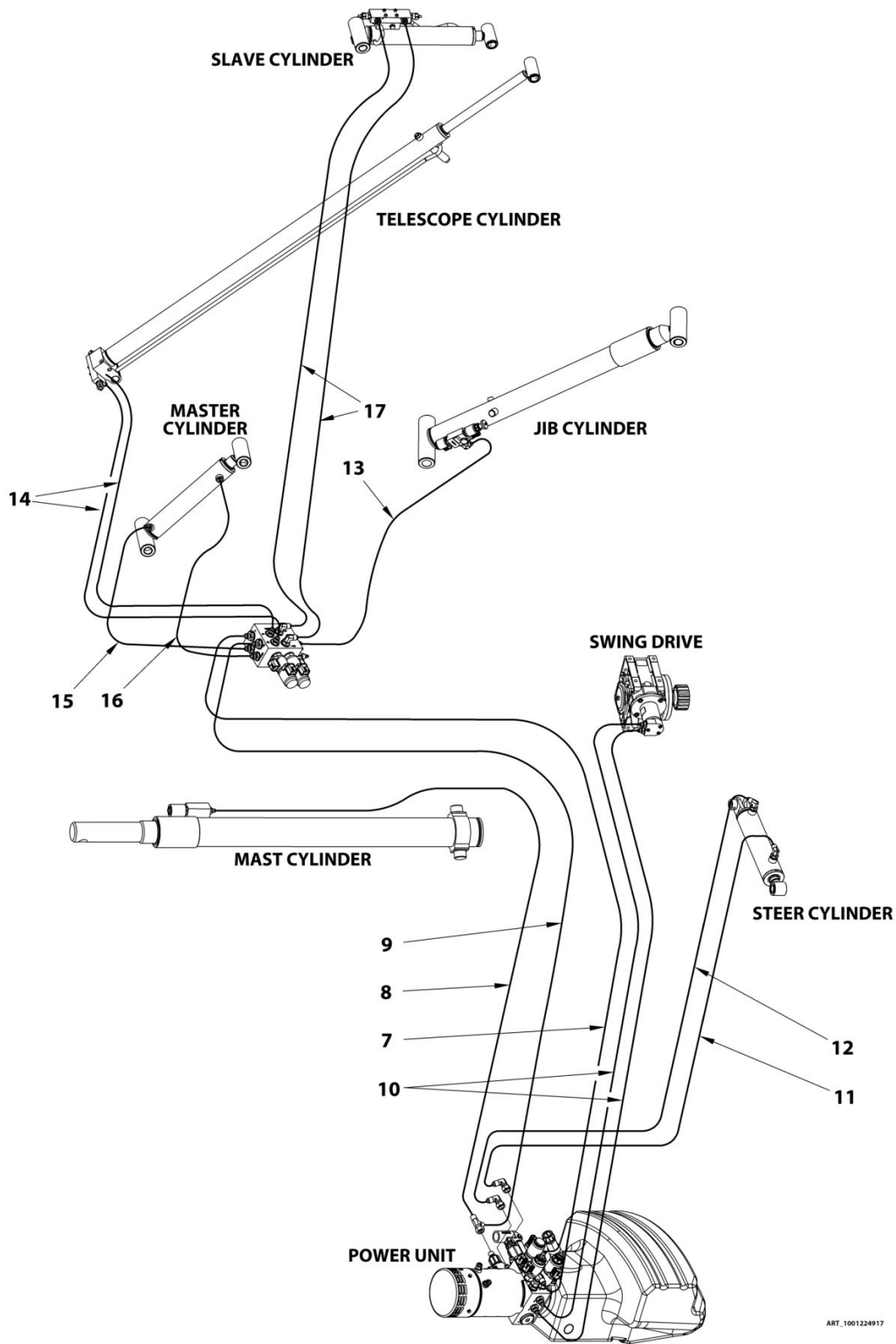
ITEM	PART NUMBER	QTY	DESCRIPTION	REV
	SA0142	Ref	POWER TRACK BOOM 12E/32E / CHAINE PORTE CABLES BRAS 12E/32E	E
	SA0143	Ref	POWER TRACK BOOM 12E PLUS / CHAINE PORTE CABLES BRAS 12E PLUS	D
1	000003	4	M05x16 8.8 SOCKET HEAD MACH SCREW / VIS CHC M05x16 8.8 BI FT	
2	000005	1	M06x20 8.8 SOCKET HEAD MACH SCREW / VIS CHC M06x20 8.8 BI FT	
3	000008	5	M06x25 8.8 SOCKET HEAD MACH SCREW / VIS CHC M06x25 8.8 BI FT	
5	000051	4	M05x45 8.8 SOCKET HEAD CAPSCREW / VIS CHC M05x45 8.8 BI FP	
7	000077	6	M06x35 8.8 SOCKET HEAD CAPSCREW / VIS CHC M06x35 8.8 BI FP	
9	110002	8	M05 GR08 LOCK NUT / ECROU FREIN M5 CL08 BI	
10	110003	6	M06 GR08 LOCK NUT / ECROU FREIN M6 CL08 BI	
11	120002	8	M05 WASHER / RONDELLE M05 BI	
13	400018	9	CLAMP, TWIN D12 / COLLIER DOUBLE D12	
14	400037	2	CLAMP, TWIN10-10PP BLK / COLLIER DOUBLE D10	
16	ST1327	1	12E,32E - POWER TRACK SR305A/030 27 LINKS / 12E,32E - CHAINE PORTE-CABLES 27 MAILLONS	
16	ST1326	1	12E PLUS - POWER TRACK SR305A/030 44 LINKS / 12E PLUS - CHAINE PORTE-CABLES 44 MAILLONS	
16A	920042	x	POWER TRACKS LINK / MAILLON CHAINE PORTE-CABLES	
16B	920045	x	POWER TRACKS PIN PG305 / AXE CHAINE PORTE-CABLE PG305	
16C	920046	x	POWER TRACKS COVER / CAPOT CHAINE PORTE-CABLES	
16D	920073	x	POWER TRACKS ATTACHMENT KIT SR305 / KIT ATTACHES CHAINE PORTE CBL SR305	
17	ST3219	2	PLATE, CABLE KEEPER / BRIDE DE CABLES	
18	ST3623	1	12E,32E - CHANNEL, POWER TRACK / 12E,32E - GOULOTTE CHAINE PORTE CABLE	
18	ST3575	1	12E PLUS - CHANNEL, POWER TRACK / 12E PLUS - GOULOTTE CHAINE PORTE CABLE	
20	120009	1	LOCK WASHER D06x14 / RONDELLE FREIN D06x14	
21	400047	1	CLAMP,SINGLE D12 PP / COLLIER SIMPLE D12	

SECTION 8 - HYDRAULIC INSTALL / INSTALLATION HYDRAULIQUE

SECTION 8 - HYDRAULIC INSTALL / INSTALLATION HYDRAULIQUE

SECTION 8 - HYDRAULIC INSTALL / INSTALLATION HYDRAULIQUE

FIGURE 8-1. HYDRAULIC INSTALL / INSTALLATION HYDRAULIQUE



ART_1001224917

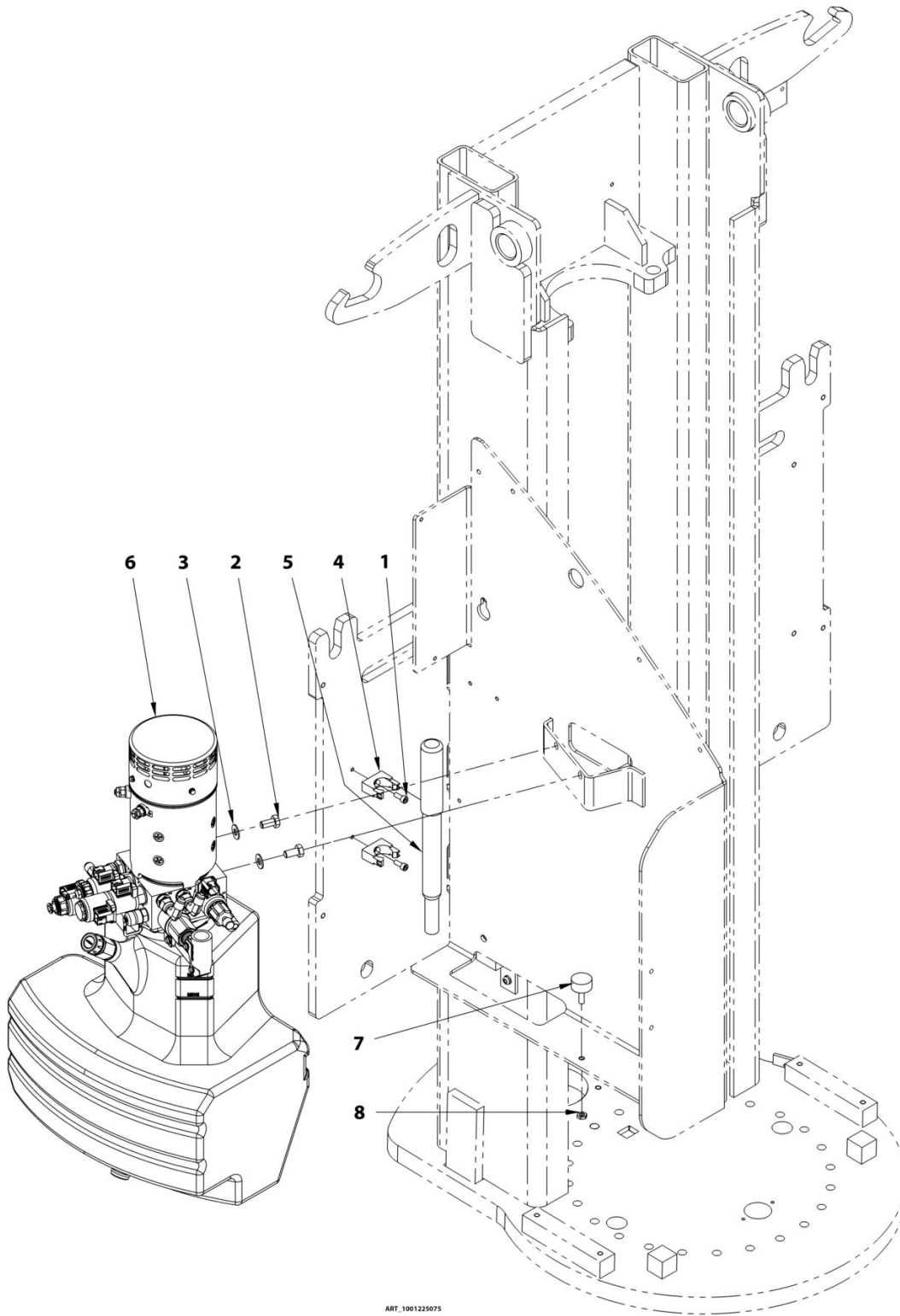
SECTION 8 - HYDRAULIC INSTALL / INSTALLATION HYDRAULIQUE

FIGURE 8-1. HYDRAULIC INSTALL / INSTALLATION HYDRAULIQUE

ITEM	PART NUMBER	QTY	DESCRIPTION	REV
	1001224917	1	12E,32E HOSES KIT / 12E,32E KIT FLEXIBLES	B
	1001224918	1	12E Plus HOSES KIT / 12E Plus KIT FLEXIBLES	B
7	1001224923	1	HOSE 3/8-1025CM-JIC FEM 9/16 / FLEXIBLE 3/8-1025CM-JIC FEM 9/16	
8	DF0994	1	HOSE 5/16-0233CM-JIC FEM 9/16 / FLEXIBLE 5/16-0233CM-JIC FEM 9/16	
9	DF0993	1	HOSE 5/16-1040CM-JIC FEM 9/16 / FLEXIBLE 5/16-1040CM-JIC FEM 9/16	
10	DF0989	2	HOSE 5/16-0159CM-JIC FEM 9/16 / FLEXIBLE 5/16-0159CM-JIC FEM 9/16	
11	1001224919	1	HOSE 1/4-0542CM-JIC FEM 9/16 / FLEXIBLE 1/4-0542CM-JIC FEM 9/16	
12	1001224920	1	HOSE 1/4-0525CM-JIC FEM 9/16 / FLEXIBLE 1/4-0525CM-JIC FEM 9/16	
13	1001237788	1	HOSE 5/16-0160CM-JIC FEM 9/16 / FLEXIBLE 5/16-0160CM-JIC FEM 9/16	
14	DF0996	2	HOSE 5/16-0179CM-JIC FEM 9/16-JIC FEM 9/16 90° / FLEXIBLE 5/16-0179CM-JIC FEM 9/16-JIC FEM 9/16 90°	
15	DF0997	1	FLEXIBLE 1/4-0114CM-JIC FEM 9/16-JIC FEM 9/16 90° / FLEXIBLE 1/4-0114CM-JIC FEM 9/16-JIC FEM 9/16 90°	
16	DF0998	1	HOSE 1/4-0102CM-JIC FEM 9/16 / FLEXIBLE 1/4-0102CM-JIC FEM 9/16	
17	1001224921	2	12E,32E - HOSE 5/16-0630CM-JIC FEM 9/16 / 12E,32E - FLEXIBLE 5/16-0630CM-JIC FEM 9/16	
17	1001224922	2	12E Plus - HOSE 5/16-0719CM-JIC FEM 9/16 / 12E Plus - FLEXIBLE 5/16-0719CM-JIC FEM 9/16	

SECTION 8 - HYDRAULIC INSTALL / INSTALLATION HYDRAULIQUE

FIGURE 8-2. TANK AND PUMP INSTALL / INSTALLATION CENTRALE



ART_1001225075

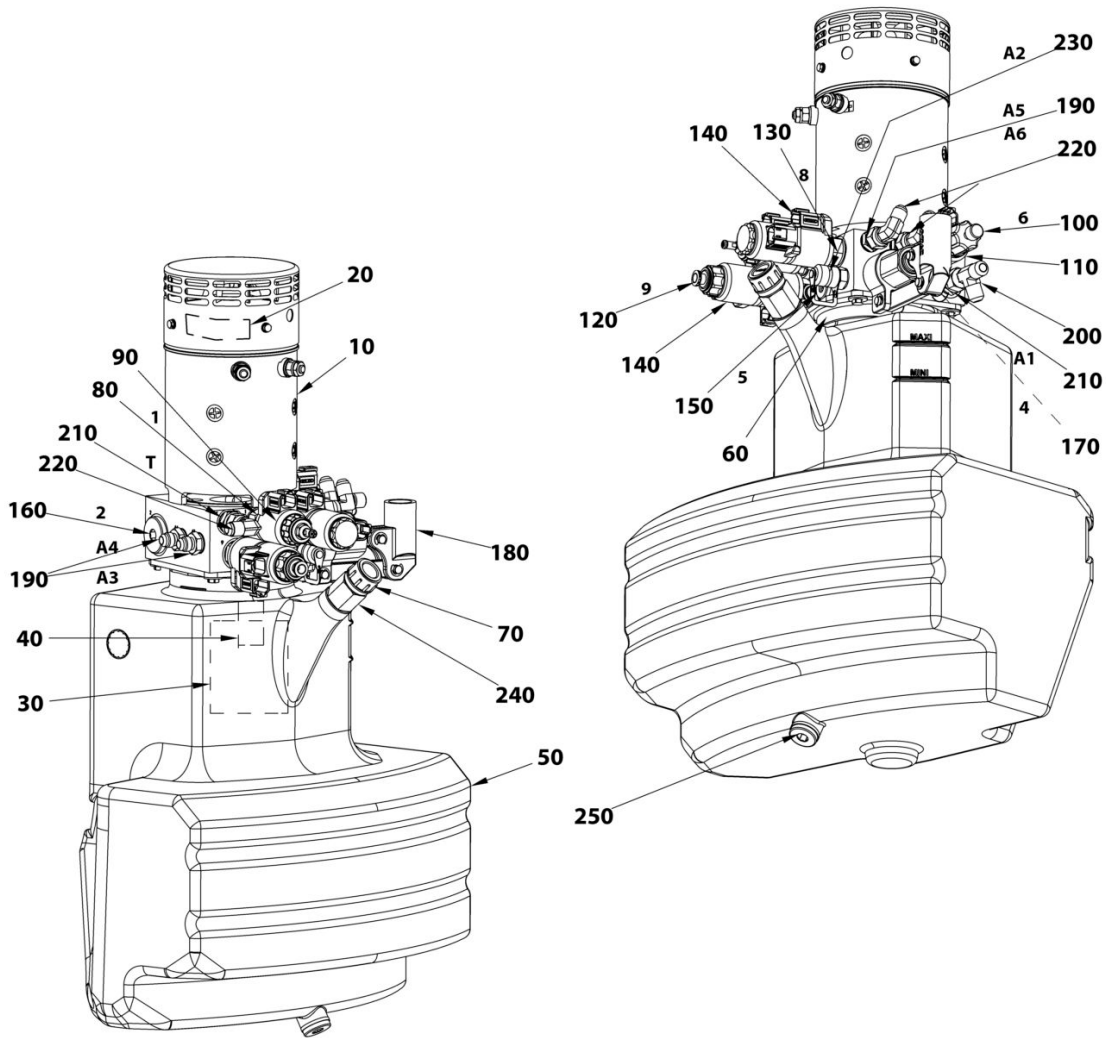
SECTION 8 - HYDRAULIC INSTALL / INSTALLATION HYDRAULIQUE

FIGURE 8-2. TANK AND PUMP INSTALL / INSTALLATION CENTRALE

ITEM	PART NUMBER	QTY	DESCRIPTION	REV
	1001225075	Ref	INSTALL,TANK AND PUMP / INSTALLATION CENTRALE	B
1	000014	2	M06x12 8.8 SOCKET HEAD MACH SCREW / VIS CHC M06x12 8.8 BI FT	
2	100156	2	M10x20 8.8 HEX HEAD MACHINE SCREW / VIS H M10x20 8.8 BI FT	
3	120011	2	LOCK WASHER D10x22 / RONDELLE CONTACT dD 10x22 BI	
4	190027	2	D22 CLIP / CLIP D22	
5	310109	1	LEVER,HAND PUMP / MANCHE POMPE À MAIN	
6	1001222242	1	PUMP,MOTOR/TANK ASSEMBLY / CENTRALE ASSEMBLEE	
7	400015	1	BUMPER,D30x15 / BUTEE ELASTIQUE D30x15	
8	110022	1	M08 GR. 04 FLAT HEX NUT / ECROU Hm M08 CL04 ZI	

SECTION 8 - HYDRAULIC INSTALL / INSTALLATION HYDRAULIQUE

FIGURE 8-3. PUMP, MOTOR-TANK ASSEMBLY / CENTRALE ASSEMBLEE



ART_1001222242

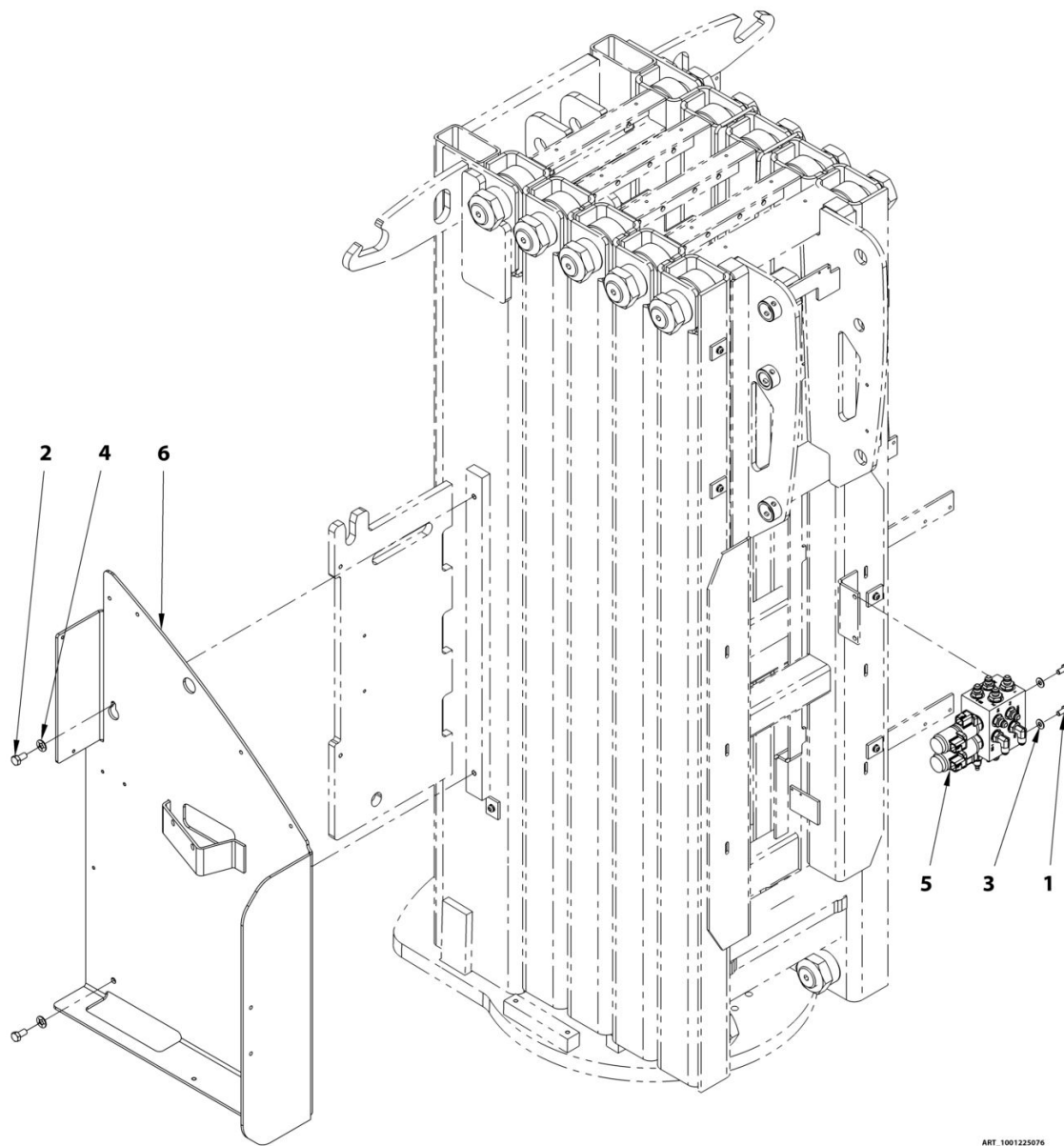
SECTION 8 - HYDRAULIC INSTALL / INSTALLATION HYDRAULIQUE

FIGURE 8-3. PUMP,MOTOR-TANK ASSEMBLY / CENTRALE ASSEMBLEE

ITEM	PART NUMBER	QTY	DESCRIPTION	REV
	1001222242	Ref	PUMP,MOTOR/TANK ASSEMBLY / CENTRALE COMPLETE	B
10	1001225134	1	MOTOR 48VDC / MOTEUR 48VDC	
20	1001225135	1	BRUSH KIT / JEU DE BALAIS	
30	1001225136	1	GEAR PUMP 42cc / POMPE 42cc	
40	1001225137	1	MOTOR/PUMP COUPLING / ACCOUPLEMENT MOTEUR/POMPE	
50	1001225138	1	RESERVOIR / RESERVOIR	
60	1001225139	1	RESERVOIR CLAMP / COLLIER RESERVOIR	
70	1001225141	1	BREATHER CAP / RENIFLARD	
80	1001225143	1	PROPORTIONAL PRESSURE RELIEF VALVE / LIMITEUR DE PRESSION PROPORTIONEL	
90	1001225144	1	COIL PROPORTIONAL VALVE / BOBINE LIMITEUR PROPORTIONEL	
100	1001225145	1	PROPORTIONAL FLOW CONTROL VALVE / REGULATEUR DE DEBIT PROPORTIONEL	
110	1001225146	1	COIL PROPORTIONAL FLOW VALVE / BOBINE REGULATEUR PROPORTIONEL	
120	1001225147	1	4/3 DIRECTIONAL VALVE-CLOSED CENTER / DISTRIBUTEUR 4/3 CENTRE FERME	
130	1001225148	1	4/3 DIRECTIONAL VALVE-CLOSED CENTER / DISTRIBUTEUR 4/3 CENTRE FERME	
140	1001225149	4	COIL 4/3 VALVE / BOBINE DISTRIBUTEUR 4/3	
150	1001225150	1	CHECK VALVE / LIMITEUR DE PRESSION	
160	1001225151	1	PRESSURE FILTER / FILTRE PRESSION	
170	1001225152	1	STRAINER / FILTRE	
180	1001223388	1	HAND PUMP / POMPE A MAIN	
190	300025	4	FITTING MALE BSPP1/4-MALE JIC9/16 / RACCORD MALE BSPP1/4-MALE JIC9/16	
200	300037	1	RUN TEE JIC 9/16 SWIVEL NUT / TE MALE JIC9/16-FEMELLE JIC9/16 TOUR.	
210	300040	2	FITTING MALE BSPP3/8 MALE JIC9/16 / RACCORD MALE BSPP3/8 MALE JIC9/16	
220	300067	3	90° ELBOW M JIC9/16 F JIC9/16 SWIVEL / COUDE Male JIC9/16 Fem JIC9/16 Tournant	
230	300101	1	PRESSURE TEST PLUG BSPP 1/4 / PRISE DE PRESSION BSPP1/4	
240	1001225140	1	BREATHER CAP ADAPTER / ADAPTEUR RENIFLARD	
250	1001225142	1	DRAINING CAP / BOUCHON DE VIDANGE	

SECTION 8 - HYDRAULIC INSTALL / INSTALLATION HYDRAULIQUE

FIGURE 8-4. CONTROL VALVE / BLOC HYDRAULIQUE



ART_1001225076

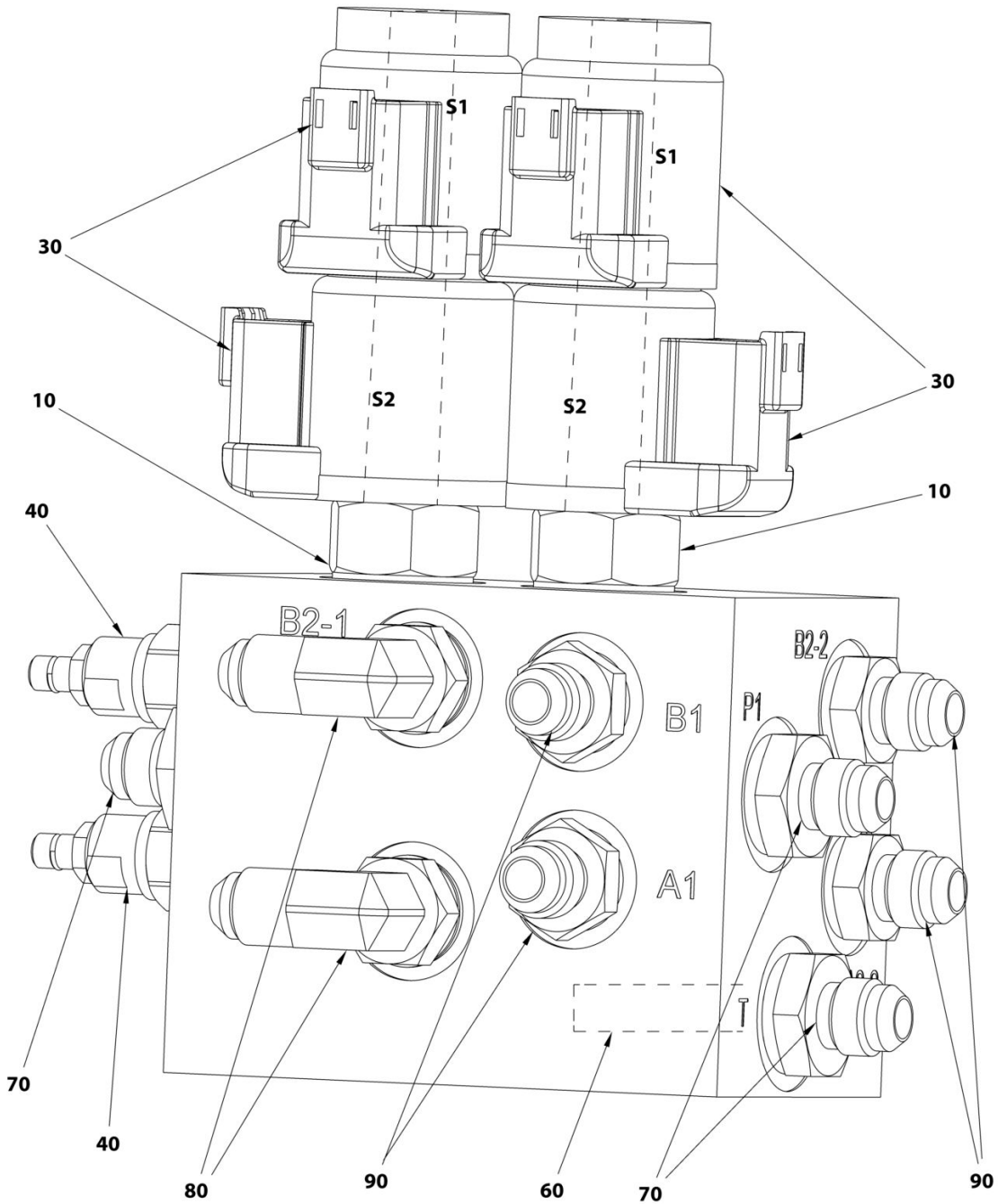
SECTION 8 - HYDRAULIC INSTALL / INSTALLATION HYDRAULIQUE

FIGURE 8-4. CONTROL VALVE / BLOC HYDRAULIQUE

ITEM	PART NUMBER	QTY	DESCRIPTION	REV
	1001225076	Ref	CONTROL VALVES INSTALL / INSTALLATION BLOC DISTRIBUTEUR	A
1	100054	2	M08x16 8.8 HEX HEAD MACHINE SCREW / VIS H M08x16 8.8 BI FT	
2	100156	2	M10x20 8.8 HEX HEAD MACHINE SCREW / VIS H M10x20 8.8 BI FT	
3	120010	2	LOCK WASHER D08x18 / RONDELLE CONTACT dD 08x18 BI	
4	120011	2	LOCK WASHER D10x22 / RONDELLE CONTACT dD 10x22 BI	
5	1001222243	1	MANIFOLD, TELESCOPE & LEVELLING / BLOC TELESCOPE ET CORRECTION	
6	1001223383	1	BRACKET, POWER UNIT MOUNT / TOLE SUPPORT CENTRALE	

SECTION 8 - HYDRAULIC INSTALL / INSTALLATION HYDRAULIQUE

FIGURE 8-5. MANIFOLD, TELESCOPE AND LEVELLING / BLOC TELESCOPE ET CORRECTION



ART_1001222243

SECTION 8 - HYDRAULIC INSTALL / INSTALLATION HYDRAULIQUE

FIGURE 8-5. MANIFOLD, TELESCOPE AND LEVELLING / BLOC TELESCOPE ET CORRECTION

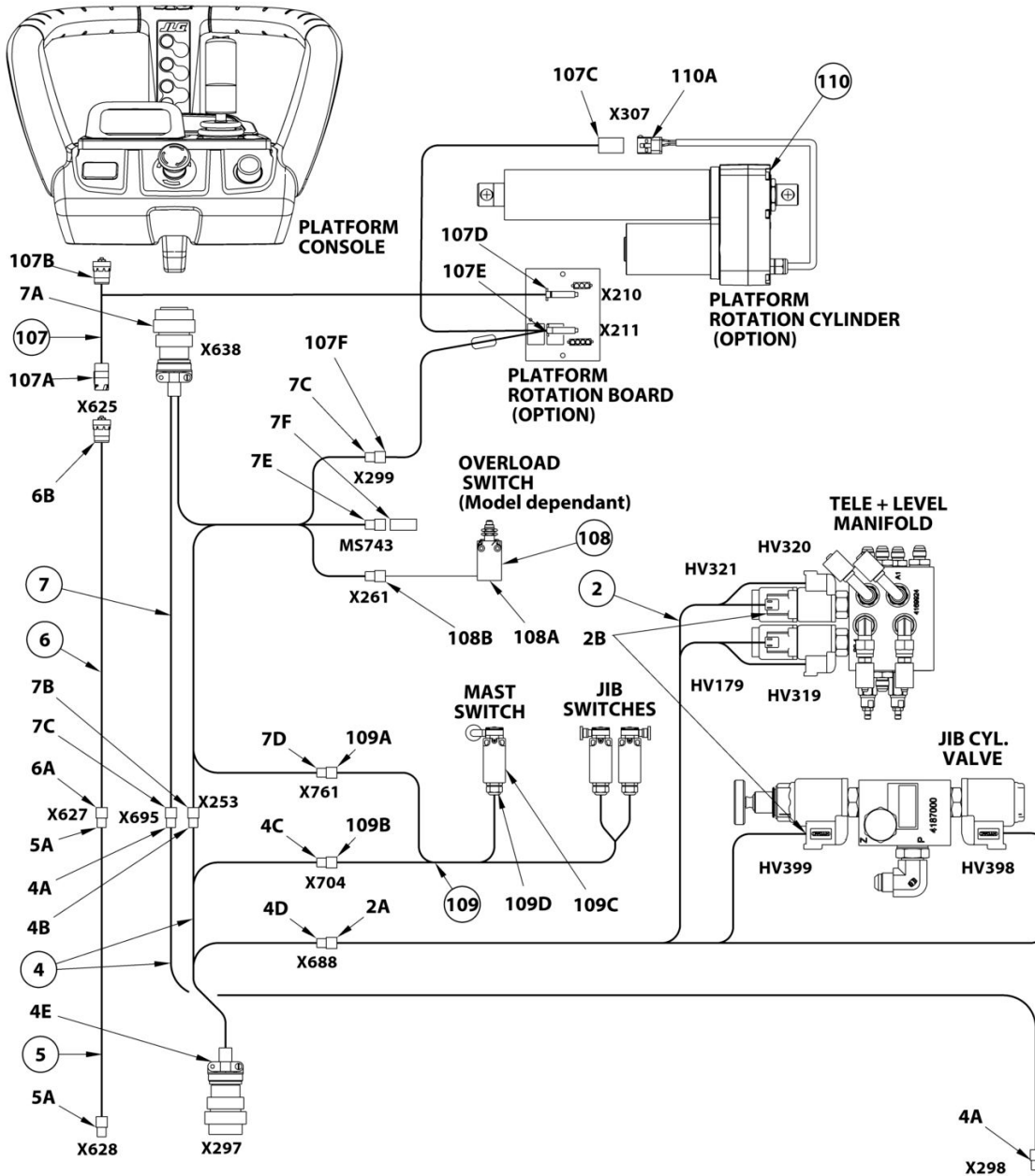
ITEM	PART NUMBER	QTY	DESCRIPTION	REV
	1001222243		MANIFOLD, TELESCOPE & LEVELLING / BLOC TELESCOPE ET CORRECTION	B
10	1001225153	2	4/3 DIRECTIONAL VALVE-OPEN CENTER / DISTRIBUTEUR 4/3 CENTRE OUVERT	
30	1001225149	4	COIL, 4/3 VALVE / BOBINE DISTRIBUTEUR 4/3	
40	1001225156	2	COUNTER BALANCE VALVE / VALVE D'EQUILIBRAGE	
60	1001225158	1	CHECK VALVE / LIMITEUR DE PRESSION	
70	300040	3	FITTING MALE BSPP3/8 MALE JIC9/16 / RACCORD MALE BSPP3/8 MALE JIC9/16	
80	300001	2	ADPT, 90 S JIC/BSPP 6-4 FG / COUDE 90° Male BSPP 1/4 -Male JIC 9/16	
90	300025	4	FITTING MALE BSPP1/4-MALE JIC9/16 / RACCORD MALE BSPP1/4-MALE JIC9/16	

SECTION 9 - ELECTRICAL SYSTEM INSTALL / INSTALLATION ELECTRIQUE

**SECTION 9 - ELECTRICAL SYSTEM INSTALL / INSTALLATION
ELECTRIQUE**

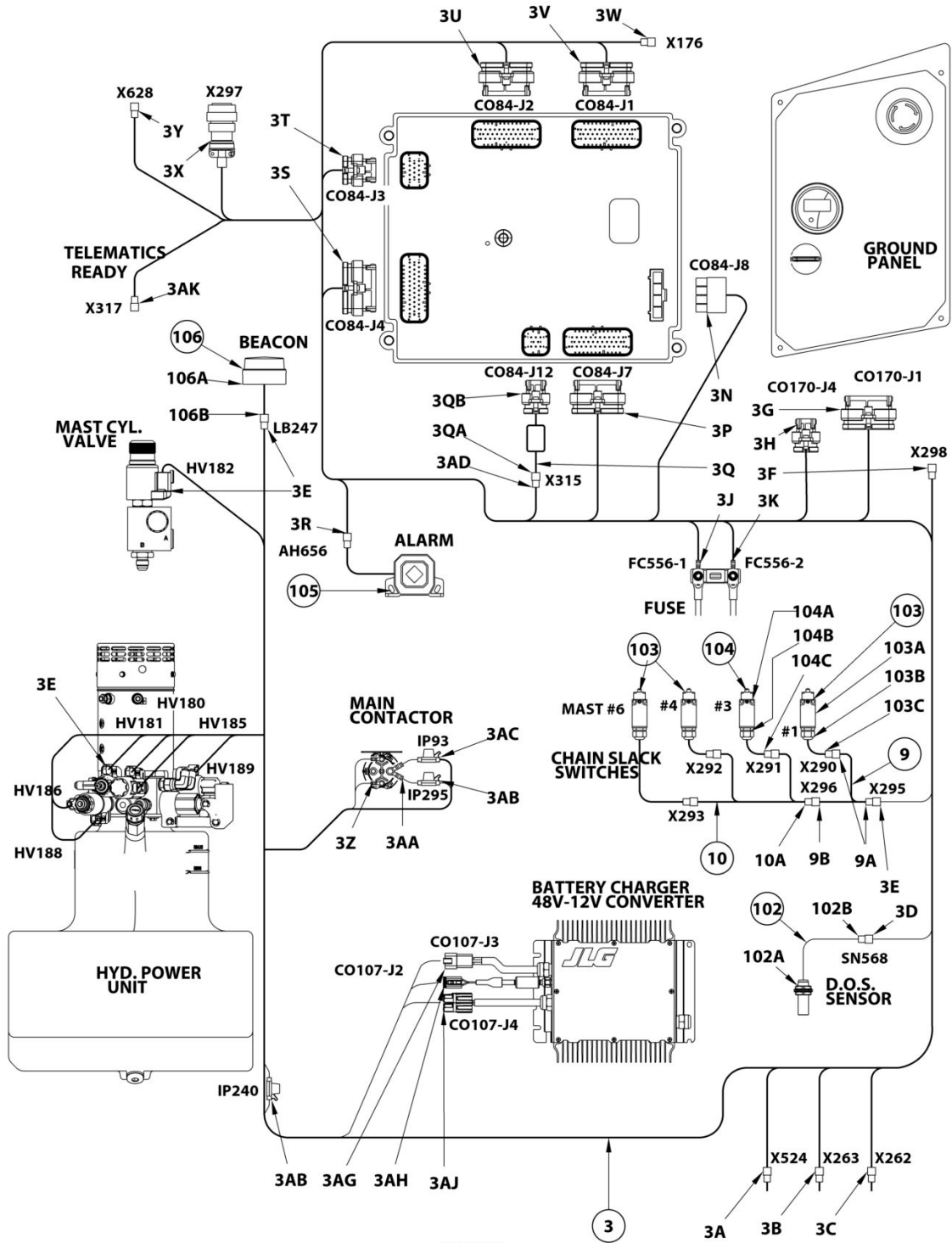
SECTION 9 - ELECTRICAL SYSTEM INSTALL / INSTALLATION ELECTRIQUE

FIGURE 9-1. CABLES INSTALL DIAGRAM / DIAGRAMME D'INSTALLATION CABLES

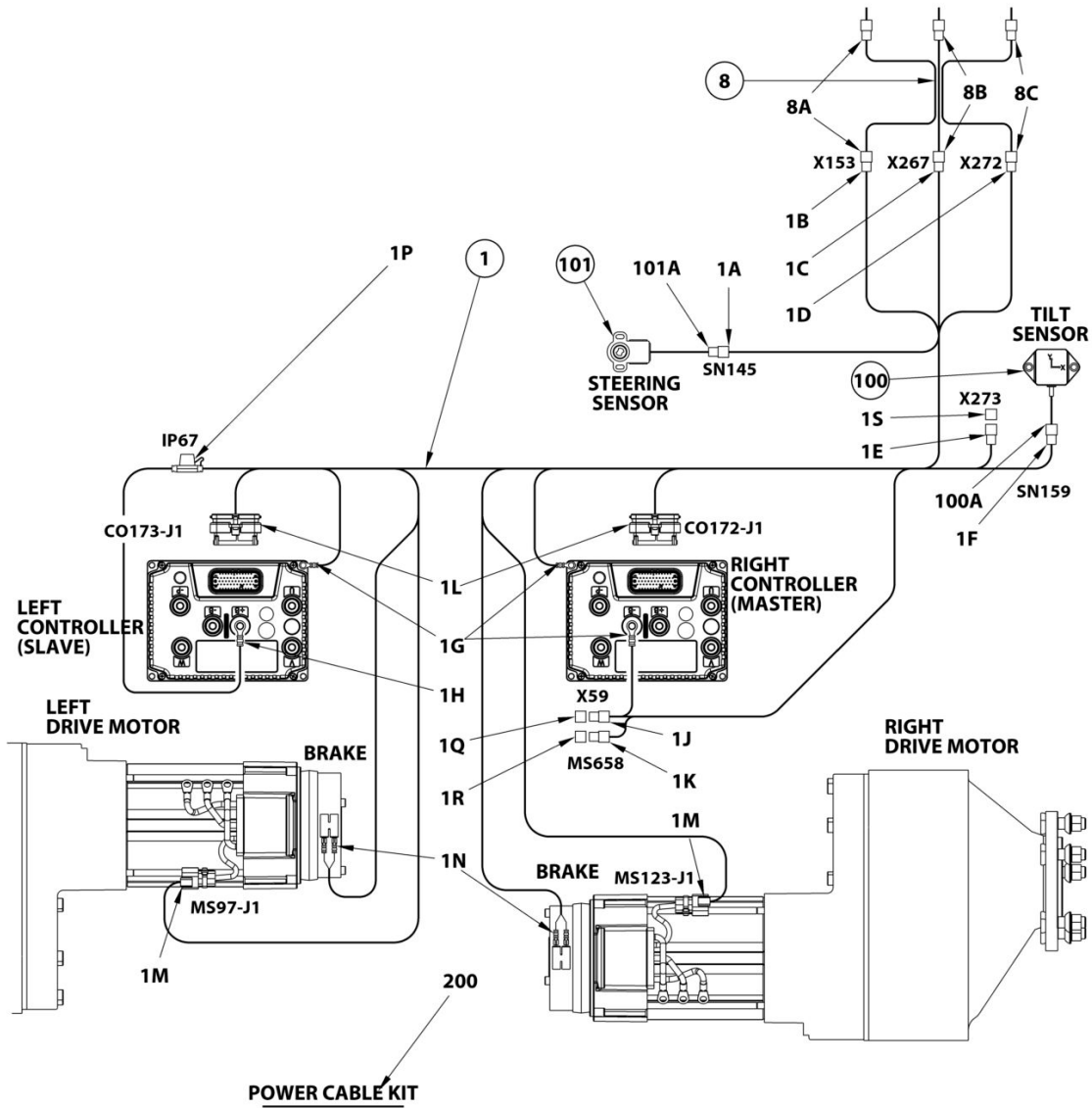


ART_1001224980A

SECTION 9 - ELECTRICAL SYSTEM INSTALL / INSTALLATION ELECTRIQUE



SECTION 9 - ELECTRICAL SYSTEM INSTALL / INSTALLATION ELECTRIQUE



ART_1001224980C

SECTION 9 - ELECTRICAL SYSTEM INSTALL / INSTALLATION ELECTRIQUE

FIGURE 9-1. CABLES INSTALL DIAGRAM / DIAGRAMME D'INSTALLATION CABLES

ITEM	PART NUMBER	QTY	DESCRIPTION	REV
0	1001224980	Ref	12E-32E - INSTALL, CABLES / 12E-32E - INSTALLATION CABLES	B
0	1001225001	Ref	12E Plus - INSTALL, CABLES / 12E Plus - INSTALLATION CABLES	
1	1001152080	1	HARNES, DRIVE SYSTEM / FAISCEAU TRANSLATION	
1A	4460539	1	CONNECTOR, DEUTSCH DT 3P PLUG / CONNECTEUR DEUTSCH DT 3P MALE	
1A	4460465	3	CONTACT DEUTSCH DT SOCKET / CONTACT DEUTSCH DT FEMELLE	
1B	1001144147	1	CONNECTOR, DEUTSCH DT 3P PLUG / CONNECTEUR DEUTSCH DT 3P MALE	
1B	4460943	3	CONTACT DEUTSCH DT, GOLD PIN / CONTACT DEUTSCH DT, MALE DORE	
1C	4460884	1	CONNECTOR, DEUTSCH DT 4P PLUG / CONNECTEUR DEUTSCH DT 4P MALE	
1C	4460465	4	CONTACT DEUTSCH DT SOCKET / CONTACT DEUTSCH DT FEMELLE	
1D	4461077	1	CONNECTOR, DEUTSCH DTM 4P PLUG / CONNECTEUR DEUTSCH DTM 4P MALE	
1D	1001126008	4	SOCKET CONTACT DEUTSCH DTM / CONTACT FEMELLE DEUTSCH DTM	
1E	4460891	1	CONNECTOR, DEUTSCH DT 2P PLUG / CONNECTEUR DEUTSCH DT 2P MALE	
1E	4460465	2	CONTACT DEUTSCH DT SOCKET / CONTACT DEUTSCH DT FEMELLE	
1F	1001103012	1	CONNECTOR, HOUSING AMP SUPERSEAL 4P / CONNECTEUR AMP SUPERSEAL 4P	
1F	1001107854	4	SOCKET CONTACT AMP SUPERSEAL / CONTACT FEMELLE AMP SUPERSEAL	
1F	1001104498	4	SEAL AMP SUPERSEAL / JOINT AMP SUPERSEAL	
1G	4460702	3	RED EYELET TERMINAL D1/4 / COSSE A OEIL ISOLEE ROUGE D1/4	
1H	8220058	1	BLUE EYELET TERMINAL D1/4 / COSSE A OEIL ISOLEE BLEUE D1/4	
1J	1001144147	1	CONNECTOR, SOCKET DEUTSCH DT 3P / CONNECTEUR FEMELLE DEUTSCH DT 3P	
1J	4460943	2	CONTACT DEUTSCH DT, GOLD PIN / CONTACT DEUTSCH DT, MALE DORE	
1J	4460466	1	SEALING PLUG / JOINT CONNECTEUR	
1K	4460930	1	CONNECTOR, DEUTSCH DT 8P PLUG / CONNECTEUR DEUTSCH DT 8P MALE	
1K	4460944	8	SOCKET DEUTSCH DT, GOLD PIN / CONTACT DEUTSCH DT, FEMELLE DORE	
1L	4460873	2 x1	CONNECTOR, HOUSING AMP 35P / CONNECTEUR AMP 35P	
1L	4460871	16+12	CONTACT AMPSEAL, SOCKET / CONTACT AMPSEAL, FEMELLE	
1L	4460905	19+23	SEAL PLUG, AMPSEAL / JOINT CONTACT AMPSEAL	
1M	1001126007	2 x1	CONNECTOR, DEUTSCH DTM 6P / CONNECTEUR DEUTSCH DTM 6P	
1M	4460928	2 x6	CONTACT DEUTSCH DTM, SOCKET / CONTACT DEUTSCH DTM FEMELLE	
1N	4460016	4	TERMINAL RECEPTACLE FASTON / COSSE FASTON	
1P	2400060	1	FUSE HOLDER WITH COVER / PORTE FUSIBLE AVEC CAPOT	
1P	8229242	1	MINI FUSE 5A / FUSIBLE 5A	

SECTION 9 - ELECTRICAL SYSTEM INSTALL / INSTALLATION ELECTRIQUE

ITEM	PART NUMBER	QTY	DESCRIPTION	REV
1Q	1001116815	1	CONNECTOR, DEUTSCH DT 3P W RESISTOR / CONNECTEUR DEUTSCH DT 3P AVEC RESISTANCE	
1R	4460984	1	CONNECTOR, DEUTSCH DT 8P PLUG / CONNECTEUR DEUTSCH DT 8P MALE	
1S	1001116816	1	CONNECTOR, DEUTSCH DT 2P W DIODE / CONNECTEUR DEUTSCH DT 2P AVEC DIODE	
2	1001224983	1	HARNES, MAST VALVES / FAISCEAU BLOC CAGE 6	
2A	4460931	1	CONNECTOR, DEUTSCH DT 8P RECEPTACLE / CONNECTEUR DEUTSCH DT 8P FEMELLE	
2A	4460464	8	CONTACT DEUTSCH DT PIN / CONTACT DEUTSCH DT MALE	
2B	4460891	6 x1	CONNECTOR, DEUTSCH DT 2P PLUG / CONNECTEUR DEUTSCH DT 2P MALE	
2B	4460465	6 x2	CONTACT DEUTSCH DT SOCKET / CONTACT DEUTSCH DT FEMELLE	
3	1001224981	1	HARNES, TURNTABLE / FAISCEAU TOURELLE	
3	1001239391	1	HARNES, TURNTABLE WITH ENABLE / FAISCEAU TOURELLE AVEC VALIDATION (32E Prior to SN A300058355)	
3A	1001144147	1	CONNECTOR, SOCKET DEUTSCH DT 3P / CONNECTEUR FEMELLE DEUTSCH DT 3P	
3A	4460943	3	CONTACT DEUTSCH DT, GOLD PIN / CONTACT DEUTSCH DT, MALE DORE	
3B	4460884	1	CONNECTOR, DEUTSCH DT 4P PLUG / CONNECTEUR DEUTSCH DT 4P MALE	
3B	4460465	4	CONTACT DEUTSCH DT SOCKET / CONTACT DEUTSCH DT FEMELLE	
3C	4461077	1	CONNECTOR, DEUTSCH DTM 4P PLUG / CONNECTEUR DEUTSCH DTM 4P MALE	
3C	1001126008	4	SOCKET CONTACT DEUTSCH DTM / CONTACT FEMELLE DEUTSCH DTM	
3D	4461077	1	CONNECTOR, DEUTSCH DTM 4P PLUG / CONNECTEUR DEUTSCH DTM 4P MALE	
3D	1001126008	3	SOCKET CONTACT DEUTSCH DTM / CONTACT FEMELLE DEUTSCH DTM	
3D	4460518	1	SEALING PLUG / JOINT CONNECTEUR	
3E	4460891	9 x1	CONNECTOR, DEUTSCH DT 2P PLUG / CONNECTEUR DEUTSCH DT 2P MALE	
3E	4460465	9 x2	CONTACT DEUTSCH DT SOCKET / CONTACT DEUTSCH DT FEMELLE	
3F	1001116812	1	CONNECTOR, DEUTSCH DT 3P MALE / CONNECTEUR DEUTSCH DT 3P MALE	
3F	4460944	3	SOCKET DEUTSCH DT, GOLD PIN / CONTACT DEUTSCH DT, FEMELLE DORE	
3G	4460876	1	CONNECTOR, BLUE 35P AMPSEAL / CONNECTEUR BLEU AMPSEAL 35P	
3G	4460871	29	CONTACT AMPSEAL, SOCKET / CONTACT AMPSEAL, FEMELLE	
3G	4460905	6	SEAL PLUG, AMPSEAL / JOINT CONTACT AMPSEAL	
3H	1001116946	1	CONNECTOR, 8P AMPSEAL / CONNECTEUR AMPSEAL 8P	
3H	4460871	6	CONTACT AMPSEAL, SOCKET / CONTACT AMPSEAL, FEMELLE	
3J	250010	1	M08 EYELET TERMINAL 4-6mm ² / COSSE A OEIL ISOLEE M8 - 4-6mm ²	
3K	4460670	1	M08 EYELET TERMINAL 1, 3-2mm ² / COSSE A OEIL ISOLEE M8 - 1,3-2mm ²	
3N	4460878	1	4 POS. MOLEX MINI-FIT SR HOUSING / CONNECTEUR 4 COSSES MOLEX MINI-FIT SR	

SECTION 9 - ELECTRICAL SYSTEM INSTALL / INSTALLATION ELECTRIQUE

ITEM	PART NUMBER	QTY	DESCRIPTION	REV
3N	4460887	4	CONTACT MOLEX MINI-FIT SR / CONTACT MOLEX MINI-FIT SR	
3P	4460873	1	CONNECTOR, HOUSING AMP 35P / CONNECTEUR AMP 35P	
3P	4460871	19	CONTACT AMPSEAL, SOCKET / CONTACT AMPSEAL, FEMELLE	
3P	4460905	16	SEAL PLUG, AMPSEAL / JOINT CONTACT AMPSEAL	
3Q	1001161254	1	HARNESS, CAN PROTECTION MODULE / FAISCEAU MODULE PROTECTION CAN	
3QA	1001116812	1	CONNECTOR, DEUTSCH DT 3P MALE / CONNECTEUR DEUTSCH DT 3P MALE	
3QA	4460944	3	SOCKET DEUTSCH DT, GOLD PIN / CONTACT DEUTSCH DT, FEMELLE DORE	
3QB	1001113961	1	CONNECTOR, BLACK 8P AMPSEAL / CONNECTEUR NOIR AMPSEAL 8P	
3QB	4460871	5	CONTACT AMPSEAL, SOCKET / CONTACT AMPSEAL, FEMELLE	
3QB	4460905	3	SEAL PLUG, AMPSEAL / JOINT CONTACT AMPSEAL	
3R	4460539	1	CONNECTOR, DEUTSCH DT 3P PLUG / CONNECTEUR DEUTSCH DT 3P MALE	
3R	4460465	3	CONTACT DEUTSCH DT SOCKET / CONTACT DEUTSCH DT FEMELLE	
3S	4460876	1	CONNECTOR, BLUE 35P AMPSEAL / CONNECTEUR BLEU AMPSEAL 35P	
3S	4460871	13	CONTACT AMPSEAL, SOCKET / CONTACT AMPSEAL, FEMELLE	
3S	4460905	22	SEAL PLUG, AMPSEAL / JOINT CONTACT AMPSEAL	
3T	4460872	1	CONNECTOR, 14P AMPSEAL / CONNECTEUR AMPSEAL 14P	
3T	4460871	8	CONTACT AMPSEAL, SOCKET / CONTACT AMPSEAL, FEMELLE	
3T	4460905	6	SEAL PLUG, AMPSEAL / JOINT CONTACT AMPSEAL	
3U	4460875	1	CONNECTOR, GREY 35P AMPSEAL / CONNECTEUR GRIS AMPSEAL 35P	
3U	4460871	15	CONTACT AMPSEAL, SOCKET / CONTACT AMPSEAL, FEMELLE	
3U	4460905	20	SEAL PLUG, AMPSEAL / JOINT CONTACT AMPSEAL	
3V	4460874	1	CONNECTOR, NATURAL 35P AMPSEAL / CONNECTEUR BLANC AMPSEAL 35P	
3V	4460871	7	CONTACT AMPSEAL, SOCKET / CONTACT AMPSEAL, FEMELLE	
3V	4460905	28	SEAL PLUG, AMPSEAL / JOINT CONTACT AMPSEAL	
3W	4460761	1	CONNECTOR, HOUSING AMP 4P / CONNECTEUR FEMELLE AMP 4P	
3W	4460267	4	CONTACT AMP MATE-N-LOK 0, 5-2mm ² / CONTACT MALE AMP MATE-N-LOK 0,5-2mm ²	
3X	4460754	1	CONNECTOR, DEUTSCH HD 14P PLUG / CONNECTEUR DEUTSCH HD 14P MALE	
3X	4460942	2	CONTACT DEUTSCH DT SOCKET 1, 3-2mm ² / CONTACT DEUTSCH DT FEMELLE 1,3-2mm ²	
3X	4460465	10	CONTACT DEUTSCH DT SOCKET / CONTACT DEUTSCH DT FEMELLE	
3X	4460466	2	SEALING PLUG / JOINT CONNECTEUR	
3Y	4460536	1	CONNECTOR, DEUTSCH DT 3P RECEPTACLE / CONNECTEUR DEUTSCH DT 3P FEMELLE	
3Y	1001116693	3	CONTACT DEUTSCH 0, 8-2mm ² / COSSE MALE DEUTSCH 0,8-2mm ²	
3Z	4460042	2	D4, 8 EYELET BLUE TERMINAL 1, 3-2mm ² / COSSE A OEIL BLEUE ISOLEE D4,8 - 1,3-2mm ²	
3AA	8220045	2	D4, 8 EYELET YELLOW TERMINAL 3, 3-5, 3mm ² / COSSE A OEIL JAUNE ISOLEE D4,8 - 3,3-5,3mm ²	
3AB	2400060	2 x1	FUSE HOLDER WITH COVER / PORTE FUSIBLE AVEC CAPOT	
3AB	80983191	2 x1	MINI FUSE 10A / FUSIBLE 10A	
3AC	2400060	1	FUSE HOLDER WITH COVER / PORTE FUSIBLE AVEC CAPOT	

SECTION 9 - ELECTRICAL SYSTEM INSTALL / INSTALLATION ELECTRIQUE

ITEM	PART NUMBER	QTY	DESCRIPTION	REV
3AC	8229245	1	MINI FUSE 30A / FUSIBLE 30A	
3AD	1001144147	1	CONNECTOR, SOCKET DEUTSCH DT 3P / CONNECTEUR FEMELLE DEUTSCH DT 3P	
3AD	4460943	3	CONTACT DEUTSCH DT, GOLD PIN / CONTACT DEUTSCH DT, MALE DORE	
3AG	1001116810	1	CONNECTOR, DEUTSCH DTP 4P MALE / CONNECTEUR DEUTSCH DTP 4P MALE	
3AG	1001150611	2	SOCKET DEUTSCH 3, 3-5mm ² / COSSE FEMELLE DEUTSCH 3,3-5mm ²	
3AG	4460509	2	SOCKET DEUTSCH 2-3, 3mm ² / COSSE FEMELLE DEUTSCH 2-3,3mm ²	
3AH	4460931	1	CONNECTOR, DEUTSCH DT 8P RECEPTACLE / CONNECTEUR DEUTSCH DT 8P FEMELLE	
3AH	4460464	6	CONTACT DEUTSCH DT PIN / CONTACT DEUTSCH DT MALE	
3AH	4460466	2	SEALING PLUG / JOINT CONNECTEUR	
3AJ	1001151788	1	CONNECTOR, 4P APP PLUG / CONNECTEUR APP 4P	
3AJ	1001151824	5	CONTACT PP75 SB50 / CONTACT PP75 SB50	
3AK	4460884	1	PLUG,4-PIN CONNECTOR (IF EQUIPPED) / CONNECTEUR 4 BROCHES (SI EQUIPPE)	
3AK	4460465	4	CONTACT DEUTSCH DT SOCKET (IF EQUIPPED) / CONTACT DEUTSCH DT FEMELLE (SI EQUIPPE)	
3AK	1001192401	1	CONNECTOR,DUST CAP (IF EQUIPPED) / PROTECTION CONNECTEUR (SI EQUIPPE)	
4	1001227067	1	HARNESS, MAST / FAISCEAU MAT PRINCIPAL	
4A	1001144147	2 x1	CONNECTOR, SOCKET DEUTSCH DT 3P / CONNECTEUR FEMELLE DEUTSCH DT 3P	
4A	4460943	2 x3	CONTACT DEUTSCH DT, GOLD PIN / CONTACT DEUTSCH DT, MALE DORE	
4B	4460899	1	CONNECTOR, DEUTSCH DT 6P RECEPTACLE / CONNECTEUR DEUTSCH DT 6P FEMELLE	
4B	4460464	5	CONTACT DEUTSCH DT PIN / CONTACT DEUTSCH DT MALE	
4B	4460466	1	SEALING PLUG / JOINT CONNECTEUR	
4C	4460897	1	CONNECTOR, DEUTSCH DT 2P RECEPTACLE / CONNECTEUR DEUTSCH DT 2P FEMELLE	
4C	4460464	2	CONTACT DEUTSCH DT PIN / CONTACT DEUTSCH DT MALE	
4D	4460930	1	CONNECTOR, DEUTSCH DT 8P PLUG / CONNECTEUR DEUTSCH DT 8P MALE	
4D	4460465	8	CONTACT DEUTSCH DT SOCKET / CONTACT DEUTSCH DT FEMELLE	
4E	1001156541	1	CONNECTOR, DEUTSCH DT 14P RECEPTACLE / CONNECTEUR DEUTSCH DT 14P FEMELLE	
4E	4460464	13	CONTACT DEUTSCH DT PIN / CONTACT DEUTSCH DT MALE	
4E	4460466	1	SEALING PLUG / JOINT CONNECTEUR	
5	1001152095	1	CABLE, MAST E-STOP / CABLE ARRET D'URGENCE MAT	
5A	4460539	2 x1	CONNECTOR, DEUTSCH DT 3P PLUG / CONNECTEUR DEUTSCH DT 3P MALE	
5A	1001116692	2 x3	SOCKET DEUTSCH 0, 8-2mm ² / COSSE FEMELLE DEUTSCH 0,8-2mm ²	
6	1001152162	1	12E-32E - CABLE, PLATFORM E-STOP / 12E-32E - CABLE ARRET D'URGENCE PLATE-FORME	
6	1001152163	1	12E Plus - CABLE, PLATFORM E-STOP / 12E Plus - CABLE ARRET D'URGENCE PLATE-FORME	
6A	4460536	1	CONNECTOR, DEUTSCH DT 3P RECEPTACLE / CONNECTEUR	

SECTION 9 - ELECTRICAL SYSTEM INSTALL / INSTALLATION ELECTRIQUE

ITEM	PART NUMBER	QTY	DESCRIPTION	REV
6A	1001116693	3	DEUTSCH DT 3P FEMELLE CONTACT DEUTSCH 0, 8-2mm ² / COSSE MALE DEUTSCH 0,8-2mm ²	
6B	4460967	1	CONNECTOR DEUTSCH HD 3P / CONNECTEUR DEUTSCH HD 3P	
6B	1001116692	3	SOCKET DEUTSCH 0, 8-2mm ² / COSSE FEMELLE DEUTSCH 0,8-2mm ²	
7	1001152164	1	12E-32E - HARNESS, JIB / 12E-32E - FAISCEAU BRAS	
7	1001152165	1	12E Plus - HARNESS, JIB / 12E Plus - FAISCEAU BRAS	
7A	4460754	1	CONNECTOR, DEUTSCH HD 14P PLUG / CONNECTEUR DEUTSCH HD 14P MALE	
7A	4460465	8	CONTACT DEUTSCH DT SOCKET / CONTACT DEUTSCH DT FEMELLE	
7A	4460944	4	SOCKET DEUTSCH DT, GOLD PIN / CONTACT DEUTSCH DT, FEMELLE DORE	
7A	4460466	2	SEALING PLUG / JOINT CONNECTEUR	
7B	4460894	1	CONNECTOR, DEUTSCH DT 6P PLUG / CONNECTEUR DEUTSCH DT 6P MALE	
7B	4460465	5	CONTACT DEUTSCH DT SOCKET / CONTACT DEUTSCH DT FEMELLE	
7B	4460466	1	SEALING PLUG / JOINT CONNECTEUR	
7C	1001116812	2 x1	CONNECTOR, DEUTSCH DT 3P MALE / CONNECTEUR DEUTSCH DT 3P MALE	
7C	4460944	2 x3	SOCKET DEUTSCH DT, GOLD PIN / CONTACT DEUTSCH DT, FEMELLE DORE	
7D	4460932	2 x1	CONNECTOR, DEUTSCH DT 4P RECEPTACLE / CONNECTEUR DEUTSCH DT 4P FEMELLE	
7D	4460464	2 x4	CONTACT DEUTSCH DT PIN / CONTACT DEUTSCH DT MALE	
7E	4460851	1	CONNECTOR, DEUTSCH DT 8P PLUG / CONNECTEUR DEUTSCH DT 8P MALE	
7E	4460465	4	CONTACT DEUTSCH DT SOCKET / CONTACT DEUTSCH DT FEMELLE	
7E	4460466	4	SEALING PLUG / JOINT CONNECTEUR	
7F	4460852	1	CONNECTOR, DEUTSCH DT 8P SOCKET / CONNECTEUR DEUTSCH DT 8P FEMELLE	
8	1001152567	1	HARNESS, FRAME POWER TRACK / FAISCEAU CHASSIS	
8A	1001116812	2 x1	CONNECTOR, DEUTSCH DT 3P MALE / CONNECTEUR DEUTSCH DT 3P MALE	
8A	4460944	2 x3	SOCKET DEUTSCH DT, GOLD PIN / CONTACT DEUTSCH DT, FEMELLE DORE	
8B	4460932	2 x1	CONNECTOR, DEUTSCH DT 4P RECEPTACLE / CONNECTEUR DEUTSCH DT 4P FEMELLE	
8B	4460464	2 x4	CONTACT DEUTSCH DT PIN / CONTACT DEUTSCH DT MALE	
8C	1001097051	2 x1	CONNECTOR, DEUTSCH DTM 4P FEMALE / CONNECTEUR DEUTSCH DTM 4P FEMELLE	
8C	1001126011	2 x4	CONTACT DEUTSCH DTM / CONTACT MALE DTM	
9	1001157456	1	HARNESS, CHAIN SLACK MAST 1 / FAISCEAU MOU DE CHAINE MAT 1	
9A	4460897	2 x1	CONNECTOR, DEUTSCH DT 2P RECEPTACLE / CONNECTEUR DEUTSCH DT 2P FEMELLE	
9A	4460464	2 x2	CONTACT DEUTSCH DT PIN / CONTACT DEUTSCH DT MALE	
9B	4460891	1	CONNECTOR, DEUTSCH DT 2P PLUG / CONNECTEUR DEUTSCH DT 2P MALE	

SECTION 9 - ELECTRICAL SYSTEM INSTALL / INSTALLATION ELECTRIQUE

ITEM	PART NUMBER	QTY	DESCRIPTION	REV
9B	4460465	2	CONTACT DEUTSCH DT SOCKET / CONTACT DEUTSCH DT FEMELLE	
10	1001157457	1	HARNESS, CHAIN SLACK MAST 3/4/6 / FAISCEAU MOU DE CHAINE MAT 3/4/6	
10A	4460897	4 x1	CONNECTOR, DEUTSCH DT 2P RECEPTACLE / CONNECTEUR DEUTSCH DT 2P FEMELLE	
10A	4460464	4 x2	CONTACT DEUTSCH DT PIN / CONTACT DEUTSCH DT MALE	
100	1001151895	1	HARNESS, TILT SENSOR SWITCH / FAISCEAU CAPTEUR DE DEVERS	
100A	1001103012	1	CONNECTOR, HOUSING AMP SUPERSEAL 4P / CONNECTEUR AMP SUPERSEAL 4P	
100A	1001107854	4	SOCKET CONTACT AMP SUPERSEAL / CONTACT FEMELLE AMP SUPERSEAL	
101	4360505	1	ROTARY ANGLE SENSOR / CAPTEUR D'ANGLE	
101A	4460536	1	CONNECTOR, DEUTSCH DT 3P RECEPTACLE / CONNECTEUR DEUTSCH DT 3P FEMELLE	
101A	4460464	3	CONTACT DEUTSCH DT PIN / CONTACT DEUTSCH DT MALE	
102	4000008	1	PROXIMITY SENSOR ASSEMBLY / FAISCEAU DETECTEUR DE PROXIMITE	
102A	4000007	1	SENSOR, PROXIMITY / DETECTEUR DE PROXIMITE	
102B	4461076	1	CONNECTOR, DEUTSCH DTM 4P RECEPTACLE / CONNECTEUR DEUTSCH DTM 4P FEMELLE	
102B	4460917	4	CONTACT DEUTSCH DTM, GOLD PIN / CONTACT DEUTSCH DTM MALE DORE	
103	1001157803	3 x1	SWITCH, CHAIN SLACK L1 / CAPTEUR MOU DE CHAINE L1	
103A	260327	3 x1	NO/NC SWITCH PG11 / CAPTEUR NO/NF PE11	
103B	210018	3 x1	GLAND N°11 / PRESSE ETOUPE N°11	
103C	4460891	3 x1	CONNECTOR, DEUTSCH DT 2P PLUG / CONNECTEUR DEUTSCH DT 2P MALE	
103C	4460465	3 x2	CONTACT DEUTSCH DT SOCKET / CONTACT DEUTSCH DT FEMELLE	
104	1001157804	1	SWITCH, CHAIN SLACK L2 / CAPTEUR MOU DE CHAINE L2	
104A	260327	1	NO/NC SWITCH PG11 / CAPTEUR NO/NF PE11	
104B	210018	1	GLAND N°11 / PRESSE ETOUPE N°11	
104C	4460891	1	CONNECTOR, DEUTSCH DT 2P PLUG / CONNECTEUR DEUTSCH DT 2P MALE	
104C	4460465	2	CONTACT DEUTSCH DT SOCKET / CONTACT DEUTSCH DT FEMELLE	
105	0140043	1	ALARM, MOTION/DESCENT/HORN / ALARME MOUVEMENTS ET KLAXON	
106	PC0534	1	HARNESS, BEACON / FAISCEAU FEU A ECLATS	
106A	260329	1	FLASHING LIGHT / FEU A ECLAT	
106B	4460897	1	CONNECTOR, DEUTSCH DT 2P RECEPTACLE / CONNECTEUR DEUTSCH DT 2P FEMELLE	
106B	4460464	2	CONTACT DEUTSCH DT PIN / CONTACT DEUTSCH DT MALE	
107	1001159127	1	HARNESS, PLATFORM ROTATE / FAISCEAU ROTATION	

SECTION 9 - ELECTRICAL SYSTEM INSTALL / INSTALLATION ELECTRIQUE

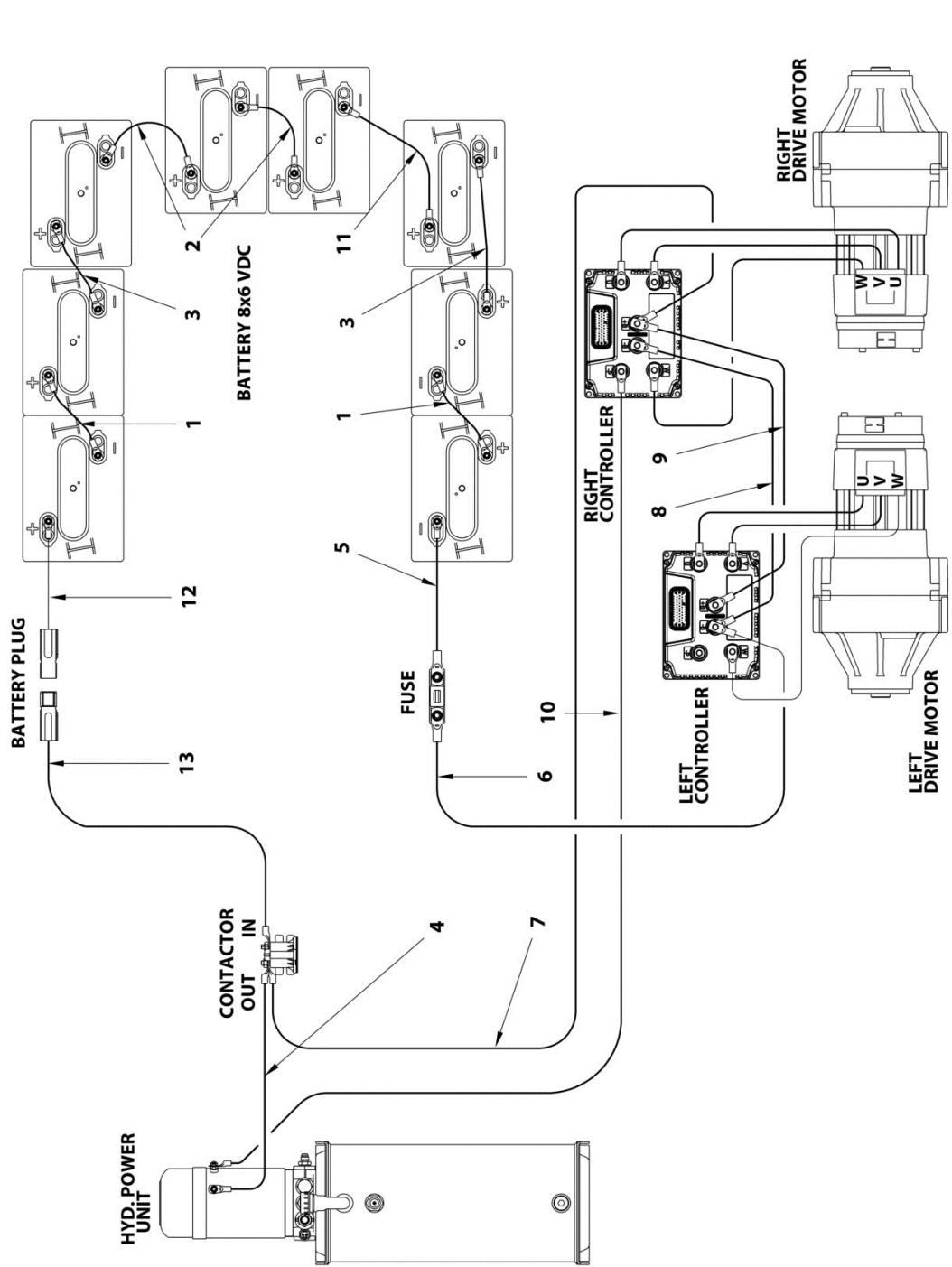
ITEM	PART NUMBER	QTY	DESCRIPTION	REV
			PLATE-FORME; INFO - OPTION	
107A	4460967	1	CONNECTOR DEUTSCH HD 3P / CONNECTEUR DEUTSCH HD 3P	
107A	1001116692	2	SOCKET DEUTSCH 0, 8-2mm ² / COSSE FEMELLE DEUTSCH 0,8-2mm ²	
107A	4460466	1	SEALING PLUG / JOINT CONNECTEUR	
107B	1001154726	1	CONNECTOR DEUTSCH HD 3P / CONNECTEUR DEUTSCH HD 3P	
107B	1001116693	3	CONTACT DEUTSCH 0, 8-2mm ² / COSSE MALE DEUTSCH 0,8-2mm ²	
107C	4460326	1	CONNECTOR MATE-N-LOK 3P MALE / CONNECTEUR MATE-N-LOK 3P MALE	
107C	4460227	2	CONTACT AMP MATE-N-LOK 0, 2-0, 8mm ² / CONTACT MALE AMP MATE-N-LOK 0,2-0,8mm ²	
107C	1001159298	1	3 POSITIONS WIRE SEAL / JOINT ARRIERE CONNECTEUR 3 CTS	
107C	1001159300	1	3 POSITIONS INTERFACE SEAL / JOINT INTERFACE CONNECTEUR 3 CTS	
107D	4460326	1	CONNECTOR MATE-N-LOK 3P MALE / CONNECTEUR MATE-N-LOK 3P MALE	
107D	4460268	3	SOCKET, CONTACT AMP MATE-N-LOK 0, 5-2mm ² / CONTACT FEMELLE AMP MATE-N-LOK 0,5-2mm ²	
107D	1001159298	1	3 POSITIONS WIRE SEAL / JOINT ARRIERE CONNECTEUR 3 CTS	
107D	1001159300	1	3 POSITIONS INTERFACE SEAL / JOINT INTERFACE CONNECTEUR 3 CTS	
107E	4460321	1	CONNECTOR MATE-N-LOK 4P MALE / CONNECTEUR MATE-N-LOK 4P MALE	
107E	4460226	2	SOCKET, CONTACT AMP MATE-N-LOK 0, 2-0, 8mm ² / CONTACT FEMELLE AMP MATE-N-LOK 0,2-0,8mm ²	
107E	4460268	2	SOCKET, CONTACT AMP MATE-N-LOK 0, 5-2mm ² / CONTACT FEMELLE AMP MATE-N-LOK 0,5-2mm ²	
107E	1001159297	1	4 POSITIONS WIRE SEAL / JOINT ARRIERE CONNECTEUR 4 CTS	
107E	1001159299	1	4 POSITIONS INTERFACE SEAL / JOINT INTERFACE CONNECTEUR 4 CTS	
107F	1001144147	1	CONNECTOR, SOCKET DEUTSCH DT 3P / CONNECTEUR FEMELLE DEUTSCH DT 3P	
107F	4460943	2	CONTACT DEUTSCH DT, GOLD PIN / CONTACT DEUTSCH DT, MALE DORE	
107F	4460466	1	SEALING PLUG / JOINT CONNECTEUR	
108	PC0468	1	HARNESS, LOAD SENSING SWITCH / FAISCEAU CAPTEUR DE SURCHARGE	
108A	260321	1	LIMIT SWITCH, SNAP ACTION / DETECTEUR DE POSITION A POUSSOIR	
108B	4460884	1	CONNECTOR, DEUTSCH DT 4P PLUG / CONNECTEUR DEUTSCH DT 4P MALE	
108B	4460465	4	CONTACT DEUTSCH DT SOCKET / CONTACT DEUTSCH DT FEMELLE	
109	1001152091	1	HARNESS, JIB SWITCHES / FAISCEAU CAPTEUR BRAS	
109A	4460884	1	CONNECTOR, DEUTSCH DT 4P PLUG / CONNECTEUR DEUTSCH DT 4P MALE	
109A	4460465	4	CONTACT DEUTSCH DT SOCKET / CONTACT DEUTSCH DT FEMELLE	
109B	4460891	1	CONNECTOR, DEUTSCH DT 2P PLUG / CONNECTEUR	

SECTION 9 - ELECTRICAL SYSTEM INSTALL / INSTALLATION ELECTRIQUE

ITEM	PART NUMBER	QTY	DESCRIPTION	REV
109B	4460465	2	DEUTSCH DT 2P MALE CONTACT DEUTSCH DT SOCKET / CONTACT DEUTSCH DT FEMELLE	
109C	260323	3	NO/NC SWITCH PG11 / CAPTEUR NO/NF PE11	
109D	210018	3	GLAND N°11 / PRESSE ETOUPE N°11	
110	1001228269	1	CYLINDER PLATFORM ROTATION / VERIN ROTATION PLATE- FORME	
110A	250141	1	3 POSITIONS "MNL" CAP HOUSING / CONNECTEUR FEMELLE 3 CTS "MNL"	
110A	250144	1	3 POSITIONS WIRE SEAL / JOINT ARRIERE CONNECTEUR 3 CTS	
110A	210033	2	SOCKET CONTACT "MATE-N-LOK" / CONTACT FEMELLE "MATE-N-LOK"	
200	1001224982	1	KIT,POWER CABLES / KIT CABLES DE PUISSANCE	

SECTION 9 - ELECTRICAL SYSTEM INSTALL / INSTALLATION ELECTRIQUE

FIGURE 9-2. KIT,POWER CABLES / KIT CABLES DE PUISSANCE



AME_100124942

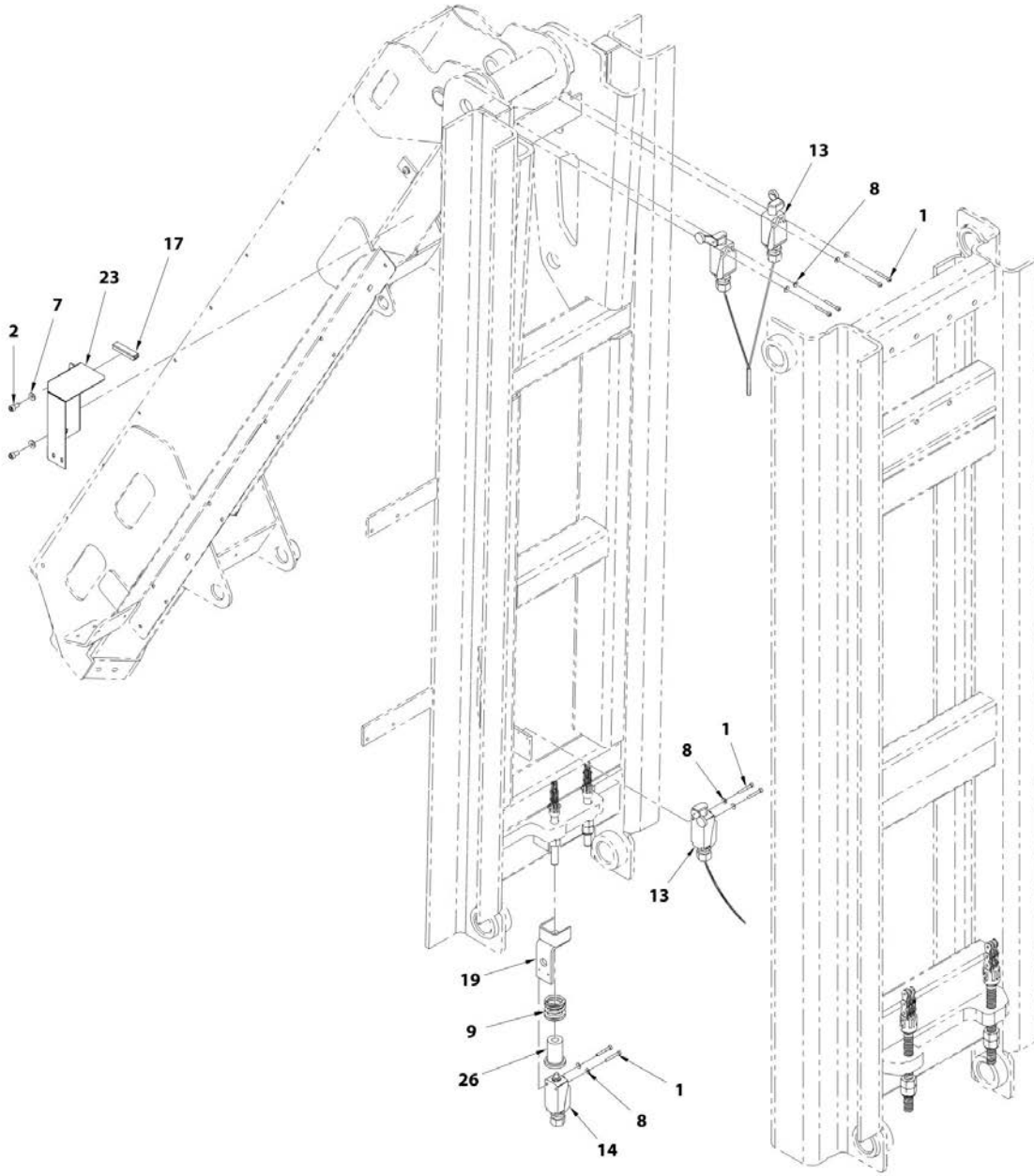
SECTION 9 - ELECTRICAL SYSTEM INSTALL / INSTALLATION ELECTRIQUE

FIGURE 9-2. KIT,POWER CABLES / KIT CABLES DE PUISSANCE

ITEM	PART NUMBER	QTY	DESCRIPTION	REV
	1001224982	Ref	KIT,POWER CABLES / KIT CABLES DE PUISSANCE	A
1	PC0549	2	CABLE 35mm ² LENGTH 180mm BLACK / CABLE 35mm ² LONG 180mm NOIR	
2	PC0550	2	CABLE 35mm ² LENGTH 320mm BLACK / CABLE 35mm ² LONG 320mm NOIR	
3	PC0551	2	CABLE 35mm ² LENGTH 1480mm BLACK / CABLE 35mm ² LONG 1480mm NOIR	
4	1001224984	1	CABLE 35mm ² LENGTH 320mm RED / CABLE 35mm ² LONG 320mm ROUGE	
5	PC0553	1	CABLE 35mm ² LENGTH 1000mm BLUE / CABLE 35mm ² LONG 1000mm BLEU	
6	PC0554	1	CABLE 35mm ² LENGTH 3970mm BLUE / CABLE 35mm ² LONG 3970mm BLEU	
7	1001224985	1	CABLE 35mm ² LENGTH 4750mm RED / CABLE 35mm ² LONG 4750mm ROUGE	
8	PC0483	1	CABLE 35mm ² LENGTH 590mm BLUE / CABLE 35mm ² LONG 590mm BLEU	
9	PC0484	1	CABLE 35mm ² LENGTH 590mm RED / CABLE 35mm ² LONG 590mm ROUGE	
10	PC0556	1	CABLE 25mm ² LENGTH 4950mm BLACK / CABLE 25mm ² LONG 4950mm NOIR	
11	1001223304	1	CABLE 35mm ² LENGTH 390mm BLACK / CABLE 35mm ² LONG 390mm NOIR	
12	PC0557	1	CABLE 35mm ² LENGTH 400mm RED / CABLE 35mm ² LONG 400mm ROUGE	
13	1001224986	1	CABLE 35mm ² LENGTH 1630mm RED / CABLE 35mm ² LONG 1630mm ROUGE	

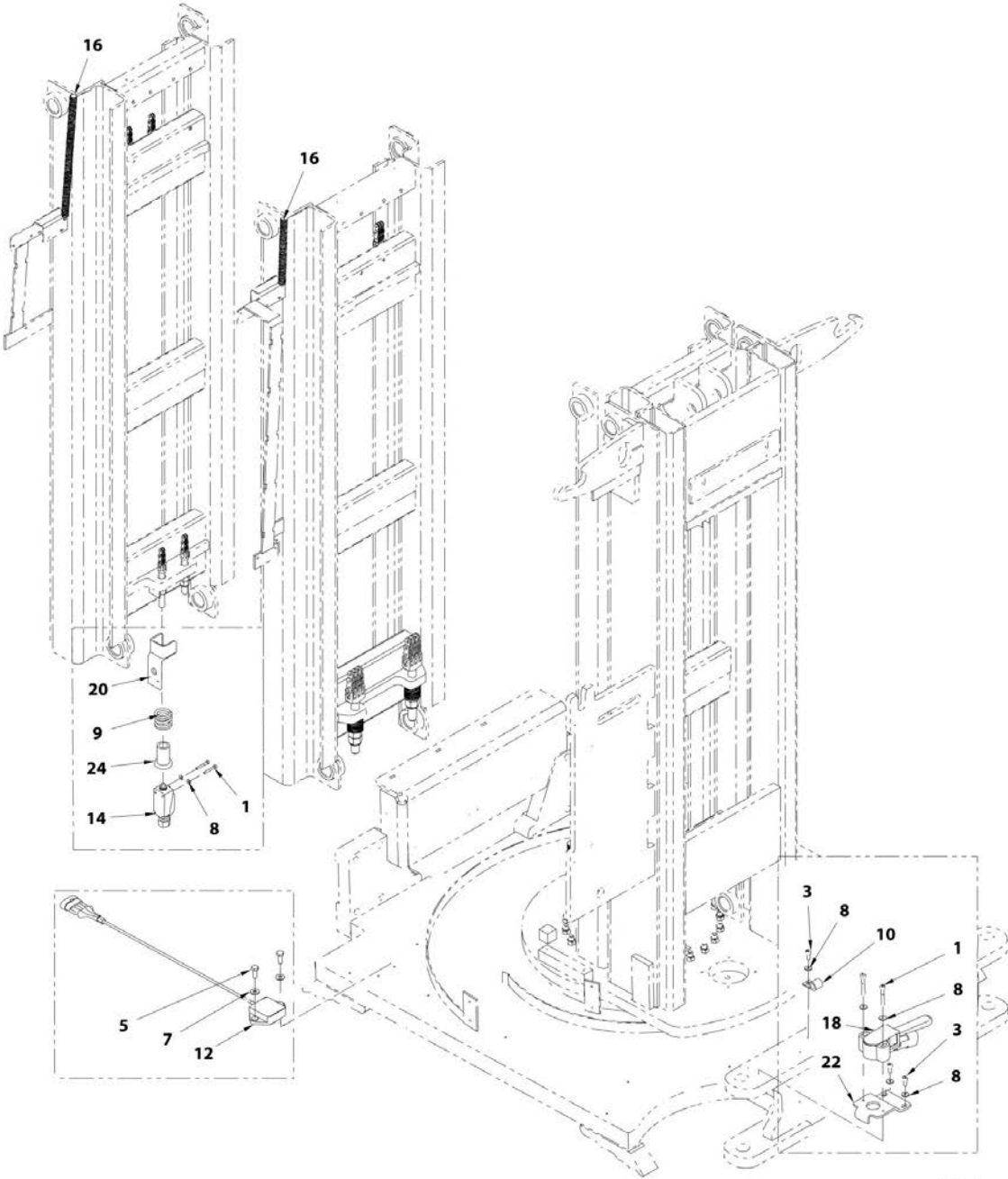
SECTION 9 - ELECTRICAL SYSTEM INSTALL / INSTALLATION ELECTRIQUE

FIGURE 9-3. LIMIT SWITCHES AND COVERS / INSTALLATION CAPTEURS

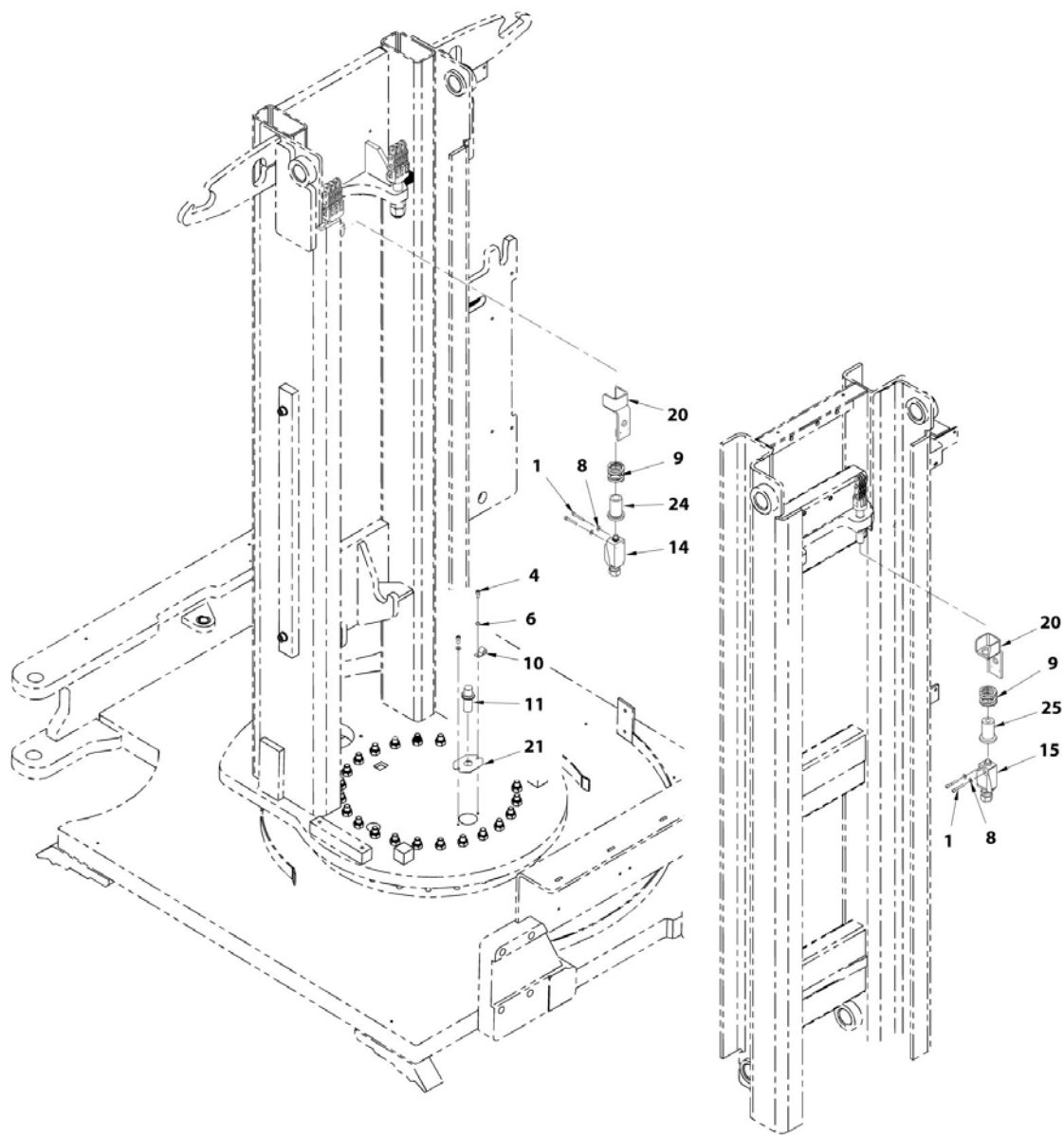


ART. 549123A

SECTION 9 - ELECTRICAL SYSTEM INSTALL / INSTALLATION ELECTRIQUE



SECTION 9 - ELECTRICAL SYSTEM INSTALL / INSTALLATION ELECTRIQUE



ART_58112C

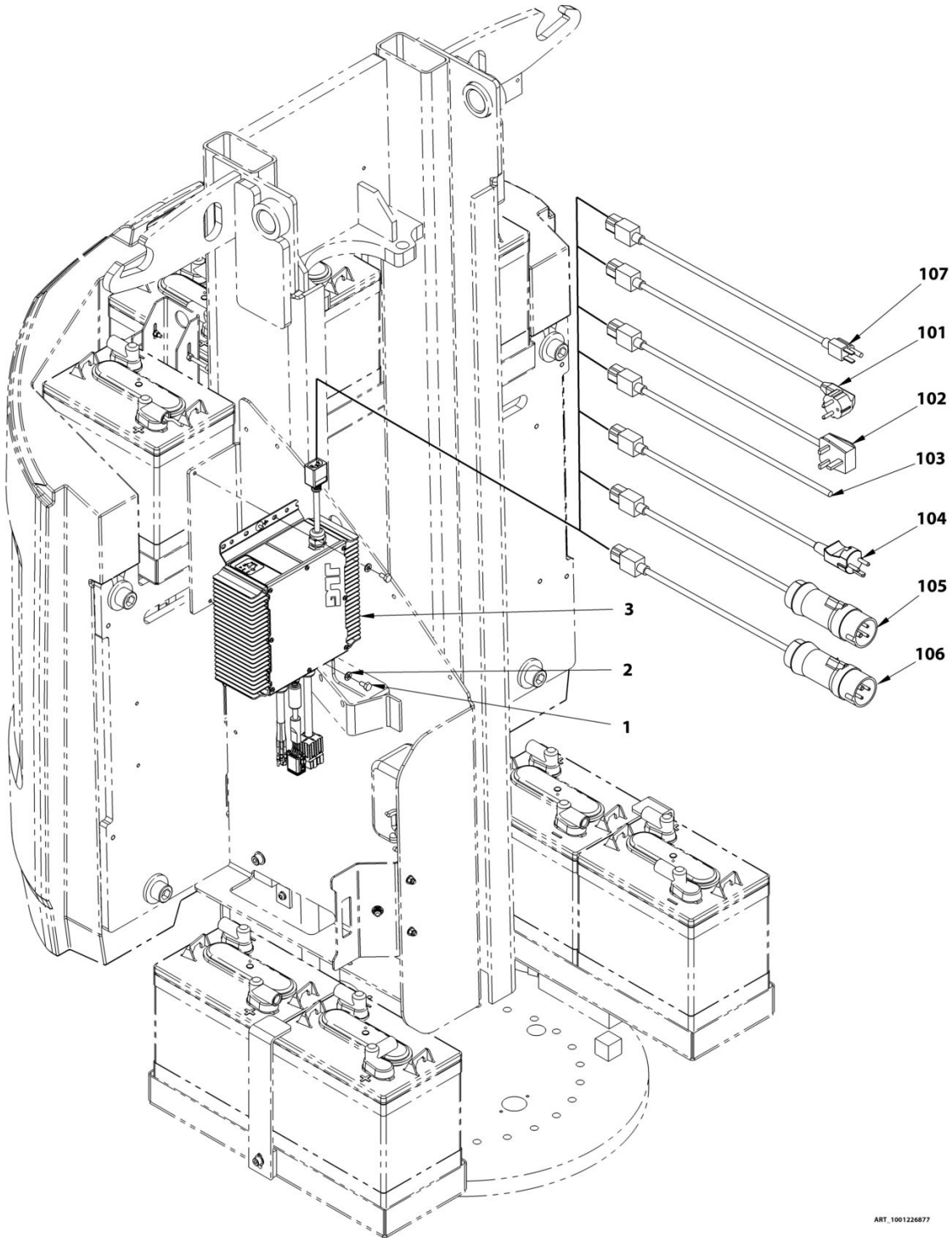
SECTION 9 - ELECTRICAL SYSTEM INSTALL / INSTALLATION ELECTRIQUE

FIGURE 9-3. LIMIT SWITCHES AND COVERS / INSTALLATION CAPTEURS

ITEM	PART NUMBER	QTY	DESCRIPTION	REV
0	SA0123	Ref	LIMIT SWITCHES AND COVERS / CAPTEURS ET COUVERCLES	A
1	000007	16	M04x30 8.8 SOCKET HEAD CAP SCREW / VIS CHC M04x30 8.8 BI FP	
2	000014	2	M06x12 8.8 SOCKET HEAD MACH SCREW / VIS CHC M06x12 8.8 BI FT	
3	000050	3	M04x10 8.8 SOCKET HEAD MACH SCREW / VIS CHC M04x10 8.8 BI FT	
4	000067	2	M05x12 8.8 SOCKET HEAD MACH SCREW / VIS CHC M05x12 8.8 BI FT	
5	100098	2	M06X16 8.8 SOCKET HEAD MACH SCREW / VIS H M06x16 8.8 BI FT	
6	120002	2	WASHER D05x10 / RONDELLE M05 BI	
7	120009	4	LOCK WASHER D06X14 / RONDELLE CONTACT dD 06x14 BI	
8	120024	19	LOCK WASHER D06x10 / RONDELLE CONTACT M4 BI	
9	160010	4	SPRING, D13XD4.5xL32 / RESSORT C 360 450 320	
10	1321293	2	CLAMP, CABLE / COLLIER ISOLE	
11	4000008	1	SENSOR, PROXIMITY ASSEMBLY / FAISCEAU DETECTEUR DE PROXIMITE	
12	1001151895	1	SENSOT, TILT / INDICATEUR DEVERS	
13	1001152091	1	HARNESS, JIB SWITCH / FAISCEAU CAPTEUR BRAS	
14	1001157803	3	SWITCH, CHAIN SLACK L1 / CAPTEUR MOU DE CHAINE L1	
15	1001157804	1	SWITCH, CHAIN SLACK L2 / CAPTEUR MOU DE CHAINE L2	
16	280013	0.58	TUBE, SPILT GROOVED / GAINE ANNELEE FENDUE	
17	400081	0.05	CLAMP, EDGE GUARD / COUVRE JOINT	
18	4360505	1	SWITCH, ROTARY ANGLE SENSOR / CAPTEUR D'ANGLE	
19	SD0345	1	SUPPORT, CHAIN SLACK SW / SUPPORT CAPTEUR	
20	SD0464	3	SUPPORT, CHAIN SLACK SW / SUPPORT CAPTEUR	
21	ST3226	1	PLATE, D. O. S SWITCH MOUNT / PLATINE CAPTEUR D'ORIENTATION	
22	ST3227	1	PLATE ROTRY SWITCH MOUNT / PLATINE CAPTEUR ROTATIF	
23	ST3657	1	COVER, CONNECTORS / COUVERCLE CONNECTEURS	
24	US0203	2	ACTUATOR, M20 / ACTIONNEUR M20	
25	US0204	1	ACTUATOR, M16 / ACTIONNEUR M16	
26	US0208	1	ACTUATOR, M14 / ACTIONNEUR M14	

SECTION 9 - ELECTRICAL SYSTEM INSTALL / INSTALLATION ELECTRIQUE

FIGURE 9-4. CHARGER INSTALL / INSTALLATION CHARGEUR



ART_1001226877

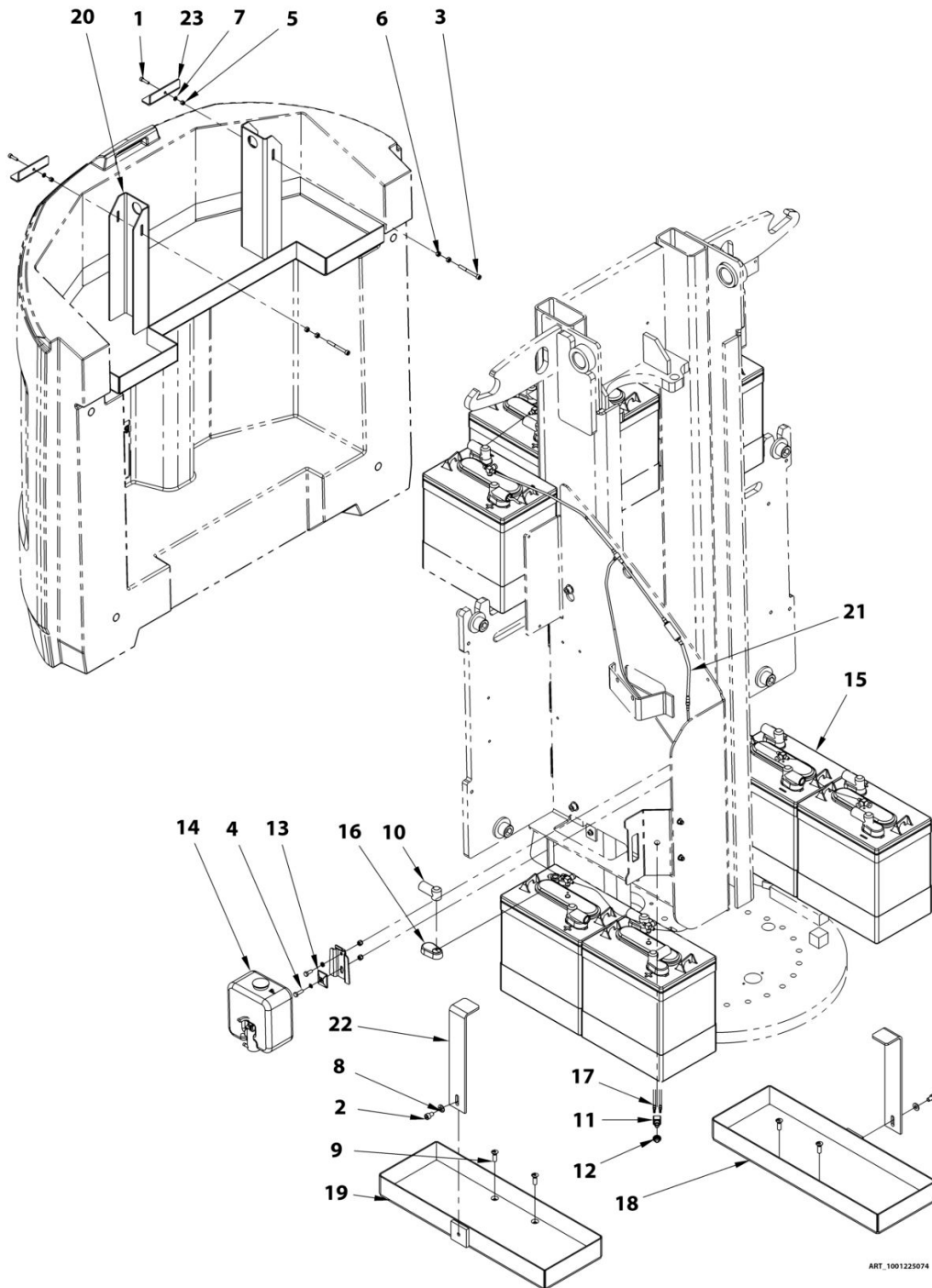
SECTION 9 - ELECTRICAL SYSTEM INSTALL / INSTALLATION ELECTRIQUE

FIGURE 9-4. CHARGER INSTALL / INSTALLATION CHARGEUR

ITEM	PART NUMBER	QTY	DESCRIPTION	REV
0	1001226877	Ref	CHARGER INSTALL / INSTALLATION CHARGEUR	B
1	100027	2	M06x12 8.8 HEX HEAD MACHINE SCREW / VIS H M06x12 8.8 BI FT	
2	120009	2	dD 06x14 LOCK WASHER / rondelle contact dd 06x14 biq	
3	1001152650	1	BATTERY CHARGER, 48 VOLTS / CHARGEUR BATTERIES, 48V	
100		Ref	CHARGER EXTENSION / PRISE CHARGEUR	
101	250211	1	CABLE IEC22 / PLUG CEE7 2m 10A / CORDON IEC22 / FICHE CEE7 2m 10A	
102	250213	1	CABLE IEC22 / PLUG BS1362 2m 10A / CORDON IEC22 / FICHE BS1362 2m 10A	
103	1060689	1	CABLE AC CORD, W/O PLUG, L=2m / CABLE AC CHARGEUR, SANS PRISE, L=2m	
104	PC0494	1	230V CEE7 POWER SUPPLY CABLE, KEYED / CABLE ALIMENTATION 230V CEE7, POLARISE	
105	PC0495	1	230V IEC60309 POWER SUPPLY CABLE / CABLE ALIMENTATION 230V CEI60309	
106	PC0496	1	115V IEC60309 POWER SUPPLY CABLE / CABLE ALIMENTATION 115V CEI60309	
107	1060688	1	CABLE AC CORD, US PLUG, L=2m / CABLE AC CHARGEUR, US, L=2m	

SECTION 9 - ELECTRICAL SYSTEM INSTALL / INSTALLATION ELECTRIQUE

FIGURE 9-5. FLOODED BATTERY (STANDARD) INSTALL / INSTALLATION BATTERIES A FLOTTEURS (STANDARD)



ART. 1001235074

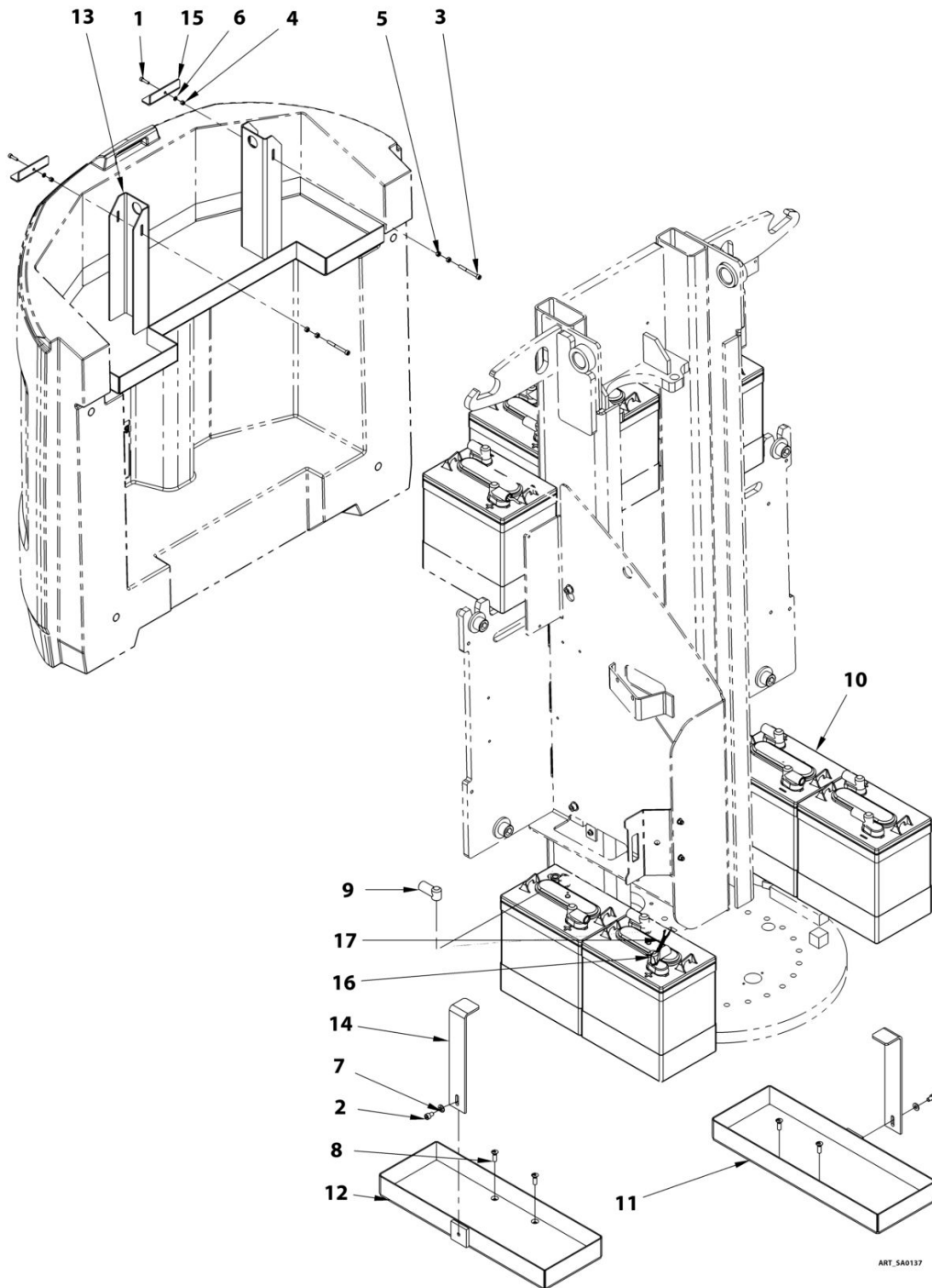
SECTION 9 - ELECTRICAL SYSTEM INSTALL / INSTALLATION ELECTRIQUE

FIGURE 9-5. FLOODED BATTERY (STANDARD) INSTALL / INSTALLATION BATTERIES A FLOTTEURS (STANDARD)

ITEM	PART NUMBER	QTY	DESCRIPTION	REV
	1001225074	Ref	FLOODED BATTERY INSTALL / INSTALLATION BATTERIES A FLOTTEURS	A
1	000010	2	M05x20 8.8 SOCKET HEAD MACH SCREW / VIS CHC M05x20 8.8 BI FT	
2	000042	2	M08x12 8.8 SOCKET HEAD MACH SCREW / VIS CHC M08x12 8.8 BI FT	
3	000076	2	M06x60 8.8 SOCKET HEAD CAP SCREW / VIS CHC M06x60 8.8 BI FT	
4	100005	1	M06x20 8.8 HEX HEAD MACHINE SCREW / VIS H M06x20 8.8 BI FT	
5	110002	2	M05 GR08 LOCK NUT / ECROU FREIN M5 CL08 BI	
6	110015	4	NUT H M6-8 / ECROU H M06 CL08	
7	120002	2	M05 WASHER / RONDELLE M05 BI	
8	120010	2	dD 08x18 LOCK WASHER / RONDELLE CONTACT dD 08x18 BI	
9	130068	4	M08X25 A4-70 COUNTERSUNK HEAD MS / VIS FHC M08x25 A4-70 FT	
10	250031	16	TERMINAL BOOT / CAPUCHON D'ETANCHEITE	
11	260259	1	PUSH BUTTON MOM NO / BOUTON POUSSOIR MOMENTANE NO	
12	260260	1	PUSH BUTTON SEAL CAP / CAPUCHON ETANCHEITE B. P	
13	400012	1	CLAMP COVER PLATE T1 / PLAQUE DE SERRAGE T1	
14	400093	1	WATER CAN KIT / KIT BIDON D'EAU	
15	510093	8	BATTERY, 6V 260AH-20H / BATTERIE,6V 260AH-20H	
16	0840060	16	BOOT BATTERY TERMINALS / CAPUCHON BATTERIE	
17	PC0548	1	HARNESS, BATTERY FILLING / FAISCEAU REMPLISSAGE BATTERIE	
18	DL0902	1	CONTAINER, BATTERY, RIGHT / BAC BATTERIES DROIT	
19	DL0903	1	CONTAINER, BATTERY, LEFT / BAC BATTERIES GAUCHE	
20	DL0904	1	CONTAINER, BATTERY, TOP / BAC BATTERIES HAUT	
21	1001225073	1	INSTALL, WATER FILLING NETWORK / RESEAU DE REMPLISSAGE BATTERIES	
22	ST3632	2	PLATE BATTERY HOLDER / EQUERRE DE MAINTIEN BATTERIE	
23	ST3647	2	PLATE BATTERY STOP / EQUERRE DE MAINTIEN BATTERIE	

SECTION 9 - ELECTRICAL SYSTEM INSTALL / INSTALLATION ELECTRIQUE

FIGURE 9-6. AGM/GEL BATTERY (OPTION) INSTALL / INSTALLATION BATTERIES AGM/GEL (OPTION)



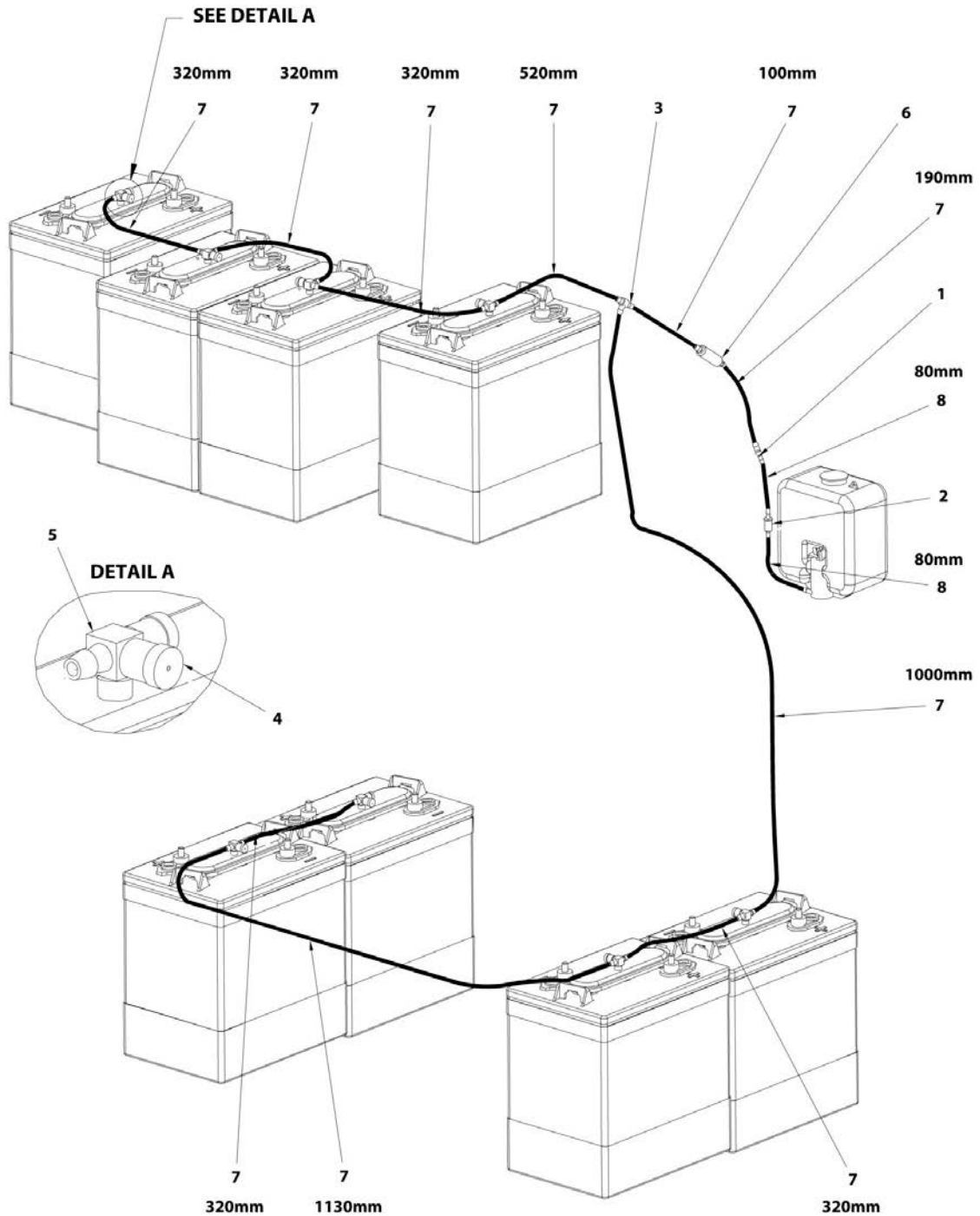
SECTION 9 - ELECTRICAL SYSTEM INSTALL / INSTALLATION ELECTRIQUE

FIGURE 9-6. AGM/GEL BATTERY (OPTION) INSTALL / INSTALLATION BATTERIES AGM/GEL (OPTION)

ITEM	PART NUMBER	QTY	DESCRIPTION	REV
	SA0137	Ref	BATTERIES INSTALL, AGM / INSTALLATION BATTERIES AGM	E
1	000010	2	M05x20 8.8 SOCKET HEAD MACH SCREW / VIS CHC M05x20 8.8 BI FT	
2	000042	2	M08x12 8.8 SOCKET HEAD MACH SCREW / VIS CHC M08x12 8.8 BI FT	
3	000076	2	M06x60 8.8 SOCKET HEAD CAPSCREW / VIS CHC M06x60 8.8 BI FT	
4	110002	2	M05 GR08 LOCK NUT / ECROU FREIN M5 CL08 BI	
5	110015	4	NUT H M6- 8 / ECROU H M06 CL08	
6	120002	2	M05 WASHER / RONDELLE M05 BI	
7	120010	2	dD 08x18 LOCK WASHER / RONDELLE CONTACT dD 08x18 BI	
8	130068	4	M08X25 A4-70 COUNTERSUNK HEAD MS / VIS FHC M08x25 A4-70 FT	
9	250031	16	TERMINAL BOOT / CAPUCHON D'ETANCHEITE	
10	510094	8	BATTERY, AGM, 6V 255AH-20H / BATTERIE AGM,6V 255AH-20H	
11	DL0902	1	CONTAINER, BATTERY, RIGHT / BAC BATTERIES DROIT	
12	DL0903	1	CONTAINER, BATTERY, LEFT / BAC BATTERIES GAUCHE	
13	DL0904	1	CONTAINER, BATTERY, TOP / BAC BATTERIES HAUT	
14	ST3632	2	PLATE BATTERY HOLDER / EQUERRE DE MAINTIEN BATTERIE	
15	ST3647	2	PLATE BATTERY STOP / EQUERRE DE MAINTIEN BATTERIE	
16	1001112113	1	SENSOR, TEMPERATURE / CAPTEUR DE TEMPERATURE	
17	4460509	2	TERMINAL, 10-12 SOCKETCOSSES / CONNECTEUR DEUTSCHAWG 12-14	

SECTION 9 - ELECTRICAL SYSTEM INSTALL / INSTALLATION ELECTRIQUE

FIGURE 9-7. WATER FILLING NETWORK KIT / KIT REMPLISSAGE CENTRALISE



ART. 1001223072

SECTION 9 - ELECTRICAL SYSTEM INSTALL / INSTALLATION ELECTRIQUE

FIGURE 9-7. WATER FILLING NETWORK KIT / KIT REMPLISSAGE CENTRALISE

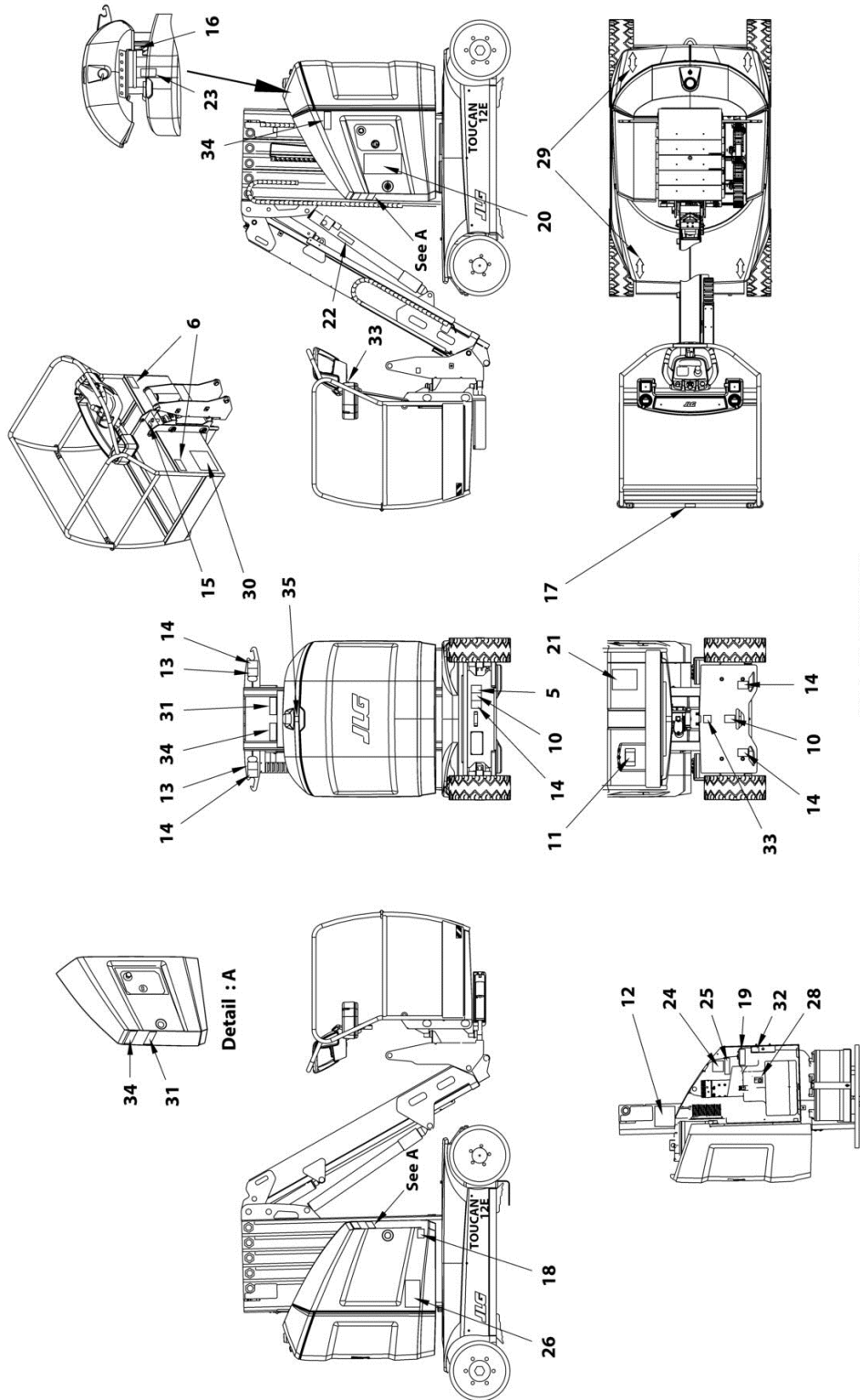
ITEM	PART NUMBER	QTY	DESCRIPTION	REV
	1001225073		NETWORK FILLING KIT / KIT REMPLISSAGE CENTRALISE	B
1	400059	1	4/6 REDUCTION / REDUCTION 4/6	
2	400086	1	CHECK VALVE / CLAPET ANTI-RETOUR	
3	950052	1	RUN TEE 06/06/06 / TE 06/06/06	
4	950219	10	CAP, HYDROLINK SYSTEM / BOUCHON HYDROLINK SYSTEM	
5	950220	8	TEE, HYDROLINK SYSTEM / TE HYDROLINK SYSTEM	
6	950221	1	FLOW INDICATOR Ø6 / INDICATEUR DE DEBIT Ø6	
7	950039	4.6 m	Ø6 PIPE (quantity indicated in meter) / TUYAU Ø 6 (quantité indiquée en mètre)	
8	950215	0.16 m	Ø4 PIPE (quantity indicated in meter) / TUYAU Ø 4 (quantité indiquée en mètre)	

SECTION 10 - DECALS INSTALL / INSTALLATION AUTOCOLLANTS

SECTION 10 - DECALS INSTALL / INSTALLATION AUTOCOLLANTS

SECTION 10 - DECALS INSTALL / INSTALLATION AUTOCOLLANTS

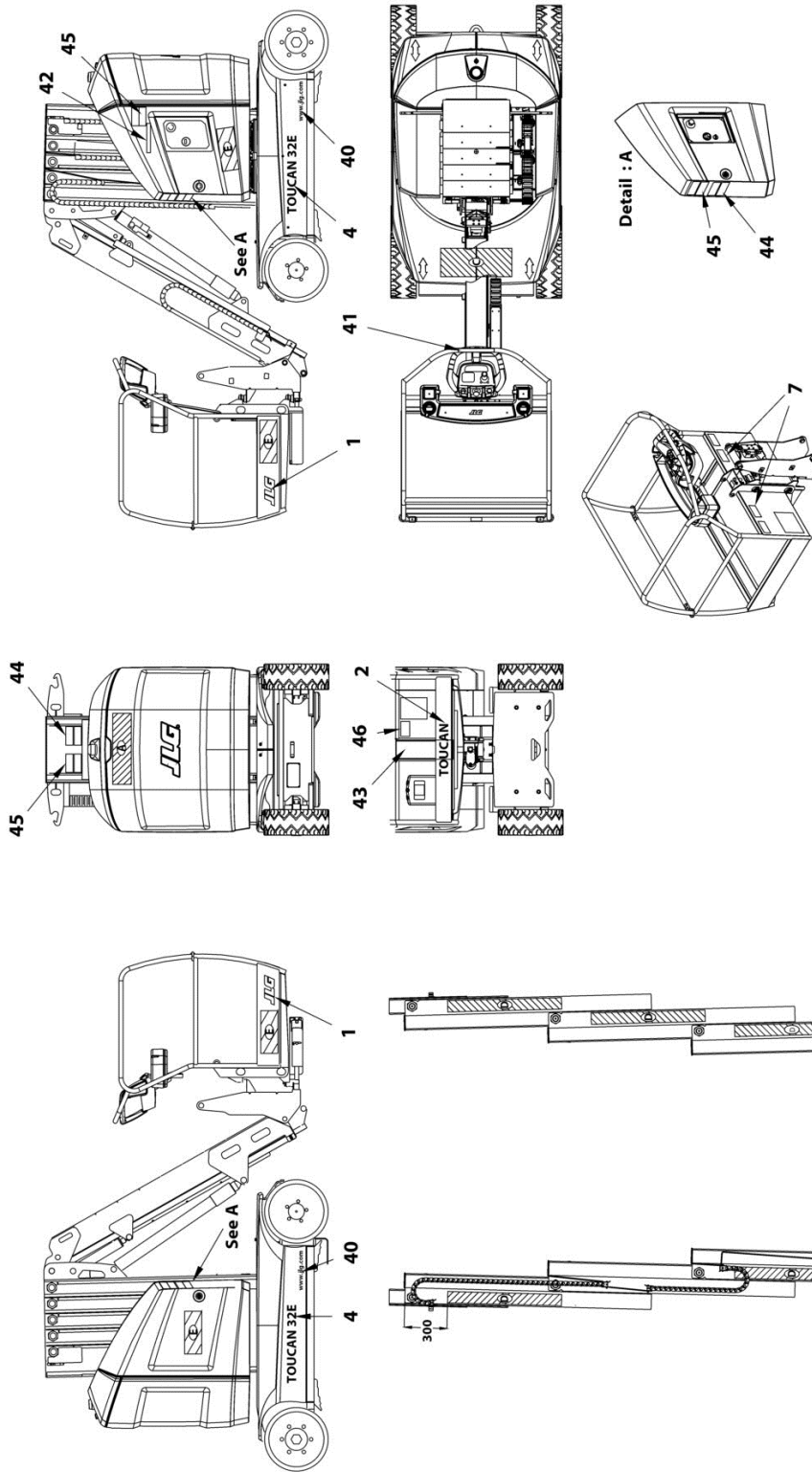
FIGURE 10-1. 32E DECALS - ANSI 92.5 / 32E - AUTOCOLLANTS - ANSI 92.5 (32E Prior to SN A300058355)



ART-1001220845A

ALL MARKETS

SECTION 10 - DECALS INSTALL / INSTALLATION AUTOCOLLANTS



ART. 100120045C

SECTION 10 - DECALS INSTALL / INSTALLATION AUTOCOLLANTS

FIGURE 10-1. 32E DECALS - ANSI 92.5 / 32E - AUTOCOLLANTS - ANSI 92.5 (32E Prior to SN A300058355)

ITEM	PART NUMBER	QTY	DESCRIPTION	REV
		Ref	T32E DECALS - ANSI 92.5 / T32E - AUTOCOLLANTS - ANSI 92.5 (Prior to SN A300058355)	F
1	1705781	2	DECAL, JLG 2.75" / AUTOCOLLANT, JLG	
2	AU1825	1	DECAL, FRONT BASKET TOUCAN / LOGO TOUCAN AVANT PANIER	
3	Not Required	1	NOT REQUIRED / NON REQUIS	
4	AU2198	2	DECAL, MODEL 32E / AUTOCOLLANT, MODELE 32E	
5	AU2199	1	DECAL, WHEEL LOADS 32E / AUTOCOLLANT, CHARGE SUR ROUE 32E	
6	AU2119	2	ENGLISH - DECAL, HAND CRUSHING HAZARD (WITH PLATFORM ROTATION ONLY) / ANGLAIS - AUTOCOLLANT RISQUE D'ECRASEMENT (AVEC OPTION ROTATION PLATE-FORME)	
6	AU2147	2	SPANISH - DECAL, HAND CRUSHING HAZARD (WITH PLATFORM ROTATION ONLY) / ESPAGNOL - AUTOCOLLANT RISQUE D'ECRASEMENT (AVEC OPTION ROTATION PLATE-FORME)	
7	AU2152	2	PORTUGUESE - DECAL, HAND CRUSHING HAZARD (WITH PLATFORM ROTATION ONLY) / PORTUGAIS - AUTOCOLLANT RISQUE D'ECRASEMENT (AVEC OPTION ROTATION PLATE-FORME)	
7	AU2119	1	ENGLISH - DECAL, HAND CRUSHING HAZARD (WITH PLATFORM ROTATION ONLY) / ANGLAIS - AUTOCOLLANT RISQUE D'ECRASEMENT (AVEC OPTION ROTATION PLATE-FORME)	
7	AU2140	2	FRENCH - DECAL, HAND CRUSHING HAZARD (WITH PLATFORM ROTATION ONLY) / FRANCAIS - AUTOCOLLANT RISQUE D'ECRASEMENT (AVEC OPTION ROTATION PLATE-FORME)	
0	1001241874	1	DECALS, 32E ANSI ENGLISH / AUTOCOLLANTS T32E ANSI ANGLAIS	
0	1001241875	1	DECALS, 32E ANSI SPA-PORT / AUTOCOLLANTS T32E ANSI ESP-PORT	
0	1001241876	1	DECALS, 32E ANSI ENG-SPA / AUTOCOLLANTS T32E ANSI ANG-ESP	
0	1001241877	1	DECALS, 32E CSA / AUTOCOLLANTS T32E CANADA	
10	1701499	2	DECAL, NO TIE DOWN LIFT / AUTOCOLLANT, ARRIMAGE	
11	1001227848	1	DECAL, MANUAL / AUTOCOLLANT, MANUEL	
12	1702631	1	DECAL, BAR CODE / AUTOCOLLANT, CODE BARRE	
13	1703811	2	DECAL, LIFTING LUG / AUTOCOLLANT, ANNEAU DE LEVAGE	
14	1703814	5	DECAL, TIE DOWN / AUTOCOLLANT, ARRIMAGE	
15	1704277	1	DECAL, LANYARD ATTACH / AUTOCOLLANT, ATTACHE HARNAIS	
16	1703785	1	DECAL, ELEC HAZARD (DAN) / AUTOCOLLANT, DANGER-EXPLOSION	
17	1706493	1	DECAL, DROP BAR / AUTOCOLLANT, PORTILLON	
18	1706740	1	DECAL, BATTERY DISCONNECT / AUTOCOLLANT, DECONNEXION BATTERIE	
19	1001212355	1	ANSI - DECAL, DISTILLED WATER / ANSI - AUTOCOLLANT EAU DISTILLEE	
20	AU2121	1	ENGLISH - DECAL, SAFETY INSTRUCTIONS / ANGLAIS - AUTOCOLLANT CONSIGNES DE SECURITE	

SECTION 10 - DECALS INSTALL / INSTALLATION AUTOCOLLANTS

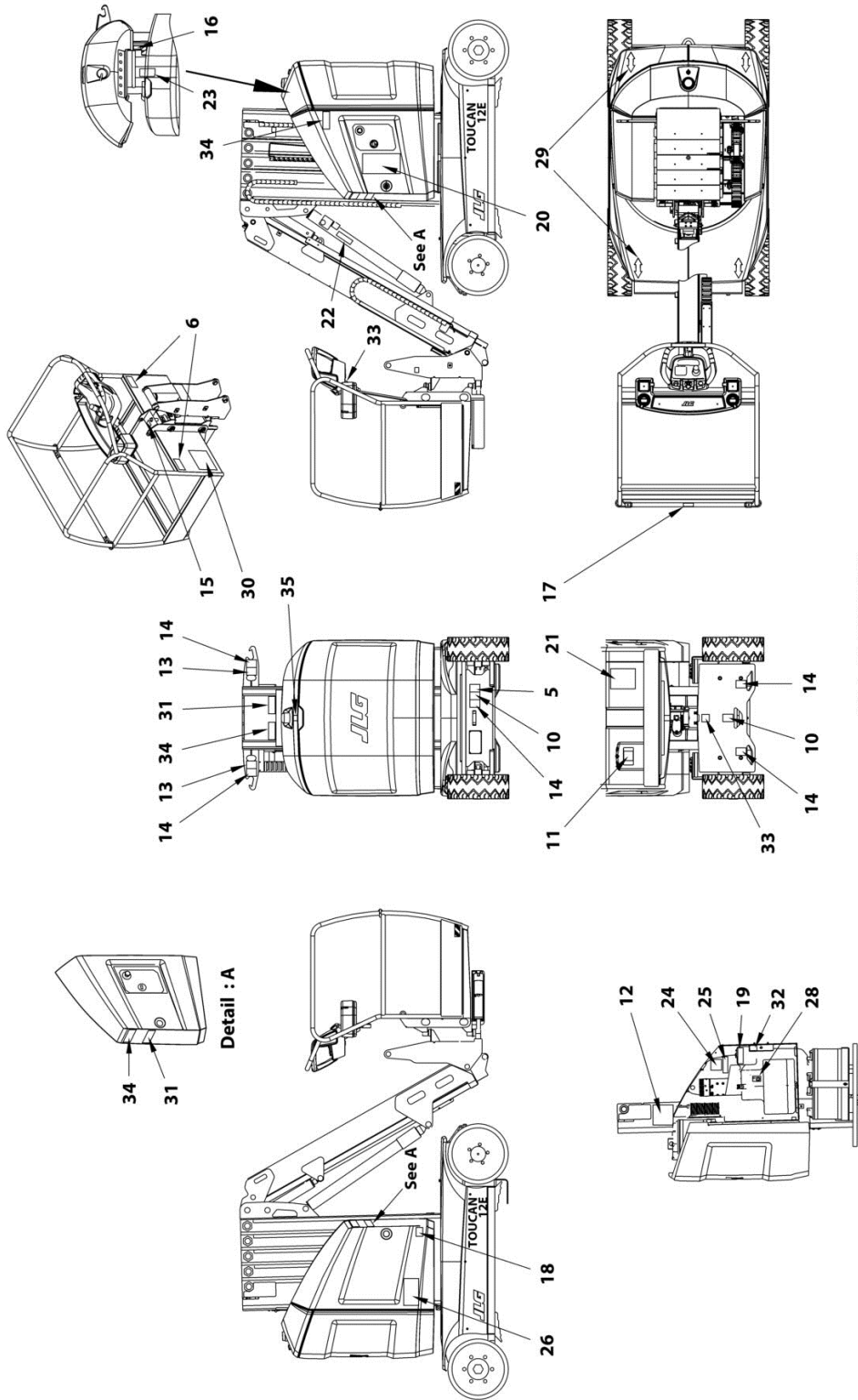
ITEM	PART NUMBER	QTY	DESCRIPTION	REV
20	AU2203	1	SPA-PORT - DECAL,SAFETY INSTRUCTIONS / ESP-PORT - AUTOCOLLANT CONSIGNES DE SECURITE	
20	AU2204	1	ENG-SPA - DECAL,SAFETY INSTRUCTIONS / ANG-ESP - AUTOCOLLANT CONSIGNES DE SECURITE	
20	AU2205	1	ENG-FRA - DECAL,SAFETY INSTRUCTIONS / ANG-FRA - AUTOCOLLANT CONSIGNES DE SECURITE	
21	AU2120	1	ENGLISH - DECAL,LOADS & SAFETY INSTRUCTIONS / ANGLAIS - AUTOCOLLANT CHARGES ET CONSIGNES	
21	AU2148	1	SPANISH - DECAL,LOADS & SAFETY INSTRUCTIONS / ESPAGNOL - AUTOCOLLANT CHARGES ET CONSIGNES	
21	AU2141	1	FRENCH - DECAL,LOADS & SAFETY INSTRUCTIONS / FRANCAIS - AUTOCOLLANT CHARGES ET CONSIGNES	
22	1001226407	1	DECAL, JIB MANUAL DESCENT / AUTOCOLLANT,DESCENTE MANUELLE BRAS	
23	1001245245	1	DECAL,MAST MANUAL DESCENT / AUTOCOLLANT,DESCENTE MANUELLE MAT	
24	1001226409	1	DECAL,MANUAL ORIENTATION / AUTOCOLLANT,ORIENTATION MANUELLE	
25	1001226410	1	DECAL,JIB MANUAL RAISING / AUTOCOLLANT,MONTEE MANUELLE BRAS	
26	1001226411	1	DECAL,EMERGENCY CONTROLS / AUTOCOLLANT,COMMANDES SECOURS	
28	AU2097	1	DECAL, OIL LEVEL / AUTOCOLLANT,NIVEAU D'HUILE	
29	AU0149	4	DECAL, RIP DRIVER DIR.FIG T100U / AUTOCOLLANT, REP SENS MARCHE	
30	AU2101	1	DECAL, TIE DOWN AND LIFTING / AUTOCOLLANT ARRIMAGE	
31	AU2118	3	ENGLISH - DECAL, ELECTROCUTION / ANGLAIS - AUTOCOLLANT RISQUE ELECTROCUTION	
31	AU2150	3	SPANISH - DECAL, ELECTROCUTION / ESPAGNOL - AUTOCOLLANT RISQUE ELECTROCUTION	
31	AU2144	3	FRENCH - DECAL, ELECTROCUTION / FRANCAIS - AUTOCOLLANT RISQUE ELECTROCUTION	
32	AU2104	1	DECAL, BATTERY FILLING / AUTOCOLLANT REMPLISSAGE BATTERIE	
33	AU2105	2	DECAL, NO KARCHER / AUTOCOLLANT KARCHER	
34	AU2117	4	ENGLISH - DECAL, CRUSHING HAZARD / ANGLAIS - AUTOCOLLANT RISQUE ECRASEMENT	
34	AU2149	4	SPANISH - DECAL, CRUSHING HAZARD / ESPAGNOL - AUTOCOLLANT RISQUE ECRASEMENT	
35	AU2229	1	DECAL,BATTERY CHARGER PLUG / AUTOCOLLANT PRISE CHARGEUR	
40	1704885	2	DECAL,WEBSITE / AUTOCOLLANT SITE WEB	
41	AU2201	1	DECAL, PLF LEGEND / AUTOCOLLANT LEGENDE BOITIER HAUT	
42	AU2202	1	DECAL, MTB LEGEND / AUTOCOLLANT LEGENDE BOITIER BAS	
43	AU2153	1	PORTUGUESE - DECAL,LOADS & SAFETY INSTRUCTIONS / PORTUGAIS - AUTOCOLLANT CHARGES ET CONSIGNES	
43	AU2120	1	ENGLISH - DECAL,LOADS & SAFETY INSTRUCTIONS / ANGLAIS - AUTOCOLLANT CHARGES ET CONSIGNES	
44	AU2155	3	PORTUGUESE - DECAL, ELECTROCUTION HAZARD / PORTUGAIS - AUTOCOLLANT RISQUE ELECTROCUTION	
44	AU2118	3	ENGLISH - DECAL, ELECTROCUTION HAZARD / ANGLAIS - AUTOCOLLANT RISQUE ELECTROCUTION	
45	AU2154	4	PORTUGUESE - DECAL, CRUSHING HAZARD / PORTUGAIS - AUTOCOLLANT RISQUE ECRASEMENT	
45	AU2117	4	ENGLISH - DECAL, CRUSHING HAZARD / ANGLAIS - AUTOCOLLANT RISQUE ECRASEMENT	

SECTION 10 - DECALS INSTALL / INSTALLATION AUTOCOLLANTS

ITEM	PART NUMBER	QTY	DESCRIPTION	REV
45	AU2143	4	FRENCH - DECAL, CRUSHING HAZARD / FRANCAIS - AUTOCOLLANT RISQUE ECRASEMENT	
46	1001231801	1	DECAL,WARNING PROP 65 / AUTOCOLLANT ATTENTION PROP65	

SECTION 10 - DECALS INSTALL / INSTALLATION AUTOCOLLANTS

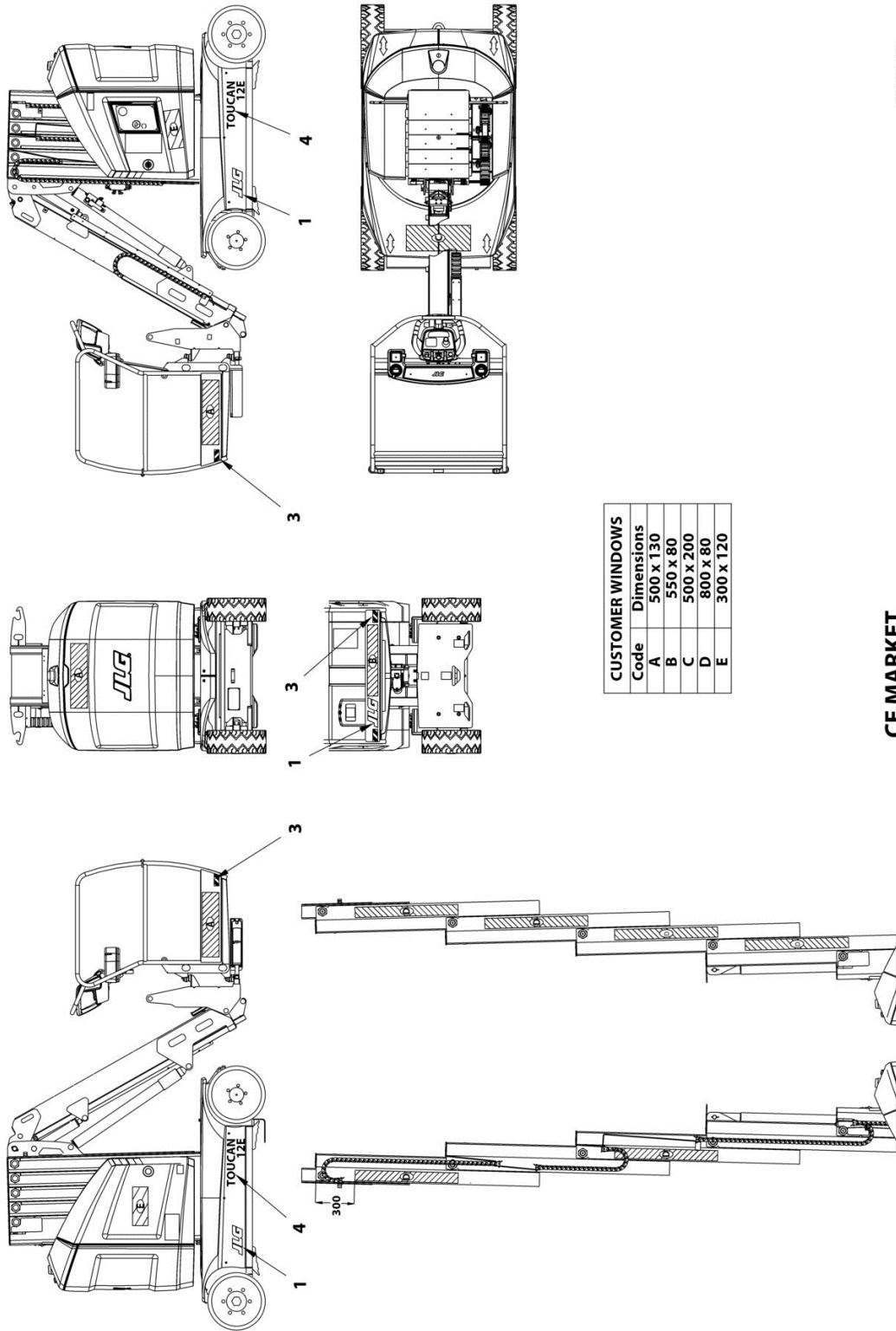
FIGURE 10-2. DECALS INSTALL - ALL MODELS / INSTALLATION AUTOCOLLANTS - TOUS



ALL MARKETS

REF. 100122845A

SECTION 10 - DECALS INSTALL / INSTALLATION AUTOCOLLANTS

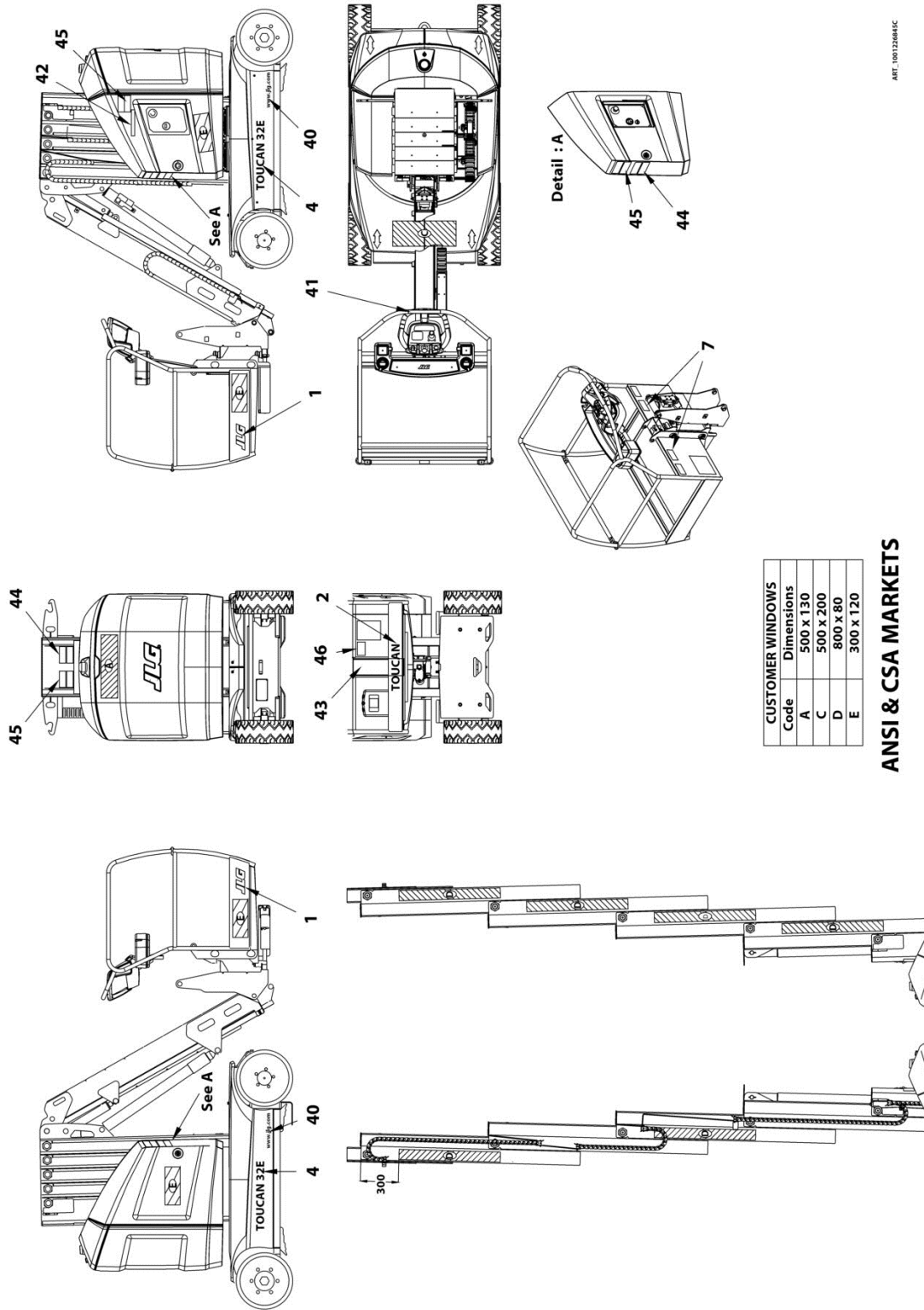


CUSTOMER WINDOWS	
Code	Dimensions
A	500 x 130
B	550 x 80
C	500 x 200
D	800 x 80
E	300 x 120

CE MARKET

ART. 100120649

SECTION 10 - DECALS INSTALL / INSTALLATION AUTOCOLLANTS



ART. 1001204845C

ANSI & CSA MARKETS

SECTION 10 - DECALS INSTALL / INSTALLATION AUTOCOLLANTS

FIGURE 10-2. DECALS INSTALL / INSTALLATION AUTOCOLLANTS

ITEM	PART NUMBER	QTY	DESCRIPTION	REV
		Ref	DECALS INSTALL / INSTALLATION AUTOCOLLANTS	F
1	1705781	3	DECAL, JLG 2.75" / AUTOCOLLANT, JLG	
2	Not Required	1	NOT REQUIRED / NON REQUIS	
3	4420051	1 m	TAPE, SAFETY / RUBAN DE SECURITE	
4	1001220463	2	DECAL, MODEL DESIGNATION 12E / AUTOCOLLANT MODELE 12E	
4	1001220464	2	DECAL, MODEL DESIGNATION 12E Plus / AUTOCOLLANT MODELE 12E Plus	
5	AU2193	1	DECAL, LOAD ON WHEEL, 12E / AUTOCOLLANT CHARGE SUR ROUES 12E	
5	AU2194	1	DECAL, LOAD ON WHEEL, 12E Plus / AUTOCOLLANT CHARGE SUR ROUES 12E Plus	
6	AU2107	2	DECAL, HAND CRUSHING HAZARD (WITH PLATFORM ROTATION ONLY) / AUTOCOLLANT RISQUE D'ECRASEMENT (AVEC OPTION ROTATION PLATE-FORME)	
7	Not Required	1	NOT REQUIRED / NON REQUIS	
0	1001226844	1 Ref	DECALS, 12E-12E Plus CE / AUTOCOLLANTS 12E-12E Plus CE	C
10	1701499	2	DECAL, NO TIE DOWN/LIFT / AU ARRIMAGE	
11	1001227848	1	DECAL, MANUAL / AUTOCOLLANT, MANUEL	
12	1702631	1	DECAL, BAR CODE / AUTOCOLLANT, CODE BARRE	
13	1703811	2	DECAL, LIFTING LUG / AUTOCOLLANT, ANNEAU DE LEVAGE	
14	1703814	5	DECAL, TIE DOWN / AUTOCOLLANT, ARRIMAGE	
15	1704277	1	DECAL, LANYARD ATTACH / AUTOCOLLANT, ATTACHE HARNAIS	
16	1705803	1	DECAL, ELEC HAZARA(DAN) / AUTOCOLLANT, RISQUES ELECTRIQUES	
17	1706493	1	DECAL, DROP BAR / AU RISQUE DE CHUTE SOUS-LISSE	
18	1706740	1	DECAL, BATTERY DISCONNECT / AUTOCOLLANT, DECONNEXION BATTERIE	
19	1001212356	1	CE - DECAL, DISTILLED WATER / CE - AUTOCOLLANT EAU DISTILLEE	
20	AU2109	1	DECAL, INSTRUCTION AND LOADS / AUTOCOLLANT CONSIGNES ET CHARGES	
21	AU2102	1	DECAL, LOAD AND INSTRUCTIONS / AUTOCOLLANT CHARGES ET CONSIGNE	
22	1001226407	1	DECAL, JIB MANUAL DESCENT / AUTOCOLLANT, DESCENTE MANUELLE BRAS	
23	1001245245	1	DECAL, MAST MANUAL DESCENT / AUTOCOLLANT, DESCENTE MANUELLE MAT	
24	1001226409	1	DECAL, MANUAL ORIENTATION / AUTOCOLLANT, ORIENTATION MANUELLE	
25	1001226410	1	DECAL, JIB MANUAL RAISING / AUTOCOLLANT, MONTEE MANUELLE BRAS	
26	1001226411	1	DECAL, EMERGENCY CONTROLS / AUTOCOLLANT, COMMANDES SECOURS	
28	AU2097	1	DECAL, OIL LEVEL / AUTOCOLLANT, NIVEAU D'HUILE	
29	AU0149	4	DECAL, RIP DRIVER DIR.FIG T100U / AUTOCOLLANT, REP SENS MARCHE	
30	AU2101	1	DECAL, TIE DOWN AND LIFTING / AUTOCOLLANT ARRIMAGE	
31	AU2103	3	DECAL, ELECTROCUTION / AUTOCOLLANT ELECTROCUTION	
32	AU2104	1	DECAL, BATTERY FILLING / AUTOCOLLANT REMPLISSAGE BATTERIE	
33	AU2105	2	DECAL, NO KARCHER / AUTOCOLLANT KARCHER	

SECTION 10 - DECALS INSTALL / INSTALLATION AUTOCOLLANTS

ITEM	PART NUMBER	QTY	DESCRIPTION	REV
34	AU2108	4	DECAL, CRUSHING HAZARD / AUTOCOLLANT ECRASEMENT	
35	AU2229	1	DECAL,BATTERY CHARGER PLUG / AUTOCOLLANT PRISE CHARGEUR	
40	Not Required	1	NOT REQUIRED / NON REQUIS	
41	Not Required	1	NOT REQUIRED / NON REQUIS	
42	Not Required	1	NOT REQUIRED / NON REQUIS	
43	Not Required	1	NOT REQUIRED / NON REQUIS	
44	Not Required	1	NOT REQUIRED / NON REQUIS	
45	Not Required	1	NOT REQUIRED / NON REQUIS	
46	Not Required	1	NOT REQUIRED / NON REQUIS	
		Ref	T32E DECALS / T32E - AUTOCOLLANTS	
1	1705781	2	DECAL, JLG 2.75" / AUTOCOLLANT,JLG	
2	AU1825	1	DECAL, FRONT BASKET TOUCAN / LOGO TOUCAN AVANT PANIER	
3	Not Required	1	NOT REQUIRED / NON REQUIS	
4	AU2198	2	DECAL, MODEL 32E / AUTOCOLLANT, MODELE 32E	
5	1001226846	1	DECAL,WHEEL LOADS 32E / AUTOCOLLANT, CHARGE SUR ROUE 32E	
6	AU2119	2	ENGLISH - DECAL, HAND CRUSHING HAZARD (WITH PLATFORM ROTATION ONLY) / ANGLAIS - AUTOCOLLANT RISQUE D'ECRASEMENT (AVEC OPTION ROTATION PLATE-FORME)	
6	AU2147	2	SPANISH - DECAL, HAND CRUSHING HAZARD (WITH PLATFORM ROTATION ONLY) / ESPAGNOL - AUTOCOLLANT RISQUE D'ECRASEMENT (AVEC OPTION ROTATION PLATE-FORME)	
7	AU2152	2	PORTUGUESE - DECAL, HAND CRUSHING HAZARD (WITH PLATFORM ROTATION ONLY) / PORTUGAIS - AUTOCOLLANT RISQUE D'ECRASEMENT (AVEC OPTION ROTATION PLATE-FORME)	
7	AU2119	1	ENGLISH - DECAL, HAND CRUSHING HAZARD (WITH PLATFORM ROTATION ONLY) / ANGLAIS - AUTOCOLLANT RISQUE D'ECRASEMENT (AVEC OPTION ROTATION PLATE-FORME)	
7	AU2140	2	FRENCH - DECAL, HAND CRUSHING HAZARD (WITH PLATFORM ROTATION ONLY) / FRANCAIS - AUTOCOLLANT RISQUE D'ECRASEMENT (AVEC OPTION ROTATION PLATE-FORME)	
0	1001226840	1 Ref	DECALS,32E ANSI ENGLISH / AUTOCOLLANTS T32E ANSI ANGLAIS	D
0	1001226841	1 Ref	DECALS,32E ANSI SPA-PORT / AUTOCOLLANTS T32E ANSI ESP-PORT	C
0	1001226842	1 Ref	DECALS,32E ANSI ENG-SPA / AUTOCOLLANTS T32E ANSI ANG-ESP	C
0	1001226843	1 Ref	DECALS,32E CSA / AUTOCOLLANTS T32E CANADA	C
10	1701499	2	DECAL, NO TIE DOWN/LIFT / AUTOCOLLANT, ARRIMAGE	
11	1001227848	1	DECAL,MANUAL / AUTOCOLLANT, MANUEL	
12	1702631	1	DECAL,BAR CODE / AUTOCOLLANT,CODE BARRE	
13	1703811	2	DECAL, LIFTING LUG / AUTOCOLLANT, ANNEAU DE LEVAGE	
14	1703814	5	DECAL, TIE DOWN / AUTOCOLLANT, ARRIMAGE	
15	1704277	1	DECAL, LANYARD ATTACH / AUTOCOLLANT, ATTACHE HARNAIS	
16	1703785	1	DECAL, ELEC HAZARA(DAN) / AUTOCOLLANT, DANGER-EXPLOSION	

SECTION 10 - DECALS INSTALL / INSTALLATION AUTOCOLLANTS

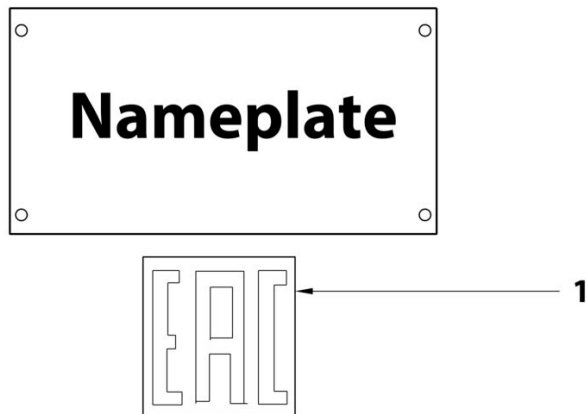
ITEM	PART NUMBER	QTY	DESCRIPTION	REV
17	1706493	1	DECAL,DROP BAR / AUTOCOLLANT,PORTILLON	
18	1706740	1	DECAL, BATTERY DISCONNECT / AUTOCOLLANT, DECONNEXION BATTERIE	
19	1001212355	1	ANSI - DECAL,DISTILLED WATER / ANSI - AUTOCOLLANT EAU DISTILLEE	
20	1001223845	1	ENGLISH - DECAL,SAFETY INSTRUCTIONS / ANGLAIS - AUTOCOLLANT CONSIGNES DE SECURITE	
20	1001223847	1	SPA-PORT - DECAL,SAFETY INSTRUCTIONS / ESP-PORT - AUTOCOLLANT CONSIGNES DE SECURITE	
20	1001223849	1	ENG-SPA - DECAL,SAFETY INSTRUCTIONS / ANG-ESP - AUTOCOLLANT CONSIGNES DE SECURITE	
20	1001223851	1	ENG-FRA - DECAL,SAFETY INSTRUCTIONS / ANG-FRA - AUTOCOLLANT CONSIGNES DE SECURITE	
21	1001223853	1	ENGLISH - DECAL,LOADS & SAFETY INSTRUCTIONS / ANGLAIS - AUTOCOLLANT CHARGES ET CONSIGNES	
21	1001223933	1	PORTUGUESE - DECAL,LOADS & SAFETY INSTRUCTIONS / PORTUGAIS- AUTOCOLLANT CHARGES ET CONSIGNES	
21	1001223935	1	SPANISH - DECAL,LOADS & SAFETY INSTRUCTIONS / ESPAGNOL - AUTOCOLLANT CHARGES ET CONSIGNES	
21	1001223937	1	FRENCH - DECAL,LOADS & SAFETY INSTRUCTIONS / FRANCAIS - AUTOCOLLANT CHARGES ET CONSIGNES	
22	1001226407	1	DECAL, JIB MANUAL DESCENT / AUTOCOLLANT,DESCENTE MANUELLE BRAS	
23	1001245245	1	DECAL,MAST MANUAL DESCENT / AUTOCOLLANT,DESCENTE MANUELLE MAT	
24	1001226409	1	DECAL,MANUAL ORIENTATION / AUTOCOLLANT,ORIENTATION MANUELLE	
25	1001226410	1	DECAL,JIB MANUAL RAISING / AUTOCOLLANT,MONTEE MANUELLE BRAS	
26	1001226411	1	DECAL,EMERGENCY CONTROLS / AUTOCOLLANT,COMMANDES SECOURS	
28	AU2097	1	DECAL, OIL LEVEL / AUTOCOLLANT,NIVEAU D'HUILE	
29	AU0149	4	DECAL, RIP DRIVER DIR.FIG T100U / AUTOCOLLANT, REP SENS MARCHE	
30	AU2101	1	DECAL, TIE DOWN AND LIFTING / AUTOCOLLANT ARRIMAGE	
31	AU2118	3	ENGLISH - DECAL, ELECTROCUTION / ANGLAIS - AUTOCOLLANT RISQUE ELECTROCUTION	
31	AU2150	3	SPANISH - DECAL, ELECTROCUTION / ESPAGNOL - AUTOCOLLANT RISQUE ELECTROCUTION	
31	AU2144	3	FRENCH - DECAL, ELECTROCUTION / FRANCAIS - AUTOCOLLANT RISQUE ELECTROCUTION	
32	AU2104	1	DECAL, BATTERY FILLING / AUTOCOLLANT REMPLISSAGE BATTERIE	
33	AU2105	2	DECAL, NO KARCHER / AUTOCOLLANT KARCHER	
34	AU2117	4	ENGLISH - DECAL, CRUSHING HAZARD / ANGLAIS - AUTOCOLLANT RISQUE ECRASEMENT	
34	AU2149	4	SPANISH - DECAL, CRUSHING HAZARD / ESPAGNOL - AUTOCOLLANT RISQUE ECRASEMENT	
35	AU2229	1	DECAL,BATTERY CHARGER PLUG / AUTOCOLLANT PRISE CHARGEUR	
40	1704885	2	DECAL,WEBSITE / AUTOCOLLANT SITE WEB	
41	AU2201	1	DECAL, PLF LEGEND / AUTOCOLLANT LEGENDE BOITIER HAUT	
42	AU2202	1	DECAL, MTB LEGEND / AUTOCOLLANT LEGENDE BOITIER BAS	
43	1001223855	1	SPANISH - DECAL,LOADS & SAFETY INSTRUCTIONS / ESPAGNOL - AUTOCOLLANT CHARGES ET CONSIGNES	
43	1001223853	1	ENGLISH - DECAL,LOADS & SAFETY INSTRUCTIONS /	

SECTION 10 - DECALS INSTALL / INSTALLATION AUTOCOLLANTS

ITEM	PART NUMBER	QTY	DESCRIPTION	REV
44	AU2155	3	ANGLAIS - AUTOCOLLANT CHARGES ET CONSIGNES PORTUGUESE - DECAL, ELECTROCUTION HAZARD / PORTUGAIS - AUTOCOLLANT RISQUE ELECTROCUTION	
44	AU2118	3	ENGLISH - DECAL, ELECTROCUTION HAZARD / ANGLAIS - AUTOCOLLANT RISQUE ELECTROCUTION	
45	AU2154	4	PORTUGUESE - DECAL, CRUSHING HAZARD / PORTUGAIS - AUTOCOLLANT RISQUE ECRASEMENT	
45	AU2117	4	ENGLISH - DECAL, CRUSHING HAZARD / ANGLAIS - AUTOCOLLANT RISQUE ECRASEMENT	
45	AU2143	4	FRENCH - DECAL, CRUSHING HAZARD / FRANCAIS - AUTOCOLLANT RISQUE ECRASEMENT	
46	1001231801	1 0.4m	DECAL,WARNING PROP 65 / AUTOCOLLANT PROP 65	

SECTION 10 - DECALS INSTALL / INSTALLATION AUTOCOLLANTS

FIGURE 10-3. INSTALL,DECAL,EAC (RUSSIA,CIS) / INSTALLATION AUTOCOLLANTS EAS (RUSSIE,CIS)



ART_1001214029

SECTION 10 - DECALS INSTALL / INSTALLATION AUTOCOLLANTS

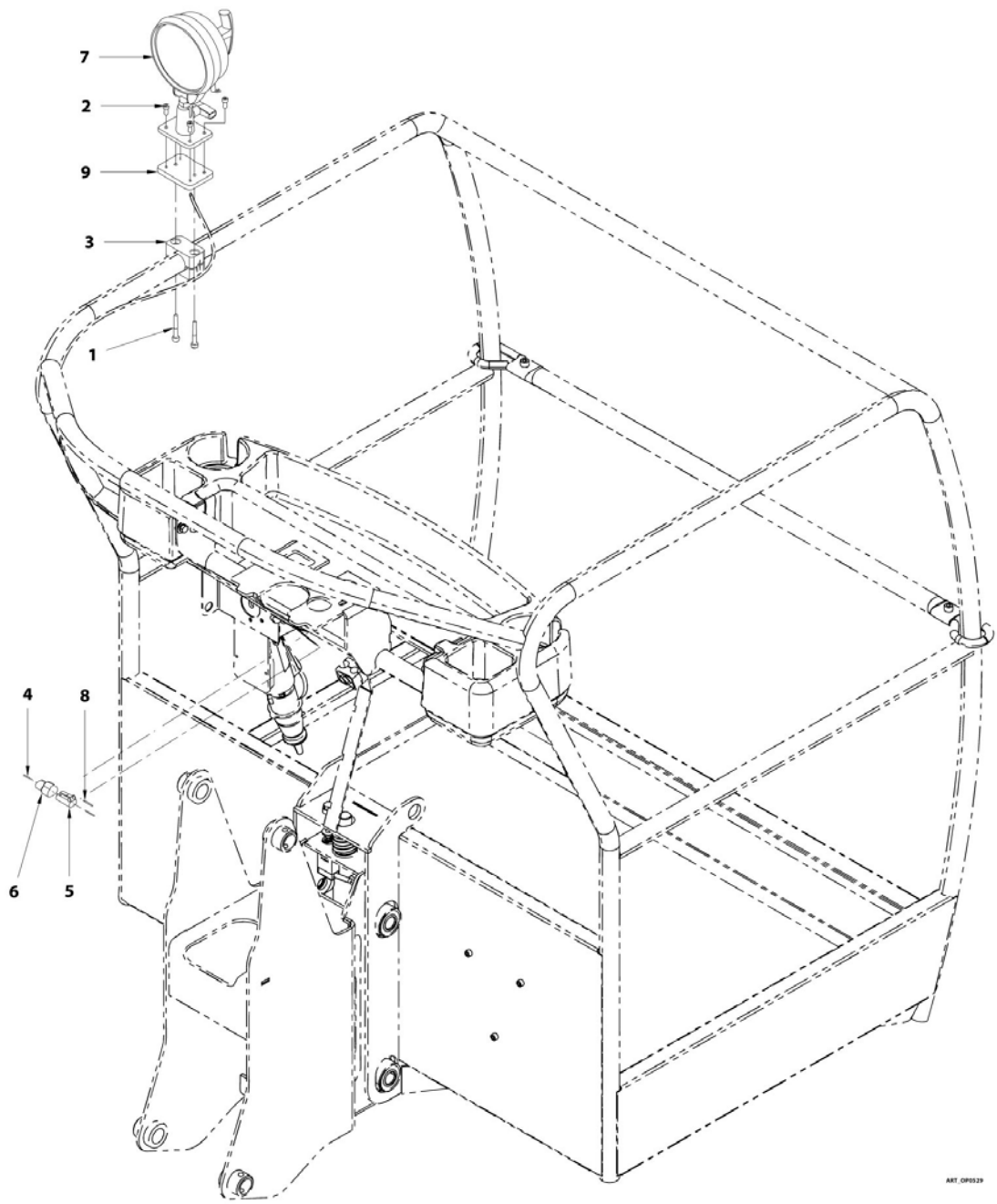
FIGURE 10-3. INSTALL,DECAL,EAC (RUSSIA,CIS) / INSTALLATION AUTOCOLLANTS EAS (RUSSIE,CIS)

ITEM	PART NUMBER	QTY	DESCRIPTION	REV
0	1001214029	Ref	INSTALL,DECAL,EAC (RUSSIA,CIS) / INSTALLATION AUTOCOLLANT EAS (RUSSIE, CIS)	
1	1001173703	1	DECAL,EAC / AUTOCOLLANT EAC	

SECTION 11 - OPTIONS / OPTIONS

SECTION 11 - OPTIONS / OPTIONS

FIGURE 11-1. PLATFORM WORK LIGHT INSTALL / INSTALLATION PHARE DE TRAVAIL



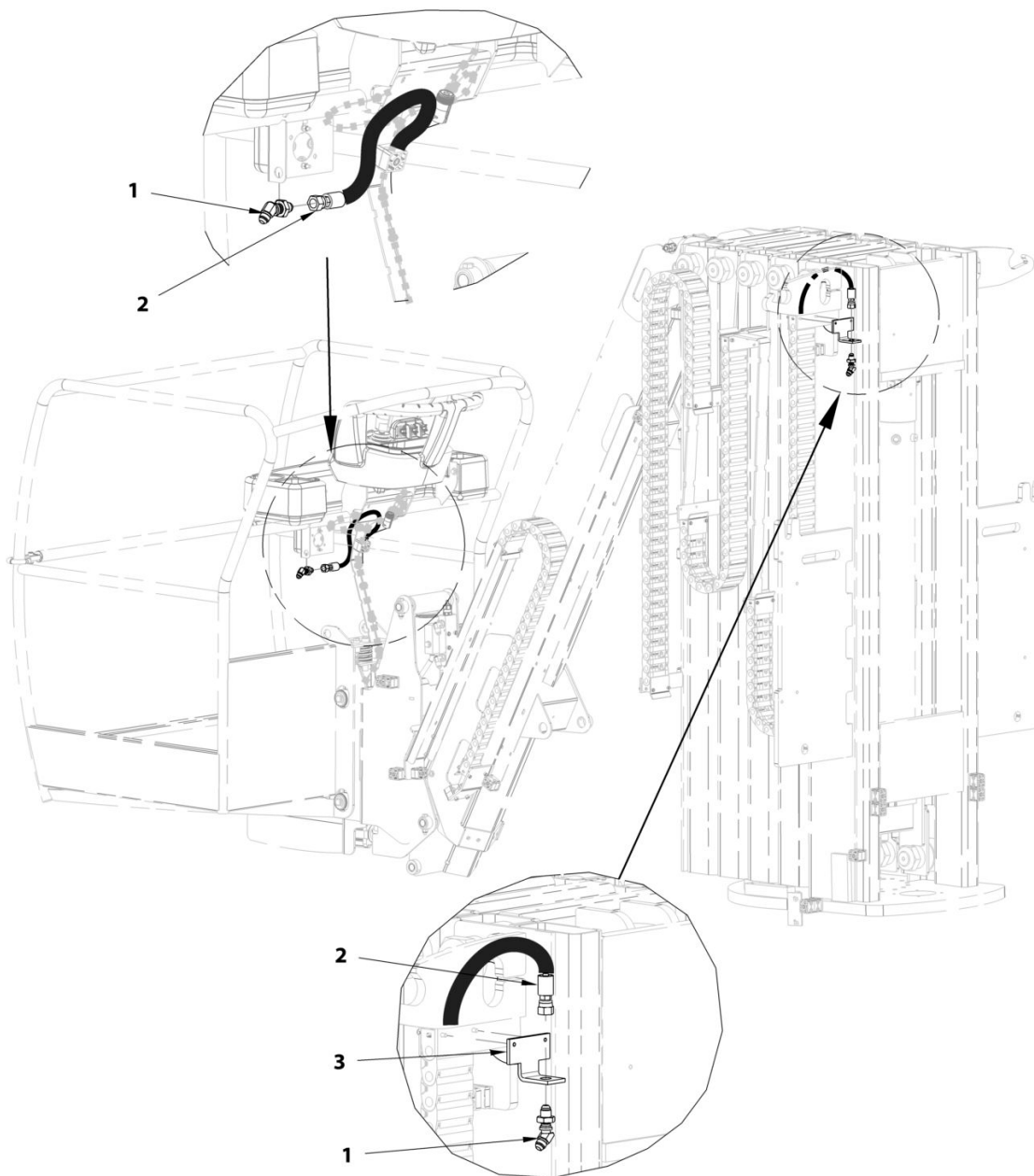
SECTION 11 - OPTIONS / OPTIONS

FIGURE 11-1. PLATFORM WORK LIGHT INSTALL / INSTALLATION PHARE DE TRAVAIL

ITEM	PART NUMBER	QTY	DESCRIPTION	REV
	OP529	Ref	PLATFORM WORK LIGHT / PHARE DE TRAVAIL PLATE-FORME	A
1	000017	2	M06x40 8.8 SOCKET HEAD MACH SCREW / VIS CHC M06x40 8.8 BI FT	
2	000067	4	M05x12 8.8 SOCKET HEAD MACH SCREW / VIS CHC M05x12 8.8 BI FT	
3	400077	1	CLAMP, SINGLE D30 / COLLIER D30	
4	4460464	1	CONTACT DEUTSCH DT PIN / CONTACT DEUTSCH DT MALE	
5	4460891	1	CONNECTOR, DEUTSCH DT 2P PLUG / CONNECTEUR DEUTSCH DT 2P MALE	
6	4460897	1	CONNECTOR, DEUTSCH DT 2P RECEPTACLE / CONNECTEUR DEUTSCH DT 2P FEMELLE	
7	1001120474	1	LAMP, 12V SPOT (LCD) / LAMPE 12V A LEDS	
8	4460465	2	CONTACT DEUTSCH DT SOCKET / CONTACT DEUTSCH DT FEMELLE	
9	ST3689	1	SUPPORT, WORK LIGHT / SUPPORT PHARE DE TRAVAIL	

SECTION 11 - OPTIONS / OPTIONS

FIGURE 11-2. AIR LINE INSTALL / INSTALLATION AIR COMPRIME



ART. OPS27

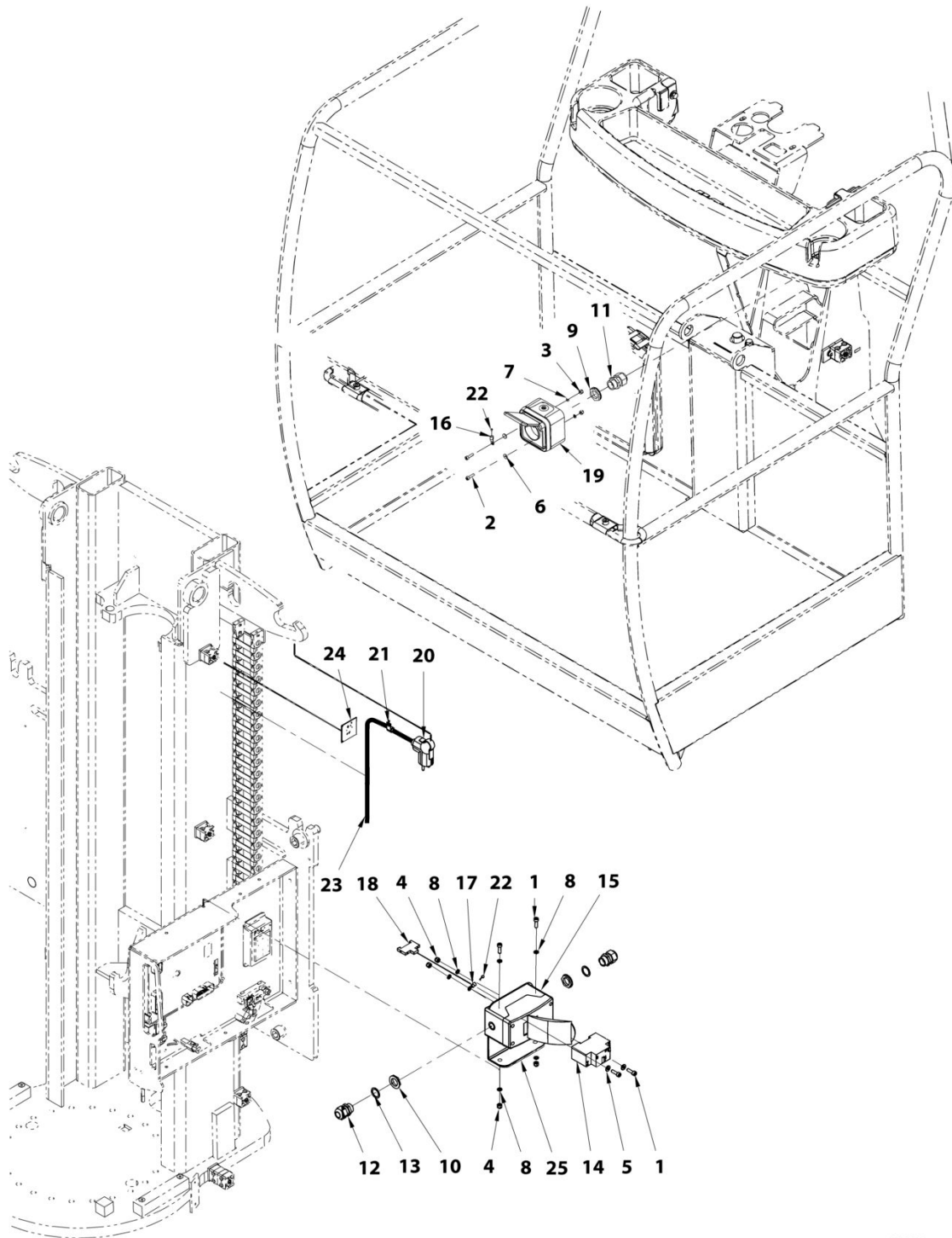
SECTION 11 - OPTIONS / OPTIONS

FIGURE 11-2. AIR LINE INSTALL / INSTALLATION AIR COMPRIME

ITEM	PART NUMBER	QTY	DESCRIPTION	REV
0	OP527	Ref	AIRLINE 5/16" 12E/32E / AIR COMPRIME 5/16" 12E/32E	A
0	OP528	Ref	AIRLINE 5/16" 12E PLUS / AIR COMPRIME 5/16" 12E PLUS	A
1	300161	2	45° BULKHEAD JIC 9/16 / TRAVERSEE DE CLOISON 45° JIC 9/16	
2	DF1001	1	12E,32E - HOSE 5/16-1315cm-JIC Fem 9/16-JIC Fem 9/16 / 12E,32E - FLEXIBLE 5/16-1315cm-JIC Fem 9/16-JIC Fem 9/16	
2	DF1002	1	12E PLUS - HOSE 5/16-1410cm-JIC Fem 9/16-JIC Fem 9/16 / 12E PLUS - FLEXIBLE 5/16-1410cm-JIC Fem 9/16-JIC Fem 9/16	
3	ST1969	1	BRACKET / EQUERRE	

SECTION 11 - OPTIONS / OPTIONS

FIGURE 11-3. 230V PLATFORM SOCKET INSTALL / INSTALLATION PRISE PLATEFORME 230V



ART. OP523

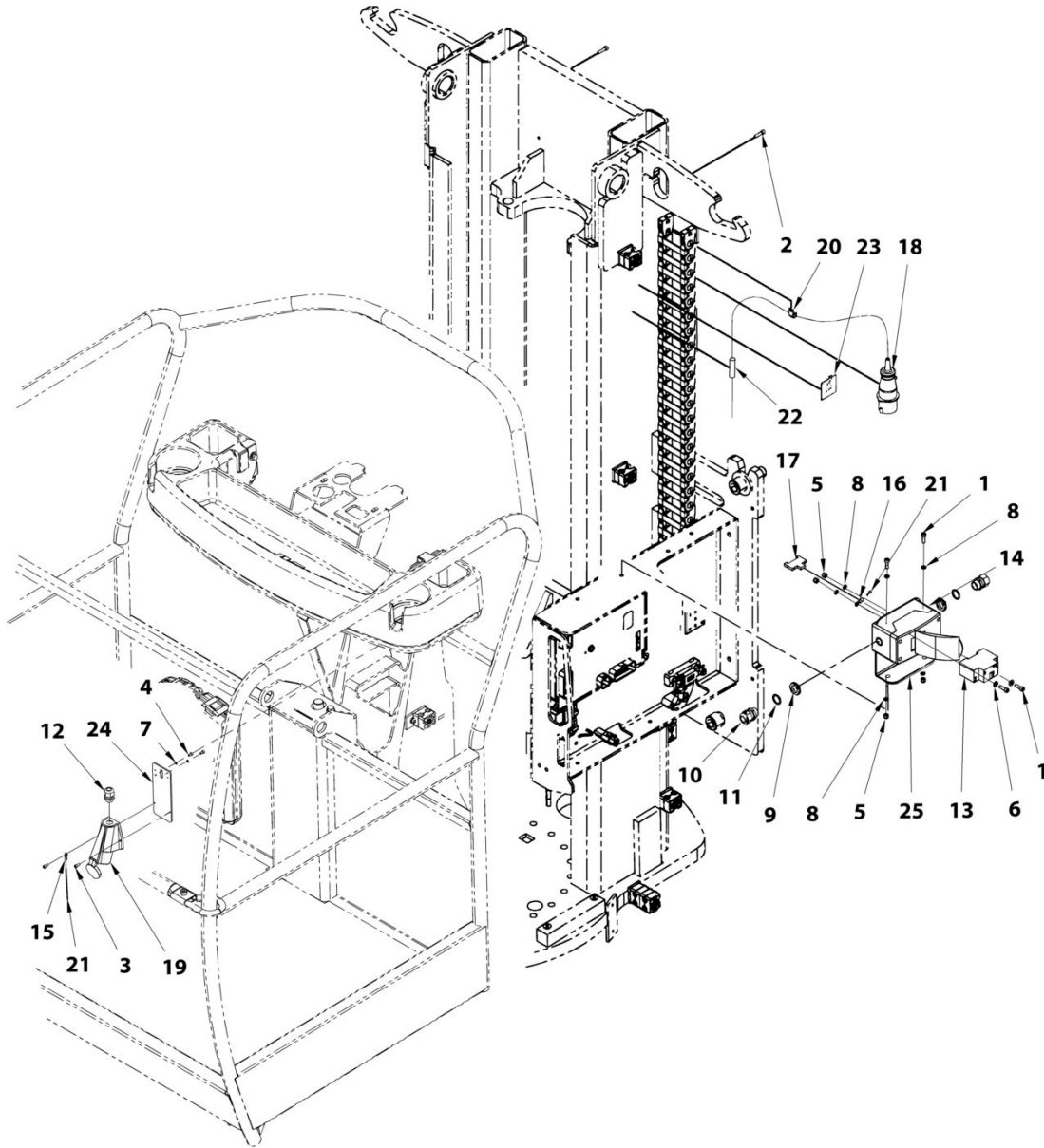
SECTION 11 - OPTIONS / OPTIONS

FIGURE 11-3. 230V PLATFORM SOCKET INSTALL / INSTALLATION PRISE PLATEFORME 230V

ITEM	PART NUMBER	QTY	DESCRIPTION	REV
0	OP523	Ref	PLUG AND RECEPT (220V) (CEE7 POST GROUND) / PRISE 220V (CEE7 TERRE FRONTALE)	C
0	OP524	Ref	PLUG AND RECEPT (220V) (CEE7 SIDE GROUND) / PRISE 220V (CEE7 TERRE LATÉRALE)	C
1	000005	4	M06x20 8.8 SOCKET HEAD MACH SCREW / VIS CHC M06x20 8.8 BI FT	
2	000085	2	M04x16 8.8 SOCKET HEAD MACH SCREW / VIS CHC M04x16 8.8 BI FT	
3	110001	2	M04 GR08 LOCK NUT / ECROU FREIN M4 CL08 BI	
4	110003	4	M06 GR08 LOCK NUT / ECROU FREIN M6 CL08 BI	
5	120009	2	dD 06x14 LOCK WASHER / RONDELLE CONTACT dD 06x14 BI	
6	120024	2	M4 LOCK WASHER / RONDELLE CONTACT M4 BI	
7	120058	2	WASHER, D4 SERRATED LOCK / RONDELLE EVENTAIL D4	
8	120060	6	WASHER, D6 SERRATED LOCK / RONDELLE EVENTAIL D6	
9	210011	1	GLAND N°13 NUT / ECROU DE PRESSE ETOUPE N°13	
10	210012	2	GLAND N°16 NUT / ECROU DE PRESSE ETOUPE N°16	
11	210019	1	GLAND N°13 / PRESSE ETOUPE N°13	
12	210021	2	GLAND N°16 / PRESSE ETOUPE N°16	
13	210065	2	SEAL, PG13 GLAND / JOINT DE PRESSE ETOUPE N°13	
14	1001181045	1	CUTOUT 30 mA / DISJONCTEUR DIFFERENTIEL 30 mA	
15	240093	1	CUTOUT BOX / BOITIER DISJONCTEUR	
16	250089	1	M4 EYELET TERMINAL 1-2.5MM ² / COSSE A OEIL ISOLEE M4 - 1-2.5mm ²	
17	250091	1	M6 EYELET TERMINAL 1-2.5MM ² / COSSE A OEIL ISOLEE M6 - 1-2.5mm ²	
18	250135	1	TERMINAL BLOCK VICKING / BLOC DE JONCTION VICKING	
19	260029	1	FRENCH 230 VAC SOCKET 2P+T / PRISE FEM. FRANCAISE 230VAC 2P+T	
19	260187	1	GERMAN 230 VAC SOCKET 2P+T / PRISE FEM.ALLEMANDE 230VAC 2P+T	
20	260214	1	FRENCH AND GERMAN 230V CONNECTOR / PRISE 230V FRANCAISE ET ALLEMANDE	
21	1321293	1	CLAMP, INSULATED BAND / COLLIER ISOLEE	
22	270002	0.22 m	WIRE 2 MM ² Y/G (qty indicated in meter) / FIL 2 MM ² V/J (QTÉ INDIQUÉE EN MÈTRE)	
23	270059	2.1 m	CABLE 3G2.5MM ² COLOR LEADS (qty indicated in meter) / CABLE 3G2.5mm ² coloré (qté en mètre)	
24	AU1716	1	PLATFORM SOCKET DECAL / AUTOCOLLANT PRISE PANIER	
25	ST3681	1	SUPPORT, PLUG OPTION BOX / SUPPORT BOITIER	

SECTION 11 - OPTIONS / OPTIONS

FIGURE 11-4. 115V CEI 60309 YELLOW PLATFORM SOCKET INSTALL / PRISE 115 V (IEC 60309 JAUNE)



ART. OP925

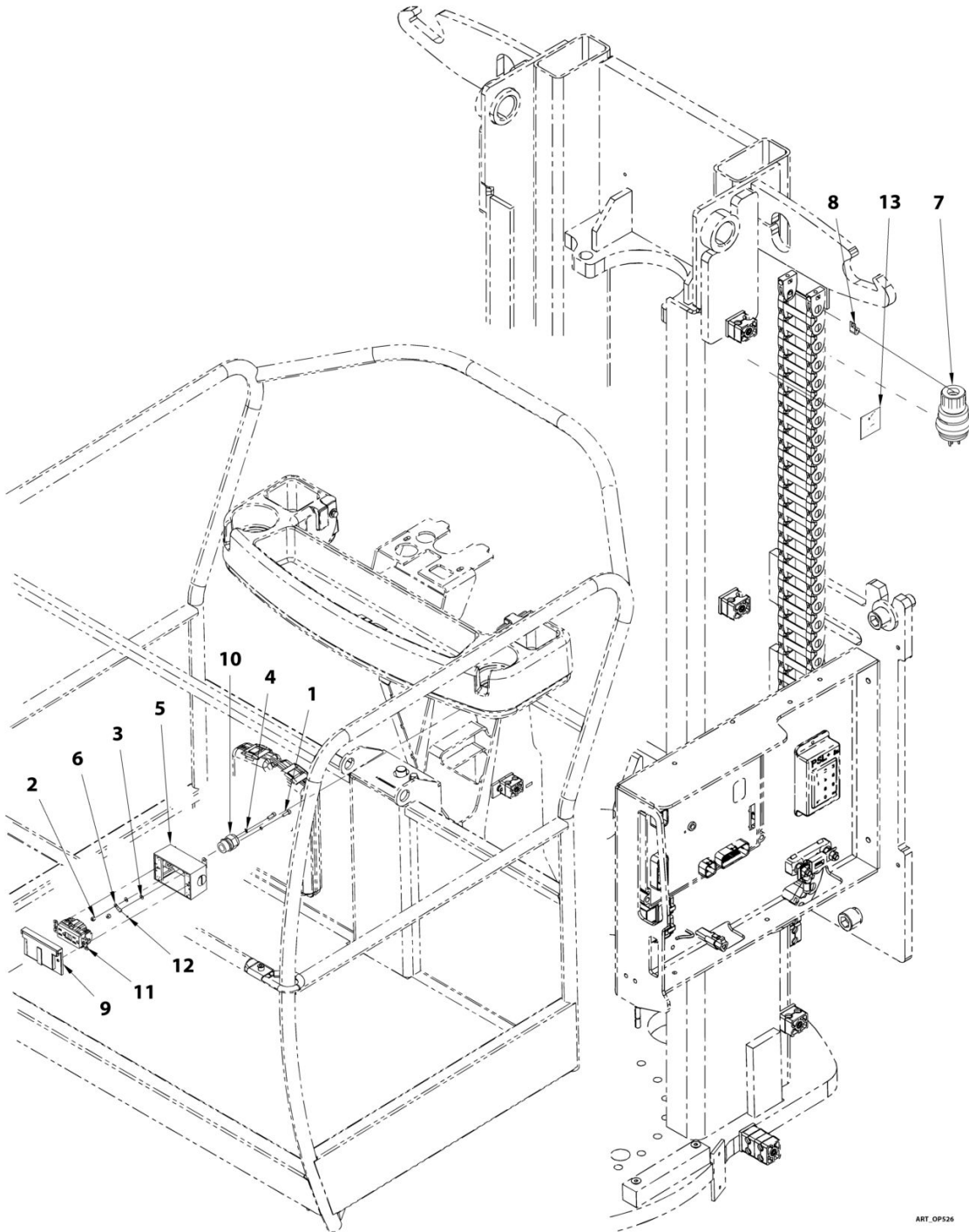
SECTION 11 - OPTIONS / OPTIONS

FIGURE 11-4. 115V CEI 60309 YELLOW PLATFORM SOCKET INSTALL / PRISE 115 V (IEC 60309 JAUNE)

ITEM	PART NUMBER	QTY	DESCRIPTION	REV
0	OP525	Ref	PLUG AND RECEPT (115V) (IEC 60309 YELLOW) / PRISE 115 V (IEC 60309 JAUNE)	C
1	000005	4	M06x20 8.8 SOCKET HEAD MACH SCREW / VIS CHC M06x20 8.8 BI FT	
2	000010	2	M05x20 8.8 SOCKET HEAD MACH SCREW / VIS CHC M05x20 8.8 BI FT	
3	000067	2	M05x12 8.8 SOCKET HEAD MACH SCREW / VIS CHC M05x12 8.8 BI FT	
4	000089	2	M05x08 8.8 SOCKET HEAD MACH SCREW / VIS CHC M05x08 8.8 BI FT	
5	110003	4	M06 GR08 LOCK NUT / ECROU FREIN M6 CL08 BI	
6	120009	2	DD 06x14 LOCK WASHER / RONDELLE CONTACT dD 06x14 BI	
7	120059	2	WASHER, D5 SERRATED LOCK / RONDELLE EVENTAIL D5	
8	120060	6	WASHER, D6 SERRATED LOCK / RONDELLE EVENTAIL D6	
9	210012	2	GLAND N°16 NUT / ECROU DE PRESSE ETOUPE N°16	
10	210021	2	GLAND N°13 / PRESSE ETOUPE N°13	
11	210065	2	SEAL, PG13 GLAND / JOINT DE PRESSE ETOUPE N°13	
12	210066	1	M20 CABLE GLAND / PRESSE ETOUPE M20	
13	1001181045	1	CUTOUT 30 MA / DISJONCTEUR DIFFERENTIEL 30 mA	
14	240093	1	CUTOUT BOX / BOITIER DISJONCTEUR	
15	250090	1	M5 EYELET TERMINAL 1-2.5MM ² / COSSE A OEIL ISOLEE M5 - 1-2.5MM ²	
16	250091	1	M6 EYELET TERMINAL 1-2.5MM ² / COSSE A OEIL ISOLEE M6 - 1-2.5mm ²	
17	250135	1	TERMINAL BLOCK VICKING / BLOC DE JONCTION VICKING	
18	260213	1	CONNECTOR 115VAC/16A IEC60309 / PRISE MALE 115VAC/16A CEI60309	
19	260258	1	115 VAC IEC60309 SURFACE SOCKET / PRISE FEMELLE FIXE 115VAC CEI60309	
20	1321293	1	CLAMP, INSULATED BAND / COLLIER ISOLE'	
21	270002	0.32 m	WIRE 2 mm ² Y/G (qty indicated in meter) / FIL 2 MM ² V/J (QTÉ INDIQUÉE EN MÈTRE)	
22	270059	2.1 m	CABLE 3G2.5mm ² Color leads (qty in meters) / CABLE 3G2.5mm ² coloré (qté en mètre)	
23	AU1716	1	PLATFORM SOCKET DECAL / AUTOCOLLANT PRISE PANIER	
24	ST3439	1	SUPPORT, SOCKET 115V / SUPPORT PRISE	
25	ST3681	1	SUPPORT, PLUG OPTION BOX / SUPPORT BOITIER	

SECTION 11 - OPTIONS / OPTIONS

FIGURE 11-5. 115V (GFI-US) PLATFORM SOCKET INSTALL / INSTALLATION PRISE PLATEFORME 115V (GFI-US)



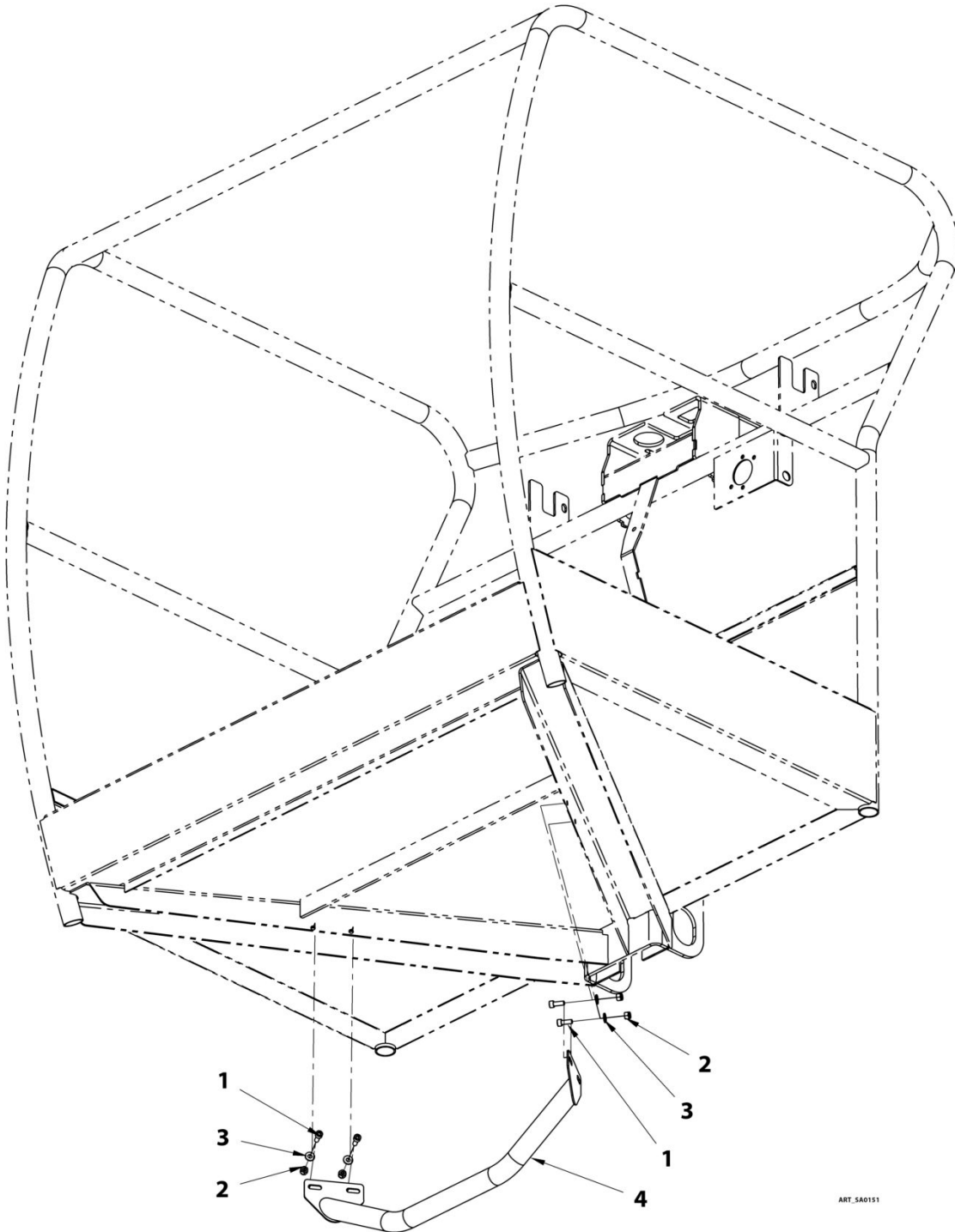
SECTION 11 - OPTIONS / OPTIONS

FIGURE 11-5. 115V (GFI-US) PLATFORM SOCKET INSTALL / INSTALLATION PRISE PLATEFORME 115V (GFI-US)

ITEM	PART NUMBER	QTY	DESCRIPTION	REV
0	OP526	Ref	PLUG AND RECEPT (115V-GFI) (US) / PRISE (115V -GFI) (US)	A
1	000003	2	M05x16 8.8 SOCKET HEAD MACH SCREW / VIS CHC M05x16 8.8 BI FT	
2	110002	2	M05 GR08 LOCK NUT / ECROU FREIN M5 CL08 BI	
3	120002	2	M05 WASHER / RONDELLE M05 BI	
4	120059	2	WASHER, D5 SERRATED LOCK / RONDELLE EVENTAIL D5	
5	230016	1	ELECTRICAL BOX / BOITIER ELECTRIQUE	
6	250090	1	M5 EYELET TERMINAL 1-2.5MM ² / COSSE A OEIL ISOLEE M5 - 1-2.5MM ²	
7	260276	1	US 125 VAC MALE CONNEC (=7634002827). / PRISE US 125VAC (=7364002824)	
8	1321293	1	CLAMP, INSULATED BAND / COLLIER ISOLE	
9	4060700	1	CIRCUIT BREAKER COVER / COUVERCLE COUPE CIRCUIT	
10	4460071	1	CONNECTOR, WATER TIGHT / PRESSE ETOUPE	
11	4460346	1	CIRCUIT BREAKER KIT / KIT COUPE CIRCUIT	
12	270002	0.1	WIRE 2 MM ² Y/G (qty indicated in meter) / FIL 2 MM ² V/J (QTÉ INDIQUÉE EN MÈTRE)	
13	AU1716	1	PLATFORM SOCKET DECAL / AUTOCOLLANT PRISE PANIER	

SECTION 11 - OPTIONS / OPTIONS

FIGURE 11-6. CYLINDER PROTECTION / PROTECTION VERIN ROTATION PLATE-FORME



ART_SA0151

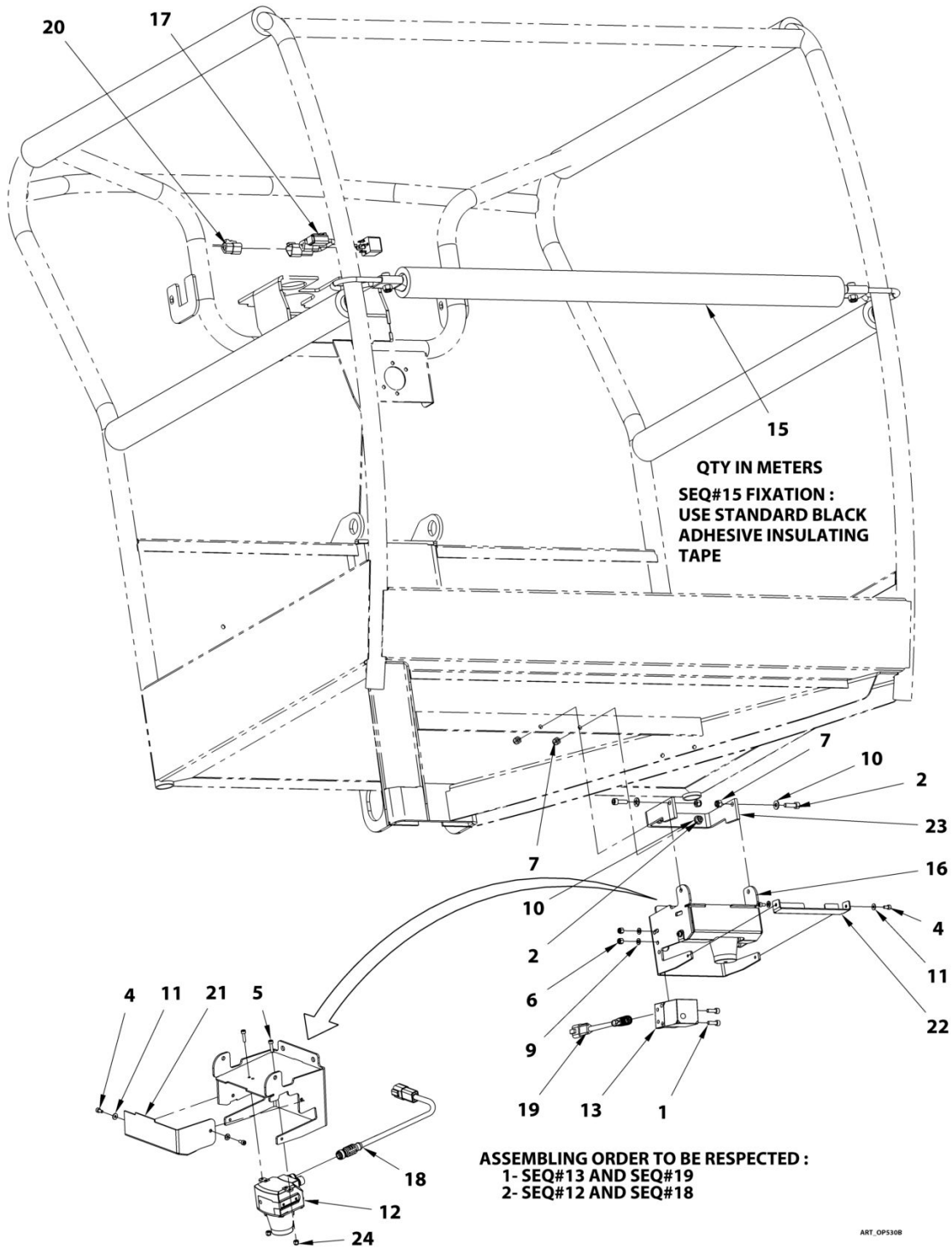
SECTION 11 - OPTIONS / OPTIONS

FIGURE 11-6. CYLINDER PROTECTION / PROTECTION VERIN ROTATION PLATE-FORME

ITEM	PART NUMBER	QTY	DESCRIPTION	REV
0	SA0151	Ref	INSTALL,ROTATION CYLINDER PROTECTION / INSTALLATION PROTECTION VERIN ROTATION	A
1	000015	4	M06x16 8.8 SOCKET HEAD MACH SCREW / VIS CHC M06x16 8.8 BI FT	
2	110003	4	M06 GR. 8.8 LOCK NUT / ECROU FREIN M6 CL08 BI	
3	120009	4	LOCK WASHER D06x14 / RONDELLE CONTACT dD 06x14 BI	
4	DL0928	1	TUBE,CYLINDER PROTECTION / TUBE DE PROTECTION VERIN	

SECTION 11 - OPTIONS / OPTIONS

**FIGURE 11-7. PLATFORM W/ ROTATION OBSTACLE DETECTION / DETECTION OBSTACLE AVEC
ROTATION PLATE-FORME**



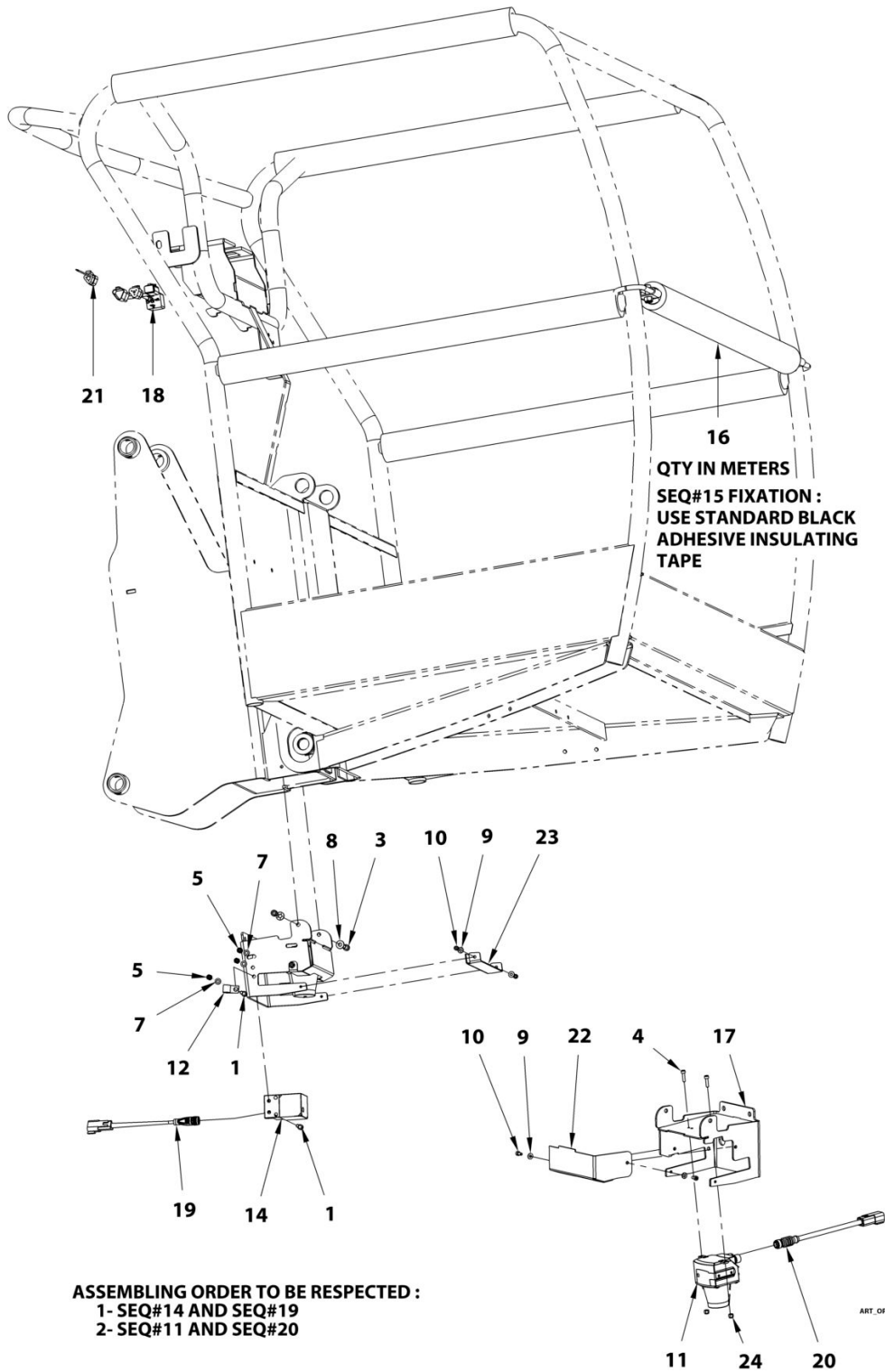
SECTION 11 - OPTIONS / OPTIONS

FIGURE 11-7. PLATFORM W/ ROTATION OBSTACLE DETECTION / DETECTION OBSTACLE AVEC ROTATION PLATE-FORME

ITEM	PART NUMBER	QTY	DESCRIPTION	REV
0	OP530	Ref	PLATFORM W/ ROTATION OBSTACLE DETECTION / DETECTION OBSTACLE AVEC ROTATION	B
1	000003	2	M05x16 8.8 SOCKET HEAD MACH SCREW / VIS CHC M05x16 8.8 BI FT	
2	000005	4	M06x20 8.8 SOCKET HEAD MACH SCREW / VIS CHC M06x20 8.8 BI FT	
4	000090	4	M04x08 8.8 SOCKET HEAD MACH SCREW / VIS CHC M04x08 8.8 BI FT	
5	000085	2	M04x16 8.8 SOCKET HEAD MACH SCREW / VIS CHC M04x16 8.8 BI FT	
6	110002	2	M05 GR. 8.8 LOCK NUT / ECROU FREIN M5 CL08 BI	
7	110003	4	M06 GR. 8.8 LOCK NUT / ECROU FREIN M6 CL08 BI	
9	120002	2	M05 WASHER / RONDELLE M05 BI	
10	120009	4	LOCK WASHER D06x14 / RONDELLE CONTACT dD 06x14 BI	
11	120024	4	LOCK WASHER D04x10 / RONDELLE CONTACT M4 BI	
12	260339	1	SENSOR,2D LASER SCANNER / SCANNER LASER 2D	
13	260341	1	SENSOR,ULTRASONIC / DETECTEUR ULTRASON	
15	400087	4	INSULATION PIPE D30 INT. LENGTHH 1m / TUBE ISOLANT D30 INT. LONGUEUR 1m	
16	1001229970	1	SUPPORT,OBSTACLE DETECTION / SUPPORT DETECTION OBSTACLE	
17	PC0617	1	HARNESS,OBSTACLE DETECTION / FAISCEAU DETECTION OBSTACLE	
18	PC0618	1	HARNESS,LASER SENSOR / FAISCEAU SCANNER LASER	
19	PC0619	1	HARNESS,ULTRASONIC SENSOR / FAISCEAU DETECTEUR ULTRASON	
20	PC0622	1	HARNESS,OBSTACLE DETECTION CONNECTORS / FAISCEAU CONNECTEURS DETECTION OBSTACLE	
21	1001229975	1	PLATE,SENSORS PROTECTION / TOLE PROTECTION CAPTEURS	
22	1001229971	1	PLATE,LASER SENSOR PROTECTION / TOLE PROTECTION CAPTEUR LASER	
23	1001229974	1	SUPPORT,OBSTACLE DETECTION / MONTAGE SUPPORT DETECTION OBSTACLE	
24	110001	2	M04 GR. 8.8 LOCK NUT / ECROU FREIN M4 CL08 BI	

SECTION 11 - OPTIONS / OPTIONS

FIGURE 11-8. PLATFORM W/O ROTATION OBSTACLE DETECTION / DETECTION OBSTACLE SANS ROTATION PLATE-FORME



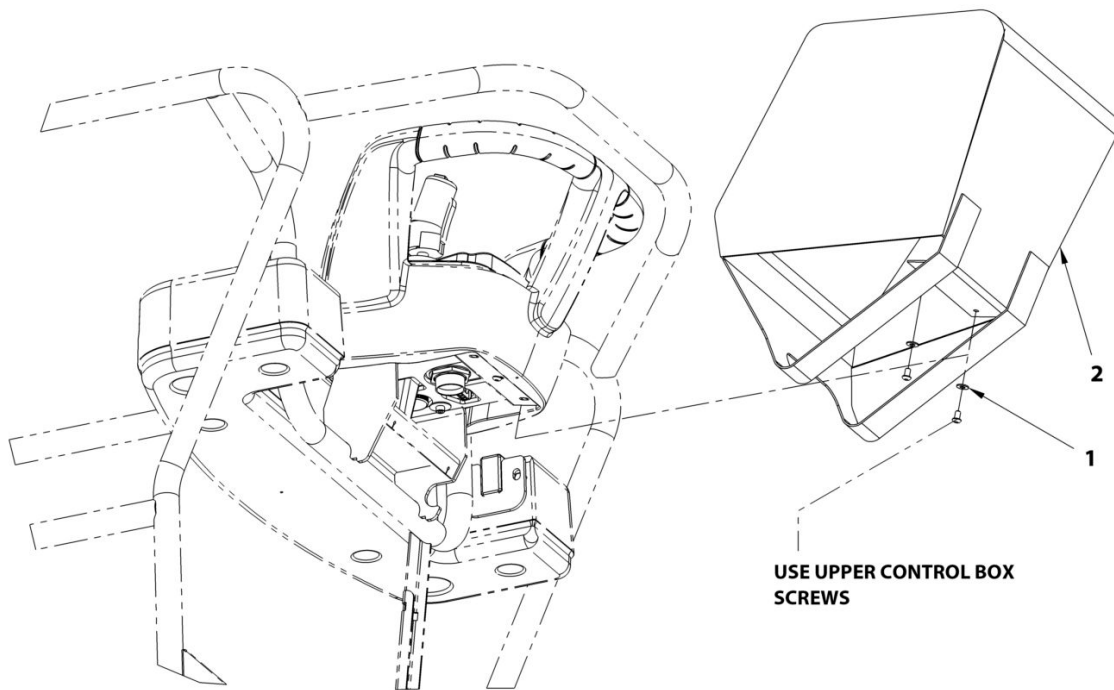
SECTION 11 - OPTIONS / OPTIONS

FIGURE 11-8. PLATFORM W/O ROTATION OBSTACLE DETECTION / DETECTION OBSTACLE SANS ROTATION PLATE-FORME

ITEM	PART NUMBER	QTY	DESCRIPTION	REV
0	OP531	Ref	PLATFORM W/O ROTATION OBSTACLE DETECTION / DETECTION OBSTACLE SANS ROTATION	C
1	000003	3	M05x16 8.8 SOCKET HEAD MACH SCREW / VIS CHC M05x16 8.8 BI FT	
3	000014	2	M06x12 8.8 SOCKET HEAD MACH SCREW / VIS CHC M06x12 8.8 BI FT	
4	000085	2	M04x16 8.8 SOCKET HEAD MACH SCREW / VIS CHC M04x16 8.8 BI FT	
5	110002	3	M05 GR. 8.8 LOCK NUT / ECROU FREIN M5 CL08 BI	
7	120002	3	M05 WASHER / RONDELLE M05 BI	
8	120009	2	LOCK WASHER D06x14 / RONDELLE CONTACT dD 06x14 BI	
9	120024	4	LOCK WASHER D04x10 / RONDELLE CONTACT M4 BI	
10	000090	1	M04x08 8.8 SOCKET HEAD MACH SCREW / VIS CHC M04x08 8.8 BI FT	
11	260339	1	SENSOR,2D LASER SCANNER / SCANNER LASER 2D	
12	1321293	1	CLAMP,CABLE / COLLIER ISOLE	
14	260341	1	SENSOR,ULTRASONIC / DETECTEUR ULTRASON	
16	400087	4	INSULATION PIPE D30 INT. LENGTHH 1m / TUBE ISOLANT D30 INT. LONGUEUR 1m	
17	1001229970	1	SUPPORT,OBSTACLE DETECTION / SUPPORT DETECTION OBSTACLE	
18	PC0617	1	HARNESS,OBSTACLE DETECTION / FAISCEAU DETECTION OBSTACLE	
19	PC0619	1	HARNESS,ULTRASONIC SENSOR / FAISCEAU DETECTEUR ULTRASON	
20	PC0618	1	HARNESS,LASER SENSOR / FAISCEAU SCANNER LASER	
21	PC0622	1	HARNESS,OBSTACLE DETECTION CONNECTORS / FAISCEAU CONNECTEURS DETECTION OBSTACLE	
22	1001229975	1	PLATE,SENSORS PROTECTION / TOLE PROTECTION CAPTEURS	
23	1001229971	1	PLATE,LASER SENSOR PROTECTION / TOLE PROTECTION CAPTEUR LASER	
24	110001	2	M04 GR. 8.8 LOCK NUT / ECROU FREIN M4 CL08 BI	

SECTION 11 - OPTIONS / OPTIONS

FIGURE 11-9. UCB PROTECTION / PROTECTION BOITIER HAUT



ART_1001214774

SECTION 11 - OPTIONS / OPTIONS

FIGURE 11-9. UCB PROTECTION / PROTECTION BOITIER HAUT

ITEM	PART NUMBER	QTY	DESCRIPTION	REV
	1001214774	Ref	UCB PROTECTION INSTALL / INSTALLATION PROTECTION BOITIER HAUT	A
1	120009	1	LOCK WASHER D06x14 / RONDELLE FREIN D06x14	
2	1001214777	2	UCB PROTECTION / PROTECTION BOITIER HAUT	

**SECTION 12 - RECOMMENDED PARTS LIST / LISTE DE PIÈCES
RECOMMANDÉES**

**SECTION 12 - RECOMMENDED PARTS LIST / LISTE DE PIÈCES
RECOMMANDÉES**

SECTION 12 - RECOMMENDED PARTS LIST / LISTE DE PIECES RECOMMANDEES

FIGURE 12-1. RECOMMENDED PARTS LIST / LISTE DES PIECES RECOMMANDEES

ITEM	PART NUMBER	QTY	DESCRIPTION	REV
	Note		The following list will service one Machine with emergency repair parts wih can be installed in the field. Parts from the list should be replaced when inventory is depleted to keep service parts stock supplied. For further information, contact your JLG Industries Parts Department. / La liste suivante indique (pour une Machine) les pièces de réparation d'urgence qui peuvent être installées sur le terrain. La quantité de pièces de cette liste doit être tenue en stock minimum. Pour de plus amples informations, contactez votre SAV JLG Industries.	
		Ref	STANDARD PARTS / PIECES STANDARDS	
	260115	1	250 A FUSE / FUSIBLE 250 A	
	2860030	1	KEY (INCLUDED IN ITEM 4360469) / CLE (COMPRISE DANS REF 4360469)	
	1001115919	1	SWITCH, PUSH BUTTON-ENABLE / BP DE VALIDATION	
	1001154753	1	MEMBRANE SWITCHES / INTERUPTEURS A MEMBRANE	
	240056	1	NO CONTACT BLOCK WITH HOLDER / EMBASE CONTACT NO	
	4360562	1	COMPLETE KNOB / ARRET D'URGENCE COMPLET	
	7027367	1	SWITCH ENABLER / CONCTACT VALIDATION	
	952115	1	CAP, OIL FILLING / BOUCHON DE REMPLISSAGE	
	1001151762	1	RELAY, 48V / RELAIS 48V	
	8229242	1	MINI FUSE 5A / FUSIBLE 5A	
	80983191	1	MINI FUSE 10A / FUSIBLE 10A	
	8229245	1	MINI FUSE 30A / FUSIBLE 30A	
		Ref	VARIABLE PARTS / AUTRES PIECES	
	0140011	1	AUDIBLE SIGNAL DEVICE / AVERTISSEUR SONORE	
	0140043	1	ALARM,MOTION/DESCENT/HORN / AUDIBLE SIGNAL DEVICE	
	1001117177	1	SWITCH,NEOPRENE BOOT / CAPUCHON D'ETANCHEITE NEOPRENE	
	110040	4	D8 CAGE HEX NUT / ECROU CAGE D8	
	130064	4	D8 FAST-LEAD THREAD SCREW / VIS D8 PAS RAPIDE TETE LARGE	
	190072	3	COMPRESSION LATCH / LOQUET A COMPRESSION	
	190074	2	FRICTION HINGE / CHARNIERE A FRICTION	
	260331	2	CONTROL,ZAPI COMBI AC0 / VARIATEUR COMBI-ACO	
	1001109503	1	MULTI DISPLAY INDICATOR / AFFICHEUR MULTIFONCTION	
	1001152628	1	PC-BRD, DE-POP UGM / CARTE ELECTRONIQUE UGM	
	4360469	1	KEY (INCLUDED IN ITEM 4360469) / CLE (COMPRISE DANS REF 4360469)	
	1001227074	1	KIT-SERVICE,GROUND PANEL / KIT SAV PLATINE BOITIER BAS	
	952136	2	COIL,POPPET NC / BOBINE POPPET NC	
	PC0468	1	HARNESS,LOAD SENSING SWITCH / FAISCEAU CAPTEUR DE SURCHARGE	
	1001152692	1	P/C BOARD WITH SOFTWARE / CARTE BOITIER HAUT PROGRAMMEE	
	1001155354	3	THUMB JOYSTICK / MINI JOYSTICK	
	1600458	1	JOYSTICK / JOYSTICK	
	952110	2	COIL,PROPORTIONAL VALVE / BOBINE LIMITEUR PROPORTIONNEL	
	952123	8	COIL,SPOOL 4-3 / BOBINE DISTRIBUTEUR	

SECTION 12 - RECOMMENDED PARTS LIST / LISTE DE PIECES RECOMMANDEES

ITEM	PART NUMBER	QTY	DESCRIPTION	REV
	1001151895	1	HARNESS,TILT SENSOR SWITCH / FAISCEAU CAPTEUR DE DEVERS	
	260323	3	NO/NC SWITCH PG11 / CAPTEUR NO/NF PE11	
	260327	4	NO/NC SWITCH PG11 / CAPTEUR NO/NF PE11	
	4000008	1	PROXIMITY SENSOR ASSEMBLY / FAISCEAU DETECTEUR DE PROXIMITE	
	4360505	1	ROTARY ANGLE SENSOR / CAPTEUR D'ANGLE	

**SECTION 12 - RECOMMENDED PARTS LIST / LISTE DE PIÈCES
RECOMMANDÉES**

PART NUMBER INDEX

SECTION 12 - RECOMMENDED PARTS LIST / LISTE DE PIECES RECOMMANDEES

000003.81, 151, 155, 157	1001116815 100	1001214777 159	1001225147..... 89
000005.....10, 29, 81, 147, 149, 155	1001116816 100	1001216938 65	1001225148..... 89
000006.....51, 55, 63	1001116946 100	1001216940 65	1001225149.... 47, 59, 89, 93
000007.....75, 113	1001117177 71, 162	1001220463 133	1001225150..... 89
000008.15, 29, 69, 79, 81	1001120474 143	1001220464 133	1001225151..... 89
000010.....117, 119, 149	1001126007 99	1001220619 36, 39	1001225152..... 89
000014 11, 29, 51, 55, 63, 65, 67, 87, 113, 157	1001126008 99, 100	1001220620 36, 39	1001225153..... 93
000015.....153	1001126011 103	1001222242 87, 89	1001225154..... 47
000017.....15, 143	1001144147 99, 100, 102, 105	1001222243 91, 93	1001225155..... 47
000018.....10, 29, 51, 55	1001150611 102	1001222931 36, 47	1001225156..... 93
000026.....55, 79	1001151762 29, 162	1001222932 51, 55, 59	1001225158..... 93
000042.....117, 119	1001151788 102	1001222933 51, 55	1001225159..... 59
000049.....11	1001151824 102	1001222934 51, 55	1001225354..... 25
000050.....113	1001151895 104, 113, 163	1001223304 109	1001225355..... 25
000051.....79, 81	1001152080 99	1001223383 91	1001225356..... 25
000053.....75	1001152082 71	1001223388 89	1001225357..... 25
000059.....51, 55	1001152083 31	1001223689 16	1001225529..... 59
000067.10, 113, 143, 149	1001152091 105, 113	1001223845 135	1001225530..... 51, 55
000073.....29	1001152095 102	1001223847 135	1001225538..... 25
000076.....117, 119	1001152162 102	1001223849 135	1001225800..... 51, 55
000077.15, 51, 55, 79, 81	1001152163 102	1001223851 135	1001226407..... 127, 133, 135
000085.....147, 155, 157	1001152164 103	1001223853 135	1001226409..... 127, 133, 135
000089.....51, 55, 75, 149	1001152165 103	1001223855 135	1001226410..... 127, 133, 135
000090....63, 65, 67, 155, 157	1001152166 103	1001223933 135	1001226411..... 127, 133, 135
000095.....75	1001152567 103	1001223935 135	1001226840..... 134
000096.....15	1001152628 29, 162	1001223937 135	1001226841..... 134
0140011.....71, 162	1001152650 115	1001224917 85	1001226842..... 134
0140043.....29, 104, 162	1001152692 71, 162	1001224918 85	1001226843..... 134
0641406.....69	1001154560 71	1001224919 85	1001226844..... 133
0700812.....36	1001154615 71	1001224920 85	1001226846..... 134
0700821.....36	1001154664 69, 71	1001224921 85	1001226877..... 115
0760310.....71	1001154726 105	1001224922 85	1001227067..... 102
0840060.....117	1001154753 71, 162	1001224923 85	1001227069..... 29
100004.....15	1001155321 71	1001224980 99	1001227070..... 29
100005.....117	1001155328 71	1001224981 100	1001227071..... 29, 31
100007.....51, 55	1001155354 71, 162	1001224982 106, 109	1001227072..... 31
100008.....27	1001155457 71	1001224983 100	1001227074..... 31, 162
100013.41, 43, 45, 65, 67	1001155460 71	1001224984 109	1001227848..... 126, 133, 134
100027.....115	1001155461 71	1001224985 109	1001227894..... 25
100038.....25	1001155462 71	1001224986 109	1001228269..... 75, 106
100039.....15	1001155745 72	1001225001 99	1001229970..... 155, 157
100053.....15	1001156541 102	1001225073 117, 121	1001229971..... 155, 157
100054.....63, 65, 91	1001157456 103	1001225074 117	1001229974..... 155
100098.....113	1001157457 104	1001225075 87	1001229975..... 155, 157
100103.....25	1001157803 104, 113	1001225076 91	1001231801..... 128, 136
1001097051 103	1001157804 104, 113	1001225077 36	1001237788..... 85
1001103012 99, 104	1001159126 75	1001225078 51	1001239244..... 52
1001104498 99	1001159127 75, 104	1001225079 55	1001239245..... 56
1001107854 99, 104	1001159129 105	1001225127 36	1001239246..... 51, 56
1001109503 31, 162	1001159297 105	1001225133 59	1001239247..... 52, 56
1001110544 71	1001159298 105	1001225134 89	1001239391..... 100
1001112113 119	1001159299 105	1001225135 89	1001239552..... 31
1001113961 101	1001159300 105	1001225136 89	1001241874..... 126
1001115919 71, 162	1001161254 101	1001225137 89	1001241875..... 126
1001116692 102, 103, 105	1001164530 75	1001225138 89	1001241876..... 126
1001116693 101, 103, 105	1001173703 139	1001225139 89	1001241877..... 126
1001116810..... 102	1001181045 147, 149	1001225140 89	1001245237..... 16, 21
1001116812 100, 101, 103	1001187632 29	1001225141 89	
	1001192401 102	1001225142 89	
	1001210948 29	1001225143 89	
	1001212355 126, 135	1001225144 89	
	1001212356 133	1001225145 89	
	1001214029 139	1001225146 89	
	1001214774 159		

SECTION 12 - RECOMMENDED PARTS LIST / LISTE DE PIÈCES RECOMMANDEES

1001245245 127, 133, 135	130021 10, 79	240060.....31, 71	400057 10
1001246579 21	130029 63, 65, 67	240076.....31, 71	400059 121
1001246580 21	130034 25	240093.....147, 149	400077 143
1001247750 52	130059 31	250010.....100	400081 113
1001247751 56	130062 29	250031.....29, 117, 119	400086 121
1001247752 51, 52, 56	130064 10, 162	250089.....147	400087 155, 157
1001248662 10	130067 51, 55	250090.....149, 151	400092 79
1001248663 10	130068 117, 119	250091.....147, 149	400093 117
1001254734 52, 56	1321293 ... 113, 147, 149, 151, 157	250135.....147, 149	400099 65, 67
1001254735 52, 56	140009 36	250141.....106	4060700 151
1001257401 19, 21	140016 27	250144.....106	4071095 67
1001258232 65	140026 27	250211.....115	4220309 65, 67
1001263939 65	150001 51, 55	250213.....115	4240147 16
100156 87, 91	150002 52, 56	2600281.....65, 67	4340871 71
1060688 115	150004 15	260029.....147	4360469 31, 162
1060689 115	150006 45	260077.....29	4360505 104, 113, 163
110001 75, 147, 155, 157	150007 43	260115.....29, 162	4360562 71, 162
110002 10, 75, 79, 81, 117, 119, 151, 155, 157	150009 27	260187.....147	4420051 133
110003 10, 15, 27, 29, 41, 43, 45, 55, 63, 65, 67, 79, 81, 147, 149, 153, 155	150011 41	260213.....149	4460016 99
110004 36, 51, 55, 63	150019 16	260214.....147	4460042 101
110005 16	150019 16	260258.....149	4460071 151
110006 36	150038 75	260259.....117	4460226 105
110008 15, 51, 55	150058 16	260260.....117	4460227 105
110009 36	150059 15	260276.....151	4460267 101
110010 36	150061 63, 65	260321.....105	4460268 105
110015 117, 119	1580012 69	260323 106, 163	4460321 105
110016 25	160010 113	260327 104, 163	4460326 105
110017 25	160033 63, 65	260329.....104	4460346 151
110019 36	1600458 71, 162	260331 15, 162	4460464 ... 100, 102, 103, 104, 143
110020 36	170002 39	260339.....155, 157	4460465 99, 100, 101, 102, 103, 104, 105, 106, 143
110022 63, 65, 87	170007 39	260341 155, 157	4460466 99, 101, 102, 103, 105
110025 36	170008 36, 39	270002 147, 149, 151	4460496 71
110036 36	170009 39	270059 147, 149	4460497 71
110040 10, 162	170010 39	280013.....113	4460509 102, 119
120001 15	1701499 126, 133, 134	280023.....63	4460518 100
120002 ... 75, 79, 81, 113, 117, 119, 151, 155, 157	1702631 ... 126, 133, 134	2860030.....31, 162	4460536 101, 102, 104
120003 63, 65	1703785 126, 134	300001 15, 93	4460539 99, 101, 102
120004 10, 69	1703811 ... 126, 133, 134	300025 51, 55, 89, 93	4460670 100
120006 36	1703814 ... 126, 133, 134	300037 89	4460702 99
120009 10, 11, 29, 51, 55, 63, 65, 67, 79, 81, 113, 115, 147, 149, 153, 155, 157, 159	1704277 ... 126, 133, 134	300040 27, 47, 51, 55, 89, 93	4460754 101, 103
120010 10, 25, 36, 51, 55, 75, 91, 117, 119	1704885 127, 135	300047 47	4460761 101
120011 87, 91	1705781 ... 126, 133, 134	300061 51, 55, 59	4460761 101
120015 75	1705803 133	300067 89	4460851 103
120017 36	1706493 ... 126, 133, 135	300101 89	4460852 103
120018 36	1706740 ... 126, 133, 135	300161 145	4460871 99, 100, 101
120021 29	1706898 71	310099 51, 55	4460872 101
120024 ... 63, 65, 67, 113, 147, 155, 157	180003 16	310109 87	4460873 99, 101
120033 29	180009 10	320071 27	4460874 101
120057 10	190027 87	3290305.....71	4460875 101
120058 147	190072 10, 162	3340962.....65, 67	4460876 100, 101
120059 149, 151	190074 10, 162	3575796.....71	4460878 100
120060 147, 149	2080040 65, 67	3820019.....71	4460884 99, 100, 102, 105
120061 11, 15	210011 147	3820037.....67	4460887 101
130003 27, 79	210012 147, 149	3900357.....71	4460891 99, 100, 103, 104, 105, 143
	210018 104, 106	3900358.....71	4460894 103
	210019 147	3900359.....71	4460897 ... 102, 103, 104, 143
	210021 147, 149	4000007.....104	4460899 102
	210033 106	4000008.... 104, 113, 163	4460905 99, 100, 101
	210065 147, 149	400012 117	4460917 104
	210066 149	400015 87	
	230016 151	400018 79, 81	
	2400060 99, 101	400037 79, 81	
	240056 71, 162	400047 81	
	240057 31, 71	400048 63	
	240058 71		

SECTION 12 - RECOMMENDED PARTS LIST / LISTE DE PIÈCES RECOMMANDEES

4460928.....99	952155..... 19, 21	DL0880.....55	SA0138.....11
4460930.....99, 102	952156..... 19, 21	DL0881.....51	SA0140.....75
4460931.....100, 102	952163..... 51, 55	DL0882.....75	SA0141.....75
4460932.....103	960101..... 15	DL0883.....75	SA0142.....81
4460942.....101	960102..... 51, 52, 56	DL0885.....63	SA0143.....81
4460943.....99, 100, 102, 105	960103..... 51, 56	DL0886.....65, 67	SA0144.....16
4460944.....99, 100, 101, 103	960104..... 52, 56	DL0892.....36	SA0145.....16
4460967.....103, 105	960105..... 52, 56	DL0893.....36	SA0151.....153
4460984.....100	960106..... 52, 56	DL0894.....36	SD0345.....113
4461076.....104	960107..... 52	DL0895.....36	SD0452.....43
4461077.....99, 100	960108..... 56	DL0897.....15	SD0453.....41
4751400.....69	960109..... 51, 55	DL0898.....16	SD0464.....113
4761400.....69	960110..... 36	DL0899.....11	SD0605.....45
500044.....25	AU0149..... 127, 133, 135	DL0900.....67	SD0748.....10
500045.....27	AU1716..... 147, 149, 151	DL0901.....75	SD0749.....10
510091.....15, 19	AU1825..... 126, 134	DL0902.....117, 119	SD0750.....10
510093.....117	AU2097..... 127, 133, 135	DL0903.....117, 119	SE0730.....36, 41
510094.....119	AU2101..... 127, 133, 135	DL0904.....117, 119	SE0731.....36, 43
70000084.....71	AU2102.....133	DL0905.....10	SE0733.....36, 45
70000682.....71	AU2103.....133	DL0906.....10	SE0929.....36
7027365.....71	AU2104..... 127, 133, 135	DL0928.....153	SE0934.....25, 27
7027367.....71, 162	AU2105..... 127, 133, 135	KT0157.....27	SE1159.....15
7027765.....71	AU2107.....133	OP523.....147	SE1203.....29, 31
7027766.....71	AU2108.....134	OP524.....147	SE1208.....31
80983191.....101, 162	AU2109.....133	OP525.....149	ST0099.....36
8220045.....101	AU2117..... 127, 135, 136	OP526.....151	ST0120.....39
8220058.....99	AU2118..... 127, 135, 136	OP527.....145	ST0178.....39
8229242.....99, 162	AU2119..... 126, 134	OP528.....145	ST0179.....39
8229245.....102, 162	AU2120.....127	OP529.....143	ST0736.....63
8990147.....63, 65, 67	AU2121.....126	OP530.....155	ST0751.....39
920042.....79, 81	AU2140..... 126, 134	OP531.....157	ST0752.....39
920045.....79, 81	AU2141.....127	PC0468.....63, 65, 105, 162	ST0828.....39
920046.....79, 81	AU2143..... 128, 136	PC0483.....109	ST1326.....79, 81
920061.....15	AU2144..... 127, 135	PC0484.....109	ST1327.....79, 81
920065.....15	AU2147..... 126, 134	PC0494.....115	ST1969.....145
920073.....79, 81	AU2148.....127	PC0495.....115	ST2475.....25
920078.....79	AU2149..... 127, 135	PC0496.....115	ST2741.....63, 65, 67
920079.....79	AU2150..... 127, 135	PC0534.....11, 104	ST3219.....79, 81
920080.....79	AU2152..... 126, 134	PC0548.....117	ST3226.....113
920081.....79	AU2153.....127	PC0549.....109	ST3227.....113
920082.....79	AU2154..... 127, 136	PC0550.....109	ST3234.....63, 65, 67
920083.....15	AU2155..... 127, 136	PC0551.....109	ST3312.....71
950039.....121	AU2193.....133	PC0553.....109	ST3439.....149
950052.....121	AU2194.....133	PC0554.....109	ST3495.....16
950215.....121	AU2198..... 126, 134	PC0556.....109	ST3496.....16
950219.....121	AU2199.....126	PC0557.....109	ST3497.....55
950220.....121	AU2200.....75	PC0617.....155, 157	ST3498.....51, 56
950221.....121	AU2201..... 127, 135	PC0618.....155, 157	ST3499.....52, 56
951044.....19, 21	AU2202..... 127, 135	PC0619.....155, 157	ST3501.....52
952102.....47	AU2203.....127	PC0622.....155, 157	ST3521.....63
952110.....162	AU2204.....127	SA0020.....69	ST3523.....51, 55
952115.....162	AU2205.....127	SA0114.....10	ST3524.....55
952123.....162	AU2208.....31	SA0116.....15	ST3525.....51, 55
952136.....162	AU2228.....29	SA0117.....15	ST3526.....51, 55
952144.....19, 21	AU2229..... 127, 134, 135	SA0118.....16	ST3527.....15
952145.....19	DF0989.....85	SA0119.....25	ST3557.....36
952146.....19, 21	DF0993.....85	SA0120.....25	ST3563.....15
952147.....19, 21	DF0994.....85	SA0121.....69	ST3575.....81
952148.....19, 21	DF0996.....85	SA0123.....113	ST3623.....81
952151.....19, 21	DF0997.....85	SA0124.....63	ST3624.....79
952152.....19, 21	DF0998.....85	SA0125.....67	ST3632.....117, 119
952153.....19	DF1001.....145	SA0126.....79	ST3636.....10
952154.....19, 21	DF1002.....145	SA0128.....10	ST3637.....10
	DL0878..... 51, 55	SA0129.....25	ST3638.....10
	DL0879..... 55	SA0137.....119	ST3641.....11

SECTION 12 - RECOMMENDED PARTS LIST / LISTE DE PIÈCES RECOMMANDEES

ST3647..... 117, 119	ST3689..... 143	US0377.....41	US0570..... 63, 65
ST3648..... 29	ST3690..... 51, 55	US0429.....27	US0572..... 15
ST3651..... 11	ST3691..... 51, 55	US0458.....52, 56	US0573..... 15
ST3652..... 11	ST3692..... 10	US0459.....52, 56	US0574..... 15
ST3654..... 31	ST3693..... 55	US0460.....45	US0575..... 15
ST3655..... 25	ST3782..... 31	US0465.....36	US0578..... 67
ST3657..... 113	US0044..... 27	US0469.....75	US0579..... 56
ST3664..... 10	US0134..... 75	US0475.....41	US0580..... 52, 56
ST3665..... 10	US0190..... 25	US0478.....45	US0581..... 52, 56
ST3666..... 11	US0203..... 113	US0479.....43	US0582..... 75
ST3667..... 10	US0204..... 113	US0490.....52, 56	US0586..... 27
ST3668..... 10	US0208..... 113	US0492.....52, 56	US0588..... 52, 56
ST3669..... 10	US0236..... 63, 65	US0529.....15	
ST3681..... 147, 149	US0277..... 52, 56	US0530.....15	
ST3684..... 75	US0375..... 43	US0531.....15, 63, 65	



31210249



An Oshkosh Corporation Company

Corporate Office
JLG Industries, Inc.
1 JLG Drive
McConnellsburg, PA 17233-9533 USA
☎ **(717) 485-5161 (Corporate)**
☎ **(877) 554-5438 (Customer Support)**
☎ **(717) 485-6417**

Visit our website for JLG Worldwide Locations.
www.jlg.com