



Illustrated Parts Manual

Model LIFTLUX 260-25

*Prior to SN 22107
excluding SN's: 19027
20824, 21674 & 21990*

3121317

October 28, 2011



An Oshkosh Corporation Company

REVISION LOG

June 30, 2005 - Original Issue of Manual

April 30, 2006 - Revised Manual (Edited to B/M 0010660 Revision 6)

March 31, 2007 - Revised Manual (Edited to B/M 0010660 Revision 7)

July 31, 2007 - Revised Manual (Edited to B/M 0010660 Revision 9)

November 15, 2007 - Revised Manual (Edited to B/M 0010660 Revision 9)

March 1, 2008 - Revised Manual (Edited to B/M 0010660 Revision 9)

August 1, 2008 - Revised Manual (Edited to B/M 0010660 Revision 9)

June 3, 2009 - Revised Manual (Edited to B/M 0010660 Revision 9) **Note: SN's 19027, 20824, 21674 & 21990 refer to manual 3121344 for service parts.**

October 28, 2011 - Revised Manual

TABLE OF CONTENTS

SECTION 1 - FRAME.....	7
FIGURE 1-1. STEERING INSTALLATION	8
FIGURE 1-2. REAR AXLE INSTALLATION	10
FIGURE 1-3. WHEEL DRIVE INSTALLATION.....	12
FIGURE 1-4. DRIVE MOTOR ASSEMBLY	16
FIGURE 1-5. DRIVE HUB ASSEMBLY	18
FIGURE 1-6. LADDER AND LEVELING CYLINDERS INSTALLATION.....	22
SECTION 2 - GROUND CONTROLS	25
FIGURE 2-1. RIGHT SIDE COMPONENTS INSTALLATION	26
FIGURE 2-2. MAIN VALVE ASSEMBLY (DRIVE/EXTEND/OUTRIGGER).....	30
FIGURE 2-3. DRIVE VALVE ASSEMBLY	32
FIGURE 2-4. MAIN VALVE ASSEMBLY (DRIVE/LIFT/AXLE LOCKOUT)	34
FIGURE 2-5. BRAKE AND EMERGENCY VALVE MANIFOLD	36
FIGURE 2-6. HAND PUMP ASSEMBLY	38
FIGURE 2-7. MAIN TERMINAL BOX ASSEMBLY	40
FIGURE 2-8. LEFT SIDE COMPONENTS INSTALLATION.....	42
FIGURE 2-9. ENGINE INSTALLATION.....	44
FIGURE 2-10. HOODS INSTALLATION	48
SECTION 3 - SCISSORS ARMS	51
FIGURE 3-1. SCISSORS ARMS INSTALLATION.....	52
SECTION 4 - PLATFORM.....	57
FIGURE 4-1. PLATFORM AND ACCESSORIES INSTALLATION.....	58
FIGURE 4-2. CONSOLE PANEL PARTS.....	64
SECTION 5 - CYLINDER.....	67
FIGURE 5-1. AXLE LOCKOUT CYLINDER ASSEMBLY	68
FIGURE 5-2. LIFT CYLINDER ASSEMBLY	70
FIGURE 5-3. LEVELING CYLINDER ASSEMBLY	72
FIGURE 5-4. PLATFORM EXTENSION CYLINDER ASSEMBLY	74
FIGURE 5-5. STEERING CYLINDER ASSEMBLY	76
SECTION 6 - HYDRAULIC	79
FIGURE 6-1. HYDRAULIC DIAGRAM.....	80
SECTION 7 - ELECTRICAL	87
FIGURE 7-1. ELECTRICAL PLANS - DIESEL CONTROL.....	88
SECTION 8 - DECALS.....	103
FIGURE 8-1. DECAL INSTALLATION.....	104
SECTION 9 - RECOMMENDED SERVICE PARTS STOCK	107
FIGURE 9-1. MODEL LIFTLUX 260-25 STANDARD PARTS	108
FIGURE 9-2. MODEL LIFTLUX 260-25 VARIABLE PARTS	110
SECTION 10 - SPECIAL OPTIONS.....	111

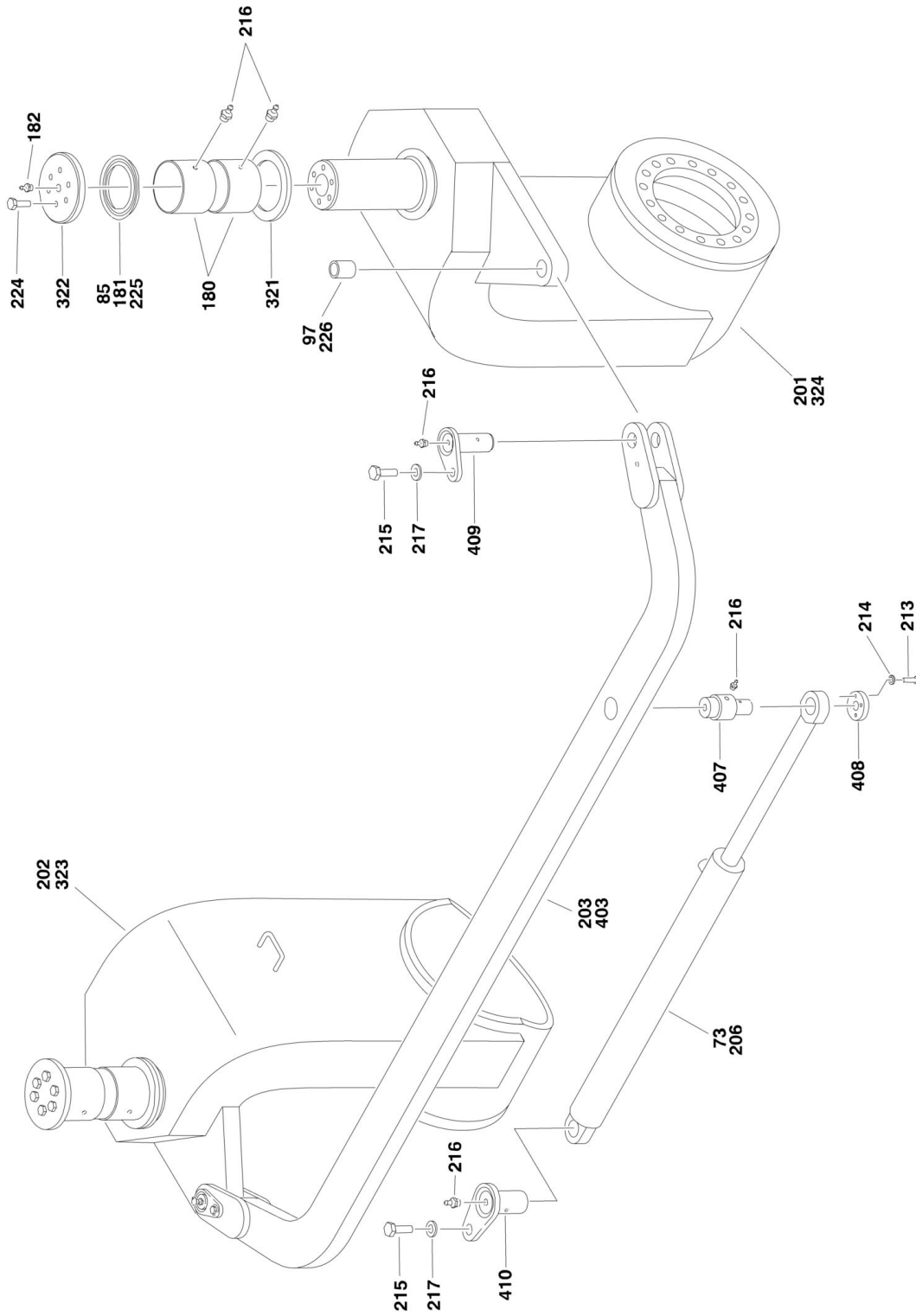
TABLE OF CONTENTS

FIGURE 10-1. SPECIAL OPTIONS	112
PART NUMBER INDEX.....	113

SECTION 1 - FRAME

SECTION 1 - FRAME

FIGURE 1-1. STEERING INSTALLATION



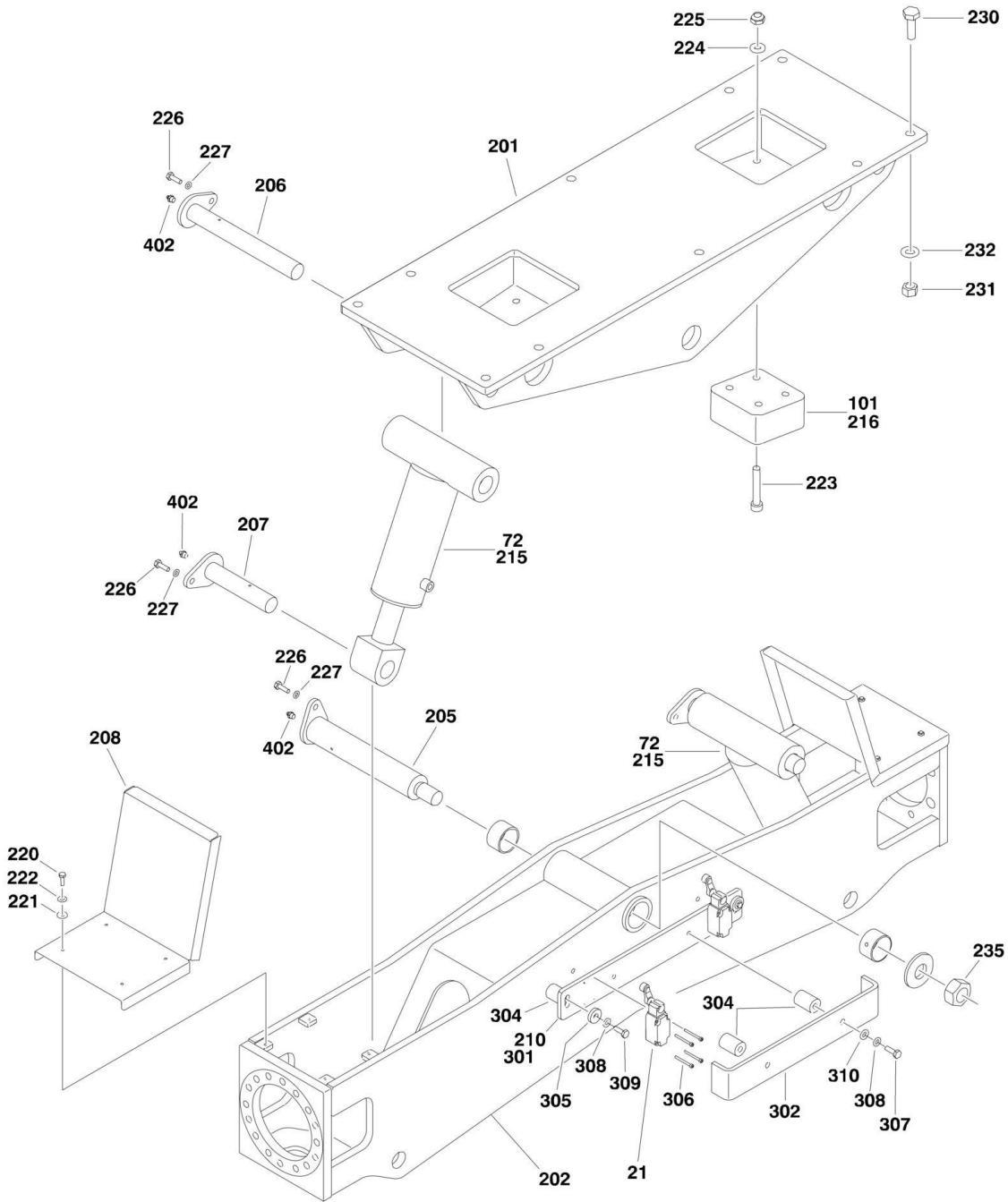
SECTION 1 - FRAME

FIGURE 1-1. STEERING INSTALLATION

ITEM	PART NUMBER	QTY	DESCRIPTION	REV
	0010660	Ref	FINAL ASSEMBLY LIST COMPONENTS	9
73	H000624	1	Steering Cylinder (See CYLINDER SECTION for Breakdown)	
85	H003190	2	Seal	
97	S001553	2	Bushing	
	SL260-25.110.00.0	Ref	FRAME INSTALLATION	A
123	S200569	1	Plate, Access (Not Shown - Bolts to Frame Between Front Wheels)	
180	S005002	4	Bushing	
181	H003190	2	Seal	
182	S000141	2	Fitting, Grease	
	SL260-25.120.00.0	Ref	FRONT AXLE INSTALLATION	2
201	S200546	1	Spindle, LH	
202	S200545	1	Spindle, RH	
203	S200544	1	Tie Rod	
206	H000624	1	Steering Cylinder (See CYLINDER SECTION for Breakdown)	
213	0760812	4	Bolt, M8x25	
214	4831900	4	Lockwasher M8	
215	0761212	3	Bolt, M12x25	
216	S000141	8	Fitting, Grease	
217	4832100	3	Lockwasher M12	
224	0761618	12	Bolt, M16x40	
225	H003190	2	Seal	
226	S001553	2	Bushing	
	SL260-25.120.01.0	Ref	SPINDLE ASSEMBLIES	
321	S200247	2	Thrust Washer	
322	S200547	2	Cap	
323	S200545	1	Spindle, RH	
324	S200546	1	Spindle, LH	
	SL260-25.120.03.0	Ref	TIE ROD ASSEMBLY	A
403	S200544	1	Tie Rod	
407	See Note	NLA	Pin, Cylinder to Tie Rod (Note: No Longer Available Separately - Purchase Item 403)	
408	S900160	1	Washer	
409	S200548	2	Pin	
410	S200543	1	Pin, Cylinder to Frame	

SECTION 1 - FRAME

FIGURE 1-2. REAR AXLE INSTALLATION



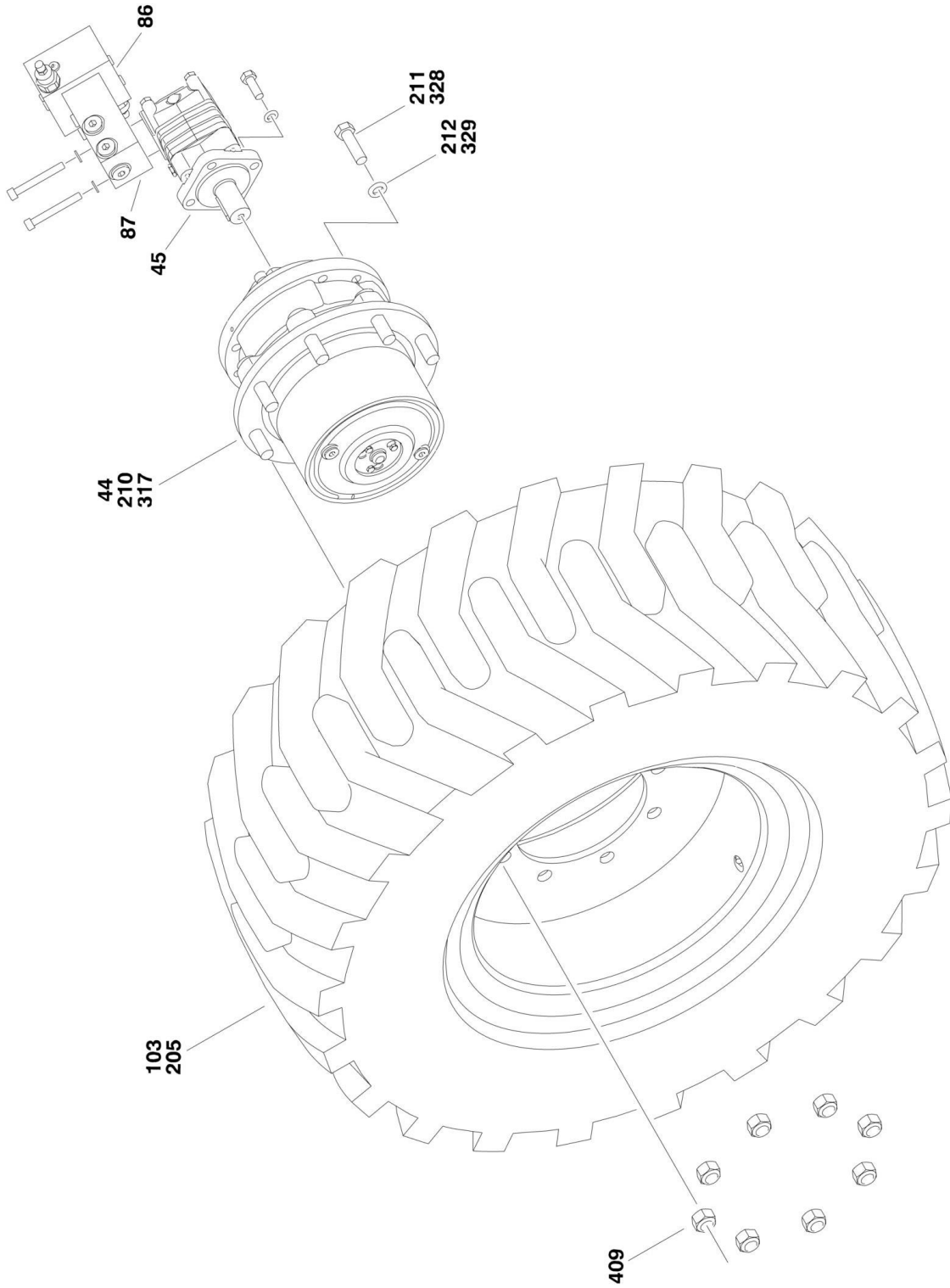
SECTION 1 - FRAME

FIGURE 1-2. REAR AXLE INSTALLATION

ITEM	PART NUMBER	QTY	DESCRIPTION	REV
	0010660	Ref	FINAL ASSEMBLY LIST COMPONENTS	9
21	E000376	2	Switch, Limit	
72	H000623	2	Cylinder, Lockout (See CYLINDER SECTION for Breakdown)	
101	S005030	2	Bumper	
	SL260-25.130.00.0	Ref	REAR AXLE INSTALLATION	
201	S200550	1	Weldment, Axle Mounting	
202	S200551	1	Axle	
205	S200552	1	Pin, Axle Pivot	
206	S200553	2	Pin, Upper Axle Lockout Cylinder	
207	S200554	2	Pin, Lower Axle Lockout Cylinder	
208	S200555	2	Shield	
210	S900161	1	Plate, Switch Mounting	
215	H000623	2	Cylinder, Lockout (See CYLINDER SECTION for Breakdown)	
216	S005030	2	Bumper	
220	0760810	8	Bolt M8x16	
221	4811900	8	Washer M8	
222	4831900	8	Lockwasher M8	
223	4032017	8	Capscrew M10x65	
224	4812000	8	Washer M10	
225	3291005	8	Nut M10	
226	0761214	5	Bolt M12x30	
227	4832100	5	Lockwasher M12	
230	0712024	10	Bolt M20x80 HV	
231	3332011	10	Nut M20 HV	
232	5242000	10	Washer M20 HV	
235	3333615	1	Nut M36	
	S032030-130-29-0	Ref	LIMIT SWITCH ASSEMBLY	1-A
301	S900161	1	Plate, Switch Mounting	
302	1001092011	1	Plate, Switch Cover	
304	S900189	4	Bushing, Spacer	
305	S900211	2	Spacer	
306	4031612	8	Capscrew M5x40	
307	0701226	2	Bolt M12x90	
308	4832100	4	Lockwasher M12	
309	0701222	2	Bolt M12x70	
310	4812100	2	Flatwasher M12	
	X26025L	Ref	REAR AXLE INSTALLATION	
402	S000141	5	Fitting, Grease	

SECTION 1 - FRAME

FIGURE 1-3. WHEEL DRIVE INSTALLATION



SECTION 1 - FRAME

FIGURE 1-3. WHEEL DRIVE INSTALLATION

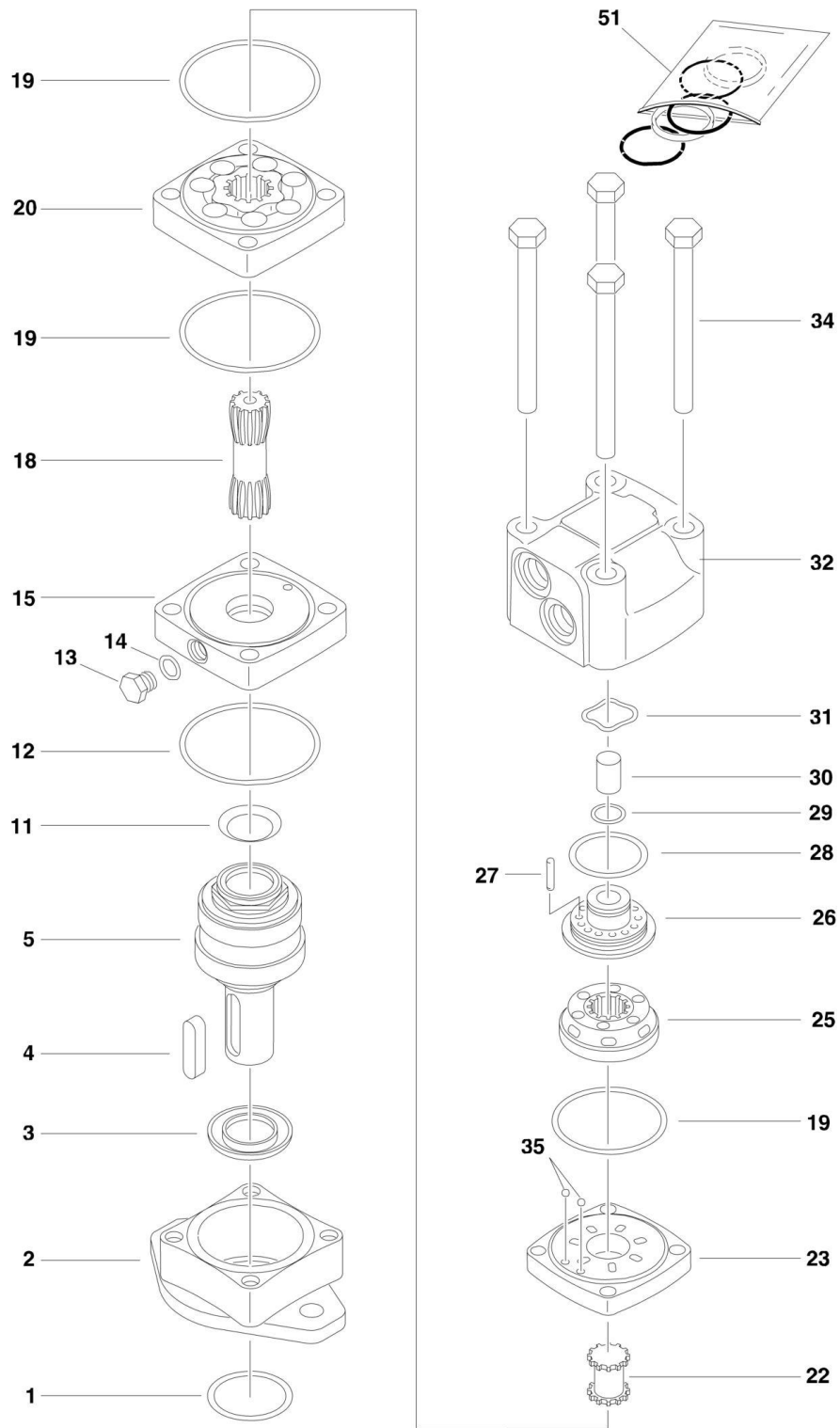
ITEM	PART NUMBER	QTY	DESCRIPTION	REV
	0010660	Ref	FINAL ASSEMBLY LIST COMPONENTS	9
44	H000214	4	Drive Hub Assembly (See DRIVE HUB ASSEMBLY for Breakdown)	
45	H000215	4	Drive Motor Assembly (See DRIVE MOTOR ASSEMBLY for Breakdown)	
86	H005451	2	Valve Assembly, Brake (No Serviceable Components - Front Only)	
87	H005624	2	Plate, Adapter (Front Only)	
103		Ref	Wheel and Tire Assembly Options:(Note: Assemblies may require ballast/foam filling to manufacturer's specifications prior to installing on a machine. Refer to Operation and Safety or Service and Maintenance Manuals. Purchase individual tire and/or rim only if able to foam fill tire and wheel assembly, otherwise, purchase complete assembly.)	
103		Ref	LH Assembly	
103	1001092077	2	Wheel and Tire Assembly (was p/n S005074) (Prior to SN 1200011647)	
103	1001092077	2	Wheel and Tire Assembly (SN 1200011647 through 1200022107)	
103		Ref	RH Assembly	
103	1001092078	2	Wheel and Tire Assembly (was p/n S005074) (Prior to SN 1200011647)	
103	1001092078	2	Wheel and Tire Assembly (SN 1200011647 through 1200022107)	
103	70000157	4	Wheel (1 per Assembly)	
103	70000155	4	Tire (1 per Assembly)	
103	70000156	4	Tube (1 per Assembly)	
103	70000158	4	Flap (1 per Assembly)	
	SL260-25.120.00.0	Ref	FRONT AXLE INSTALLATION	
205		Ref	Wheel and Tire Assembly Options:(Note:Assemblies may require ballast/foam filling to manufacturer's specifications prior to installing on a machine. Refer to Operation & Safety or Service & Maintenance Manuals Purchase individual tire and/or rim only if able to foam fill tire and wheel assembly, otherwise, purchase complete assembly	
205		Ref	LH Assembly	
205	1001092077	2	Wheel and Tire Assembly (was p/n S005074) (Prior to SN 1200011647)	
205	1001092077	2	Wheel and Tire Assembly (SN 1200011647 through 1200022107)	
205		Ref	RH Assembly	
205	1001092078	2	Wheel and Tire Assembly (was p/n S005074) (Prior to SN 1200011647)	
205	1001092078	2	Wheel and Tire Assembly (SN 1200011647 through 1200022107)	
205	70000157	4	Wheel (1 per Assembly)	
205	70000155	4	Tire (1 per Assembly)	
205	70000156	4	Tube (1 per Assembly)	
205	70000158	4	Flap (1 per Assembly)	
210	H000214	2	Drive Hub Assembly (See DRIVE HUB ASSEMBLY for Breakdown)	
211	0771618	24	Bolt, M16x50	
212	4812300	24	M16 Washer	
	SL260-25.130.00.0	Ref	REAR AXLE INSTALLATION	

SECTION 1 - FRAME

ITEM	PART NUMBER	QTY	DESCRIPTION	REV
317	H000214	2	Drive Hub Assembly (See DRIVE HUB ASSEMBLY for Breakdown)	
328	0771618	24	Bolt, M16x50	
329	4832300	24	M16 Washer	
	X26025L	Ref	MISCELLANEOUS PARTS LIST COMPONENTS	
409	S003992	32	Lug Nut	
410	S004000	32	Cap, Lug Nut (Not Shown)	

SECTION 1 - FRAME

FIGURE 1-4. DRIVE MOTOR ASSEMBLY



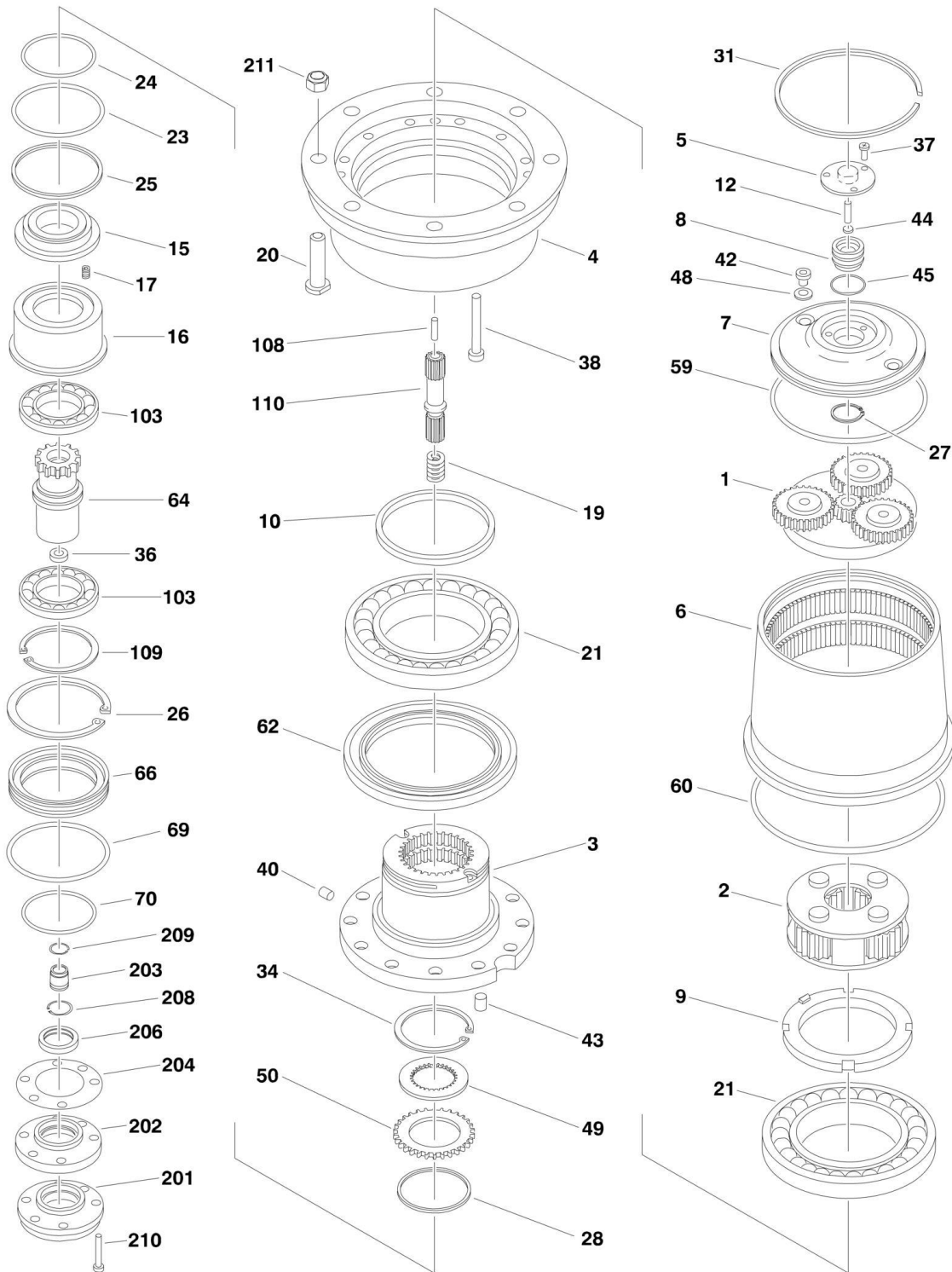
SECTION 1 - FRAME

FIGURE 1-4. DRIVE MOTOR ASSEMBLY

ITEM	PART NUMBER	QTY	DESCRIPTION	REV
	H000215	Ref	DRIVE MOTOR ASSEMBLY	B
1	Item 51	1	Seal, Dust	
2	Not Available	1	Flange, Mounting	
3	Item 51	1	Seal, Shaft	
4	7027950	1	Key	
5	7027951	1	Shaft	
11	Item 51	1	Ring, Seal	
12	Item 51	1	O-Ring	
13	7027952	1	Plug, Drain	
14	7027938	1	Washer	
15	Not Available	1	Plate, Intermediate	
18	7027953	1	Shaft, Cardan	
19	Item 51	3	O-Ring	
20	Not Available	1	Gear Set	
22	7027954	1	Drive, Valve	
23	Not Available	1	Plate, Channel	
25	7027955	1	Disc, Valve	
26	7027956	1	Plate, Balance	
27	7027957	1	Pin, Guide	
28	Item 51	1	O-Ring	
29	Item 51	1	O-Ring	
30	7027958	1	Spacer	
31	7027959	1	Spring Washer	
32	Not Available	1	Housing, Valve	
34	Not Available	4	Screw M10 x 130mm	
35	80334555	2	Ball, Check	
51	7027960	1	Seal Kit - (Includes Items 1, 3, 11, 12, 19, 28 & 29)	

SECTION 1 - FRAME

FIGURE 1-5. DRIVE HUB ASSEMBLY



SECTION 1 - FRAME

FIGURE 1-5. DRIVE HUB ASSEMBLY

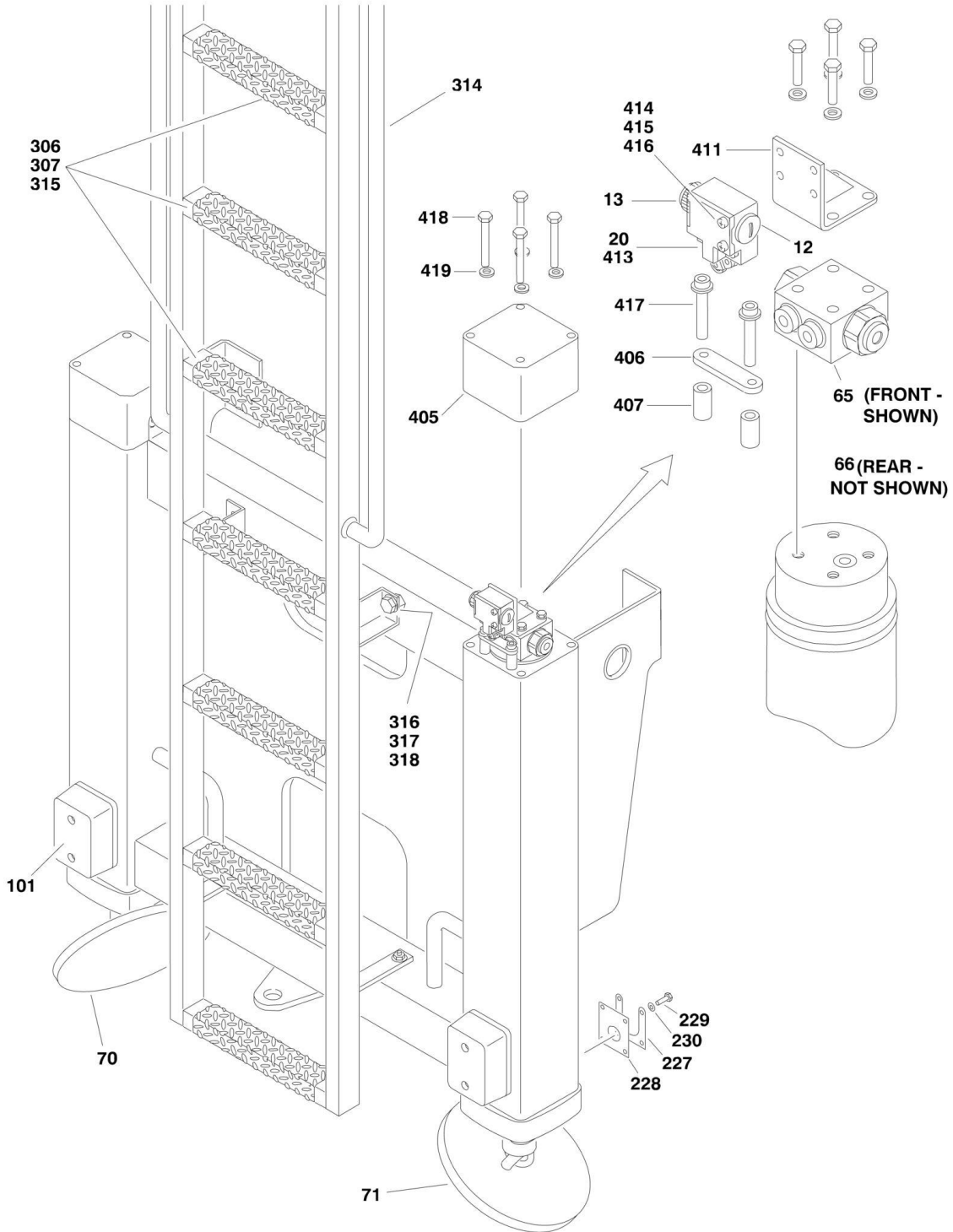
ITEM	PART NUMBER	QTY	DESCRIPTION	REV
	H000214	Ref	DRIVE HUB ASSEMBLY	D
1	70000394	1	Reduction Carrier	
2	70000629	1	Reduction Carrier	
3	70000395	1	Spindle	
4	70000396	1	Hub	
5	70000397	1	Disconnect Cap	
6	70000398	1	Gear Ring	
7	70000399	1	Cover	
8	70000400	1	Thrust Washer	
9	70000401	1	Lock Nut	
10	70000402	1	Spacer	
12	70000403	1	Pin	
15	70000404	1	Piston	
16	70000405	1	Gearcase Half	
17	70000241	12	Spring	
19	70000406	1	Spring	
20	70000407	8	Stud	
21	70000408	2	Bearing	
23	70000409	1	O-Ring	
24	70000257	1	O-Ring	
25	70000410	1	Wear Ring	
26	70000411	1	Circlip	
27	70000412	1	Circlip	
28	70000256	1	Wear Ring	
31	70000413	1	Retaining Ring	
34	70000414	1	Circlip	
36	70000415	1	Pressure Plug	
37	70000416	3	Screw	
38	70000417	15	Screw	
40	70000418	2	Expansion Plug	
42	70000419	2	Plug	
43	70000420	1	Plug	
44	70000421	1	O-Ring	
45	70000422	1	O-Ring	
48	70000423	2	Washer	
49	70000424	7	Steel Disc	
50	70000425	6	Bronze Disc	
59	70000426	1	O-Ring	
60	70000427	1	O-Ring	
62	70000428	1	Oil Seal	
64	70000429	1	Shaft	
66	70000430	1	Spacer	
69	70000431	1	O-Ring	
70	70000432	1	O-Ring	
103	70000433	2	Bearing	
108	70000630	1	Pin	
109	70000434	1	Internal Circlip	
110	70000631	1	Shaft	
201	70000387	1	Flange	
202	70000388	1	Spacer	

SECTION 1 - FRAME

ITEM	PART NUMBER	QTY	DESCRIPTION	REV
203	70000389	1	Coupling	
204	70000390	1	Gasket	
206	70000391	1	Oil Seal	
208	70000392	1	Circlip	
209	70000393	1	Circlip	
210	4032113	4	Bolt, M12x45	
211	S003992	32	Lug Nut	

SECTION 1 - FRAME

FIGURE 1-6. LADDER AND LEVELING CYLINDERS INSTALLATION



SECTION 1 - FRAME

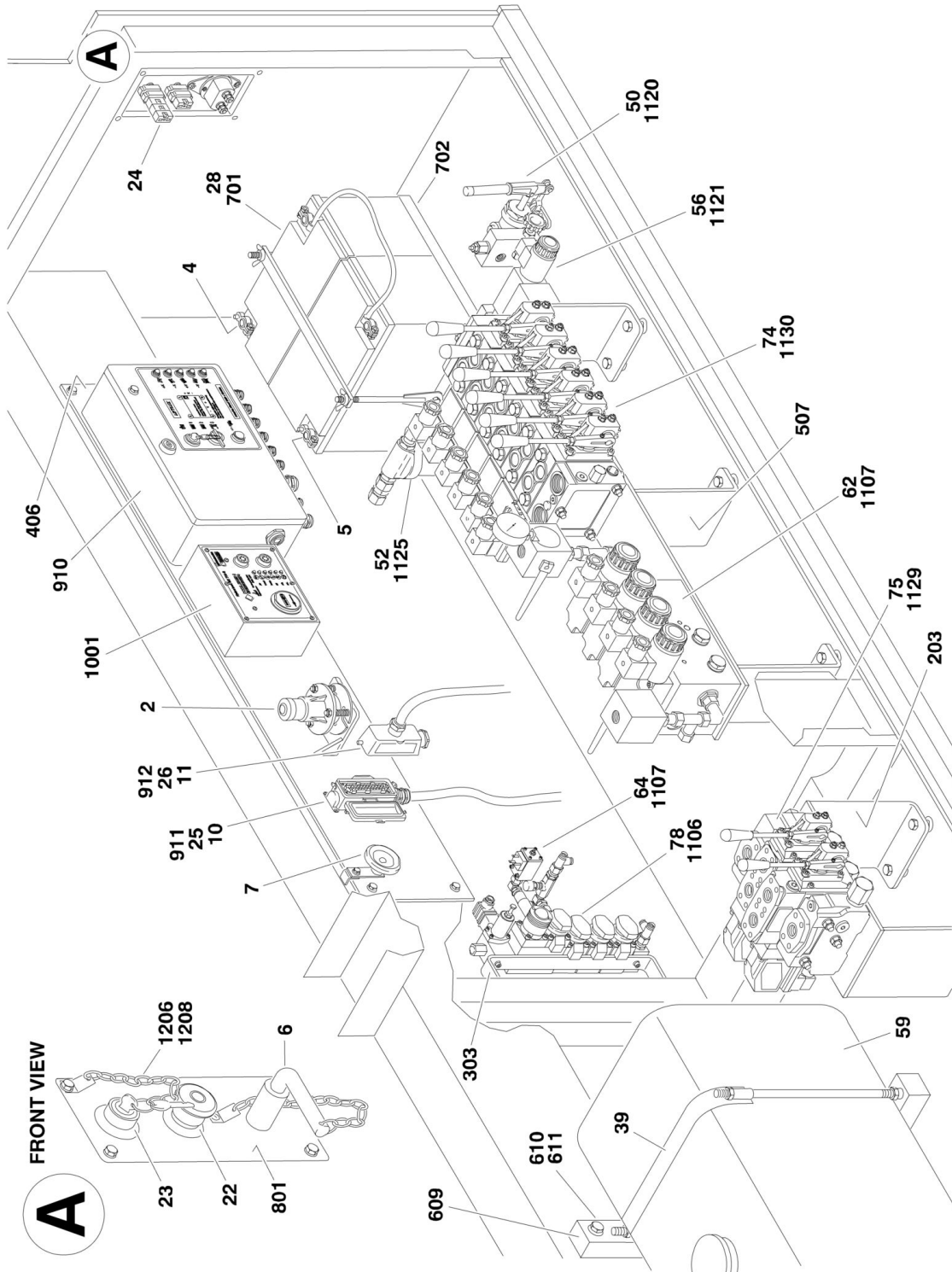
FIGURE 1-6. LADDER AND LEVELING CYLINDERS INSTALLATION

ITEM	PART NUMBER	QTY	DESCRIPTION	REV
	0010660	Ref	FINAL ASSEMBLY LIST COMPONENTS	9
12	E000230	4	Plug	
13	E000231	4	Gland, Cable	
20	E000359	4	Switch, Limit	
65	H000558	2	Valve, Leveling Cylinder (8 Bar)	
66	H000559	2	Valve, Leveling Cylinder (1 Bar)	
70	H000621	2	Cylinder, Leveling (Right Front, Left Rear) (See CYLINDER SECTION for Breakdown)	
71	H000622	2	Cylinder, Leveling (Left Front, Right Rear) (See CYLINDER SECTION for Breakdown)	
101	S005030	4	Bumper	
	SL260-25.110.03.0	Ref	FRAME END PLATE INSTALLATION	A
227	S900157	4	Plate	
228	S900158	4	Gasket	
229	0760608	16	Bolt, M6x16	
230	4831700	16	M6 Lockwasher	
	SL260-25.180.00.0	Ref	LADDER INSTALLATION	
306	S004501	1	Non Slip Strip	
307	S004500	10	Non Slip Strip	
314	S000216	1	Ladder	
315	3820510	34	M5 Rivet	
316	0761015	4	Bolt, M10x35	
317	4812000	4	M10 Washer	
318	3291005	2	M10 Nut	
	SL260-25.190.00.0	Ref	OUTRIGGER SWITCHES INSTALLATION	
405	S200557	4	Cover, Switch	
406	S900165	4	Plate	
407	S900166	8	Spacer	
411	S900167	4	Bracket, Switch	
413	E000359	4	Switch, Limit	
414	4811400	16	M4 Washer	
415	4031510	16	Bolt, M4x30	
416	3290405	16	M4 Nut	
417	0700817	8	Bolt, M8x45	
418	4031929	16	Bolt, M8x160	
419	4811900	16	M8 Washer	

SECTION 2 - GROUND CONTROLS

SECTION 2 - GROUND CONTROLS

FIGURE 2-1. RIGHT SIDE COMPONENTS INSTALLATION



SECTION 2 - GROUND CONTROLS

FIGURE 2-1. RIGHT SIDE COMPONENTS INSTALLATION

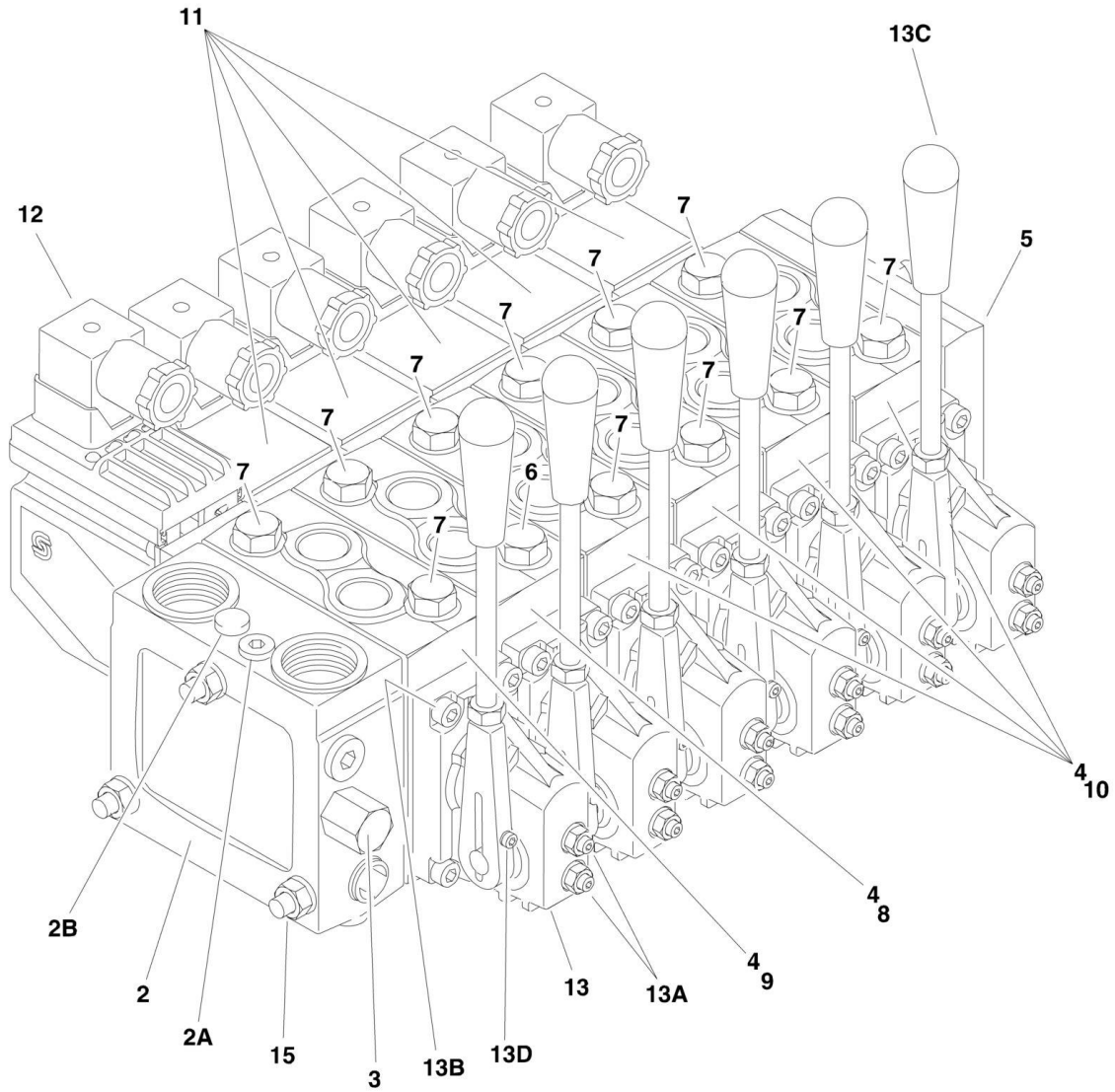
ITEM	PART NUMBER	QTY	DESCRIPTION	REV
	10660	Ref	FINAL ASSEMBLY LIST COMPONENTS	9
2	E000044	1	Switch, Tilt	
4	E000057	2	Terminal, Battery (Negative)	
5	E000058	2	Terminal, Battery (Positive)	
6	E000059	1	Switch, Battery Isolator	
6	70001114	1	Handle	
7	E000063	1	Horn	
9	E000083	AR	Cable, Control	
10	E000102	1	Connector Housing, Female 24-Pin	
11	E000103	1	Connector Housing, Male 24-Pin	
22	E000377	1	Switch, Emergency Stop	
23	E000390	1	Switch, Leveling Cylinder Key	
23	7027962	1	Key	
24	E000391	3	Contact Block	
25	E000481	1	Connector Insert, Female 24-Pin	
26	E000482	1	Connector Insert, Male 24-Pin	
28	8008750	2	Battery	
37	H000048	1	Fitting, Fuel Hose (Return - Not Shown)	
38	H000049	1	Fitting, Fuel Hose (Feed - Not Shown)	
39	H000051	2	Strap, Fuel Tank Mounting	
50	H000285	1	Pump, Hand (See HAND PUMP ASSEMBLY for Breakdown)	
52	H000311	1	Filter, Mini High Pressure	
52	70000020	1	Element	
52	70000021	1	Seal	
56	H000370	1	Steer Valve (No Serviceable Parts Available)	
59	H000412	1	Fuel Tank	
59	70000902	1	Cap, Fuel	
62	H000436	1	Drive Valve Assembly (See DRIVE VALVE ASSEMBLY for Breakdown)	
64	H000536	1	Pressure Switch	
74	H000699	1	Main Valve Bank Assembly (Drive/Extend/Outrigger) (See MAIN VALVE ASSEMBLY (DRIVE/EXTEND/OUTRIGGER) for Breakdown)	
75	H000700	1	Main Valve Bank Assembly (Drive/Lift/Axle Lockout) (See MAIN VALVE ASSEMBLY (DRIVE/LIFT/AXLE LOCKOUT) for Breakdown)	
78	H000707	1	Brake and Emergency Valve Manifold (See BRAKE AND EMERGENCY VALVE MANIFOLD for Breakdown)	
130	H000038	5	Fuel Hose, 5.5x10mm (Not Shown)	
131	H000039	5	Fuel Hose, 7.5x12.5mm (Not Shown)	
	SL320-30.160.21.0	Ref	VALVE MOUNTING BRACKET ASSEMBLY	
203	S200562	1	Bracket, Main Valve (Drive/Lift/Axle Lockout)	
	SL260-25.160.23.0	Ref	BRAKE AND EMERGENCY VALVE MANIFOLD BRACKET	
303	70000584	1	Bracket, Brake and Emergency Valve Manifold	
	SL320-30.162.01.0	Ref	ELECTRICAL MOUNTING PANEL ASSEMBLY	A
406	S200563	1	Panel, Electrical Carrier	
	SL320-30.162.02.0	Ref	VALVE MOUNTING BRACKET ASSEMBLY	
507	S200564	1	Bracket, Main Valve (Drive/Extend/Outrigger)	
	SL320-30.162.03.0	Ref	FUEL TANK MOUNTING BRACKET ASSEMBLY	
609	S200559	2	Bracket, Fuel Tank Mounting	
610	701022	4	Bolt, M10x70	

SECTION 2 - GROUND CONTROLS

ITEM	PART NUMBER	QTY	DESCRIPTION	REV
611	4832000	4	M10 Lockwasher	
	SL320-30.162.07.0	Ref	BATTERY TRAY INSTALLATION	B
701	8008750	2	Battery	
702	S200565	1	Tray Assembly, Battery	
702	70000590	1	Cross Bar	
702	70000591	2	Bolt, Battery Holddown	
702	4812000	2	M10 Washer	
702	3300496	2	M10 Wing Nut	
702	760812	2	Bolt, M8x25	
702	4811900	2	M8 Washer	
702	4032007	4	Bolt, M10x16	
702	4832000	4	M10 Lockwasher	
	SL153-00-600.07.0	Ref	SWITCH MOUNTING PANEL	
801	S200263	1	Panel, Switch Mounting	
	E000494	Ref	ELECTRICAL COMPONENTS	3
910		Ref	Control Box Assembly, Ground (See MAIN TERMINAL BOX ASSEMBLY for Breakdown)	
911	E000102	1	Connector Housing, Female 24-Pin	
912	E000482	1	Connector Insert, Male 24-Pin	
935	E000083	AR	Cable, Control	
	H000435	Ref	ENGINE COMPONENTS	
1001	H005559	1	Control Box, Deutz Engine	
1001	70001352	1	PC Board with LEDs	
1001	70001353	1	E-Prom w/Software	
1001	70001355	1	Diode	
1001	70000634	1	Hourmeter	
1001	70000635	2	Switch, Pushbutton	
1001	70001122	4	Mount, Vibration	
	H900037	Ref	HYDRAULIC DIAGRAM COMPONENTS	1
1106	H000707	1	Brake and Emergency Valve Manifold (See BRAKE AND EMERGENCY VALVE MANIFOLD for Breakdown)	
1107	H000436	1	Drive Valve Assembly (See DRIVE VALVE ASSEMBLY for Breakdown)	
1117	H000536	1	Pressure Switch	
1120	H000285	1	Pump, Hand (See HAND PUMP ASSEMBLY for Breakdown)	
1121	H000370	1	Steer Valve (No Serviceable Parts Available)	
1125	H000311	1	Filter, Mini High Pressure	
1125	70000020	1	Element	
1125	70000021	1	Seal	
1129	H000700	1	Main Valve Bank Assembly (Drive/Lift/Axle Lockout) (See MAIN VALVE ASSEMBLY (DRIVE/LIFT/AXLE LOCKOUT) for Breakdown)	
1130	H000699	1	Main Valve Bank Assembly (Drive/Extend/Outrigger) (See MAIN VALVE ASSEMBLY (DRIVE/LIFT/AXLE LOCKOUT) for Breakdown)	
	X26025L	Ref	MISCELLANEOUS PARTS LIST COMPONENTS	1
1206	S001443	3	Chain	
1208	S001677	2	Ring, Key	

SECTION 2 - GROUND CONTROLS

FIGURE 2-2. MAIN VALVE ASSEMBLY (DRIVE/EXTEND/OUTRIGGER)



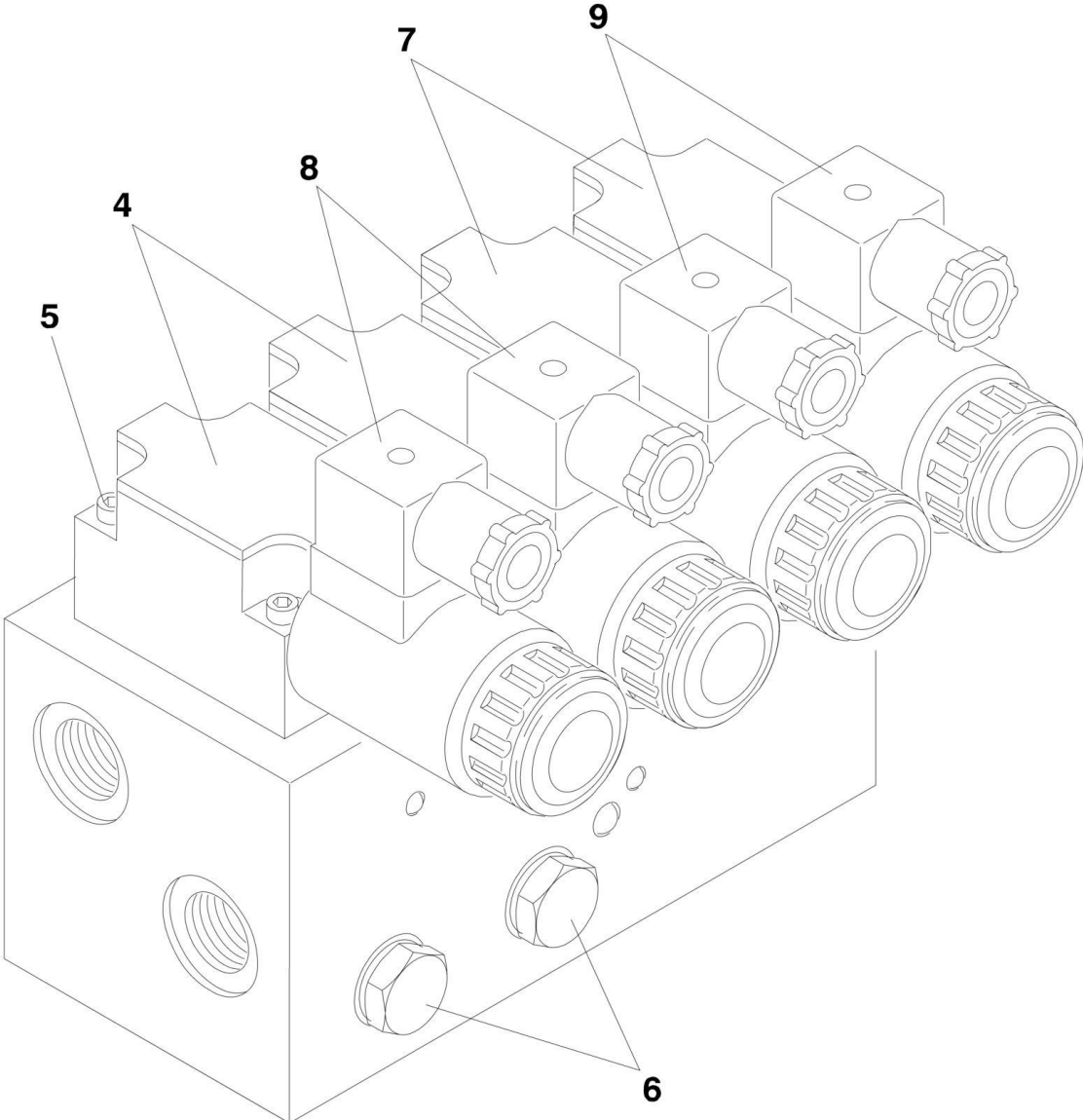
SECTION 2 - GROUND CONTROLS

FIGURE 2-2. MAIN VALVE ASSEMBLY (DRIVE/EXTEND/OUTRIGGER)

ITEM	PART NUMBER	QTY	DESCRIPTION	REV
	H000699	Ref	MAIN VALVE ASSEMBLY (DRIVE/EXTEND/OUTRIGGER)	B
2	H000116	1	Section, Pump (Left Side)	
2	8007939	1	Seal Kit - H000116 Section	
2A	8007944	1	Pilot Supply Assembly	
2B	7027912	1	Relief Assembly	
3	H000352	1	External Pilot Supply	
4	7028847	6	Valve Section (With Relief Valve) (was p/n H000188)	
4	8007935	6	Seal Kit - 7028847 Section (was p/n H000031)	
5	H000580	1	End Plate	
5	See Item 15	1	Seal Kit - H000580 Section	
6	H000602	1	Valve, Relief (Platform Function Only)	
7	H005250	5	Valve, Relief (All Functions Except Lift Function)	
8	H000514	1	Spool (Platform)	
9	H005279	1	Spool (Drive 2)	
10	H000512	4	Spool (Outrigger)	
11	H000191	5	Electrical Activator (on-off) (All Functions Except Drive 2)	
11	8007954	5	Seal Kit - H000191 Electrical Activator (was p/n H000032)	
11	7028846	20	Screw, Mounting	
11	7028849	5	DIN Connector (Black)	
12	H000206	1	Electrical Activator (Proportional High) (Drive 2 Function)	
12	8007954	1	Seal Kit - H000206 Electrical Activator (was p/n H000032)	
12	7028846	4	Screw, Mounting	
12	8007953	1	DIN Connector (White)	
13	7028893	6	Mechanical Activation Assembly (was p/n H000187)	
13	8007894	6	Seal Kit - 7028893 Mechanical Activator (was p/n H005248)	
13A	1003107	12	Nut, Seal (2 per Assembly)	
13A	8007915	12	Pin, Threaded (2 per Assembly)	
13B	0318854	24	Screw (4 per Assembly)	
13C	H005247	6	Base and Lever Assembly (1 per Assembly)	
13D	0307544	6	Screw (1 per Assembly)	
13D	0893076	6	Washer (1 Per Assembly)	
15	8003063	1	Assembly Kit (Includes Hardware and Seals for Between Valve Sections) (was p/n H005272)	
15	7028848	6	Seal Kit for Between Valve Sections (was p/n H005249) (Note: One Seal Kit does both sides of section.)	

SECTION 2 - GROUND CONTROLS

FIGURE 2-3. DRIVE VALVE ASSEMBLY



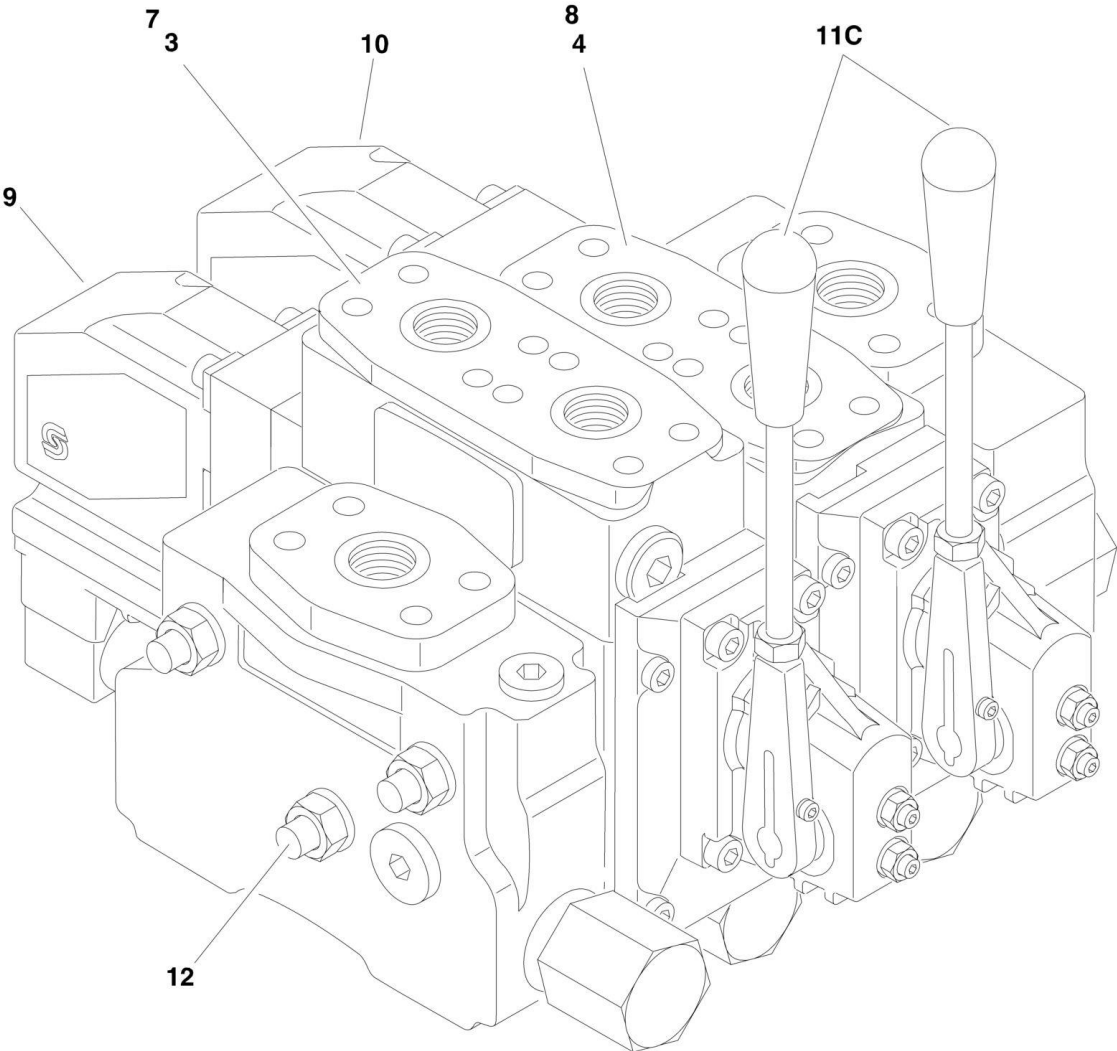
SECTION 2 - GROUND CONTROLS

FIGURE 2-3. DRIVE VALVE ASSEMBLY

ITEM	PART NUMBER	QTY	DESCRIPTION	REV
	H000436	Ref	DRIVE VALVE ASSEMBLY	C
4	70000269	2	Spool Valve	
4	70000385	AR	Coil (Note: Coil Nut, and Seal Kit Not Currently Available)	
5	70000270	16	DIN Screw	
6	70000267	2	Flow Divider	
7	70000271	2	Spool Valve	
7	70000385	AR	Coil (Note: Coil Nut, and Seal Kit Not Currently Available)	
8	70000333	2	DIN Connector (Gray)	
9	70000332	2	DIN Connector (Black)	

SECTION 2 - GROUND CONTROLS

FIGURE 2-4. MAIN VALVE ASSEMBLY (DRIVE/LIFT/AXLE LOCKOUT)



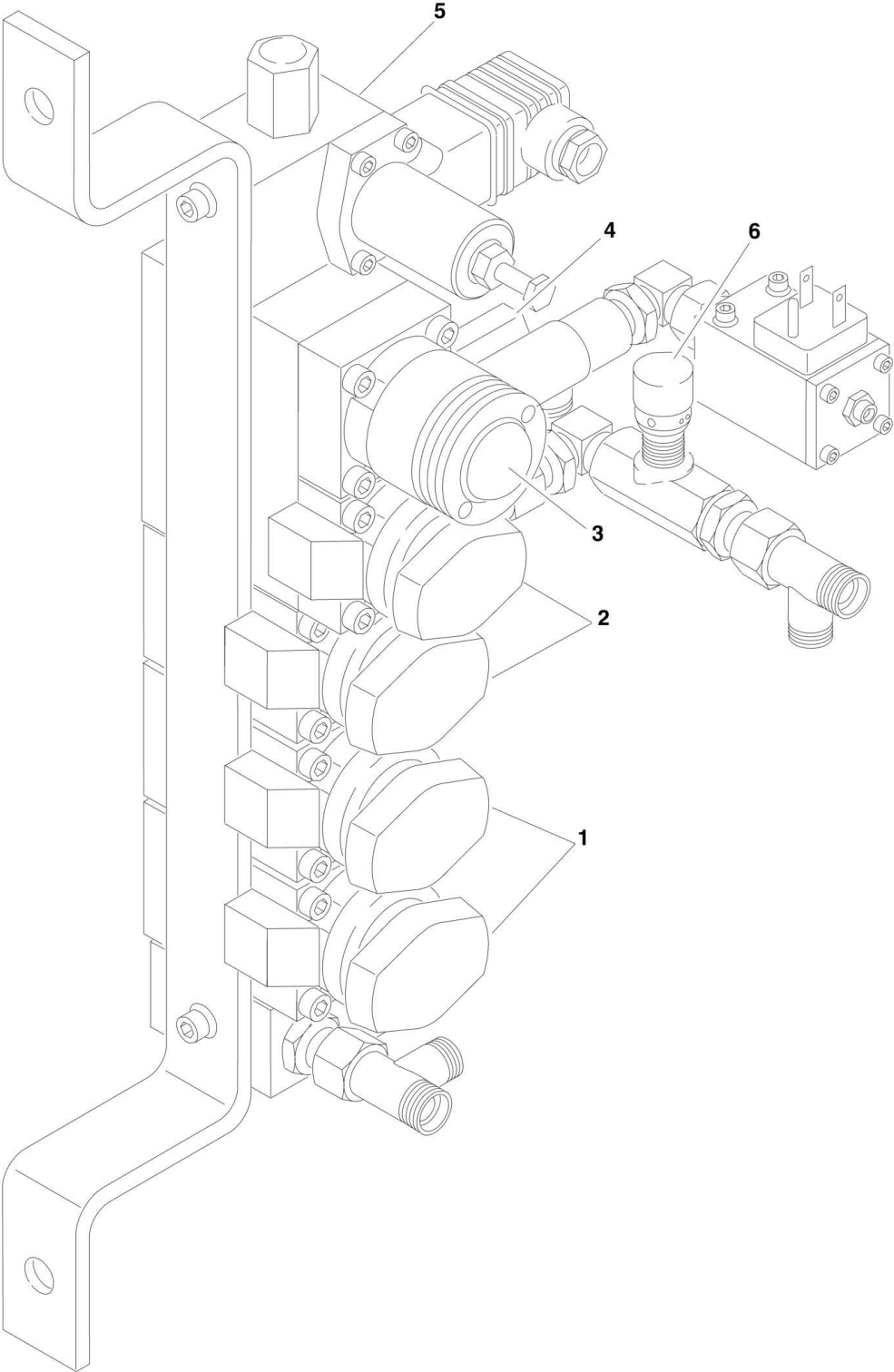
SECTION 2 - GROUND CONTROLS

FIGURE 2-4. MAIN VALVE ASSEMBLY (DRIVE/LIFT/AXLE LOCKOUT)

ITEM	PART NUMBER	QTY	DESCRIPTION	REV
	H000700	Ref	MAIN VALVE ASSEMBLY (DRIVE/LIFT/AXLE LOCKOUT)	B
2	7027916	1	Section, Pump (Left Side)	
2	7027917	1	Seal Kit - Section	
2A	Not Available	1	Pressure Adjustment Assembly (Purchase Complete Section)	
2A	Not Available	1	Plug (Opposite Side)	
2B	Not Available	1	Relief Assembly	
3	7027918	1	Valve Section (With Shock Valve Ports) (Drive)	
3	7027919	1	Seal Kit - Section	
3A	7027920	1	Compensator, Spool and Ball Kit	
3A	7027921	1	Plug, Spring, Disc and Seal Kit	
3B	7027922	2	Valve, Shock	
4	7027923	1	Valve Section (Without Shock Valve Ports) (Lift)	
4	7027919	1	Seal Kit - Section	
4A	7027920	1	Compensator, Spool and Ball Kit	
4A	7027921	1	Plug, Spring, Disc and Seal Kit	
5	7027924	1	Section, Tank Side - Upper	
5	7027925	1	Seal Kit - Upper Tank Side Section (Includes Seals Between Upper and Lower Tank Side Sections)	
6	7027926	1	Section, Tank Side - Lower	
6	7027927	1	Seal Kit - Lower Tank Side Section (Includes Filter)	
6A	Not Available	1	Pilot Supply Assembly	
7	7027928	1	Spool (Drive)	
8	7027929	1	Spool (Lift)	
9	7027930	1	Electrical Activator (Drive)	
9	7027931	1	Seal Kit - Electrical Activator	
9	Not Available	4	Screw, Mounting	
9	8007953	1	DIN Connector	
10	7027932	1	Electrical Activator (Lift)	
10	7027931	1	Seal Kit - Electrical Activator	
10	Not Available	4	Screw, Mounting	
10	7028849	1	DIN Connector	
11	7027934	2	Mechanical Activation Assembly	
11	7027935	2	Seal Kit - Mechanical Activator	
11A	1003107	4	Nut, Seal (2 per Assembly)	
11A	8007915	4	Pin, Threaded (2 per Assembly)	
11B	Not Available	8	Screw (4 per Assembly)	
11C	H005247	2	Base and Lever Assembly (1 Per Valve Section)	
11C	0307544	2	Screw (1 per Assembly)	
11C	0893076	2	Washer (1 Per Assembly)	
12	7027936	1	Assembly Kit (Includes Hardware and Seals for Between Valve Sections)	
12	7027937	2	Seal Kit for Between Valve Sections (Note: One Seal Kit does both sides of section.)	

SECTION 2 - GROUND CONTROLS

FIGURE 2-5. BRAKE AND EMERGENCY VALVE MANIFOLD



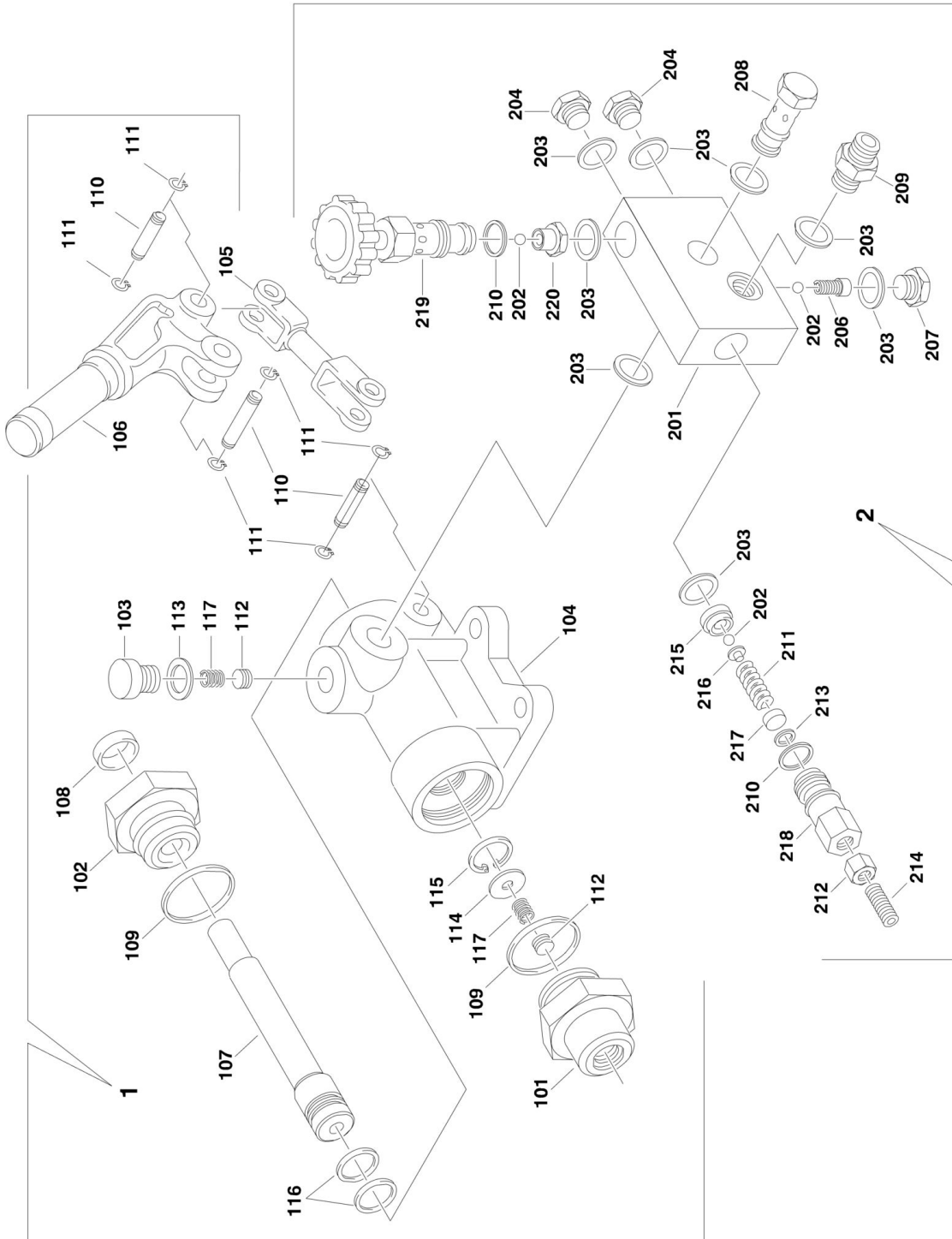
SECTION 2 - GROUND CONTROLS

FIGURE 2-5. BRAKE AND EMERGENCY VALVE MANIFOLD

ITEM	PART NUMBER	QTY	DESCRIPTION	REV
	H000707	Ref	BRAKE AND EMERGENCY VALVE MANIFOLD	C
1	70002076	2	Directional Valve, Manual	
2	70002077	2	Directional Valve, Manual	
3	70002078	1	Directional Valve, Electric	
4	70002079	1	Check Valve	
5	70002080	1	Switch, Pressure	
6	70002081	1	Throttle Valve	

SECTION 2 - GROUND CONTROLS

FIGURE 2-6. HAND PUMP ASSEMBLY



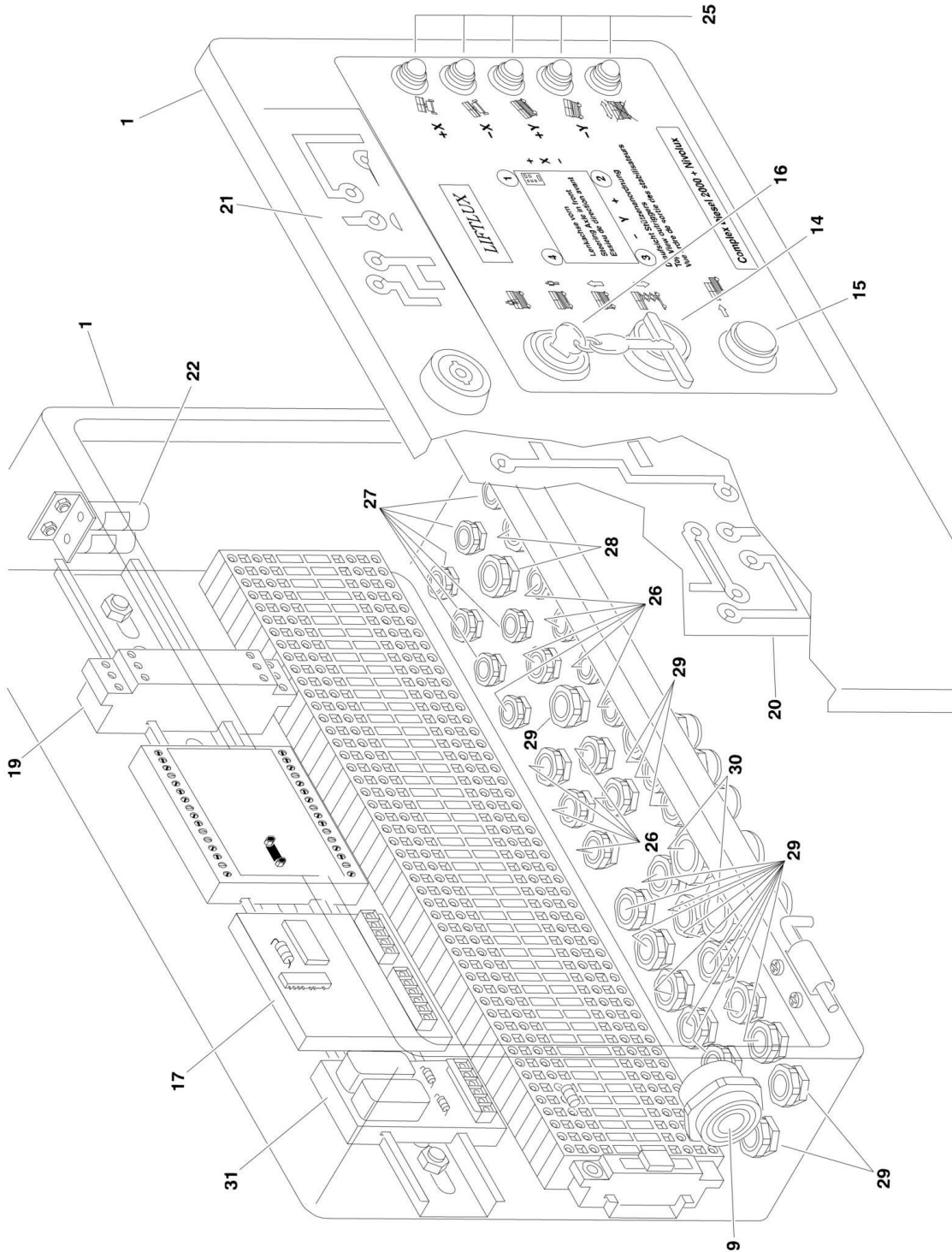
SECTION 2 - GROUND CONTROLS

FIGURE 2-6. HAND PUMP ASSEMBLY

ITEM	PART NUMBER	QTY	DESCRIPTION	REV
	H000285	Ref	HAND PUMP ASSEMBLY	D
1	70000513	1	Pump Assembly (See Items 101-117 for Breakdown)	
2	70000528	1	Valve Assembly (See Items 201-220 for breakdown)	
	70000513	Ref	PUMP ASSEMBLY	
101	70000514	1	Valve, Suction	
102	Not Available	1	Plug	
103	Not Available	1	Plug	
104	Not Available	1	Body	
105	70000515	1	Rod, Connecting	
106	70000516	1	Lever	
107	70000517	1	Piston	
108	70000518	1	Seal	
109	70000519	2	Seal	
110	70000520	2	Pin	
111	70000521	6	Ring, Retaining	
112	70000522	2	Ball	
113	70000523	1	Ring	
114	70000524	1	Washer	
115	70000525	1	Ring, Internal Retaining	
116	70000526	2	Seal	
117	70000527	2	Spring	
	70000528	Ref	VALVE ASSEMBLY	
201	Not Available	1	Body	
202	70000529	3	Ball	
203	70000530	8	Ring	
204	Not Available	2	Bolt M8 x 8mm	
205	70000531	1	Spinner (Not Shown)	
206	70000532	1	Spring	
207	Not Available	1	Plug	
208	70000533	1	Screw	
209	70000534	1	Fitting, Straight	
210	70000535	2	Seal	
211	70000536	1	Spring	
212	Not Available	1	Nut M10	
213	70000537	1	Seal	
214	Not Available	1	Setscrew	
215	70000538	1	Relief, Valve	
216	70000539	1	Pin, Ball Driving	
217	70000540	1	Plate, Seal	
218	70000541	1	Valve Body	
219	70000542	1	Knob Assembly	
220	70000543	1	Valve Body	

SECTION 2 - GROUND CONTROLS

FIGURE 2-7. MAIN TERMINAL BOX ASSEMBLY



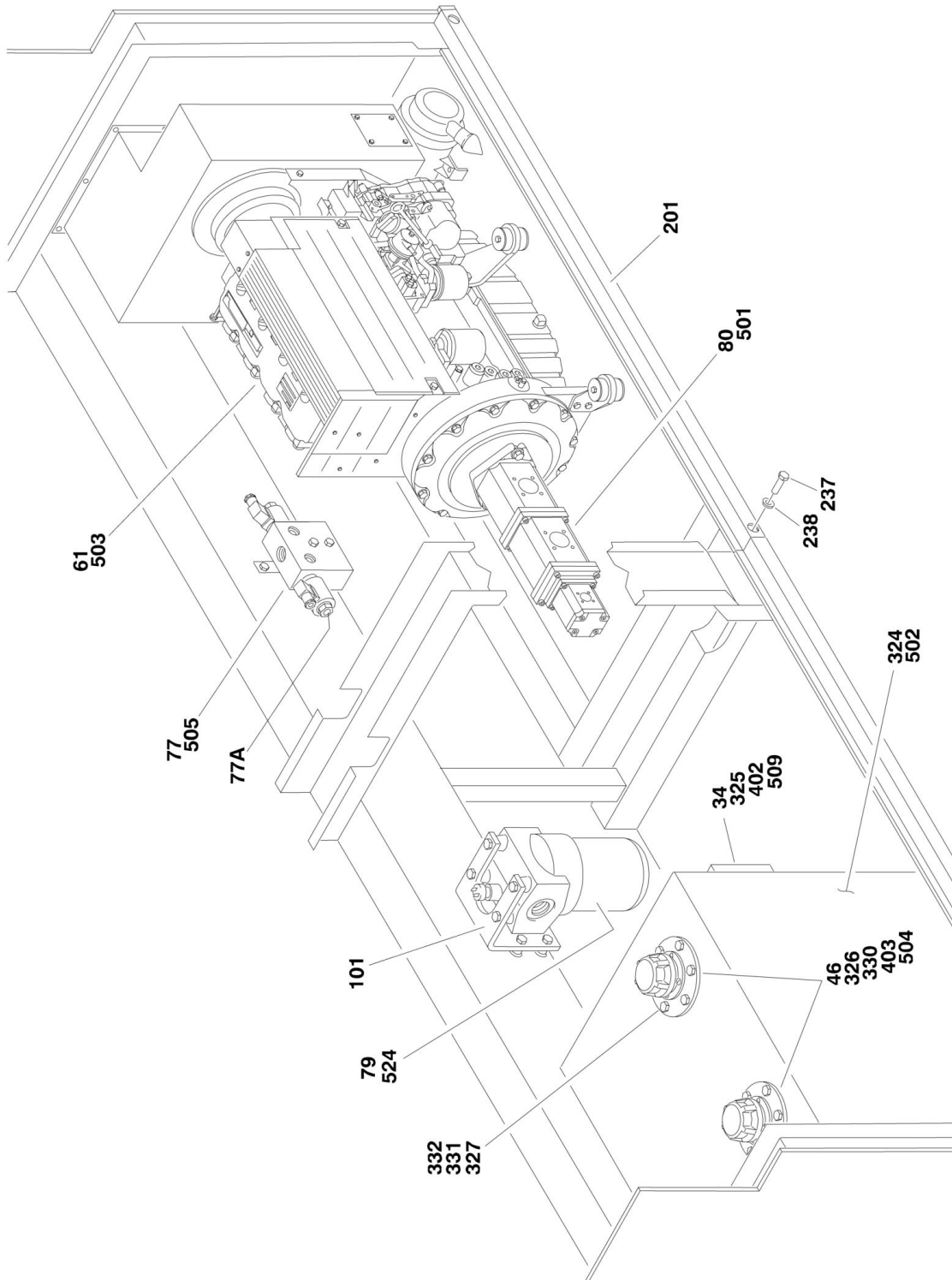
SECTION 2 - GROUND CONTROLS

FIGURE 2-7. MAIN TERMINAL BOX ASSEMBLY

ITEM	PART NUMBER	QTY	DESCRIPTION	REV
		Ref	MAIN TERMINAL BOX ASSEMBLY	
1	E001194	1	Control Box Housing	
9	E000407	1	Alarm	
14	E000436	1	Switch, Lift	
15	E000412	1	Switch, Deck Extend	
16	E000378	1	Switch, Key	
17	E000189	1	Card, Pump Delay	
19	E000457	1	Relay	
20	E000218	1	Control Card, Complex	
21	E000214	1	Nivolux Circuit Board	
22	E001206	2	Inclinometer Pendulum	
25	E000419	5	LED, Red Complete	
26		Ref	Strain Relief, PG7	
27	E000018	6	Strain Relief, PG9	
28	E000015	9	Strain Relief, PG13.5	
29	E000303	28	Strain Relief, PG16	
29	E000292	28	Nut, Brass (For PG16 Strain Relief)	
30	E000304	2	Strain Relief, PG21	
31	E700100	1	Module, Max Load Relay	
32	Not Available	1	Harness, Main Terminal Box (Not Shown)	
32	E000102	1	Connector Housing, Female 24-Pin (Not Shown)	
32	E000481	1	Connector Insert, Female 24-Pin (Not Shown)	
32	70000952	1	Connector (2 Pin for Nivolux - Not Shown)	
32	70000953	2	Connector (3 Pin for Nivolux - Not Shown)	
32	70000954	1	Connector (4 Pin for Nivolux - Not Shown)	
32	70000955	2	Connector (8 Pin for Complex - Not Shown)	
32	70000956	4	Connector (12 Pin for Nivolux and Complex - Not Shown)	
32	70003616	1	Connector (6 Pin for Nivolux and Complex Board - Not Shown)	

SECTION 2 - GROUND CONTROLS

FIGURE 2-8. LEFT SIDE COMPONENTS INSTALLATION



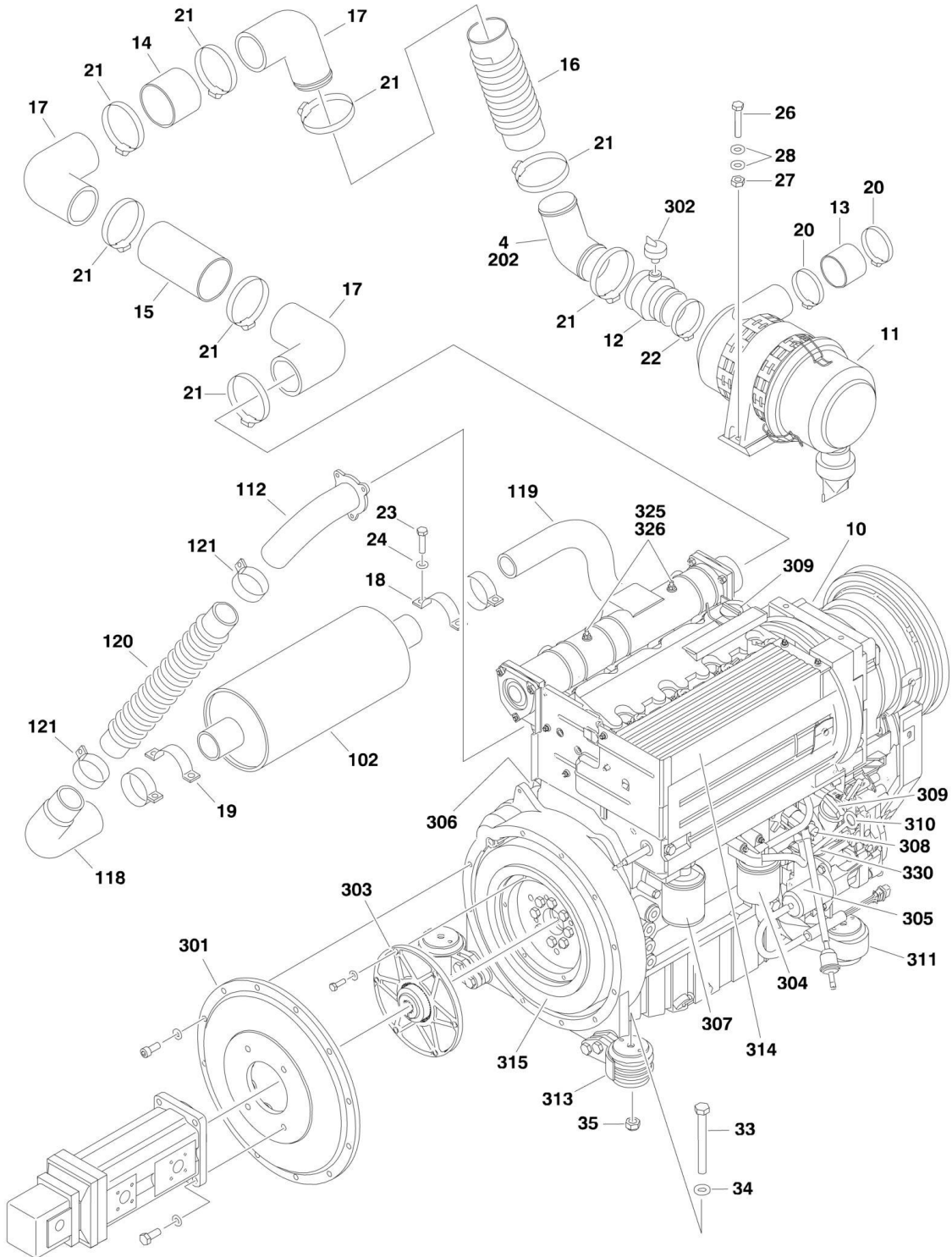
SECTION 2 - GROUND CONTROLS

FIGURE 2-8. LEFT SIDE COMPONENTS INSTALLATION

ITEM	PART NUMBER	QTY	DESCRIPTION	REV
	10660	Ref	FINAL ASSEMBLY LIST COMPONENTS	9
34	H000013	1	Gauge, Hydraulic Oil Level (Prior to SN 1200015409)	
46	H000241	2	Breather (Prior to SN 1200015409)	
57	H000371		Clamping Jaws HRL 2 KP 16 PP (Not Shown)	
58	H000372	9	Clamping Jaws HRL 2 KP 18 PP (Not Shown)	
60	H000430	8	Clamping Jaws HRL 2 KP 14 PP (Not Shown)	
61		Ref	Engine, Deutz Options (See ENGINE INSTALLATION for Breakdown):	
61	H000435	1	Engine, Deutz (Including 1200003867)	
61	H900004	1	Engine, Deutz (SN 1200004362 through 1200022107)	
77	H000706	1	Valve, Circulation Control	
77A	70002082	2	Cartridge Assembly	
79	H000709	1	Filter, Hydraulic Pressure	
79	70000024	1	Element	
80	H000711	1	Pump, Hydraulic	
	SL320-30.160.26.0	Ref	HYDRAULIC PRESSURE FILTER BRACKET	
101	S200560	1	Bracket, Hydraulic Oil Filter	
	SL260-25.161.00.0	Ref	ENGINE ASSEMBLY INSTALLATION	
201	S200561	1	Engine Tray	
237	762016	2	Bolt, M20x40	
238	4812500	2	M20 Washer	
	SL260-25.161.05.0	Ref	HYDRAULIC TANK ASSEMBLY (Prior to SN 1200015409)	C
324	H000058	1	Tank, Hydraulic	
325	H000013	1	Gauge, Hydraulic Oil Level	
326	H000241	2	Breather	
327	H003010	2	O-Ring	
330	4010508	12	Screw, M5x16	
331	760812	12	Bolt, M8x25	
332	4740322	12	Sealing Washer	
	1001092693	Ref	HYDRAULIC TANK ASSEMBLY (SN 1200015409 through 1200022107)	B
402	H000013	1	Gauge, Hydraulic Oil Level	
403	H000241	1	Breather	
	H900037	Ref	HYDRAULIC DIAGRAM COMPONENTS	1
501	H000711	1	Pump, Hydraulic	
502		Ref	Tank, Hydraulic Options:	
502	1001092693	1	Tank, Hydraulic (was p/n H000058) (Prior to SN 1200015409)	
502	1001092693	1	Tank, Hydraulic (SN 1200015409 through 1200022107)	
503		Ref	Engine, Deutz Options (See ENGINE INSTALLATION for Breakdown):	
503	H000435	1	Engine, Deutz (Including 1200003867)	
503	H900004	1	Engine, Deutz (SN 1200004362 through 1200022107)	
504	H000241	2	Breather	
505	H000706	1	Valve, Circulation Control	
509	H000013	1	Gauge, Hydraulic Oil Level	
524	H000709	1	Filter, Hydraulic Pressure	
524	70000024	1	Element	

SECTION 2 - GROUND CONTROLS

FIGURE 2-9. ENGINE INSTALLATION



SECTION 2 - GROUND CONTROLS

FIGURE 2-9. ENGINE INSTALLATION

ITEM	PART NUMBER	QTY	DESCRIPTION	REV
	SL260-25.161.00.0	Ref	ENGINE ASSEMBLY INSTALLATION	
4	S200573	1	Pipe, Air Filter Elbow	
10		Ref	Engine, Deutz Options (See Items 301-328 for Breakdown):	
10	H000435	1	Engine, Deutz (Including 1200003867)	
10	H900004	1	Engine, Deutz (SN 1200004362 through 1200022107)	
11	70000079	1	Air Filter Assembly	
11	H005274	1	Primary Filter Element (Outer)	
11	70000080	1	Safety Filter Element (Inner)	
12	H005289	1	Hose, Rubber Reducing	
13	70000632	1	Sleeve, Rubber 60x70x55 mm	
14	H005237	1	Sleeve, Rubber 70x80x65 mm	
15	H005239	1	Sleeve, Rubber 70x80x100 mm	
16	H005234	1	Hose, Air Intake	
17	H005238	3	Elbow, Air Intake	
18	70000586	1	Bracket, Muffler Outlet Upper	
19	70000585	1	Bracket, Muffler Inlet Upper	
20		Ref	Hose Clamp, 60mm	
21	70000262	8	Hose Clamp, 70x90x13	
22	H005241	1	Hose Clamp, C50-70x13	
23	761012	4	Bolt, M10x25	
24	4832000	4	M10 Lockwasher	
25	760814	10	Bolt, M8x30	
26	760816	2	Bolt, M8x40	
27	3290805	12	M8 Nut	
28	4811900	12	M8 Washer	
30	761010	2	Bolt, M10x20 (Not Shown)	
31	4832000	2	M10 Lockwasher (Not Shown)	
33	701227	4	Bolt, M12x100	
34	4812100	4	M12 Washer	
35	3291205	4	M12 Nut	
	SL260-25.161.03.0	Ref	EXHAUST INSTALLATION	
102	70000076	1	Muffler	
112	S200575	1	Tube, Exhaust Manifold to Flex Pipe	
118	S200574	1	Tube, Flex Pipe to Muffler	
119	S200558	1	Tailpipe	
120	S005171	1	Pipe, Exhaust Flex	
121	S005172	2	Clamp, Exhaust	
123	761010	2	Bolt, M10x20 (Not Shown)	
124	4812000	2	M10 Washer (Not Shown)	
125	4832000	2	M10 Lockwasher (Not Shown)	
	SL260-25.161.04.0	Ref	AIR FILTER ELBOW ASSEMBLY	
202	S200573	1	Pipe, Air Filter Elbow	
		Ref	ENGINE COMPONENTS	
	H000435	Ref	Engine Components (Prior to SN 1200003867)	
	H900004	Ref	Engine Components (SN 1200003867 through 1200022107)	D
301	H004083	1	Flange	
302	70000050	1	Clog Indicator	
303	H004084	1	Centa-Coupling	
304	7020023	1	Fuel Filter	
305	70000055	1	Solenoid, Throttle Control	

SECTION 2 - GROUND CONTROLS

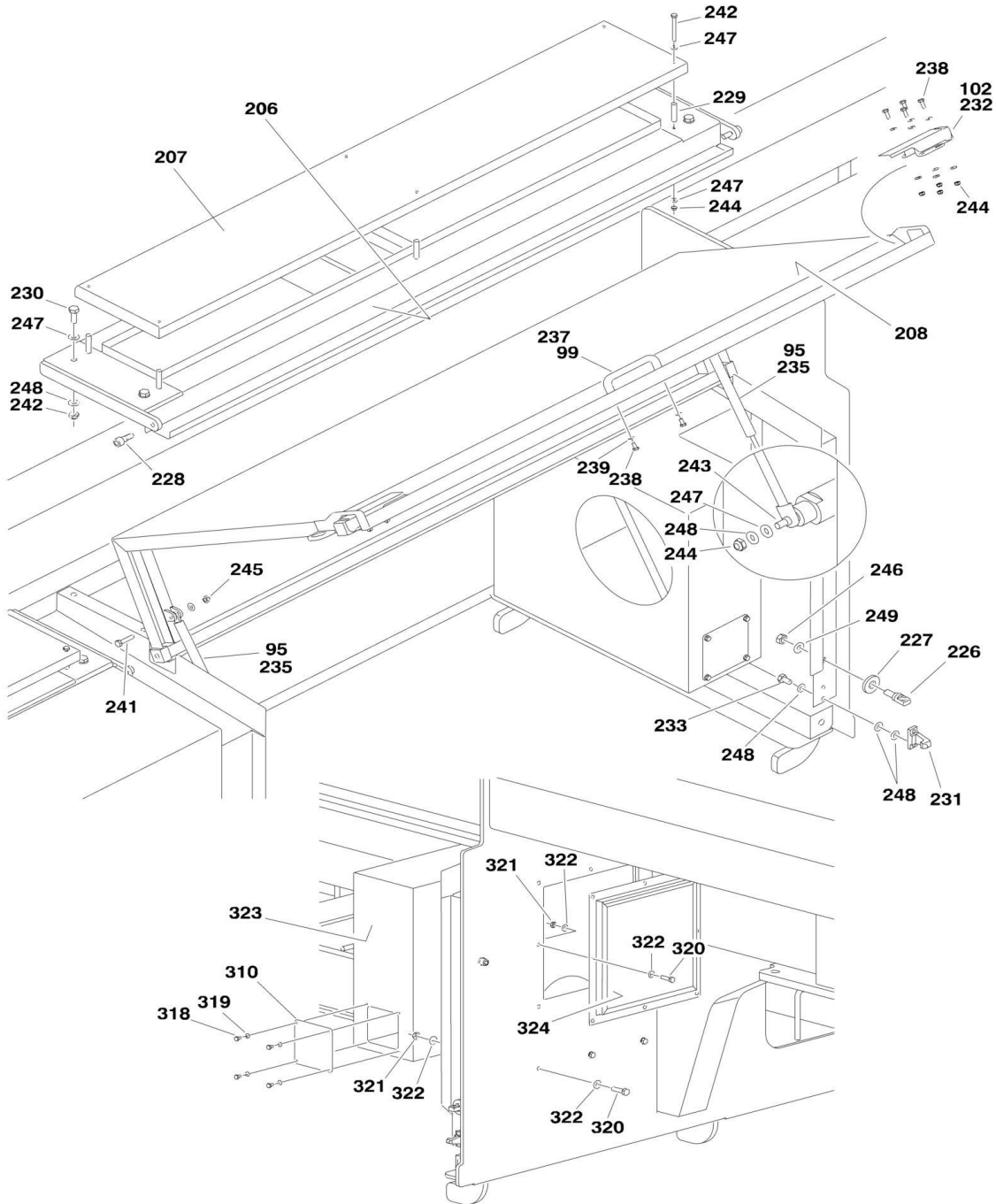
ITEM	PART NUMBER	QTY	DESCRIPTION	REV
305	70003217	1	Bracket, Mounting	
305	70001134	1	Seal, Throttle Control Solenoid	
305	70000056	1	Cable, Jumper	
306	70000059	1	Starter Motor	
306	7026608	1	Solenoid, Starter	
306	70000077	1	Cable, Interconnect	
307	7016331	1	Oil Filter	
308	70000916	1	Pump, Fuel Supply	
308	70000917	1	Seal, O-Ring	
308	70000918	1	Ring, Sealing	
308	70000919	1	Pump, Hand (Used with p/n 70000916)	
309	7020465	2	Filler Cap	
310	70000043	1	Dipstick	
310	70000044	1	O-Ring, Dipstick	
311	70001136	1	Mounting Foot, RF	
312	70001137	1	Mounting Foot, LF (Not Shown)	
313	70001138	2	Mounting Foot, Rear	
314	70001127	1	Cooler, Oil	
315	70000264	1	Flywheel	
315	7024579	1	Ring Gear	
315	7020459	1	Thermostat (Not Shown)	
316	70000075	1	V-Belt (Not Shown)	
317	70000062	1	Solenoid, Shutdown (Bolts to Front of Engine - Not Shown)	
317	70000061	1	Spring	
317	7027249	1	O-Ring, Shutdown Solenoid	
318	7027239	1	Solenoid, Start (Threads into Side of Front Cover - Not Shown)	
318	70000074	1	O-Ring, Start Solenoid	
319	7020168	1	Sensor, Temperature (Not Shown)	
319	7020480	1	Ring, Sealing	
320	7016330	1	Switch, Oil Pressure (Not Shown)	
321	7020449	4	Gasket, Intake Manifold (Manifold to Engine - Not Shown)	
322	7020471	4	Gasket, Exhaust Manifold (Not Shown)	
322	7020486	1	Gasket, Exhaust Manifold (Exhaust Pipe to Manifold - Not Shown)	
323	70000057	1	Generator (Not Shown)	
323	70000058	1	Regulator, Voltage	
324	7027240	1	Turbocharger (Not Shown)	
324	70001133	1	Reducer, Turbocharger	
324	70001135	1	Gasket, Turbocharger	
325	70000922	2	Plug, Glow (Engine p/n H900004 Only)	
326	7020492	2	Seal, Glow Plug (Engine p/n H900004 Only)	
327	70000924	1	Timer, Glow Plug (Engine p/n H900004 Only - Not Shown)	
327	70000926	1	Base, Timer (Engine p/n H900004 Only - Not Shown)	
328	70000925	1	Relay, Glow Plug (Engine p/n H900004 Only - Not Shown)	
328	70000926	1	Base, Relay (Engine p/n H900004 Only - Not Shown)	
329	70001125	1	Valve, Breather (Not Shown)	
329	70001126	1	O-Ring (Not Shown)	
330	70001850	1	Pump, Oil (was p/n 70000045)	
330	7020468	1	Ring, Sealing	
331		Ref	Pump, Injector Options: (Engine p/n H000435 Only - Not Shown)	
331	70000069	4	Series A Injector	
331	70000070	4	Series B Injector	

SECTION 2 - GROUND CONTROLS

ITEM	PART NUMBER	QTY	DESCRIPTION	REV
331	70000071	4	Series C Injector	
331	70000072	4	Series D Injector	
331		Ref	Pump, Injector Options: (Engine p/n H900004 Only - Not Shown)	
331	70001128	4	Series A Injector	
331	70001129	4	Series B Injector	
331	70001130	4	Series C Injector	
331	70001131	4	Series D Injector	
332	70000073	1	Solenoid, Boost Control (Threads into Side of Front Cover - Not Shown)	
332	70000074	1	O-Ring, Boost Control Solenoid	
332	70001132	1	Seal, Boost Control	
333	70000060	1	Harness, Engine (Not Shown)	
334	7027245	1	Filter, In-Line Fuel (Engine p/n H000435 Only - Not Shown)	

SECTION 2 - GROUND CONTROLS

FIGURE 2-10. HOODS INSTALLATION



SECTION 2 - GROUND CONTROLS

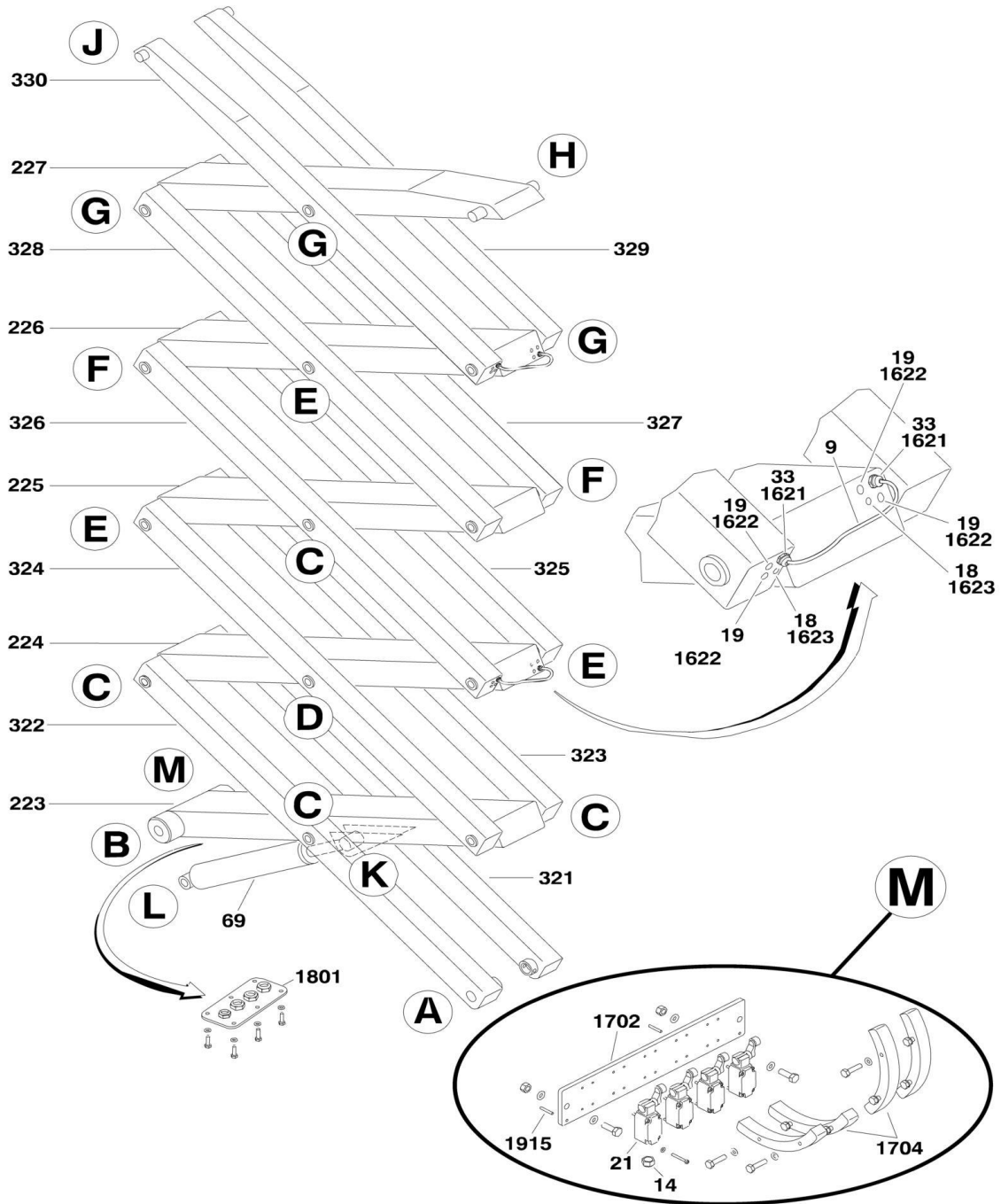
FIGURE 2-10. HOODS INSTALLATION

ITEM	PART NUMBER	QTY	DESCRIPTION	REV
	10660	Ref	FINAL ASSEMBLY LIST COMPONENTS	9
95	S000289	8	Spring, Gas	
99	S001676	4	Handle	
102	S005044	8	Latch, Hood	
	SL260-25.150.00.0	Ref	HOODS INSTALLATION	2
		Ref	Note: Replacement decals must be purchased separately - See DECAL SECTION.	
206	S000224	4	Filler, Cabinet Top	
207	S000225	4	Cover, Cabinet Top	
208	S000232	4	Hood	
226	S000219	8	Pin	
227	S900163	8	Gasket, Rubber	
228	S900164	8	Bolt, Special	
229	S000226	24	Spacer	
230	4032110	16	Bolt, M12x30	
231	S005045	8	Striker, Hood Latch	
232	S005044	8	Latch, Hood	
233	760807	16	Bolt, M8x14	
235	S000289	8	Spring, Gas	
237	S001676	4	Handle	
238	760606	40	Bolt, M6x12	
239	4831700	16	M6 Lockwasher	
240	760812	8	Bolt, M8x30 (Not Shown)	
241	760814	16	Bolt, M8x30	
242	700620	24	Bolt, M6x60	
243	761215	8	Bolt, M12x33	
244	3290605	32	M6 Nut	
245	3290805	14	M8 Nut	
246	3291205	8	M12 Nut	
247	4811700	40	M6 Washer	
248	4811900	35	M8 Washer	
249	4812100	8	M12 Washer	
	SL260-25.161.02.0	Ref	COOLING FAN SHROUD INSTALLATION	
310	S200568	1	Plate, Access Cover	
318	760606	4	Bolt, M6x12	
319	4811700	4	M6 Washer	
320	760814	10	Bolt, M8x30	
321	3290805	10	M8 Nut	
322	4811900	20	M8 Washer	
323	S200566	1	Shroud, Fan	
324	S200567	1	Safety Screen	

SECTION 3 - SCISSORS ARMS

SECTION 3 - SCISSORS ARMS

FIGURE 3-1. SCISSORS ARMS INSTALLATION



SECTION 3 - SCISSORS ARMS

FIGURE 3-1. SCISSORS ARMS INSTALLATION

ITEM	PART NUMBER	QTY	DESCRIPTION	REV
	0010660	Ref	FINAL ASSEMBLY LIST COMPONENTS	9
3	E000045	3	Strain Relief, PG21	
9	E000083	AR	Cable (25 Wires)	
14	E000269	4	Strain Relief, PG 13.5	
18	E000301	8	Strain Relief, PG16	
19	E000302	1	Strain Relief, PG21 PVC	
21	E000376	4	Switch, Limit	
33	E000714	21	Strain Relief, PG21	
69	H000620	1	Lift Cylinder (See CYLINDER SECTION for Breakdown)	
91	S000092	2	Bushing, 50x40mm	
96	S001498	2	Bushing, 130x100mm	
97	S001553	2	Bushing, 50x50mm	
	SL260-25.200.00.0	Ref	SCISSOR ARMS ASSEMBLY	
104	S001829	4	Pin, 130 mm Diameter	
105	S001831	1	Pin, 160 mm Diameter	
106	S004028	3	Pin, 110 mm Diameter	
107	S004042	2	Pin, 90 mm Diameter	
108	S004059	3	Pin, 80 mm Diameter	
109	S001492	8	Bearing, Ball Thrust	
110	S000034	2	Bearing, Ball Thrust	
111	S001491	6	Bearing, Ball Thrust	
112	S000124	4	Bearing, Ball Thrust	
113	S001803	6	Bearing, Ball Thrust	
114	S005021	8	Nut, 120mm	
115	S005023	2	Nut, 150mm	
116	S005020	6	Nut, 100mm	
117	S005019	4	Nut, 80mm	
118	S005018	6	Nut, 70mm	
119	S005009	8	Washer, 120x155mm Sealing	
120	S005011	2	Washer, 150x190mm Sealing	
121	S005008	6	Washer, 100x135mm Sealing	
122	S005007	4	Washer, 80x105mm Sealing	
123	S005006	6	Washer, 70x95mm Sealing	
124	S005001	8	Bushing, 130x80mm	
125	S005003	2	Bushing, 160x100mm	
126	S000093	6	Bushing, 110x80mm	
127	S001735	4	Bushing, 90x80mm	
128	S000120	6	Bushing, 80x60mm	
129	S001497	16	Bushing, 130x60mm	
130	S000131	4	Bushing, 160x60mm	
131	S001496	12	Bushing, 110x60mm	
132	S000118	8	Bushing, 90x60mm	
133	S000279	12	Bushing, 80x40mm	
134	S000141	26	Fitting, Grease	
	SL260-25.210.00.0	Ref	INNER SCISSOR ARM WELDMENTS	
223	S000036	1	Arm, #1 Inner	
224	S000060	1	Arm, #2 Inner	
225	S000132	1	Arm, #3 Inner	
226	S000161	1	Arm, #4 Inner	
227	S000164	1	Arm, #5 Inner	

SECTION 3 - SCISSORS ARMS

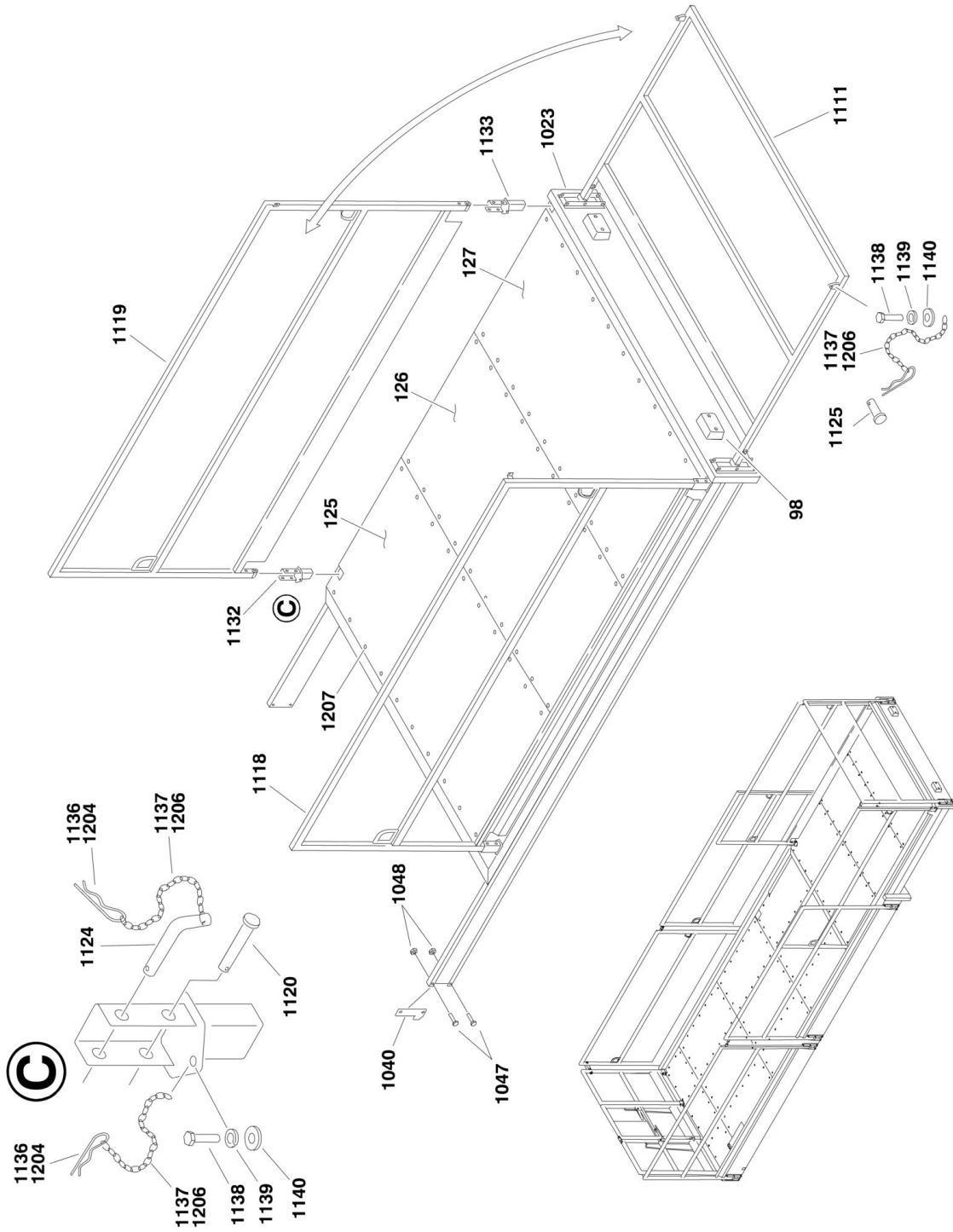
ITEM	PART NUMBER	QTY	DESCRIPTION	REV
	SL260-25.220.00.0	Ref	OUTER SCISSOR ARM WELDMENTS	
321	S000037	1	Arm, RH #1 Outer	
322	S000058	1	Arm, LH #1 Outer	
323	S000079	1	Arm, RH #2 Outer	
324	S000114	1	Arm, LH #2 Outer	
325	S000144	1	Arm, RH #3 Outer	
326	S000160	1	Arm, LH #3 Outer	
327	S000162	1	Arm, RH #4 Outer	
328	S000163	1	Arm, LH #4 Outer	
329	S000165	1	Arm, RH #5 Outer	
330	S000166	1	Arm, LH #5 Outer	
	SL260-25.230.00.0	Ref	SCISSOR ARM PINS	
401	S001829	4	Pin, 130 mm Diameter	
402	S001831	1	Pin, 160 mm Diameter	
403	S004028	3	Pin, 110 mm Diameter	
404	S004042	2	Pin, 90 mm Diameter	
405	S004059	3	Pin, 80 mm Diameter	
	SL260-25.240.00.0	Ref	SCISSOR ARMS ATTACHMENT INSTALLATION	
512	0701629	5	Bolt, M16x120	
513	3291605	5	M16 Nut	
514	0762014	3	Bolt, M20x30	
515	4812500	3	M20 Washer	
516	0761214	2	Bolt, M12x30	
517	4812100	2	M12 Washer	
	SL260-25.240.01.0	Ref	LIFT CYLINDER TO FRAME PIN ASSEMBLY	
603	S004068	1	Pin, 130 mm	
604	S000141	2	Fitting, Grease	
	SL260-25.240.02.0	Ref	INNER SCISSOR ARM TO FRAME PIN ASSEMBLY	
703	S004067	1	Pin, 130 mm	
704	S000141	2	Fitting, Grease	
	SL260-25.240.03.0	Ref	LIFT CYLINDER TO SCISSOR ARM PIN ASSEMBLY	
803	S004063	1	Pin, 130 mm	
804	S000141	1	Fitting, Grease	
	SL260-25.240.04.0	Ref	OUTER SCISSOR TO FRAME SLIDE PIN ASSEMBLY	
901	S000008	1	Pin, 100 mm	
903	S000141	2	Fitting, Grease	
	SL260-25.240.05.0	Ref	OUTER SCISSOR UPPER PIN ASSEMBLY	
1001	S000002	1	Pin, 80 mm	
1003	S001553	2	Bushing, 50x50mm	
1004	S000092	2	Bushing, 50x40mm	
	SL260-25.240.06.0	Ref	OUTER SCISSOR UPPER PIN TO PLATFORM PIN ASSEMBLIES	
1103	S007117	2	Pin, 50 mm	
	SL260-25.240.07.0	Ref	INNER SCISSOR TO PLATFORM SLIDE PIN ASSEMBLY	
1201	S000141	2	Fitting, Grease	
1203	S000003	1	Pin, 80 mm	
	SL260-25.240.08.0	Ref	PLATFORM SLIDE SUPPORT ASSEMBLY	
1304	S000201	2	Pad, Wear	
1305	S000199	2	Slide Support	
1306	4032109	10	Bolt, M12x25	
1307	S000141	4	Fitting, Grease	
1308	S000083	4	Bushing, 70x50mm	

SECTION 3 - SCISSORS ARMS

ITEM	PART NUMBER	QTY	DESCRIPTION	REV
	SL260-25.240.09.0	Ref	FRAME SLIDE BLOCK ASSEMBLY	
1406	S000169	4	Pad, Wear	
1408	S000168	2	Slide Block Weldment	
1409	S000107	2	Bushing, 100x95mm	
1410	S000141	4	Fitting, Grease	
1411	4032109	16	Bolt, M12x25	
1412	3291205	16	M12 Nut	
1413	4812100	16	M12 Washer	
	SL260-25.240.10.0	Ref	FRAME SLIDE BLOCK ADJUSTING RING ASSEMBLY	
1500	S000194	AR	Adjusting Ring Complete (includes Items 1 - 4)	
1501	S000196	2	Adjusting Ring, Outer	
1502	S000197	2	Adjusting Ring, Inner	
1503	0701018	8	Bolt, M10x50	
1504	3291005	8	M10 Nut	
	SL260-25.250.00.0	Ref	SCISSOR ARM END PLATE INSTALLATION	2
1601	70000601	1	End Plate, Inner Scissor Arm #1 Upper (w/ holes - Not Shown)	
1602	70000602	1	End Plate, Inner Scissor Arm #2 Lower (w/o holes - Not Shown)	
1603	70000603	1	End Plate, Inner Scissor Arm #2 Upper (w/ holes - Not Shown)	
1604	70000604	1	End Plate, Inner Scissor Arm #3 Lower (w/o holes - Not Shown)	
1605	70000605	1	End Plate, Inner Scissor Arm #3 Upper (w/ holes - Not Shown)	
1606	70000606	1	End Plate, Inner Scissor Arm #4 Lower (w/o holes - Not Shown)	
1607	70000607	1	End Plate, Inner Scissor Arm #4 Upper (w/o holes - Not Shown)	
1608	70000607	1	End Plate, Inner Scissor Arm #5 Lower (w/o holes - Not Shown)	
1609	70000608	3	End Plate, Outer Scissor Arm #1 Upper (w/o holes - Not Shown)	
1610	70000609	1	End Plate, Outer Scissor Arm #2 Lower (w/ holes - Not Shown)	
1611	70000610	2	End Plate, Outer Scissor Arm #2 Upper (w/ holes - Not Shown)	
1612	70000611	1	End Plate, Outer Scissor Arm #3 Lower (w/o holes - Not Shown)	
1613	70000613	3	End Plate, Outer Scissor Arm #3 Upper (w/o holes - Not Shown)	
1614	70000614	1	End Plate, Outer Scissor Arm #4 Lower (w/ holes - Not Shown)	
1615	70000615	1	End Plate, Outer Scissor Arm #4 Upper (w/ holes - Not Shown)	
1616	70000616	3	End Plate, Outer Scissor Arm #5 Lower (w/o holes - Not Shown)	
1620	E000045	3	Strain Relief, PG21 (Short)	
1621	E000714	21	Strain Relief, PG21 (Long)	
1622	E000302	1	Plug, PG21	
1623	E000301	8	Plug, PG16	
	SL260-25.250.00.0	Ref	SCISSOR ARM LIMIT SWITCH INSTALLATION	
1702	S000206	1	Mounting Panel, Limit Switch	
1704	S200205	4	Cam	
	S900223	Ref	SCISSORS ARM CABLE PLATE	B
1801	S900223	1	Plate, Scissors Cable	
	X26025L	Ref	MISCELLANEOUS PARTS LIST COMPONENTS	1
1902	S000141	2	Fitting, Grease	
1903	S000142	46	Cap, Grease Fitting (Not Shown)	
1915	3371708	2	Pin, Roll	

SECTION 4 - PLATFORM

SECTION 4 - PLATFORM



SECTION 4 - PLATFORM

FIGURE 4-1. PLATFORM AND ACCESSORIES INSTALLATION

ITEM	PART NUMBER	QTY	DESCRIPTION	REV
	0010660	Ref	FINAL ASSEMBLY LIST COMPONENTS	9
90	S000030	1	Gate Closer	
98	S001640	2	Bumper	
119	S900176	1	Plate, Main Deck Front Floor	
120	S900177	1	Plate, Main Deck Front Middle Floor	
121	S900178	1	Door, Connector Compartment	
122	S900179	1	Plate, Main Deck Middle Floor	
123	S900180	1	Plate, Main Deck Rear Middle Floor	
124	S900181	1	Plate, Main Deck Rear Floor	
125	S900182	1	Plate, Extension Deck Front Floor	
126	S900183	1	Plate, Extension Deck Middle Floor	
127	S900184	1	Plate, Extension Deck Rear Floor	
	SL260-25.410.00.1	Ref	PLATFORM INSTALLATION	BI.1
		Ref	Note: Replacement decals must be purchased separately - See DECALS SECTION	
242	70000589	2	Kickplate	
261	S200510	1	Platform	
266	S000203	1	Safety Channel, RH	
267	S000204	1	Safety Channel, LH	
268	S200536	1	Connector Box	
272	S200518	4	Roller, Deck Extension	
273	S900170	2	Roller, Support	
278	S000141	6	Fitting, Grease (Not Shown)	
280	0760610	8	Bolt, M6x20	
281	3290605	8	M6 Nut	
282	0761010	24	Bolt, M10x20	
283	4832000	24	M10 Lockwasher	
	SL260-25.410.68.0	Ref	PLATFORM TOOL BOX ASSEMBLY	
305	S200536	1	Connector Box	
	SL260-25.411.00.0	Ref	MAIN DECK SIDE RAILING INSTALLATION	
415	S200514	1	Rail, Side (LR)	
416	S200512	1	Rail, Side (RR)	
417	S200513	1	Rail, Side (LF)	
418	S200511	1	Rail, Side (RF)	
	SL320-30.411.01.3	Ref	PLATFORM RAILING HINGE INSTALLATION	B
505	S900172	8	Spacer	
508	S200539	8	Bracket, Hinge	
509	S900171	16	Anchor Plate	
512	S000145	8	3mm Spring Cotter	
513	S001443	8	Chain	
514	0760608	48	Bolt, M6x16	
515	4811700	48	M6 Washer	
516	4831700	48	M6 Lockwasher	
517	0701030	8	Bolt, M10x130	
518	4812000	16	M10 Washer	
519	3291001	16	M10 Nut	
520	0761012	32	Bolt, M10x25	
521	4832000	32	M10 Lockwasher	
522	S900173	8	Pin	
	SL260-25.411.02.0	Ref	PLATFORM RAILING SIDE LINK INSTALLATION	

SECTION 4 - PLATFORM

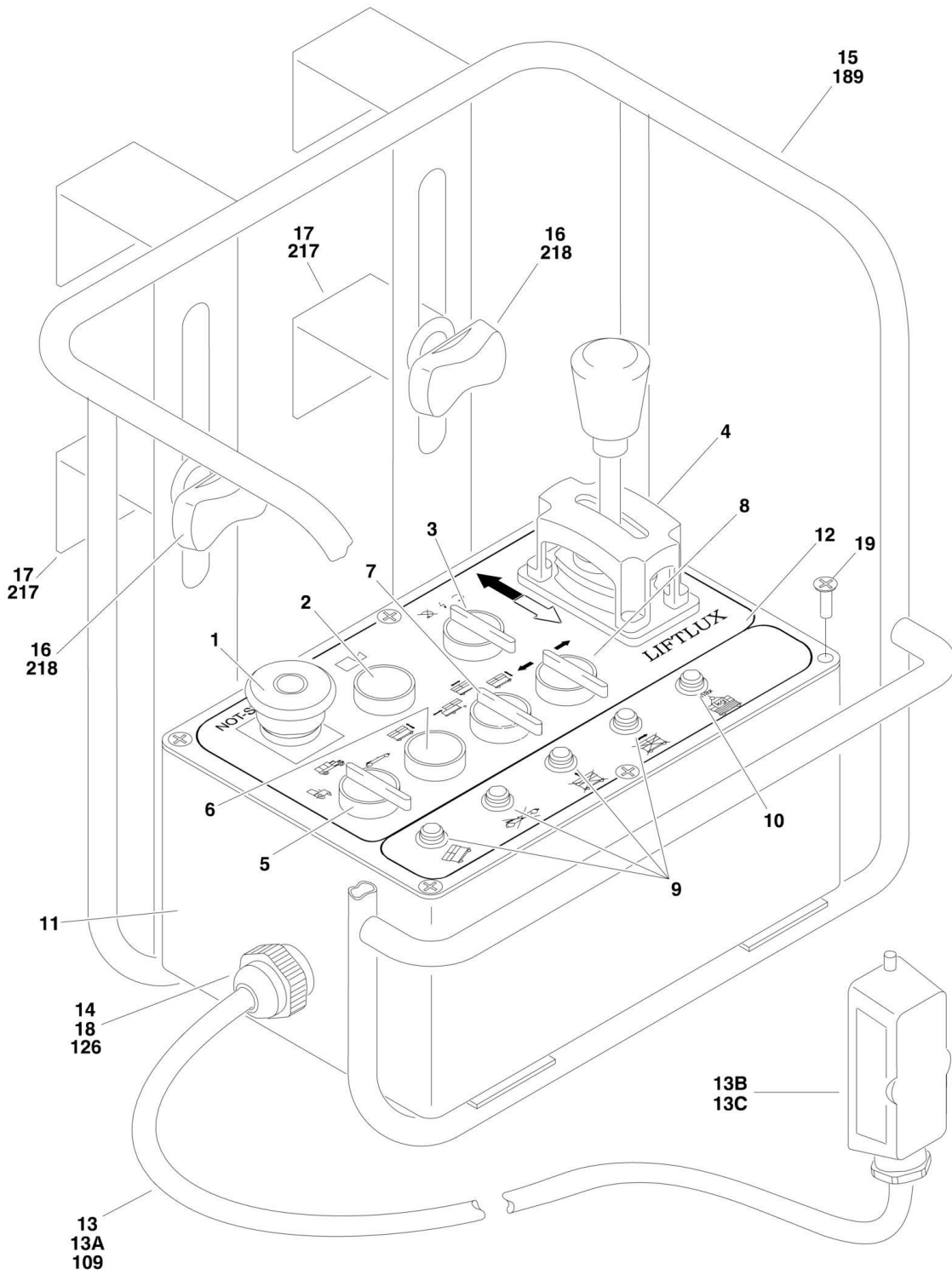
ITEM	PART NUMBER	QTY	DESCRIPTION	REV
602	S200542	2	Link, Side	
605	S200527	2	Pin	
606	S000145	2	3mm Spring Cotter	
607	S001443	4	Chain	
608	0760608	4	Bolt, M6x12	
609	4811700	4	M6 Washer	
610	4831700	4	M6 Lockwasher	
611	0761217	2	Bolt, M12x45	
612	3291205	2	M12 Nut	
	SL260-25.411.03.0	Ref	PLATFORM RAILING CORNER LINK INSTALLATION	
702	S200541	4	Bolt, Special	
703	S200540	2	Link	
705	S900117	2	Pin	
706	S000145	2	3mm Spring Cotter	
707	S001443	2	Chain	
708	0760608	4	Bolt, M6x12	
709	4811700	4	M6 Washer	
710	4831700	4	M6 Lockwasher	
711	0761217	2	Bolt, M12x45	
712	3291205	4	M12 Nut	
713	4812100	2	M12 Washer	
	SL260-25.411.04.0	Ref	MAIN DECK FRONT RAILING INSTALLATION	
819	S200031	1	Gate	
820	S200028	1	Rail, Right Front	
821	S200027	1	Rail, Left Front	
827	S200525	1	Plate, Door Latch Handle Cover	
829	S200522	1	Plate, Hinge	
835	S200537	4	Pin	
839	S200523	1	Pin, Lower Hinge	
840	S200524	1	Handle, Latch	
841	S200526	1	Striker, Lock	
843	4031709	4	Bolt, M6x25	
844	4031712	2	Bolt, M6x40	
845	0700816	1	Bolt, M8x40	
846	3290805	1	M8 Nut	
847	0761012	2	Bolt, M10x25	
848	4832000	2	M10 Lockwasher	
849	4751900	1	Washer	
850	4812100	8	M12 Washer	
851	3391210	5	Cotter Pin	
852	S000145	4	3mm Spring Cotter	
853	S001443	8	Chain	
854	4811700	8	M6 Washer	
855	4831700	8	M6 Lockwasher	
856	0760608	8	Bolt, M6x12	
858	0761215	4	Bolt, M12x35	
	SL260-25.411.05.0	Ref	PLATFORM ENTRY HANDLE INSTALLATION	
908	S200530	2	Pin	
909	S200534	2	Grab Handle	
913	S200516	1	Plate, Left Grab Handle Hinge	
914	S200515	1	Plate, Right Grab Handle Hinge	

SECTION 4 - PLATFORM

ITEM	PART NUMBER	QTY	DESCRIPTION	REV
915	3291605	6	M16 Nut	
916	4812300	6	M16 Washer	
917		Ref	Rubber Hose, 16x4x50mm	
	SL260-25.420.00.1	Ref	PLATFORM EXTENSION INSTALLATION	
1022	70000588	1	Bracket, Extension Cylinder (Not Shown)	
1023	S200528	1	Extension Deck Weldment	
1040	S200529	2	Plate, Stop	
1041	70000587	2	Pin, Extension Cylinder (Not Shown)	
1043	0761012	8	Bolt, M10x25 (Not Shown)	
1044	4812000	8	M10 Washer (Not Shown)	
1045	4832000	8	M10 Lockwasher (Not Shown)	
1047	0761215	4	Bolt, M12x35	
1048	3291205	4	M12 Nut	
	SL260-25.421.00.0	Ref	PLATFORM EXTENSION RAILING INSTALLATION	A
1111	S200533	1	Rail, Rear	
1118	S200532	1	Rail, Left	
1119	S200531	1	Rail, Right	
1120	S200538	4	Pin	
1124	S200537	4	Pin, Locking	
1125	S900168	2	Pin	
1132	S201121	2	Mounting Bracket, Short	
1133	S900230	2	Mounting Bracket, Long	
1136	S000145	6	3mm Spring Cotter	
1137	S001443	6	Chain	
1138	0760608	6	Bolt, M6x12	
1139	4811700	6	M6 Washer	
1140	4831700	6	M6 Lockwasher	
	X26025L	Ref	MISCELLANEOUS PARTS LIST COMPONENTS	1
1202	S000141	4	Fitting, Grease (Not Shown)	
1203	S000142	4	Cap, Grease Fitting (Not Shown)	
1204	S000145	23	3mm Spring Cotter	
1205	S000237	2	Hinge	
1206	S001443	24	Chain	
1207	S001445	50	Screw, Self-Tapping	
1208	S001677	24	Ring	

SECTION 4 - PLATFORM

FIGURE 4-2. CONSOLE PANEL PARTS



SECTION 4 - PLATFORM

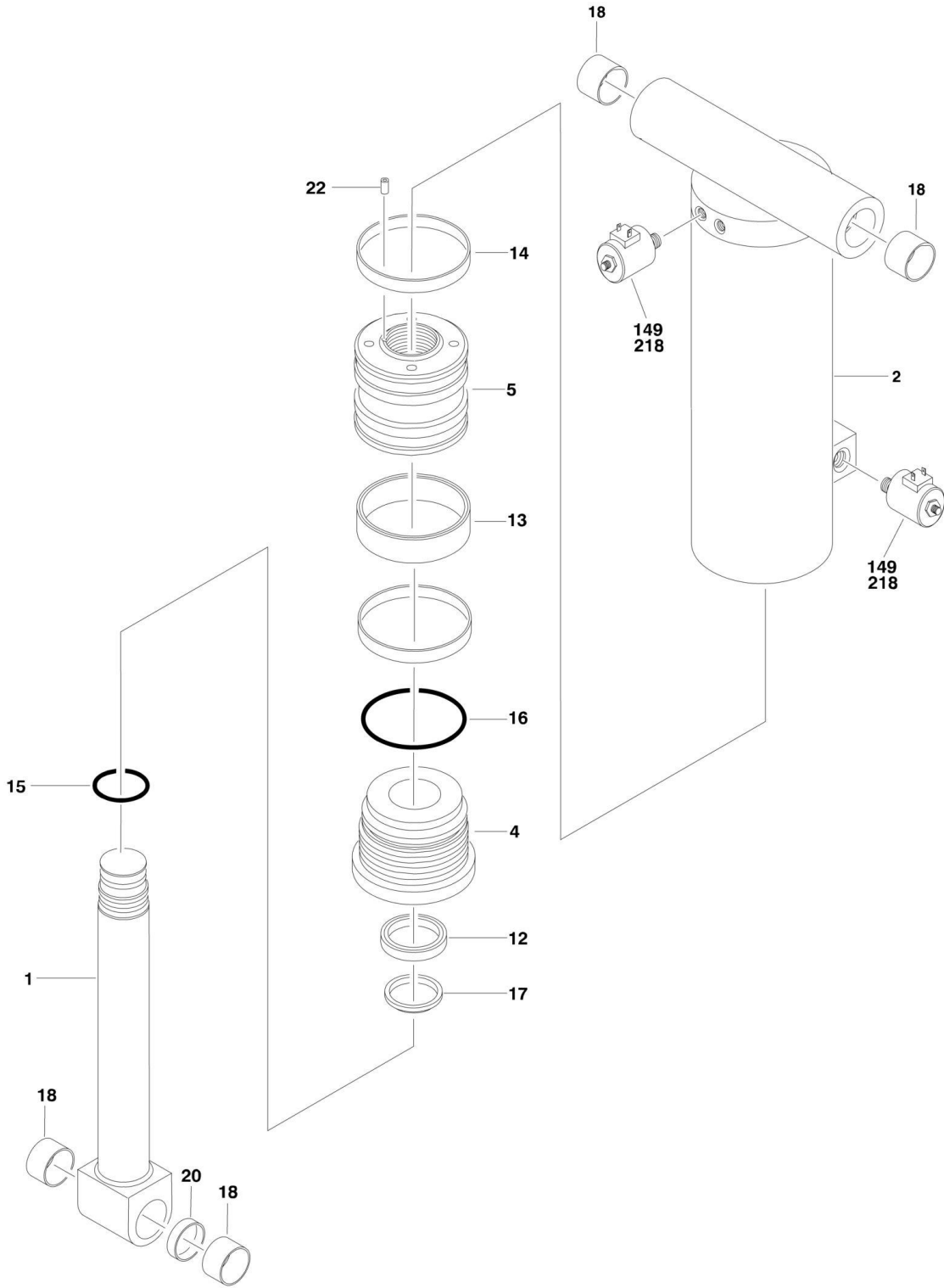
FIGURE 4-2. CONSOLE PANEL PARTS

ITEM	PART NUMBER	QTY	DESCRIPTION	REV
		Ref	CONSOLE PANEL PARTS	
1	E000377	1	Emergency Stop Switch (Momentary-Off-Type)	
2	E000412	1	Switch, Push Button	
3	E000511	1	Switch, Engine On/Off	
4	E000051	1	Joystick	
5	E000435		Switch, 3 Step (Slow/Fast/Diff.)	
6	E000412		Switch, Push Button	
7	E000435		Switch, 3 Step (Drive/Lift/Extend)	
8	E000436		Switch, Steering	
9	E000419	4	LED, Red Complete	
10	E000420	1	LED, Green Complete	
11	E001328	1	Control Box Housing (was p/n E001185)	
12	E001190		Lid, Control Box	
13	Not Available	1	Cable Assy, Control	
13A	E000083	AR	Cable (25 Wires)	
13B	E000108	1	Connector Housing, Male 24-Pin	
13C	E000482	1	Connector Insert, Male 24-Pin	
14	E000304	1	Plug PG 21	
15	S000009	1	Bracket, Console Panel	
16	2560141	2	Screw, Thumb (SN 01200004362 through 1200022107)	
17	0181847	2	Clamp, Console Bracket (SN 01200004362 through 1200022107)	
18	E000432	1	Nut, Brass	
19	1001109990	6	Screw M3 x 30mm	
	0010660	Ref	FINAL ASSEMBLY LIST COMPONENTS	9
109	E000083	AR	Cable (25 Wires)	
189	S000009	1	Bracket, Console Panel	
217	0181847	2	Clamp, Console Bracket (SN 01200004362 through 1200022107)	
218	2560141	2	Screw, Thumb (SN 01200004362 through 1200022107)	

SECTION 5 - CYLINDER

SECTION 5 - CYLINDER

FIGURE 5-1. AXLE LOCKOUT CYLINDER ASSEMBLY



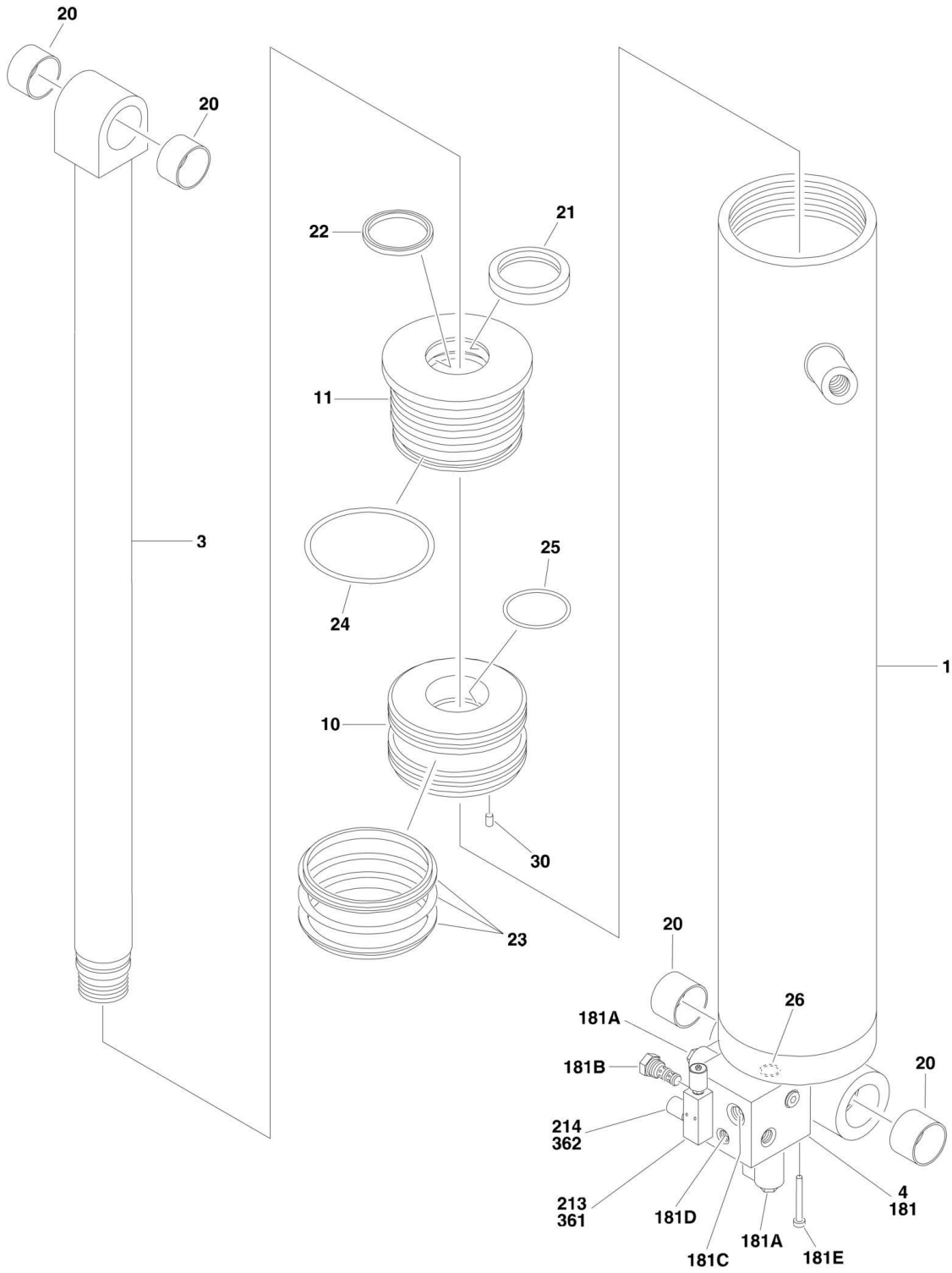
SECTION 5 - CYLINDER

FIGURE 5-1. AXLE LOCKOUT CYLINDER ASSEMBLY

ITEM	PART NUMBER	QTY	DESCRIPTION	REV
	H000623	Ref	AXLE LOCKOUT CYLINDER ASSEMBLY	B
1	S200497	1	Piston Rod	
2	S200498	1	Cylinder	
4	S200500	1	Piston	
5	S200499	1	Cylinder Head	
12	H003009	1	Rod Seal	
13	H003008	1	Piston Seal	
14	H003006	2	Wear Ring	
15	H003002	1	O-Ring	
16	H003001	1	O-Ring	
17	H003000	1	Wiper Ring	
18	S001493	4	Bushing	
20	70000202	1	Spacer	
22	Not Available	1	Setscrew	
23		Ref	Note: No seal kit available. Purchase Individual seals.	
	0010660	Ref	FINAL ASSEMBLY LIST COMPONENTS	9
149	H000280	4	Valve, Load Check	
	H900037	Ref	HYDRAULIC DIAGRAM	1
218	H000280	4	Valve, Load Check	
218	7012986	AR	Coil	
218	7024897	AR	Cartridge	
218	7012972	AR	Seal Kit	

SECTION 5 - CYLINDER

FIGURE 5-2. LIFT CYLINDER ASSEMBLY



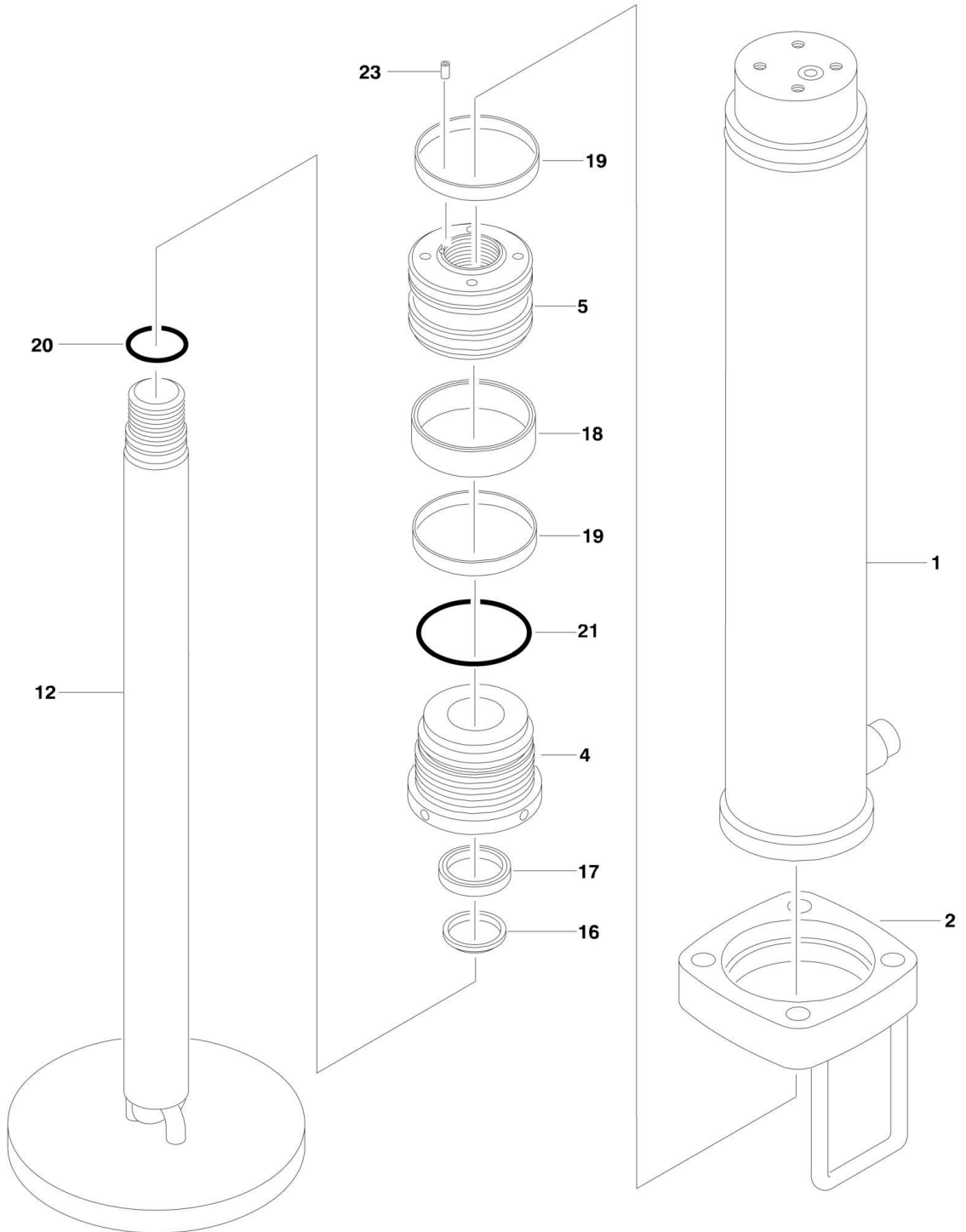
SECTION 5 - CYLINDER

FIGURE 5-2. LIFT CYLINDER ASSEMBLY

ITEM	PART NUMBER	QTY	DESCRIPTION	REV
	H000620	Ref	LIFT CYLINDER ASSEMBLY	
1	S000209	1	Cylinder Barrel Weldment	
3	S000212	1	Cylinder Rod	
4	H900043	1	Valve Block Assembly (See Items 181A to 181E for Breakdown)	
10	S000210	1	Piston	
11	S000211	1	Cylinder Head	
20	S001498	4	Bushing	
21	H003086	1	Wiper	
22	H003012	1	Rod Seal	
23	H000101	1	Piston Seal Set	
24	H003005	1	O-Ring	
25	H003004	1	O-Ring	
26	70000150	1	O-Ring	
30	S000213	1	Setscrew	
31		Ref	Note: No seal kit available. Purchase Individual seals.	
	0010660	Ref	FINAL ASSEMBLY LIST COMPONENTS	9
181	H900043	1	Valve Assembly	
181A	70000219	2	Cartridge, Solenoid Valve (Less Coil)	
181A	7023919	2	Seal Kit - 70000219 Cartridge	
181A	7017444	2	Coil	
181B	70000220	1	Check Valve Cartridge Less Coil	
181B	7021632	1	Seal Kit - 70000220 Cartridge	
181C	Not Available	1	Orifice	
181D	Not Available	1	Orifice	
181E	4031925	4	Capscrew M8 x 120mm	
213	H705721	1	Block, Hydraulic	
214	H705722	2	Sensor, Pressure	
215	H705723	2	Harness, Pressure Sensor (Not Shown)	
216	H705724	2	Cap, Pressure Sensor (Not Shown)	
	H900037	Ref	HYDRAULIC DIAGRAM	1
361	H705721	1	Block, Hydraulic	
362	H705722	2	Sensor, Pressure	

SECTION 5 - CYLINDER

FIGURE 5-3. LEVELING CYLINDER ASSEMBLY



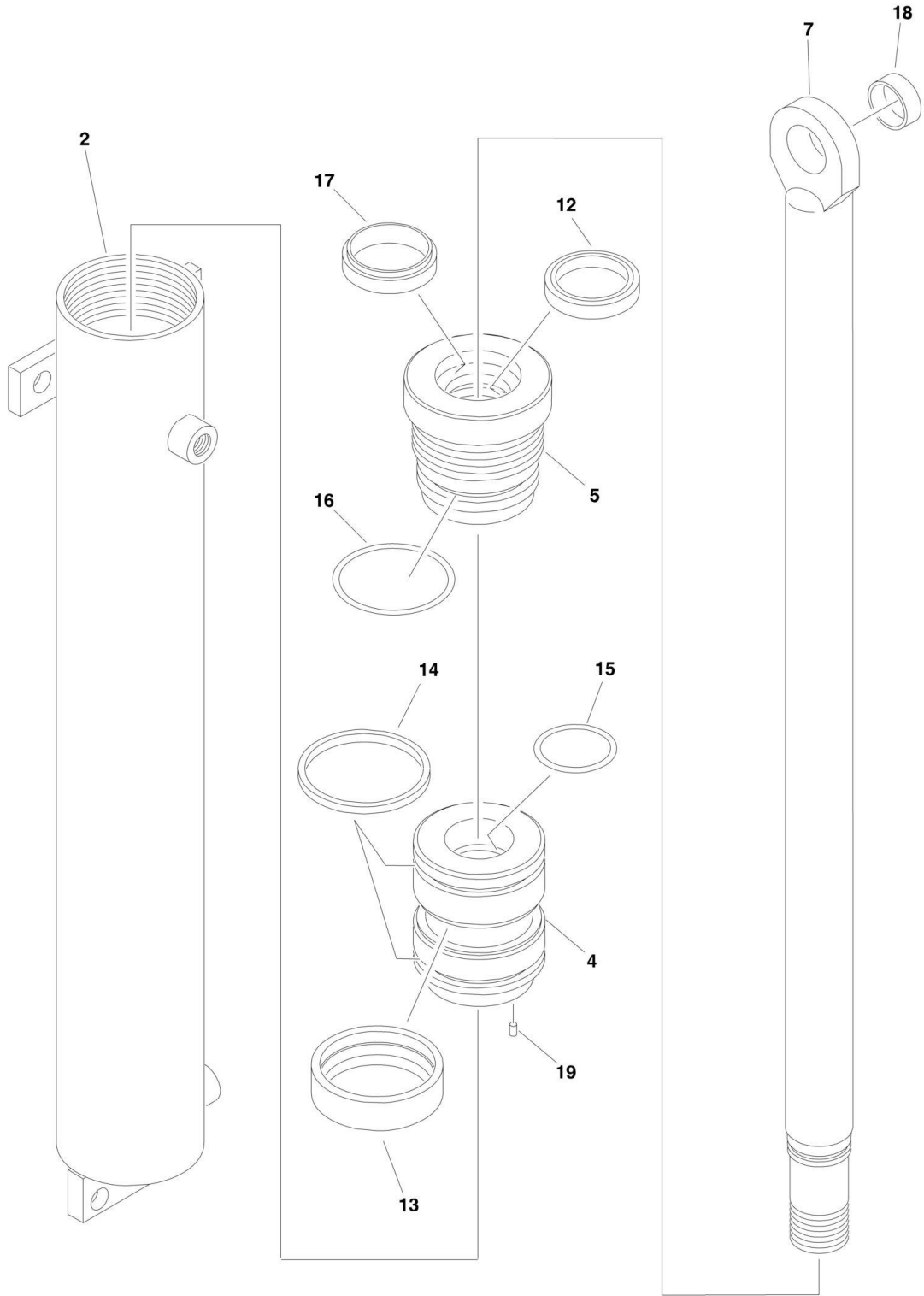
SECTION 5 - CYLINDER

FIGURE 5-3. LEVELING CYLINDER ASSEMBLY

ITEM	PART NUMBER	QTY	DESCRIPTION	REV
		Ref	LEVELING CYLINDER ASSEMBLY	
	H000621	Ref	Right Front, Left Rear	B
	H000622	Ref	Left Front, Right Rear	B
1		Ref	Cylinder Barrel Options:	
1	S200488	1	H000621 Cylinder	
1	70000201	1	H000622 Cylinder	
2	S200491	1	Jack Pad Stop Flange Weldment	
4	S200489	1	Cylinder Head	
5	S200490	1	Piston	
12	S200487	1	Cylinder Rod with Grd Pad	
16	H003013	1	Wiper	
17	H003011	1	Rod Seal	
18	H003008	1	Piston Seal	
19	H003006	2	Wear Ring	
20	H003003	1	O-Ring	
21	H003001	1	O-Ring	
23	Not Available	1	Setscrew	
24		Ref	Note: No seal kit available. Purchase Individual seals.	

SECTION 5 - CYLINDER

FIGURE 5-4. PLATFORM EXTENSION CYLINDER ASSEMBLY



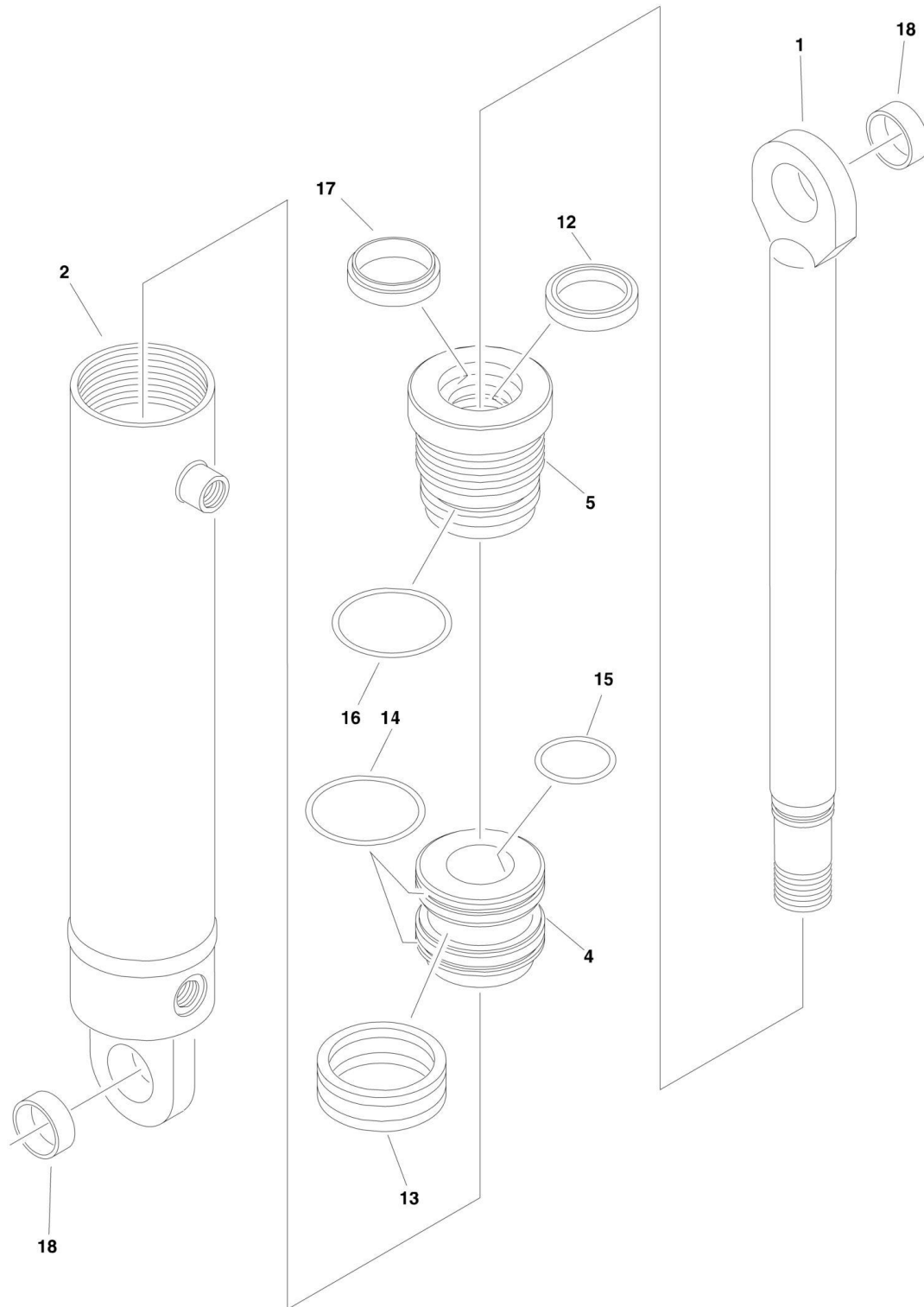
SECTION 5 - CYLINDER

FIGURE 5-4. PLATFORM EXTENSION CYLINDER ASSEMBLY

ITEM	PART NUMBER	QTY	DESCRIPTION	REV
	H000046	Ref	PLATFORM EXTENSION CYLINDER ASSEMBLY	
2	S200503	1	Cylinder, Barrel	
4	S200505	1	Piston	
5	S200506	1	Cylinder Head	
7	S200502	1	Piston Rod	
12	H003060	1	Rod Seal	
13	70000198	1	Piston Seal	
14	H003116	2	Wear Ring	
15	H003104	1	O-Ring	
16	H003080	1	O-Ring	
17	H003062	1	O-Ring	
18	S000265	1	Bushing	
19	Not Available	1	Setscrew	
20		Ref	Note: No seal kit available. Purchase Individual seals.	

SECTION 5 - CYLINDER

FIGURE 5-5. STEERING CYLINDER ASSEMBLY



SECTION 5 - CYLINDER

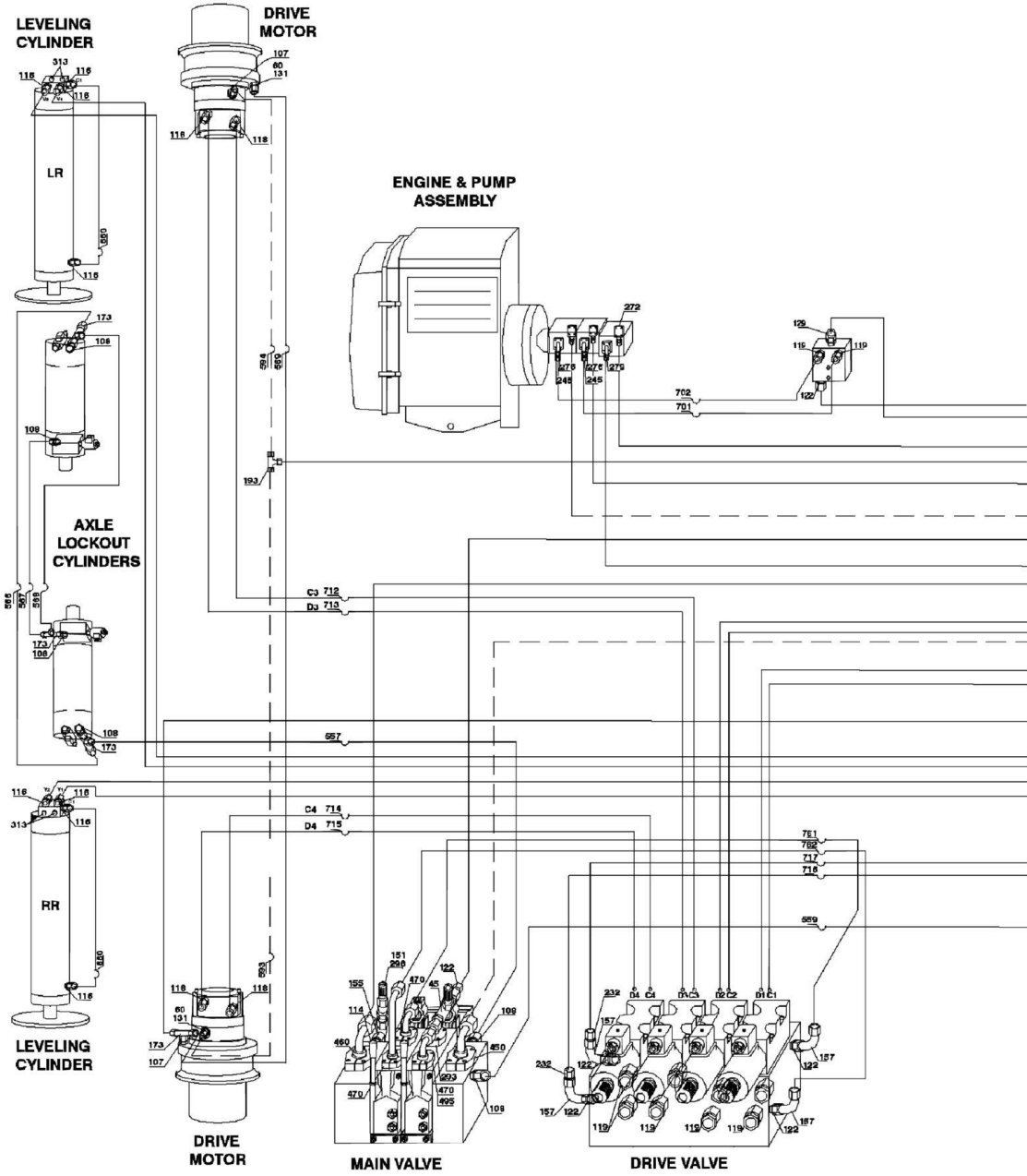
FIGURE 5-5. STEERING CYLINDER ASSEMBLY

ITEM	PART NUMBER	QTY	DESCRIPTION	REV
	H000624	Ref	STEERING CYLINDER ASSEMBLY	
1	S200482	1	Cylinder Rod	
2	S200483	1	Cylinder Barrel	
4	S200484	1	Piston	
5	S200485	1	Cylinder Head	
12	H003087	1	Rod Seal	
13	H003093	1	Piston Seal	
14	H003116	2	Wear Ring	
15	H003104	1	O-Ring	
16	H005271	1	O-Ring	
17	H003081	1	Wiper	
18	S001553	2	Bushing	
19		Ref	Note: No seal kit available. Purchase Individual seals.	

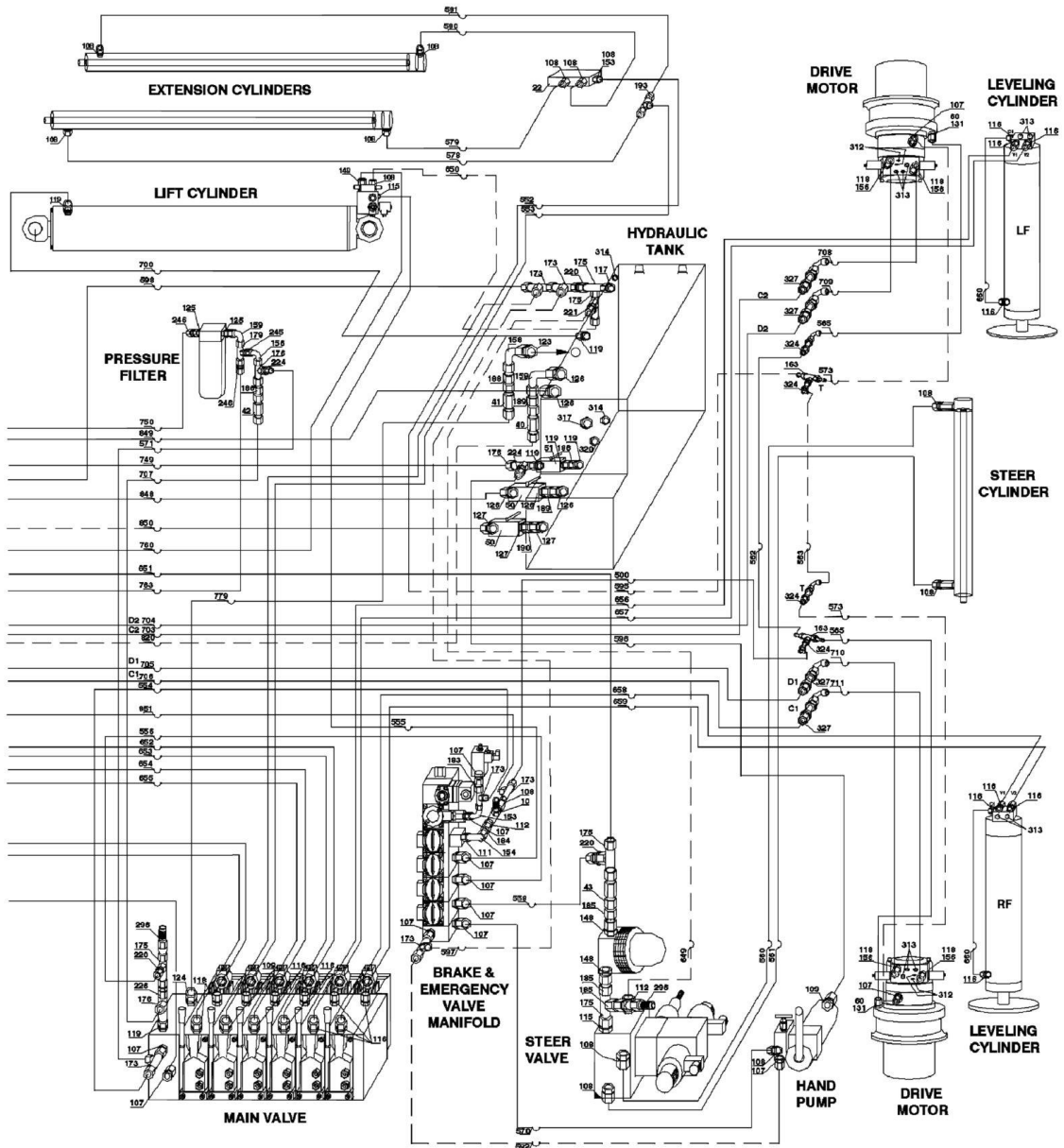
SECTION 6 - HYDRAULIC

SECTION 6 - HYDRAULIC

FIGURE 6-1. HYDRAULIC DIAGRAM



SECTION 6 - HYDRAULIC



SECTION 6 - HYDRAULIC

FIGURE 6-1. HYDRAULIC DIAGRAM

ITEM	PART NUMBER	QTY	DESCRIPTION	REV
	H900037	Ref	HYDRAULIC DIAGRAM	2
10	H000018	1	Throttle Valve, Lowering Speed Adjustment	
22	H000072	1	2/2 Directional Control Valve	
40	H000273	1	Check Valve RHD 35-PL	
41	H000305	1	Check Valve RHD 28-PL	
42	H000339	1	Check Valve RHD 18-PL	
43	H000115	1	Check Valve RHD 15-PL	
45	H000705	1	Check Valve, Retract Resistor	
50	H000278	2	Low-Pressure Ball Valve	
51	H000335	1	Low-Pressure Ball Valve	
60	H000151	4	Special Adapter Fitting (Prior to SN 1200011647)	
	H001003	Ref	HYDRAULIC FITTING KIT	4
107	2142708	AR	BSPP Male Connector 10-1/4-11-19-L	
108	2142709	21	BSPP Male Connector 10-3/8-12.5-22-L	
109	2142710	3	BSPP Male Connector 10-1/2-13-27-L	
111	2142711	1	BSPP Male Connector 12-1/4-12-19-L	
112	2142712	1	BSPP Male Connector 12-3/8-12.5-22-L	
114	2142758	1	BSPP Male Connector 15-1/4-13-19 (Prior to SN 1200011647)	
115	2142714	3	BSPP Male Connector 15-3/8-13.5-24-L	
116	2142715	24	BSPP Male Connector 15-1/2-14-27-L	
117	2142757	1	BSPP Male Connector 15-3/4-15-32-L	
118	2142716	10	BSPP Male Connector 18-1/2-14.5-27-L	
119	2142717	16	BSPP Male Connector 18-3/4-14.5-32-L	
122	2142748	6	BSPP Male Connector 22-1-17.5-41-L	
123	2142719	1	BSPP Male Connector 28-1-17.5-41	
124	2142744	1	BSPP Male Connector 28-3/4-17.5-41-L	
125	2142720	2	BSPP Male Connector 30-1 1/4-17.5-50-L	
126	2142742	5	BSPP Male Connector 35-1 1/2-19.5-55 L	
127	2142721	3	BSPP Male Connector 42-1 1/2-19-55 L	
129	2142741	1	BSPP Male Connector 35-1-17.5-46 L	
131	H000151	4	Special Adapter Fitting (SN 1200011647 through 1200022107)	
148	2142751	2	BSPP Male Connector VR NW 13HL1/4 (1/4/M22x1.5)	
149	2142718	1	BSPP Male Connector 22-3/4-16.5-32 L	
151	2221222	1	Fitting, Test Port	
153	2143403	AR	Swivel Nut Elbow 10-16X1.5-15-29-14-L	
154	2143404	1	Swivel Nut Elbow 12-18X1.5-17-29.5-17-L	
155	2143405	1	Swivel Nut Elbow 15-22X1.5-21-32.5-19-L (Prior to SN 1200011647)	
156	2143406	AR	Swivel Nut Elbow 18-26X1.5-23.5-35.5-24-L	
157	2143407	4	Swivel Nut Elbow 22-30X2-27.5-38.5-27-L	
158	2143408	2	Swivel Nut Elbow 28-26X1.5-23.5-35.5-24-L	
159	2143409	2	Swivel Nut Elbow 35-45X2-34.5-51-41-L	
163	2142103	2	Swivel Nut Branch Tee 10-10-16X1.5-15-29-14-L	
173	2142203	AR	Swivel Nut Run Tee 10-10-16X1.5-15-29-14-L	
175	2142205	5	Swivel Nut Run Tee 15-15-22X1.5-21-32.5-19-L	
176	2142206	3	Swivel Nut Run Tee 18-18-26X1.5-23.5-35.5-24-L	
177	2142207	1	Swivel Nut Run Tee 22-22-30X2-27.5-38.5-27-L	
179	2142209	1	Swivel Nut Run Tee 35-35-45X2-34.5-51-41-L	
183	2143603	1	Swivel Union-Flareless 10-16X1.5-16X1.5-33 L	
184	2143604	1	Swivel Union-Flareless 12-18X1.5-18X1.5-33 L	

SECTION 6 - HYDRAULIC

ITEM	PART NUMBER	QTY	DESCRIPTION	REV
185	2143605	4	Swivel Union-Flareless 15-22X1.5-22X1.5-38 L	
186	2143606	2	Swivel Union-Flareless 18-26X1.5-26X1.5-36 L	
188	2143608	1	Swivel Union-Flareless 28-36X2-36X2-46 L	
189	2143609	2	Swivel Union-Flareless 35-45X2-45X2-48 L	
190	2143610	1	Swivel Union-Flareless 42-52X2-52X2-52 L	
193	2141908	2	Union Tee 10-10-10-15-14-14-L	
220	2143510	3	Swivel Tube End Reducer 15-10-22X1.5-29.5 L	
221	2143511	1	Swivel Tube End Reducer 15-12-22X1.5-29.5 L	
224	2143514	2	Swivel Tube End Reducer 18-10-26X1.5-29 L	
226	2143516	1	Swivel Tube End Reducer 18-15-26X1.5-30 L	
232	2143522	2	Swivel Tube End Reducer 22-18-30X2-33.5 L	
245	2143532	3	Swivel Tube End Reducer 35-18-45X2-38.5 L	
246	2143533	2	Swivel Tube End Reducer 35-22-45X2-40.5 L	
271		Ref	Hydraulic Flange Connection Options:	
271	2143703	1	Hydraulic Flange Connection (Prior to SN 1200011647)	
271	2143704	1	Hydraulic Flange Connection (SN 1200011647 through 1200022107)	
272	2143705	1	Hydraulic Flange Connection BFW 18-PL/LK 40	
276	2143709	2	Hydraulic Flange Connection BFW 35-PL/LK 55	
293		Ref	Blind Plate Options (Includes (1)o-ring & (4)screws):	
293	2144311	1	Blind Plate (Prior to SN 1200011648)	
293	1001094503	1	Blind Plate (SN 1200011648 through 1200022107)	
296	2144105	AR	Diagnostic Tip/EO Swivel M22x1.5 VKA 3/15LA3C	
312	2143803	4	Plug, 1/4in	
313	2143807	12	Plug, 1/2in	
314	2143803	2	Plug, 3/4in	
317	2143812	1	Blanking Plug For Ports	
320	2221214	1	Oil Drain Plug M. Magnet R 3/4in With Copper Sealing Ring.	
324	2141503	4	Bulkhead Union 10-10-16X1.5-10-28-22-22 L	
327	2141506	4	Bulkhead Union 18-18-26X1.5-13.5-32.5-32-36 L	
450	2171816	1	Flange Kit (3000psi) (Includes 1-O-Ring, 4 -Screws & 4 Washers)	
460	2171716	1	Flange Kit (6000psi) (Includes 1-O-Ring, 4 -Screws & 4 Washers)	
470	2171712	3	Flange Kit (6000psi) (Includes 1-O-Ring, 4 -Screws & 4 Washers)	
495	2221237	1	Pipe SFCE-6002/90/25-S & EGE 25 1in-ed	
	H001002		HYDRAULIC HOSE KIT	4
500	2754563	1	Hydraulic Hose - 2 SN 06 DKOL-90 DKOL -2500	
552	2754559	1	Hydraulic Hose - 2 SN 08 DKOL DKOL - 45000	
553	2754559	1	Hydraulic Hose - 2 SN 08 DKOL DKOL - 45000	
554	2754561	1	Hydraulic Hose - 2 SN 08 DKOL-90 DKOL - 1200	
555	2754574	1	Hydraulic Hose - 2 SN 08 DKOL-90 DKOL-90 (180grd) -4300	
556	2754560	1	Hydraulic Hose - 2 SN 08 DKOL-90 DKOL - 1000	
557	2754568	1	Hydraulic Hose - 2 SN 08 DKOL-90 DKOL - 3900	
558	2754556	1	Hydraulic Hose - 2 SN 08 DKOL DKOL - 1400	
559	2754555	1	Hydraulic Hose - 2 SN 08 DKOL-DKOL - 1000	
560	2754575	1	Hydraulic Hose - 2 SN 08 DKOL-90 DKOL-90 (180grd) -5300	
561	2754575	1	Hydraulic Hose - 2 SN 08 DKOL-90 DKOL-90 (180grd) -5300	
562	2754566	1	Hydraulic Hose - 2 SN 08 DKOL-90 DKOL - 3000	
563	2754566	1	Hydraulic Hose - 2 SN 08 DKOL-90 DKOL - 3000	
565	2754494	2	Hydraulic Hose - 2 SN 08 DKOL DKOL - 2700	
566	2754371	1	Hydraulic Hose - 2 SN 08 DKOL-90 DKOL - 2000	
567	2754572	1	Hydraulic Hose - 2 SN 08 DKOL-90 DKOL-90 (180grd) -1400	
568	2754557	1	Hydraulic Hose - 2 SN 08 DKOL DKOL - 1600	

SECTION 6 - HYDRAULIC

ITEM	PART NUMBER	QTY	DESCRIPTION	REV
569	2754558	1	Hydraulic Hose - 2 SN 08 DKOL DKOL - 2200	
570	2754562	1	Hydraulic Hose - 2 SN 08 DKOL-90 DKOL - 1400	
571	2754565	1	Hydraulic Hose - 2 SN 08 DKOL-90 DKOL - 2830	
573	2754564	2	Hydraulic Hose - 2 SN 08 DKOL DKOL-90 -2600	
578	2754570	1	Hydraulic Hose - 2 SN 08 DKOL-90 DKOL - 6500	
579	2754567	1	Hydraulic Hose - 2 SN 08 DKOL-90 DKOL - 3400	
580	2754569	1	Hydraulic Hose - 2 SN 08 DKOL-90 DKOL - 4200	
581	2754571	1	Hydraulic Hose - 2 SN 08 DKOL-90 DKOL - 7300	
592	2754549	1	Hydraulic Hose - 1 SN 08 DKOL DKOL -1400	
593	2754550	1	Hydraulic Hose - 1 SN 08 DKOL DKOL -1900	
594	2754550	1	Hydraulic Hose - 1 SN 08 DKOL DKOL -1900	
595	2754552	1	Hydraulic Hose - 1 SN 08 DKOL-90 DKOL -2700	
596	2754554	1	Hydraulic Hose - 1 SN 10 DKOL-90 DKOL 90 (180grd) -2800	
597	2754551	1	Hydraulic Hose - 1 SN 08 DKOL DKOL -2500	
598	2754553	1	Hydraulic Hose - 1 SN 08 DKOL-90 DKOL -3500	
649	2754576	1	Hydraulic Hose - 2 SN 10 DKOL -90 DKOL -3000	
650	2754581	1	Hydraulic Hose - 2 SN 12 DKOL-90 DKOL 90 (180grd) -5000	
651	2754580	1	Hydraulic Hose - 2 SN 12 DKOL-90 DKOL -3000	
652	2754579	1	Hydraulic Hose - 2 SN 12 DKOL DKOL -7700	
653	2754579	1	Hydraulic Hose - 2 SN 12 DKOL DKOL -7700	
654	2754578	1	Hydraulic Hose - 2 SN 12 DKOL DKOL -7000	
655	2754578	1	Hydraulic Hose - 2 SN 12 DKOL DKOL -7000	
656	2754578	1	Hydraulic Hose - 2 SN 12 DKOL DKOL -7000	
657	2754578	1	Hydraulic Hose - 2 SN 12 DKOL DKOL -7000	
658	2754577	1	Hydraulic Hose - 2 SN 12 DKOL DKOL -6800	
659	2754577	1	Hydraulic Hose - 2 SN 12 DKOL DKOL -6800	
660	2754582	4	Hydraulic Hose - 2 SN 12 DKOL-90 DKOL-90-H50 (180grd) -1250	
700	2754590	1	Hydraulic Hose - 2 SN 16 DKOL-90 DKOL-45 (180grd) -5000	
701	2754591	1	Hydraulic Hose - 2 SN 16 DKOL-90 DKOL-90 (180grd) -900	
702	2754591	1	Hydraulic Hose - 2 SN 16 DKOL-90 DKOL-90 (180grd) -900	
703	2754589	1	Hydraulic Hose - 2 SN 16 DKOL DKOL-90 -3800	
704	2754589	1	Hydraulic Hose - 2 SN 16 DKOL DKOL-90 -3800	
705	2754588	1	Hydraulic Hose - 2 SN 16 DKOL DKOL-90 -2700	
706	2754588	1	Hydraulic Hose - 2 SN 16 DKOL DKOL-90 -2700	
707	2754587	1	Hydraulic Hose - 2 SN 16 DKOL-90 DKOL -2600	
708	2754583	1	Hydraulic Hose - 2 SN 16 DKOL DKOL -2200	
709	2754583	1	Hydraulic Hose - 2 SN 16 DKOL DKOL -2200	
710	2754583	1	Hydraulic Hose - 2 SN 16 DKOL DKOL -2200	
711	2754583	1	Hydraulic Hose - 2 SN 16 DKOL DKOL -2200	
712	2754585	1	Hydraulic Hose - 2 SN 16 DKOL DKOL -4700	
713	2754585	1	Hydraulic Hose - 2 SN 16 DKOL DKOL -4700	
714	2754584	1	Hydraulic Hose - 2 SN 16 DKOL DKOL -4000	
715	2754584	1	Hydraulic Hose - 2 SN 16 DKOL DKOL -4000	
716	2754586	1	Hydraulic Hose - 2 SN 16 DKOL-90 DKOL -1800	
717	2754586	1	Hydraulic Hose - 2 SN 16 DKOL-90 DKOL -1800	
749	2754597	1	Hydraulic Hose - 1 SN 16 DKOL- DKOL -800	
750	2754593	1	Hydraulic Hose - 2 SN 20 DKOL-90 DKOL-90 (180grd) -1250	
760	2754592	1	Hydraulic Hose - 2 SN 20 DKOL DKOL-90 -3600	
761	2754594	1	Hydraulic Hose - 2 SN 20 - 12 FSD 41 (6000PSI) -90 DKOL-90 (180grd) -2500	
762	2754595	1	Hydraulic Hose - 2 SN 20 - 12 FSD 41 (6000PSI)90H120 DKOL - 2500	

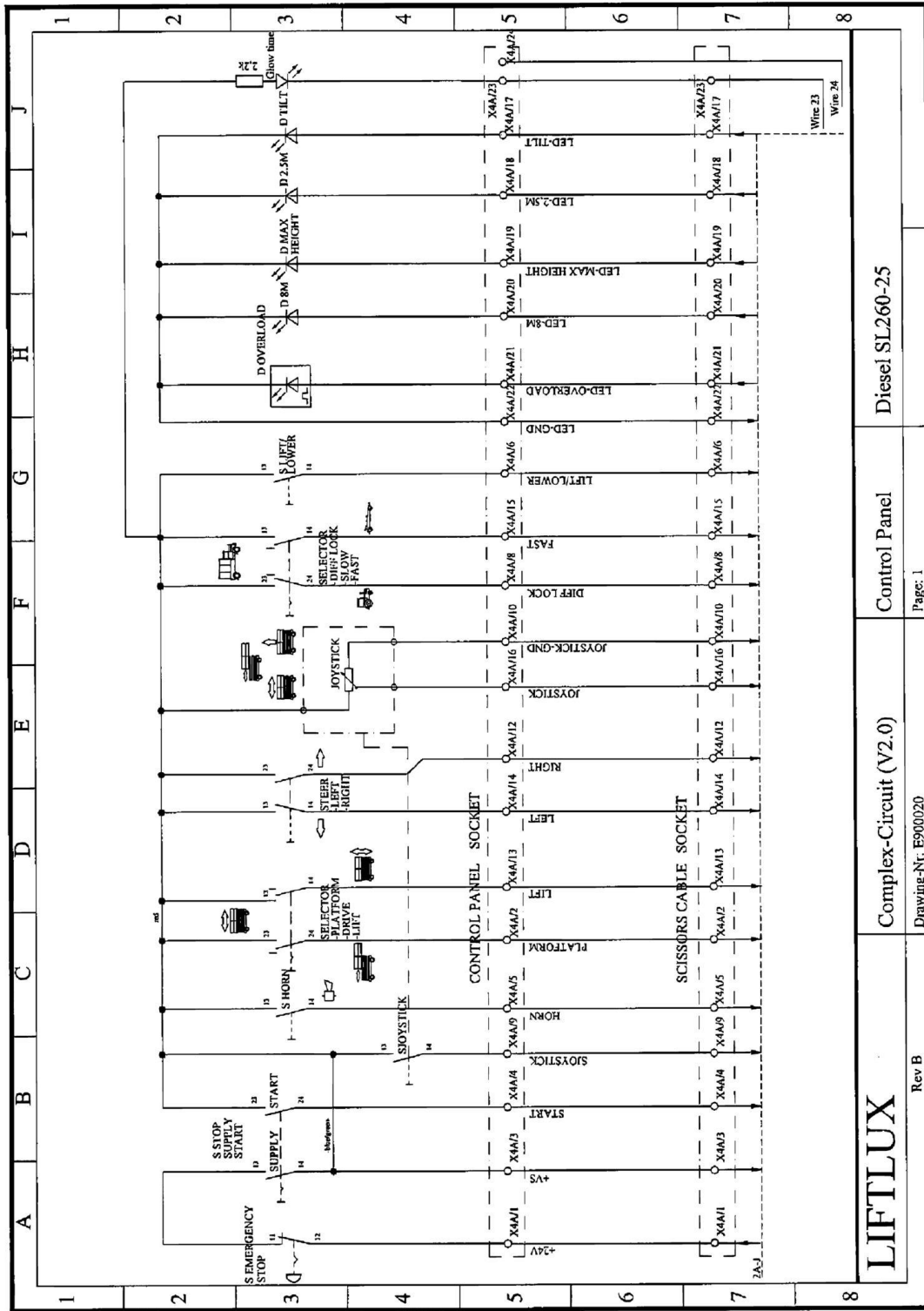
SECTION 6 - HYDRAULIC

ITEM	PART NUMBER	QTY	DESCRIPTION	REV
763	2754596	1	Hydraulic Hose - 2 SN 20 - 16 FSD 48 (6000PSI)-90 DKOL -2900	
779	2754598	1	Hydraulic Hose - 1 SN 25 DKOL DKOL -2700	
820	2754600	1	Hydraulic Hose - 1 SN 32 16 FS D44 (3000PSI) -90 DKOL -3000	
848	2754601	1	Hydraulic Hose - 304-32X1000 DKOL/FLK 55 DN 32 SL 50/90	
849	2754599	1	Hydraulic Hose - 1 SN 32 DKOL-90 - DKOL-45 (180GRD) -1350	
850	2754602	1	Hydraulic Hose - 304-38X1300 DKOL/FLK 55 DN 38 SL 120/90	
851		Ref	Hydraulic Hose Options:	
851	2754573	1	Hydraulic Hose (Prior to SN 1200011647)	
851	2754473	1	Hydraulic Hose (Including 1200011647)	
851	2754475	1	Hydraulic Hose (SN 1200011648 through 1200022107)	

SECTION 7 - ELECTRICAL

SECTION 7 - ELECTRICAL

FIGURE 7-1. ELECTRICAL PLANS - DIESEL CONTROL



LIFTLUX

Complex-Circuit (V2.0)

Control Panel

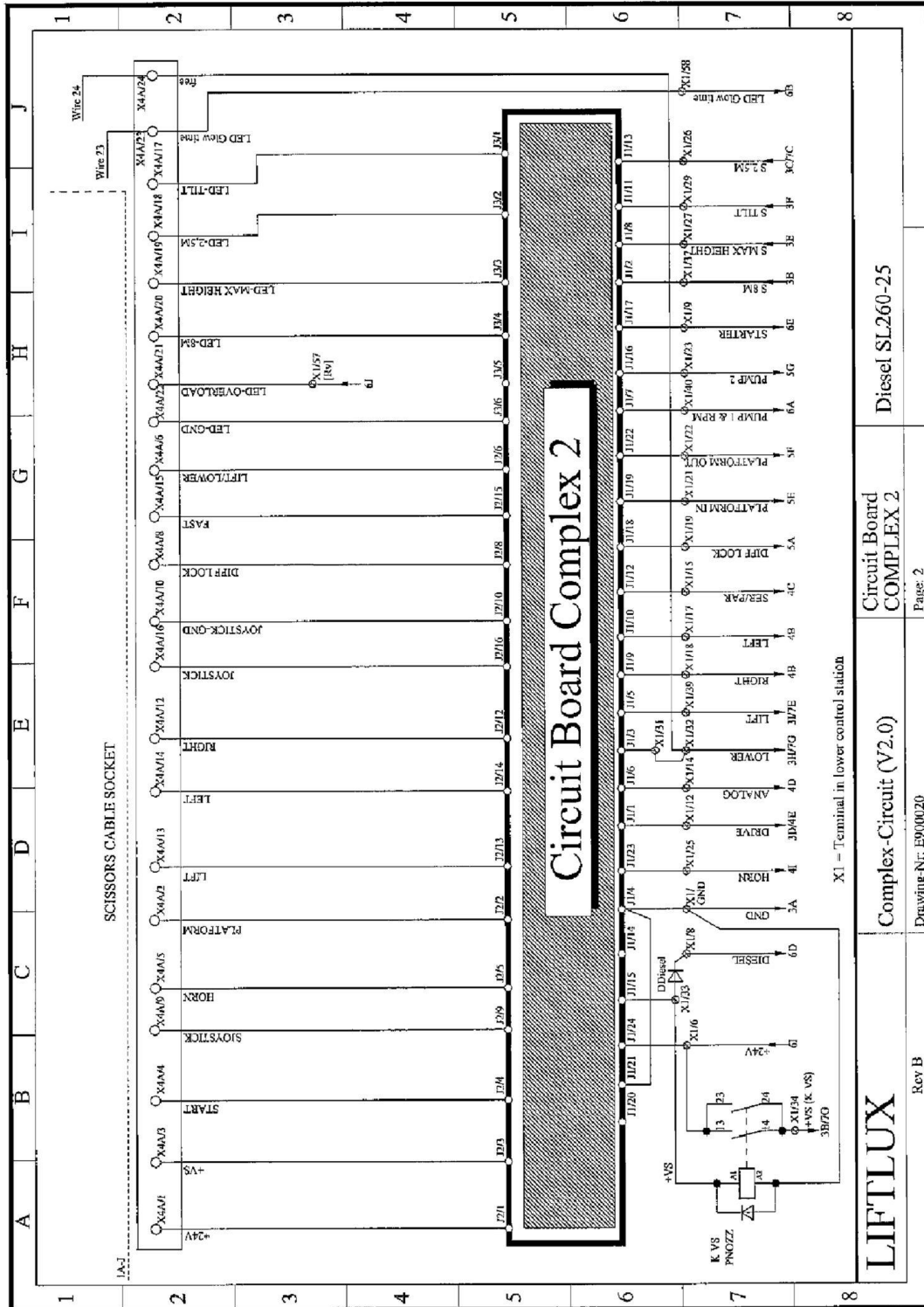
Diesel SL260-25

Rev B

Drawing-Nr. E900020

Page: 1

Wire 23
Wire 24



LIFTLUX

Complex-Circuit (V2.0)

Circuit Board COMPLEX 2

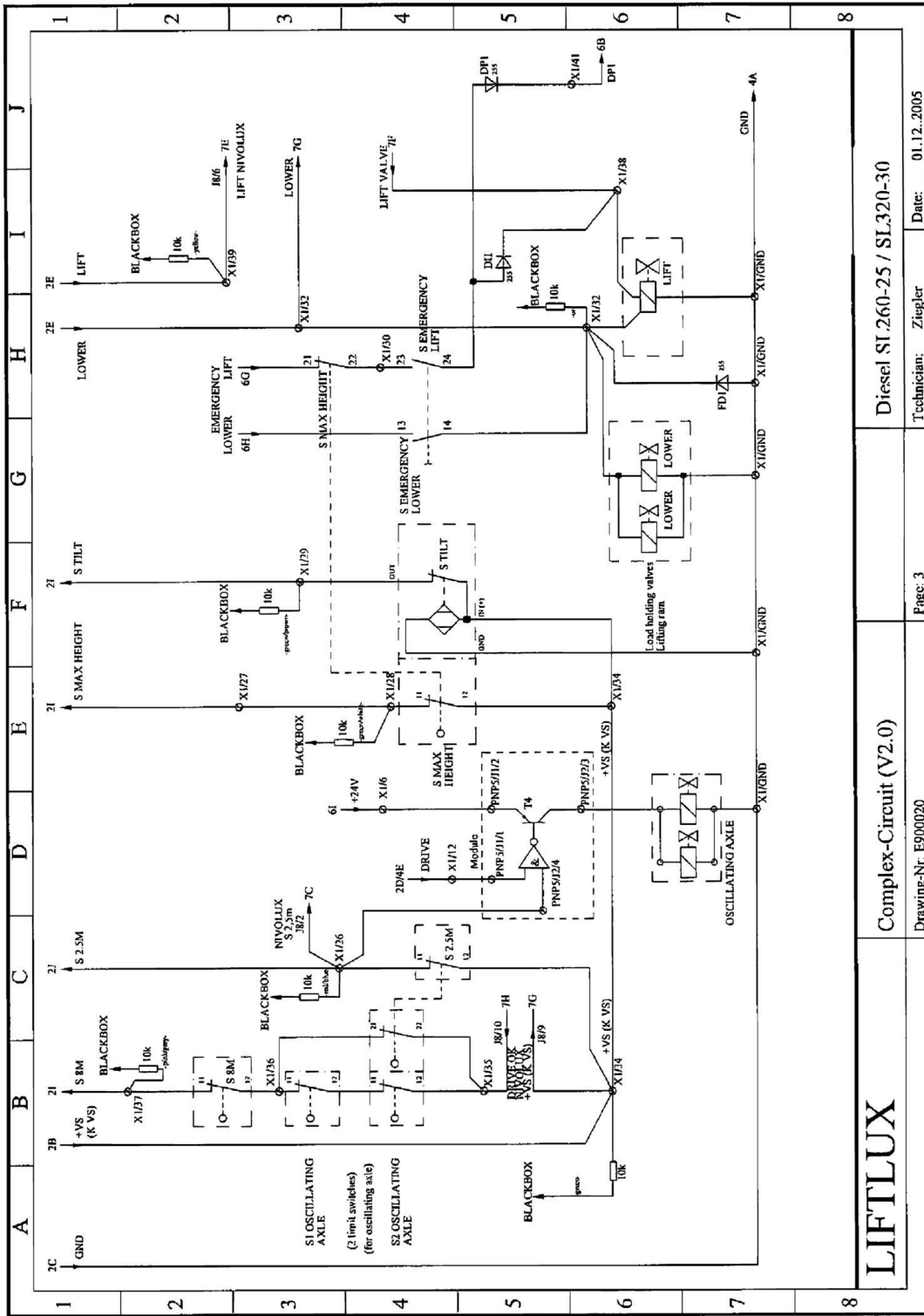
Diesel SL260-25

Rev B

Drawing-Nr: E90020

Page: 2

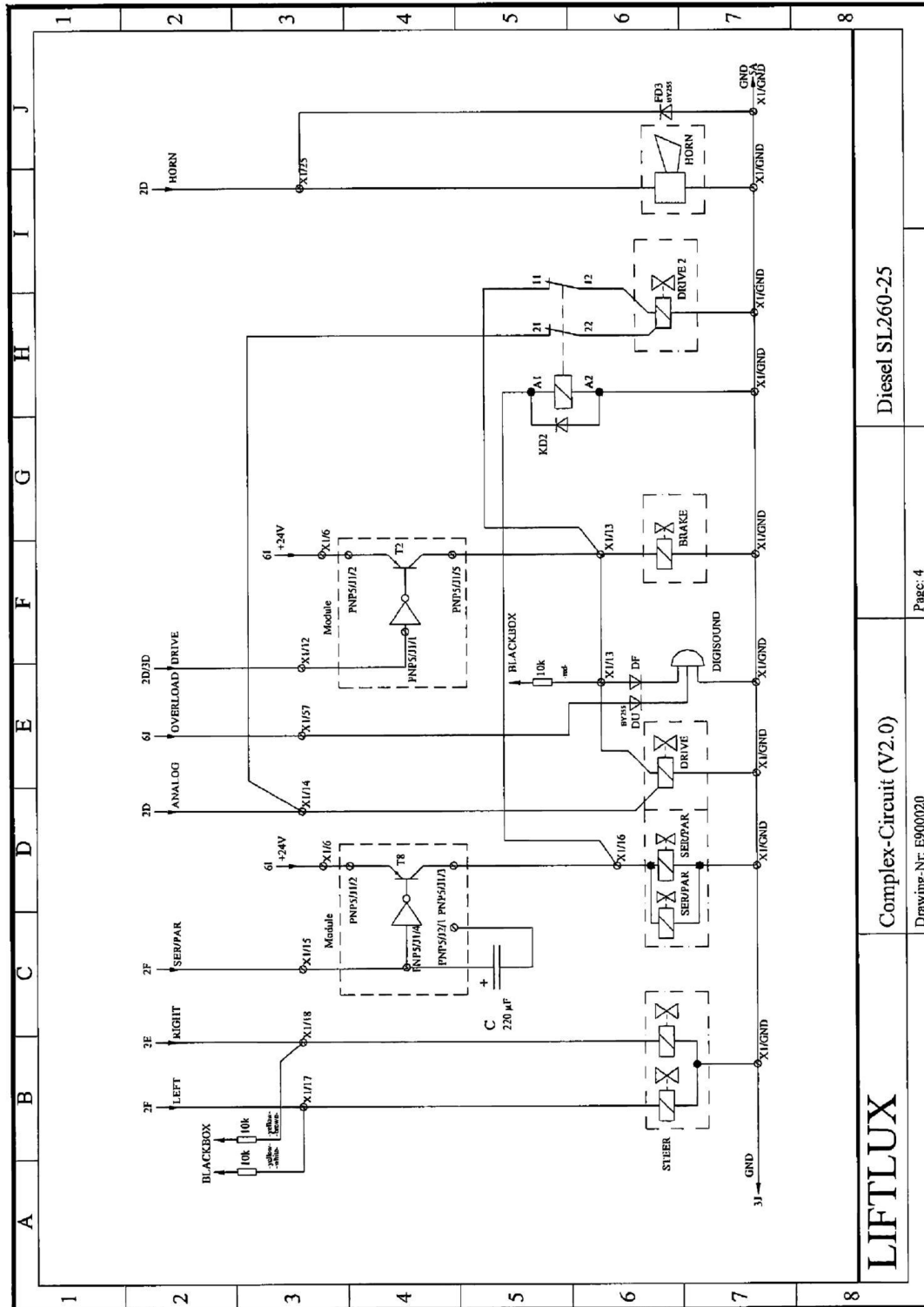
SECTION 7 - ELECTRICAL



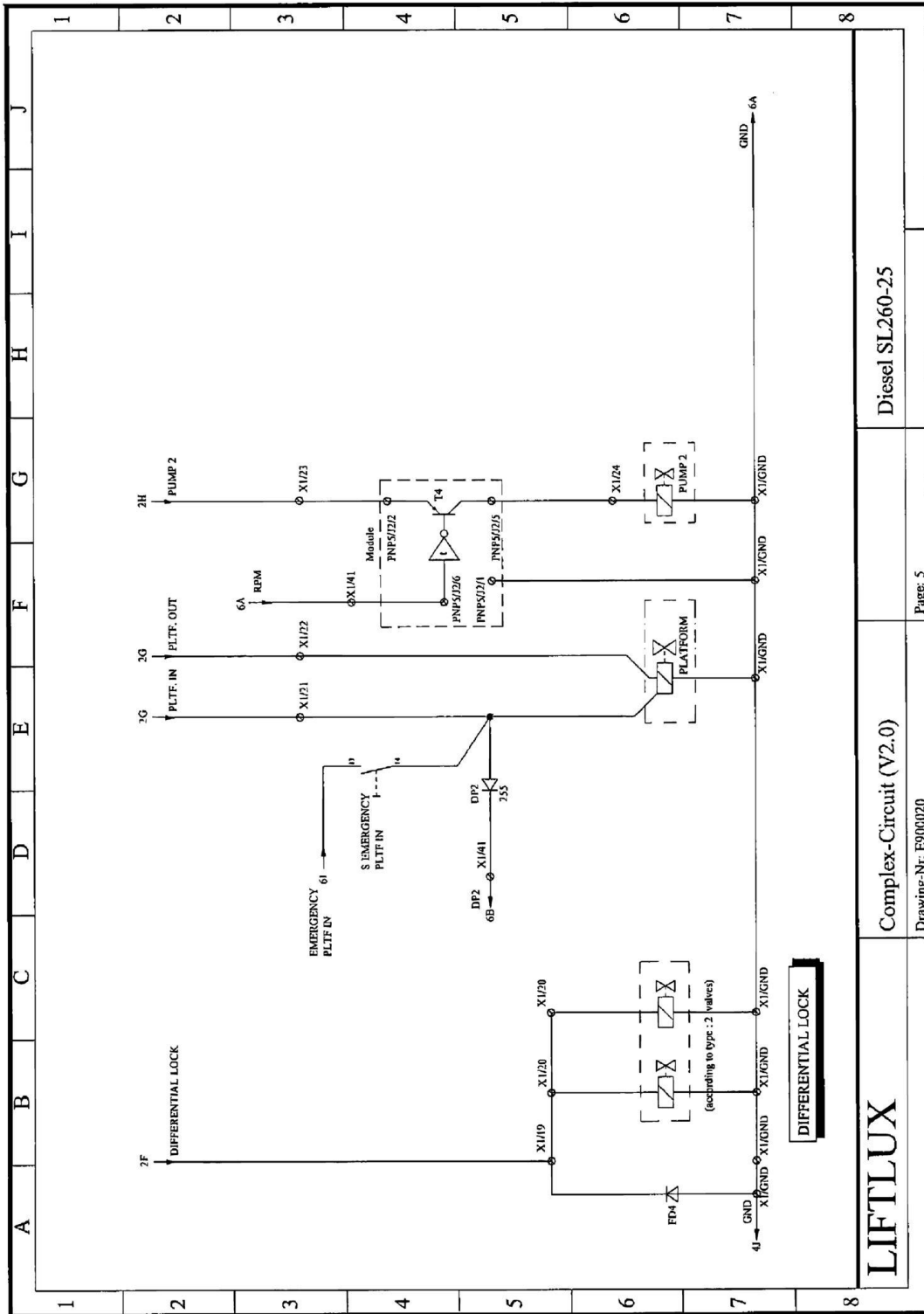
LIFTLUX

Complex-Circuit (V2.0)

Diesel SI.260-25 / SL.320-30



SECTION 7 - ELECTRICAL



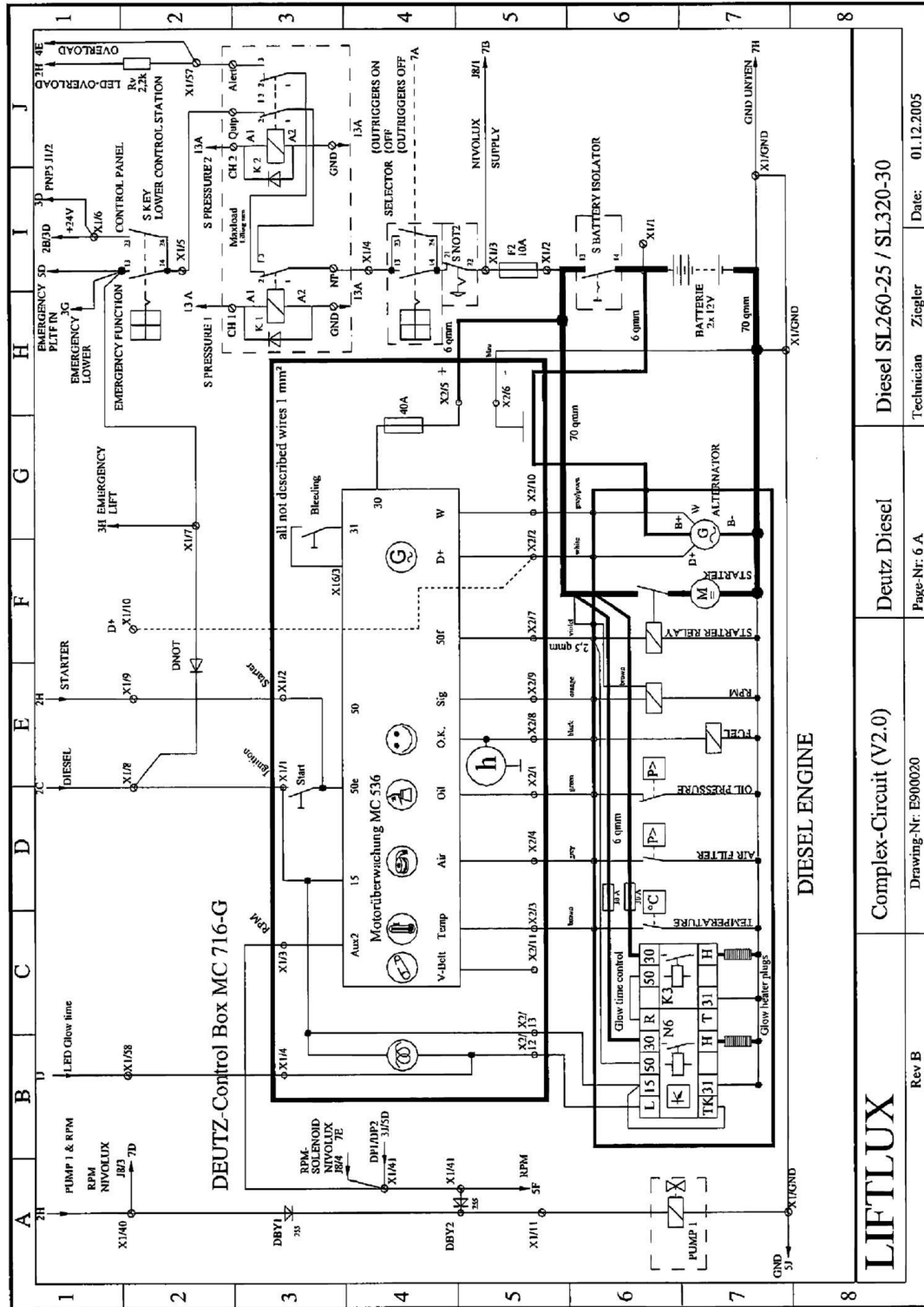
LIFTLUX

Complex-Circuit (V2.0)

Diesel SL260-25

Drawing-Nr: E900020

Page: 5



Diesel SL260-25 / SL320-30

Deutz Diesel

Complex-Circuit (V2.0)

LIFTLUX

Date: 01.12.2005

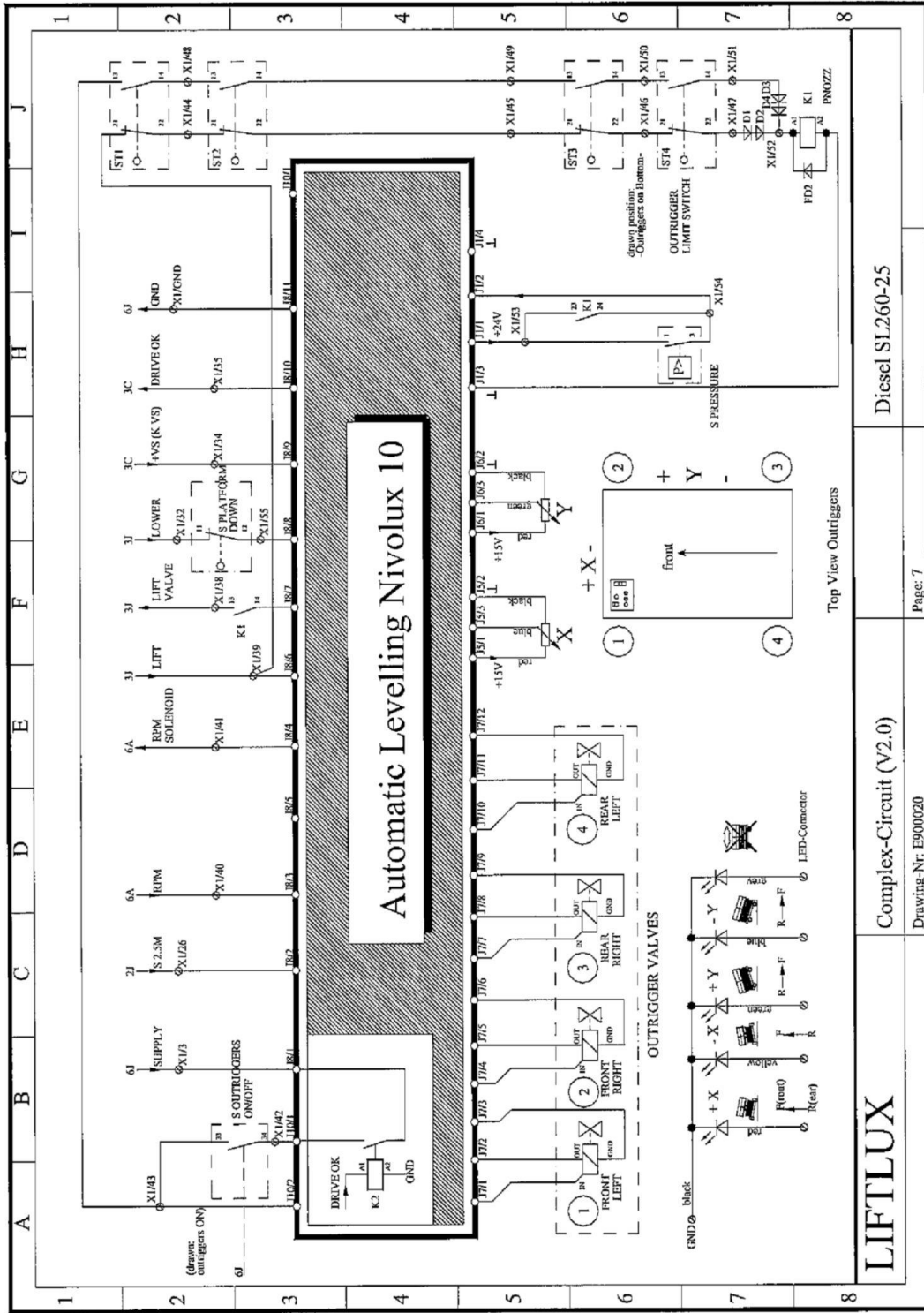
Technician Ziegler

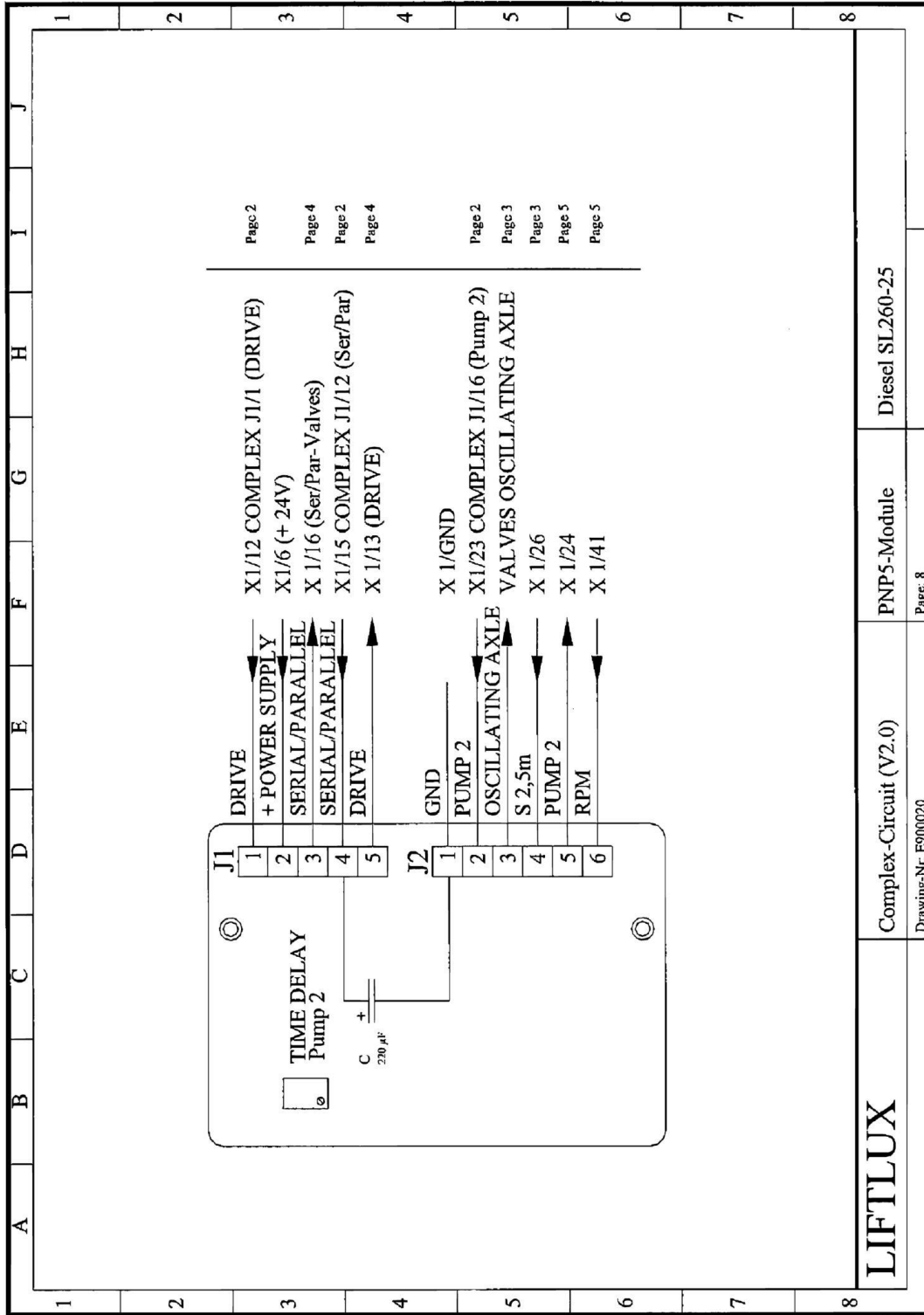
Page-Nr: 6 A

Drawing-Nr: E900020

Rev B

SECTION 7 - ELECTRICAL





Page 2
Page 4
Page 2
Page 4
Page 2
Page 3
Page 3
Page 5
Page 5

LIFTLUX

Complex-Circuit (V2.0)

Drawing-Nr. E900020

PNP5-Module

Page: 8

Diescl SL260-25

SECTION 7 - ELECTRICAL

A	B	C	D	E	F	G	H	I	J
1	11	[2]	[TOP] [3]	[4]					
2	21	Battery +	6I		Versorgung Blackbox	6I			
3	22	Battery Isolator OUT	6I		P2 (10A) IN	6I			
4	35	Emergency Stop 2/22	6I	Pressure Switch S1482 13 C	Nivolux JB1	7B	P2 (10A) OUT		
5	4	Maalood Modul NP	6I	S Em.S1.2 P11 S Key /13,3,6I					
6	5	Maalood Modul Qalp	6B		S Key L.C.S. /14,24	6I			
7	6	7S Max Height /21	3H		PNP5 J1/2	3D	S Key L.C.S. /Control Panel/6I	[A]	
8	7	8S Max Height /21	3H		K VS /13,23	2B	Complex J1/24	[B]	
9	8	Motor Control Box Ignition/D			DN0T	6F	S Key L.C.S./Fan Function 6I		
10	9	Motor Control Box Start	6E		DN0T (Cathode)	6F	D Diesel (Cathode)		
11	10	Motor Control Box D+	6F				Complex J1/17 Starter	2C	
12	11	Pump 1	6A					2H	
13	12	Blaise Valve	4P		DBY2 (Cathode)	6A	DBY1 (Cathode)	6A	
14	13	Drive Valve IN	4E	KD2 /11	PNP5 J1/1	4F	Complex J1/1 Drive	2D	
15	14	Drive Valve Analog	4D	KD2 /21	4H	4E	DF (Anode)	4E	[A]
16	15	Star/Par Valve	4D		PNP5 J1/4	4C	Complex J1/13 Ser/Par	2F	[B]
17	16	Star Left Valve	4B	KD3 /A1	4H		PNP5 J1/5	4D	
18	17	Star Right Valve	4B		Blackbox Left	4A	Complex J1/10 Left	2P	
19	18	Star Right Valve	4B		Blackbox Right	4B	Complex J1/9 Right	2E	
20	19	Diff Lock Valve 1	5B		FD4 (Cathode)	5A	Complex J1/18 Diff Lock	2F	[A]
21	20	Diff Lock Valve 2	5C						[B]
22	21	Platform EN Valve	5E	DP2	S Emeng. PHF IN /14	5E	Complex J1/19 Platf. IN	2G	
23	22	Platform OUT Valve	5F				Complex J1/22 Platf. OUT 2G		
24	23	Pump 2 Valve	5G		PNP5 J2/2	5G	Complex J1/16 Pump 2	2H	
25	24	Platform	4I		FD J (Cathode)	4I	PNP5 J2/5	5G	
26	25	S 2.5m /11	3C	PNP5 J2/4	7C		Complex J1/13 S 2.5m	2I	
27	26	8S Max Height /11	3E				Complex J1/8 S Max Height/2I		
28	27	TH OUT	3F		Blackbox S TH	3F	Blackbox Max Height	3E	
29	28	8S Max Height /22	3H				Complex J1/11 S TH	2I	
30	29	Lower Valve	3H	S Platform Down /11	7C		Complex J1/3 Lower	2E	[A]
31	30	Lower Load Holding Valve/G	2J	Platform In			S Emeng. Lift /23	3H	[B]
32	31	Lower Load Holding Valve/G	2J		Blackbox Lower	3H	S Emeng. Lower /14	3G	
33	32	8S Max Height /12	3E	K VS /A1	2A		FD 1 (Cathode)	3H	[B]
34	33	TH IN	3F		D Diuret	2C	Complex J1/15 +VS	2C	
35	34	8S Max Height /12	3E	S 2.5m /12	3C		K VS /14,24	2B	[A]
36	35	TH IN	3F		Blackbox +VS	3A	Nivolux JB9	7G	[B]

LIFTLUX

Complex-Circuit (V2.0)

Terminals

Diesel SL260-25

Rev B

Drawing-Nr. E900020

Page: 9A

A		B	C	D			E	F	G	H	I	J
1		11		2		TOP	3	4		5		
35	S 8m /12	3B						Nivolux JB10	7H			
36	S 8m /11	3B					Blackbox S 8m	3B		Complex J1/2 S 8m	2I	
37	8m Valve	3I					K1 /13 PNOZZ	7F		DH (Cathode)	3I	
38	ST1 /21	7I					Blackbox L18	3I		Nivolux JB6	7E	
39	ST1 /21	7I					Blackbox L18	3I		Nivolux JB6	7E	
40	DA1	6B					Nivolux JB3	7D		DBY1	6A	
41	Motor Control Box RPM	6D					Nivolux JB4	7E		DBY2	6A	
42	DA2	6A					Blackbox RPM	6B		PNPS D16	5F	
43	S Outagger ON/OFF /13	7B					ST1 /13	7I				
44	ST2 /21	7I					ST1 /22	7I				
45	ST3 /21	7I					ST2 /22	7I				
46	ST4 /21	7I					ST3 /22	7I				
47	ST4 /22	7I								D1		
48	ST2 /13	7I					ST1 /14	7I				
49	ST3 /13	7I					ST2 /14	7I				
50	ST4 /13	7I					ST3 /14	7I				
51	ST4 /14	7I								D3		
52							K1 /A1 PNOZZ	7I		D1 (Cathode)	7I	
53	S Pressure /1 Nivolux	7H					K1 /B3 PNOZZ	7H		Nivolux J1/1	7I	
54	S Pressure /3 Nivolux	7H					K1 /B4 PNOZZ	7H		Nivolux J1/2	7I	
55	S Platform Down /12	7G								Nivolux JB8	7C	
56												
57	Maxload Modul ,Alert:	6I					DU (Anode)	4E		X44Z1 LED Overload	2H	
58	LED Glow time	1J					Motor Control Box X1.4	6B				
61	J Jantry	6I					Load Holding Valves	3G		SUD2 /A2	4II	
62	J Lift	3H					S T11	3F		D3	4J	
63	J Sheer	4E					DIF Lock Valve 1	5B		D4	5A	
64	J Drive	4E					DIFT Lock Valve 2	5C		Maxload Modul, OND	6J	
65	J Brake	4F								Digitalsound	4E	
66	J Serial/Parallel	4D								Nivolux	7H	
67	J Pump 1	6A					Hom	4I		K1 PNOZZ	7I	
68	J Pump 2	5G					Platform	5E		K VS PNOZZ	2A	
69	J Motor Control Box	6H								Blackbox	6I	

LIFTLUX

Rev B

Complex-Circuit (V2.0)

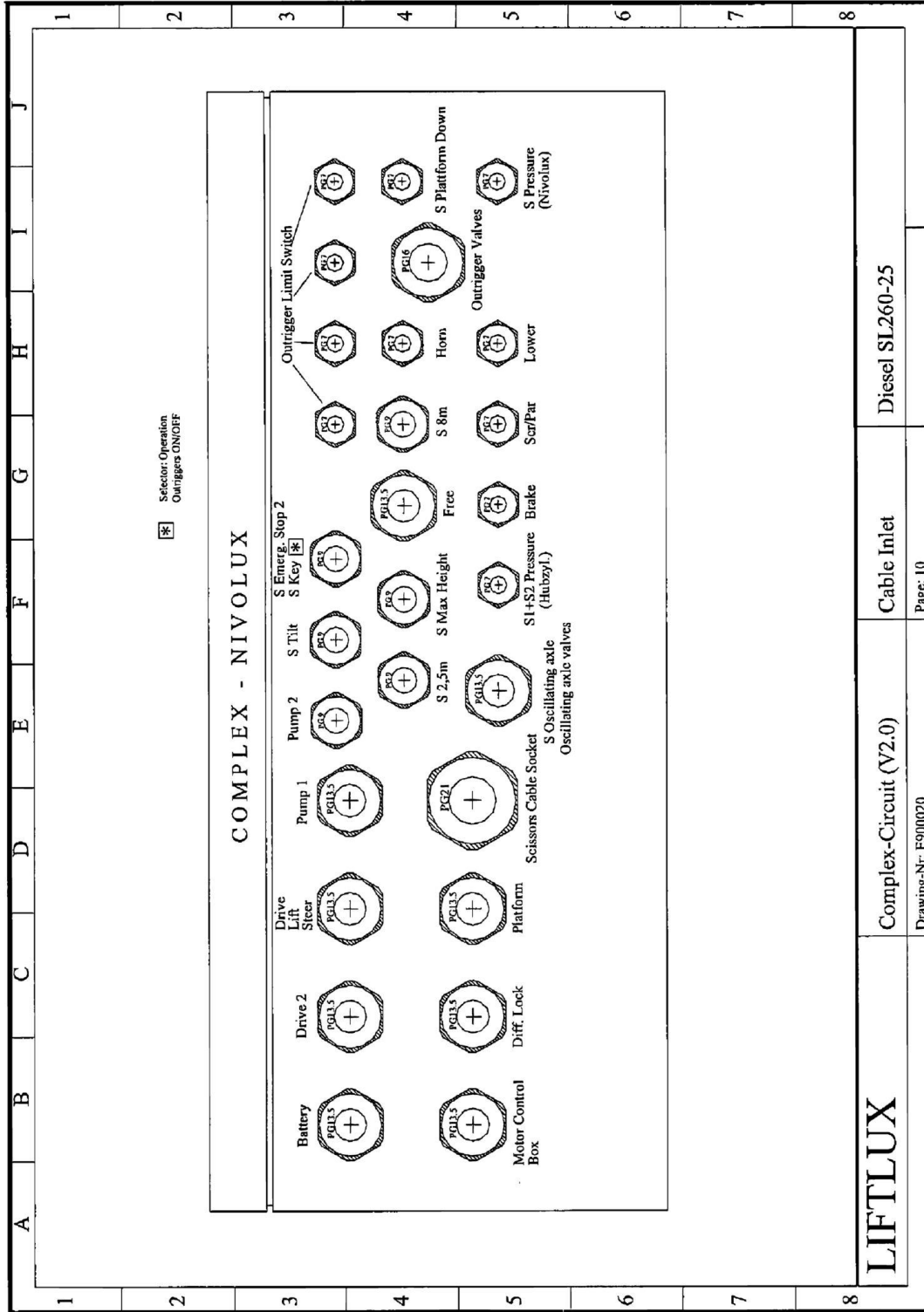
Drawing-Nr: E900020

Terminals

Page: 9B

Diesel SL260-25

SECTION 7 - ELECTRICAL



LIFTLUX

Complex-Circuit (V2.0)

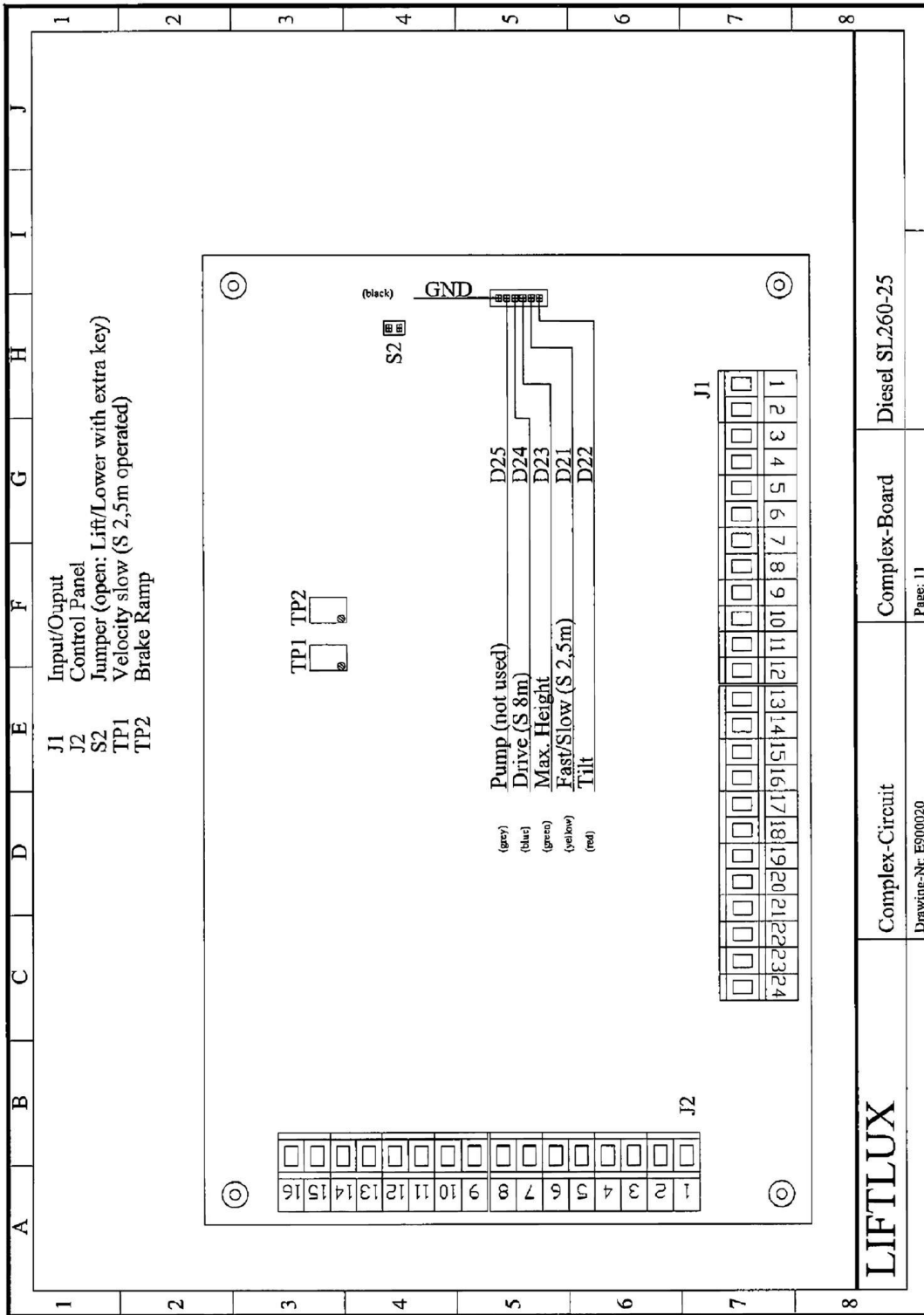
Cable Inlet

Diesel SL260-25

Page: 10

Drawing-Nr: E900020

SECTION 7 - ELECTRICAL



LIFTLUX

Diesel SL260-25

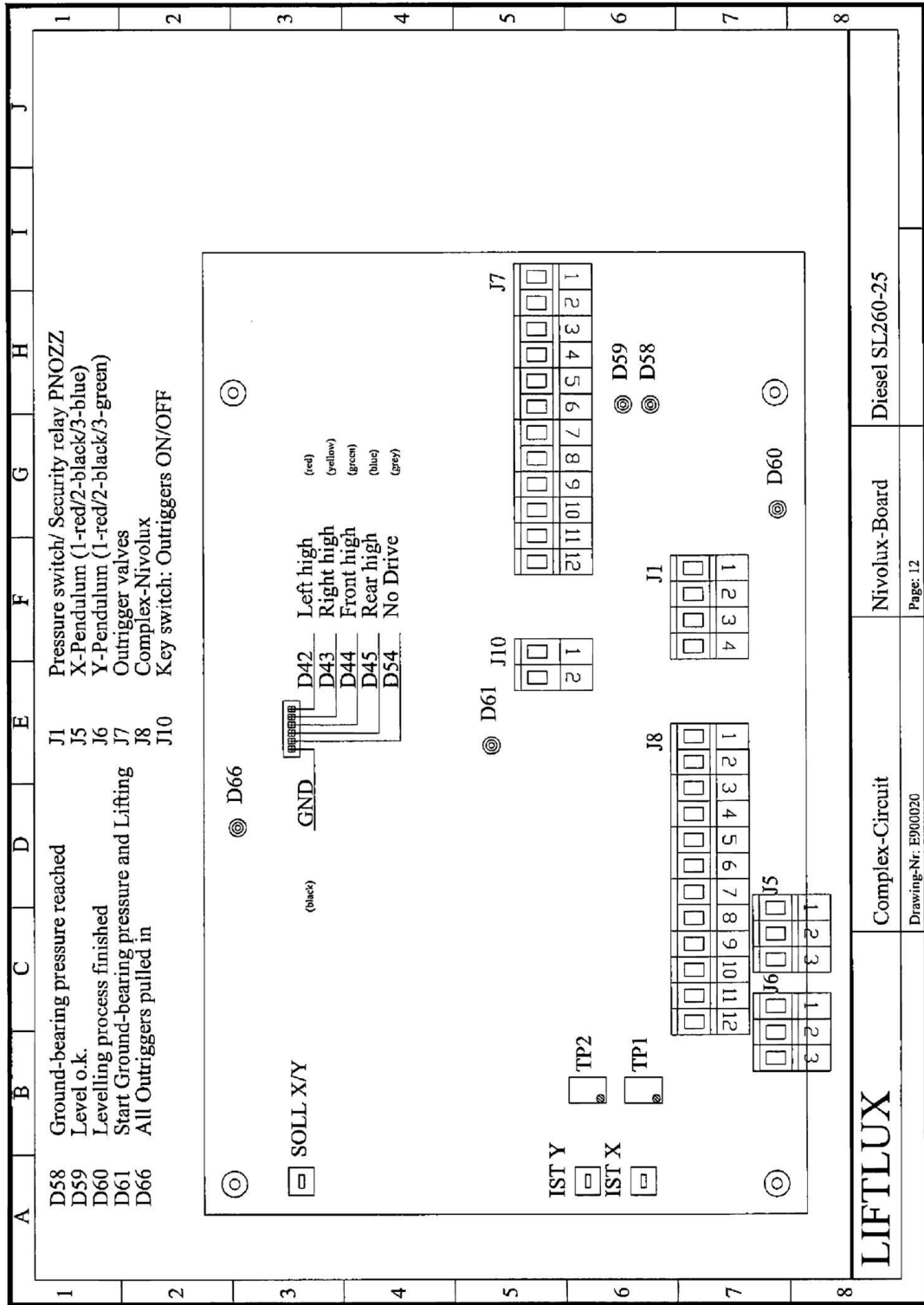
Complex-Board

Complex-Circuit

Page: 11

Drawing-Nr: E900020

SECTION 7 - ELECTRICAL



LIFTLUX

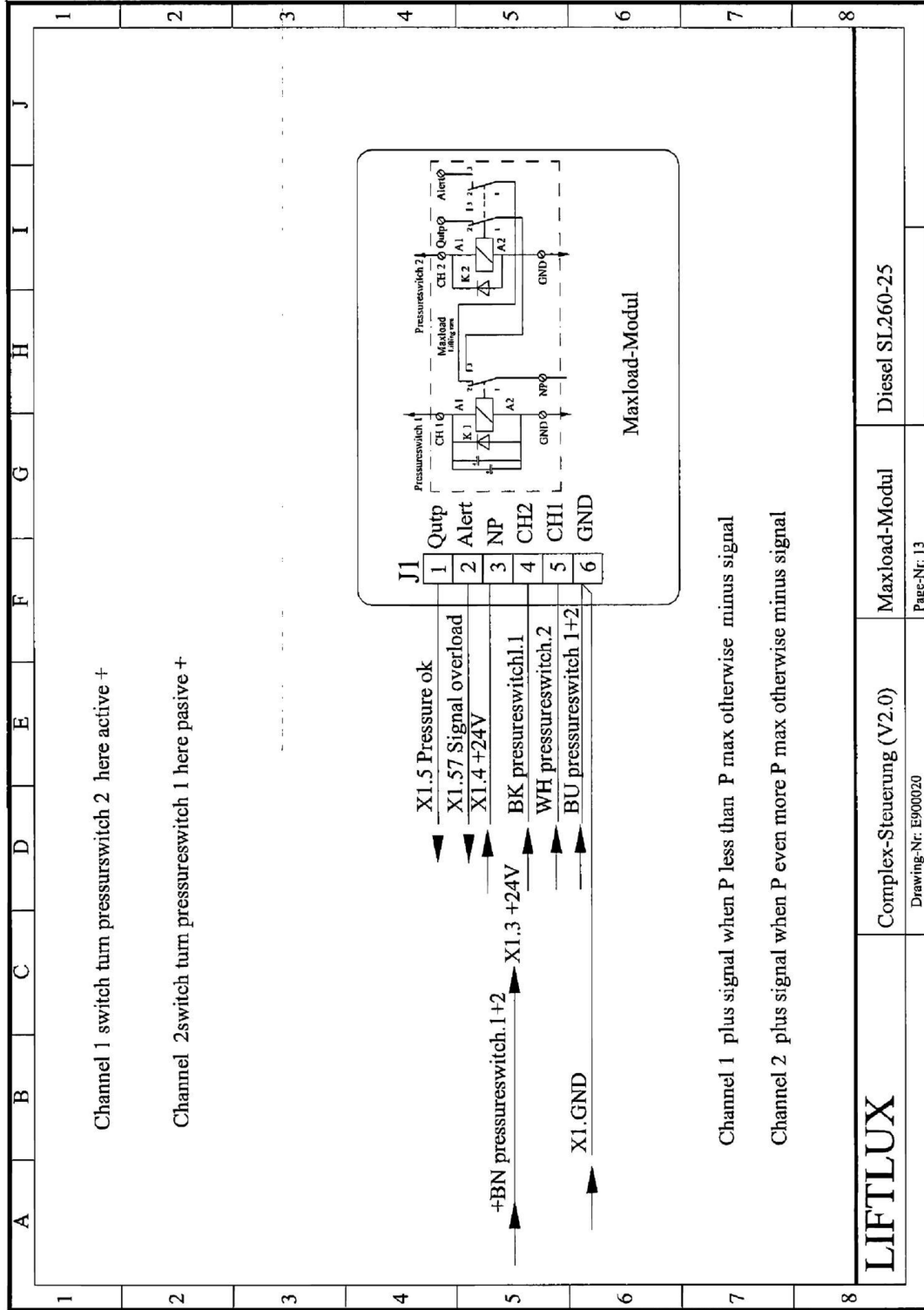
Complex-Circuit

Nivolux-Board

Diesel SL260-25

Drawing-Nr. E900020

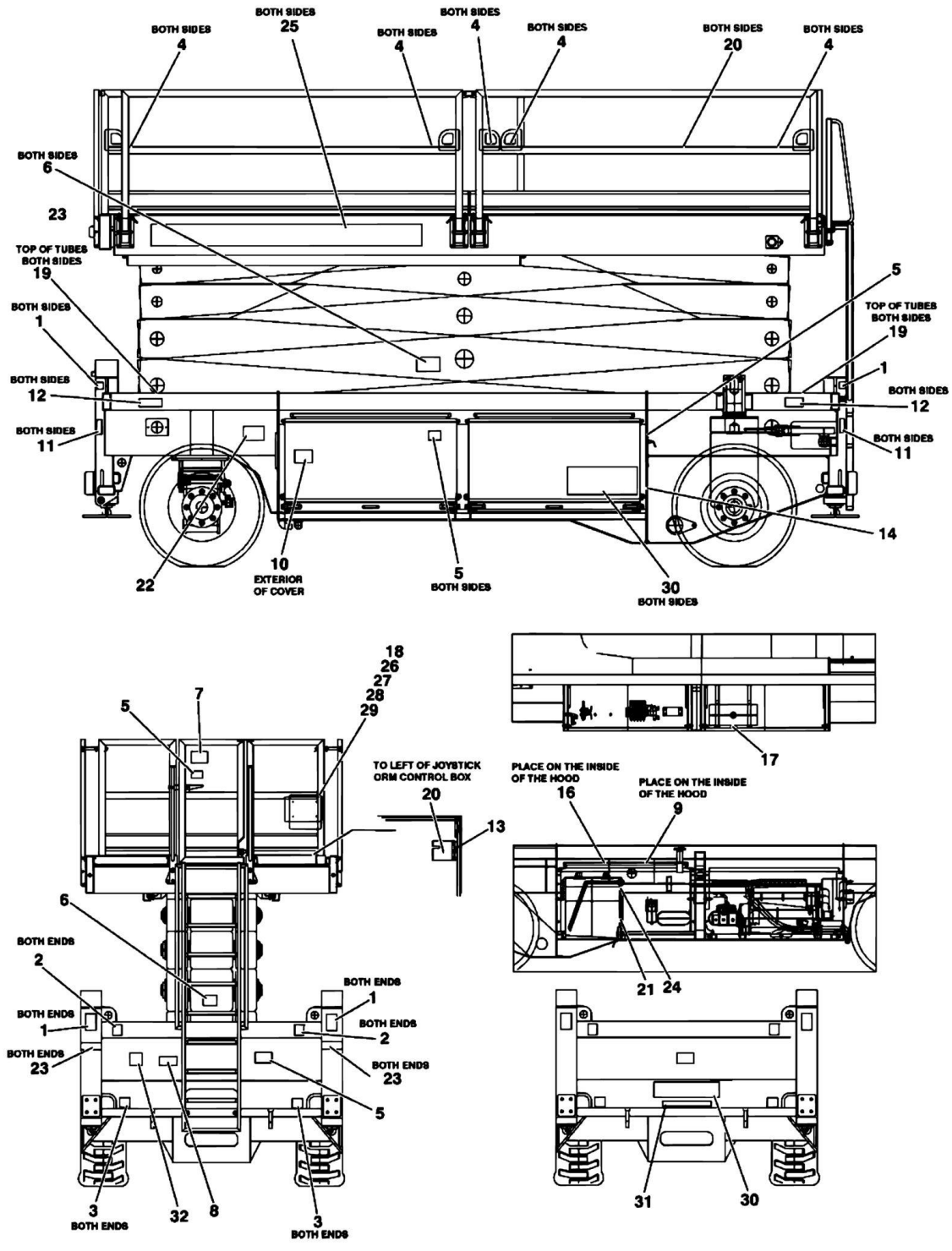
Page: 12



SECTION 8 - DECALS

SECTION 8 - DECALS

FIGURE 8-1. DECAL INSTALLATION



SECTION 8 - DECALS

FIGURE 8-1. DECAL INSTALLATION

ITEM	PART NUMBER	QTY	DESCRIPTION	REV
	0274712	Ref	DECAL INSTALLATION	B
1	1701785	8	Decal, Crushing	
2	1703811	4	Decal, Lifting Lug	
3	1703814	4	Decal, Tie Down	
4	1704277	8	Decal, Lanyard Attach	
5	1705671	6	Decal, Electrocution	
6	1705673	4	Decal, Crushing	
7	1706575	1	Decal, Capacity	
8	1706472	1	Decal, Fall Hazard	
9	1706680	1	Decal, Manual Descent	
10	1706482	1	Decal, Manual Descent Inside	
11	1706576	4	Decal, Pad Load	
12	1706577	4	Decal, Wheel Load	
13	1706485	1	Decal, Control Box Location	
14	1706512	1	Decal, Ground Control	
15	1706487	1	Decal, Safety Prop	
16	1706674	1	Decal, Manual Descent Ext.	
17	1701505	1	Decal, Diesel Fuel	
18	1701509	1	Decal, Manual	
19	1703687	4	Decal, Direction Arrow	
20	1703819	3	Decal, Direction Arrow	
21	1704412	1	Decal, Hydraulic Oil	
22	Not Available	1	Nameplate - Serial Number	
23	4420051	1.2 m	Tape, Safety	
24	1703812	1	Decal, Hydraulic Oil	
25	1706578	2	Decal, 260-25 Liftlux	
26	0860520	1	Box, Manual Storage	
27	1060279	1	Lanyard	
28	2080040	4	Fastener, Huck	
29	S900129	1	Plate, Manual Storage Box	
30	1702773	3	Decal, JLG	
31	1704885	1	Decal, Website	
32	1705515	1	Decal, Sound Power	

SECTION 9 - RECOMMENDED SERVICE PARTS STOCK

SECTION 9 - RECOMMENDED SERVICE PARTS STOCK

SECTION 9 - RECOMMENDED SERVICE PARTS STOCK

FIGURE 9-1. MODEL LIFTLUX 260-25 STANDARD PARTS

ITEM	PART NUMBER	QTY	DESCRIPTION	REV
	Note	Ref	Note: The following list will service one machine (built to current production per date on the front cover) with emergency repair parts which can be installed in the field. Parts from the list should be replaced when inventory is depleted to keep service parts stock supplied. For further information, contact your JLG dealer or the JLG Industries Parts Department.	
		Ref	STANDARD PARTS	
	E000044	1	Switch, Tilt	
	E000390	1	Switch, Key	
	E000391	1	Contact Block	
	E000377	1	Switch, Emergency Stop	
	E000059	1	Switch, Battery Disconnect	
	H000536	1	Switch, Pressure	
	70000020	12	Element, Mini High Pressure Filter	
	E000457	1	Relay	
	E000436	1	Switch, Steering	
	E000412	1	Switch, Pushbutton	
	70000024	12	Element, Hydraulic Oil Filter	
	H000241	12	Breather, Hydraulic	
	S200524	1	Latch, Platform	
	E000511	1	Switch, On/Off	
	E000435	1	Switch, 3 Step	
	E000051	1	Joystick	
	7012986	1	Coil	
	7017444	1	Coil	

SECTION 9 - RECOMMENDED SERVICE PARTS STOCK

FIGURE 9-2. MODEL LIFTLUX 260-25 VARIABLE PARTS

ITEM	PART NUMBER	QTY	DESCRIPTION	REV
	Note	Ref	Note: The following list will service one machine (built to current production per date on the front cover) with emergency repair parts which can be installed in the field. Parts from the list should be replaced when inventory is depleted to keep service parts stock supplied. For further information, contact your JLG dealer or the JLG Industries Parts Department.	
		Ref	VARIABLE PARTS	
	E000376	1	Limit Switch	
	E000359	1	Limit Switch	
	70000633	1	PC Board	
	70000635	1	Switch, Pushbutton	
	E000189	1	Card, Pump Delay	
	E000214	1	Board, Nivelux Control	
	E000218	1	Card, Complex Control	
	E001206	1	Sensor, Level	
	E700100	1	Module, Load Sensing	
	H005274	12	Element, Primary Air Cleaner	
	70000080	12	Element, Secondary Air Cleaner	
	7016331	12	Filter, Oil (Deutz Engine)	
	7020023	12	Filter, Fuel (Deutz Engine)	

SECTION 10 - SPECIAL OPTIONS

SECTION 10 - SPECIAL OPTIONS

FIGURE 10-1. SPECIAL OPTIONS

ITEM	PART NUMBER	QTY	DESCRIPTION	REV
	Note	Ref	Note: This list is to accomodate machines ordered with special equipment. Options may not be applicable to all models. For more specific parts information contact JLG Parts Department.	
		Ref	MISCELLANEOUS SPECIAL OPTIONS	
	0256789	Ref	Camera Mount Assembly	3
		Ref	Tools For Service:	
	7002828	1	Wire Stripper	
	7002821	1	Wire Crimper (To Install Wire Ends to Wires)	
	7002823	1	Pin/Socket Extractor - Universal (To Remove Pins/Sockets from Connectors)	
	4460467	1	Extractor - 16-18 Gauge (For Removal of Pins/Sockets for Deutsch Connectors)	
	4460510	1	Extractor - 12-14 Gauge (For Removal of Pins/Sockets for Deutsch Connectors)	
	7002822	1	Screwdriver, Potentiometer (To Adjust Drive Controller)	
	7016654	1	Screwdriver, Magnetic	
	7004275	1	Seal Installation Tool - 1in	
	7004276	1	Seal Installation Tool - 1 1/2in	
	7002826	1	Seal Installation Tool - 2in	
		Ref	Filter Kit	
	1001111712	1	Combined Filter Kit (Hydraulic/Air and Fuel/Engine Oil)	
	1001111677	1	Hydraulic/Air Filter	
	1001111688	1	Deutz Engine - Fuel/Engine Oil Filter	
		Ref	Fluids	
	3020016	AR	Mobil DTE 10 Excel 32	
	3020008	AR	Oil, Transmission ATF 184	
	2300014	AR	Oil, Hydraulic HLP 46	
	2300029	AR	Oil, Mobil EAL Envirosyn H 46	

PART NUMBER INDEX

SECTION 10 - SPECIAL OPTIONS

00106609, 11, 13, 23, 54, 60, 65, 69, 71	1706674	105	2221237	83	3291001	60
0181847	1706680	105	2300014	112	3291005	11, 23, 56
0256789	2080040	105	2300029	112	3291205	45, 49, 56, 61, 62
0274712	2141503	83	2560141	65	3291605	55, 62
0307544	2141506	83	2754371	83	3300496	28
0318854	2141908	83	2754473	85	3332011	11
0700816	2142103	82	2754475	85	3333615	11
0700817	2142203	82	2754494	83	3371708	56
0701018	2142205	82	2754549	84	3391210	61
0701030	2142206	82	2754550	84	3820510	23
0701222	2142207	82	2754551	84	4010508	43
0701226	2142209	82	2754552	84	4031510	23
0701629	2142708	82	2754553	84	4031612	11
0712024	2142709	82	2754554	84	4031709	61
0760608	2142710	82	2754555	83	4031712	61
0760610	2142711	82	2754556	83	4031925	71
0760810	2142712	82	2754557	83	4031929	23
0760812	2142714	82	2754558	84	4032007	28
0761010	2142715	82	2754559	83	4032017	11
0761012	2142716	82	2754560	83	4032109	55, 56
0761015	2142717	82	2754561	83	4032110	49
0761212	2142718	82	2754562	84	4032113	20
0761214	2142719	82	2754563	83	4420051	105
0761215	2142720	82	2754564	84	4460467	112
0761217	2142721	82	2754565	84	4460510	112
0761618	2142741	82	2754566	83	4740322	43
0762014	2142742	82	2754567	84	4751900	61
0771618	2142744	82	2754568	83	4811400	23
0860520	2142748	82	2754569	84	4811700	49, 60, 61, 62
0893076	2142751	82	2754570	84	4811900	11, 23, 28, 45, 49
1001092011	2142757	82	2754571	84	4812000	11, 23, 28, 45, 60, 62
1001092077	2142758	82	2754572	83	4812100	11, 45, 49, 55, 56, 61
1001092078	2143403	82	2754573	85	4812300	13, 62
1001092693	2143404	82	2754574	83	4812500	43, 55
1001094503	2143405	82	2754575	83	4831700	23, 49, 60, 61, 62
1001109990	2143406	82	2754576	84	4831900	9, 11
1001111677	2143407	82	2754577	84	4832000	28, 45, 60, 61, 62
1001111688	2143408	82	2754578	84	4832100	9, 11
1001111712	2143409	82	2754579	84	4832300	14
1003107	2143510	83	2754580	84	5242000	11
1060279	2143511	83	2754581	84	70000020	27, 28, 108
10660	2143514	83	2754582	84	70000021	27, 28
1701505	2143516	83	2754583	84	70000024	43, 108
1701509	2143522	83	2754584	84	70000043	46
1701785	2143532	83	2754585	84	70000044	46
1702773	2143533	83	2754586	84	70000050	45
1703687	2143603	82	2754587	84	70000055	45
1703811	2143604	82	2754588	84	70000056	46
1703812	2143605	83	2754589	84	70000057	46
1703814	2143606	83	2754590	84	70000058	46
1703819	2143608	83	2754591	84	70000059	46
1704277	2143609	83	2754592	84	70000060	47
1704412	2143610	83	2754593	84	70000061	46
1704885	2143703	83	2754594	84	70000062	46
1705515	2143704	83	2754595	84	70000069	46
1705671	2143705	83	2754596	85	70000070	46
1705673	2143709	83	2754597	84	70000071	47
1706472	2143803	83	2754598	85	70000072	47
1706482	2143807	83	2754599	85	70000073	47
1706485	2143812	83	2754600	85	70000074	46, 47
1706487	2144105	83	2754601	85	70000075	46
1706512	2144311	83	2754602	85		
1706575	2171712	83	3020008	112		
1706576	2171716	83	3020016	112		
1706577	2171816	83	3290405	23		
1706578	2221214	83	3290605	49, 60		
	2221222	82	3290805	45, 49, 61		

SECTION 10 - SPECIAL OPTIONS

70000076	45	70000428	19	70000635	28, 110	7020480	46
70000077	46	70000429	19	70000902	27	7020486	46
70000079	45	70000430	19	70000916	46	7020492	46
70000080	45, 110	70000431	19	70000917	46	7021632	71
70000150	71	70000432	19	70000918	46	7023919	71
70000155	13	70000433	19	70000919	46	7024579	46
70000156	13	70000434	19	70000922	46	7024897	69
70000157	13	70000513	39	70000924	46	7026608	46
70000158	13	70000514	39	70000925	46	7027239	46
70000198	75	70000515	39	70000926	46	7027240	46
70000201	73	70000516	39	70000952	41	7027245	47
70000202	69	70000517	39	70000953	41	7027249	46
70000219	71	70000518	39	70000954	41	7027912	31
70000220	71	70000519	39	70000955	41	7027916	35
70000241	19	70000520	39	70000956	41	7027917	35
70000256	19	70000521	39	70001114	27	7027918	35
70000257	19	70000522	39	70001122	28	7027919	35
70000262	45	70000523	39	70001125	46	7027920	35
70000264	46	70000524	39	70001126	46	7027921	35
70000267	33	70000525	39	70001127	46	7027922	35
70000269	33	70000526	39	70001128	47	7027923	35
70000270	33	70000527	39	70001129	47	7027924	35
70000271	33	70000528	39	70001130	47	7027925	35
70000332	33	70000529	39	70001131	47	7027926	35
70000333	33	70000530	39	70001132	47	7027927	35
70000385	33	70000531	39	70001133	46	7027928	35
70000387	19	70000532	39	70001134	46	7027929	35
70000388	19	70000533	39	70001135	46	7027930	35
70000389	20	70000534	39	70001136	46	7027931	35
70000390	20	70000535	39	70001137	46	7027932	35
70000391	20	70000536	39	70001138	46	7027934	35
70000392	20	70000537	39	70001352	28	7027935	35
70000393	20	70000538	39	70001353	28	7027936	35
70000394	19	70000539	39	70001355	28	7027937	35
70000395	19	70000540	39	70001850	46	7027938	17
70000396	19	70000541	39	70002076	37	7027950	17
70000397	19	70000542	39	70002077	37	7027951	17
70000398	19	70000543	39	70002078	37	7027952	17
70000399	19	70000584	27	70002079	37	7027953	17
70000400	19	70000585	45	70002080	37	7027954	17
70000401	19	70000586	45	70002081	37	7027955	17
70000402	19	70000587	62	70002082	43	7027956	17
70000403	19	70000588	62	70003217	46	7027957	17
70000404	19	70000589	60	70003616	41	7027958	17
70000405	19	70000590	28	7002821	112	7027959	17
70000406	19	70000591	28	7002822	112	7027960	17
70000407	19	70000601	56	7002823	112	7027962	27
70000408	19	70000602	56	7002826	112	7028846	31
70000409	19	70000603	56	7002828	112	7028847	31
70000410	19	70000604	56	7004275	112	7028848	31
70000411	19	70000605	56	7004276	112	7028849	31, 35
70000412	19	70000606	56	700620	49	7028893	31
70000413	19	70000607	56	701022	27	760606	49
70000414	19	70000608	56	701227	45	760807	49
70000415	19	70000609	56	7012972	69	760812	28, 43, 49
70000416	19	70000610	56	7012986	69, 108	760814	45, 49
70000417	19	70000611	56	7016330	46	760816	45
70000418	19	70000613	56	7016331	46, 110	761010	45
70000419	19	70000614	56	7016654	112	761012	45
70000420	19	70000615	56	7017444	71, 108	761215	49
70000421	19	70000616	56	7020023	45, 110	762016	43
70000422	19	70000629	19	7020168	46	8003063	31
70000423	19	70000630	19	7020449	46	8007894	31
70000424	19	70000631	19	7020459	46	8007915	31, 35
70000425	19	70000632	45	7020465	46	8007935	31
70000426	19	70000633	110	7020468	46	8007939	31
70000427	19	70000634	28	7020471	46	8007944	31

SECTION 10 - SPECIAL OPTIONS

8007953.....	31, 35	H000206	31	H005237.....	45	S000212	71
8007954.....	31	H000214	13, 14, 19	H005238.....	45	S000213	71
8008750.....	27, 28	H000215	13, 17	H005239.....	45	S000216	23
80334555.....	17	H000241	43, 108	H005241.....	45	S000219	49
E000015	41	H000273	82	H005247.....	31, 35	S000224	49
E000018	41	H000278	82	H005250.....	31	S000225	49
E000044	27, 108	H000280	69	H005271.....	77	S000226	49
E000045	54, 56	H000285	27, 28, 39	H005274.....	45, 110	S000232	49
E000051	65, 108	H000305	82	H005279.....	31	S000237	62
E000057	27	H000311	27, 28	H005289.....	45	S000265	75
E000058	27	H000335	82	H005451.....	13	S000279	54
E000059	27, 108	H000339	82	H005559.....	28	S000289	49
E000063	27	H000352	31	H005624.....	13	S001443	28, 60, 61, 62
E000083	27, 28, 54, 65	H000370	27, 28	H705721.....	71	S001445	62
E000102	27, 28, 41	H000371	43	H705722.....	71	S001491	54
E000103	27	H000372	43	H705723.....	71	S001492	54
E000108	65	H000412	27	H705724.....	71	S001493	69
E000189	41, 110	H000430	43	H900004.....	43, 45	S001496	54
E000214	41, 110	H000435	28, 43, 45	H900037... ..	28, 43, 69, 71, 82	S001497	54
E000218	41, 110	H000436	27, 28, 33	H900043.....	71	S001498	54, 71
E000230	23	H000512	31	S000002.....	55	S001553	9, 54, 55, 77
E000231	23	H000514	31	S000003.....	55	S001640	60
E000269	54	H000536	27, 28, 108	S000008.....	55	S001676	49
E000292	41	H000558	23	S000009.....	55	S001677	28, 62
E000301	54, 56	H000559	23	S000030.....	60	S001735	54
E000302	54, 56	H000580	31	S000034.....	54	S001803	54
E000303	41	H000602	31	S000036.....	54	S001829	54, 55
E000304	41, 65	H000620	54, 71	S000037.....	55	S001831	54, 55
E000359	23, 110	H000621	23, 73	S000058.....	55	S003992	14, 20
E000376	11, 54, 110	H000622	23, 73	S000060.....	54	S004000	14
E000377	27, 65, 108	H000623	11, 69	S000079.....	55	S004028	54, 55
E000378	41	H000624	9, 77	S000083.....	55	S004042	54, 55
E000390	27, 108	H000699	27, 28, 31	S000092.....	54, 55	S004059	54, 55
E000391	27, 108	H000700	27, 28, 35	S000093.....	54	S004063	55
E000407	41	H000705	82	S000107.....	56	S004067	55
E000412	41, 65, 108	H000706	43	S000114.....	55	S004068	55
E000419	41, 65	H000707	27, 28, 37	S000118.....	54	S004500	23
E000420	65	H000709	43	S000120.....	54	S004501	23
E000432	65	H000711	43	S000124.....	54	S005001	54
E000435	65, 108	H001002	83	S000131.....	54	S005002	9
E000436	41, 65, 108	H001003	82	S000132.....	54	S005003	54
E000457	41, 108	H003000	69	S0001419, 11, 54, 55, 56, 60, 62		S005006	54
E000481	27, 41	H003001	69, 73	S000142.....	56, 62	S005007	54
E000482	27, 28, 65	H003002	69	S000144.....	55	S005008	54
E000494	28	H003003	73	S000145.....	60, 61, 62	S005009	54
E000511	65, 108	H003004	71	S000160.....	55	S005011	54
E000714	54, 56	H003005	71	S000161.....	54	S005018	54
E001190	65	H003006	69, 73	S000162.....	55	S005019	54
E001194	41	H003008	69, 73	S000163.....	55	S005020	54
E001206	41, 110	H003009	69	S000164.....	54	S005021	54
E001328	65	H003010	43	S000165.....	55	S005023	54
E700100	41, 110	H003011	73	S000166.....	55	S005030	11, 23
H000013	43	H003012	71	S000168.....	56	S005044	49
H000018	82	H003013	73	S000169.....	56	S005045	49
H000038	27	H003060	75	S000194.....	56	S005171	45
H000039	27	H003062	75	S000196.....	56	S005172	45
H000046	75	H003080	75	S000197.....	56	S007117	55
H000048	27	H003081	77	S000199.....	55	S032030-130-29-0.....	11
H000049	27	H003086	71	S000201.....	55	S200027	61
H000051	27	H003087	77	S000203.....	60	S200028	61
H000058	43	H003093	77	S000204.....	60	S200031	61
H000072	82	H003104	75, 77	S000206.....	56	S200205	56
H000101	71	H003116	75, 77	S000209.....	71	S200247	9
H000115	82	H003190	9	S000210.....	71	S200263	28
H000116	31	H004083	45	S000211.....	71	S200482	77
H000151	82	H004084	45			S200483	77
H000191	31	H005234	45			S200484	77

SECTION 10 - SPECIAL OPTIONS

S200485.....	77	S200539.....	60	S900161.....	11	SL260-25.180.00.0.....	23
S200487.....	73	S200540.....	61	S900163.....	49	SL260-25.190.00.0.....	23
S200488.....	73	S200541.....	61	S900164.....	49	SL260-25.200.00.0.....	54
S200489.....	73	S200542.....	61	S900165.....	23	SL260-25.210.00.0.....	54
S200490.....	73	S200543.....	9	S900166.....	23	SL260-25.220.00.0.....	55
S200491.....	73	S200544.....	9	S900167.....	23	SL260-25.230.00.0.....	55
S200497.....	69	S200545.....	9	S900168.....	62	SL260-25.240.00.0.....	55
S200498.....	69	S200546.....	9	S900170.....	60	SL260-25.240.01.0.....	55
S200499.....	69	S200547.....	9	S900171.....	60	SL260-25.240.02.0.....	55
S200500.....	69	S200548.....	9	S900172.....	60	SL260-25.240.03.0.....	55
S200502.....	75	S200550.....	11	S900173.....	60	SL260-25.240.04.0.....	55
S200503.....	75	S200551.....	11	S900176.....	60	SL260-25.240.05.0.....	55
S200505.....	75	S200552.....	11	S900177.....	60	SL260-25.240.06.0.....	55
S200506.....	75	S200553.....	11	S900178.....	60	SL260-25.240.07.0.....	55
S200510.....	60	S200554.....	11	S900179.....	60	SL260-25.240.08.0.....	55
S200511.....	60	S200555.....	11	S900180.....	60	SL260-25.240.09.0.....	56
S200512.....	60	S200557.....	23	S900181.....	60	SL260-25.240.10.0.....	56
S200513.....	60	S200558.....	45	S900182.....	60	SL260-25.250.00.0.....	56
S200514.....	60	S200559.....	27	S900183.....	60	SL260-25.410.00.1.....	60
S200515.....	61	S200560.....	43	S900184.....	60	SL260-25.410.68.0.....	60
S200516.....	61	S200561.....	43	S900189.....	11	SL260-25.411.00.0.....	60
S200518.....	60	S200562.....	27	S900211.....	11	SL260-25.411.02.0.....	60
S200522.....	61	S200563.....	27	S900223.....	56	SL260-25.411.03.0.....	61
S200523.....	61	S200564.....	27	S900230.....	62	SL260-25.411.04.0.....	61
S200524.....	61, 108	S200565.....	28	SL153-00-600.07.0.....	28	SL260-25.411.05.0.....	61
S200525.....	61	S200566.....	49	SL260-25.110.00.0.....	9	SL260-25.420.00.1.....	62
S200526.....	61	S200567.....	49	SL260-25.110.03.0.....	23	SL260-25.421.00.0.....	62
S200527.....	61	S200568.....	49	SL260-25.120.00.0.....	9, 13	SL320-30.160.21.0.....	27
S200528.....	62	S200569.....	9	SL260-25.120.01.0.....	9	SL320-30.160.26.0.....	43
S200529.....	62	S200573.....	45	SL260-25.120.03.0.....	9	SL320-30.162.01.0.....	27
S200530.....	61	S200574.....	45	SL260-25.130.00.0.....	11, 13	SL320-30.162.02.0.....	27
S200531.....	62	S200575.....	45	SL260-25.150.00.0.....	49	SL320-30.162.03.0.....	27
S200532.....	62	S201121.....	62	SL260-25.160.23.0.....	27	SL320-30.162.07.0.....	28
S200533.....	62	S900117.....	61	SL260-25.161.00.0.....	43, 45	SL320-30.411.01.3.....	60
S200534.....	61	S900129.....	105	SL260-25.161.02.0.....	49	X26025L... 11, 14, 28, 56,	
S200536.....	60	S900157.....	23	SL260-25.161.03.0.....	45	62	
S200537.....	61, 62	S900158.....	23	SL260-25.161.04.0.....	45		
S200538.....	62	S900160.....	9	SL260-25.161.05.0.....	43		



An Oshkosh Corporation Company

JLG Industries, Inc.
1 JLG Drive
McConnellsburg PA. 17233-9533
USA
Phone: +1-717-485-5161
Customer Support Toll Free: 1-877-554-5438
Fax: +1-717-485-6417

JLG Worldwide Locations

JLG Industries (Australia)
P.O. Box 5119
11 Bolwarra Road
Port Macquarie
N.S.W. 2444
Australia
Phone: +61 2 65811111
Fax: +61 2 65813058

JLG Latino Americana Ltd.
Rua Antonia Martins Luiz, 580
Distrito Industrial João Narezzi
13347-404 Indaiatuba - SP
Brazil
Phone: +55 19 3936 8870
Fax: +55 19 3935 2312

JLG Industries (UK) Ltd
Bentley House
Bentley Avenue
Middleton
Greater Manchester
M24 2GP
England
Phone: +44 (0)161 654 1000
Fax: +44 (0)161 654 1001

JLG France SAS
Z.I. de Baulieu
47400 Fauillet
France
Phone: +33 (0)5 53 88 31 70
Fax: +33 (0)5 53 88 31 79

JLG Deutschland GmbH
Max-Planck-Str. 21
D - 27721 Ritterhude-Ihlpohl
Germany
Phone: +49 (0)421 69 350 20
Fax: +49 (0)421 69 350 45

JLG Equipment Services Ltd.
Rm 1107 Landmark North
39 Lung Sum Avenue
Sheung Shui N.T.
Hong Kong
Phone: +852 2639 5783
Fax: +852 2639 5797

JLG Industries (Italia) s.r.l.
Via Po. 22
20010 Pregnana Milanese - MI
Italy
Phone: +39 029 359 5210
Fax: +39 029 359 5845

JLG Europe B.V.
Polaris Avenue 63
2132 JH Hoofddorp
The Netherlands
Phone: +31 (0)23 565 5665
Fax: +31 (0)23 557 2493

JLG Polska
Ul. Krolewska
00-060 Warszawa
Poland
Phone: +48 (0)914 320 245
Fax: +48 (0)914 358 200

Plataformas Elevadoras
JLG Iberica, S.L.
Trapadella, 2
P.I. Castellbisbal Sur
08755Castellbisbal, Barcelona
Spain
Phone: +34 93 772 4 700
Fax: +34 93 771 1762

JLG Sverige AB
Enkopingsvagen 150
Box 704
SE - 176 27 Jarfalla
Sweden
Phone: +46 (0)850 659 500
Fax: +46 (0)850 659 534

www.jlg.com