



Illustrated Parts Manual

Model LIFTLUX 260-25

SN 22107 TO PRESENT
including SN's 19027,
20824, 21674 & 21990

3121344

October 28, 2011



An Oshkosh Corporation Company

REVISION LOG

June 2, 2009 - Original Issue of Manual

October 28, 2011 - Revised Manual (Edited to B/M 0010714 Revision 5)

TABLE OF CONTENTS

SECTION 1 - FRAME.....	7
FIGURE 1-1. STEERING INSTALLATION	8
FIGURE 1-2. REAR AXLE INSTALLATION	10
FIGURE 1-3. WHEEL DRIVE INSTALLATION.....	12
FIGURE 1-4. DRIVE MOTOR ASSEMBLY	14
FIGURE 1-5. DRIVE HUB ASSEMBLY	16
FIGURE 1-6. LADDER AND LEVELING CYLINDERS INSTALLATION.....	20
SECTION 2 - GROUND CONTROLS	23
FIGURE 2-1. RIGHT SIDE COMPONENTS INSTALLATION (SN 1200022107 through 1200023452)	24
FIGURE 2-2. RIGHT SIDE COMPONENTS INSTALLATION (SN 1200023453 to Present)	28
FIGURE 2-3. MAIN VALVE ASSEMBLY (DRIVE/EXTEND/OUTRIGGER)	32
FIGURE 2-4. DRIVE VALVE ASSEMBLY	34
FIGURE 2-5. MAIN VALVE ASSEMBLY (DRIVE/LIFT/AXLE LOCKOUT)	36
FIGURE 2-6. BRAKE AND EMERGENCY VALVE MANIFOLD	38
FIGURE 2-7. HAND PUMP ASSEMBLY	40
FIGURE 2-8. MAIN TERMINAL BOX ASSEMBLY	42
FIGURE 2-9. LEFT SIDE COMPONENTS INSTALLATION.....	44
FIGURE 2-10. ENGINE INSTALLATION.....	46
FIGURE 2-11. HOODS INSTALLATION	50
SECTION 3 - SCISSORS ARMS	53
FIGURE 3-1. SCISSORS ARMS INSTALLATION.....	54
SECTION 4 - PLATFORM.....	61
FIGURE 4-1. PLATFORM AND ACCESSORIES INSTALLATION.....	62
FIGURE 4-2. PLATFORM CONSOLE ASSEMBLY AND INSTALLATION.....	68
FIGURE 4-3. DRIVE/STEER CONTROLLER ASSEMBLY	70
SECTION 5 - CYLINDER.....	73
FIGURE 5-1. AXLE LOCKOUT CYLINDER ASSEMBLY	74
FIGURE 5-2. LEVELING CYLINDER ASSEMBLY	76
FIGURE 5-3. LIFT CYLINDER ASSEMBLY	78
FIGURE 5-4. PLATFORM EXTENSION CYLINDER ASSEMBLY	80
FIGURE 5-5. STEERING CYLINDER ASSEMBLY	82
SECTION 6 - HYDRAULIC	85
FIGURE 6-1. HYDRAULIC DIAGRAM (SN 1200022107 through 1200023452)	86
FIGURE 6-2. HYDRAULIC DIAGRAM (SN 1200023453 to Present)	92
SECTION 7 - ELECTRICAL	99
FIGURE 7-1. ELECTRICAL PLANS - DIESEL CONTROL.....	100
FIGURE 7-2. HARNESS COMPONENTS INSTALLATION.....	120
SECTION 8 - DECALS.....	125
FIGURE 8-1. DECAL INSTALLATION.....	126

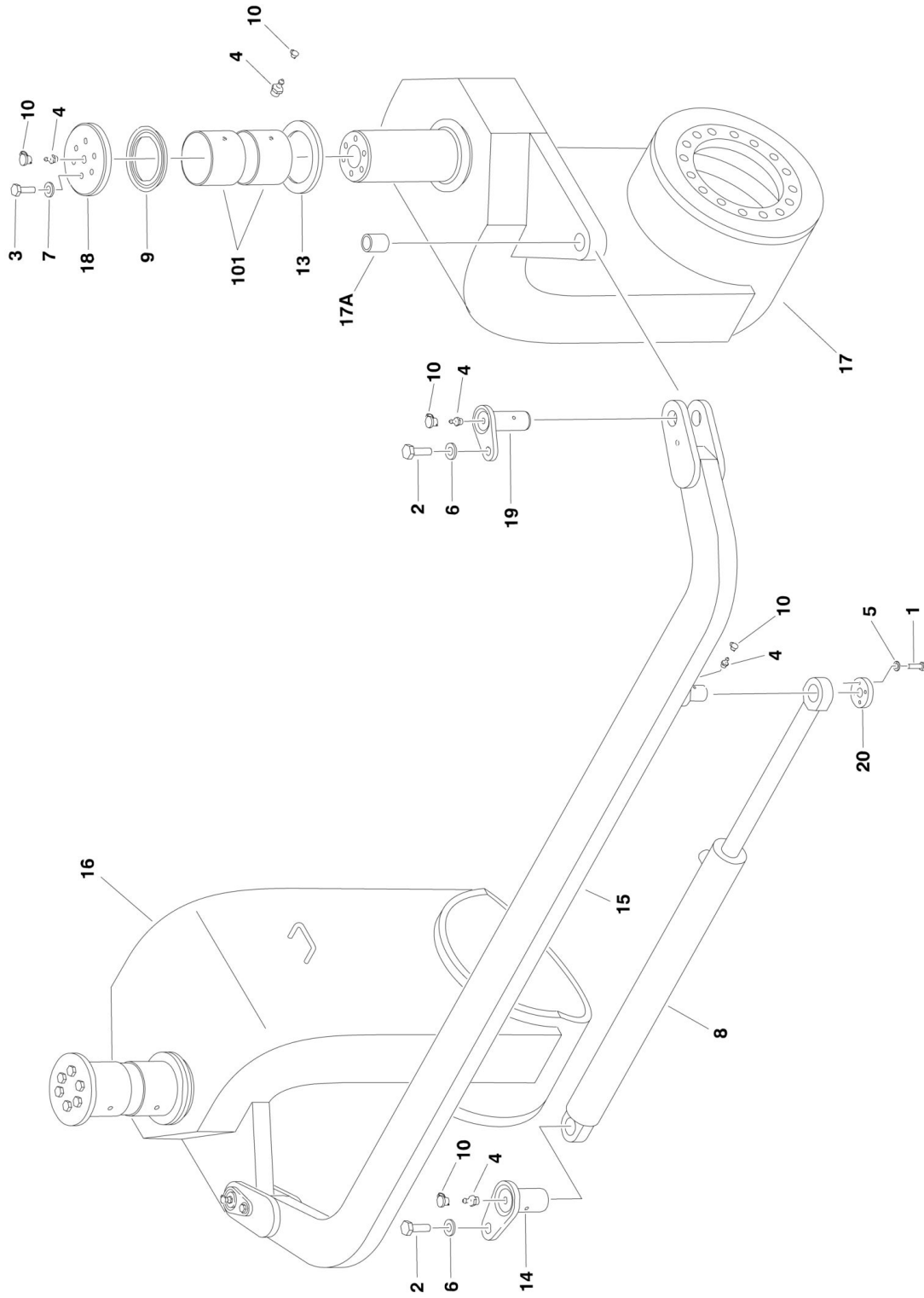
TABLE OF CONTENTS

SECTION 9 - RECOMMENDED SERVICE PARTS STOCK	129
FIGURE 9-1. MODEL 260-25 STANDARD PARTS	130
FIGURE 9-2. MODEL 260-25 VARIABLE PARTS	132
SECTION 10 - SPECIAL OPTIONS	133
FIGURE 10-1. SPECIAL OPTIONS	134
PART NUMBER INDEX.....	135

SECTION 1 - FRAME

SECTION 1 - FRAME

FIGURE 1-1. STEERING INSTALLATION



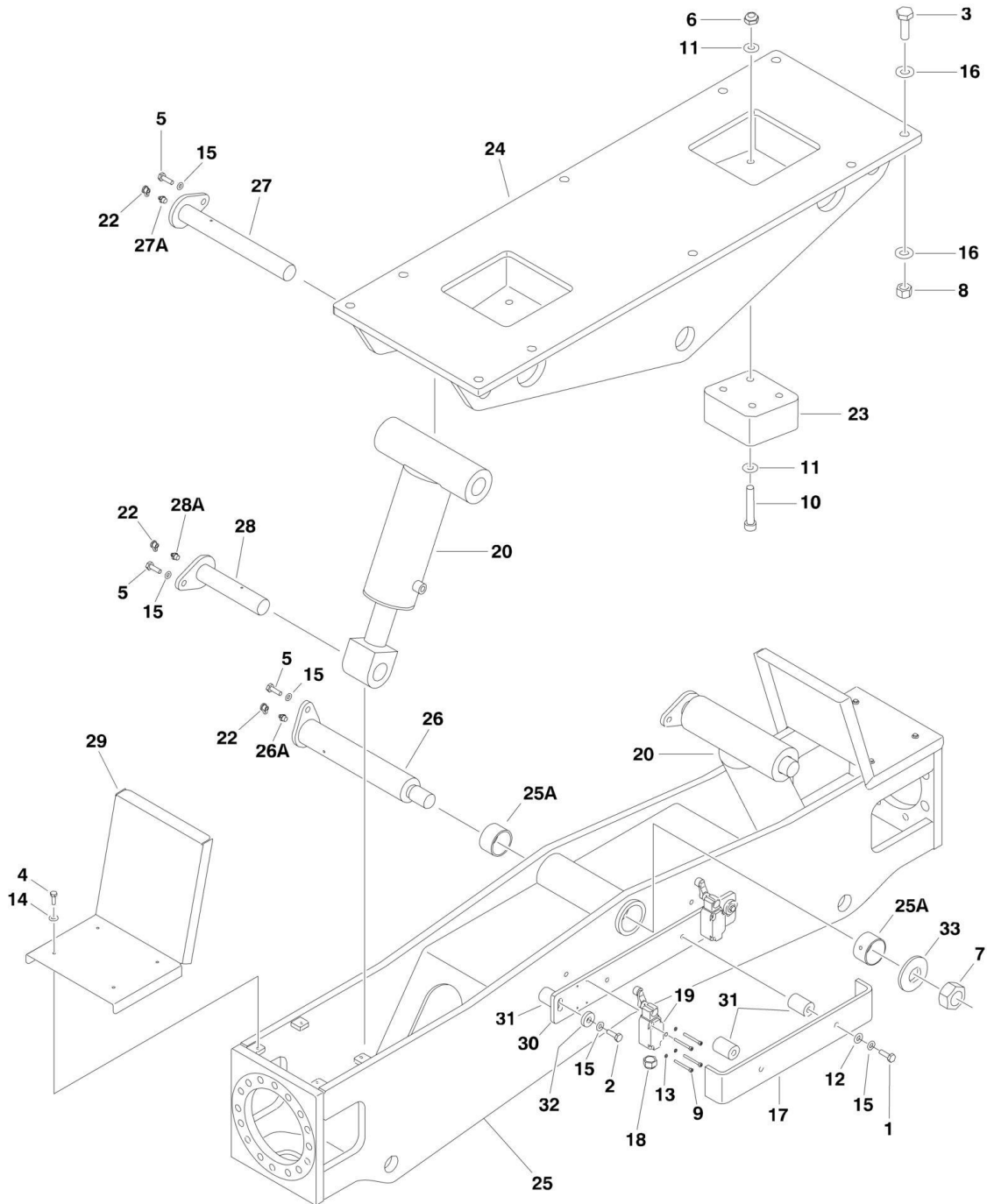
SECTION 1 - FRAME

FIGURE 1-1. STEERING INSTALLATION

ITEM	PART NUMBER	QTY	DESCRIPTION	REV
	1001091888	Ref	STEERING INSTALLATION	D
1	0760812	4	Bolt M8 x 25mm	
2	0761212	3	Bolt M12 x 25mm	
3	0761618	12	Bolt M16 x 40mm	
4	2160016	6	Fitting, Grease	
5	4831900	4	Lockwasher M8	
6	4832100	3	Lockwasher M12	
7	4832300	12	Lockwasher M16	
8	H000624	1	Steer Cylinder Assembly (See CYLINDER SECTION for Breakdown)	
9	H003190	2	Seal	
10	S000142	6	Cap, Grease Fitting	
13	S200247	2	Thrust Washer	
14	S200543	1	Pin	
15	S200544	1	Tie Bar	
16	S200545	1	Spindle (Right)	
16A	S001553	1	Bushing (Not Shown)	
17	S200546	1	Spindle (Left)	
17A	S001553	1	Bushing	
18	S200547	2	Cap	
19	S200548	2	Pin	
20	S900160	1	Plate, Washer	
	S900156	Ref	FRAME WELDMENT	F
101	S005002	4	Bushing	

SECTION 1 - FRAME

FIGURE 1-2. REAR AXLE INSTALLATION



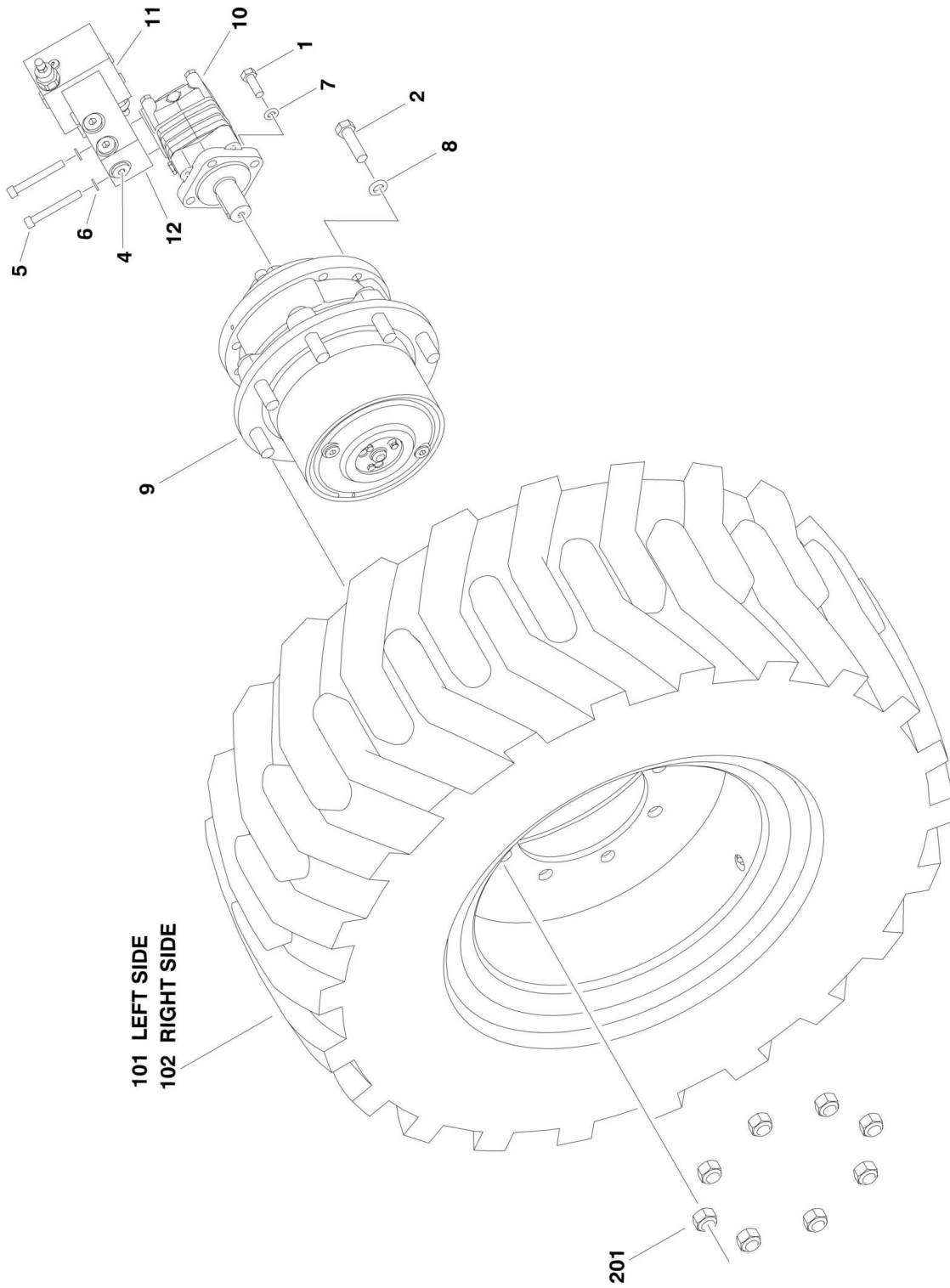
SECTION 1 - FRAME

FIGURE 1-2. REAR AXLE INSTALLATION

ITEM	PART NUMBER	QTY	DESCRIPTION	REV
	1001091982	Ref	REAR AXLE INSTALLATION	C
1	0701223	2	Bolt M12 x 75mm	
2	0701226	2	Bolt M12 x 90mm	
3	0712024	10	Bolt M20 x 80mm	
4	0760810	8	Bolt M8 x 16mm	
5	0761214	5	Bolt M12 x 30mm	
6	3291005	8	Locknut M10	
7	3293605	1	Locknut M36	
8	3332011	10	Nut M20	
9	4031612	8	Capscrew M5 x 40mm	
10	4032018	8	Capscrew M10 x 70mm	
11	4812000	16	Flatwasher M10	
12	4812100	2	Flatwasher M12	
13	4831600	8	Lockwasher M5	
14	4831900	8	Lockwasher M8	
15	4832100	9	Lockwasher M12	
16	5242000	20	Flatwasher M20 Hardened	
17	1001092011	1	Plate, Switch Cover	
18	E000269	2	Relief, Strain	
19	E000376	2	Switch, Limit	
20	H000623	2	Axle Lockout Cylinder Assembly (See CYLINDER SECTION for Breakdown)	
22	S000142	5	Cap, Grease Fitting	
23	S005030	2	Bumper	
24	S200550	1	Weldment, Axle Mounting	
25	S200551	1	Axle	
25A	S000050	2	Bushing	
26	S200552	1	Pin, Axle Pivot	
26A	2160016	1	Fitting, Grease	
27	S200553	2	Pin, Upper Axle Lockout Cylinder	
27A	2160016	2	Fitting, Grease (1 per Pin)	
28	S200554	2	Pin, Lower Axle Lockout Cylinder	
28A	2160016	2	Fitting, Grease (1 per Pin)	
29	S200555	2	Shield	
30	S900161	1	Plate, Switch Mounting	
31	S900189	4	Spacer	
32	S900211	2	Spacer	
33	S900231	1	Washer	

SECTION 1 - FRAME

FIGURE 1-3. WHEEL DRIVE INSTALLATION



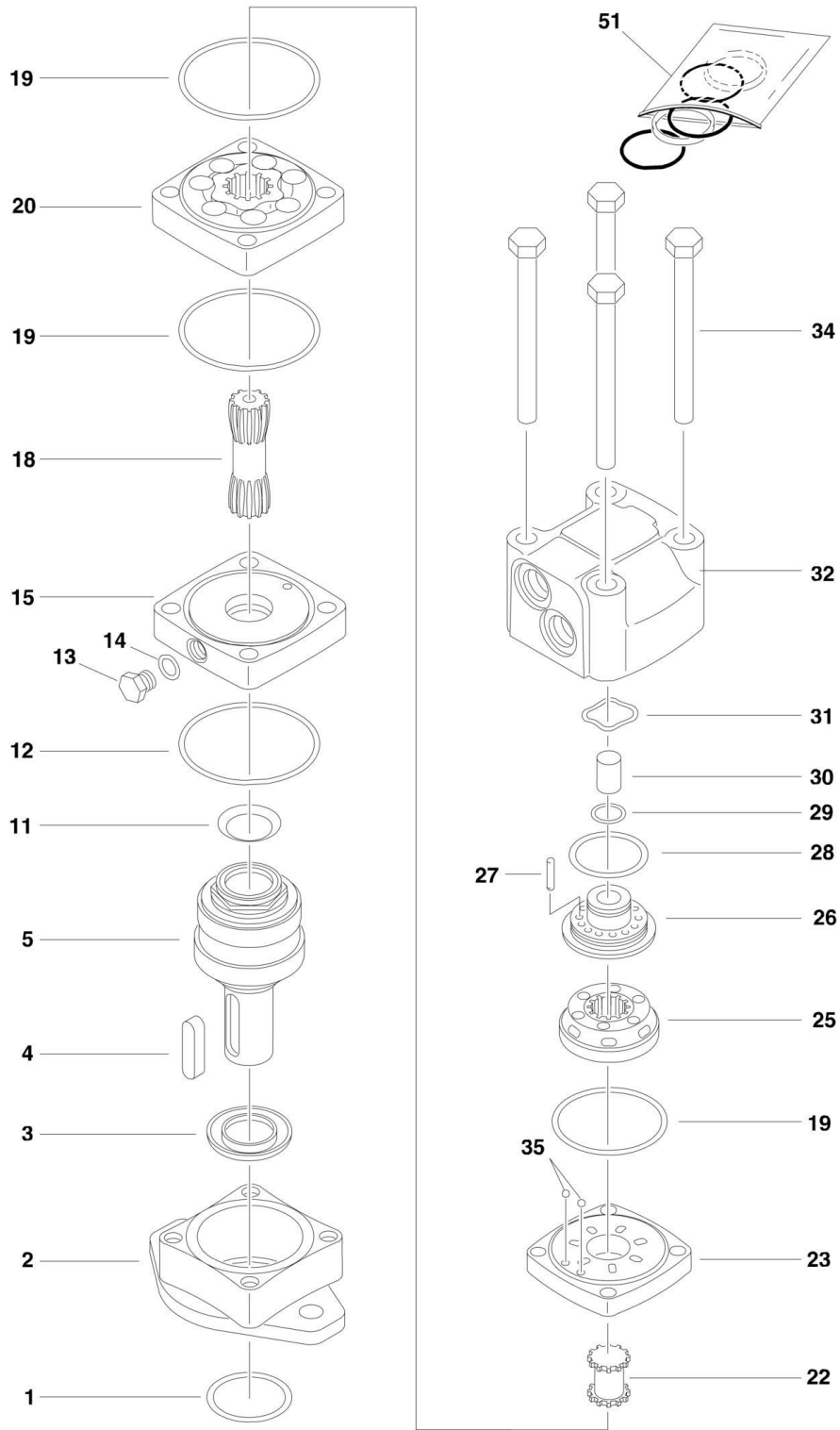
SECTION 1 - FRAME

FIGURE 1-3. WHEEL DRIVE INSTALLATION

ITEM	PART NUMBER	QTY	DESCRIPTION	REV
	1001092063	Ref	WHEEL DRIVE INSTALLATION	C
1	0761215	16	Bolt M12 x 35mm	
2	0771618	48	Bolt M16 x 50mm	
4	2143807	6	Plug (Front Only)	
5	4032020	4	Capscrew M10 x 80mm (Front Only)	
6	4832000	4	Lockwasher M10 (Front Only)	
7	4832100	16	Lockwasher M12	
8	5241600	48	Flatwasher M16, Hardened	
9	H000214	4	Drive Hub Assembly (See DRIVE HUB ASSEMBLY for Breakdown)	
10	H000215	4	Drive Motor Assembly (See DRIVE MOTOR ASSEMBLY for Breakdown)	
11	H005451	2	Valve Assembly, Brake (No Serviceable Components - Front Only)	
12	H005624	2	Plate, Adapter (Front Only)	
	1001092112	Ref	TIRE AND WHEEL INSTALLATION	A
101	1001092077	2	Wheel and Tire Assembly - Foam Filled (Left Side)	
102	1001092078	2	Wheel and Tire Assembly - Foam Filled (Right Side)	
		Ref	Note: Assemblies may require ballast/foam filling to manufacturer's specifications prior to installing on a machine. Refer to Operation and Safety or Service and Maintenance Manuals. Purchase individual tire and/or rim only if able to foam fill tire and wheel assembly, otherwise, purchase complete assembly.	
102	70000157	4	Wheel (1 per Assembly)	
102	70000155	4	Tire (1 per Assembly)	
102	70000156	4	Tube (1 per Assembly)	
102	70000158	4	Flap (1 per Assembly)	
	H000214	Ref	DRIVE HUB ASSEMBLY	B
201	S003992	32	Lug Nut	

SECTION 1 - FRAME

FIGURE 1-4. DRIVE MOTOR ASSEMBLY



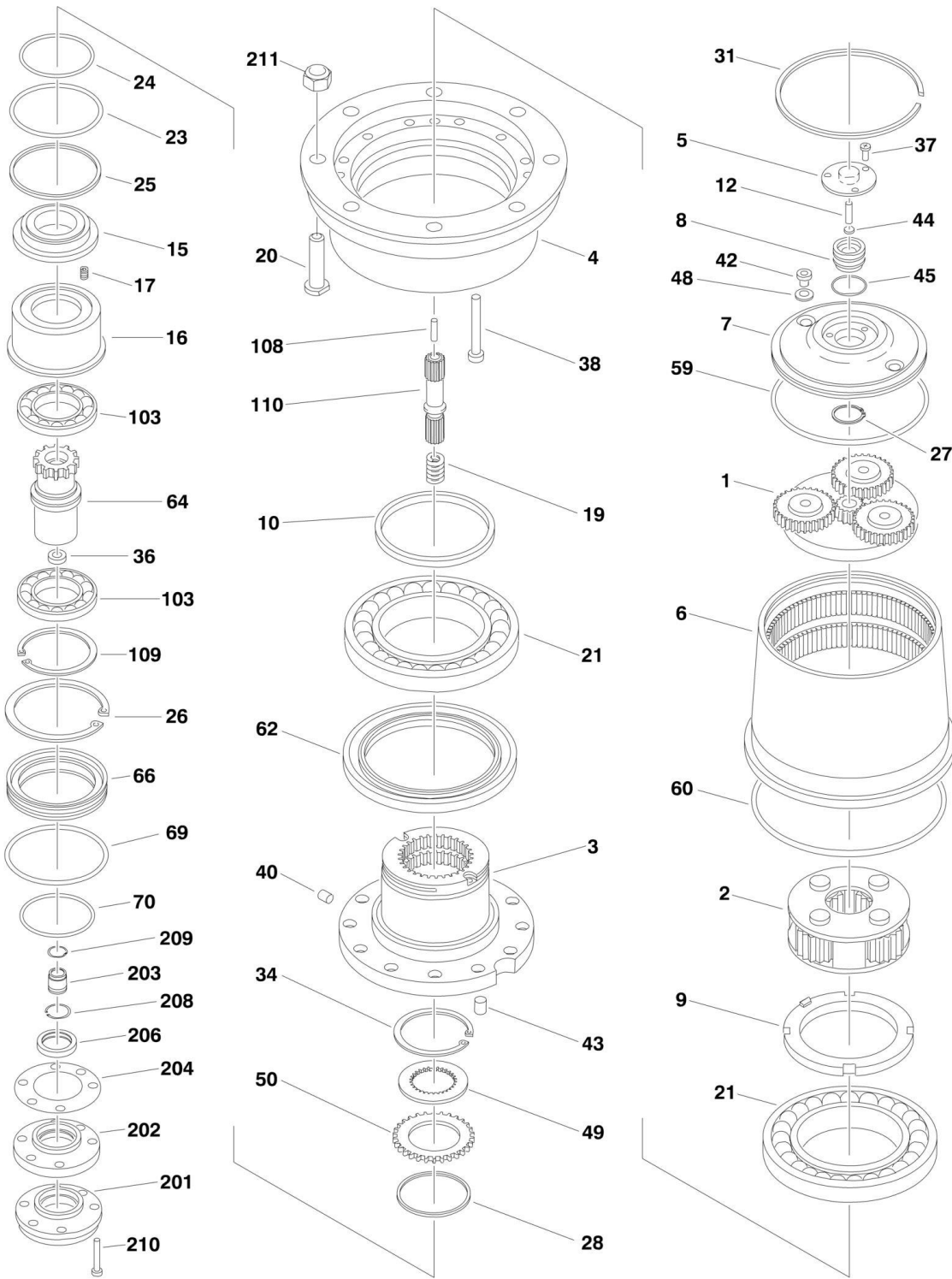
SECTION 1 - FRAME

FIGURE 1-4. DRIVE MOTOR ASSEMBLY

ITEM	PART NUMBER	QTY	DESCRIPTION	REV
	H000215	Ref	DRIVE MOTOR ASSEMBLY	C
1	Item 51	1	Seal, Dust	
2	Not Available	1	Flange, Mounting	
3	Item 51	1	Seal, Shaft	
4	7027950	1	Key	
5	7027951	1	Shaft	
11	Item 51	1	Ring, Seal	
12	Item 51	1	O-Ring	
13	7027952	1	Plug, Drain	
14	7027938	1	Washer	
15	Not Available	1	Plate, Intermediate	
18	7027953	1	Shaft, Cardan	
19	Item 51	3	O-Ring	
20	Not Available	1	Gear Set	
22	7027954	1	Drive, Valve	
23	Not Available	1	Plate, Channel	
25	7027955	1	Disc, Valve	
26	7027956	1	Plate, Balance	
27	7027957	1	Pin, Guide	
28	Item 51	1	O-Ring	
29	Item 51	1	O-Ring	
30	7027958	1	Spacer	
31	7027959	1	Spring Washer	
32	Not Available	1	Housing, Valve	
34	Not Available	4	Screw M10 x 130mm	
35	80334555	2	Ball, Check	
51	7027960	1	Seal Kit - (Includes Items 1, 3, 11, 12, 19, 28 & 29)	

SECTION 1 - FRAME

FIGURE 1-5. DRIVE HUB ASSEMBLY



SECTION 1 - FRAME

FIGURE 1-5. DRIVE HUB ASSEMBLY

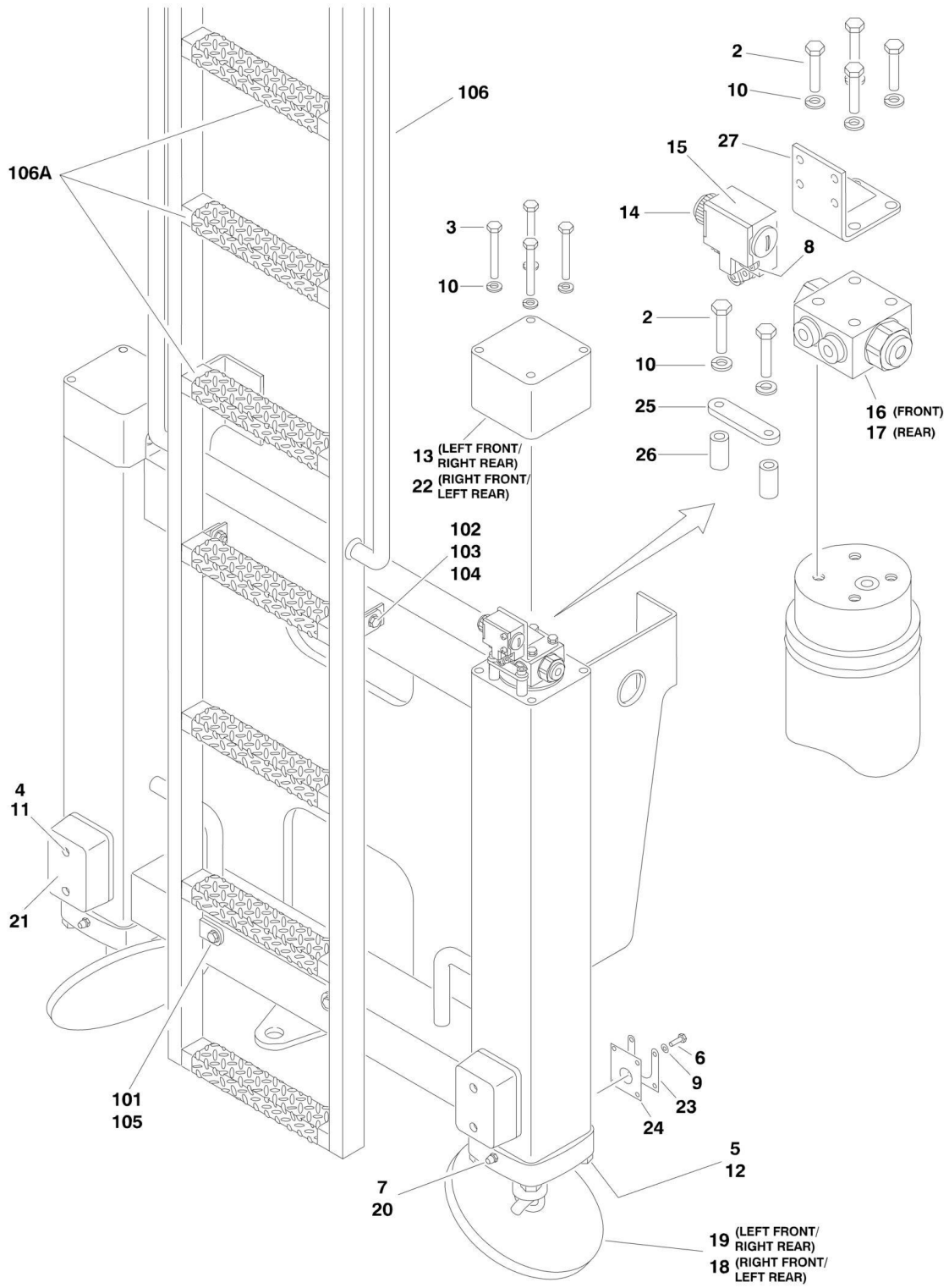
ITEM	PART NUMBER	QTY	DESCRIPTION	REV
	H000214	Ref	DRIVE HUB ASSEMBLY	D
1	70000394	1	Reduction Carrier	
2	70000629	1	Reduction Carrier	
3	70000395	1	Spindle	
4	70000396	1	Hub	
5	70000397	1	Disconnect Cap	
6	70000398	1	Gear Ring	
7	70000399	1	Cover	
8	70000400	1	Thrust Washer	
9	70000401	1	Lock Nut	
10	70000402	1	Spacer	
12	70000403	1	Pin	
15	70000404	1	Piston	
16	70000405	1	Gearcase Half	
17	70000241	12	Spring	
19	70000406	1	Spring	
20	70000407	8	Stud	
21	70000408	2	Bearing	
23	70000409	1	O-Ring	
24	70000257	1	O-Ring	
25	70000410	1	Wear Ring	
26	70000411	1	Circlip	
27	70000412	1	Circlip	
28	70000256	1	Wear Ring	
31	70000413	1	Retaining Ring	
34	70000414	1	Circlip	
36	70000415	1	Pressure Plug	
37	70000416	3	Screw	
38	70000417	15	Screw	
40	70000418	2	Expansion Plug	
42	70000419	2	Plug	
43	70000420	1	Plug	
44	70000421	1	O-Ring	
45	70000422	1	O-Ring	
48	70000423	2	Washer	
49	70000424	7	Steel Disc	
50	70000425	6	Bronze Disc	
59	70000426	1	O-Ring	
60	70000427	1	O-Ring	
62	70000428	1	Oil Seal	
64	70000429	1	Shaft	
66	70000430	1	Spacer	
69	70000431	1	O-Ring	
70	70000432	1	O-Ring	
103	70000433	2	Bearing	
108	70000630	1	Pin	
109	70000434	1	Internal Circlip	
110	70000631	1	Shaft	
201	70000387	1	Flange	
202	70000388	1	Spacer	

SECTION 1 - FRAME

ITEM	PART NUMBER	QTY	DESCRIPTION	REV
203	70000389	1	Coupling	
204	70000390	1	Gasket	
206	70000391	1	Oil Seal	
208	70000392	1	Circlip	
209	70000393	1	Circlip	
210	4032113	4	Bolt M12 x 45mm	
211	S003992	32	Lug Nut	

SECTION 1 - FRAME

FIGURE 1-6. LADDER AND LEVELING CYLINDERS INSTALLATION



SECTION 1 - FRAME

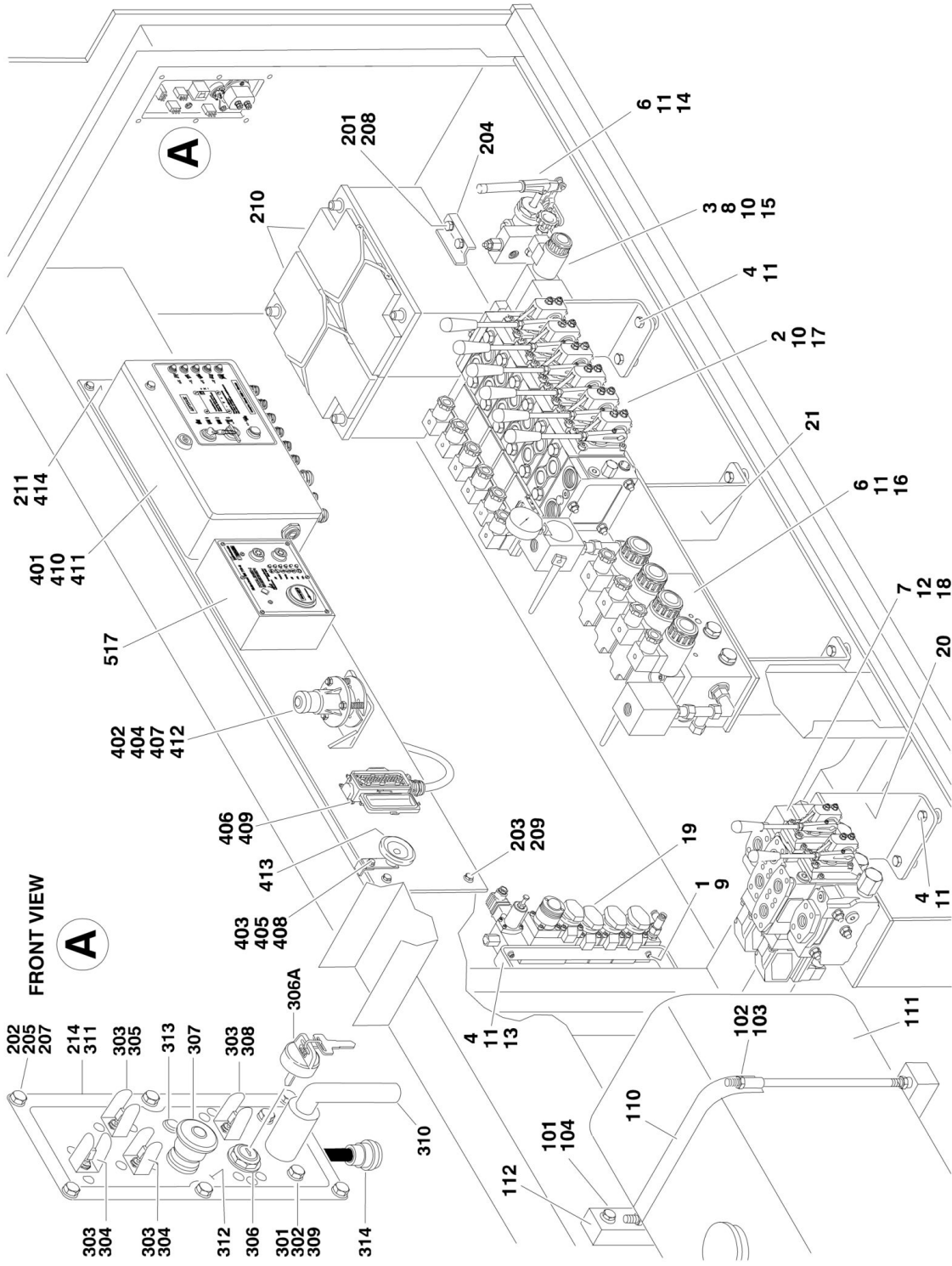
FIGURE 1-6. LADDER AND LEVELING CYLINDERS INSTALLATION

ITEM	PART NUMBER	QTY	DESCRIPTION	REV
	1001092376	Ref	LEVELING CYLINDERS INSTALLATION	B
2	0700818	24	Bolt M8 x 50mm	
3	0700833	16	Bolt M8 x 160mm	
4	0701020	16	Bolt M10 x 60mm	
5	0701627	16	Bolt M16 x 100mm	
6	0760608	16	Bolt M6 x 16mm	
7	2160016	4	Fitting, Grease	
8	4031510	16	Bolt M4 x 30mm	
9	4831700	16	Lockwasher M6	
10	4831900	40	Lockwasher M8	
11	4832000	16	Lockwasher M10	
12	4832300	16	Lockwasher M16	
13	1001092416	2	Cover, Switch (Left Front, Right Rear)	
14	E000269	4	Gland, Cable	
15	E000359	4	Switch, Limit	
16	H000558	2	Valve, Leveling Cylinder (8 Bar)	
17	H000559	2	Valve, Leveling Cylinder (1 Bar)	
18	H000621	2	Cylinder Assembly, Leveling (Right Front, Left Rear) (See CYLINDER SECTION for Breakdown)	
19	H000622	2	Cylinder Assembly, Leveling (Left Front, Right Rear) (See CYLINDER SECTION for Breakdown)	
20	S000142	4	Cap, Grease Fitting	
21	S005030	4	Bumper	
22	S200557	2	Cover, Switch (Right Front, Left Rear)	
23	S900157	4	Plate	
24	S900158	4	Gasket	
25	S900165	4	Plate	
26	S900166	8	Spacer	
27	S900167	4	Bracket, Switch	
	1001092775	Ref	LADDER INSTALLATION	B
101	0761010	2	Bolt M10 x 20mm	
102	0761014	2	Bolt M10 x 30mm	
103	3291005	2	Locknut M10	
104	4812000	4	Flatwasher M10	
105	4832000	2	Lockwasher M10	
106	S000216	1	Ladder	
106A	3820510	34	Rivet	
106A	S004501	1	Tread Plate (Used on Top Step)	
106A	S004500	10	Tread Plate	

SECTION 2 - GROUND CONTROLS

SECTION 2 - GROUND CONTROLS

FIGURE 2-1. RIGHT SIDE COMPONENTS INSTALLATION (SN 1200022107 through 1200023452)



SECTION 2 - GROUND CONTROLS

FIGURE 2-1. RIGHT SIDE COMPONENTS INSTALLATION (SN 1200022107 through 1200023452)

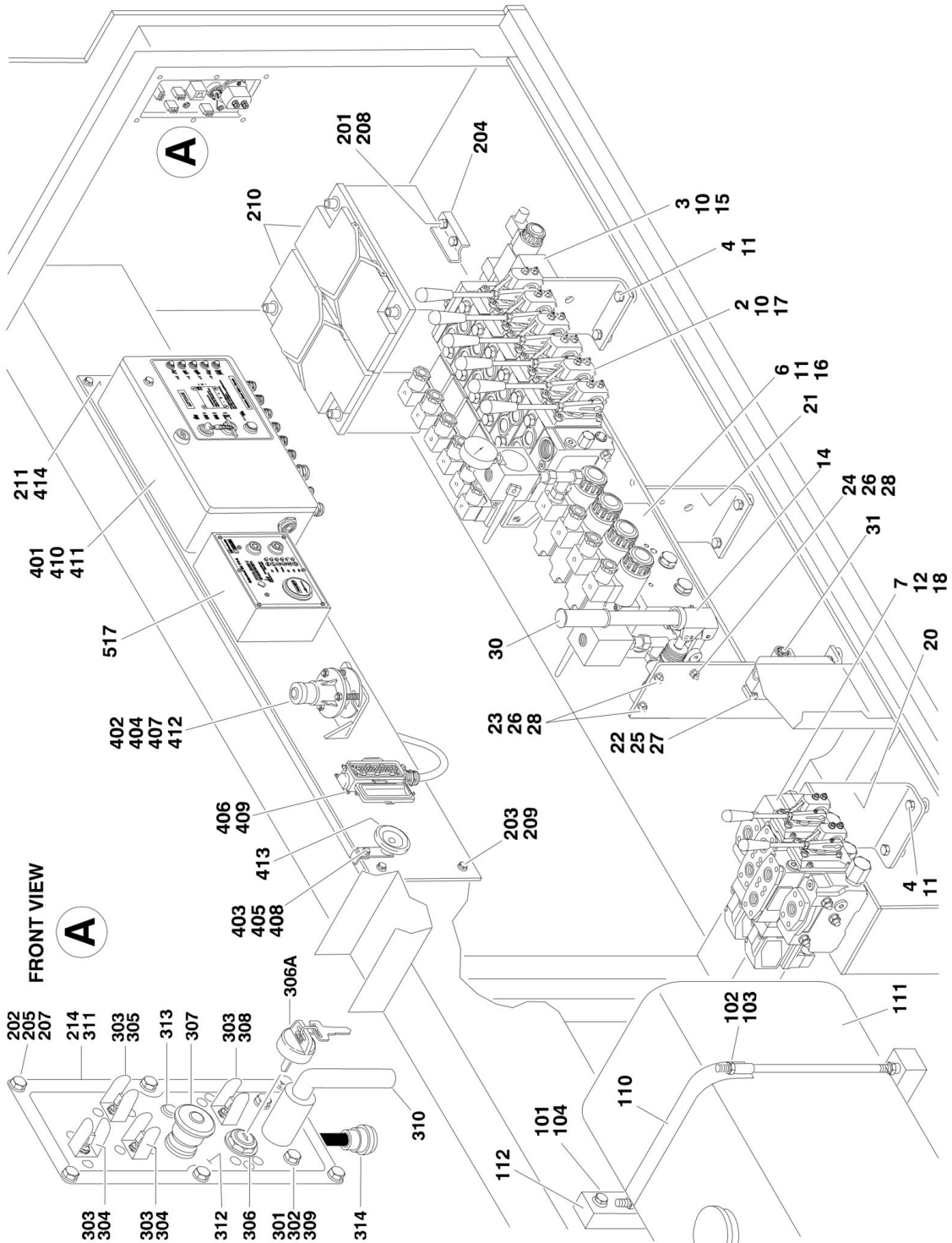
ITEM	PART NUMBER	QTY	DESCRIPTION	REV
	1001092135	Ref	VALVES INSTALLATION	B
1	0760605	2	Bolt M6 x 10mm	
2	0760812	4	Bolt M8 x 25mm	
3	0760814	2	Bolt M8 x 30mm	
4	0761010	12	Bolt M10 x 20mm	
6	0761014	8	Bolt M10 x 30mm	
7	0761212	4	Bolt M12 x 25mm	
8	3291001	2	Nut M10	
9	4831700	2	Lockwasher M6	
10	4831900	6	Lockwasher M8	
11	4832000	20	Lockwasher M10	
12	4832100	4	Lockwasher M12	
13	1001092153	1	Bracket, Brake and Emergency Valve Manifold	
14	H000285	1	Pump, Hand (See HAND PUMP ASSEMBLY for Breakdown)	
15	H000370	1	Steer Valve (No Serviceable Parts Available)	
16	H000436	1	Drive Valve Assembly (See DRIVE VALVE ASSEMBLY for Breakdown)	
17	H000699	1	Main Valve Bank Assembly (Drive/Extend/Outrigger) (See MAIN VALVE ASSEMBLY (DRIVE/EXTEND/OUTRIGGER) for Breakdown)	
18	H000700	1	Main Valve Bank Assembly (Drive/Lift/Axle Lockout) (See MAIN VALVE ASSEMBLY (DRIVE/LIFT/AXLE LOCKOUT) for Breakdown)	
19	H000707	1	Brake and Emergency Valve Manifold (See BRAKE AND EMERGENCY VALVE MANIFOLD for Breakdown)	
20	S200562	1	Bracket, Main Valve (Drive/Lift/Axle Lockout)	
21	S200564	1	Bracket, Main Valve (Drive/Extend/Outrigger)	
	1001092215	Ref	FUEL TANK INSTALLATION	A
101	0701022	4	Bolt M10 x 70mm	
102	3290805	2	Locknut M8	
103	4831900	4	Lockwasher M8	
104	4832000	4	Lockwasher M10	
105	H000038	5 m/17ft	Fuel Hose, 5.5x10mm (Not Shown)	
106	H000039	5 m/17ft	Fuel Hose, 7.5x12.5mm (Not Shown)	
107	H000040	4	Clamp, Hose (Not Shown)	
108	H000048	1	Fitting, Fuel Hose (Return - Not Shown)	
109	H000049	1	Fitting, Fuel Hose (Feed - Not Shown)	
110	H000051	2	Strap, Fuel Tank Mounting	
111	H000412	1	Fuel Tank	
111	70000902	1	Cap, Fuel	
112	S200559	2	Bracket, Fuel Tank Mounting	
	1001092496	Ref	GROUND CONTROL INSTALLATION	A
201	0700815	4	Bolt M8 x 35mm	
202	0760612	6	Bolt M6 x 25mm	
203	0761010	4	Bolt M10 x 20mm	
204	1787217	2	Clamp, Battery Hold-Down	
205	3290605	6	Locknut M6	
207	4811700	12	Flatwasher M6	
208	4831900	4	Lockwasher M8	
209	4832000	4	Lockwasher M10	
210	8008750	2	Battery	

SECTION 2 - GROUND CONTROLS

ITEM	PART NUMBER	QTY	DESCRIPTION	REV
211	1001092500	1	Electrical Tray Assembly (See Items 401-414 for Breakdown)	
213	E000072	6 m/20ft	Loom / Shield, Cable (Not Shown)	
214	E900032	1	Ground Control Panel Assembly (See Items 301-314 for Breakdown)	
	E900032	Ref	GROUND CONTROL PANEL ASSEMBLY	E
301	0760608	2	Bolt M6 x 16mm	
302	3290605	2	Locknut M6	
303	4060802	4	Guard, Switch	
304	4360314	2	Switch, Toggle	
305	4360671	1	Switch, Toggle	
306	4360469	1	Switch, Key	
306A	2860030	1	Key, Replacement	
307	4360475	1	Switch, Emergency Stop	
307	7020176	1	Block, Contact	
308	4360698	1	Switch, Toggle	
309	4811700	4	Flatwasher M6	
310	E000059	1	Switch, Battery Isolator	
310	70001114	1	Handle	
311	E900033	1	Plate, Switch Mounting	
312	E900034	1	Decal, Ground Control	
313	E900048	1	Light, Indicator	
314	E900055	1	Harness, Ground Control (See ELECTRICAL SECTION for Breakdown)	
	1001092500	Ref	ELECTRICAL TRAY ASSEMBLY	B
401	0760605	4	Bolt M6 x 10mm	
402	0760610	4	Bolt M6 x 20mm	
403	0760810	1	Bolt M8 x 20mm	
404	3290605	4	Locknut M6	
405	3290805	1	Locknut M8	
406	4031605	4	Capscrew M5 x 10mm	
407	4811700	8	Flatwasher M6	
408	4811900	2	Flatwasher M8	
409	4831600	4	Lockwasher M5	
410	4831700	4	Lockwasher M6	
411	1001092947	1	Terminal Box Assembly (See MAIN TERMINAL BOX ASSEMBLY for Breakdown)	
412	E000044	1	Switch, Tilt	
413	E000063	1	Horn	
414	S200265	1	Panel, Electrical Carrier	
	1001092322	Ref	ENGINE INSTALLATION	D
517	1001094781	1	Control Box, Deutz Engine	
517	70001352	1	PC Board with LEDs	
517	70001353	1	E-Prom w/Software	
517	70001355	1	Diode	
517	70000634	1	Hourmeter	
517	70000635	2	Switch, Pushbutton	
517	70001122	4	Mount, Vibration	

SECTION 2 - GROUND CONTROLS

FIGURE 2-2. RIGHT SIDE COMPONENTS INSTALLATION (SN 1200023453 to Present)



SECTION 2 - GROUND CONTROLS

FIGURE 2-2. RIGHT SIDE COMPONENTS INSTALLATION (SN 1200023453 to Present)

ITEM	PART NUMBER	QTY	DESCRIPTION	REV
	1001092135	Ref	VALVES INSTALLATION	C
2	0760812	4	Bolt M8 x 25mm	
3	0760810	2	Bolt M8 x 20mm	
4	0761010	10	Bolt M10 x 20mm	
6	0761014	4	Bolt M10 x 30mm	
7	0761212	4	Bolt M12 x 25mm	
10	4831900	6	Lockwasher M8	
11	4832000	14	Lockwasher M10	
12	4832100	4	Lockwasher M12	
14	320066	1	Pump, Hand (No Breakdown Available at Time of Printing)	
15	H000370	1	Steer Valve (No Serviceable Parts Available)	
16	H000436	1	Drive Valve Assembly (See DRIVE VALVE ASSEMBLY for Breakdown)	
17	H000699	1	Main Valve Bank Assembly (Drive/Extend/Outrigger) (See MAIN VALVE ASSEMBLY (DRIVE/EXTEND/OUTRIGGER) for Breakdown)	
18	H000700	1	Main Valve Bank Assembly (Drive/Lift/Axle Lockout) (See MAIN VALVE ASSEMBLY (DRIVE/LIFT/AXLE LOCKOUT) for Breakdown)	
20	S200562	1	Bracket, Main Valve (Drive/Lift/Axle Lockout)	
21	1001107461	1	Bracket, Main Valve (Drive/Extend/Outrigger)	
22	0700617	2	Bolt M6 x 45mm	
23	0700817	2	Bolt M8 x 45mm	
24	0700820	1	Bolt M8 x 60mm	
25	3290605	2	Locknut M6	
26	3290805	3	Locknut M8	
27	4811700	2	Flatwasher M6	
28	4811900	3	Flatwasher M8	
30	DL0113	1	Lever, Pump Handle	
31	H000019	1	Solenoid Valve	
31	7012986	1	Coil	
31	7012941	1	Cartridge	
31	7010543	1	Seal Kit - 7012941 Cartridge	
	1001092215	Ref	FUEL TANK INSTALLATION	A
101	0701022	4	Bolt M10 x 70mm	
102	3290805	2	Locknut M8	
103	4831900	4	Lockwasher M8	
104	4832000	4	Lockwasher M10	
105	H000038	5 m/17ft	Fuel Hose, 5.5x10mm (Not Shown)	
106	H000039	5 m/17ft	Fuel Hose, 7.5x12.5mm (Not Shown)	
107	H000040	4	Clamp, Hose (Not Shown)	
108	H000048	1	Fitting, Fuel Hose (Return - Not Shown)	
109	H000049	1	Fitting, Fuel Hose (Feed - Not Shown)	
110	H000051	2	Strap, Fuel Tank Mounting	
111	H000412	1	Fuel Tank	
111	70000902	1	Cap, Fuel	
112	S200559	2	Bracket, Fuel Tank Mounting	
	1001092496	Ref	GROUND CONTROL INSTALLATION	A
201	0700815	4	Bolt M8 x 35mm	
202	0760612	6	Bolt M6 x 25mm	
203	0761010	4	Bolt M10 x 20mm	

SECTION 2 - GROUND CONTROLS

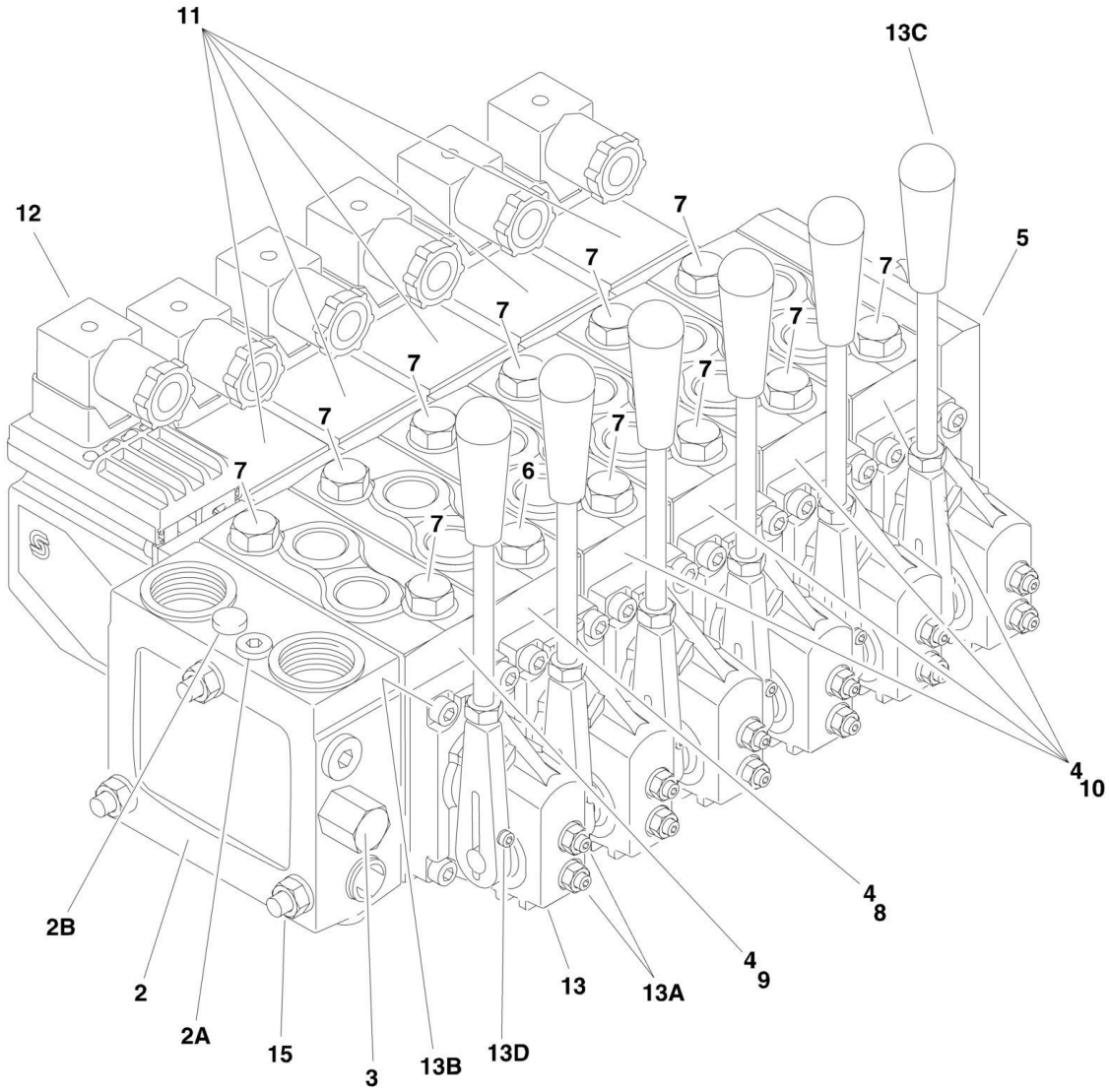
ITEM	PART NUMBER	QTY	DESCRIPTION	REV
204	1787217	2	Clamp, Battery Hold-Down	
205	3290605	6	Locknut M6	
207	4811700	12	Flatwasher M6	
208	4831900	4	Lockwasher M8	
209	4832000	4	Lockwasher M10	
210	8008750	2	Battery	
211	1001092500	1	Electrical Tray Assembly (See Items 401-414 for Breakdown)	
213	E000072	6 m/20ft	Loom / Shield, Cable (Not Shown)	
214	E900032	1	Ground Control Panel Assembly (See Items 301-314 for Breakdown)	
	E900032	Ref	GROUND CONTROL PANEL ASSEMBLY	E
301	0760608	2	Bolt M6 x 16mm	
302	3290605	2	Locknut M6	
303	4060802	4	Guard, Switch	
304	4360314	2	Switch, Toggle	
305	4360671	1	Switch, Toggle	
306	4360469	1	Switch, Key	
306A	2860030	1	Key, Replacement	
307	4360475	1	Switch, Emergency Stop	
307	7020176	1	Block, Contact	
308	4360698	1	Switch, Toggle	
309	4811700	4	Flatwasher M6	
310	E000059	1	Switch, Battery Isolator	
310	70001114	1	Handle	
311	E900033	1	Plate, Switch Mounting	
312	E900034	1	Decal, Ground Control	
313	E900048	1	Light, Indicator	
314	E900055	1	Harness, Ground Control (See ELECTRICAL SECTION for Breakdown)	
	1001092500	Ref	ELECTRICAL TRAY ASSEMBLY	B
401	0760605	4	Bolt M6 x 10mm	
402	0760610	4	Bolt M6 x 20mm	
403	0760810	1	Bolt M8 x 20mm	
404	3290605	4	Locknut M6	
405	3290805	1	Locknut M8	
406	4031605	4	Capscrew M5 x 10mm	
407	4811700	8	Flatwasher M6	
408	4811900	2	Flatwasher M8	
409	4831600	4	Lockwasher M5	
410	4831700	4	Lockwasher M6	
411	1001092947	1	Terminal Box Assembly (See MAIN TERMINAL BOX ASSEMBLY for Breakdown)	
412	E000044	1	Switch, Tilt	
413	E000063	1	Horn	
414	S200265	1	Panel, Electrical Carrier	
	1001092322	Ref	ENGINE INSTALLATION	D
517	1001094781	1	Control Box, Deutz Engine	
517	70001352	1	PC Board with LEDs	
517	70001353	1	E-Prom w/Software	
517	70001355	1	Diode	
517	70000634	1	Hourmeter	
517	70000635	2	Switch, Pushbutton	

SECTION 2 - GROUND CONTROLS

ITEM	PART NUMBER	QTY	DESCRIPTION	REV
517	70001122	4	Mount, Vibration	

SECTION 2 - GROUND CONTROLS

FIGURE 2-3. MAIN VALVE ASSEMBLY (DRIVE/EXTEND/OUTRIGGER)



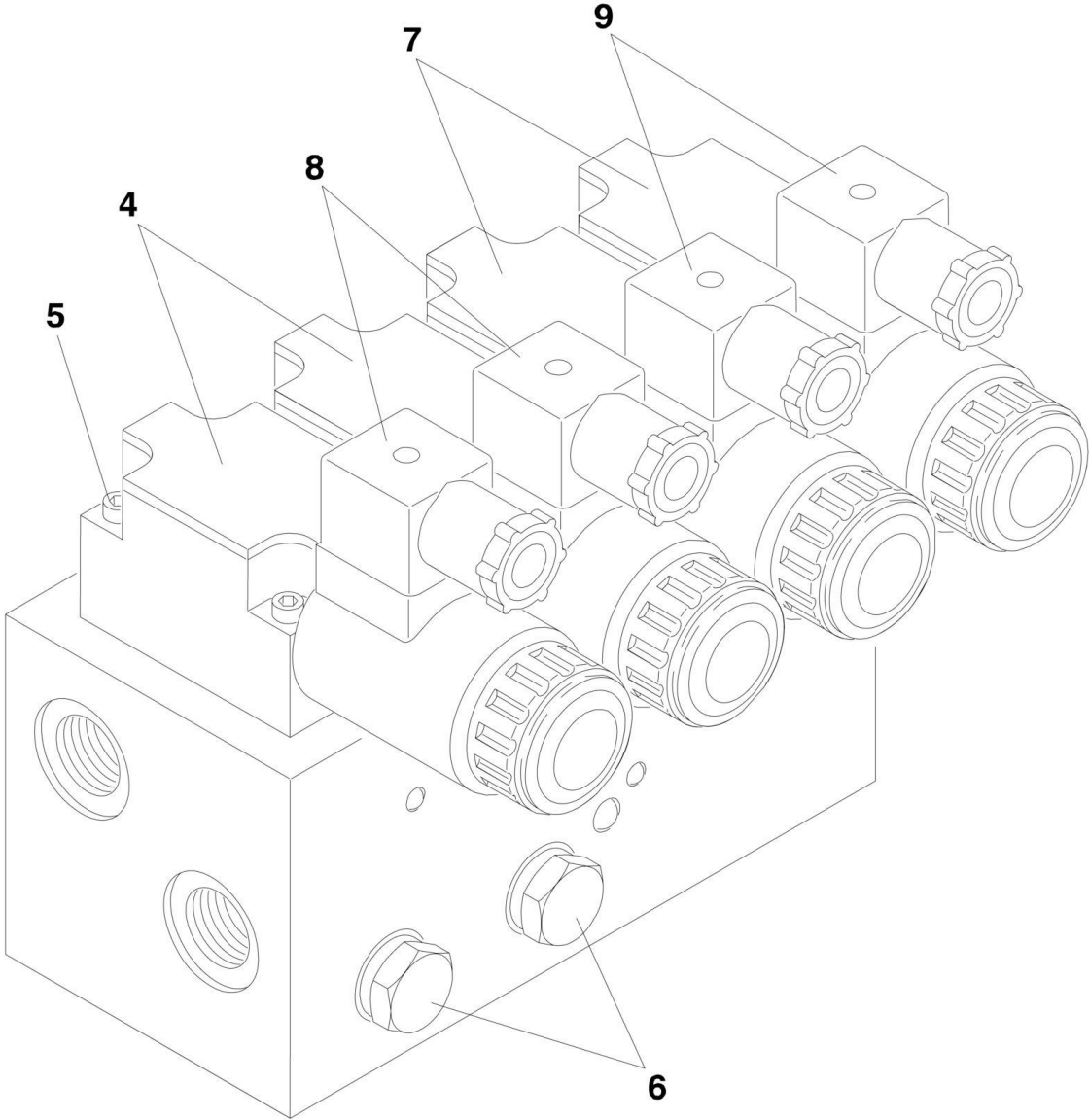
SECTION 2 - GROUND CONTROLS

FIGURE 2-3. MAIN VALVE ASSEMBLY (DRIVE/EXTEND/OUTRIGGER)

ITEM	PART NUMBER	QTY	DESCRIPTION	REV
	H000699	Ref	MAIN VALVE ASSEMBLY (DRIVE/EXTEND/OUTRIGGER)	B
2	H000116	1	Section, Pump (Left Side)	
2	8007939	1	Seal Kit - H000116 Section	
2A	8007944	1	Pilot Supply Assembly	
2B	7027912	1	Relief Assembly	
3	H000352	1	External Pilot Supply	
4	7028847	6	Valve Section (With Relief Valve) (was p/n H000188)	
4	8007935	6	Seal Kit - 7028847 Section (was p/n H000031)	
5	H000580	1	End Plate	
5	See Item 15	1	Seal Kit - H000580 Section	
6	H000602	1	Valve, Relief (Platform Function Only)	
7	H005250	5	Valve, Relief (All Functions Except Lift Function)	
8	H000514	1	Spool (Platform)	
9	H005279	1	Spool (Drive 2)	
10	H000512	4	Spool (Outrigger)	
11	H000191	5	Electrical Activator (on-off) (All Functions Except Drive 2)	
11	8007954	5	Seal Kit - H000191 Electrical Activator (was p/n H000032)	
11	7028846	20	Screw, Mounting	
11	7028849	5	DIN Connector (Black)	
12	H000206	1	Electrical Activator (Proportional High) (Drive 2 Function)	
12	8007954	1	Seal Kit - H000206 Electrical Activator (was p/n H000032)	
12	7028846	4	Screw, Mounting	
12	8007953	1	DIN Connector (White)	
13	7028893	6	Mechanical Activation Assembly (was p/n H000187)	
13	8007894	6	Seal Kit - 7028893 Mechanical Activator (was p/n H005248)	
13A	1003107	12	Nut, Seal (2 per Assembly)	
13A	8007915	12	Pin, Threaded (2 per Assembly)	
13B	0318854	24	Screw (4 per Assembly)	
13C	H005247	6	Base and Lever Assembly (1 per Assembly)	
13D	0307544	6	Screw (1 per Assembly)	
13D	0893076	6	Washer (1 Per Assembly)	
15	8003063	1	Assembly Kit (Includes Hardware and Seals for Between Valve Sections) (was p/n H005272)	
15	7028848	6	Seal Kit for Between Valve Sections (was p/n H005249) (Note: One Seal Kit does both sides of section.)	

SECTION 2 - GROUND CONTROLS

FIGURE 2-4. DRIVE VALVE ASSEMBLY



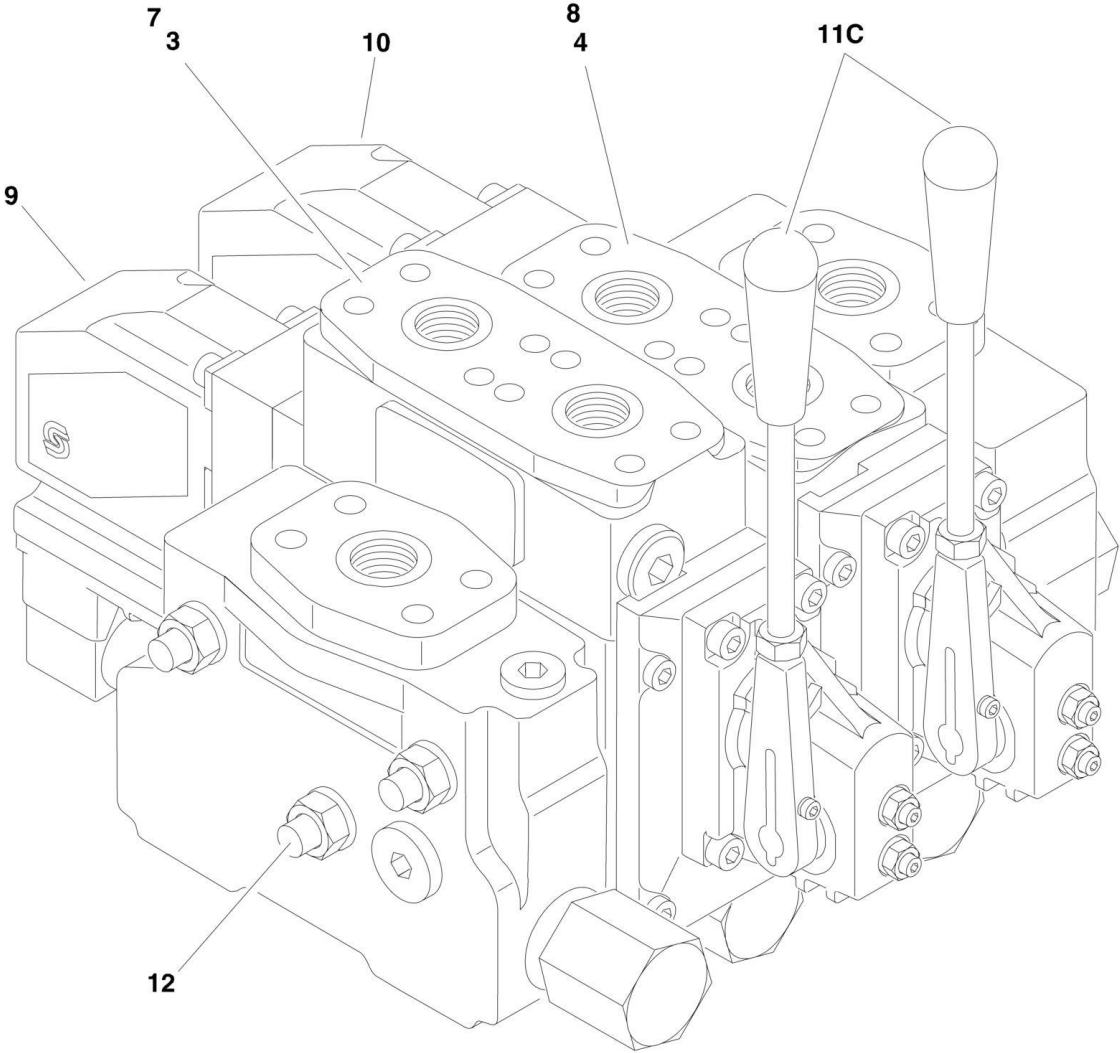
SECTION 2 - GROUND CONTROLS

FIGURE 2-4. DRIVE VALVE ASSEMBLY

ITEM	PART NUMBER	QTY	DESCRIPTION	REV
	H000436	Ref	DRIVE VALVE ASSEMBLY	E
4	70000269	2	Spool Valve	
4	70000385	AR	Coil (Note: Coil Nut, and Seal Kit Not Currently Available)	
5	70000270	16	DIN Screw	
6	70000267	2	Flow Divider	
7	70000271	2	Spool Valve	
7	70000385	AR	Coil (Note: Coil Nut, and Seal Kit Not Currently Available)	
8	70000333	2	DIN Connector (Gray)	
9	70000332	2	DIN Connector (Black)	

SECTION 2 - GROUND CONTROLS

FIGURE 2-5. MAIN VALVE ASSEMBLY (DRIVE/LIFT/AXLE LOCKOUT)



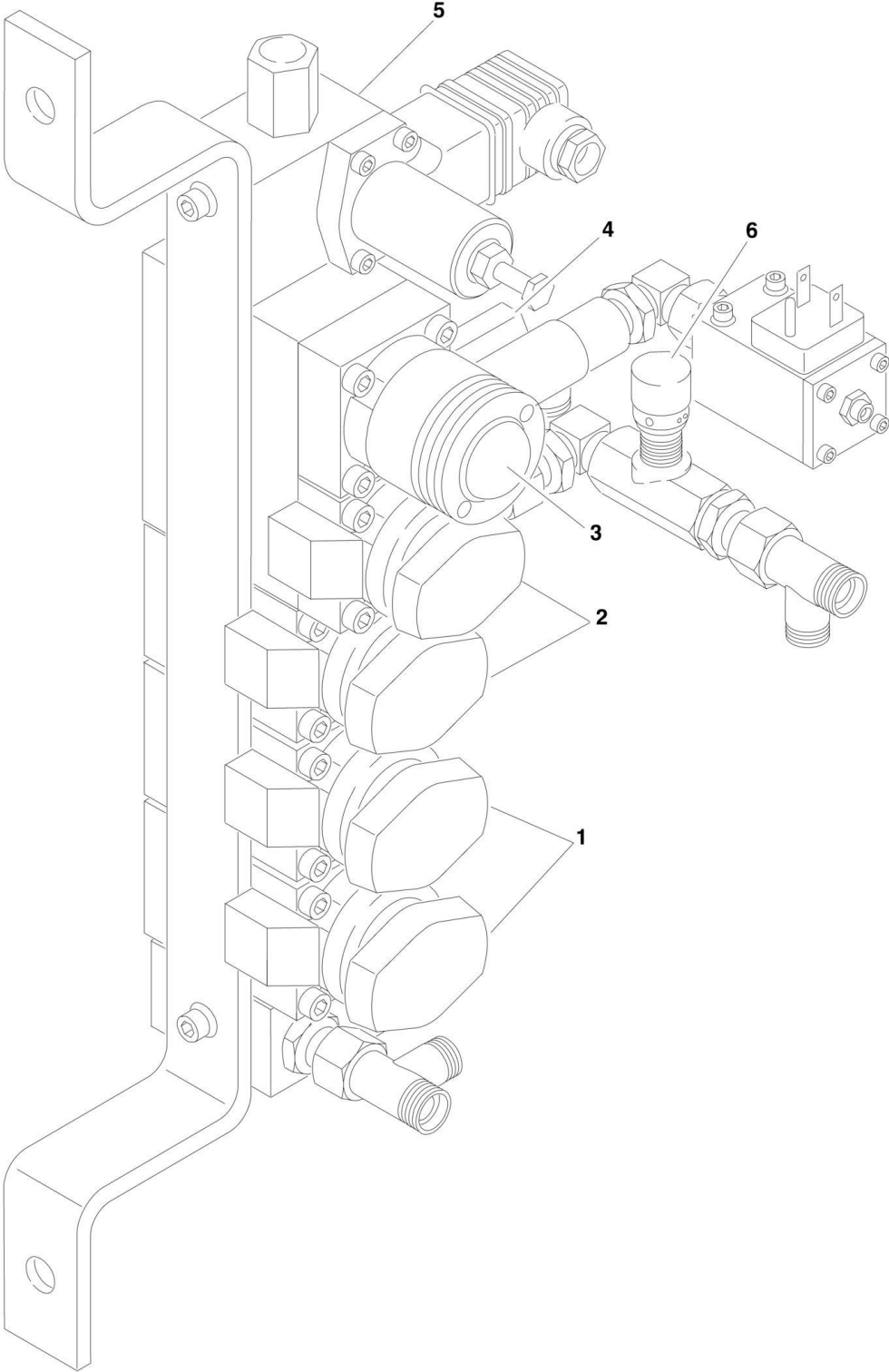
SECTION 2 - GROUND CONTROLS

FIGURE 2-5. MAIN VALVE ASSEMBLY (DRIVE/LIFT/AXLE LOCKOUT)

ITEM	PART NUMBER	QTY	DESCRIPTION	REV
	H000700	Ref	MAIN VALVE ASSEMBLY (DRIVE/LIFT/AXLE LOCKOUT)	B
2	7027916	1	Section, Pump (Left Side)	
2	7027917	1	Seal Kit - Section	
2A	Not Available	1	Pressure Adjustment Assembly (Purchase Complete Section)	
2A	Not Available	1	Plug (Opposite Side)	
2B	Not Available	1	Relief Assembly	
3	7027918	1	Valve Section (With Shock Valve Ports) (Drive)	
3	7027919	1	Seal Kit - Section	
3A	7027920	1	Compensator, Spool and Ball Kit	
3A	7027921	1	Plug, Spring, Disc and Seal Kit	
3B	7027922	2	Valve, Shock	
4	7027923	1	Valve Section (Without Shock Valve Ports) (Lift)	
4	7027919	1	Seal Kit - Section	
4A	7027920	1	Compensator, Spool and Ball Kit	
4A	7027921	1	Plug, Spring, Disc and Seal Kit	
5	7027924	1	Section, Tank Side - Upper	
5	7027925	1	Seal Kit - Upper Tank Side Section (Includes Seals Between Upper and Lower Tank Side Sections)	
6	7027926	1	Section, Tank Side - Lower	
6	7027927	1	Seal Kit - Lower Tank Side Section (Includes Filter)	
6A	Not Available	1	Pilot Supply Assembly	
7	7027928	1	Spool (Drive)	
8	7027929	1	Spool (Lift)	
9	7027930	1	Electrical Activator (Drive)	
9	7027931	1	Seal Kit - Electrical Activator	
9	Not Available	4	Screw, Mounting	
9	8007953	1	DIN Connector	
10	7027932	1	Electrical Activator (Lift)	
10	7027931	1	Seal Kit - Electrical Activator	
10	Not Available	4	Screw, Mounting	
10	7028849	1	DIN Connector	
11	7027934	2	Mechanical Activation Assembly	
11	7027935	2	Seal Kit - Mechanical Activator	
11A	1003107	4	Nut, Seal (2 per Assembly)	
11A	8007915	4	Pin, Threaded (2 per Assembly)	
11B	Not Available	8	Screw (4 per Assembly)	
11C	H005247	2	Base and Lever Assembly (1 Per Valve Section)	
11C	0307544	2	Screw (1 per Assembly)	
11C	0893076	2	Washer (1 Per Assembly)	
12	7027936	1	Assembly Kit (Includes Hardware and Seals for Between Valve Sections)	
12	7027937	2	Seal Kit for Between Valve Sections (Note: One Seal Kit does both sides of section.)	

SECTION 2 - GROUND CONTROLS

FIGURE 2-6. BRAKE AND EMERGENCY VALVE MANIFOLD



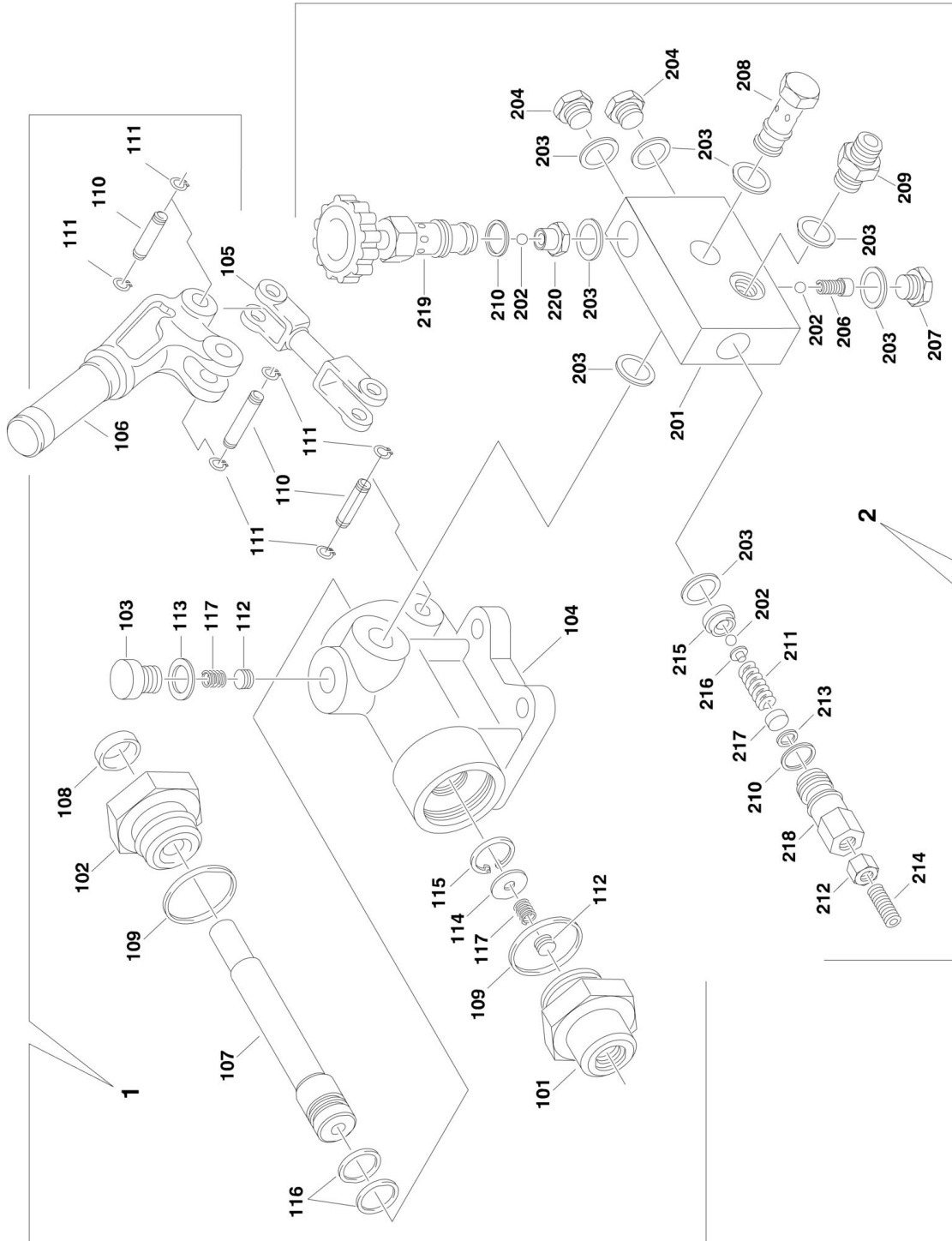
SECTION 2 - GROUND CONTROLS

FIGURE 2-6. BRAKE AND EMERGENCY VALVE MANIFOLD

ITEM	PART NUMBER	QTY	DESCRIPTION	REV
	H000707	Ref	BRAKE AND EMERGENCY VALVE MANIFOLD	C
1	70002076	2	Directional Valve, Manual	
2	70002077	2	Directional Valve, Manual	
3	70002078	1	Directional Valve, Electric	
4	70002079	1	Check Valve	
5	70002080	1	Switch, Pressure	
6	70002081	1	Throttle Valve	

SECTION 2 - GROUND CONTROLS

FIGURE 2-7. HAND PUMP ASSEMBLY



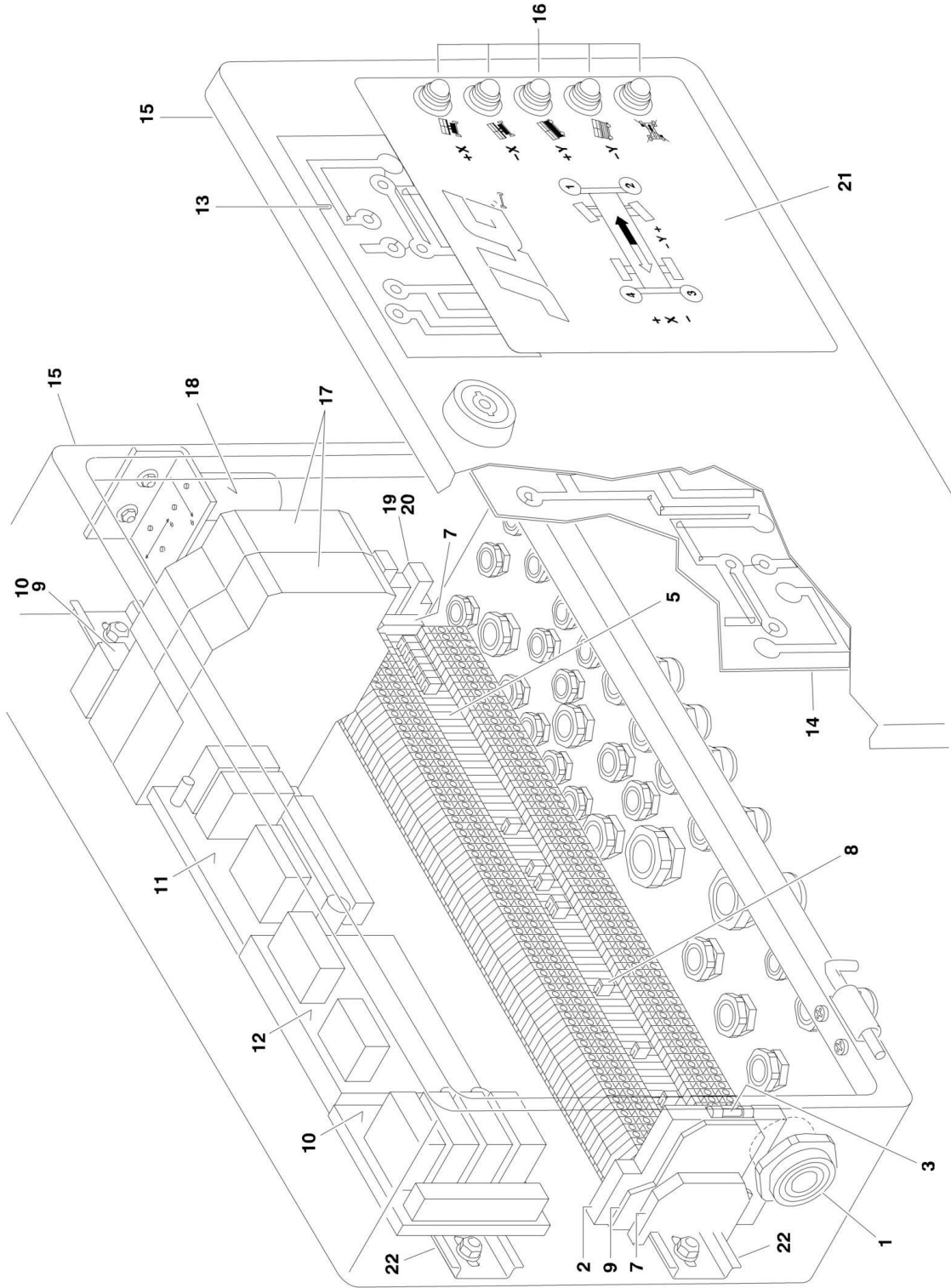
SECTION 2 - GROUND CONTROLS

FIGURE 2-7. HAND PUMP ASSEMBLY

ITEM	PART NUMBER	QTY	DESCRIPTION	REV
	H000285	Ref	HAND PUMP ASSEMBLY	D
1	70000513	1	Pump Assembly (See Items 101-117 for Breakdown)	
2	70000528	1	Valve Assembly (See Items 201-220 for breakdown)	
	70000513	Ref	PUMP ASSEMBLY	
101	70000514	1	Valve, Suction	
102	Not Available	1	Plug	
103	Not Available	1	Plug	
104	Not Available	1	Body	
105	70000515	1	Rod, Connecting	
106	70000516	1	Lever	
107	70000517	1	Piston	
108	70000518	1	Seal	
109	70000519	2	Seal	
110	70000520	2	Pin	
111	70000521	6	Ring, Retaining	
112	70000522	2	Ball	
113	70000523	1	Ring	
114	70000524	1	Washer	
115	70000525	1	Ring, Internal Retaining	
116	70000526	2	Seal	
117	70000527	2	Spring	
	70000528	Ref	VALVE ASSEMBLY	
201	Not Available	1	Body	
202	70000529	3	Ball	
203	70000530	8	Ring	
204	Not Available	2	Bolt M8 x 8mm	
205	70000531	1	Spinner (Not Shown)	
206	70000532	1	Spring	
207	Not Available	1	Plug	
208	70000533	1	Screw	
209	70000534	1	Fitting, Straight	
210	70000535	2	Seal	
211	70000536	1	Spring	
212	Not Available	1	Nut M10	
213	70000537	1	Seal	
214	Not Available	1	Setscrew	
215	70000538	1	Relief, Valve	
216	70000539	1	Pin, Ball Driving	
217	70000540	1	Plate, Seal	
218	70000541	1	Valve Body	
219	70000542	1	Knob Assembly	
220	70000543	1	Valve Body	

SECTION 2 - GROUND CONTROLS

FIGURE 2-8. MAIN TERMINAL BOX ASSEMBLY



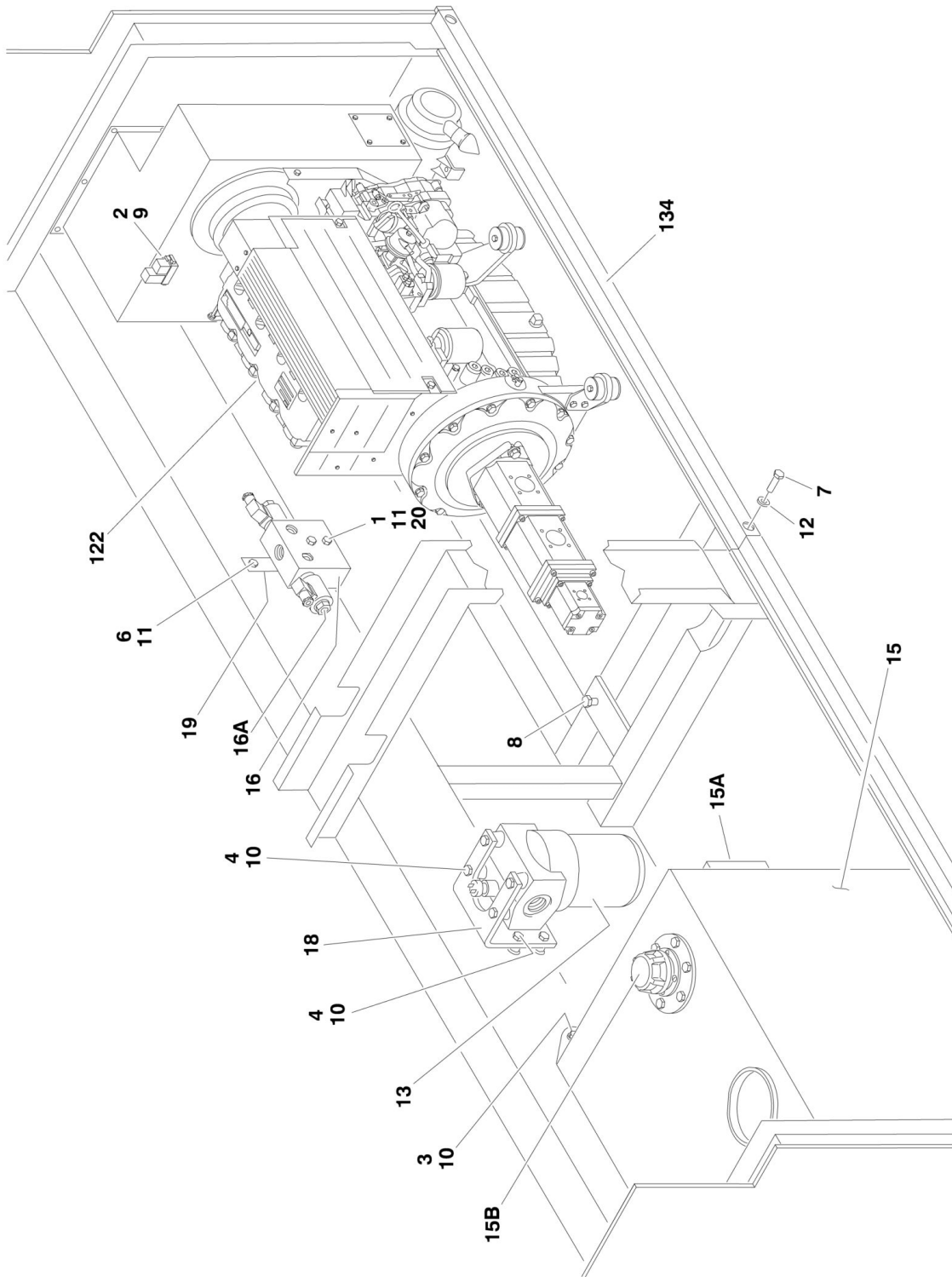
SECTION 2 - GROUND CONTROLS

FIGURE 2-8. MAIN TERMINAL BOX ASSEMBLY

ITEM	PART NUMBER	QTY	DESCRIPTION	REV
	1001092947	Ref	MAIN TERMINAL BOX ASSEMBLY	D
1	0140011	1	Alarm	
2	1001092405	1	Holder, Fuse	
3	1001092406	1	Fuse, 10A	
5	1001093353	71	Block, Terminal	
6	1001093354	1	Plate, Terminal Intermediate (Not Shown)	
7	1001093355	2	Stop, Terminal End	
8	1001093361	14	Terminal, Jumper	
9	1001093379	1	Plate, Terminal End	
10	1001094641	1	Card, LSS and Time Override	
11	1001094642	1	Card, Trigger Control	
12	E000189	1	Card, Pump Delay	
13	E000214	1	Nivolux Circuit Board	
14	1001112938	1	Control Card, Complex	
15	E000375	1	Control Box Housing	
16	E000419	5	LED, Red Complete	
17	E000457	2	Relay	
18	E001206	1	Sensor, Level	
19	E001375	2	Relay	
20	E001376	2	Base, Relay	
21	E900057	1	Decal, Cover	
22	E900059	2	Rail, DIN	
23	70000952	1	Connector (2 Pin for Nivolux Board - Not Shown)	
24	70000953	2	Connector (3 Pin for Nivolux Board - Not Shown)	
25	70000954	1	Connector (4 Pin for Nivolux Board - Not Shown)	
26	70000955	1	Connector (8 Pin for Complex Board - Not Shown)	
27	70000956	4	Connector (12 Pin for Nivolux and Complex Board - Not Shown)	
28	70003616	1	Connector (6 Pin for Nivolux and Complex Board - Not Shown)	

SECTION 2 - GROUND CONTROLS

FIGURE 2-9. LEFT SIDE COMPONENTS INSTALLATION



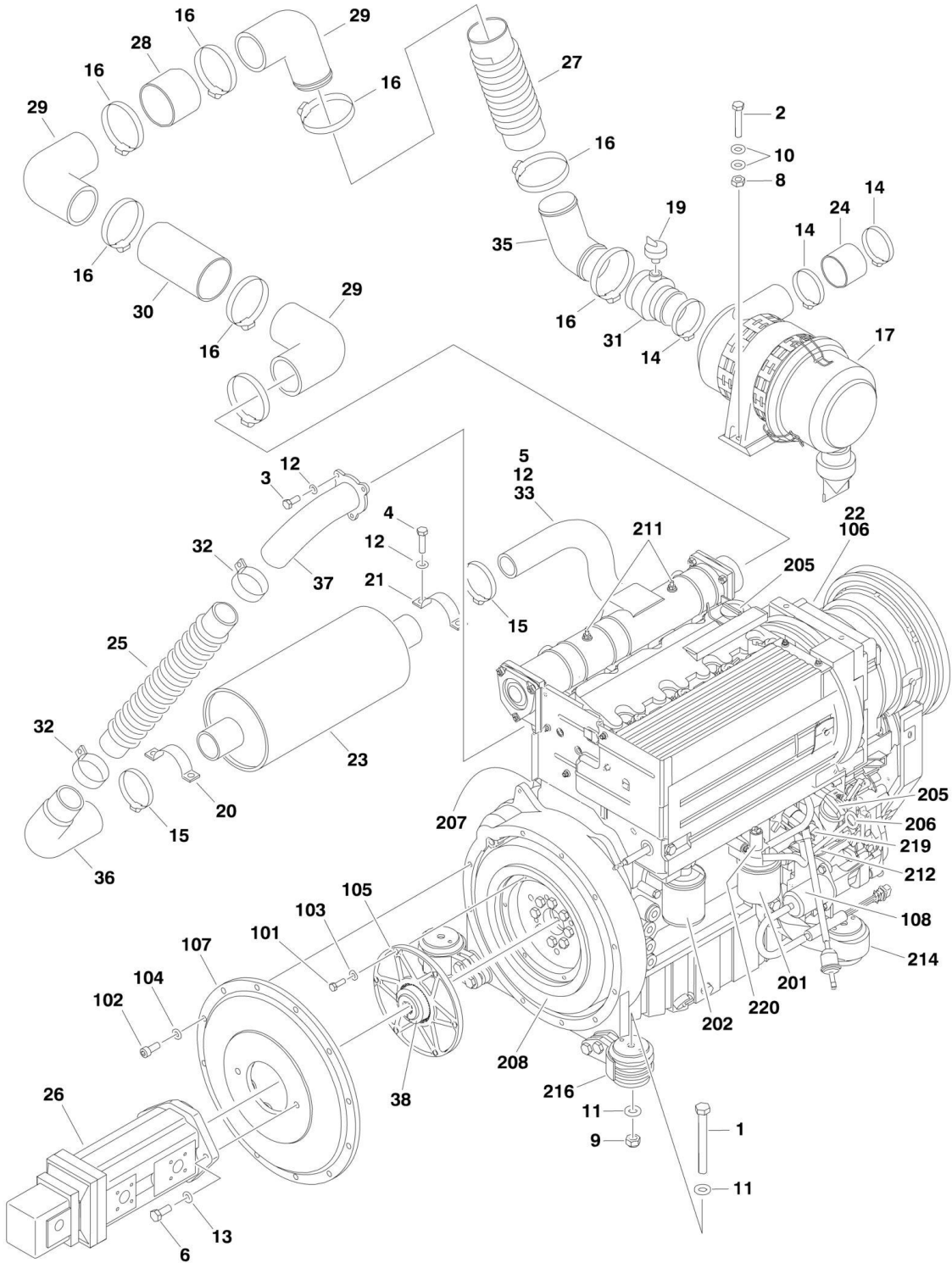
SECTION 2 - GROUND CONTROLS

FIGURE 2-9. LEFT SIDE COMPONENTS INSTALLATION

ITEM	PART NUMBER	QTY	DESCRIPTION	REV
	1001092322	Ref	ENGINE SIDE COMPONENTS INSTALLATION	D
1	0701228	2	Bolt M12 x 110mm	
2	0760505	2	Bolt M5 x 10mm	
3	0761008	4	Bolt M10 x 16mm	
4	0761010	8	Bolt M10 x 20mm	
6	0761212	1	Bolt M12 x 25mm	
7	0761616	2	Bolt M16 x 40mm	
8	0762020	2	Bolt M20 x 60mm	
9	4831600	2	Lockwasher M5	
10	4832000	12	Lockwasher M10	
11	4832100	3	Lockwasher M12	
12	4832300	2	Lockwasher M16	
13	1001092321	1	Filter, Hydraulic Pressure	
13	70001791	1	Element	
15	1001092693	1	Hydraulic Tank Assembly	
15A	H000013	1	Gauge, Hydraulic Oil Level	
15B	H000241	1	Breather	
16	H000706	1	Valve, Circulation Control	
16A	70002082	2	Cartridge Assembly	
18	S200560	1	Bracket, Hydraulic Oil Filter	
19	S900162	1	Bracket, Circulation Control Valve	
20	3291601	2	M16 Nut	
	1001092462	Ref	ENGINE ASSEMBLY INSTALLATION	E
122	1001098994	1	Deutz Engine Assembly (See ENGINE INSTALLATION for Breakdown)	
134	S200561	1	Tray, Engine	

SECTION 2 - GROUND CONTROLS

FIGURE 2-10. ENGINE INSTALLATION



SECTION 2 - GROUND CONTROLS

FIGURE 2-10. ENGINE INSTALLATION

ITEM	PART NUMBER	QTY	DESCRIPTION	REV
	1001092462	Ref	ENGINE ASSEMBLY INSTALLATION	E
1	0701227	4	Bolt M12 x 100mm	
2	0760816	2	Bolt M8 x 40mm	
3	0761010	3	Bolt M10 x 20mm	
4	0761012	4	Bolt M10 x 25mm	
5	0761016	2	Bolt M10 x 40mm (Mounts Tailpipe to Frame)	
6	0761214	2	Bolt M10 x 30mm	
7	1062255	AR	Strap, Tie (Not Shown)	
8	3290805	2	Nut M8	
9	3291005	4	Locknut M10	
10	4811900	4	Flatwasher M8	
11	4812100	8	Flatwasher M12	
12	4832000	9	Lockwasher M10	
13	4832100	2	Lockwasher M12	
14	8005376	3	Clamp, Hose	
15	1686997	2	Clip, Bracket	
16	8410011	7	Clamp, Hose	
17	1001091198	1	Air Filter Assembly	
17	H005232	1	Primary Filter Element (Outer)	
17	70000054	1	Safety Filter Element (Inner)	
18	1001091513	1	Bracket, Solenoid Wiring Loom	
19	1001091514	1	Indicator, Air Cleaner Clog	
20	1001092413	1	Bracket, Muffler Inlet	
21	1001092414	1	Bracket, Muffler Outlet	
22	1001098994	1	Deutz Engine Assembly (See Items 101 - 108 for Breakdown)	
23	1001092532	1	Muffler	
24	1001092576	1	Sleeve, Rubber 60 x 70 x 55mm	
25	1001092911	1	Tube, Exhaust	
26	H000711	1	Pump, Hydraulic	
27	H005234	1	Hose, Air Intake	
28	H005237	1	Sleeve, Rubber 70 x 80 x 65mm	
29	H005238	3	Elbow, Air Intake	
30	H005239	1	Sleeve, Rubber 70x80x100 mm	
31	H005242	1	Sleeve, Rubber Reducing	
32	S005172	2	Clamp, Exhaust	
33	S200558	1	Tailpipe	
35	S200573	1	Pipe, Air Filter Elbow	
36	S200574	1	Elbow, Exhaust Tube to Muffler	
37	S200575	1	Elbow, Exhaust Manifold to Exhaust Tube	
38	1001093798	1	Hub, Coupling	
39	1001105682	1	Harness, Engine (Not Shown - See ELECTRICAL SECTION for Breakdown)	
	1001098994	Ref	ENGINE ASSEMBLY	C
101	0760812	6	Bolt M8 x 25mm	
102	4032009	11	Capscrew M10 x 25mm	
103	4831900	6	Lockwasher M8	
104	4832000	11	Lockwasher M10	
105	1001093797	1	Flange, Coupling	
106	1001098995	1	Engine, Deutz TD2011 L04 i (See Items 201 - 226 for Breakdown)	
107	H004083	1	Flange, Pump Mounting	

SECTION 2 - GROUND CONTROLS

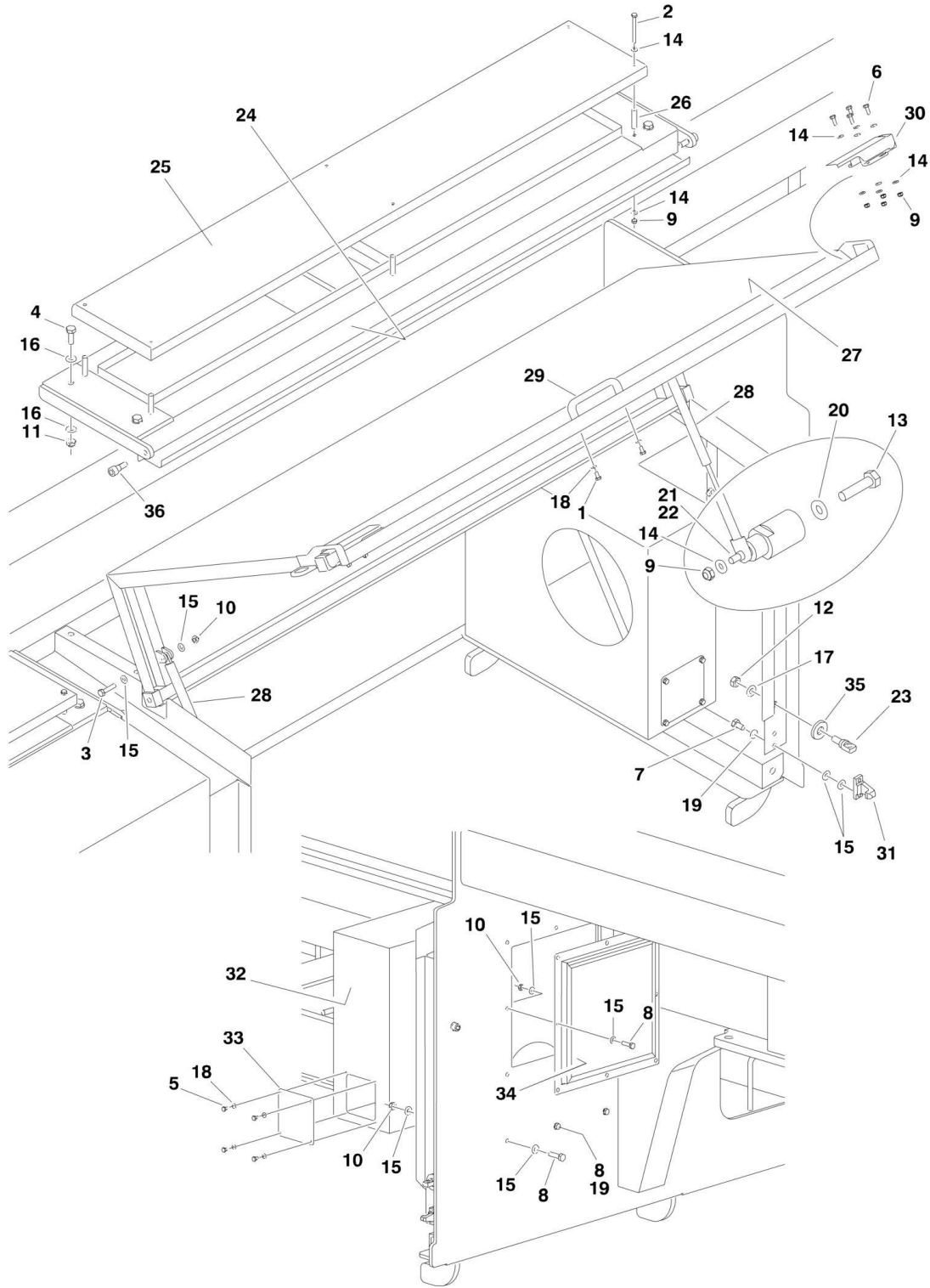
ITEM	PART NUMBER	QTY	DESCRIPTION	REV
108	H005224	1	Solenoid, Throttle Control	
108	70000055	1	Solenoid	
108	70003217	1	Bracket, Mounting	
108	70001134	1	Seal, Throttle Control Solenoid	
108	70000056	1	Cable, Electrical	
	1001098995	Ref	ENGINE COMPONENTS	C
201	7020023	1	Fuel Filter	
202	7016331	1	Oil Filter	
203	7020459	1	Thermostat (Not Shown)	
204	70001858	1	V-Belt (Not Shown)	
205	7020465	2	Filler Cap	
206	70000043	1	Dipstick	
206	70000044	1	O-Ring, Dipstick	
207	70000059	1	Starter Motor	
207	70001852	1	Solenoid, Starter	
208	70000264	1	Flywheel	
208	7024579	1	Ring Gear	
209	7020449	4	Gasket, Intake Manifold (Not Shown)	
210	70001850	1	Pump, Oil	
210	7020468	1	Ring, Sealing	
211	70000922	2	Plug, Glow	
211	7020492	2	Seal, Glow Plug	
212	70001850	1	Pump, Oil	
212	7020468	1	Ring, Sealing	
213	70000060	1	Harness, Engine (Not Shown)	
214	70001136	1	Mounting Foot, RF	
215	70001137	1	Mounting Foot, LF (Not Shown)	
216	70001138	2	Mounting Foot, Rear	
217	70001851	1	Sensor, Temperature (Not Shown)	
217	7020480	1	Ring, Sealing	
218	7016330	1	Switch, Oil Pressure (Not Shown)	
219	70000916	1	Pump, Fuel Supply	
219	70000917	1	Seal, O-Ring	
219	70000918	1	Ring, Sealing	
219	70000919	1	Pump, Hand	
219	70001435	1	Kit, Repair (Includes O-Ring, Sealing Ring and Pump Hand)	
220	70000073	1	Solenoid, Boost Control	
220	70000074	1	Seal, Boost Control Solenoid	
221	70000062	1	Solenoid, Shutdown (Bolts to Front of Engine - Not Shown)	
221	70000061	1	Spring	
221	7027249	1	Seal, Shutdown Solenoid	
222	70000073	1	Solenoid, Start (Threads into Side of Front Cover - Not Shown)	
222	70000074	1	Seal, Start Solenoid	
223	70000057	1	Generator (Not Shown)	
223	70000058	1	Regulator, Voltage	
224	7027240	1	Turbocharger (Not Shown)	
224	70001857	1	Flange, Turbocharger	
224	70001135	1	Gasket, Turbocharger	
224	70001133	1	Reducer, Turbocharger	
225	70000077	1	Cable, Interconnect (Not Shown)	
226	70001847	1	Breather, Front Cover (Not Shown)	

SECTION 2 - GROUND CONTROLS

ITEM	PART NUMBER	QTY	DESCRIPTION	REV
226	70001126	1	Seal, Front Cover Breather	
227	70001845	4	Gasket, Exhaust Manifold (Not Shown)	
227	7020486	1	Gasket, Exhaust Manifold (Exhaust Pipe to Manifold - Not Shown)	
228	70000073	1	Solenoid, Boost Control (Threads into Side of Front Cover - Not Shown)	
228	70000074	1	O-Ring, Boost Control Solenoid	
228	70001132	1	Seal, Boost Control	
229		Ref	Pump, Injector Options: (Not Shown)	
229	70001128	4	Series A Injector	
229	70001129	4	Series B Injector	
229	70001130	4	Series C Injector	
229	70001131	4	Series D Injector	

SECTION 2 - GROUND CONTROLS

FIGURE 2-11. HOODS INSTALLATION



SECTION 2 - GROUND CONTROLS

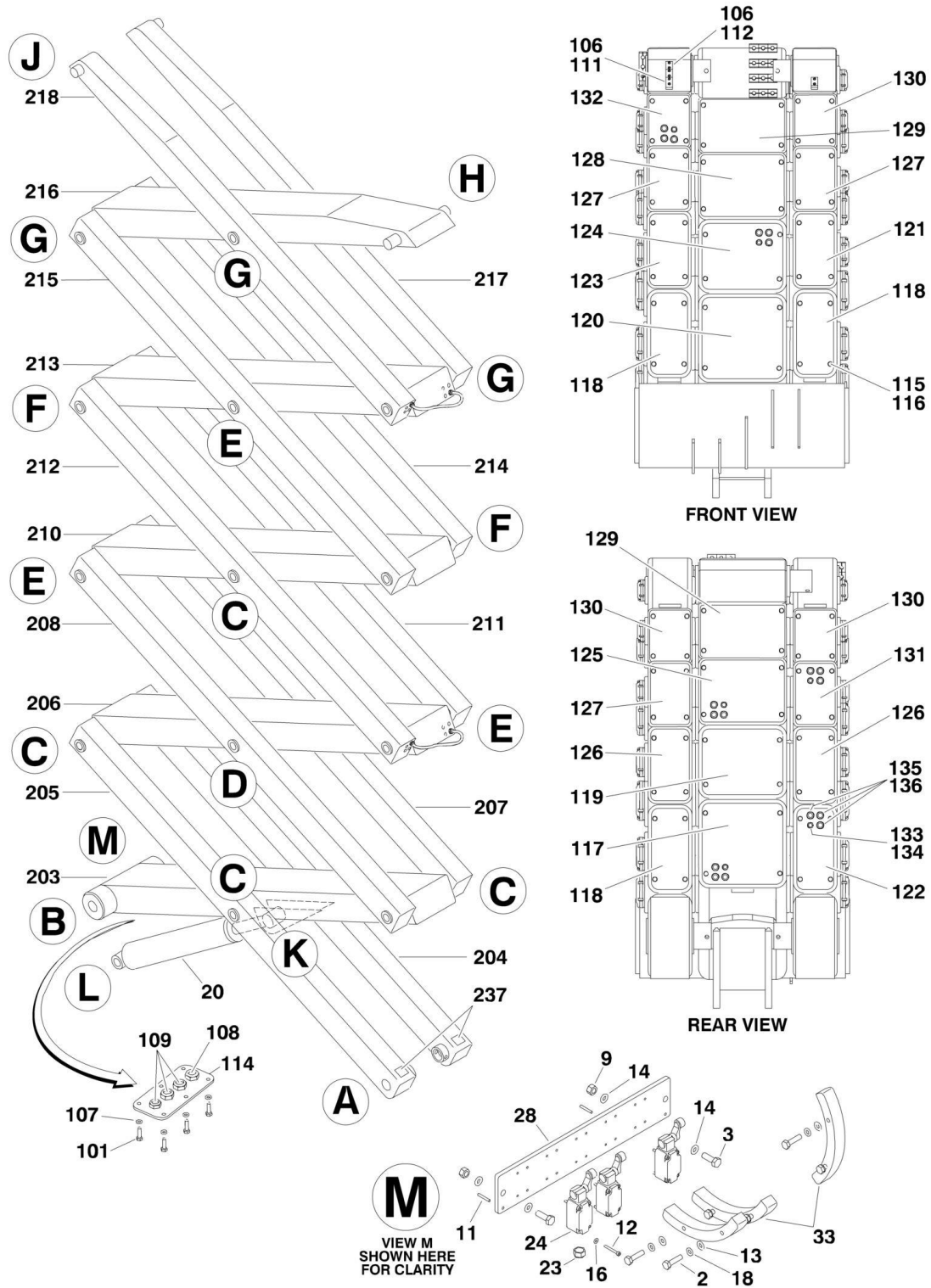
FIGURE 2-11. HOODS INSTALLATION

ITEM	PART NUMBER	QTY	DESCRIPTION	REV
	1001092279	Ref	HOODS INSTALLATION	B
		Ref		
1	0700606	8	Bolt M6 x 12mm	
2	0700621	24	Bolt M6 x 65mm	
3	0700815	8	Bolt M8 x 35mm	
4	0701014	16	Bolt M10 x 30mm	
5	0760605	4	Bolt M6 x 10mm	
6	0760608	32	Bolt M6 x 16mm	
7	0760807	16	Bolt M8 x 14mm	
8	0760814	11	Bolt M8 x 30mm	
9	3290605	64	Locknut M6	
10	3290805	18	Locknut M8	
11	3291005	16	Locknut M10	
12	3291205	8	Locknut M12	
13	4032111	8	Bolt M12 x 35mm	
14	4811700	120	Flatwasher M6	
15	4811900	68	Flatwasher M8	
16	4812000	32	Flatwasher M10	
17	4812100	8	Flatwasher M12	
18	4831700	12	Lockwasher M6	
19	4831900	17	Lockwasher M8	
20	4832100	8	Lockwasher M12	
21	1001092331	4	Pin, Hood Strut (Short)	
22	1001092332	4	Pin, Hood Strut (Long)	
23	S000219	8	Pin, Lock	
24	S000224	4	Filler, Cabinet Top	
25	S000225	4	Cover, Cabinet Top	
26	S000226	24	Spacer	
27	S000232	4	Hood	
28	S000289	8	Spring, Gas	
29	S001676	4	Handle	
30	S005044	8	Latch, Hood	
31	S005045	8	Striker, Hood Latch	
32	1001099794	1	Duct, Air	
33	S900092	1	Plate, Access	
34	S900093	1	Safety Screen	
35	S900163	8	Gasket, Rubber	
36	S900164	8	Bolt, Special	

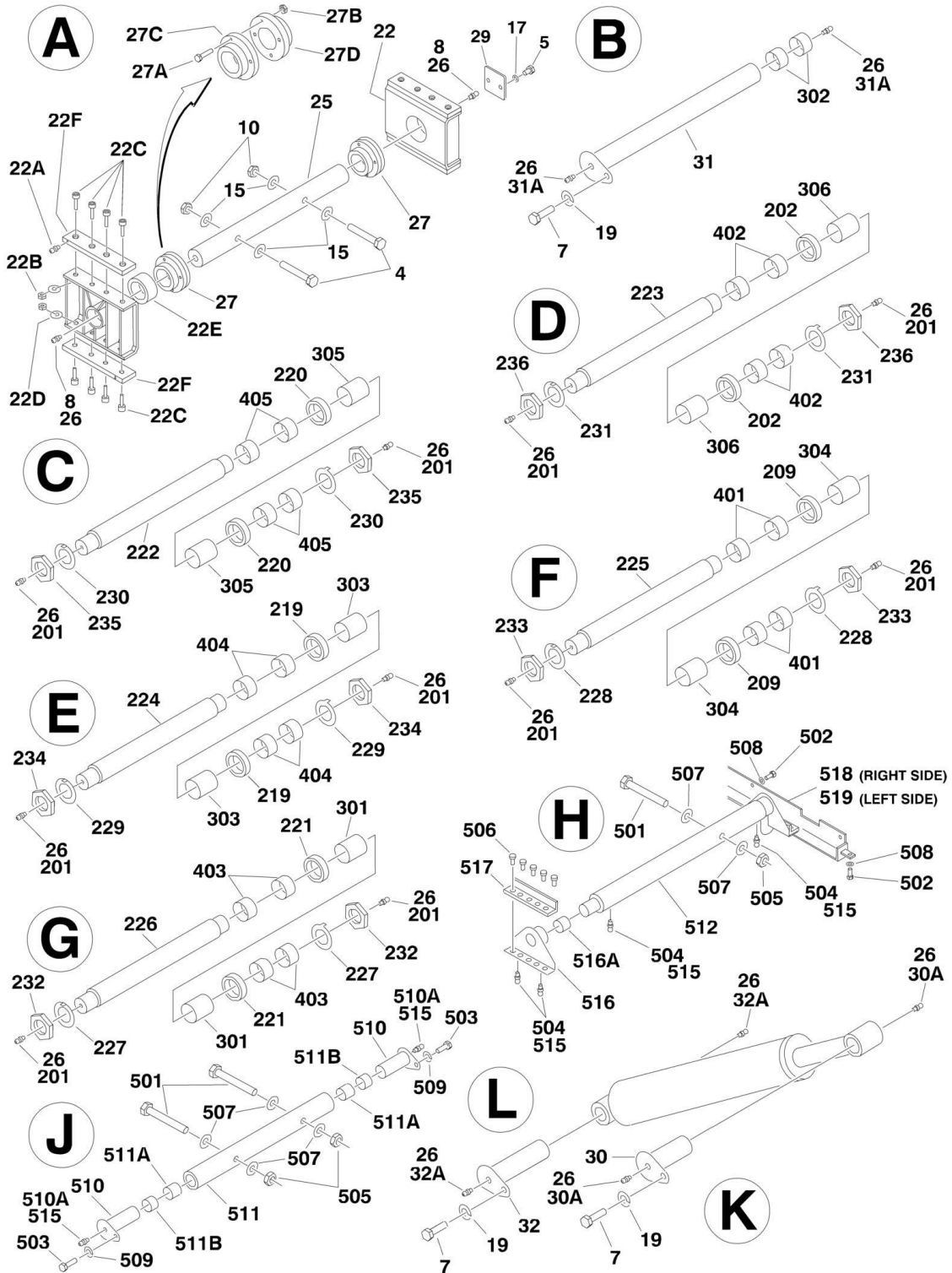
SECTION 3 - SCISSORS ARMS

SECTION 3 - SCISSORS ARMS

FIGURE 3-1. SCISSORS ARMS INSTALLATION



SECTION 3 - SCISSORS ARMS



SECTION 3 - SCISSORS ARMS

FIGURE 3-1. SCISSORS ARMS INSTALLATION

ITEM	PART NUMBER	QTY	DESCRIPTION	REV
	1001091899	Ref	SCISSOR ARMS INSTALLATION	C
2	0701016	6	Bolt M10 x 40mm	
3	0701217	2	Bolt M12 x 45mm	
4	0701632	2	Bolt M16 x 150mm	
5	0760608	4	Bolt M6 x 16mm	
6	0761010	4	Bolt M10 x 20mm (Used with Item 34 - Not Shown)	
7	0762019	3	Bolt M20 x 55mm	
8	2160016	2	Fitting, Grease	
9	3291207	2	Locknut M12	
10	3291605	2	Locknut M16	
11	3371708	2	Pin, Roll	
12	4031612	12	Bolt M5 x 40mm	
13	4812000	6	Flatwasher M10	
14	4812100	4	Flatwasher M12	
15	4812300	4	Flatwasher M16	
16	4831600	12	Lockwasher M5	
17	4831700	4	Lockwasher M6	
18	4832000	10	Lockwasher M10 (Qty. 4 used with Item 34 - Not Shown)	
19	4832500	3	Lockwasher M20	
20	1001091423	1	Lift Cylinder with Valve Assembly (See CYLINDER SECTION for Breakdown)	
22	1001091953	2	Block Assembly, Slide	
22A	2160016	8	Fitting, Grease	
22B	3291205	16	Locknut M12	
22C	4032111	16	Bolt M12 x 35mm	
22D	4812100	16	Flatwasher M12	
22E	S000107	2	Bushing, 100 x 95mm	
22F	S000169	4	Pad, Wear	
23	E000269	3	Strain Relief, PG13.5	
24	E000376	3	Switch, Limit	
25	S000008	1	Pin, 100 mm	
26	S000142	34	Cap, Grease Fitting	
27	S000194	AR	Adjusting Ring, Complete	
27A	0701018	8	Bolt M10 x 50mm	
27B	3291005	8	Locknut M10	
27C	S000196	2	Adjusting Ring, Outer	
27D	S000197	2	Adjusting Ring, Inner	
28	S000206	1	Mounting Panel, Limit Switch	
29	S000217	2	Plate, Cover	
30	S004063	1	Pin, 130 mm	
30A	2160016	2	Fitting, Grease	
31	S004067	1	Pin, 130 mm	
31A	2160016	2	Fitting, Grease	
32	S004068	1	Pin, 130 mm	
32A	2160016	2	Fitting, Grease	
33	S200205	3	Cam	
34	S200569	1	Plate, Cover (Lift Cylinder Access on Frame - Not Shown)	
	1001091868	Ref	SCISSOR ARMS AND CABLE SUB-ASSEMBLY	E
101	0700812	6	Bolt M8 x 25mm	
103	1062255	AR	Strap, Tie (Not Shown)	

SECTION 3 - SCISSORS ARMS

ITEM	PART NUMBER	QTY	DESCRIPTION	REV
104	2754559	2	Hose	
106	4031709	50	Bolt M6 x 25mm	
107	4831900	6	Lockwasher M8	
108	E000016	1	Plug, PG16	
109	E000045	3	Strain Relief, PG21	
111	H000371	9	Clamp, Cable	
112	H000430	16	Clamp, Cable	
114	S900223	1	Plate, Scissors Cable	
115	0761010	96	Bolt M10 x 20mm	
116	4832000	96	Lockwasher M10	
117	S000036-10	1	Endplate, Scissor Arm	
118	S000037-10	3	Endplate, Scissor Arm	
119	S000060-05	1	Endplate, Scissor Arm	
120	S000060-06	1	Endplate, Scissor Arm	
121	S000079-05	1	Endplate, Scissor Arm	
122	S000114-02	1	Endplate, Scissor Arm	
123	S000114-03	1	Endplate, Scissor Arm	
124	S000132-06	1	Endplate, Scissor Arm	
125	S000132-07	1	Endplate, Scissor Arm	
126	S000144-06	2	Endplate, Scissor Arm	
127	S000144-07	3	Endplate, Scissor Arm	
128	S000161-06	1	Endplate, Scissor Arm	
129	S000161-07	2	Endplate, Scissor Arm	
130	S000162-06	3	Endplate, Scissor Arm	
131	S000162-02	1	Endplate, Scissor Arm	
132	S000163-03	1	Endplate, Scissor Arm	
133	1001097368	7	Strain Relief, PG16	
134	1001097369	7	Nut, PG16 Strain Relief	
135	1001097370	21	Nut, PG21 Strain Relief	
136	1001097372	21	Strain Relief, PG21	
	S900174	Ref	SCISSOR ARMS ASSEMBLY	E
201	2160016	26	Fitting, Grease	
202	S000034	2	Bearing, Ball Thrust	
203	S000036	1	Arm, #1 Inner (See Items 301 to 306 for Breakdown)	
204	S000037	1	Arm, RH #1 Outer (See Items 401 to 405 for Breakdown)	
205	S000058	1	Arm, LH #1 Outer (See Items 401 to 405 for Breakdown)	
206	S000060	1	Arm, #2 Inner (See Items 301 to 306 for Breakdown)	
207	S000079	1	Arm, RH #2 Outer (See Items 401 to 405 for Breakdown)	
208	S000114	1	Arm, LH #2 Outer (See Items 401 to 405 for Breakdown)	
209	S000124	4	Bearing, Ball Thrust	
210	S000132	1	Arm, #3 Inner (See Items 301 to 306 for Breakdown)	
211	S000144	1	Arm, RH #3 Outer (See Items 401 to 405 for Breakdown)	
212	S000160	1	Arm, LH #3 Outer (See Items 401 to 405 for Breakdown)	
213	S000161	1	Arm, #4 Inner (See Items 301 to 306 for Breakdown)	
214	S000162	1	Arm, RH #4 Outer (See Items 401 to 405 for Breakdown)	
215	S000163	1	Arm, LH #4 Outer (See Items 401 to 405 for Breakdown)	
216	S000164	1	Arm, #5 Inner (See Items 301 to 306 for Breakdown)	
217	S000165	1	Arm, RH #5 Outer (See Items 401 to 405 for Breakdown)	
218	S000166	1	Arm, LH #5 Outer (See Items 401 to 405 for Breakdown)	
219	S001491	6	Bearing, Ball Thrust	
220	S001492	8	Bearing, Ball Thrust	

SECTION 3 - SCISSORS ARMS

ITEM	PART NUMBER	QTY	DESCRIPTION	REV
221	S001803	6	Bearing, Ball Thrust	
222	S001829	4	Pin, 130 mm Diameter	
223	S001831	1	Pin, 160 mm Diameter	
224	S004028	3	Pin, 110 mm Diameter	
225	S004042	2	Pin, 90 mm Diameter	
226	S004059	3	Pin, 80 mm Diameter	
227	S005006	6	Washer, 70 x 95mm	
228	S005007	4	Washer, 80 x 105mm	
229	S005008	6	Washer, 100 x 135mm	
230	S005009	8	Washer, 120 x 155mm	
231	S005011	2	Washer, 150 x 190mm	
232	S005018	6	Nut M70	
233	S005019	4	Nut M80	
234	S005020	6	Nut M100	
235	S005021	8	Nut M120	
236	S005023	2	Nut M150	
237	S900240	77	Pad, Felt	
	Ref		INNER SCISSOR ARM WELDMENTS	
	S000036	Ref	Arm #1 Inner	D
	S000060	Ref	Arm #2 Inner	C
	S000132	Ref	Arm #3 Inner	D
	S000161	Ref	Arm #4 Inner	C
	S000164	Ref	Arm #5 Inner	C
301	S000120	6	Bushing, 80 x 60mm (S000161 qty 2 & S000164 qty 4)	
302	S001498	2	Bushing, 130 x 100mm (S000036 qty 2)	
303	S001595	6	Bushing, 110 x 110mm (S000060 qty 2, S000132 qty 2 & S000161 qty 2)	
304	S001735	4	Bushing, 90 x 80mm (S000132 qty 2 & S000161 qty 2)	
305	S005001	8	Bushing, 130 x 80mm (S000036 qty 4, S000060 qty 2 & S000132 qty 2)	
306	S005003	2	Bushing, 160 x 100mm (S000060 qty 2)	
	Ref		OUTER SCISSOR ARM WELDMENTS	
	S000037	Ref	Arm #1 Outer RH	C
	S000079	Ref	Arm #2 Outer RH	C
	S000144	Ref	Arm #3 Outer RH	C
	S000162	Ref	Arm #4 Outer RH	C
	S000165	Ref	Arm #5 Outer RH	C
	S000058	Ref	Arm #1 Outer LH	C
	S000114	Ref	Arm #2 Outer LH	D
	S000160	Ref	Arm #3 Outer LH	C
	S000163	Ref	Arm #4 Outer LH	D
	S000166	Ref	Arm #5 Outer LH	C
401	S000118	8	Bushing, 90 x 60mm (S000144 qty 2, S000160 qty 2, S000162 qty 2 & S000163 qty 2)	
402	S000131	4	Bushing, 160 x 60mm (S000079 qty 2 & S000114 qty 2)	
403	S000279	12	Bushing, 80 x 40mm (S000162 qty 2, S000163 qty 2, S000165 qty 4 & S000166 qty 4)	
404	S001496	12	Bushing, 110 x 60mm (S000079 qty 2, S000114 qty 2, S000144 qty 2, S000160 qty 2, S000162 qty 2 & S000163 qty 2)	
405	S001497	16	Bushing, 130 x 60mm (S000037 qty 4, S000058 qty 4, S000079 qty 2, S000114 qty 2, S000144 qty 2 & S000160 qty 2)	
	1001092799	Ref	SCISSOR ARMS TO PLATFORM ATTACHMENT INSTALLATION	B
501	0701630	3	Bolt M16 x 130mm	

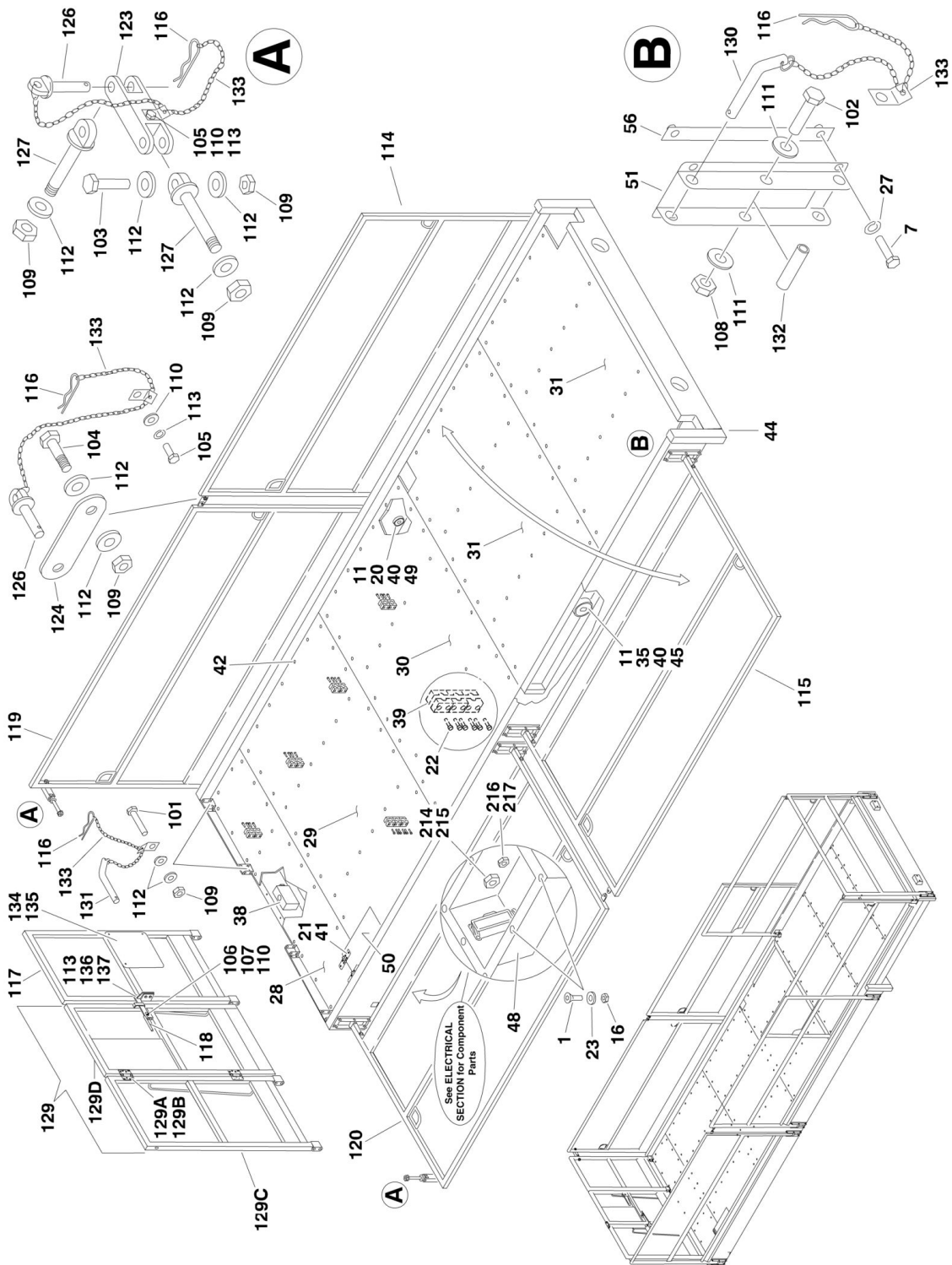
SECTION 3 - SCISSORS ARMS

ITEM	PART NUMBER	QTY	DESCRIPTION	REV
502	0761008	22	Bolt M10 x 16mm	
503	0761214	2	Bolt M12 x 30mm	
504	2160016	6	Fitting, Grease	
505	3291605	3	Locknut M16	
506	4032109	10	Bolt M12 x 25mm	
507	4812300	6	Flatwasher M16	
508	4832000	22	Lockwasher M10	
509	4832100	2	Lockwasher M12	
510	1001092796	2	Pin, 50 mm	
510A	2160016	2	Fitting, Grease	
511	S000002	1	Pin, 80 mm	
511A	S000092	2	Bushing 50 x 40mm	
511B	S001553	2	Bushing 50 x 50mm	
512	S000003	1	Pin, 80 mm	
515	S000142	8	Cap, Grease Fitting	
516	S000199	2	Slide Support	
516A	S000083	2	Bushing 70 x 50mm	
517	S000201	2	Pad, Wear	
518	S000203	1	Safety Channel, RH	
519	S000204	1	Safety Channel, LH	

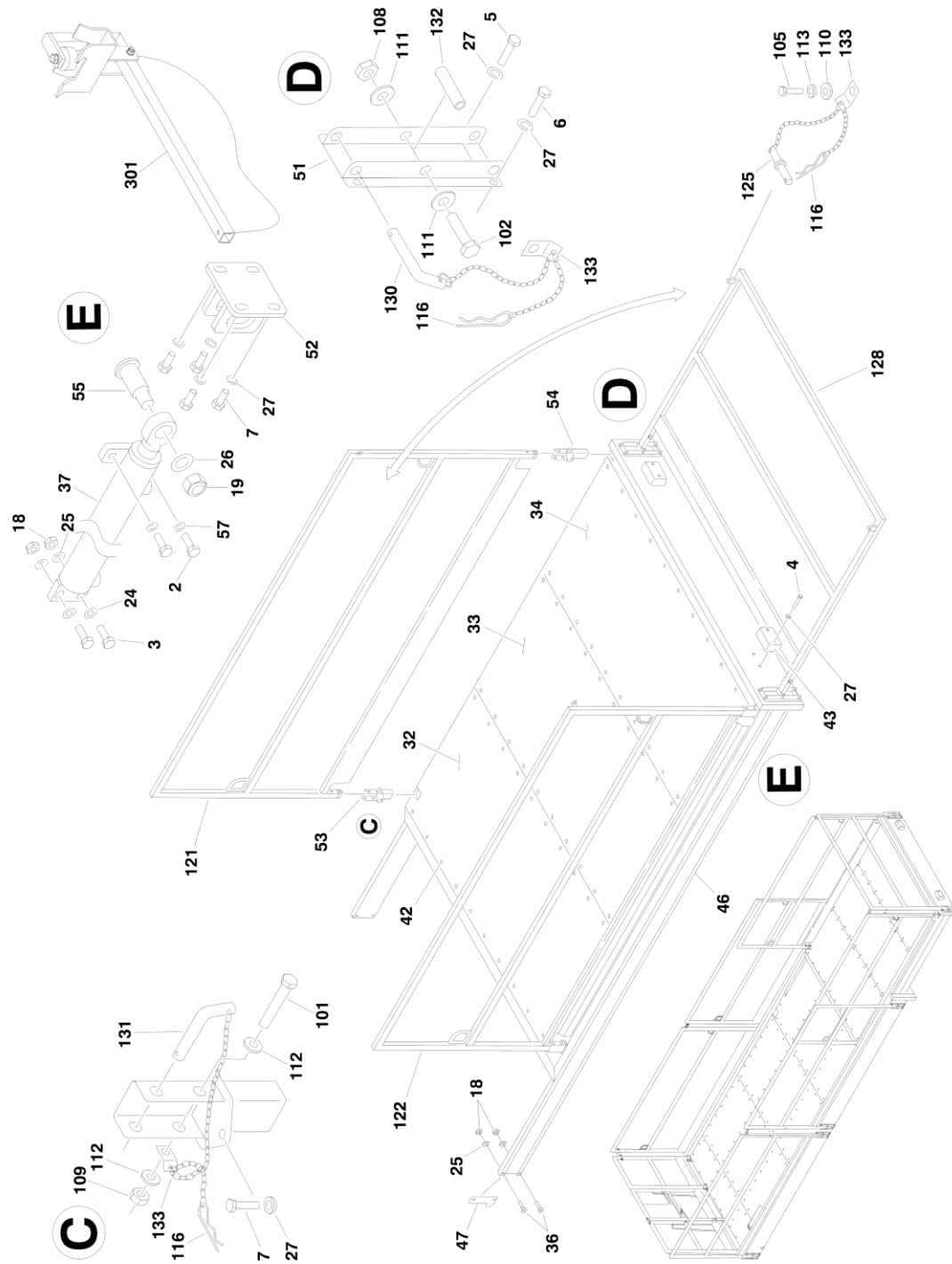
SECTION 4 - PLATFORM

SECTION 4 - PLATFORM

FIGURE 4-1. PLATFORM AND ACCESSORIES INSTALLATION



SECTION 4 - PLATFORM



SECTION 4 - PLATFORM

FIGURE 4-1. PLATFORM AND ACCESSORIES INSTALLATION

ITEM	PART NUMBER	QTY	DESCRIPTION	REV
	1001092809	Ref	PLATFORM INSTALLATION	D
		Ref	Note: If equipped with 10mm hardware, replace with 12mm Hardware.	
		Ref	Note: Replacement decals must be purchased separately - See DECALS SECTION for Breakdown.	
1	0630576	8	Screw, Countersunk M6 x 20mm	
2	0761214	4	Bolt M12 x 30mm	
3	0761217	4	Bolt M12 x 45mm	
4	0701020	4	Bolt M10 x 60mm	
5	0761008	4	Bolt M10 x 16mm	
6	0761010	4	Bolt M10 x 20mm	
7	0761012	44	Bolt M10 x 25mm	
11	2160016	6	Fitting, Grease	
16	3290605	8	Locknut M6	
18	3291205	8	Locknut M12	
19	3292005	2	Locknut M20	
20	3760523	2	Snap Ring	
21	3900376	12	Screw, Countersunk M4 x 13mm	
22	4031709	28	Bolt M6 x 25mm, Socket Head	
23	4811700	8	Flatwasher M6	
25	4812100	12	Flatwasher M12	
26	4812500	2	Flatwasher M20	
27	4832000	56	Lockwasher M10	
28	1001092937	1	Plate, Main Deck Front Floor	
29	1001092938	1	Plate, Main Deck Front Middle Floor	
30	1001092939	1	Plate, Main Deck Middle Floor	
31	1001092940	2	Plate, Main Deck Rear Floor	
32	1001092954	1	Plate, Extension Deck Front Floor	
33	1001092955	1	Plate, Extension Deck Middle Floor	
34	1001092958	1	Plate, Extension Deck Rear Floor	
35	1001093750	4	Snap Ring	
36	1001093791	4	Bolt, Countersunk M12 x 70mm	
37	H000046	2	Cylinder, Platform Extension (See CYLINDER SECTION for Breakdown)	
38	H000072	1	Valve, Flow Divider	
39	H000371	14	Clamp, Cable	
40	S000142	6	Cap, Grease Fitting	
41	S000237	2	Hinge	
42	S001445	136	Screw, Self-Tapping	
43	S001640	2	Bumper	
44	S200510	1	Main Deck Weldment	
45	S200518	4	Roller, Deck Extension	
46	S200528	1	Extension Deck Weldment	
47	S200529	2	Plate, Stop	
48	S200536	1	Connector Box	
49	S900170	2	Roller, Support	
50	S900178	1	Door, Connector Compartment	
51	S900269	10	Bracket, Railing Pivot	
52	S900276	2	Bracket, Extension Cylinder Attaching	
53	S900277	2	Bracket, Extension Deck Short Railing Pivot	

SECTION 4 - PLATFORM

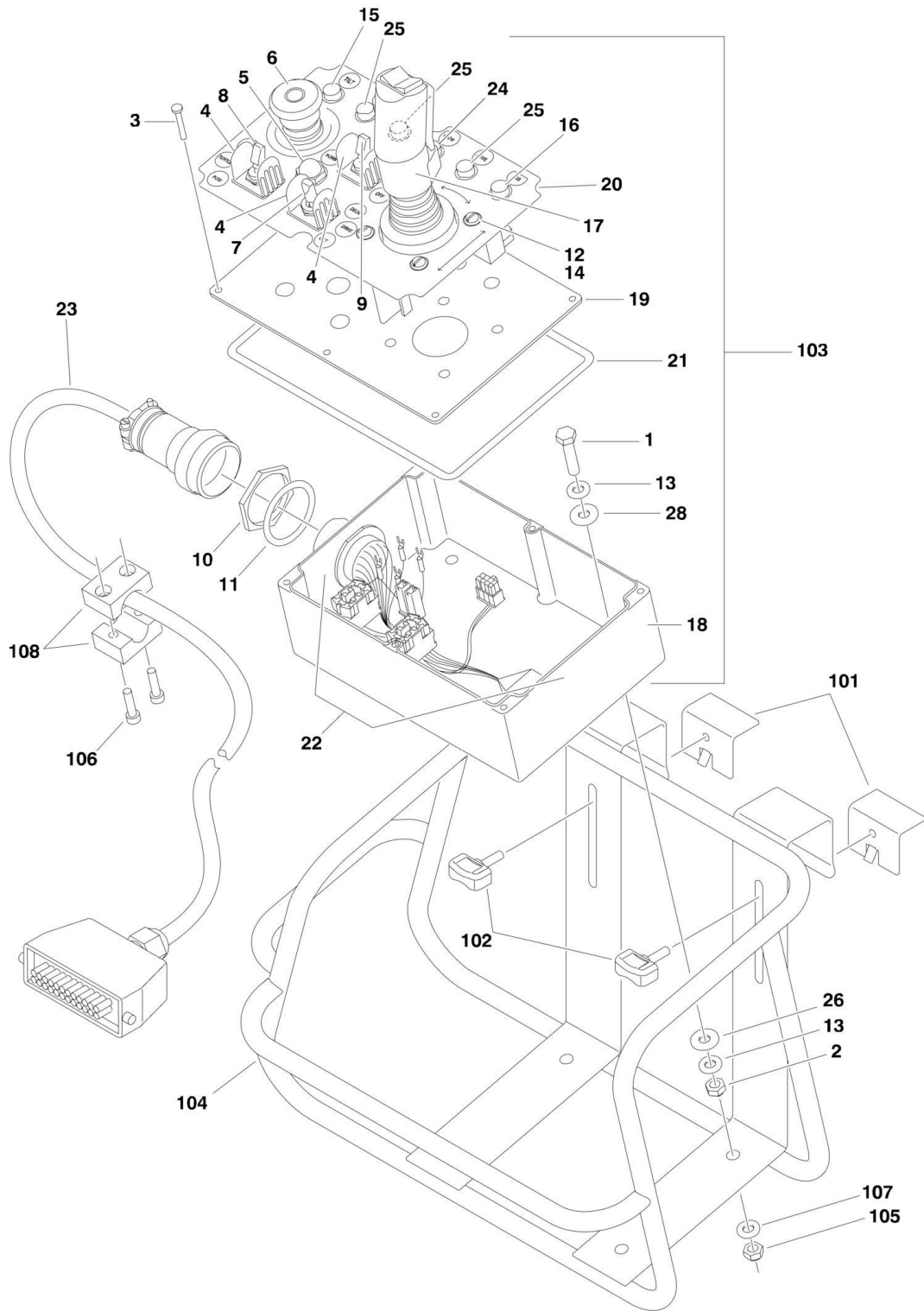
ITEM	PART NUMBER	QTY	DESCRIPTION	REV
54	S900278	2	Bracket, Extension Deck Long Railing Pivot	G
55	S900289	2	Pin, Extension Cylinder	
56	S900291	16	Plate, Nut	
57	4832100	4	Lockwasher M12	
	1001092789	Ref	RAILS INSTALLATION	
101	0761228	8	Bolt M10 x 110mm	
102	0701029	10	Bolt M10 x 120mm	
103	0701217	2	Bolt M12 x 45mm	
104	0701218	2	Bolt M12 x 50mm	
105	0760608	6	Bolt M6 x 16mm	
106	0760615	1	Bolt M6 x 35mm	
107	3290605	1	Locknut M6	
108	3291005	10	Locknut M10	
109	3291205	16	Locknut M12	
110	4811700	8	Flatwasher M6	
111	4812000	20	Flatwasher M10	
112	4812100	28	Flatwasher M12	
113	4831700	8	Lockwasher M6	
114	S200512	1	Rail, Side (Right Rear)	
115	S200514	1	Rail, Side (Left Rear)	
116	S000145	24	3mm Spring Cotter	
117	1001101886	1	Rail, Right Front	
118	S200238	1	Latch, Gate	
119	S200511	1	Rail, Side (Right Front)	
120	S200513	1	Rail, Side (Left Front)	
121	S200531	1	Rail, Right	
122	S200532	1	Rail, Left	
123	S200540	2	Link, Corner	
124	S200542	2	Link, Side	
125	S900113	2	Pin	
126	S900117	4	Pin	
127	S900118	4	Bracket, Corner Link	
128	S900235	1	Rail, Rear	
129	S900264	1	Gate and Left Rail Assembly	
129A	2080040	16	Fastener, Huck	
129B	2600281	2	Hinge	
129C	1001101884	1	Rail, Left Front	
129D	1001101885	1	Gate	
130	S900268	10	Pin	
131	S900271	8	Pin	
132	S900274	10	Spacer	
133	S900275	24	Chain Assembly (Includes Mounting Plate and Attaching Ring)	
134	2080040	3	Fastener, Huck	
135	S200027-11	1	Plate, Manual Box Attaching	
136	0760612	2	Bolt M6 x 25mm	
137	1001103161	1	Plate, Adjustable Lock	
	0275784	Ref	RECEPTACLES INSTALLATION	C
214	E000016	1	Connector, Strain Relief	
215	1001097369	1	Nut, Strain Relief	
216	1001097370	1	Nut, Strain Relief	
217	E000045	1	Connector, Strain Relief	

SECTION 4 - PLATFORM

ITEM	PART NUMBER	QTY	DESCRIPTION	REV
301	1001094298	1	HAND RAIL TOOL	A

SECTION 4 - PLATFORM

FIGURE 4-2. PLATFORM CONSOLE ASSEMBLY AND INSTALLATION



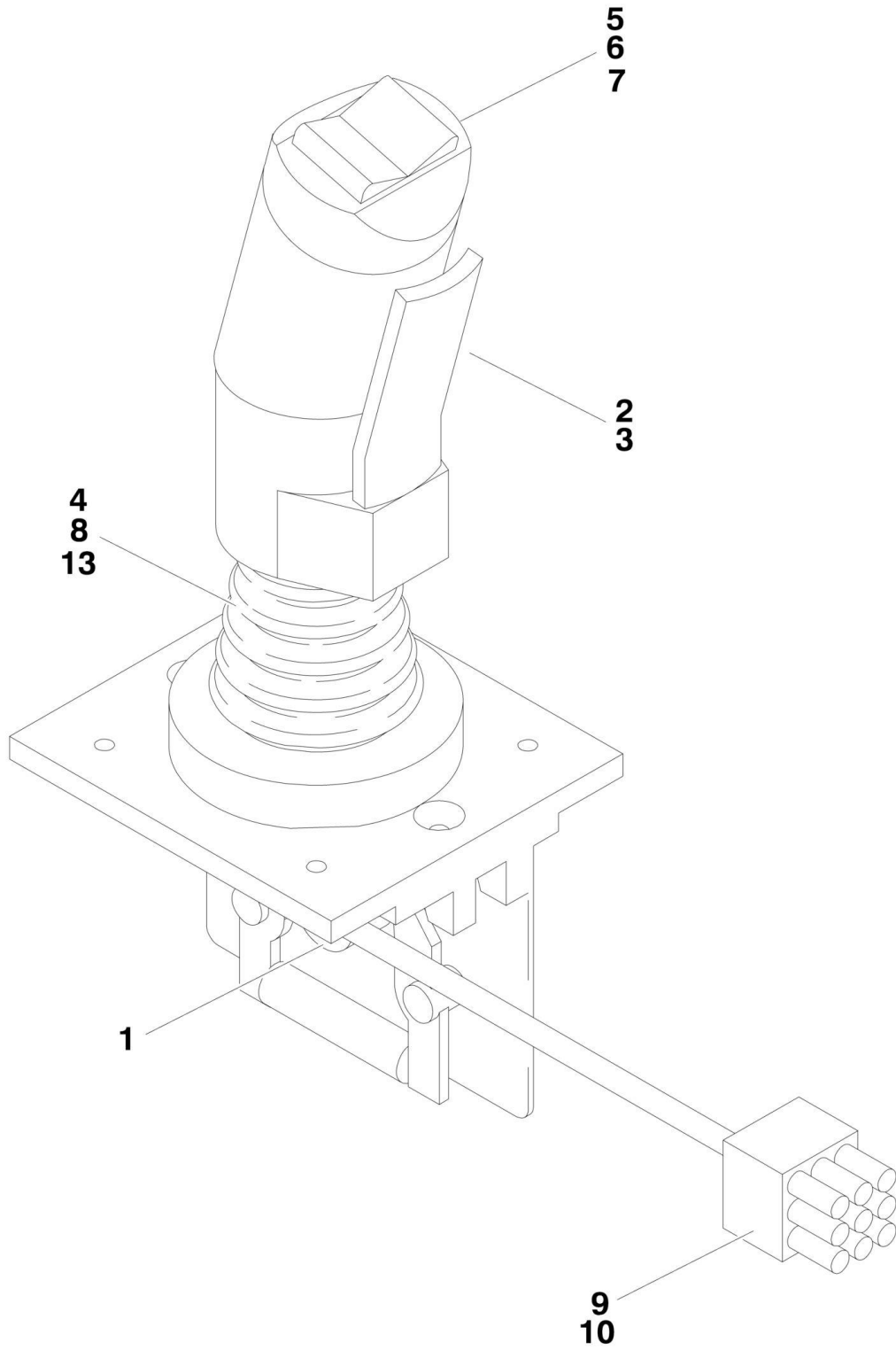
SECTION 4 - PLATFORM

FIGURE 4-2. PLATFORM CONSOLE ASSEMBLY AND INSTALLATION

ITEM	PART NUMBER	QTY	DESCRIPTION	REV
	E900027	Ref	PLATFORM CONSOLE ASSEMBLY	F
1	0760815	4	Bolt M8 x 35mm	
2	3290805	4	Locknut M8	
3	4010414	6	Screw M4 x 30mm	
4	4060802	3	Guard, Switch	
5	4360387	1	Switch, Push Button	
6	4360475	1	Switch, Emergency Stop	
6	7020175	1	Cap, Red	
6	7020176	1	Block, Contact	
7	4360525	1	Switch, Toggle	
8	4360693	1	Switch, Toggle	
9	4360698	1	Switch, Toggle	
10	4460470	1	Nut, Terminal	
11	4460471	1	Lockwasher, Terminal	
12	4740120	4	Washer, Nylon	
13	4811900	8	Flatwasher M8	
14	8303891	4	Screw #10-32NF x 3/4in	
15	E000419	1	Light, LED (Red)	
16	E000420	1	Light, Flashing LED (Red)	
17	E900025	1	Drive/Steer Controller Assembly (See DRIVE/STEER CONTROLLER ASSEMBLY for Breakdown)	
18	1001096367	1	Box, Control	
19	E900029	1	Lid, Control Box	
20	E900030	1	Decal, Console	
21	E900031	1	Seal	
22	E900041	1	Harness, Platform Console Box (See ELECTRICAL SECTION for Breakdown)	
23	E900042	1	Harness, Jumper (See ELECTRICAL SECTION for Breakdown)	
24	E900048	1	Light, LED (Yellow)	
25	E900049	3	Light, LED (Green)	
26	4811902	8	Flatwasher M8	
	0275611	Ref	PLATFORM CONSOLE INSTALLATION	B
101	0181847	2	Clamp, Console Bracket	
102	2560141	2	Screw, Thumb	
103	E900027	1	Console Assembly, Platform (see Items 1 - 26 for Breakdown)	
104	1001096366	1	Bracket, Console Panel	
105	3290805	4	Locknut M8	
106	4031709	2	Screw M6 x 25mm	
107	4811900	4	Flatwasher M8	
108	H000371	1	Clamp, Cable	

SECTION 4 - PLATFORM

FIGURE 4-3. DRIVE/STEER CONTROLLER ASSEMBLY



SECTION 4 - PLATFORM

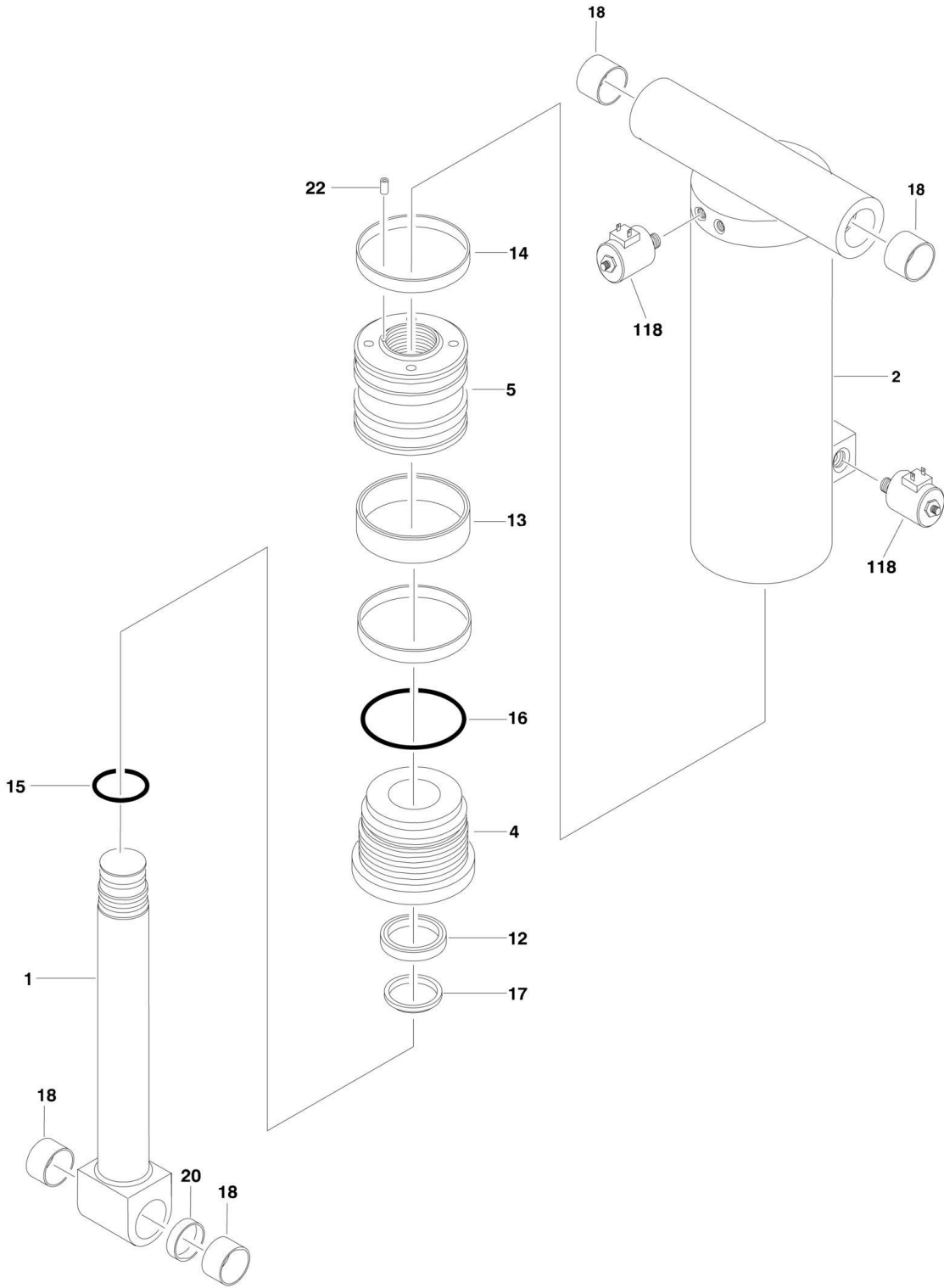
FIGURE 4-3. DRIVE/STEER CONTROLLER ASSEMBLY

ITEM	PART NUMBER	QTY	DESCRIPTION	REV
	E900025		DRIVE/STEER CONTROLLER ASSEMBLY	B
1	70000081	1	Potentiometer	
2	7027367	1	Switch, Push Button	
3	7027765	1	Lever, Enabler	
4	7027766	1	Ring, Retaining	
5	70000082	1	Microswitch	
6	70000083	1	Coupler, Microswitch	
7	70000084	1	Cap, Rubber	
8	70000085	1	Boot, Rubber	
9	4460265	1	Connector - 9 Pin	
10	4460226	6	Socket, Female	
11	4460266	1	Connector - 9 Pin (Not Shown - Part of Console Harness)	
12	4460267	6	Pin, Male (Not Shown - Part of Console Harness)	
13	70000685	1	Washer, Plastic Bushing	
14	70000684	AR	Screw, Handle (Not Shown)	
15	Not Available	AR	Nut, Handle (Not Shown)	
16	70000683	AR	Washer, Neoprene (Not Shown)	
17	70000686	AR	Screw, Handle (Not Shown)	

SECTION 5 - CYLINDER

SECTION 5 - CYLINDER

FIGURE 5-1. AXLE LOCKOUT CYLINDER ASSEMBLY



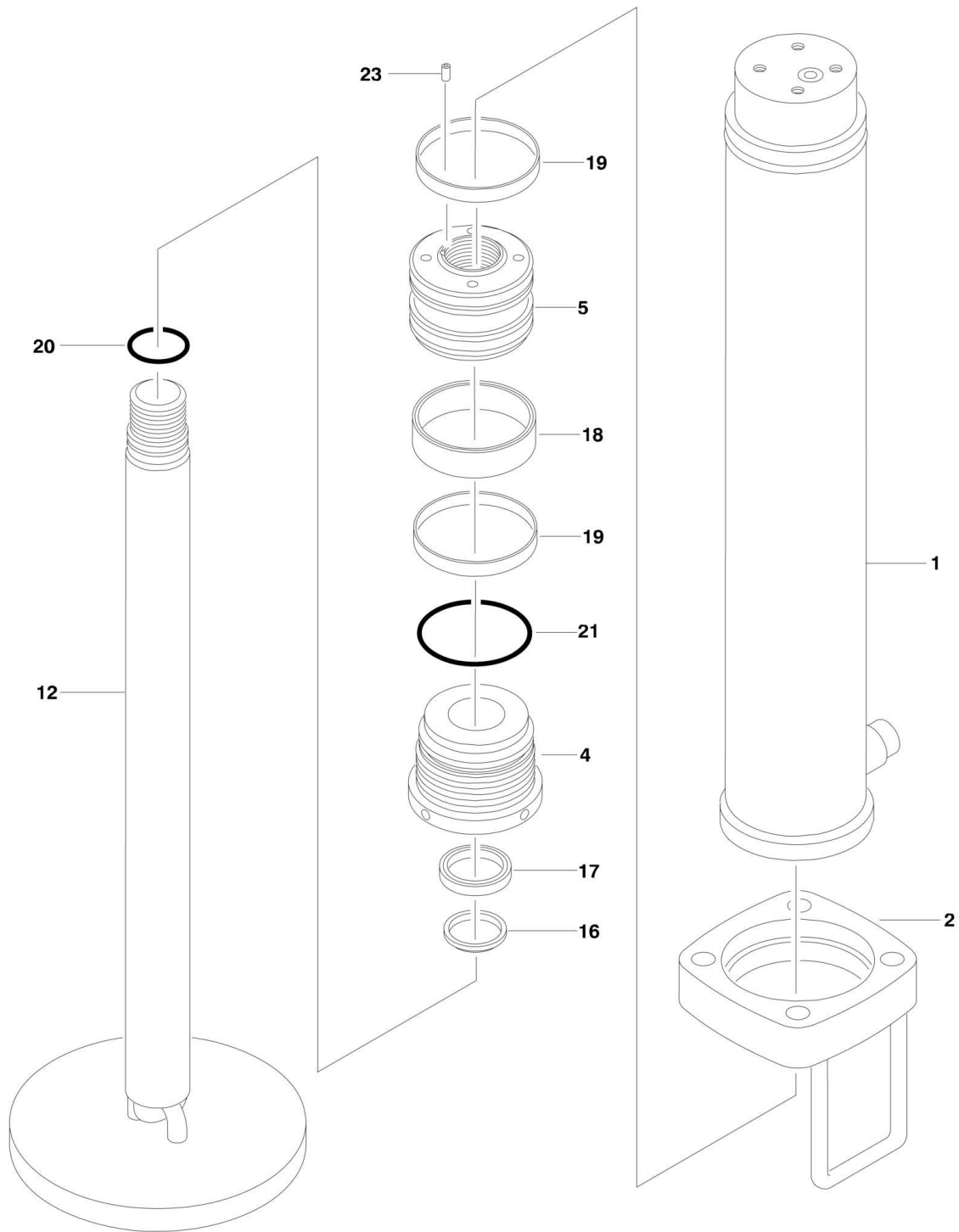
SECTION 5 - CYLINDER

FIGURE 5-1. AXLE LOCKOUT CYLINDER ASSEMBLY

ITEM	PART NUMBER	QTY	DESCRIPTION	REV
	H000623	Ref	AXLE LOCKOUT CYLINDER ASSEMBLY	B
1	S200497	1	Piston Rod	
2	S200498	1	Cylinder	
4	S200500	1	Piston	
5	S200499	1	Cylinder Head	
12	H003009	1	Rod Seal	
13	H003008	1	Piston Seal	
14	H003006	2	Wear Ring	
15	H003002	1	O-Ring	
16	H003001	1	O-Ring	
17	H003000	1	Wiper Ring	
18	S001493	4	Bushing	
20	70000202	1	Spacer	
22	Not Available	1	Setscrew	
		Ref	Note: No seal kit available. Purchase individual seals.	
	1001092323	Ref	HYDRAULIC DIAGRAM	2
118	H000280	4	Valve, Load Check	
118	7012986	AR	Coil	
118	7024897	AR	Cartridge	
118	7012972	AR	Seal Kit	

SECTION 5 - CYLINDER

FIGURE 5-2. LEVELING CYLINDER ASSEMBLY



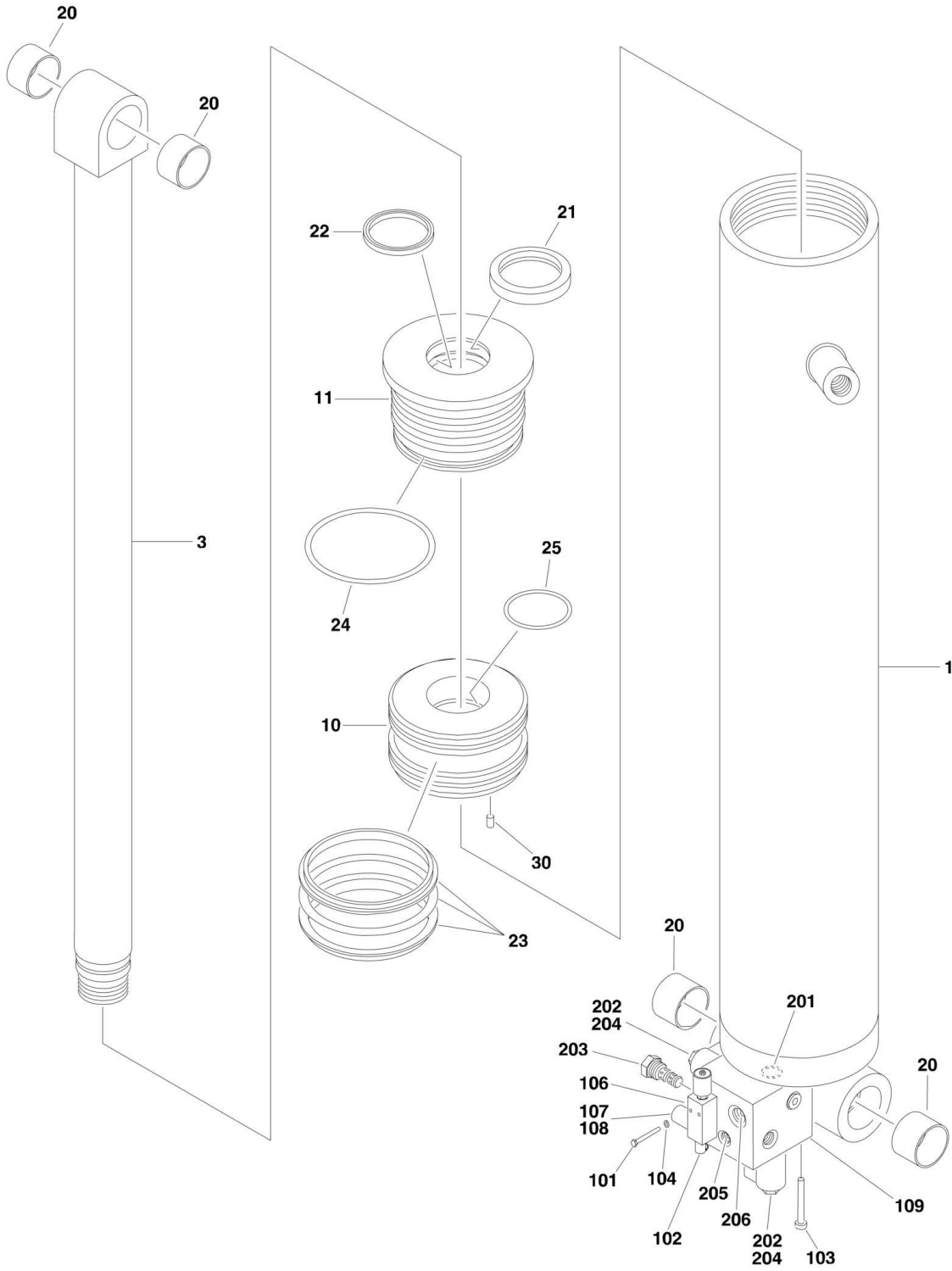
SECTION 5 - CYLINDER

FIGURE 5-2. LEVELING CYLINDER ASSEMBLY

ITEM	PART NUMBER	QTY	DESCRIPTION	REV
		Ref	LEVELING CYLINDER ASSEMBLY	
	H000621	Ref	Right Front, Left Rear	B
	H000622	Ref	Left Front, Right Rear	B
1		Ref	Cylinder Barrel Options:	
1	S200488	1	H000621 Cylinder	
1	70000201	1	H000622 Cylinder	
2	S200491	1	Jack Pad Stop Flange Weldment	
4	S200489	1	Cylinder Head	
5	S200490	1	Piston	
12	S200487	1	Cylinder Rod with Grd Pad	
16	H003013	1	Wiper	
17	H003011	1	Rod Seal	
18	H003008	1	Piston Seal	
19	H003006	2	Wear Ring	
20	H003003	1	O-Ring	
21	H003001	1	O-Ring	
23	Not Available	1	Setscrew	
		Ref	Note: No seal kit available. Purchase individual seals.	

SECTION 5 - CYLINDER

FIGURE 5-3. LIFT CYLINDER ASSEMBLY



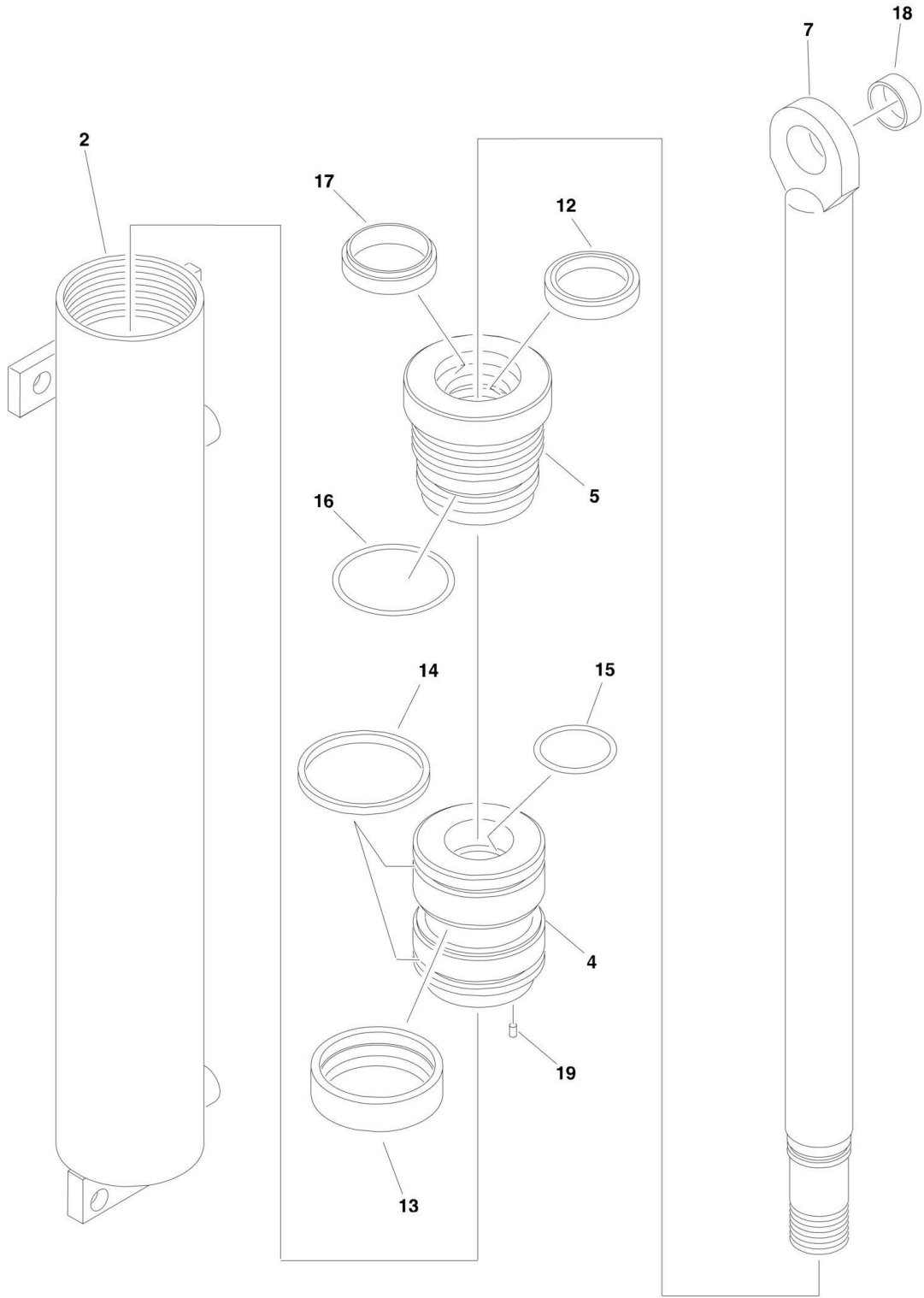
SECTION 5 - CYLINDER

FIGURE 5-3. LIFT CYLINDER ASSEMBLY

ITEM	PART NUMBER	QTY	DESCRIPTION	REV
	H000620	Ref	LIFT CYLINDER ASSEMBLY	
1	S000209	1	Cylinder Barrel Weldment	
3	S000212	1	Cylinder Rod	
4	H900043	1	Valve Block Assembly (See Items 181A to 181E for Breakdown)	
10	S000210	1	Piston	
11	S000211	1	Cylinder Head	
20	S001498	4	Bushing	
21	H003086	1	Wiper	
22	H003012	1	Rod Seal	
23	H000101	1	Piston Seal Set	
24	H003005	1	O-Ring	
25	H003004	1	O-Ring	
26	70000150	1	O-Ring	
30	S000213	1	Setscrew	
		Ref	Note: No seal kit available. Purchase individual seals.	
	1001091423	Ref	LIFT CYLINDER AND VALVE COMPLETE	C
101	5271512	2	Bolt M5 x 40mm	
102	2221222	1	Fitting, Diagnostic Test	
103	4032025	4	Bolt M10 x 120mm, Socket Head	
104	4831600	2	Lockwasher M5	
106	1001101157	1	Manifold, Pressure Sensor	
107	H705722	2	Sensor, Pressure	
108	H705724	2	Cap, Pressure Sensor	
109	H900043	1	Lift/Lower Valve Block Assembly (See Items 201 - 204 for Breakdown)	
	H900043	Ref	LIFT/LOWER VALVE BLOCK ASSEMBLY ONLY	C
201	70000150	1	O-Ring	
202	70000219	2	Cartridge, Solenoid Valve (Less Coil)	
202	7023919	2	Seal Kit - 70000219 Cartridge	
203	70000220	1	Check Valve Cartridge Less Coil	
203	7021632	1	Seal Kit - 70000220 Cartridge	
204	7017444	2	Coil	
205	Not Available	1	Orifice	
206	Not Available	1	Orifice	

SECTION 5 - CYLINDER

FIGURE 5-4. PLATFORM EXTENSION CYLINDER ASSEMBLY



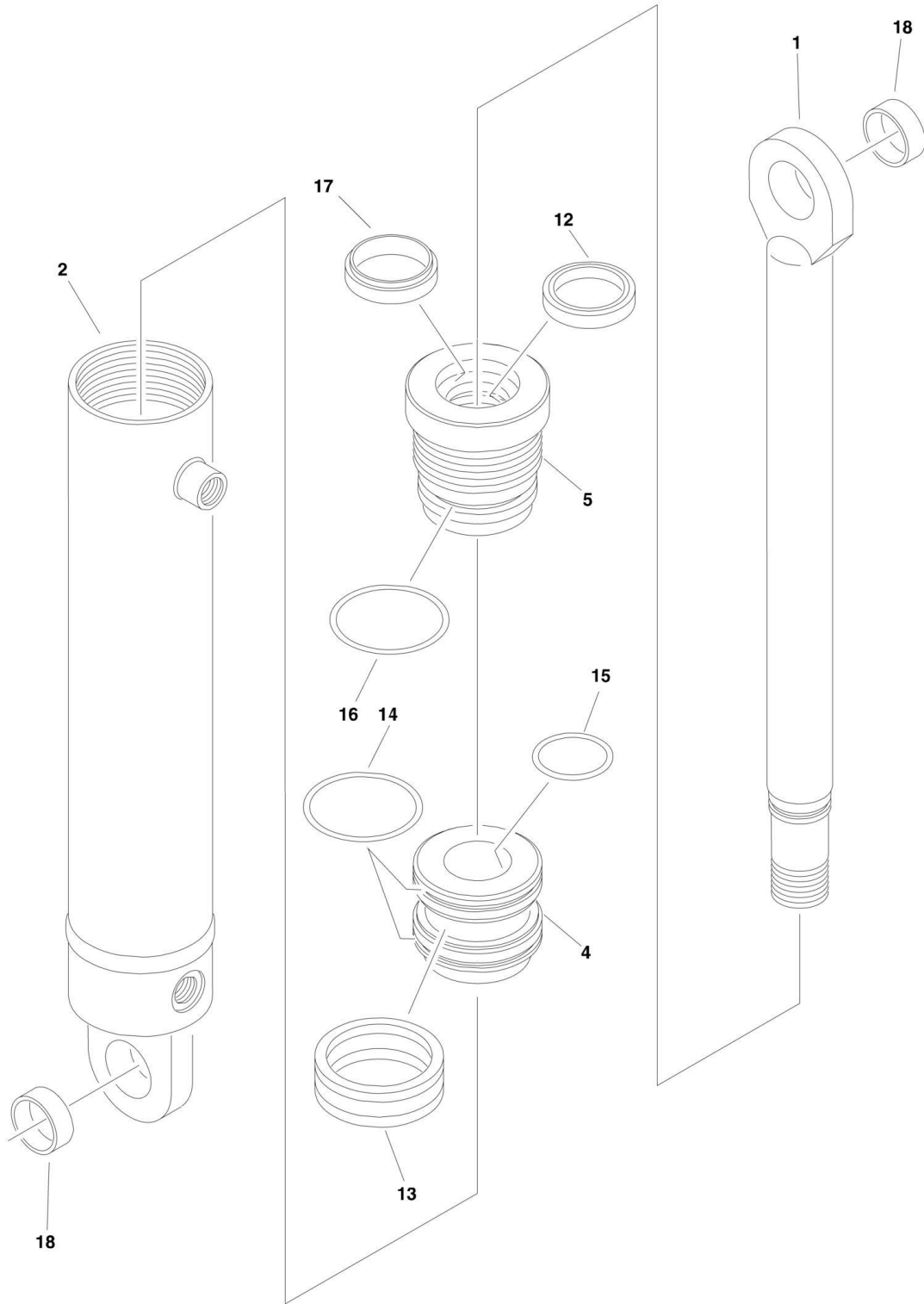
SECTION 5 - CYLINDER

FIGURE 5-4. PLATFORM EXTENSION CYLINDER ASSEMBLY

ITEM	PART NUMBER	QTY	DESCRIPTION	REV
	H000046	Ref	PLATFORM EXTENSION CYLINDER ASSEMBLY	
2	S200503	1	Cylinder, Barrel	
4	S200505	1	Piston	
5	S200506	1	Cylinder Head	
7	S200502	1	Piston Rod	
12	H003060	1	Rod Seal	
13	70000198	1	Piston Seal	
14	H003116	2	Wear Ring	
15	H003104	1	O-Ring	
16	H003080	1	O-Ring	
17	H003062	1	O-Ring	
18	S000265	1	Bushing	
19	Not Available	1	Setscrew	
		Ref	Note: No seal kit available. Purchase individual seals.	

SECTION 5 - CYLINDER

FIGURE 5-5. STEERING CYLINDER ASSEMBLY



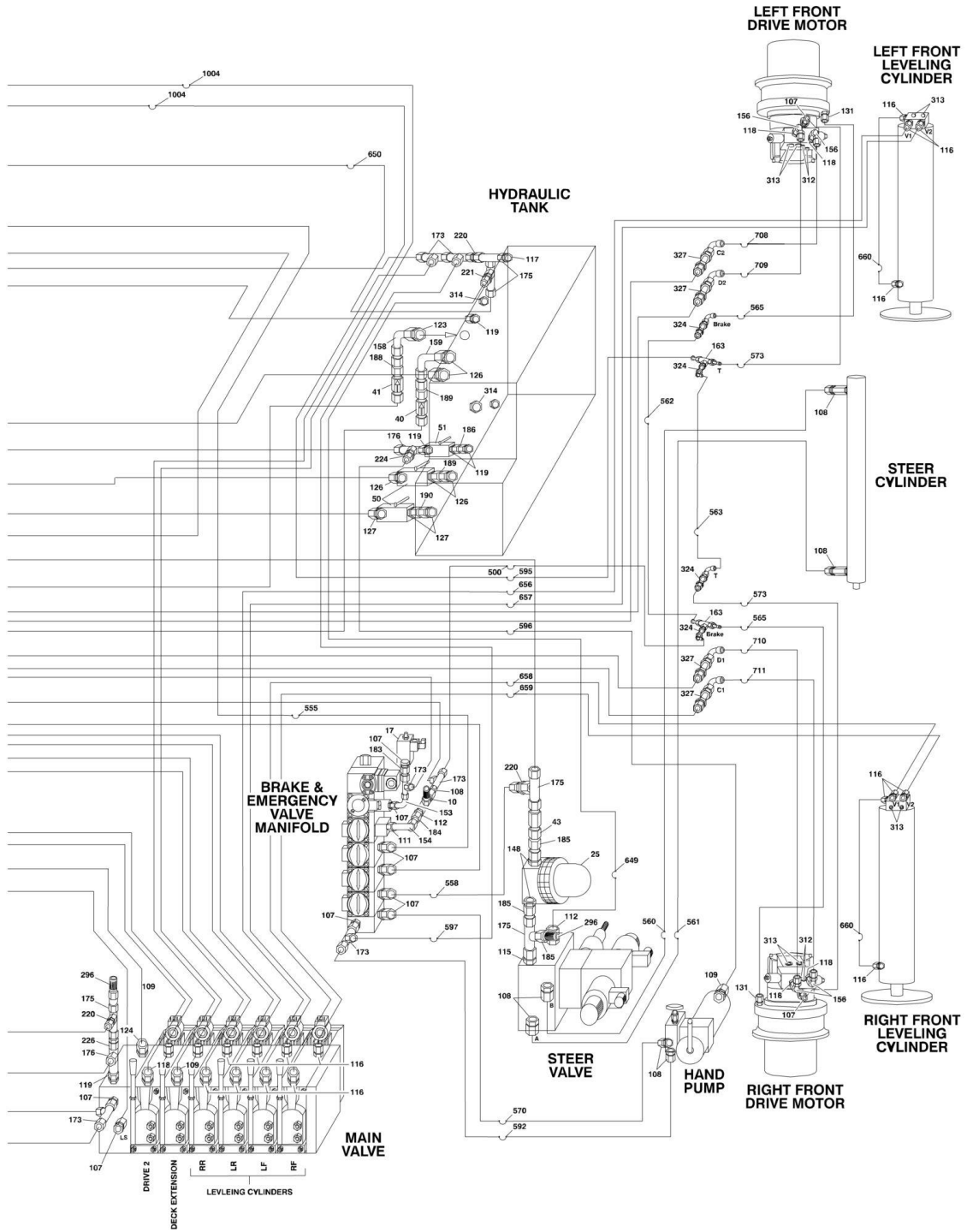
SECTION 5 - CYLINDER

FIGURE 5-5. STEERING CYLINDER ASSEMBLY

ITEM	PART NUMBER	QTY	DESCRIPTION	REV
	H000624	Ref	STEERING CYLINDER ASSEMBLY	
1	S200482	1	Cylinder Rod	
2	S200483	1	Cylinder Barrel	
4	S200484	1	Piston	
5	S200485	1	Cylinder Head	
12	H003087	1	Rod Seal	
13	H003093	1	Piston Seal	
14	H003116	2	Wear Ring	
15	H003104	1	O-Ring	
16	H005271	1	O-Ring	
17	H003081	1	Wiper	
18	S001553	2	Bushing	
		Ref	Note: No seal kit available. Purchase individual seals.	

SECTION 6 - HYDRAULIC

SECTION 6 - HYDRAULIC



SECTION 6 - HYDRAULIC

FIGURE 6-1. HYDRAULIC DIAGRAM (SN 1200022107 through 1200023452)

ITEM	PART NUMBER	QTY	DESCRIPTION	REV
	1001092323	Ref	HYDRAULIC DIAGRAM	C
	1001092326	Ref	INLINE VALVE KIT	2
10	H000018	1	Throttle Valve, Lowering Speed Adjustment	
17	H000536	1	Switch, Pressure (Not Serviceable - Replace Complete Switch)	
18	H000280	4	Valve, Load Check	
18	7012986	AR	Coil	
18	7024897	AR	Cartridge	
18	7012972	AR	Seal Kit	
25	H000311	1	Filter, Mini High Pressure	
25	70000020	1	Element	
25	70000021	1	Seal	
40	H000273	1	Check Valve RHD 35-PL	
41	H000305	1	Check Valve RHD 28-PL	
42	H000339	1	Check Valve RHD 18-PL	
43	H000115	1	Check Valve RHD 15-PL	
45	H000705	1	Check Valve, Retract Resistor	
50	H000278	2	Ball Valve, Low-Pressure	
51	H000335	1	Ball Valve, Low-Pressure	
	1001092324	Ref	HYDRAULIC FITTING KIT	2
107	2142708	13	Fitting, Straight	
108	2142709	14	Fitting, Straight	
109	2142710	3	Fitting, Straight	
111	2142711	1	Fitting, Straight	
112	2142712	2	Fitting, Straight	
115	2142714	2	Fitting, Straight	
116	2142715	24	Fitting, Straight	
117	2142757	1	Fitting, Straight	
118	2142716	10	Fitting, Straight	
119	2142717	16	Fitting, Straight	
122	2142748	6	Fitting, Straight	
123	2142719	1	Fitting, Straight	
124	2142744	1	Fitting, Straight	
125	2142720	2	Fitting, Straight	
126	2142742	5	Fitting, Straight	
127	2142721	3	Fitting, Straight	
129	2142741	1	Fitting, Straight	
131	H000151	4	Special Adapter Fitting	
148	2142751	2	Fitting, Straight	
149	2142718	1	Fitting, Straight	
151	2221222	1	Fitting, Test Port	
153	2143403	1	Fitting, 90	
154	2143404	1	Fitting, 90	
156	2143406	5	Fitting, 90	
157	2143407	4	Fitting, 90	
158	2143408	1	Fitting, 90	
159	2143409	2	Fitting, 90	
163	2142103	2	Fitting, Tee	
173	2142203	10	Fitting, Tee	
175	2142205	5	Fitting, Tee	
176	2142206	3	Fitting, Tee	

SECTION 6 - HYDRAULIC

ITEM	PART NUMBER	QTY	DESCRIPTION	REV
179	2142209	1	Fitting, Tee	
183	2143603	1	Union, Swivel	
184	2143604	1	Union, Swivel	
185	2143605	3	Union, Swivel	
186	2143606	2	Union, Swivel	
188	2143608	1	Union, Swivel	
189	2143609	2	Union, Swivel	
190	2143610	1	Union, Swivel	
193	2141908	1	Fitting, Tee	
220	2143510	3	Reducer, Swivel	
221	2143511	1	Reducer, Swivel	
224	2143514	2	Reducer, Swivel	
226	2143516	1	Reducer, Swivel	
232	2143522	2	Reducer, Swivel	
245	2143532	3	Reducer, Swivel	
246	2143533	2	Reducer, Swivel	
271	2143704	1	Fitting, 90, Flange	
272	2143705	1	Fitting, 90, Flange	
276	2143709	2	Fitting, 90, Flange	
293	1001094503	1	Adapter Plate (Includes (1)o-ring and (4)screws)	
296	2144105	2	Diagnostic Tip/EO Swivel M22x1.5 VKA 3/15LA3C	
312	2143803	4	Plug, 1/4in	
313	2143807	12	Plug, 1/2in	
314	2143809	2	Plug, 3/4in	
324	2141503	4	Union, Bulkhead	
327	2141506	4	Union, Bulkhead	
450	2171816	1	Flange Kit (3000psi) (Includes 1-O-Ring, 4-Screws and 4 Washers)	
460	2171716	1	Flange Kit (6000psi) (Includes 1-O-Ring, 4-Screws and 4 Washers)	
470	2171712	3	Flange Kit (6000psi) (Includes 1-O-Ring, 4-Screws and 4 Washers)	
495	2221237	1	Elbow, 90, Adapter to Swivel	
	1001092325	Ref	HYDRAULIC HOSE KIT	2
500	2754563	1	Hose	
554	2754561	1	Hose	
555	2754574	1	Hose	
556	2754560	1	Hose	
557	2754568	1	Hose	
558	2754556	1	Hose	
559	2754555	1	Hose	
560	2754575	1	Hose	
561	2754575	1	Hose	
562	2754566	1	Hose	
563	2754566	1	Hose	
565	2754494	2	Hose	
566	2754371	1	Hose	
567	2754572	1	Hose	
568	2754557	1	Hose	
569	2754558	1	Hose	
570	2754562	1	Hose	
571	2754565	1	Hose	

SECTION 6 - HYDRAULIC

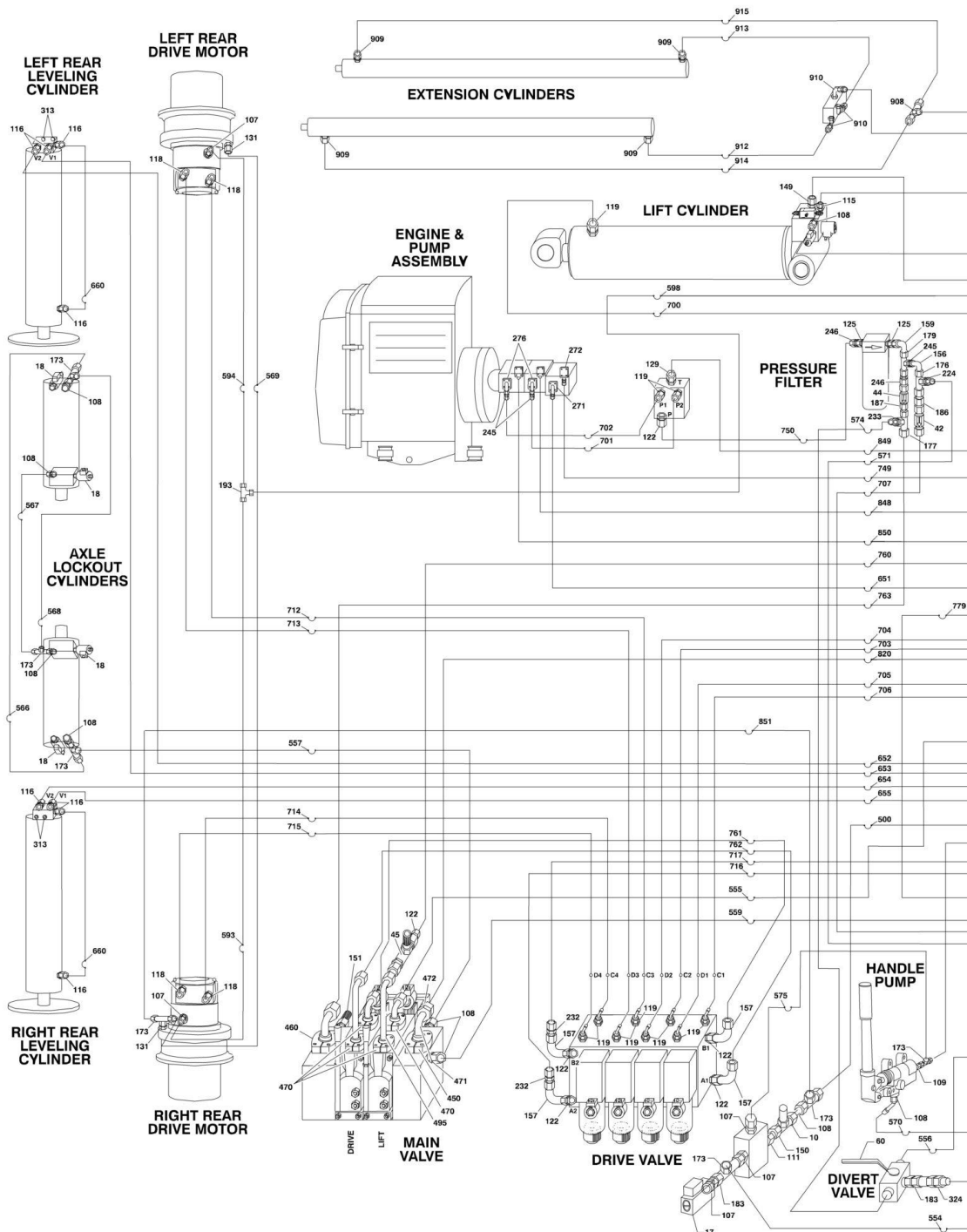
ITEM	PART NUMBER	QTY	DESCRIPTION	REV
573	2754564	2	Hose	
592	2754549	1	Hose	
593	2754550	1	Hose	
594	2754550	1	Hose	
595	2754552	1	Hose	
596	2754554	1	Hose	
597	2754551	1	Hose	
598	2754553	1	Hose	
649	2754576	1	Hose	
650	2754581	1	Hose	
651	2754580	1	Hose	
652	2754579	1	Hose	
653	2754579	1	Hose	
654	2754578	1	Hose	
655	2754578	1	Hose	
656	2754578	1	Hose	
657	2754578	1	Hose	
658	2754577	1	Hose	
659	2754577	1	Hose	
660	2754582	4	Hose	
700	2754590	1	Hose	
701	2754591	1	Hose	
702	2754591	1	Hose	
703	2754589	1	Hose	
704	2754589	1	Hose	
705	2754588	1	Hose	
706	2754588	1	Hose	
707	2754587	1	Hose	
708	2754583	1	Hose	
709	2754583	1	Hose	
710	2754583	1	Hose	
711	2754583	1	Hose	
712	2754585	1	Hose	
713	2754585	1	Hose	
714	2754584	1	Hose	
715	2754584	1	Hose	
716	2754586	1	Hose	
717	2754586	1	Hose	
749	2754597	1	Hose	
750	2754593	1	Hose	
760	2754592	1	Hose	
761	2754594	1	Hose	
762	2754595	1	Hose	
763	2754596	1	Hose	
779	2754598	1	Hose	
820	2754600	1	Hose	
848	2754601	1	Hose	
849	2754599	1	Hose	
850	2754602	1	Hose	
851	2754475	1	Hose	
	1001092809	Ref	PLATFORM HYDRAULIC COMPONENTS	D

SECTION 6 - HYDRAULIC

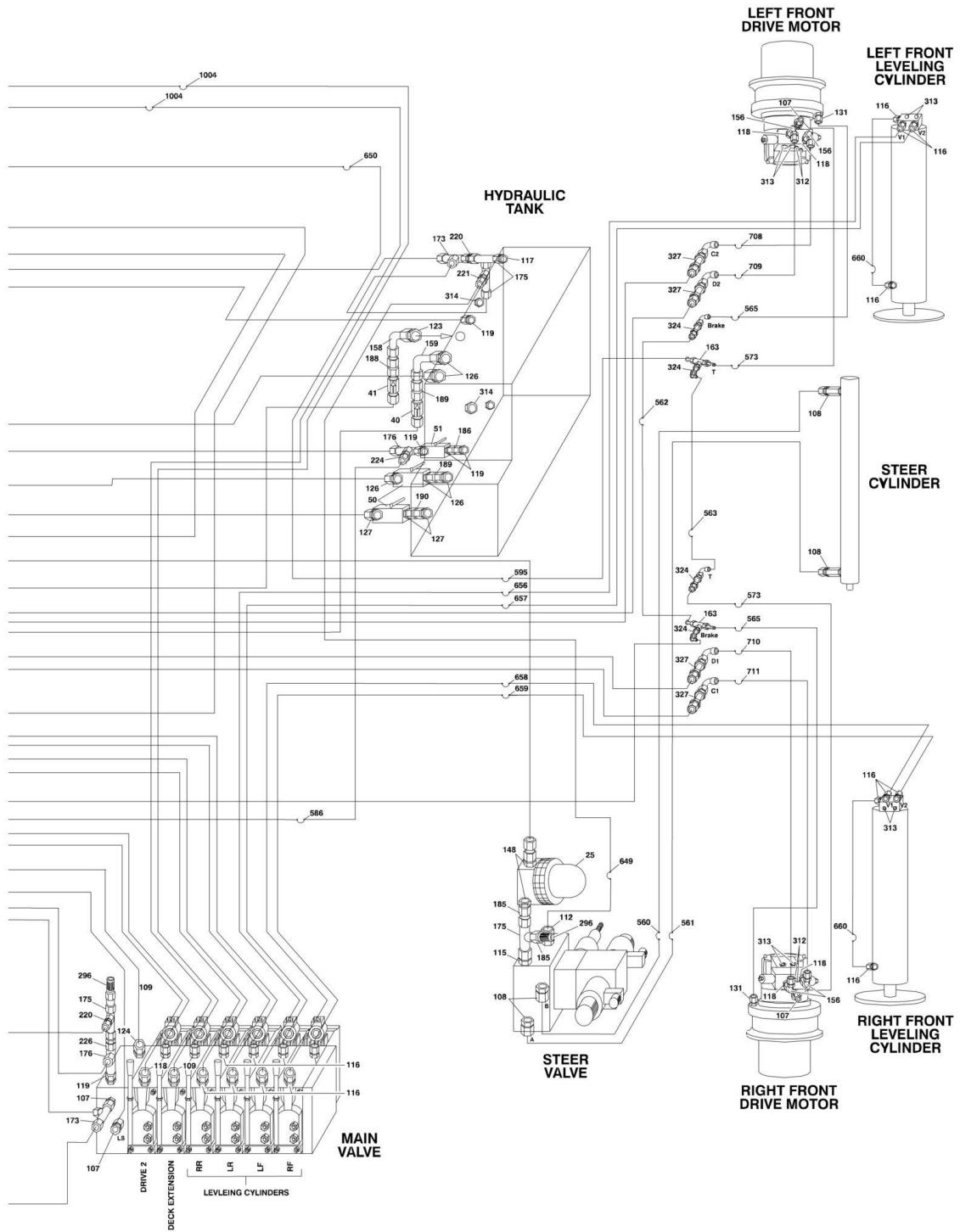
ITEM	PART NUMBER	QTY	DESCRIPTION	REV
908	2141908	1	Fitting, Tee	
909	2142709	4	Fitting, Straight	
910	2143403	3	Fitting, 90	
912	2754567	1	Hose	
913	2754569	1	Hose	
914	2754570	1	Hose	
915	2754571	1	Hose	
	1001091868	Ref	ARMS HYDRAULIC COMPONENTS	E
1004	2754559	2	Hose	

SECTION 6 - HYDRAULIC

FIGURE 6-2. HYDRAULIC DIAGRAM (SN 1200023453 to Present)



SECTION 6 - HYDRAULIC



SECTION 6 - HYDRAULIC

FIGURE 6-2. HYDRAULIC DIAGRAM (SN 1200023453 to Present)

ITEM	PART NUMBER	QTY	DESCRIPTION	REV
	1001092323	Ref	HYDRAULIC DIAGRAM	D
	1001092326	Ref	INLINE VALVE KIT	3
10	H000018	1	Throttle Valve, Lowering Speed Adjustment	
17	H000536	1	Switch, Pressure (Not Serviceable - Replace Complete Switch)	
18	H000280	4	Valve, Load Check	
18	7012986	AR	Coil	
18	7024897	AR	Cartridge	
18	7012972	AR	Seal Kit	
25	H000311	1	Filter, Mini High Pressure	
25	70000020	1	Element	
25	70000021	1	Seal	
40	H000273	1	Check Valve RHD 35-PL	
41	H000305	1	Check Valve RHD 28-PL	
42	H000339	1	Check Valve RHD 18-PL	
44	H000006	1	Check Valve RHD 22-PL	
45	H000705	1	Check Valve, Retract Resistor	
50	H000278	2	Ball Valve, Low-Pressure	
51	H000335	1	Ball Valve, Low-Pressure	
60	1001113080	1	Divert Valve, BK3-10L 1123L	
	1001092324	Ref	HYDRAULIC FITTING KIT	3
107	2142708	9	Fitting, Straight	
108	2142709	13	Fitting, Straight	
109	2142710	3	Fitting, Straight	
111	2142711	2	Fitting, Straight	
112	2142712	3	Fitting, Straight	
115	2142714	2	Fitting, Straight	
116	2142715	24	Fitting, Straight	
117	2142757	1	Fitting, Straight	
118	2142716	10	Fitting, Straight	
119	2142717	16	Fitting, Straight	
122	2142748	6	Fitting, Straight	
123	2142719	1	Fitting, Straight	
124	2142744	1	Fitting, Straight	
125	2142720	2	Fitting, Straight	
126	2142742	5	Fitting, Straight	
127	2142721	3	Fitting, Straight	
129	2142741	1	Fitting, Straight	
131	H000151	4	Special Adapter Fitting	
148	2142751	2	Fitting, Straight	
149	2142718	1	Fitting, Straight	
150	2142804	1	Fitting, Straight	
151	2221222	1	Fitting, Test Port	
156	2143406	5	Fitting, 90	
157	2143407	4	Fitting, 90	
158	2143408	1	Fitting, 90	
159	2143409	2	Fitting, 90	
163	2142103	2	Fitting, Tee	
173	2142203	9	Fitting, Tee	
175	2142205	4	Fitting, Tee	
176	2142206	3	Fitting, Tee	

SECTION 6 - HYDRAULIC

ITEM	PART NUMBER	QTY	DESCRIPTION	REV
177	2142207	1	Fitting, Tee	
179	2142209	1	Fitting, Tee	
183	2143603	2	Union, Swivel	
185	2143605	2	Union, Swivel	
186	2143606	2	Union, Swivel	
187	2143607	1	Union, Swivel	
188	2143608	1	Union, Swivel	
189	2143609	2	Union, Swivel	
190	2143610	1	Union, Swivel	
193	2141908	1	Fitting, Tee	
220	2143510	2	Reducer, Swivel	
221	2143511	1	Reducer, Swivel	
224	2143514	2	Reducer, Swivel	
226	2143516	1	Reducer, Swivel	
232	2143522	2	Reducer, Swivel	
233	2143519	1	Reducer, Swivel	
245	2143532	3	Reducer, Swivel	
246	2143533	2	Reducer, Swivel	
271	2143703	1	Fitting, 90, Flange	
272	2143705	1	Fitting, 90, Flange	
276	2143709	2	Fitting, 90, Flange	
296	2144105	2	Diagnostic Tip/EO Swivel M22x1.5 VKA 3/15LA3C	
312	2143803	4	Plug, 1/4in	
313	2143807	12	Plug, 1/2in	
314	2143809	2	Plug, 3/4in	
324	2141503	5	Union, Bulkhead	
327	2141506	4	Union, Bulkhead	
450	2171816	1	Flange Kit (3000psi) (Includes 1-O-Ring, 4-Screws and 4 Washers)	
460	2171716	1	Flange Kit (6000psi) (Includes 1-O-Ring, 4-Screws and 4 Washers)	
470	2171712	4	Flange Kit (6000psi) (Includes 1-O-Ring, 4-Screws and 4 Washers)	
471	2144411	1	Elbow, 90, Adapter to Swivel	
472	2143563	1	Reducer, Swivel	
495	2221237	1	Elbow, 90, Adapter to Swivel	
	1001092325	Ref	HYDRAULIC HOSE KIT	3
500	2754563	1	Hose	
554	2754561	1	Hose	
555	1001115607	1	Hose	
556	2754560	1	Hose	
557	2754568	1	Hose	
559	2754557	1	Hose	
560	2754575	1	Hose	
561	2754575	1	Hose	
562	2754566	1	Hose	
563	2754566	1	Hose	
565	2754494	2	Hose	
566	2754371	1	Hose	
567	2754572	1	Hose	
568	2754557	1	Hose	
569	2754558	1	Hose	

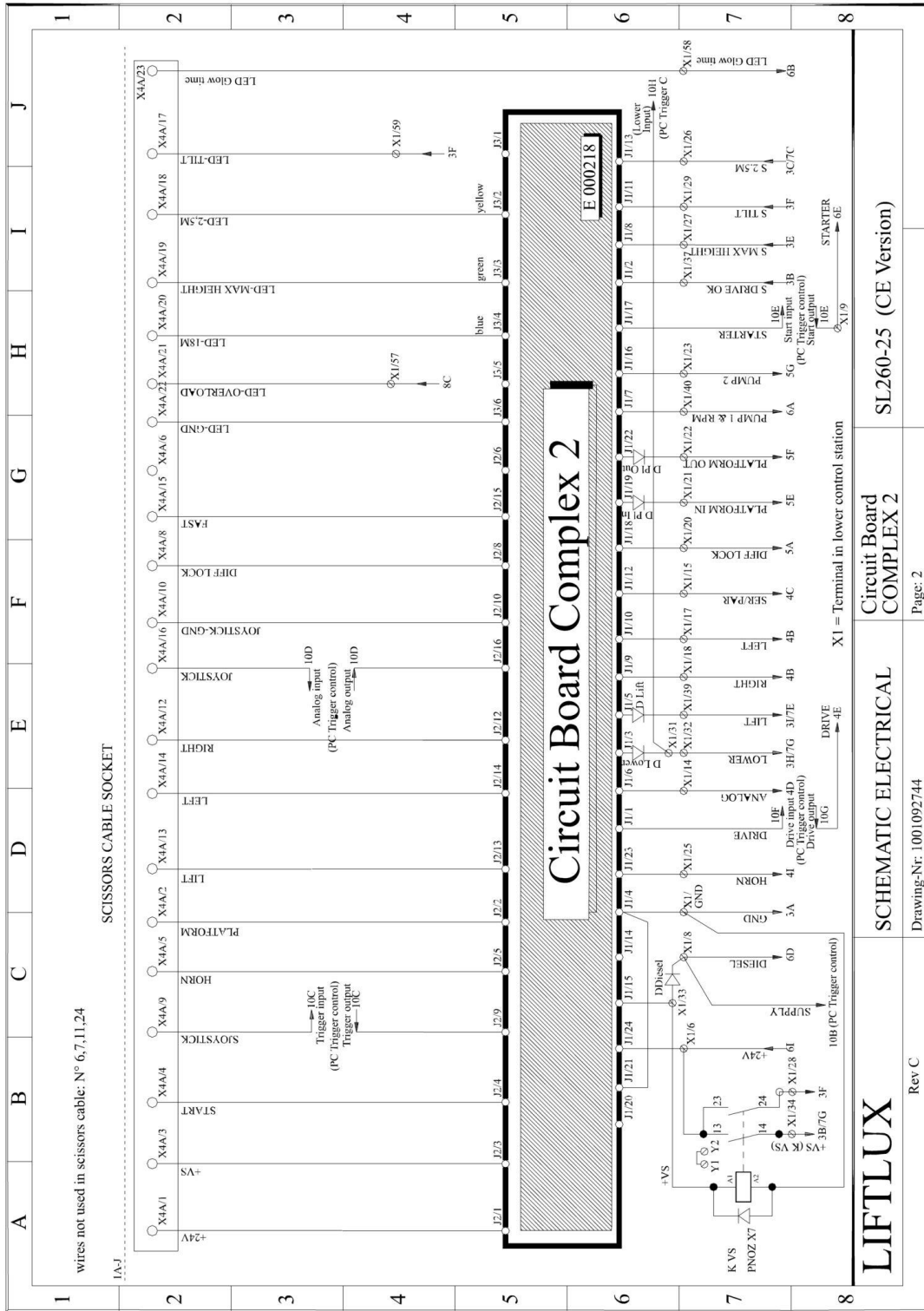
SECTION 6 - HYDRAULIC

ITEM	PART NUMBER	QTY	DESCRIPTION	REV
570	2754562	1	Hose	
571	2754565	1	Hose	
573	2754564	2	Hose	
574	2754564	1	Hose	
593	2754550	1	Hose	
594	2754550	1	Hose	
595	2754552	1	Hose	
596	2754554	1	Hose	
598	2754553	1	Hose	
649	2754576	1	Hose	
650	2754581	1	Hose	
651	2754580	1	Hose	
652	2754579	1	Hose	
653	2754579	1	Hose	
654	2754578	1	Hose	
655	2754578	1	Hose	
656	2754578	1	Hose	
657	2754578	1	Hose	
658	2754577	1	Hose	
659	2754577	1	Hose	
660	2754582	4	Hose	
700	2754590	1	Hose	
701	2754591	1	Hose	
702	2754591	1	Hose	
703	2754589	1	Hose	
704	2754589	1	Hose	
705	2754588	1	Hose	
706	2754588	1	Hose	
707	2754587	1	Hose	
708	2754583	1	Hose	
709	2754583	1	Hose	
710	2754583	1	Hose	
711	2754583	1	Hose	
712	2754585	1	Hose	
713	2754585	1	Hose	
714	2754584	1	Hose	
715	2754584	1	Hose	
716	2754586	1	Hose	
717	2754586	1	Hose	
749	2754597	1	Hose	
750	2754593	1	Hose	
760	2754592	1	Hose	
761	2754594	1	Hose	
762	2754595	1	Hose	
763	2754596	1	Hose	
779	2754598	1	Hose	
820	2754600	1	Hose	
848	2754601	1	Hose	
849	2754599	1	Hose	
850	2754602	1	Hose	
851	2754475	1	Hose	

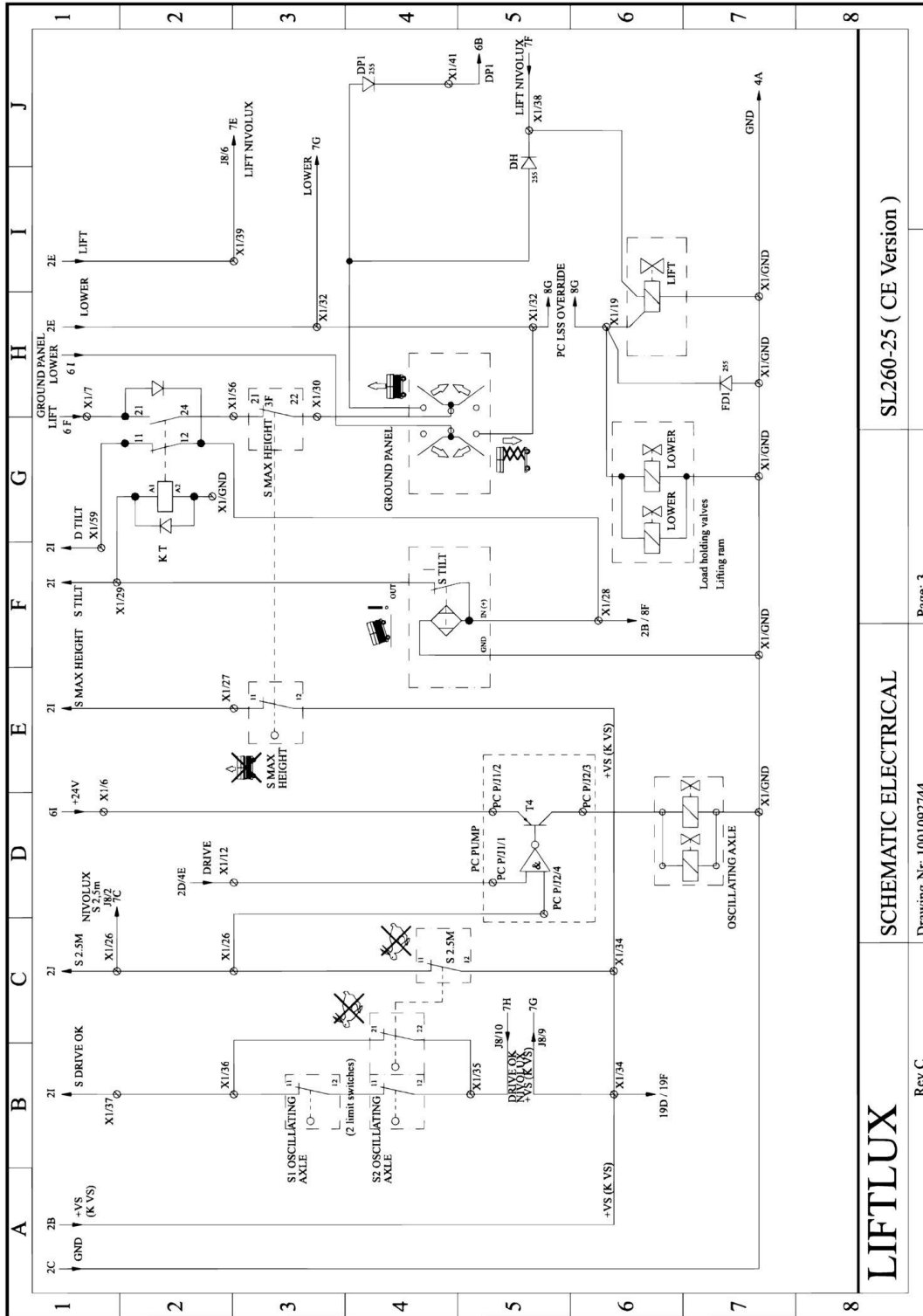
SECTION 6 - HYDRAULIC

ITEM	PART NUMBER	QTY	DESCRIPTION	REV
	1001092809	Ref	PLATFORM HYDRAULIC COMPONENTS	D
908	2141908	1	Fitting, Tee	
909	2142709	4	Fitting, Straight	
910	2143403	3	Fitting, 90	
912	2754567	1	Hose	
913	2754569	1	Hose	
914	2754570	1	Hose	
915	2754571	1	Hose	
	1001091868	Ref	ARMS HYDRAULIC COMPONENTS	E
1004	2754559	2	Hose	

SECTION 7 - ELECTRICAL



SECTION 7 - ELECTRICAL



LIFTLUX

SCHEMATIC ELECTRICAL

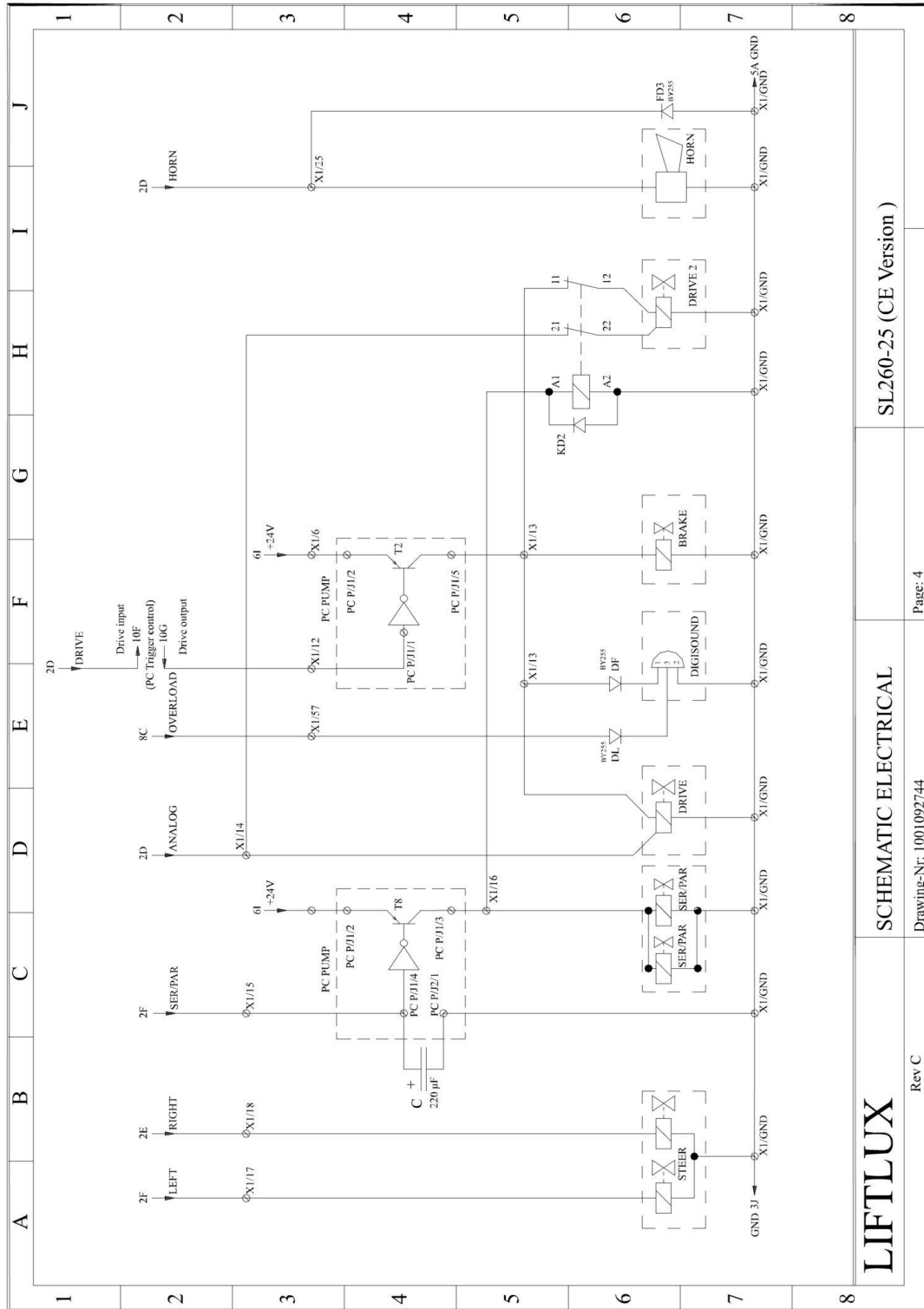
SL260-25 (CE Version)

Rev C

Drawing-Nr. 1001092744

Page: 3

SECTION 7 - ELECTRICAL



LIFTLUX

Rev C

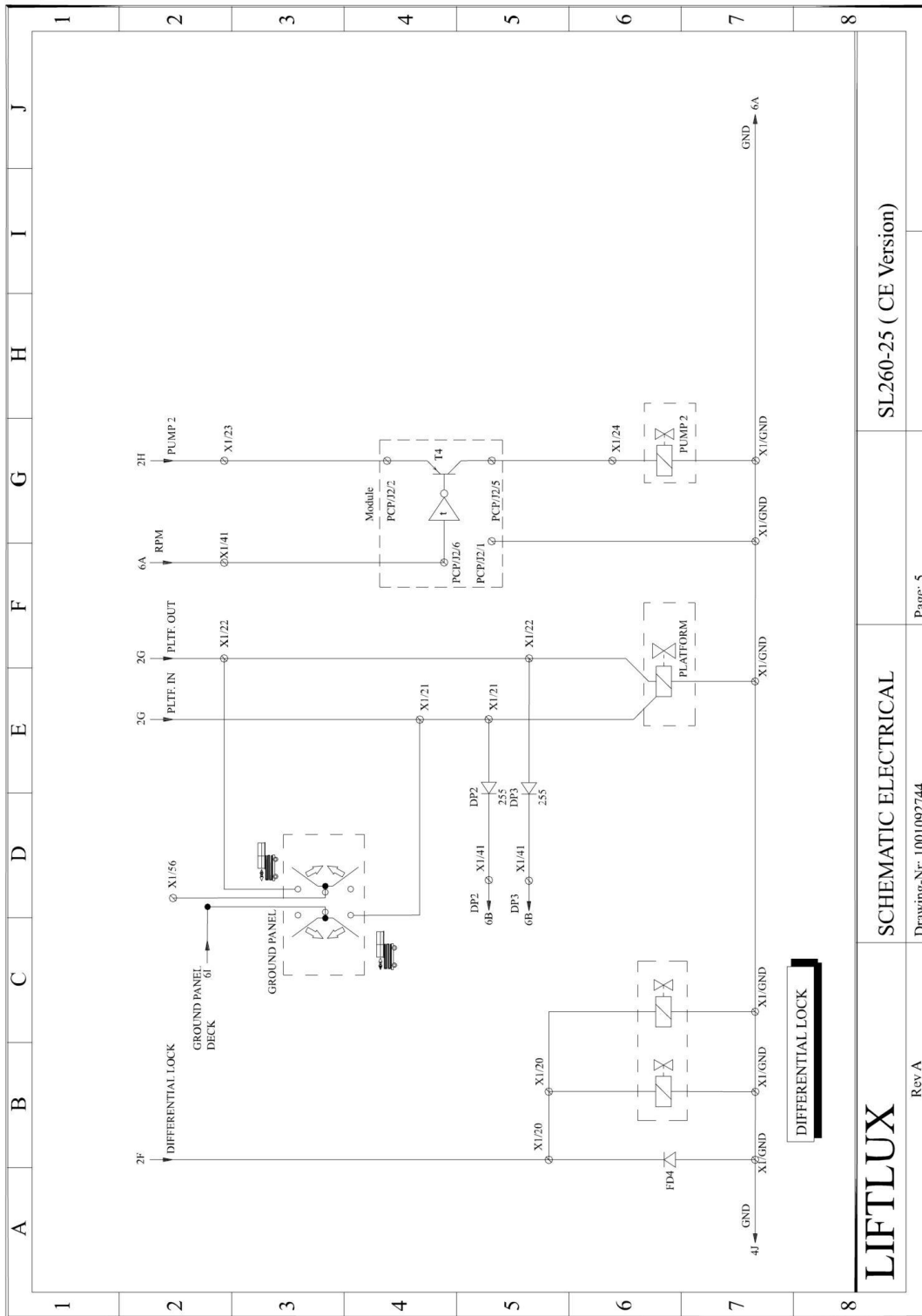
SCHEMATIC ELECTRICAL

Drawing-Nr: 1001092744

Page: 4

SL260-25 (CE Version)

SECTION 7 - ELECTRICAL



LIFTLUX

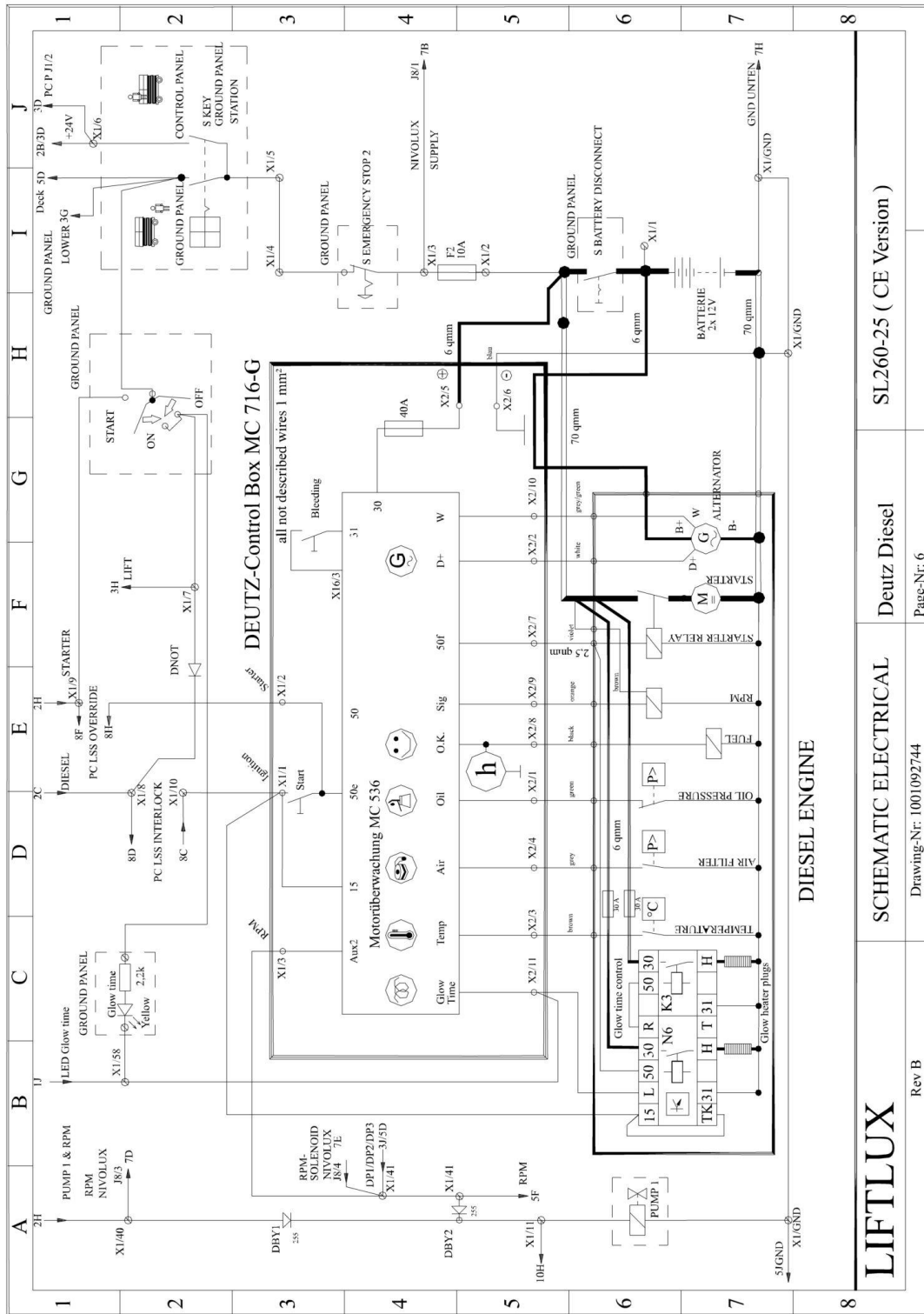
Rev A

SCHEMATIC ELECTRICAL

SL260-25 (CE Version)

Page: 5

Drawing-Nr: 1001092744



SL260-25 (CE Version)

Deutz Diesel

SCHEMATIC ELECTRICAL

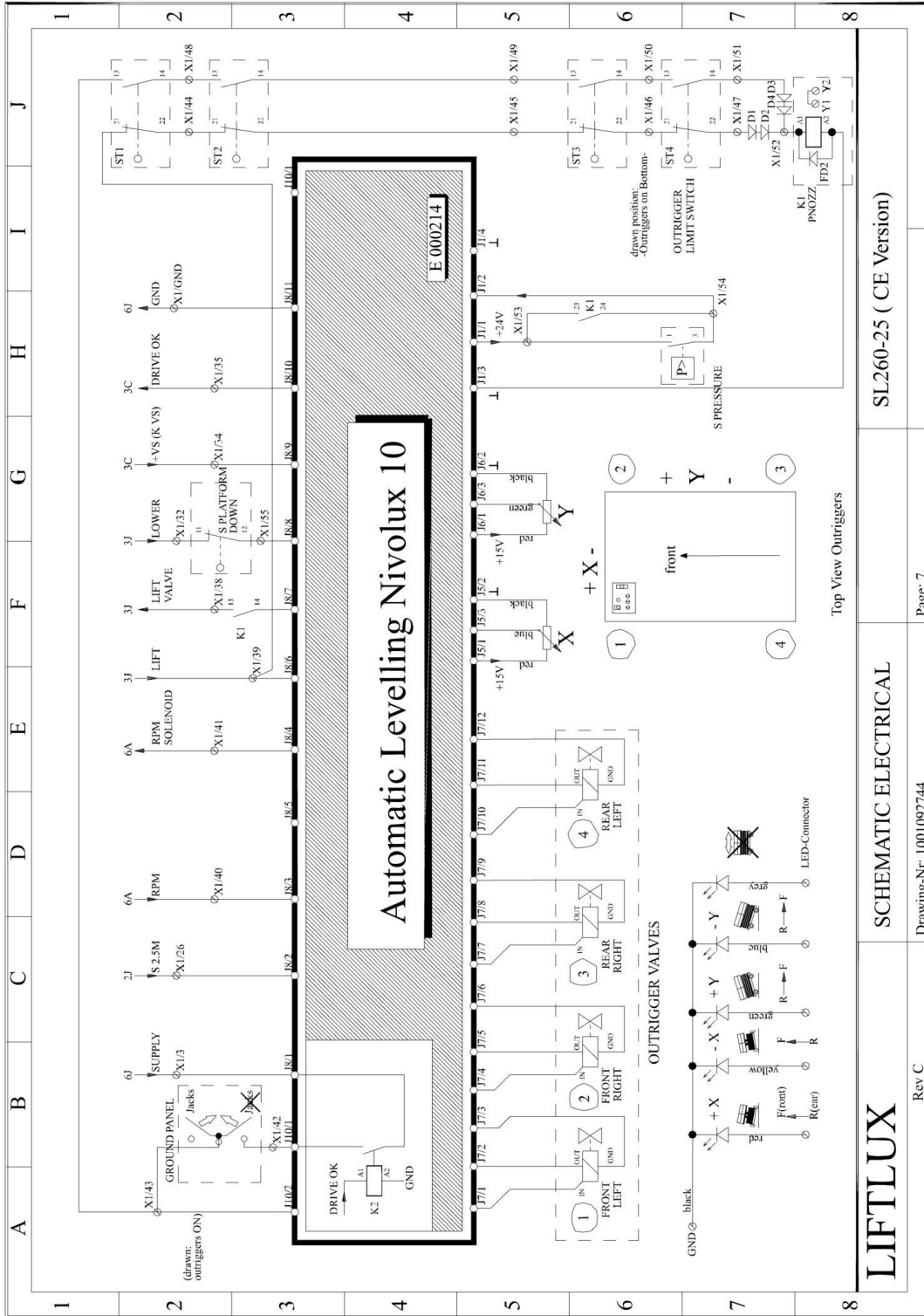
LIFTLUX

Page-Nr: 6

Drawing-Nr: 1001092744

Rev B

SECTION 7 - ELECTRICAL



SL260-25 (CE Version)

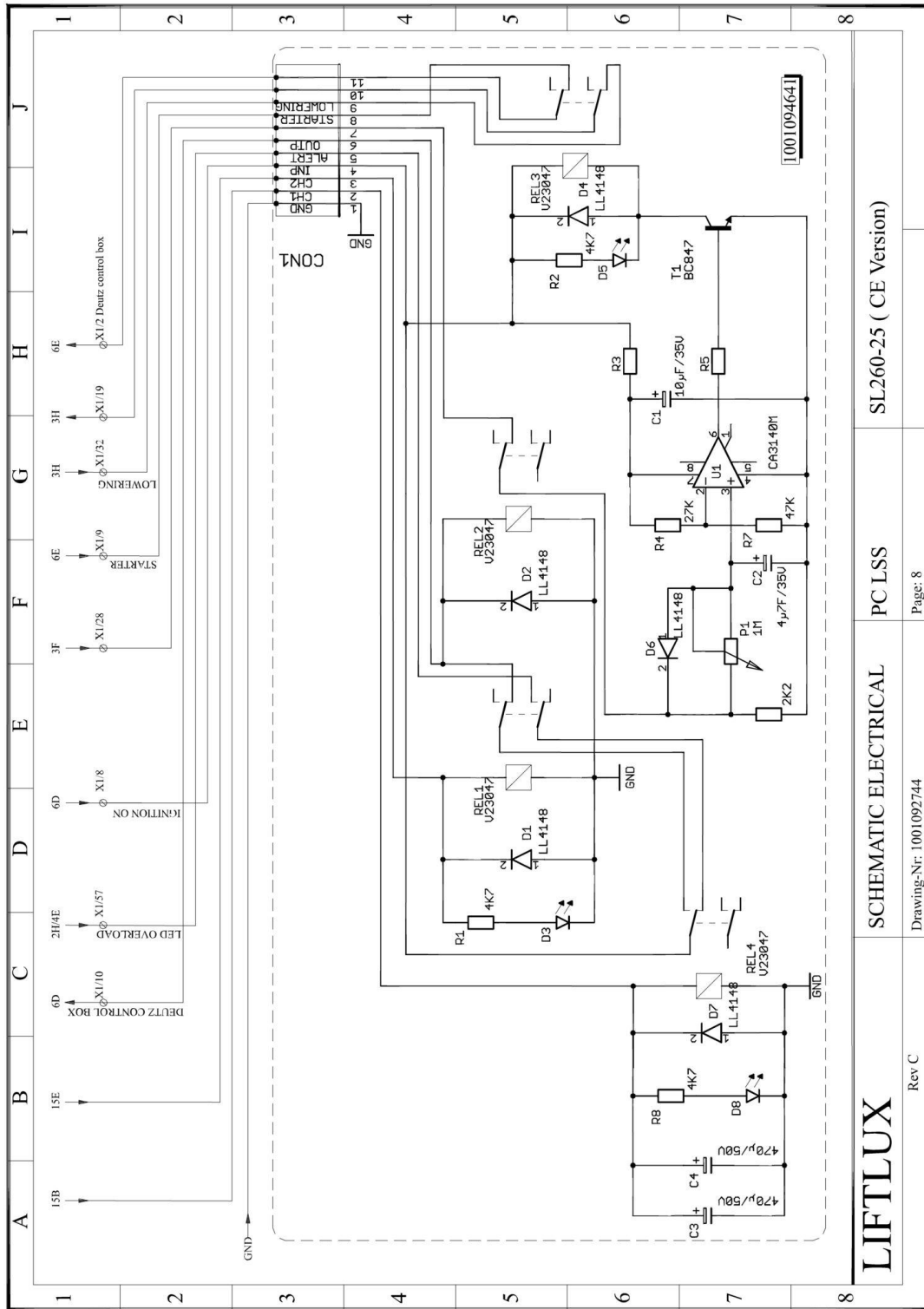
SCHEMATIC ELECTRICAL

LIFTLUX

Page: 7

Drawing-Nr: 1001092744

Rev C



LIFTLUX

SCHEMATIC ELECTRICAL

PC LSS

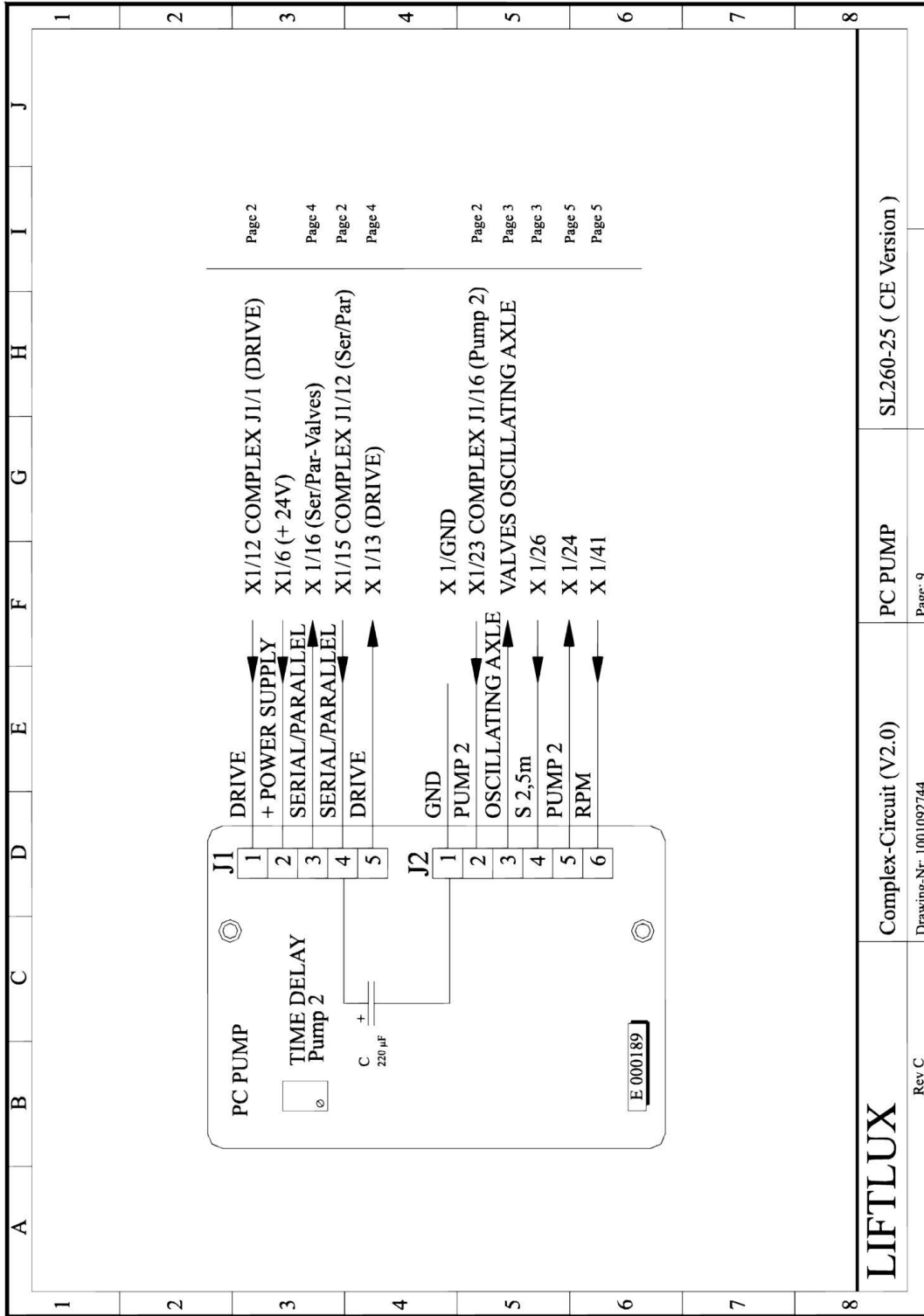
SL260-25 (CE Version)

Rev C

Drawing-Nr: 1001092744

Page: 8

SECTION 7 - ELECTRICAL



LIFTLUX

Complex-Circuit (V2.0)

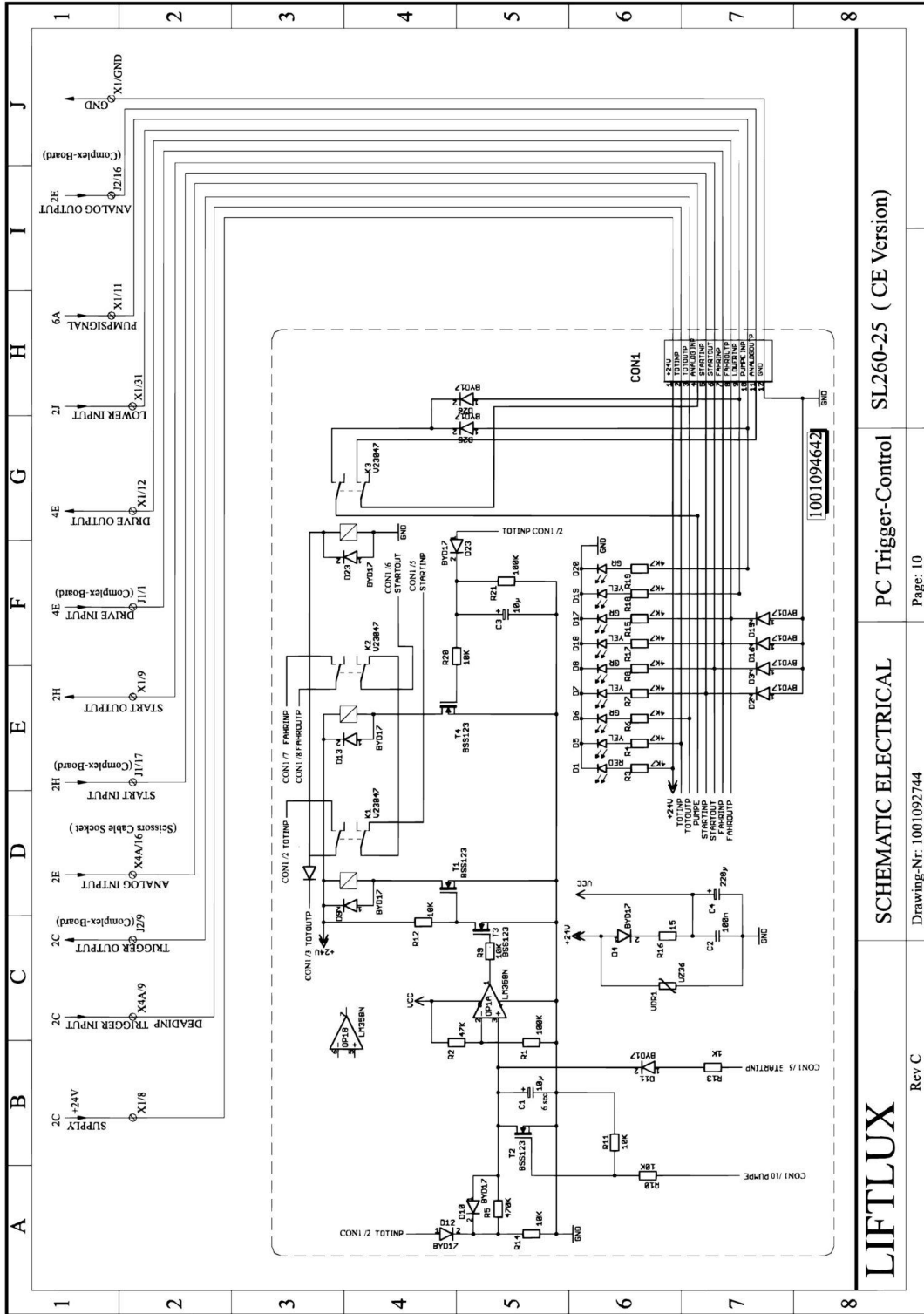
PC PUMP

SL260-25 (CE Version)

Rev C

Drawing-Nr: 1001092744

Page: 9



LIFTLUX

SL260-25 (CE Version)

PC Trigger-Control

SCHEMATIC ELECTRICAL

Rev C

Page: 10

Drawing-Nr: 1001092744

A	B	C	D	E	F	G	H	I	J
1	55	S Oscillating Axle /12	3B	S 2.5m /22	3C	S 2.5m /21	3B	Nivolux J8/10	7H
2	36							Complex J1/2 S DRIVE OK 2I	
3	37							Complex J1/2 S DRIVE OK 2I	
4	38	Lift Valve	3I			K1 /13 PNOZZ	7F	DH (Cathode)	3I
5	39	ST1 /21	7I			Nivolux J8/6	7E	D Lift (Cathode)	2E
6	40					DBY1	6A	Complex J1/7 P1&RPM	2G
7	41	Motor Control Box RPM	6D	Nivolux J8/4	7E	DBY2	6A	DP1 (Cathode)	3I
8	42	Ground panelS Jacks	7B	DP3 (Cathode)	5D	PNP5 J2/6	5F	DP2 (Cathode)	5D
9	43	Ground panelS Jacks	7B	ST1 /13	7I			Nivolux J10/1	7B
10	44	ST2 /21	7I	ST1 /22	7I			Nivolux J10/2	7A
11	45	ST3 /21	7I	ST2 /22	7I				
12	46	ST4 /21	7I	ST3 /22	7I				
13	47	ST4 /22	7I					D1	7I
14	48	ST2 /13	7I	ST1 /14	7I				
15	49	ST3 /13	7I	ST2 /14	7I				
16	50	ST4 /13	7I	ST3 /14	7I				
17	51	ST4 /14	7I					D3	7I
18	52			K1 /A1 PNOZZ	7I	D4 (Cathode)	7I	D2 (Cathode)	7I
19	53	Pressure /1 Nivolux	7H			K1 /23 PNOZZ	7H	Nivolux J1/1	7H
20	54	Pressure /2 Nivolux	7H			K1 /24 PNOZZ	7H	Nivolux J1/2	7H
21	55	Platform Down /12	7G					Nivolux J8/8	7G
22	56	KT /24	3G	S Max Height /21	3H	Ground Panel Deck out	5D		
23	57			PC LSS COM 5	8C	X4A/21 LED Overload	2H	DL (Anode)	4E
24	58	LED Glow time	2I	Ground panel LED Glow	6B	Motor Control Box X2/11	6C		
25	59	LED TILT	2I	KT /11	3F				
26	60	Battery	6I	Load Holding Valves	3G	KD2 /A2	4H	Complex	2C
27	61	Lift	3H	S Tilt	3F	FD3	4J	FD1	3H
28	62	Steer	4B	Diff/Lock Valve 1	5B	FD4	5A	PC P 12/1	5F
29	63	Drive	4E	Diff/Lock Valve 2	5C			Digisound	4E
30	64	Brake	4F	Oscillating Axle Valves	3D			Nivolux	7H
31	65	Serial/Parallel	4D	PC Trigger C COM1/2	1 J	Drive 2	4 H		
32	66	Pump 1	6A	Horn	4I			K V S PNOZZ	2A
33	67			Platform	5E	Pump 2	5G	KT /A2	3G
34	68	Motor Control Box	6H	PC LSS GND	8A	Option Beacon Front Side	19F	Option Beacon Rear Side	19D

LIFTLUX

Rev C

SCHEMATIC ELECTRICAL

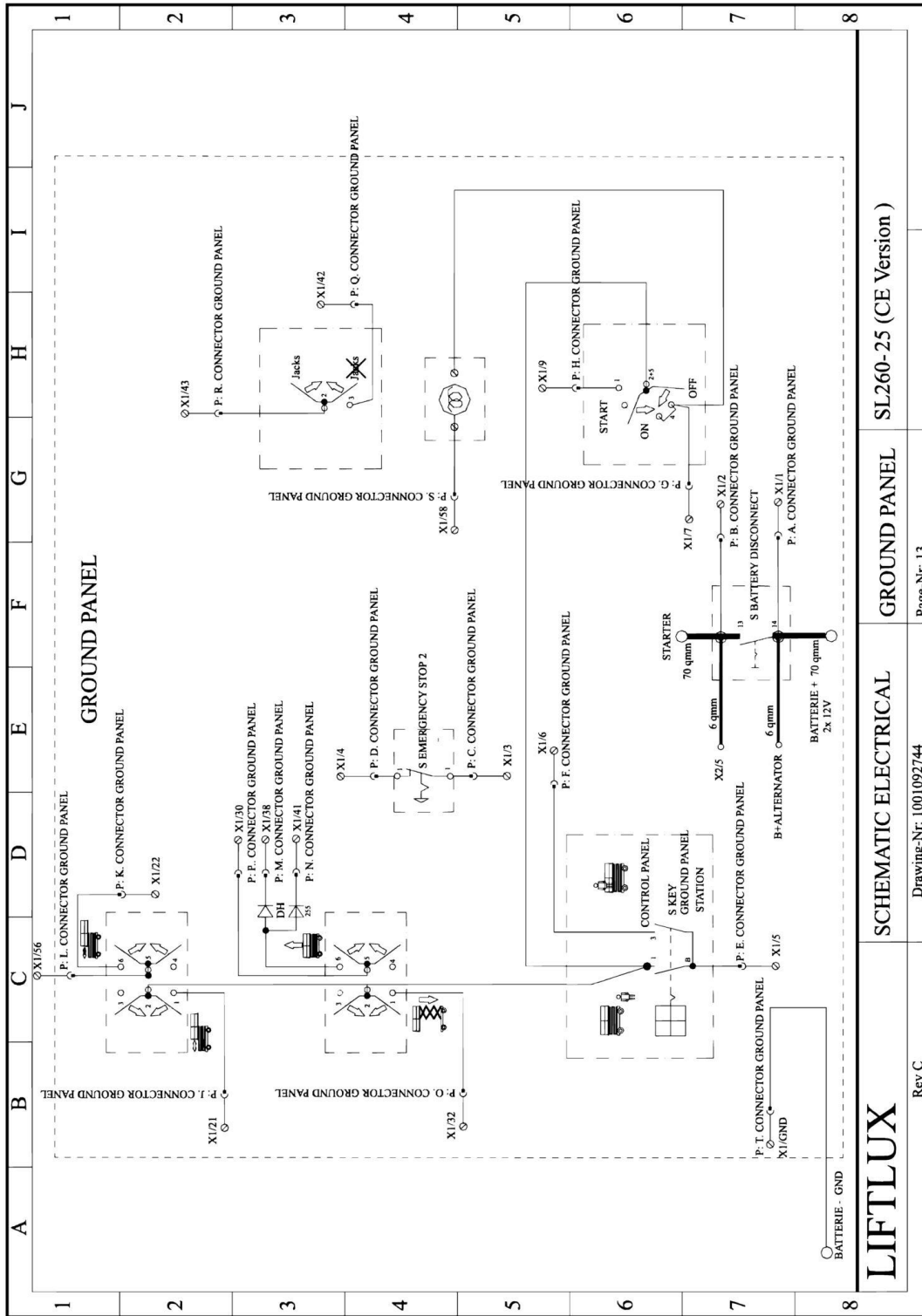
Terminals

SL260-25 (CE Version)

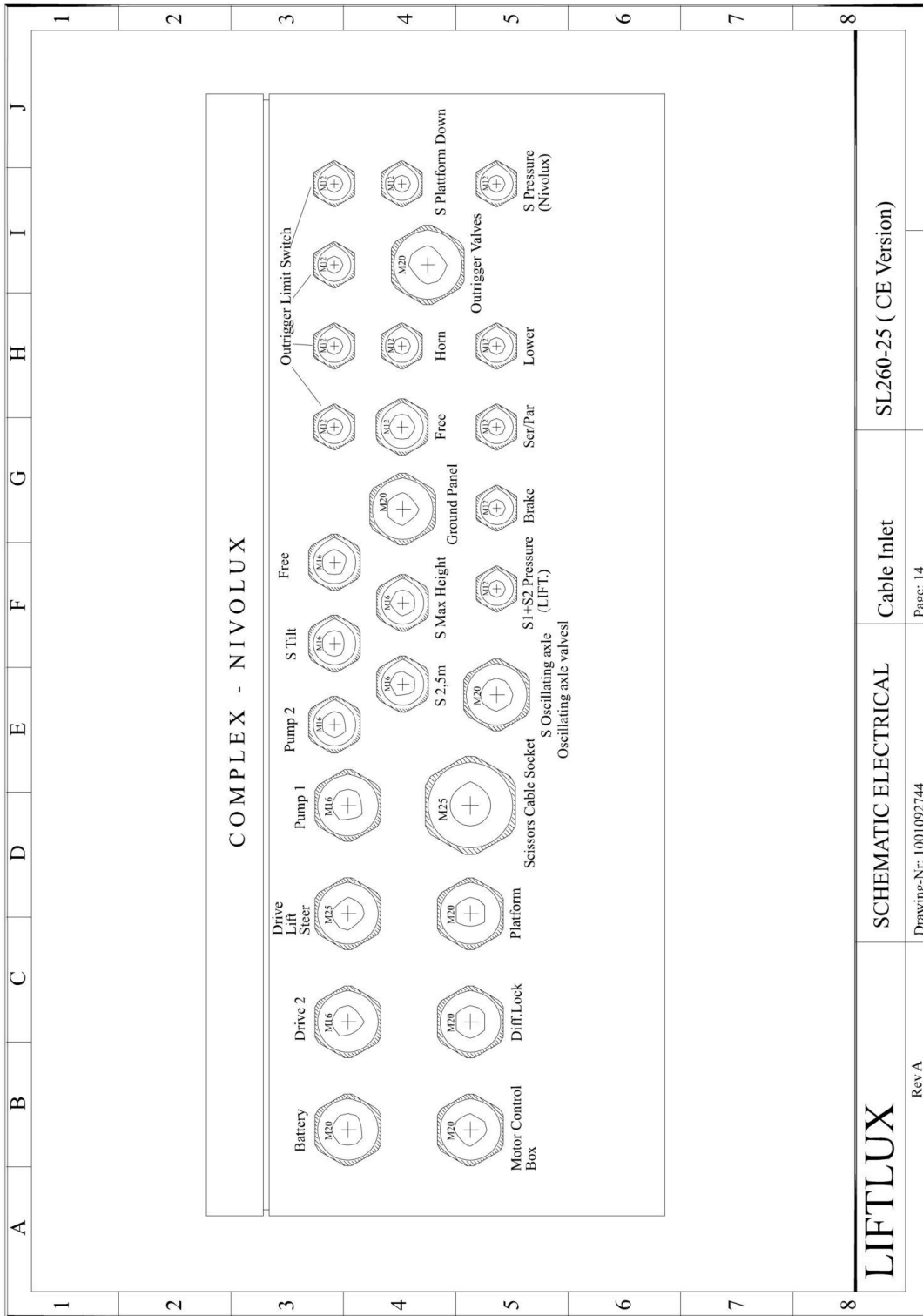
Page: 12

Drawing-Nr: 1001092744

SECTION 7 - ELECTRICAL



<p>LIFTLUX</p> <p>Rev C</p>	<p>SCHEMATIC ELECTRICAL</p> <p>Drawing-Nr: 1001092744</p>	<p>GROUND PANEL</p> <p>Page-Nr: 13</p>	<p>SL260-25 (CE Version)</p>
------------------------------------	--	---	-------------------------------------



LIFTLUX

SCHEMATIC ELECTRICAL

Cable Inlet

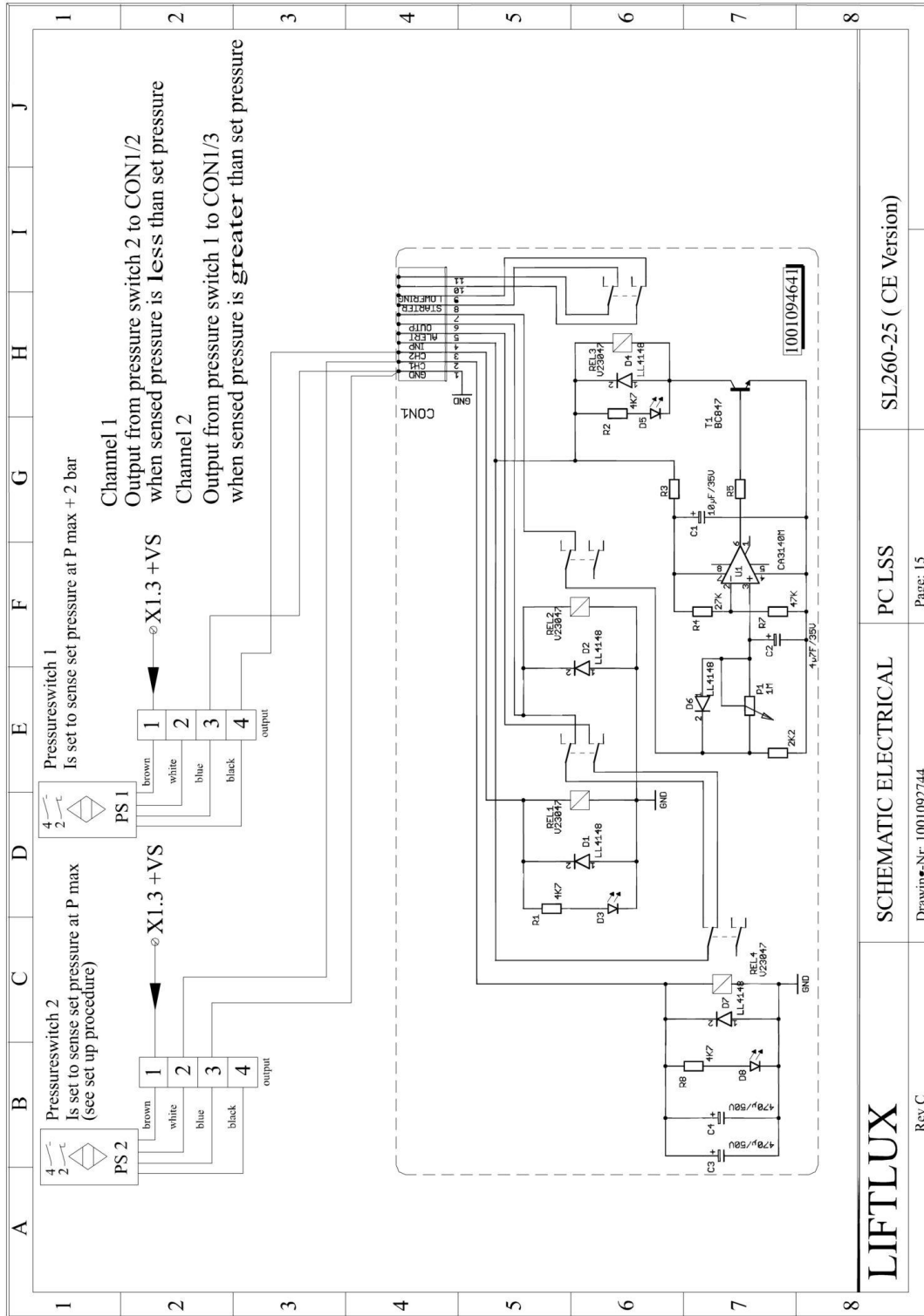
SL260-25 (CE Version)

Page: 14

Rev A

Drawing-Nr: 1001092744

SECTION 7 - ELECTRICAL



LIFTLUX

SCHEMATIC ELECTRICAL

PC LSS

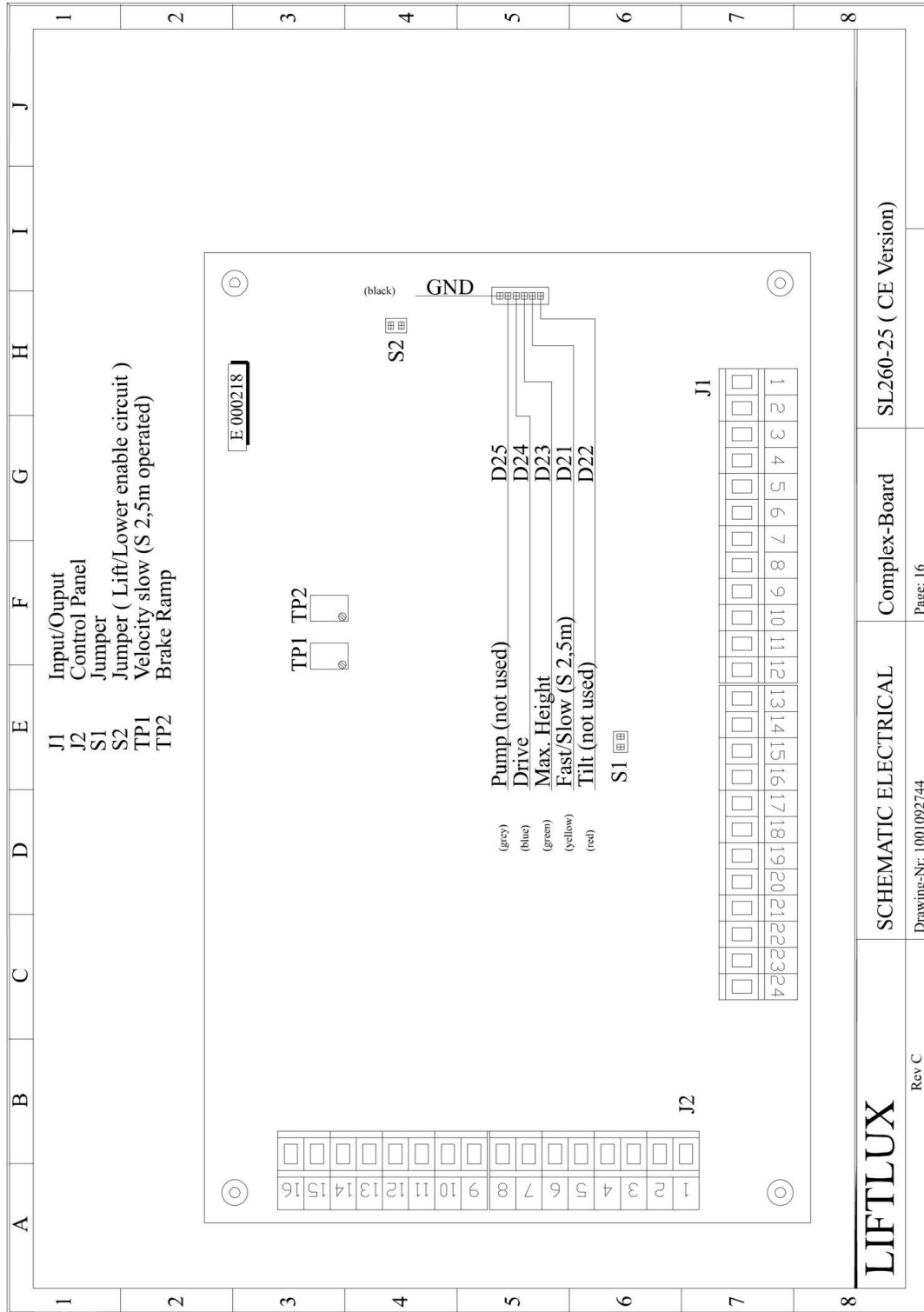
SL260-25 (CE Version)

Rev C

Drawing-Nr: 1001092744

Page: 15

SECTION 7 - ELECTRICAL



LIFTLUX

SL260-25 (CE Version)

Complex-Board

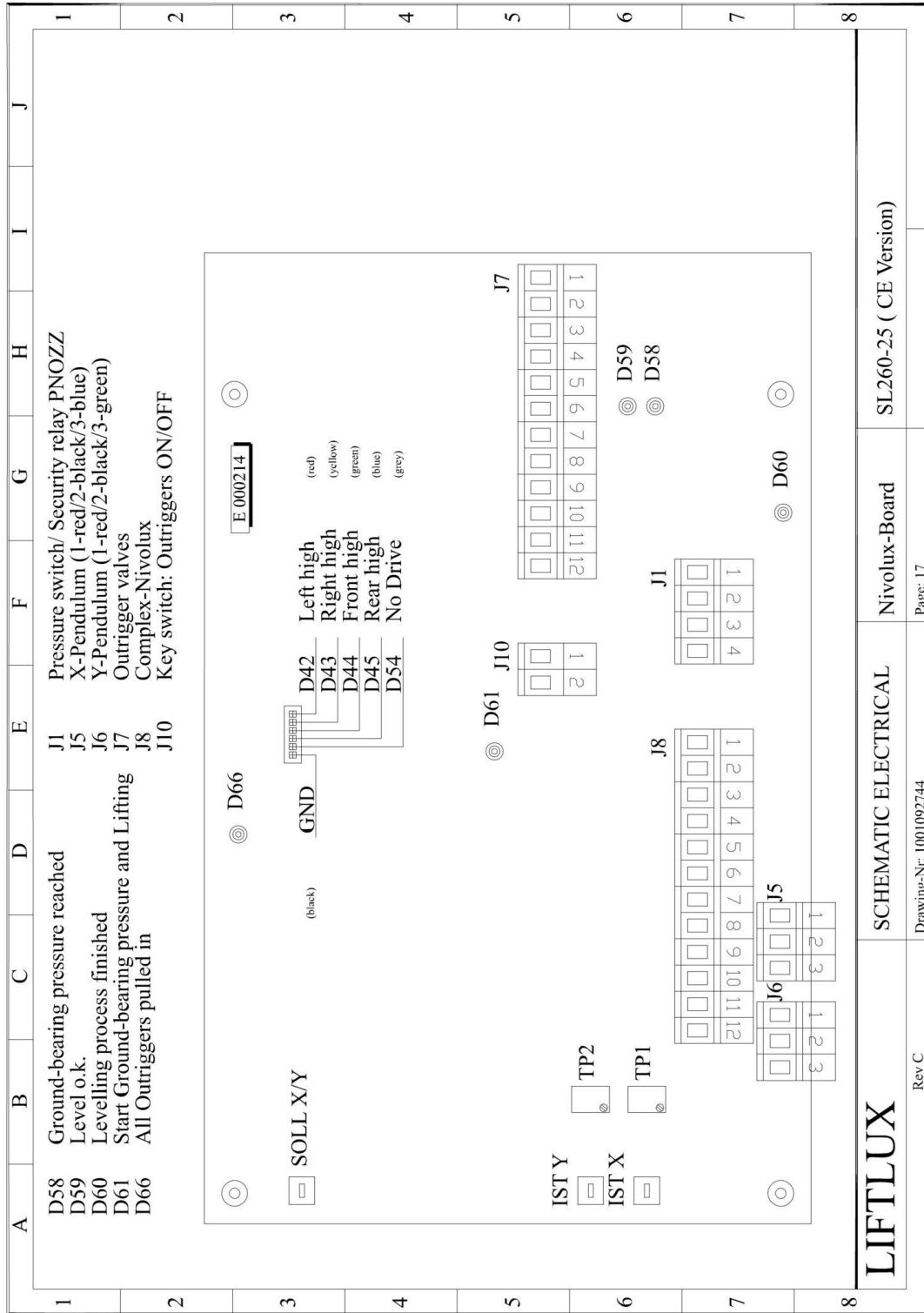
SCHEMATIC ELECTRICAL

Page: 16

Drawing-Nr: 1001092744

Rev C

SECTION 7 - ELECTRICAL



LIFTLUX

SCHEMATIC ELECTRICAL

Nivolux-Board

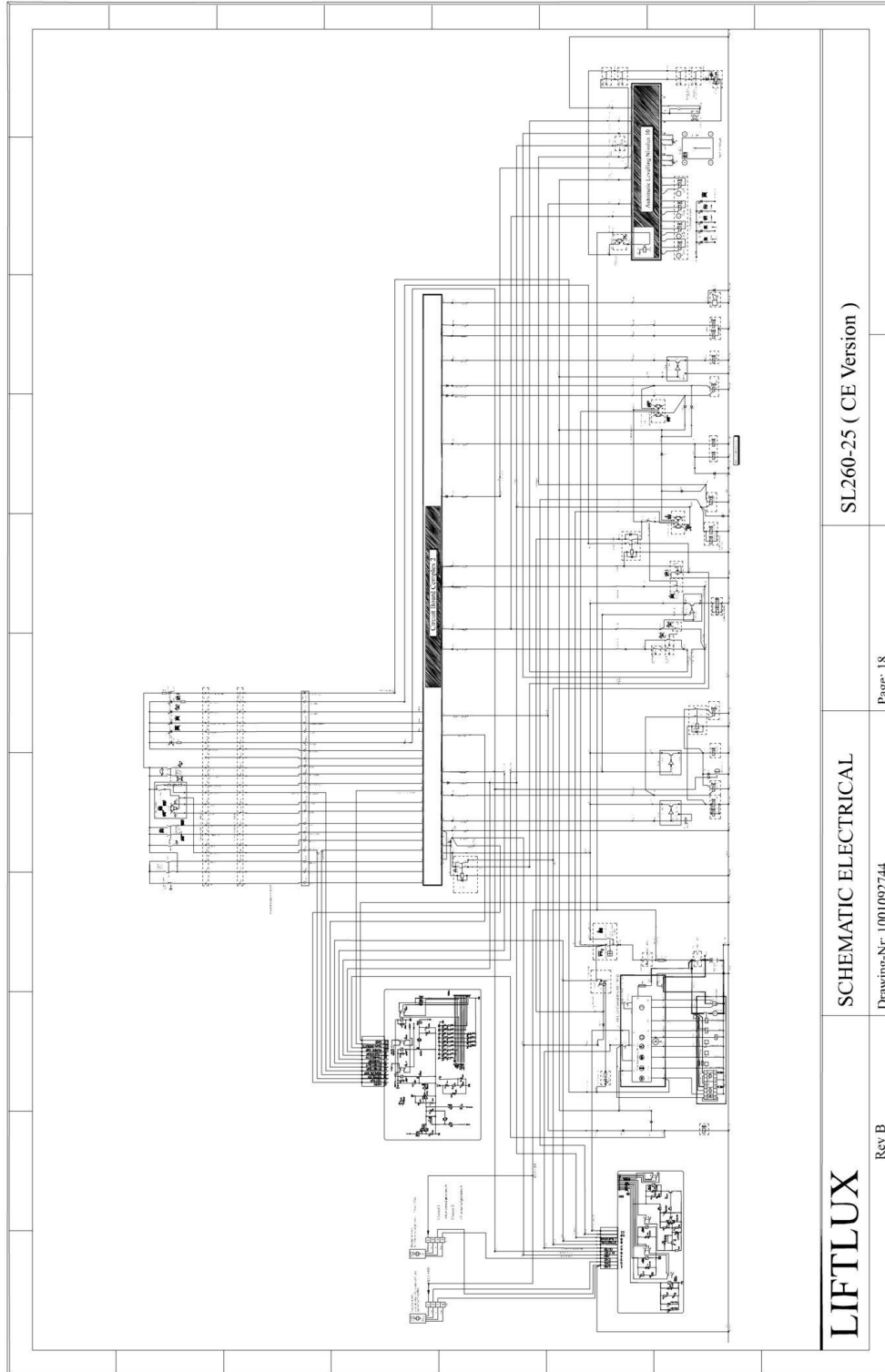
SL260-25 (CE Version)

Drawing-Nr: 1001092744

Page: 17

Rev C

SECTION 7 - ELECTRICAL



LIFTLUX

Rev B

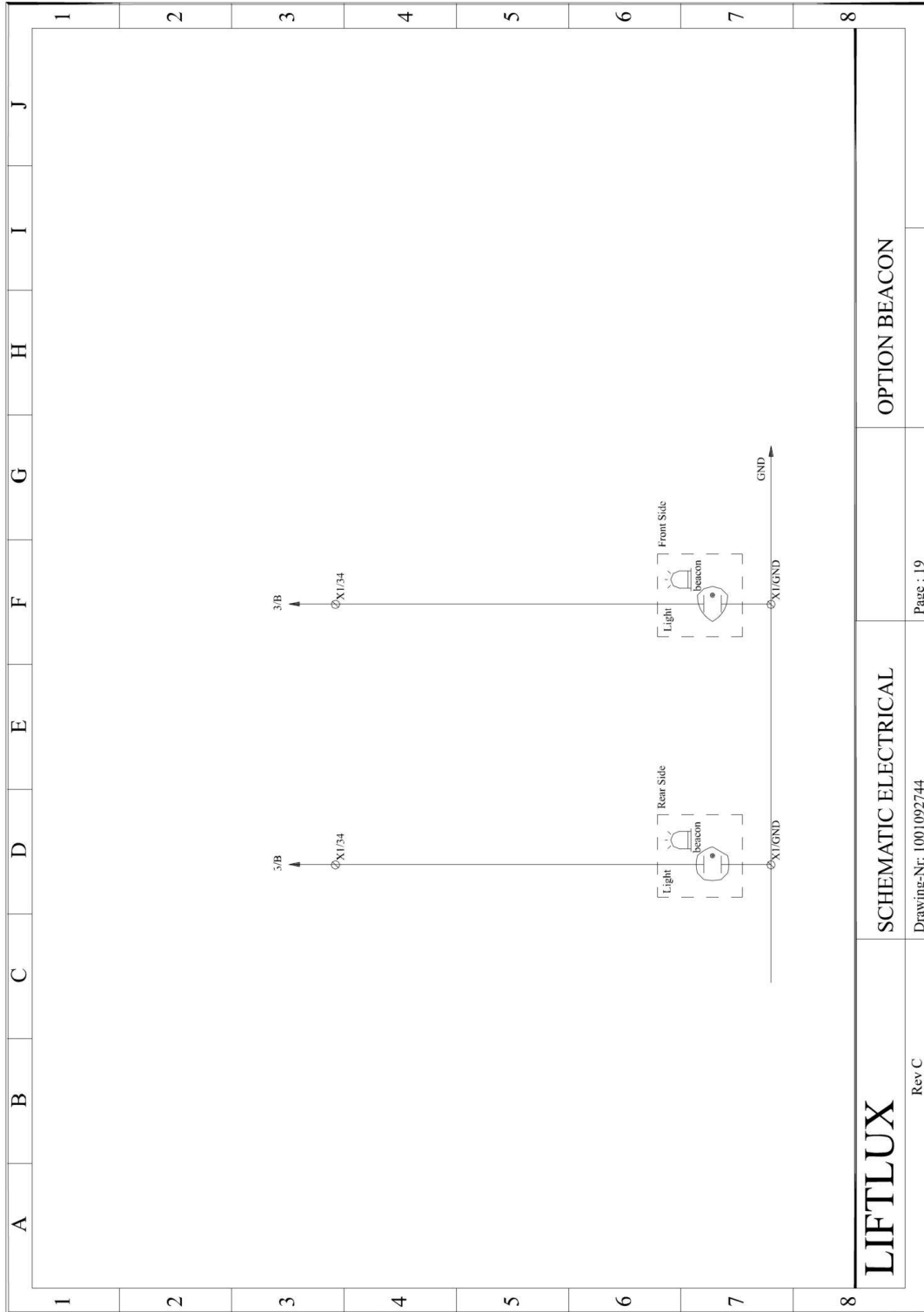
SCHEMATIC ELECTRICAL

Drawing-Nr. 1001092744

SL260-25 (CE Version)

Page: 18

SECTION 7 - ELECTRICAL



LIFTLUX

Rev C

SCHEMATIC ELECTRICAL

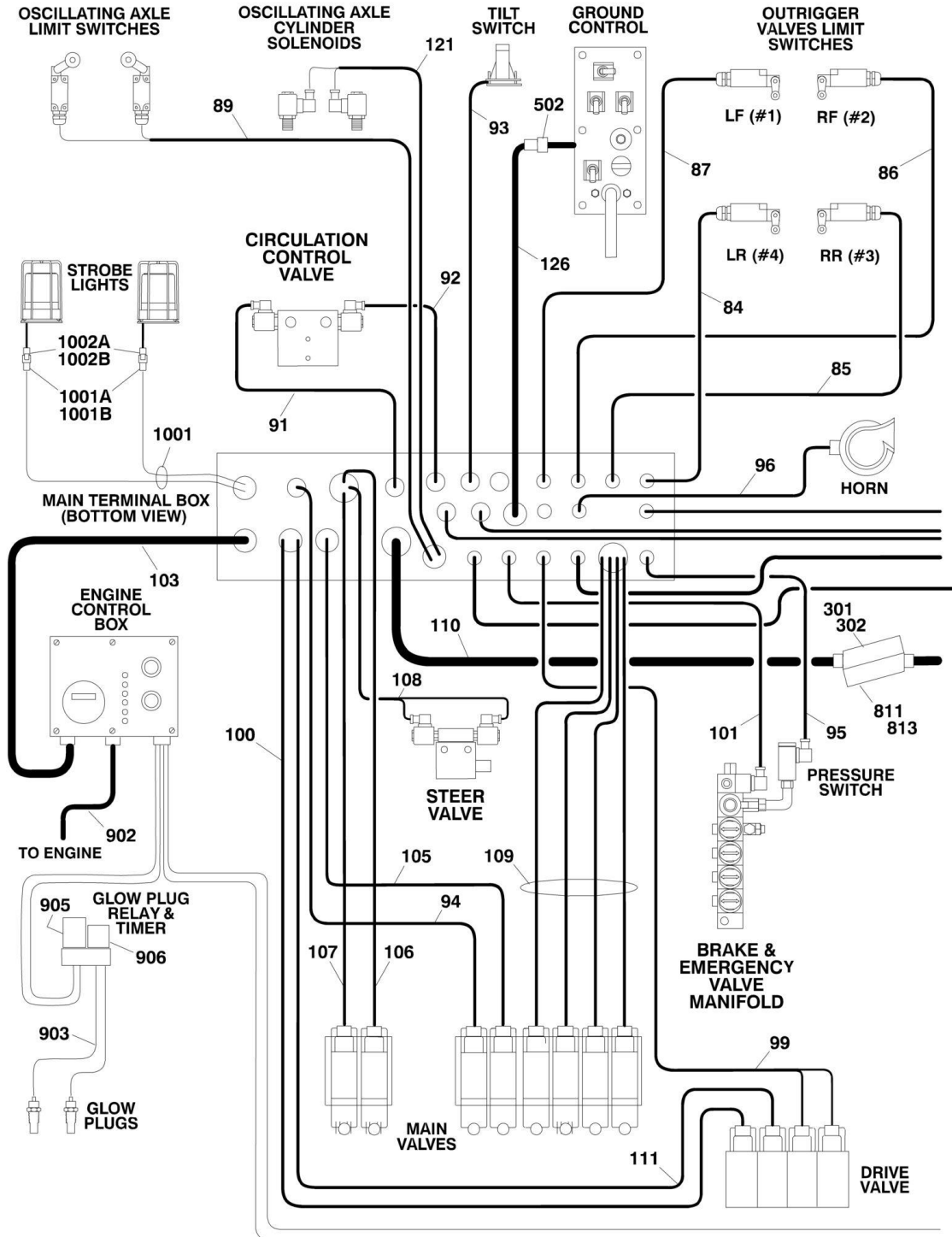
OPTION BEACON

Drawing-Nr: 1001092744

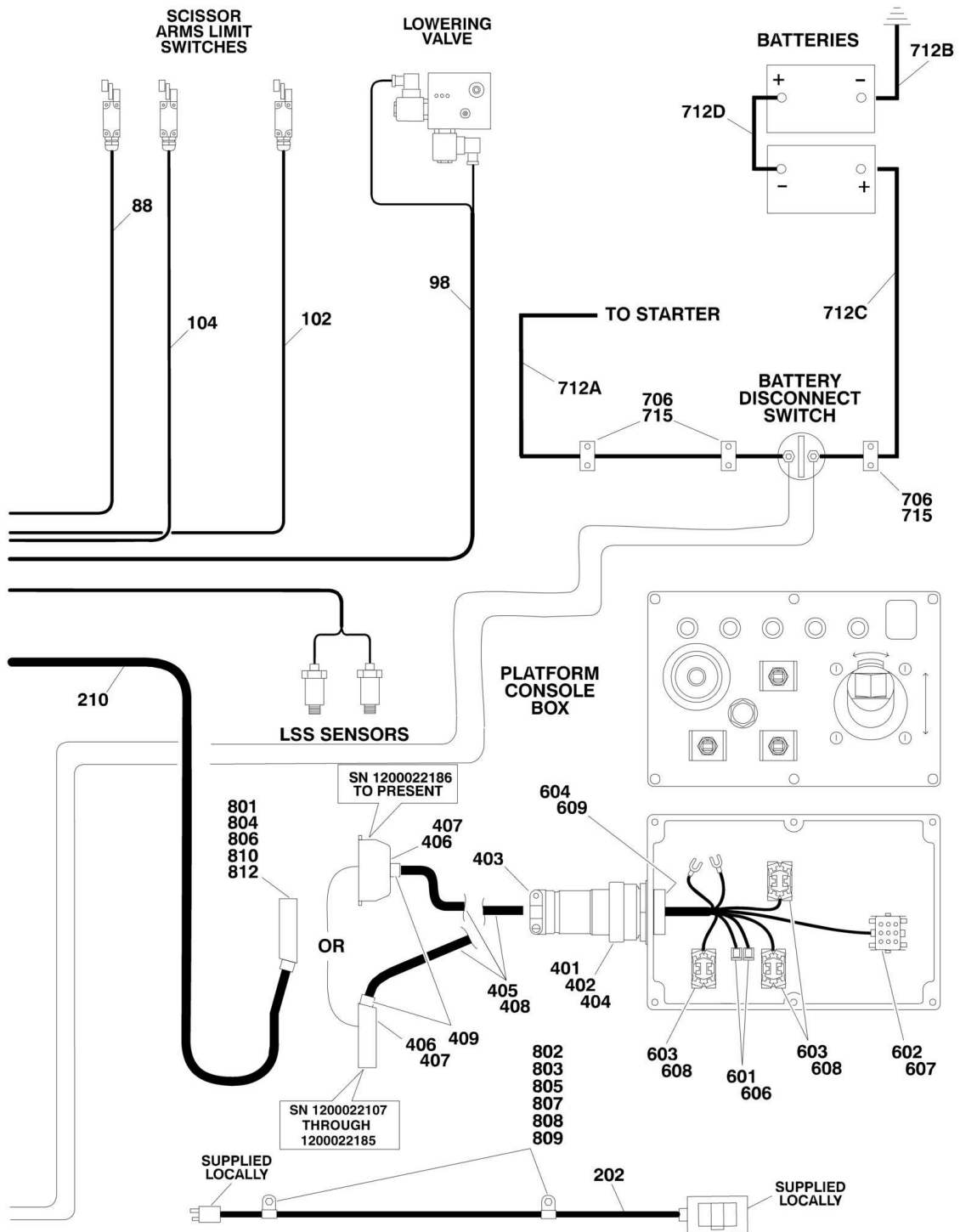
Page : 19

SECTION 7 - ELECTRICAL

FIGURE 7-2. HARNESS COMPONENTS INSTALLATION



SECTION 7 - ELECTRICAL



SECTION 7 - ELECTRICAL

FIGURE 7-2. HARNESS COMPONENTS INSTALLATION

ITEM	PART NUMBER	QTY	DESCRIPTION	REV
	1001092948	Ref	MAIN TERMINAL BOX HARNESS KIT INSTALLATION	D
84	70001805	1	Harness, #4 Outrigger Limit Switch	
85	70001806	1	Harness, #3 Outrigger Limit Switch	
86	70001807	1	Harness, #2 Outrigger Limit Switch	
87	70001808	1	Harness, #1 Outrigger Limit Switch	
88	70001809	1	Harness, Platform Down Limit Switch	
89	70001810	1	Harness, Oscillating Axle Limit Switch	
91	70001811	1	Harness, Pump Section #1 Solenoid	
92	70001812	1	Harness, Pump Section #2 Solenoid	
93	70001813	1	Harness, Tilt Switch	
94	70001814	1	Harness, Drive 2 Valve	
95	70001815	1	Harness, Pressure Switch	
96	70001816	1	Harness, Horn	
98	70001817	1	Harness, Lowering Valve	
99	70001818	1	Harness, Drive Speed Valve	
100	70001819	1	Harness, Differential Lock Valve #2	
101	70001820	1	Harness, Brake Valve	
102	70001821	1	Harness, Max Height Limit Switch	
103	70001822	1	Harness, Engine Control Box	
104	70001823	1	Harness, 2.5M Limit Switch	
105	70001824	1	Harness, Platform Extend Valve	
106	70001825	1	Harness, Lift Valve	
107	70001826	1	Harness, Drive Valve	
108	70001827	1	Harness, Steer Valve	
109	70001828	1	Harness Assembly, Outrigger Valves	
110	70001829	1	Harness, Remote Control Box Connector	
111	70001830	1	Harness, Differential Lock Valve #1	
121	70001831	1	Harness, Oscillating Axle Solenoid	
126	70001832	1	Harness, Ground Control Panel	
131	70000952	1	Connector (2 Pin for Nivolux Board - Not Shown)	
132	70000953	2	Connector (3 Pin for Nivolux Board - Not Shown)	
133	70000954	1	Connector (4 Pin for Nivolux Board - Not Shown)	
134	70000955	1	Connector (8 Pin for Complex Board - Not Shown)	
135	70000956	4	Connector (12 Pin for Nivolux and Complex Board - Not Shown)	
	1001091868	Ref	SCISSORS ARMS AND CABLES INSTALLATION	E
202	1060663	45 m/148ft	Cable, Electrical 12/3	
210	E000083	45 m/148ft	Cable, Electrical (25 Wire)	
	1001092947	Ref	MAIN TERMINAL BOX ASSEMBLY	B
301	E000102	1	Housing, Connector - Female 24 Pin	
302	E000481	1	Insert, Connector - Female 24 Pin	
	E900042	Ref	PLATFORM CONSOLE JUMPER HARNESS	E
401	4460465	24	Socket, Female	
402	4460468	1	Cap, Dust	
403	4460492	1	Clamp, Cable	
404	4460502	1	Receptacle, Female - 31 Position	
405	E000083	6 m/20ft	Cable, Electrical (25 Wire)	
406		Ref	Housing, Connector - Male 24 Pin Options:	

SECTION 7 - ELECTRICAL

ITEM	PART NUMBER	QTY	DESCRIPTION	REV
406	E000103	1	Housing, Connector - Male 24 Pin (SN 1200022107 through 1200022185)	
406	E000108	1	Housing, Connector - Male 24 Pin (SN 1200022186 to Present)	
407	E000482	1	Insert, Connector - Male 24 Pin	
408	E900043	6 m/20ft	Loom, Wire	
409	E900045	1	Relief, Strain	
	E900055	Ref	GROUND CONTROL PANEL HARNESS	E
501	4460418	4	Connector, Female - 6 Position (Attaches to Toggle Switch - Not Shown)	
501	4460419	AR	Terminal, Female	
502	4460462	1	Receptacle, Female - 23 Position	
502	4460465	AR	Terminal, Female	
503	E900056	2	Diode BY255 (Not Shown)	
	E900041	Ref	PLATFORM CONSOLE BOX HARNESS	D
601	4460260	2	Terminal, Locking Female	
602	4460266	1	Connector, female - 9 Position	
603	4460418	3	Connector - 6 Position	
604	4460503	1	Receptacle, Male - 31 Position	
606	4460259	AR	Connector, Female - 1 Position Locking	
607	4460267	6	Pin, Male	
608	4460419	15	Socket, Female	
609	4460464	20	Pin, Male	
	1001092496	Ref	BATTERY CABLES Installation	B
706	4031709	6	Bolt M6 x 25mm, Socket Head	
712	1001092531	1	Battery Cable Kit	
712A	70001802	1	Cable, Battery (A) (Starter to Battery Disconnect)	
712B	70001803	1	Cable, Battery (B) (Battery - to Engine)	
712C	70001804	1	Cable, Battery (C) (Battery + to Battery Disconnect)	
712D	70001765	1	Cable, Battery (D) (Battery - to Battery +)	
715	H000371	3	Clamp, Cable	
	0275784	Ref	RECEPTACLES INSTALLATION	C
801	0760508	4	Bolt M5 x 16mm	
802	0760610	2	Bolt M6 x 20mm	
803	1320224	2	Clamp	
804	3290505	4	Locknut M5	
805	3290605	2	Locknut M6	
806	4811600	8	Flatwasher M5	
807	4811700	2	Flatwasher M6	
808	4811702	2	Flatwasher M6 Large O.D.	
809	4831700	2	Lockwasher M6	
810	E000102	1	Housing, Connector - Female 24 Pin	
811	E000103	1	Housing, Male Connector	
812	E000481	1	Insert, Connector - Female 24 Pin	
813	E000482	1	Connector, 24 Pin Male	
	1001098995	Ref	ENGINE HARNESSES INSTALLATION	C
901		Ref	Harness, Air Cleaner Indicator Options (Not Shown):	
901	1001105080	1	Harness, Air Cleaner Indicator was p/n 70001859 (Prior to SN 1200021416)	
901	1001105682	1	Harness, Air Cleaner Indicator (SN 1200021416 to Present)	
902		Ref	Harness, Engine Options:	
902	1001105077	1	Harness, Engine was p/n 70001860 (Prior to SN 1200021416)	
902	1001105682	1	Harness, Engine (SN 1200021416 to Present)	

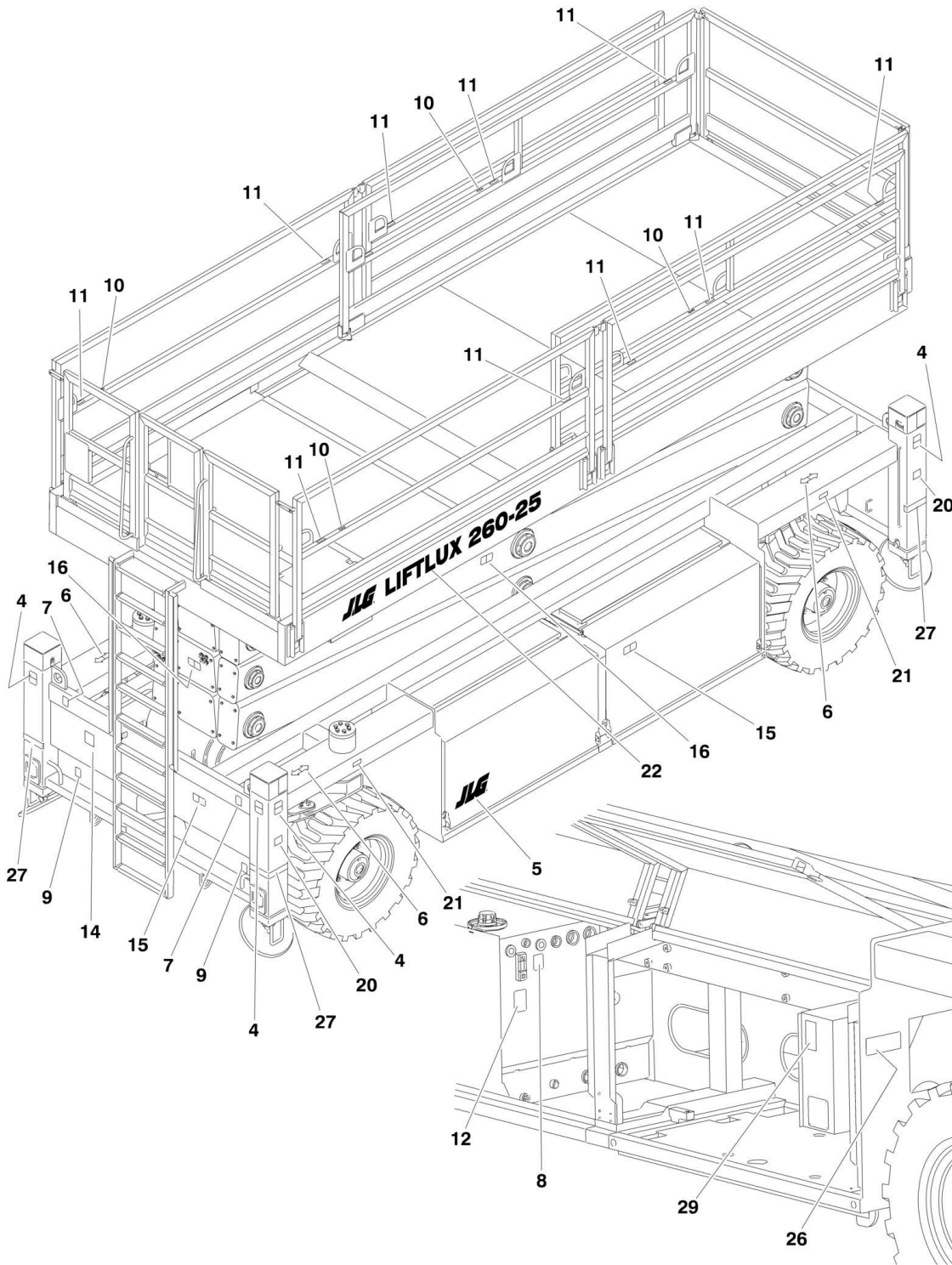
SECTION 7 - ELECTRICAL

ITEM	PART NUMBER	QTY	DESCRIPTION	REV
903		Ref	Harness, Glow Plug Options:	
903	1001105079	1	Harness, Glow Plug was p/n 70001861 (Prior to SN 1200021416)	
903	1001105682	1	Harness, Glow Plug (SN 1200021416 to Present)	
904	70001862	1	Harness, LDA (Not Shown)	
905	70000924	1	Relay, Glow Plug Timer	
906	70000925	1	Relay	
907	8229236	2	Fuse, 30A (Not Shown)	
		Ref	OPTIONAL HARNESS COMPONENTS	
1001	1001099285	1	Harness Assembly, Beacon	
1001A	4460897	2	Connector, Female - 2 Position	
1001B	4460464	4	Pin, Male	
1002		Ref	Lamp Components, Beacon	
1002A	4460891	2	Connector, Male - 2 Position (1 per Lamp)	
1002B	4460465	4	Socket, Female (2 per Lamp)	

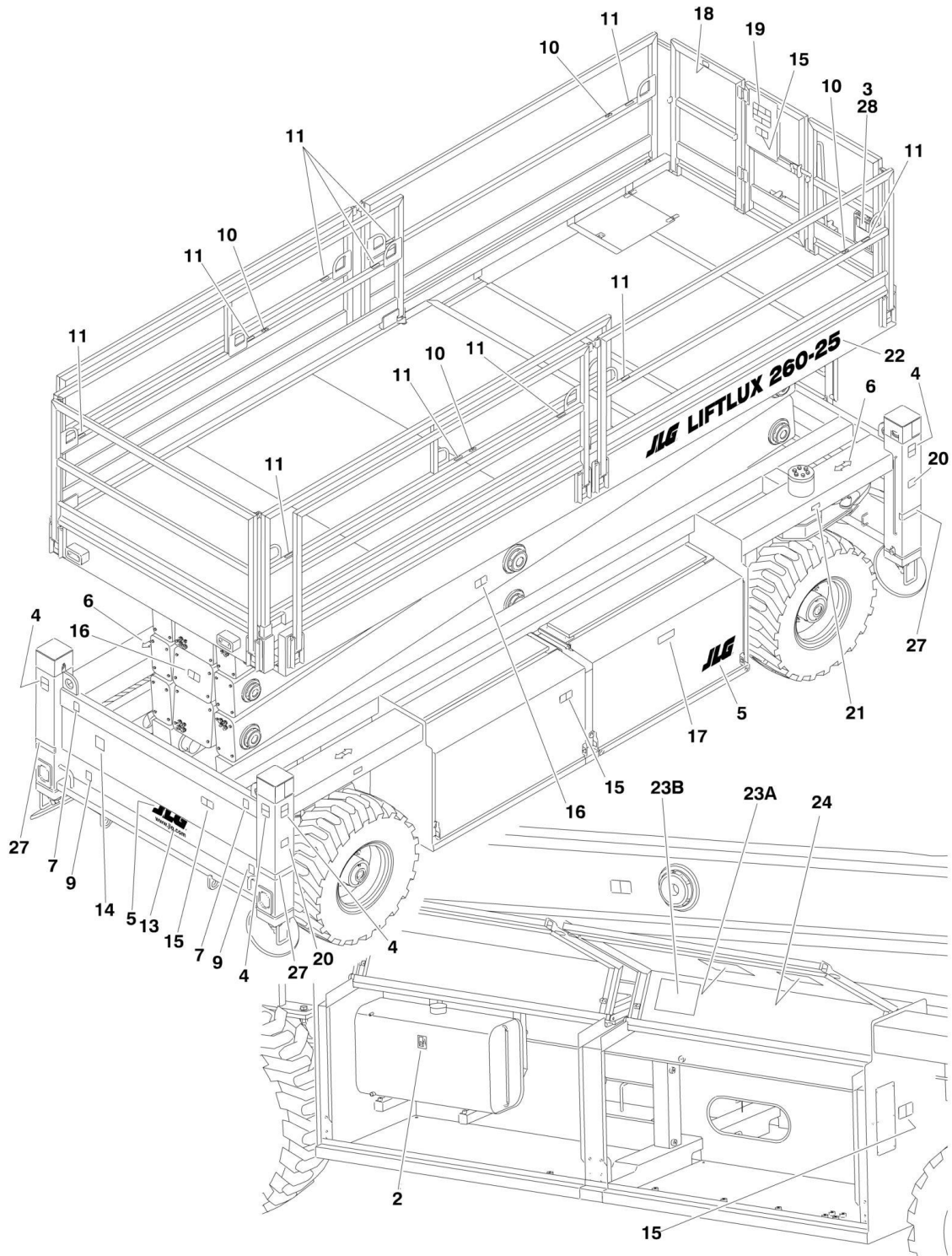
SECTION 8 - DECALS

SECTION 8 - DECALS

FIGURE 8-1. DECAL INSTALLATION



SECTION 8 - DECALS



SECTION 8 - DECALS

FIGURE 8-1. DECAL INSTALLATION

ITEM	PART NUMBER	QTY	DESCRIPTION	REV
	1001099363	Ref	DECAL INSTALLATION	D
1	1060279	1	Cable, Lanyard	
2	1701505	1	Decal, Diesel Fuel	
3	1701640	1	Decal, Manual	
4	1701785	8	Decal, Crushing	
5	1702773	3	Decal, JLG	
6	1703687	4	Decal, Direction Arrow	
7	1703811	4	Decal, Lifting Lug	
8	1703812	1	Decal, Hydraulic Oil	
9	1703814	4	Decal, Tie Down	
10	1703819	4	Decal, Direction Arrow	
11	1704277	AR	Decal, Lanyard Attach Options:	
11	1704277	10	Decal, Lanyard Attach (SN 1200022107 through 1200023452)	
11	1704277	12	Decal, Lanyard Attach (SN 1200023453 to Present)	
12	1704412	1	Decal, Hydraulic Oil	
13	1704885	1	Decal, Website	
14	1705515	1	Decal, Noise Level	
15	1705671	5	Decal, Electrocutation	
16	1705673	4	Decal, Crushing	
17	1706482	1	Decal, Manual Descent Inside	
18	1706485	1	Decal, Control Box Location	
19	1706575	1	Decal, Capacity	
20	1706576	4	Decal, Pad Load	
21	1706577	4	Decal, Wheel Load	
22	1706578	2	Decal, Liftlux 260-25	
23		Ref	Decal, Manual Descent Options:	
23A	1706674	1	Manual Descent Ext (SN 1200022107 through 1200023452)	
23B	1001115863	1	Manual Descent (SN 1200023453 to Present)	
24	1706680	1	Decal, Manual Descent (SN 1200022107 through 1200023452)	
25	2080040	4	Fastener, Huck	
26	Not Available	1	Nameplate - Serial Number	
27	4420051	2 m/7ft	Tape, Safety	
28	8990147	1	Box, Manual Storage	
28	70003486	2	Clip, Manual Holder	
29	1706098	1	Decal, Ether Warning	

SECTION 9 - RECOMMENDED SERVICE PARTS STOCK

SECTION 9 - RECOMMENDED SERVICE PARTS STOCK

SECTION 9 - RECOMMENDED SERVICE PARTS STOCK

FIGURE 9-1. MODEL 260-25 STANDARD PARTS

ITEM	PART NUMBER	QTY	DESCRIPTION	REV
	Note	Ref	Note: The following list will service one machine (built to current production per date on the front cover) with emergency repair parts which can be installed in the field. Parts from the list should be replaced when inventory is depleted to keep service parts stock supplied. For further information, contact your JLG dealer or the JLG Industries Parts Department.	
		Ref	STANDARD PARTS	
	4360314	1	Switch, Toggle	
	4360671	1	Switch, Toggle	
	4360698	1	Switch, Toggle	
	4360469	1	Switch, Key	
	2860030	1	Key, Replacement	
	4360475	1	Switch, Emergency Stop	
	E000059	1	Battery Disconnect Switch	
	E000044	1	Switch, Tilt	
	70000635	1	Switch, Push Button	
	70000385	1	Coil	
	E000457	1	Relay	
	E001375	1	Relay	
	70001791	4	Element, Hydraulic Filter	
	H000241	12	Hydraulic Breather Filter	
	H005232	12	Element, Air Cleaner Outer	
	70000054	12	Element, Air Cleaner Inner	
	7016331	12	Filter, Oil (Deutz Engine)	
	7020023	12	Filter, Fuel	
	S200238	1	Latch, Gate	
	4360387	1	Switch, Push Button	
	4360525	1	Switch, Toggle	
	4360693	1	Switch, Toggle	
	E900025	1	Control, Joystick	
	7012986	1	Coil	
	7017444	1	Coil	
	70000020	4	Element, Mini High Pressure	
	70000924	1	Relay, Glow Plug Timer	
	70000925	1	Relay	
	E900056	2	Diode	

SECTION 9 - RECOMMENDED SERVICE PARTS STOCK

FIGURE 9-2. MODEL 260-25 VARIABLE PARTS

ITEM	PART NUMBER	QTY	DESCRIPTION	REV
	Note	Ref	Note: The following list will service one machine (built to current production per date on the front cover) with emergency repair parts which can be installed in the field. Parts from the list should be replaced when inventory is depleted to keep service parts stock supplied. For further information, contact your JLG dealer or the JLG Industries Parts Department.	
		Ref	VARIABLE PARTS	
	E000376	1	Limit Switch	
	E000359	1	Limit Switch	
	70001352	1	PC Board (Engine Control)	
	E000189	1	PC Board (Pump)	
	E000214	1	PC Board (Nivolux)	
	1001094642	1	Card, Trigger Control	
	1001094641	1	Card, LSS and Time Override	

SECTION 10 - SPECIAL OPTIONS

SECTION 10 - SPECIAL OPTIONS

FIGURE 10-1. SPECIAL OPTIONS

ITEM	PART NUMBER	QTY	DESCRIPTION	REV
	Note	Ref	Note: This list is to accomodate machines ordered with special equipment. Options may not be applicable to all models. For more specific parts information contact JLG Parts Department.	
		Ref	MISCELLANEOUS SPECIAL OPTIONS	
	0256789	Ref	Camera Mount Assembly	3
	1001099284	Ref	Beacon Lamp Installation	
	2920161	2	Lamp, Beacon	
	4060865	2	Guard, Stone	
	1001099040	2	Bracket, Beacon Lamp	
		Ref	Tools For Service:	
	7002828	1	Wire Stripper	
	7002821	1	Wire Crimper (To Install Wire Ends to Wires)	
	7002823	1	Pin/Socket Extractor - Universal (To Remove Pins/Sockets from Connectors)	
	4460467	1	Extractor - 16-18 Gauge (For Removal of Pins/Sockets for Deutsch Connectors)	
	4460510	1	Extractor - 12-14 Gauge (For Removal of Pins/Sockets for Deutsch Connectors)	
	7002822	1	Screwdriver, Potentiometer (To Adjust Drive Controller)	
	7016654	1	Screwdriver, Magnetic	
	7004275	1	Seal Installation Tool - 1in	
	7004276	1	Seal Installation Tool - 1 1/2in	
	7002826	1	Seal Installation Tool - 2in	
		Ref	Fluids	
	3020016	AR	Mobil DTE 10 Excel 32	
	3020008	AR	Oil, Transmission ATF 184	
	2300014	AR	Oil, MobilFluid 424	
	2300029	AR	Oil, Mobil Eal EnviroSyn H 46	

PART NUMBER INDEX

SECTION 10 - SPECIAL OPTIONS

0140011.....43	1001091514..... 47	1001096366 69	2142209..... 89, 95
0181847.....69	1001091868 ... 56, 91, 97, 122	1001096367 69	2142708..... 88, 94
0256789.....134	1001091888 9	1001097368 57	2142709..... 88, 91, 94, 97
0275611.....69	1001091899 56	1001097369 57, 65	2142710..... 88, 94
0275784..... 65, 123	1001091953 56	1001097370 57, 65	2142711..... 88, 94
0307544.....33, 37	1001091982 11	1001097372 57	2142712..... 88, 94
0318854.....33	1001092011 11	1001098994 45, 47	2142714..... 88, 94
0630576.....64	1001092063 13	1001098995 .. 47, 48, 123	2142715..... 88, 94
0700606.....51	1001092077 13	1001099040 134	2142716..... 88, 94
0700617.....29	1001092078 13	1001099284 134	2142717..... 88, 94
0700621.....51	1001092112 13	1001099285 124	2142718..... 88, 94
0700812.....56	1001092135 25, 29	1001099363 128	2142719..... 88, 94
0700815..... 25, 29, 51	1001092153 25	1001099794 51	2142720..... 88, 94
0700817.....29	1001092215 25, 29	1001101157 79	2142721..... 88, 94
0700818.....21	1001092279 51	1001101884 65	2142741..... 88, 94
0700820.....29	1001092321 45	1001101885 65	2142742..... 88, 94
0700833.....21	1001092322 ... 26, 30, 45	1001101886 65	2142744..... 88, 94
0701014.....51	1001092323 ... 75, 88, 94	1001103161 65	2142748..... 88, 94
0701016.....56	1001092324 88, 94	1001105077 123	2142751..... 88, 94
0701018.....56	1001092325 89, 95	1001105079 124	2142757..... 88, 94
0701020..... 21, 64	1001092326 88, 94	1001105080 123	2142804..... 94
0701022..... 25, 29	1001092331 51	1001105682 47, 123, 124	2143403..... 88, 91, 97
0701029.....65	1001092332 51	1001107461 29	2143404..... 88
0701217..... 56, 65	1001092376 21	1001112938 43	2143406..... 88, 94
0701218.....65	1001092405 43	1001113080 94	2143407..... 88, 94
0701223..... 11	1001092406 43	1001115607 95	2143408..... 88, 94
0701226..... 11	1001092413 47	1001115863 128	2143409..... 88, 94
0701227.....47	1001092414 47	1003107 33, 37	2143510..... 89, 95
0701228.....45	1001092416 21	1060279 128	2143511..... 89, 95
0701627.....21	1001092462 45, 47	1060663 122	2143514..... 89, 95
0701630.....58	1001092496 .. 25, 29, 123	1062255 47, 56	2143516..... 89, 95
0701632.....56	1001092500 26, 30	1320224 123	2143519..... 95
0712024..... 11	1001092531 123	1686997 47	2143522..... 89, 95
0760505.....45	1001092532 47	1701505 128	2143532..... 89, 95
0760508.....123	1001092576 47	1701640 128	2143533..... 89, 95
0760605..... 25, 26, 30, 51	1001092693 45	1701785 128	2143563..... 95
0760608..... 21, 26, 30, 51, 56, 65	1001092775 21	1702773 128	2143603..... 89, 95
0760610..... 26, 30, 123	1001092789 65	1703687 128	2143604..... 89
0760612..... 25, 29, 65	1001092796 59	1703811 128	2143605..... 89, 95
0760615.....65	1001092799 58	1703812 128	2143606..... 89, 95
0760807.....51	1001092809 ... 64, 90, 97	1703814 128	2143607..... 95
0760810..... 11, 26, 29, 30	1001092911 47	1703819 128	2143608..... 89, 95
0760812..... 9, 25, 29, 47	1001092937 64	1704277 128	2143609..... 89, 95
0760814..... 25, 51	1001092938 64	1704412 128	2143610..... 89, 95
0760815.....69	1001092939 64	1704885 128	2143703..... 95
0760816.....47	1001092940 64	1705515 128	2143704..... 89
0761008..... 45, 59, 64	1001092947 ... 26, 30, 43, 122	1705671 128	2143705..... 89, 95
0761010..... 21, 25, 29, 45, 47, 56, 57, 64	1001092948 122	1705673 128	2143709..... 89, 95
0761012..... 47, 64	1001092954 64	1706098 128	2143803..... 89, 95
0761014..... 21, 25, 29	1001092955 64	1706482 128	2143807..... 13, 89, 95
0761016.....47	1001092958 64	1706485 128	2143809..... 89, 95
0761212..... 9, 25, 29, 45	1001093353 43	1706575 128	2144105..... 89, 95
0761214..... 11, 47, 59, 64	1001093354 43	1706576 128	2144411..... 95
0761215..... 13	1001093355 43	1706577 128	21600169, 11, 21, 56, 57, 59, 64
0761217.....64	1001093361 43	1706578 128	2171712..... 89, 95
0761228.....65	1001093379 43	1706674 128	2171716..... 89, 95
0761616.....45	1001093750 64	1706680 128	2171816..... 89, 95
0761618..... 9	1001093791 64	1782217 25, 30	2221222..... 79, 88, 94
0762019.....56	1001093797 47	2080040 65, 128	2221237..... 89, 95
0762020.....45	1001093798 47	2141503 89, 95	2300014..... 134
0771618..... 13	1001094298 66	2141506 89, 95	2300029..... 134
0893076.....33, 37	1001094503 89	2141908 ... 89, 91, 95, 97	2560141..... 69
1001091198.....47	1001094641 43, 132	2142103 88, 94	2600281..... 65
1001091423..... 56, 79	1001094642 43, 132	2142203 88, 94	2754371..... 89, 95
1001091513.....47	1001094781 26, 30	2142205 88, 94	2754475..... 90, 96
		2142206 88, 94	2754494..... 89, 95
		2142207 95	

SECTION 10 - SPECIAL OPTIONS

2754549.....	90	3291207.....	56	4812500.....	64	70000395.....	17
2754550.....	90, 96	3291601.....	45	4831600.....	11, 26, 30, 45,	70000396.....	17
2754551.....	90	3291605.....	56, 59	56, 79		70000397.....	17
2754552.....	90, 96	3292005.....	64	4831700.....	21, 25, 26, 30,	70000398.....	17
2754553.....	90, 96	3293605.....	11	51, 56, 65, 123		70000399.....	17
2754554.....	90, 96	3332011.....	11	48319009, 11, 21, 25, 29,		70000400.....	17
2754555.....	89	3371708.....	56	30, 47, 51, 57		70000401.....	17
2754556.....	89	3760523.....	64	4832000.....	13, 21, 25, 29,	70000402.....	17
2754557.....	89, 95	3820510.....	21	30, 45, 47, 56, 57, 59,		70000403.....	17
2754558.....	89, 95	3900376.....	64	64		70000404.....	17
2754559.....	57, 91, 97	4010414.....	69	48321009, 11, 13, 25, 29,		70000405.....	17
2754560.....	89, 95	4031510.....	21	45, 47, 51, 59, 65		70000406.....	17
2754561.....	89, 95	4031605.....	26, 30	4832300.....	9, 21, 45	70000407.....	17
2754562.....	89, 96	4031612.....	11, 56	4832500.....	56	70000408.....	17
2754563.....	89, 95	4031709.....	57, 64, 69, 123	5241600.....	13	70000409.....	17
2754564.....	90, 96	4032009.....	47	5242000.....	11	70000410.....	17
2754565.....	89, 96	4032018.....	11	5271512.....	79	70000411.....	17
2754566.....	89, 95	4032020.....	13	70000020.....	88, 94, 130	70000412.....	17
2754567.....	91, 97	4032025.....	79	70000021.....	88, 94	70000413.....	17
2754568.....	89, 95	4032109.....	59	70000043.....	48	70000414.....	17
2754569.....	91, 97	4032111.....	51, 56	70000044.....	48	70000415.....	17
2754570.....	91, 97	4032113.....	18	70000054.....	47, 130	70000416.....	17
2754571.....	91, 97	4060802.....	26, 30, 69	70000055.....	48	70000417.....	17
2754572.....	89, 95	4060865.....	134	70000056.....	48	70000418.....	17
2754574.....	89	4360314.....	26, 30, 130	70000057.....	48	70000419.....	17
2754575.....	89, 95	4360387.....	69, 130	70000058.....	48	70000420.....	17
2754576.....	90, 96	4360469.....	26, 30, 130	70000059.....	48	70000421.....	17
2754577.....	90, 96	4360475.....	26, 30, 69, 130	70000060.....	48	70000422.....	17
2754578.....	90, 96	4360525.....	69, 130	70000061.....	48	70000423.....	17
2754579.....	90, 96	4360671.....	26, 30, 130	70000062.....	48	70000424.....	17
2754580.....	90, 96	4360693.....	69, 130	70000073.....	48, 49	70000425.....	17
2754581.....	90, 96	4360698.....	26, 30, 69, 130	70000074.....	48, 49	70000426.....	17
2754582.....	90, 96	4420051.....	128	70000077.....	48	70000427.....	17
2754583.....	90, 96	4460226.....	71	70000081.....	71	70000428.....	17
2754584.....	90, 96	4460259.....	123	70000082.....	71	70000429.....	17
2754585.....	90, 96	4460260.....	123	70000083.....	71	70000430.....	17
2754586.....	90, 96	4460265.....	71	70000084.....	71	70000431.....	17
2754587.....	90, 96	4460266.....	71, 123	70000085.....	71	70000432.....	17
2754588.....	90, 96	4460267.....	71, 123	70000150.....	79	70000433.....	17
2754589.....	90, 96	4460418.....	123	70000155.....	13	70000434.....	17
2754590.....	90, 96	4460419.....	123	70000156.....	13	70000513.....	41
2754591.....	90, 96	4460462.....	123	70000157.....	13	70000514.....	41
2754592.....	90, 96	4460464.....	123, 124	70000158.....	13	70000515.....	41
2754593.....	90, 96	4460465.....	122, 123, 124	70000198.....	81	70000516.....	41
2754594.....	90, 96	4460467.....	134	70000201.....	77	70000517.....	41
2754595.....	90, 96	4460468.....	122	70000202.....	75	70000518.....	41
2754596.....	90, 96	4460470.....	69	70000219.....	79	70000519.....	41
2754597.....	90, 96	4460471.....	69	70000220.....	79	70000520.....	41
2754598.....	90, 96	4460492.....	122	70000241.....	17	70000521.....	41
2754599.....	90, 96	4460502.....	122	70000256.....	17	70000522.....	41
2754600.....	90, 96	4460503.....	123	70000257.....	17	70000523.....	41
2754601.....	90, 96	4460510.....	134	70000264.....	48	70000524.....	41
2754602.....	90, 96	4460891.....	124	70000267.....	35	70000525.....	41
2860030.....	26, 30, 130	4460897.....	124	70000269.....	35	70000526.....	41
2920161.....	134	4740120.....	69	70000270.....	35	70000527.....	41
3020008.....	134	4811600.....	123	70000271.....	35	70000528.....	41
3020016.....	134	4811700.....	25, 26, 29, 30,	70000332.....	35	70000529.....	41
320066.....	29	51, 64, 65, 123		70000333.....	35	70000530.....	41
3290505.....	123	4811702.....	123	70000385.....	35, 130	70000531.....	41
3290605.....	25, 26, 29, 30,	4811900.....	26, 29, 30, 47,	70000387.....	17	70000532.....	41
51, 64, 65, 123		51, 69		70000388.....	17	70000533.....	41
3290805.....	25, 26, 29, 30,	4811902.....	69	70000389.....	18	70000534.....	41
47, 51, 69		4812000.....	11, 21, 51, 56,	70000390.....	18	70000535.....	41
3291001.....	25	65		70000391.....	18	70000536.....	41
3291005.....	11, 21, 47, 51,	4812100.....	11, 47, 51, 56,	70000392.....	18	70000537.....	41
56, 65		64, 65		70000393.....	18	70000538.....	41
3291205.....	51, 56, 64, 65	4812300.....	56, 59	70000394.....	17	70000539.....	41

SECTION 10 - SPECIAL OPTIONS

70000540.....41	70001823.....122	7027919.....37	E000419.....43, 69
70000541.....41	70001824.....122	7027920.....37	E000420.....69
70000542.....41	70001825.....122	7027921.....37	E000457.....43, 130
70000543.....41	70001826.....122	7027922.....37	E000481.....122, 123
70000629.....17	70001827.....122	7027923.....37	E000482.....123
70000630.....17	70001828.....122	7027924.....37	E001206.....43
70000631.....17	70001829.....122	7027925.....37	E001375.....43, 130
70000634.....26, 30	70001830.....122	7027926.....37	E001376.....43
70000635.....26, 30, 130	70001831.....122	7027927.....37	E900025.....69, 71, 130
70000683.....71	70001832.....122	7027928.....37	E900027.....69
70000684.....71	70001845.....49	7027929.....37	E900029.....69
70000685.....71	70001847.....48	7027930.....37	E900030.....69
70000686.....71	70001850.....48	7027931.....37	E900031.....69
70000902.....25, 29	70001851.....48	7027932.....37	E900032.....26, 30
70000916.....48	70001852.....48	7027934.....37	E900033.....26, 30
70000917.....48	70001857.....48	7027935.....37	E900034.....26, 30
70000918.....48	70001858.....48	7027936.....37	E900041.....69, 123
70000919.....48	70001862.....124	7027937.....37	E900042.....69, 122
70000922.....48	70002076.....39	7027938.....15	E900043.....123
70000924.....124, 130	70002077.....39	7027950.....15	E900045.....123
70000925.....124, 130	70002078.....39	7027951.....15	E900048.....26, 30, 69
70000952.....43, 122	70002079.....39	7027952.....15	E900049.....69
70000953.....43, 122	70002080.....39	7027953.....15	E900055.....26, 30, 123
70000954.....43, 122	70002081.....39	7027954.....15	E900056.....123, 130
70000955.....43, 122	70002082.....45	7027955.....15	E900057.....43
70000956.....43, 122	70003217.....48	7027956.....15	E900059.....43
70001114.....26, 30	70003486.....128	7027957.....15	H000006.....94
70001122.....26, 31	70003616.....43	7027958.....15	H000013.....45
70001126.....49	7002821.....134	7027959.....15	H000018.....88, 94
70001128.....49	7002822.....134	7027960.....15	H000019.....29
70001129.....49	7002823.....134	7028846.....33	H000038.....25, 29
70001130.....49	7002826.....134	7028847.....33	H000039.....25, 29
70001131.....49	7002828.....134	7028848.....33	H000040.....25, 29
70001132.....49	7004275.....134	7028849.....33, 37	H000046.....64, 81
70001133.....48	7004276.....134	7028893.....33	H000048.....25, 29
70001134.....48	7010543.....29	8003063.....33	H000049.....25, 29
70001135.....48	7012941.....29	8005376.....47	H000051.....25, 29
70001136.....48	7012972.....75, 88, 94	8007894.....33	H000072.....64
70001137.....48	7012986.....29, 75, 88, 94, 130	8007915.....33, 37	H000101.....79
70001138.....48	7016330.....48	8007935.....33	H000115.....88
70001352.....26, 30, 132	7016331.....48, 130	8007939.....33	H000116.....33
70001353.....26, 30	7016654.....134	8007944.....33	H000151.....88, 94
70001355.....26, 30	7017444.....79, 130	8007953.....33, 37	H000191.....33
70001435.....48	7020023.....48, 130	8007954.....33	H000206.....33
70001765.....123	7020175.....69	8008750.....25, 30	H000214.....13, 17
70001791.....45, 130	7020176.....26, 30, 69	80334555.....15	H000215.....13, 15
70001802.....123	7020449.....48	8229236.....124	H000241.....45, 130
70001803.....123	7020459.....48	8303891.....69	H000273.....88, 94
70001804.....123	7020465.....48	8410011.....47	H000278.....88, 94
70001805.....122	7020468.....48	8990147.....128	H000280.....75, 88, 94
70001806.....122	7020480.....48	DL0113.....29	H000285.....25, 41
70001807.....122	7020486.....49	E000016.....57, 65	H000305.....88, 94
70001808.....122	7020492.....48	E000044.....26, 30, 130	H000311.....88, 94
70001809.....122	7021632.....79	E000045.....57, 65	H000335.....88, 94
70001810.....122	7023919.....79	E000059.....26, 30, 130	H000339.....88, 94
70001811.....122	7024579.....48	E000063.....26, 30	H000352.....33
70001812.....122	7024897.....75, 88, 94	E000072.....26, 30	H000370.....25, 29
70001813.....122	7027240.....48	E000083.....122	H000371.....57, 64, 69, 123
70001814.....122	7027249.....48	E000102.....122, 123	H000412.....25, 29
70001815.....122	7027367.....71	E000103.....123	H000430.....57
70001816.....122	7027765.....71	E000108.....123	H000436.....25, 29, 35
70001817.....122	7027766.....71	E000189.....43, 132	H000512.....33
70001818.....122	7027912.....33	E000214.....43, 132	H000514.....33
70001819.....122	7027916.....37	E000269.....11, 21, 56	H000536.....88, 94
70001820.....122	7027917.....37	E000359.....21, 132	H000558.....21
70001821.....122	7027918.....37	E000375.....43	H000559.....21
70001822.....122	7027918.....37	E000376.....11, 56, 132	H000580.....33

SECTION 10 - SPECIAL OPTIONS

H000602.....	33	S000079-05.....	57	S001595.....	58	S200536.....	64
H000620.....	79	S000083.....	59	S001640.....	64	S200540.....	65
H000621.....	21, 77	S000092.....	59	S001676.....	51	S200542.....	65
H000622.....	21, 77	S000107.....	56	S001735.....	58	S200543.....	9
H000623.....	11, 75	S000114.....	57, 58	S001803.....	58	S200544.....	9
H000624.....	9, 83	S000114-02.....	57	S001829.....	58	S200545.....	9
H000699.....	25, 29, 33	S000114-03.....	57	S001831.....	58	S200546.....	9
H000700.....	25, 29, 37	S000118.....	58	S003992.....	13, 18	S200547.....	9
H000705.....	88, 94	S000120.....	58	S004028.....	58	S200548.....	9
H000706.....	45	S000124.....	57	S004042.....	58	S200550.....	11
H000707.....	25, 39	S000131.....	58	S004059.....	58	S200551.....	11
H000711.....	47	S000132.....	57, 58	S004063.....	56	S200552.....	11
H003000.....	75	S000132-06.....	57	S004067.....	56	S200553.....	11
H003001.....	75, 77	S000132-07.....	57	S004068.....	56	S200554.....	11
H003002.....	75	S0001429, 11, 21, 56, 59,		S004500.....	21	S200555.....	11
H003003.....	77	64		S004501.....	21	S200557.....	21
H003004.....	79	S000144.....	57, 58	S005001.....	58	S200558.....	47
H003005.....	79	S000144-06.....	57	S005002.....	9	S200559.....	25, 29
H003006.....	75, 77	S000144-07.....	57	S005003.....	58	S200560.....	45
H003008.....	75, 77	S000145.....	65	S005006.....	58	S200561.....	45
H003009.....	75	S000160.....	57, 58	S005007.....	58	S200562.....	25, 29
H003011.....	77	S000161.....	57, 58	S005008.....	58	S200564.....	25
H003012.....	79	S000161-06.....	57	S005009.....	58	S200569.....	56
H003013.....	77	S000161-07.....	57	S005011.....	58	S200573.....	47
H003060.....	81	S000162.....	57, 58	S005018.....	58	S200574.....	47
H003062.....	81	S000162-02.....	57	S005019.....	58	S200575.....	47
H003080.....	81	S000162-06.....	57	S005020.....	58	S900092.....	51
H003081.....	83	S000163.....	57, 58	S005021.....	58	S900093.....	51
H003086.....	79	S000163-03.....	57	S005023.....	58	S900113.....	65
H003087.....	83	S000164.....	57, 58	S005030.....	11, 21	S900117.....	65
H003093.....	83	S000165.....	57, 58	S005044.....	51	S900118.....	65
H003104.....	81, 83	S000166.....	57, 58	S005045.....	51	S900156.....	9
H003116.....	81, 83	S000169.....	56	S005172.....	47	S900157.....	21
H003190.....	9	S000194.....	56	S200027-11.....	65	S900158.....	21
H004083.....	47	S000196.....	56	S200205.....	56	S900160.....	9
H005224.....	48	S000197.....	56	S200238.....	65, 130	S900161.....	11
H005232.....	47, 130	S000199.....	59	S200247.....	9	S900162.....	45
H005234.....	47	S000201.....	59	S200265.....	26, 30	S900163.....	51
H005237.....	47	S000203.....	59	S200482.....	83	S900164.....	51
H005238.....	47	S000204.....	59	S200483.....	83	S900165.....	21
H005239.....	47	S000206.....	56	S200484.....	83	S900166.....	21
H005242.....	47	S000209.....	79	S200485.....	83	S900167.....	21
H005247.....	33, 37	S000210.....	79	S200487.....	77	S900170.....	64
H005250.....	33	S000211.....	79	S200488.....	77	S900174.....	57
H005271.....	83	S000212.....	79	S200489.....	77	S900178.....	64
H005279.....	33	S000213.....	79	S200490.....	77	S900189.....	11
H005451.....	13	S000216.....	21	S200491.....	77	S900211.....	11
H005624.....	13	S000217.....	56	S200497.....	75	S900223.....	57
H705722.....	79	S000219.....	51	S200498.....	75	S900231.....	11
H705724.....	79	S000224.....	51	S200499.....	75	S900235.....	65
H900043.....	79	S000225.....	51	S200500.....	75	S900240.....	58
S000002.....	59	S000226.....	51	S200502.....	81	S900264.....	65
S000003.....	59	S000232.....	51	S200503.....	81	S900268.....	65
S000008.....	56	S000237.....	64	S200505.....	81	S900269.....	64
S000034.....	57	S000265.....	81	S200506.....	81	S900271.....	65
S000036.....	57, 58	S000279.....	58	S200510.....	64	S900274.....	65
S000036-10.....	57	S000289.....	51	S200511.....	65	S900275.....	65
S000037.....	57, 58	S001445.....	64	S200512.....	65	S900276.....	64
S000037-10.....	57	S001491.....	57	S200513.....	65	S900277.....	64
S000050.....	11	S001492.....	57	S200514.....	65	S900278.....	65
S000058.....	57, 58	S001493.....	75	S200518.....	64	S900289.....	65
S000060.....	57, 58	S001496.....	58	S200528.....	64	S900291.....	65
S000060-05.....	57	S001497.....	58	S200529.....	64		
S000060-06.....	57	S001498.....	58, 79	S200531.....	65		
S000079.....	57, 58	S001553.....	9, 59, 83	S200532.....	65		



An Oshkosh Corporation Company

JLG Industries, Inc.
1 JLG Drive
McConnellsburg PA. 17233-9533
USA
Phone: +1-717-485-5161
Customer Support Toll Free: 1-877-554-5438
Fax: +1-717-485-6417

JLG Worldwide Locations

JLG Industries (Australia)
P.O. Box 5119
11 Bolwarra Road
Port Macquarie
N.S.W. 2444
Australia
Phone: +61 2 65811111
Fax: +61 2 65813058

JLG Latino Americana Ltd.
Rua Antonia Martins Luiz, 580
Distrito Industrial João Narezzi
13347-404 Indaiatuba - SP
Brazil
Phone: +55 19 3936 8870
Fax: +55 19 3935 2312

JLG Industries (UK) Ltd
Bentley House
Bentley Avenue
Middleton
Greater Manchester
M24 2GP
England
Phone: +44 (0)161 654 1000
Fax: +44 (0)161 654 1001

JLG France SAS
Z.I. de Baulieu
47400 Fauillet
France
Phone: +33 (0)5 53 88 31 70
Fax: +33 (0)5 53 88 31 79

JLG Deutschland GmbH
Max-Planck-Str. 21
D - 27721 Ritterhude-Ihlpohl
Germany
Phone: +49 (0)421 69 350 20
Fax: +49 (0)421 69 350 45

JLG Equipment Services Ltd.
Rm 1107 Landmark North
39 Lung Sum Avenue
Sheung Shui N.T.
Hong Kong
Phone: +852 2639 5783
Fax: +852 2639 5797

JLG Industries (Italia) s.r.l.
Via Po. 22
20010 Pregnana Milanese - MI
Italy
Phone: +39 029 359 5210
Fax: +39 029 359 5845

JLG Europe B.V.
Polaris Avenue 63
2132 JH Hoofddorp
The Netherlands
Phone: +31 (0)23 565 5665
Fax: +31 (0)23 557 2493

JLG Polska
Ul. Krolewska
00-060 Warszawa
Poland
Phone: +48 (0)914 320 245
Fax: +48 (0)914 358 200

Plataformas Elevadoras
JLG Iberica, S.L.
Trapadella, 2
P.I. Castellbisbal Sur
08755Castellbisbal, Barcelona
Spain
Phone: +34 93 772 4 700
Fax: +34 93 771 1762

JLG Sverige AB
Enkopingsvagen 150
Box 704
SE - 176 27 Jarfalla
Sweden
Phone: +46 (0)850 659 500
Fax: +46 (0)850 659 534

www.jlg.com