



Illustrated Parts Manual

Model SSV-10

P/N
3121188

April 12, 2012

ANSI

CE



An Oshkosh Corporation Company

REVISION LOG

June 1, 2004 - Original Issue Of Manual (Edited to B/M 0010611 Revision 1)
September 20, 2004 - Revised Manual (Edited to B/M 0010611 Revision 4)
January 31, 2005 - Revised Manual (Edited to B/M 0010611 Revision 7)
June 2, 2005 - Revised Manual (Edited to B/M 0010611 Revision 8)
December 15, 2005 - Revised Manual (Edited to B/M 0010611 Revision 9)
November 3, 2006 - Revised Manual (Edited to B/M 0010611 Revision 9)
July 29, 2009 - Revised Manual (Edited to B/M 0010611 Revision 10)
April 4, 2012 - Revised Manual

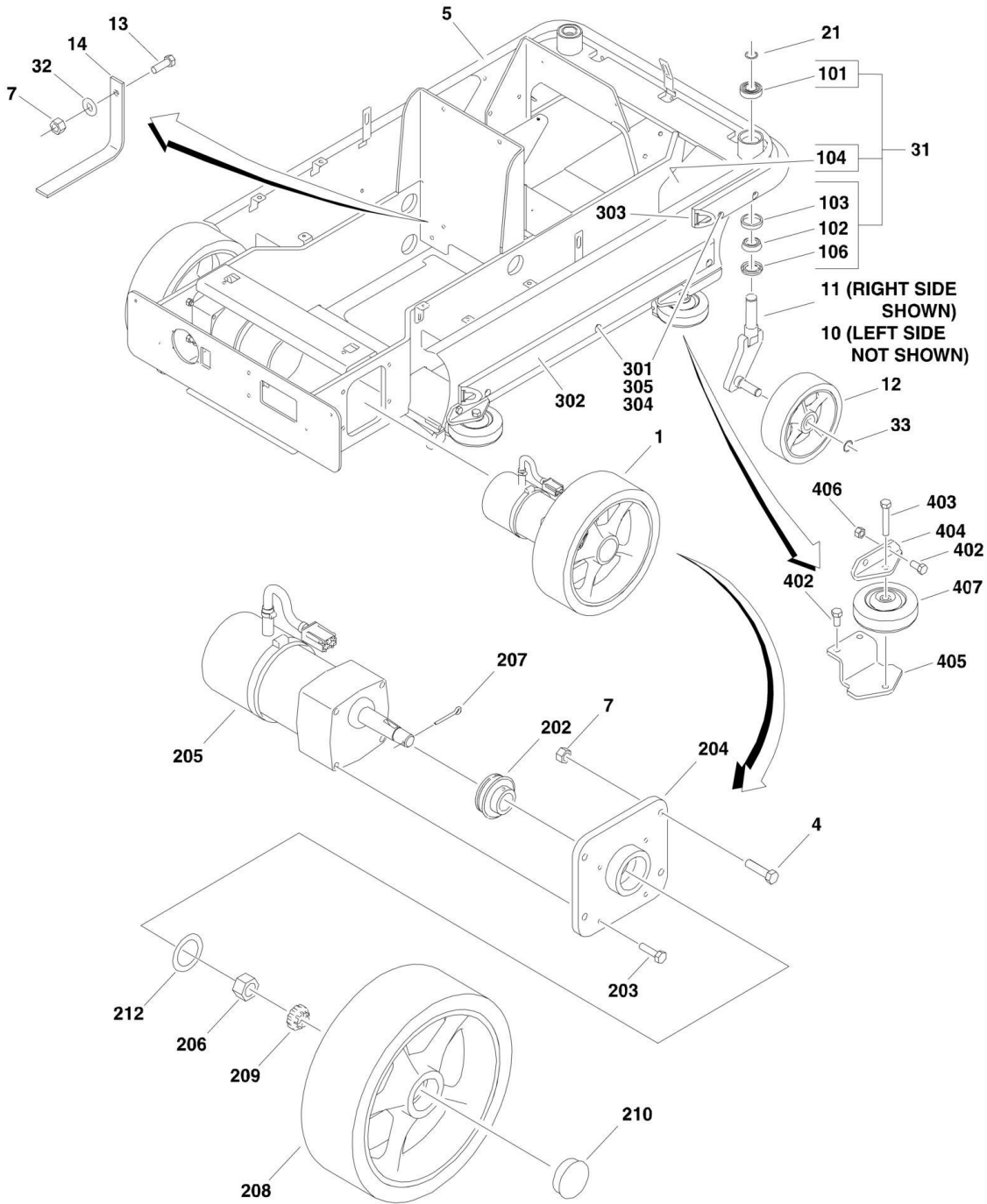
TABLE OF CONTENTS

SECTION 1 - BASE.....	7
FIGURE 1-1. BASE MOUNTED COMPONENTS INSTALLATION	8
FIGURE 1-2. DRIVE MOTOR ASSEMBLY	12
FIGURE 1-3. COVERS AND TIE-DOWNS INSTALLATION	14
SECTION 2 - CONTROLS	17
FIGURE 2-1. PUMP MOTOR ASSEMBLY AND INSTALLATION	18
FIGURE 2-2. CHARGER, HORN AND BATTERIES INSTALLATION.....	22
FIGURE 2-3. BATTERY CHARGER ASSEMBLY	24
FIGURE 2-4. GROUND COMPONENTS INSTALLATIONS.....	26
FIGURE 2-5. PLATFORM CABLES AND CONTROLS INSTALLATION.....	28
FIGURE 2-6. CONTROL BOX ASSEMBLY.....	30
SECTION 3 - MAST.....	33
FIGURE 3-1. MAST ASSEMBLY AND INSTALLATION.....	34
SECTION 4 - PLATFORM.....	37
FIGURE 4-1. PLATFORM INSTALLATION	38
FIGURE 4-2. MATERIAL TRAY INSTALLATION	40
FIGURE 4-3. OPTIONAL BICYCLE CARRIERS INSTALLATION.....	42
FIGURE 4-4. OPTIONAL RUG CARRIER INSTALLATION	44
FIGURE 4-5. OPTIONAL FLUORESCENT TUBE CADDY ASSEMBLY	46
SECTION 5 - CYLINDER.....	49
FIGURE 5-1. LIFT CYLINDER ASSEMBLY	50
FIGURE 5-2. LIFT CYLINDER ASSEMBLY	52
SECTION 6 - HYDRAULIC	55
FIGURE 6-1. HYDRAULIC DIAGRAM.....	56
SECTION 7 - ELECTRICAL	59
FIGURE 7-1. ELECTRICAL SCHEMATIC.....	60
FIGURE 7-2. ELECTRICAL COMPONENTS INSTALLATION.....	62
SECTION 8 - DECALS.....	67
FIGURE 8-1. DECAL INSTALLATION.....	68
SECTION 9 - RECOMMENDED SERVICE PARTS STOCK	71
FIGURE 9-1. SSV-10 STANDARD PARTS	72
FIGURE 9-2. SSV-10 VARIABLE PARTS	74
SECTION 10 - SPECIAL OPTIONS.....	75
FIGURE 10-1. SPECIAL OPTIONS.....	76
PART NUMBER INDEX	77

SECTION 1 - BASE

SECTION 1 - BASE

FIGURE 1-1. BASE MOUNTED COMPONENTS INSTALLATION



SECTION 1 - BASE

FIGURE 1-1. BASE MOUNTED COMPONENTS INSTALLATION

ITEM	PART NUMBER	QTY	DESCRIPTION	REV
	0273784	Ref	BASE ASSEMBLY	I
1	0273622	2	Drive Motor and Wheel Assembly (See Items 201-212 for Breakdown)	
4	0641612	8	Bolt 3/8in-16NC x 1 1/2in	
5	0940132	1	Bumper, Chassis	
7	3311605	9	Locknut 3/8in-16NC	
10	4520342	1	Spindle (Left Side)	
11	4520343	1	Spindle (Right Side)	
12	4520281	2	Tire and Wheel Assembly	
13	0641609	1	Bolt 3/8in-16NC x 1 1/8in	
14	4240147	1	Strap, Static	
21	3760115	2	Ring, Retaining	
30	0100081	AR	Loctite #454 (Not Shown)	
31	0274164	1	Frame Assembly (See Items 101-106 for Breakdown)	
32	4711600	1	Flatwasher 3/8in Narrow	
33	3760496	2	Ring, Retaining	
34	3020039	AR	Lubricant Loctite #51049	
35	8882970	AR	Coating, Clear	
	0274164	Ref	FRAME ASSEMBLY	K
101	0440306	2	Bearing, Ball	
102	0440307	2	Bearing, Roller	
103	0440308	2	Bearing, Race	
104	2360697	1	Frame	
105	3020029	AR	Grease (Not Shown)	
106	3960590	2	Seal	
	0273622	Ref	DRIVE MOTOR AND WHEEL ASSEMBLY	I
		Ref	Note: Qty shown is for one side.	
201	0100011	AR	Locking Compound (Not Shown)	
202	0440258	1	Bearing	
203	0651409	4	Bolt 1/4in-28NF x 1in	
204	2360665	1	Mount, Motor	
205	3160303	1	Motor Assembly (See DRIVE MOTOR ASSEMBLY for Breakdown)	
206	3312202	1	Nut 3/4in-10NC	
207	3450505	1	Pin, Cotter 5/32in x 1/2in	
208	4520280	1	Tire and Wheel Assembly	
209	2940164	1	Cover, Locking Nut	
210	1120579		Plug	
211	3020039	AR	Lubricant Loctite #51049 (SN 0130006558 to Present)	
212	4712400	1	Flatwasher 7/8in Narrow	
	0274078	Ref	BUMPERS INSTALLATION (OPTIONAL)	B
301	0641410	13	Bolt 1/4in-20NC x 1 1/4in	
302	0940152	2	Bumper, Side	
303	0940153	1	Bumper, Front	
304	3311405	13	Locknut 1/4in-20NC	
305	4751400	26	Flatwasher 1/4in Wide	
	0240103	Ref	GUIDE ROLLER ATTACHMENT (OPTIONAL)	A
401	0100011	AR	Locking Compound	
402	0641606	16	Bolt 3/8in-16NC x 3/4in	
403	0641617	4	Bolt 3/8in-16NC x 2 1/8in	

SECTION 1 - BASE

ITEM	PART NUMBER	QTY	DESCRIPTION	REV
404	0903120	4	Bracket, Top Roller	
405	0903121	1	Bracket, Bottom Roller	
406	3311605	8	Locknut 3/8in-16NC	
407	4520352	4	Wheel	

SECTION 1 - BASE

FIGURE 1-2. DRIVE MOTOR ASSEMBLY

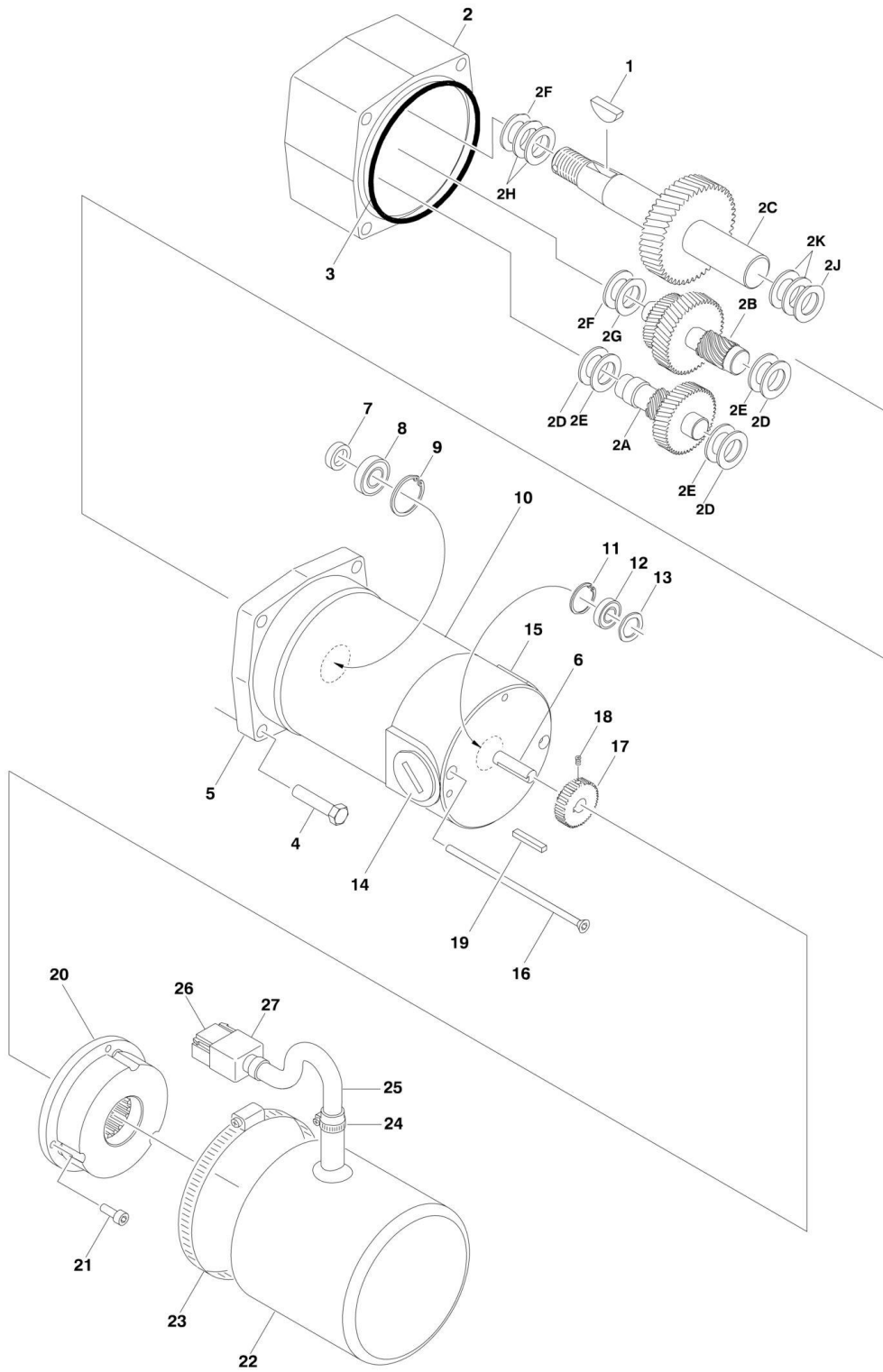
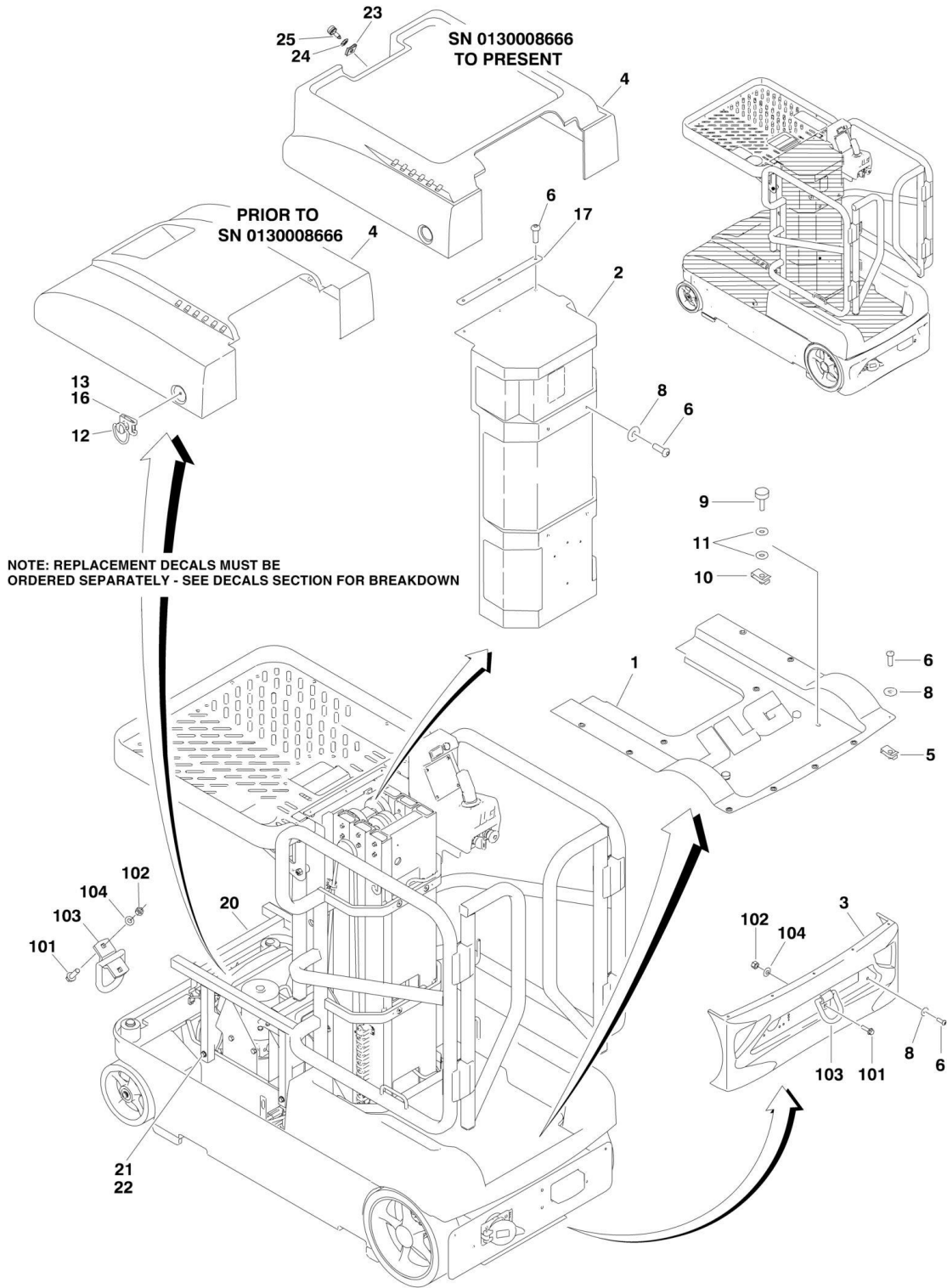


FIGURE 1-2. DRIVE MOTOR ASSEMBLY

ITEM	PART NUMBER	QTY	DESCRIPTION	REV
	3160303	Ref	DRIVE MOTOR ASSEMBLY	F
1	7018059	1	Key	
2	7018058	1	Housing, Gear	
2A	70000807	1	Primary Gear and Pinion	
2B	70000808	1	Secondary Gear and Pinion	
2C	70000809	1	Output Gear and Shaft	
2D	70001986	AR	Washer, Nylon	
2E	70001985	AR	Washer, Steel	
2F	70001984	AR	Washer, Nylon	
2G	70001989	AR	Washer, Steel	
2H	70001983	AR	Washer, Steel	
2J	70001988	AR	Washer, Nylon	
2K	70001987	AR	Washer, Steel	
3	7018028	1	O-Ring	
4	Not Available	4	Screw	
5	7018057	1	Adapter	
6	7018060	1	Armature	
7	Not Available	1	Seal	
8	Not Available	1	Bearing	
9	Not Available	1	Ring, Retaining	
10	7018056	1	Ring Assembly	
11	Not Available	1	Ring, Retaining	
12	Not Available	1	Bearing	
13	7018011	1	Washer, Wavy	
14	7018000	1	Brush Kit	
14	7018037	2	Cap, Brush	
14	7018061	2	Spring	
14	7018045	2	Cap, Brush	
15	Not Available	1	Shield	
16	7018055	2	Bolt, Thru	
17	Not Available	1	Gear	
18	Not Available	1	Screw M5 x 5mm (Part of Item 20)	
19	7018059	1	Key	
20	7018052	1	Brake Assembly	
21	Not Available	3	Screw	
22	7018054	1	Boot	
23	7018035	1	Clamp	
24	7018033	1	Clamp	
25	Not Available	1	Harness	
26	7018031	1	Housing, Terminal	
27	7018030	1	Boot, Housing	

SECTION 1 - BASE

FIGURE 1-3. COVERS AND TIE-DOWNS INSTALLATION



SECTION 1 - BASE

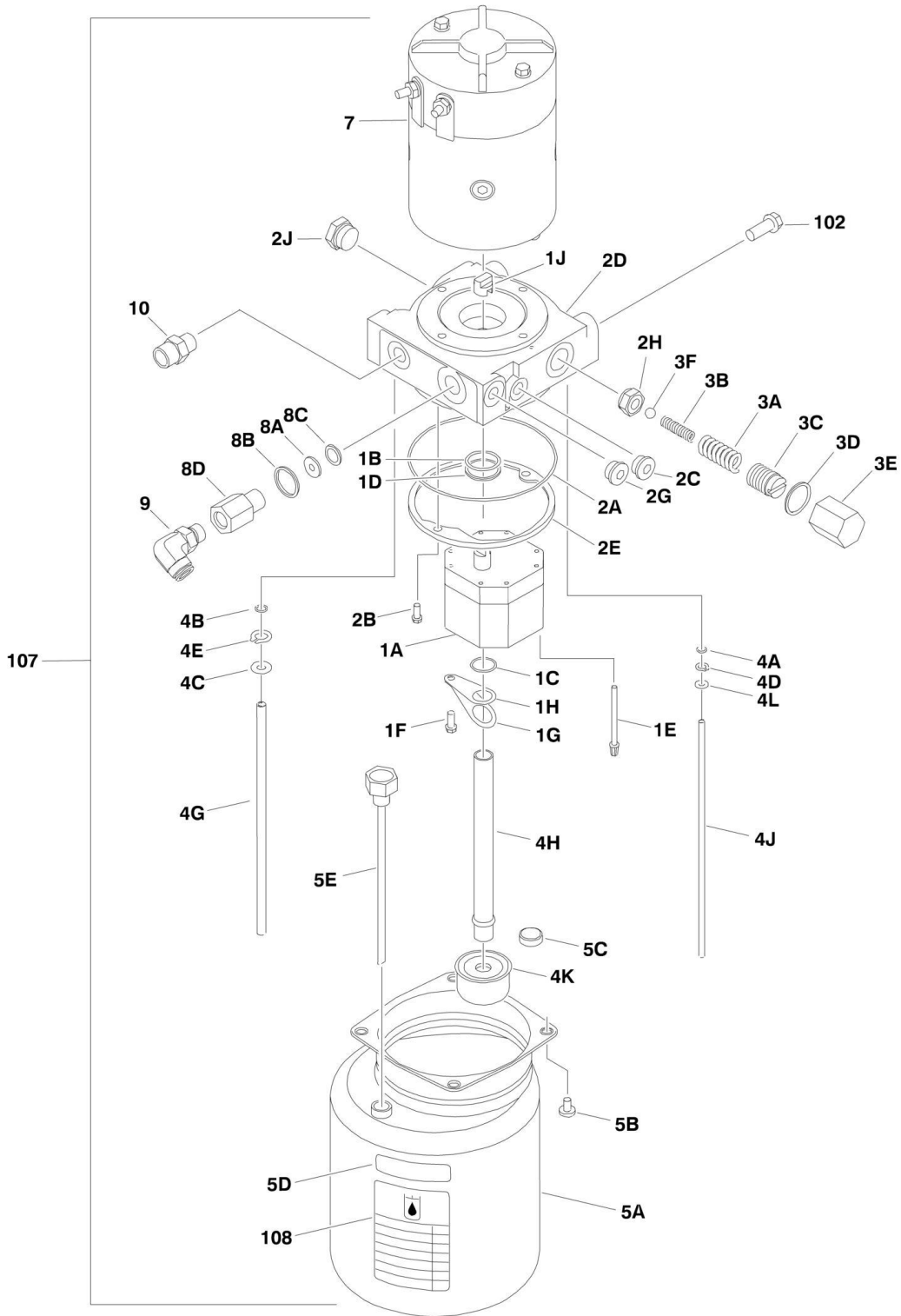
FIGURE 1-3. COVERS AND TIE-DOWNS INSTALLATION

ITEM	PART NUMBER	QTY	DESCRIPTION	REV
	0273549	Ref	COVER INSTALLATION	K
		Ref	Note: Replacement Decals must be ordered separately - See DECALS SECTION.	
1	1671141	1	Cover, Battery and Frame	
2	1671143	1	Cover, Mast	
3	1671146	1	Cover, Rear Bumper	
4		Ref	Cover, Front Hood Options:	
4	1671149	1	Cover, Front Hood (Prior to SN 0130007502)	
4	1671214	1	Cover, Front Hood (SN 0130007502 through 0130008665)	
4	1671298	1	Cover, Front Hood (SN 0130008666 to Present)	
5	3300454	9	Nut 1/4in-20NC	
6	3900258	22	Screw Button Head 1/4in-20NC x 3/4in	
8	4751400	19	Flatwasher 1/4in (Wide)	
9	0940049	2	Stopper, Hood	
10	3300364	2	Nut 5/16in-18NC (Tinnerman)	
11	4751500	4	Flatwasher 5/16in (Wide)	
12	2940179	3	Prior to SN 0130007030 (Was P/N 2940166) Latch, Fastener (Use with hood p/n 1671149)	
13	2940179	3	Prior to SN 0130007030 (Was P/N 2940167) Latch, Clip (Use with hood p/n 1671149)	
15	0100011	AR	Locking Compound (Not Shown)	
16	2940179	3	Prior to SN 0130007030 (Was P/N 2940168) Latch, Retainer (Use with hood p/n 1671149)	
17	0903222	1	Brace	
20	4341067	1	Support, Hood (SN 0130008666 to Present)	
21	0641616	4	Bolt 3/8in-16NC x 2 (SN 0130008666 to Present)	
22	4711600	4	Flatwasher 3/8in (Narrow) (SN 0130008666 to Present)	
23	1380169	1	Clip, Receptacle (Use with hood p/n 1671298) (SN 0130008666 to Present)	
24	3760308	1	Retainer (Use with hood p/n 1671298) (SN 0130008666 to Present)	
25	3900174	1	Screw, Thumb (Use with hood p/n 1671298) (SN 0130008666 to Present)	
	0240114	Ref	TIE-DOWNS INSTALLATION	A
101	0811610	4	Screw 3/8in-16NC x 1 1/4in	
102	3311605	4	Locknut 3/8in-16NC	
103	3760365	2	Tie-Ring	
104	4711600	4	Flatwasher 3/8in Narrow	

SECTION 2 - CONTROLS

SECTION 2 - CONTROLS

FIGURE 2-1. PUMP MOTOR ASSEMBLY AND INSTALLATION



SECTION 2 - CONTROLS

FIGURE 2-1. PUMP MOTOR ASSEMBLY AND INSTALLATION

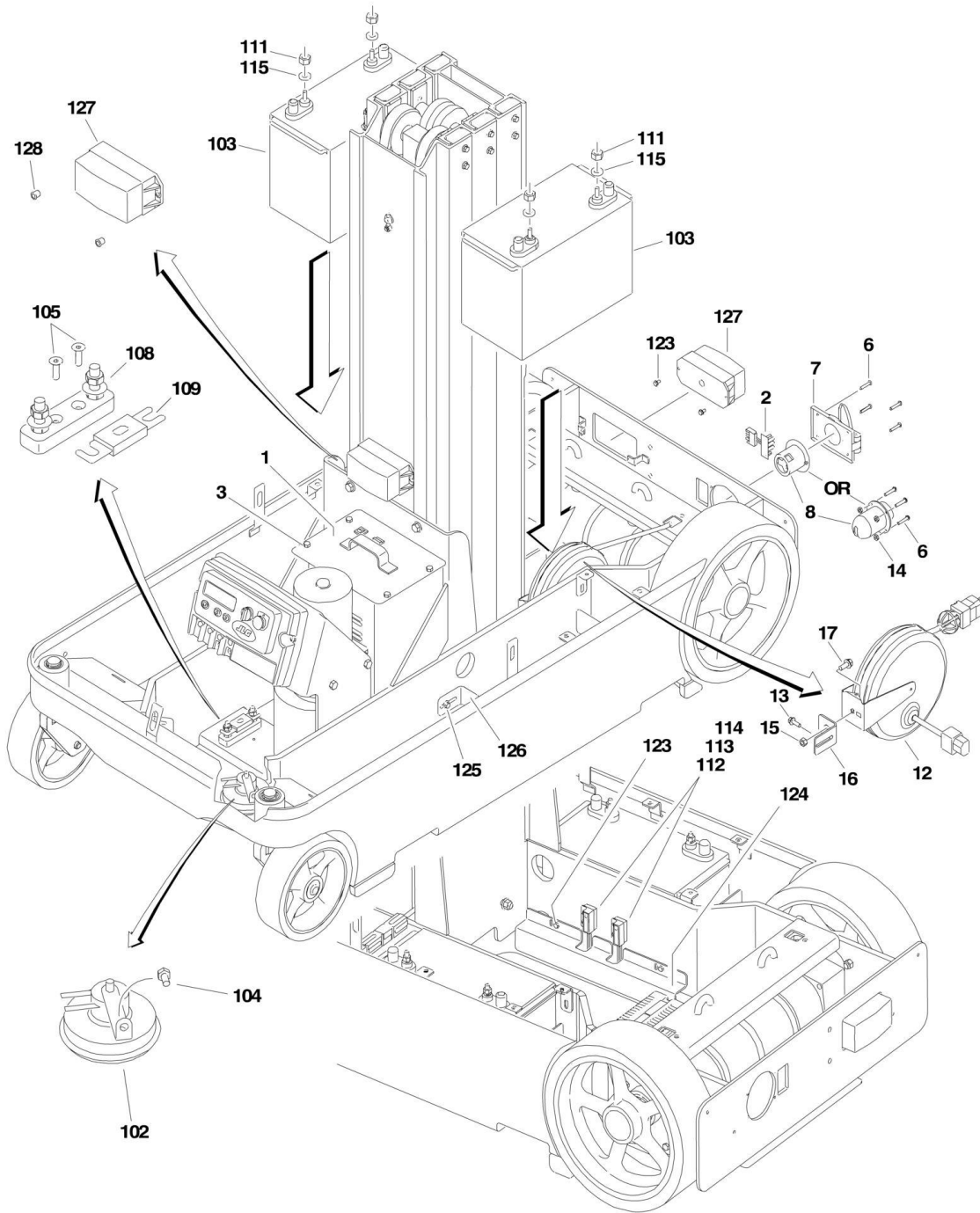
ITEM	PART NUMBER	QTY	DESCRIPTION	REV
	3600392	1	PUMP/MOTOR ASSEMBLY	D
1	7027943	Ref	Pump Components Kit	
1A	Not Available	1	Pump	
1B	Not Available	1	Seal	
1C	7011021	1	Seal	
1D	Not Available	1	Seal	
1E	7010928	4	Screw	
1F	7011033	1	Screw	
1G	Not Available	1	Lockwasher	
1H	Not Available	1	Retainer	
1J	7011016	1	Coupler	
2	7027944	Ref	Adaptor Components Kit	
2A	7011025	1	Seal	
2B	7011011	2	Screw	
2C	Not Available	1	Plug	
2D	Not Available	1	Adaptor	
2E	7011013	1	Retainer	
2F	Not Available	1	Plug, Plastic (Not Shown)	
2G	Not Available	1	Plug, Steel	
2H	Not Available	1	Seat Assembly	
2J	Not Available	1	Plug	
3	7027945	Ref	Relief Valve Components Kit	
3A	7011008	1	Spring	
3B	7011017	1	Spring	
3C	7011009	1	Screw, Adjustment	
3D	Not Available	1	Gasket	
3E	7011004	1	Cap	
3F	Not Available	1	Ball	
4	7027946	Ref	Tube Components Kit	
4A	7011024	1	Seal	
4B	Not Available	1	Seal	
4C	Not Available	1	Washer	
4D	7011031	1	Ring, Retaining	
4E	7011032	1	Ring, Retaining	
4G	Not Available	1	Tube	
4H	Not Available	1	Tube	
4J	Not Available	1	Tube	
4K	7011029	1	Strainer	
4L	7011034	1	Spacer	
5	7027947	Ref	Tank Components Kit	
5A	Not Available	1	Tank	
5B	Not Available	4	Screw	
5C	7011027	1	Magnet	
5D	Not Available	1	Label	
5E	7011069	1	Breather/Dipstick	
6	Not Available	1	Label (Not Shown)	
7	7027948	1	Motor Assembly	
7	70000041	1	Brush Kit	
8	7027949	Ref	Return Port Components Kit	
8A	Not Available	1	Seal	

SECTION 2 - CONTROLS

ITEM	PART NUMBER	QTY	DESCRIPTION	REV
8B	Not Available	1	Seal	
8C	Not Available	1	Washer	
8D	Not Available	1	Body, Return Port	
9	2221185	1	Fitting, 90	
10	2110606	1	Fitting, Straight	
		Ref	PUMP/MOTOR INSTALLATIONS	
	0273546	Ref	Standard Hydraulic Oil	E
	0274181	Ref	Fire Resistant Hydraulic Oil	A
101	0100011	AR	Locking Compound (Not Shown)	
102	0641606	2	Bolt 3/8in-16NC x 3/4in	
107	3600392	1	Pump/Motor Assembly (See Items 1-9 for Breakdown)	
108	1704412	1	Decal - Hydraulic Oil (Stamp Appropriately)	
109		Ref	Oil, Hydraulic Options (Not Shown):	
109	2300021	1.2 gals	Standard Hydraulic Oil	
109	2300014	1.2 gals	Fire Resistant Hydraulic Oil	

SECTION 2 - CONTROLS

FIGURE 2-2. CHARGER, HORN AND BATTERIES INSTALLATION



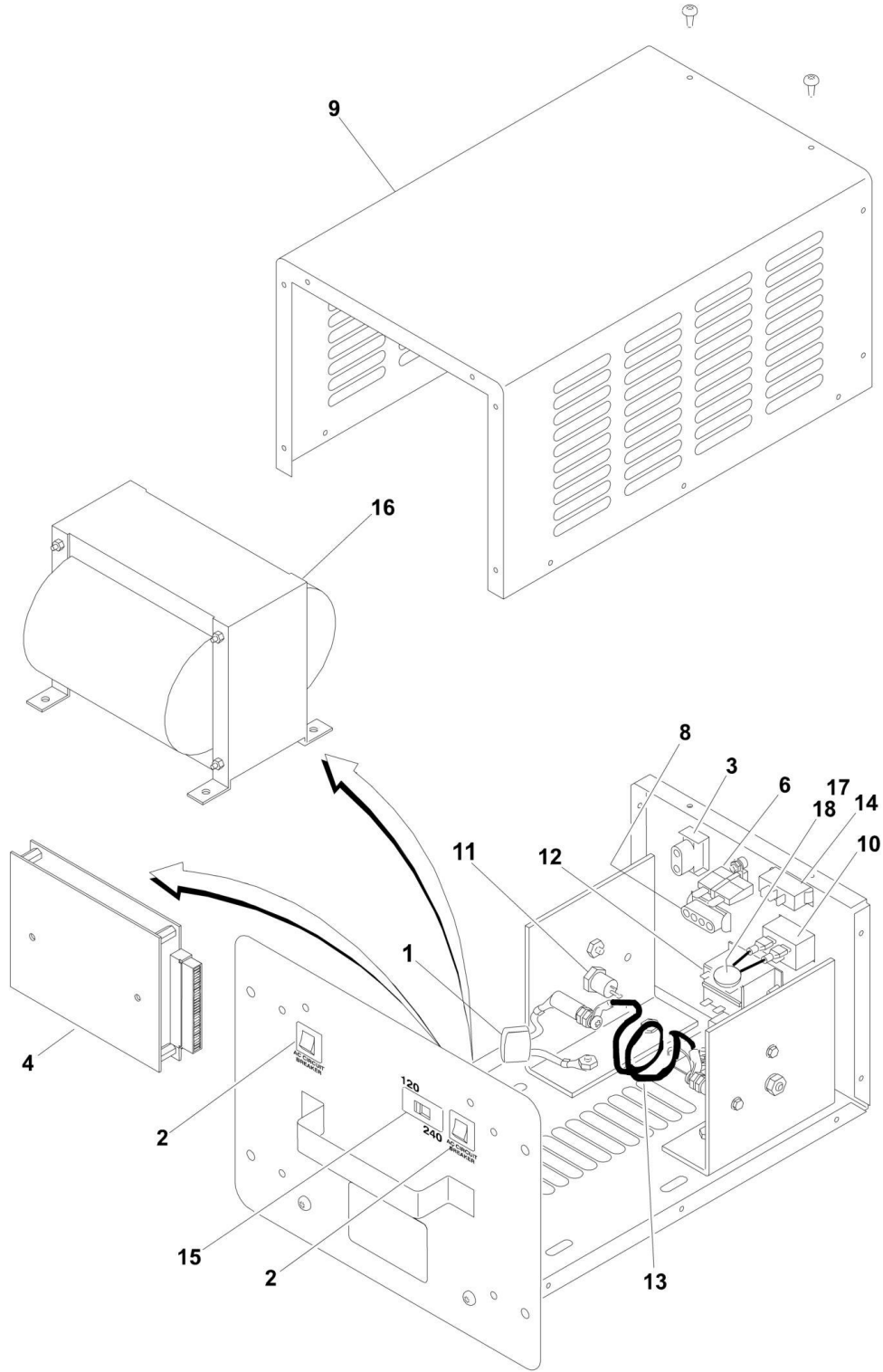
SECTION 2 - CONTROLS

FIGURE 2-2. CHARGER, HORN AND BATTERIES INSTALLATION

ITEM	PART NUMBER	QTY	DESCRIPTION	REV
		Ref	BATTERY CHARGER INSTALLATIONS	
	0273559	Ref	Charger with ANSI Plug	C
	0274169	Ref	Charger with Australian Plug	A
	0274168	Ref	Charger without Plug	A
	0274259	Ref	Charger with Plug/Cord Reel	A
1	0400208	1	Battery Charger Assembly (See BATTERY CHARGER ASSEMBLY for Breakdown)	
2	0610131	1	LED Board	
3	0641404	4	Bolt 1/4in-20NC 1/2in	
6	3911016	4	Screw #10-24NC x 1in	
7		Ref	Cover, Terminal Options:	
7	4460802	1	Charger with Plug	
7	4460802	1	Charger without Plug	
7	Not Required	0	Charger with Plug/Cord Reel	
8		Ref	Terminal, Inlet Options:	
8	4460803	1	Charger with ANSI Plug	
8	4460940	1	Charger with Australian Plug	
8	Not Required	0	Charger without Plug	
8	4120046	1	Socket, Cord Reel Stop (Charger with Plug/Cord Reel Only)	
11	0100011	AR	Locking Compound (Not Shown)	
		Ref	Note: Items 12 - 16 used with Charger with Plug/Cord Reel only.	
12	3680056	1	Reel, Charger	
13	0791406	1	Screw 1/4in-20NC x 3/4in	
14	3311001	4	Nut #10-24NC	
15	3311501	1	Nut 5/16in-18NC	
16	3575423	1	Plate	
17	0791506	1	Bolt 5/16in-18NC x 3/4in	
	0273548	Ref	HORN AND BATTERIES INSTALLATION	L
101	0100051	AR	Grease, Battery Terminal (Not Shown)	
102	0140022	1	Horn	
103	0400209	2	Battery	
104	0641404	1	Bolt 1/4in-20NC x 1/2in	
105	0741005	2	Capscrew, Flat Head #10-24NC x 1/2in	
108	2400044	1	Block, Fuse Mounting	
109	2400069	1	Fuse 175Amp	
110	3020038	AR	Grease, Electrical Contact (Not Shown)	
111	3311501	4	Nut 5/16in-18NC	
112	3911016	4	Screw #10-24NC x 1in	
113	4071084	2	Shim	
114	4360514	2	Switch, Proximity	
115	4761500	4	Lockwasher 5/16in	
123	0791003	4	Screw #10-24NC x 3/8in	
124	3380541	1	Shield, Wire	
125	0791406	2	Screw 1/4in-20NC x 3/4in	
126	3575423	2	Plate, Battery Hold-down	
127	2920178	2	Light, Strobe	B
127	7027733	2	Bulb, Replacement (1 Per Assembly)	
128	3820032	2	Rivet	
129	0100011	AR	Locking Compound (Not Shown)	

SECTION 2 - CONTROLS

FIGURE 2-3. BATTERY CHARGER ASSEMBLY



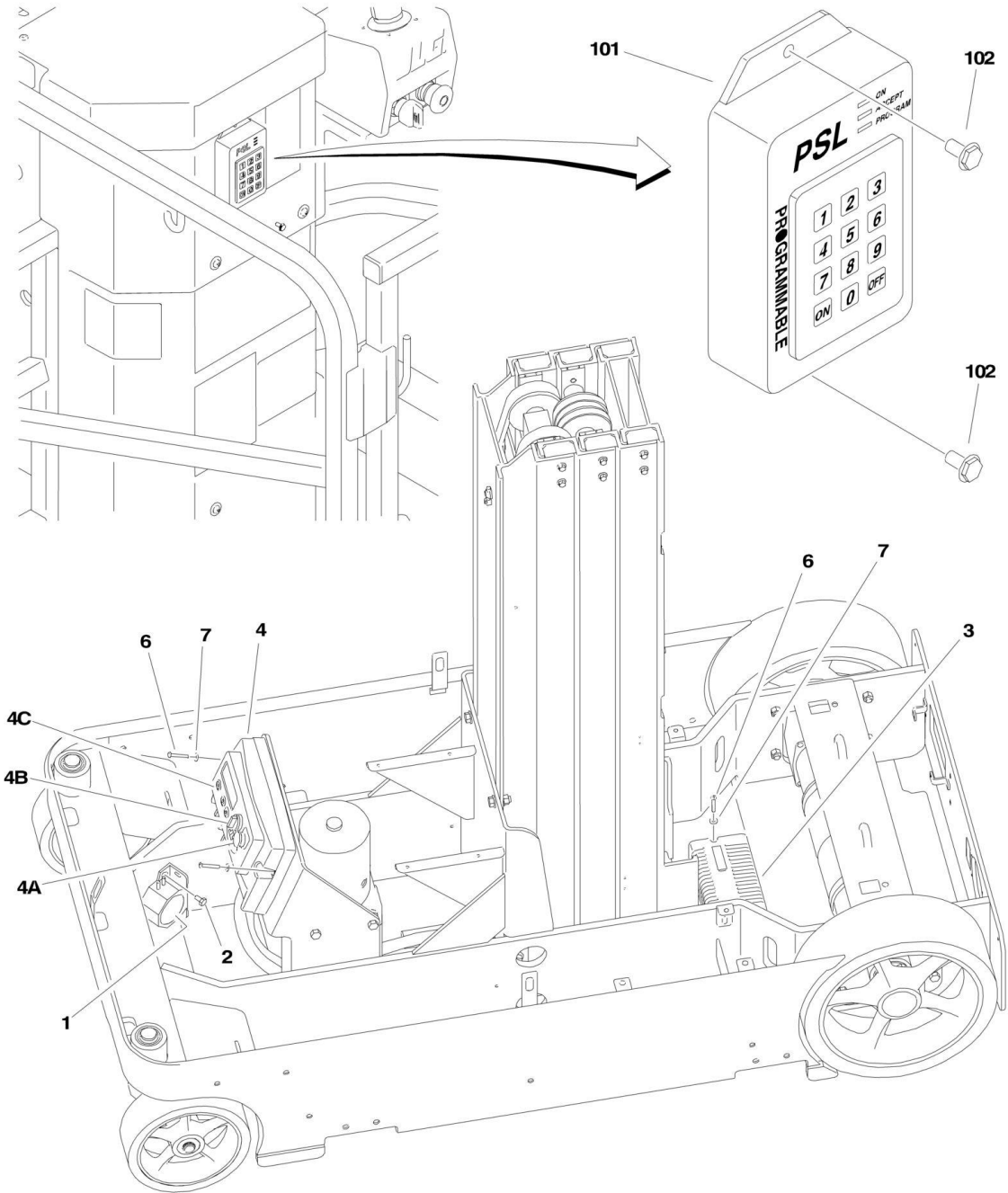
SECTION 2 - CONTROLS

FIGURE 2-3. BATTERY CHARGER ASSEMBLY

ITEM	PART NUMBER	QTY	DESCRIPTION	REV
	0400208	Ref	BATTERY CHARGER ASSEMBLY	C
1	7018577	2	Capacitor	
2	7018514	2	Breaker, Circuit - AC	
3	7011621	1	Connector - 2 Position	
4	7022926	1	Circuit, Control	
4	7022918	1	DC Harness Assembly	
5	7022942	1	Fuse Assembly (Not Shown) (SN 0130004468 to Present)	
6	7018570	1	Fuse 80 Amp	
7	7022919	1	Harness, SCR (Not Shown)	
8	7022920	1	Harness with 4 Position Connector	
9	7022921	1	Cover, Case	
10		Ref	Plug, AC Options:	
10	7020648	1	Plug, AC (Prior to SN 0130004468)	
10	7022943	1	Plug, AC (SN 0130004468 to Present)	
11	7020673	1	Rectifier, SCR	
12	7018564	1	Relay (Black)	
13		Ref	Shunt Assembly Options:	
13	7020651	1	Shunt Assembly (Prior to SN 0130004468)	
13	7020674	1	Shunt Assembly (SN 0130004468 to Present)	
14	7022922	1	Switch, 10 Amp Slide	
15	7018586	1	Switch, 12 Amp Slide	
16	7022923	1	Transformer	
17		Ref	Varistor Assembly Options:	
17	7018537	1	Varistor Assembly (Prior to SN 0130004468)	
17	7018589	1	Varistor Assembly (SN 0130004468 to Present)	
18	7020663	2	Varistor	

SECTION 2 - CONTROLS

FIGURE 2-4. GROUND COMPONENTS INSTALLATIONS



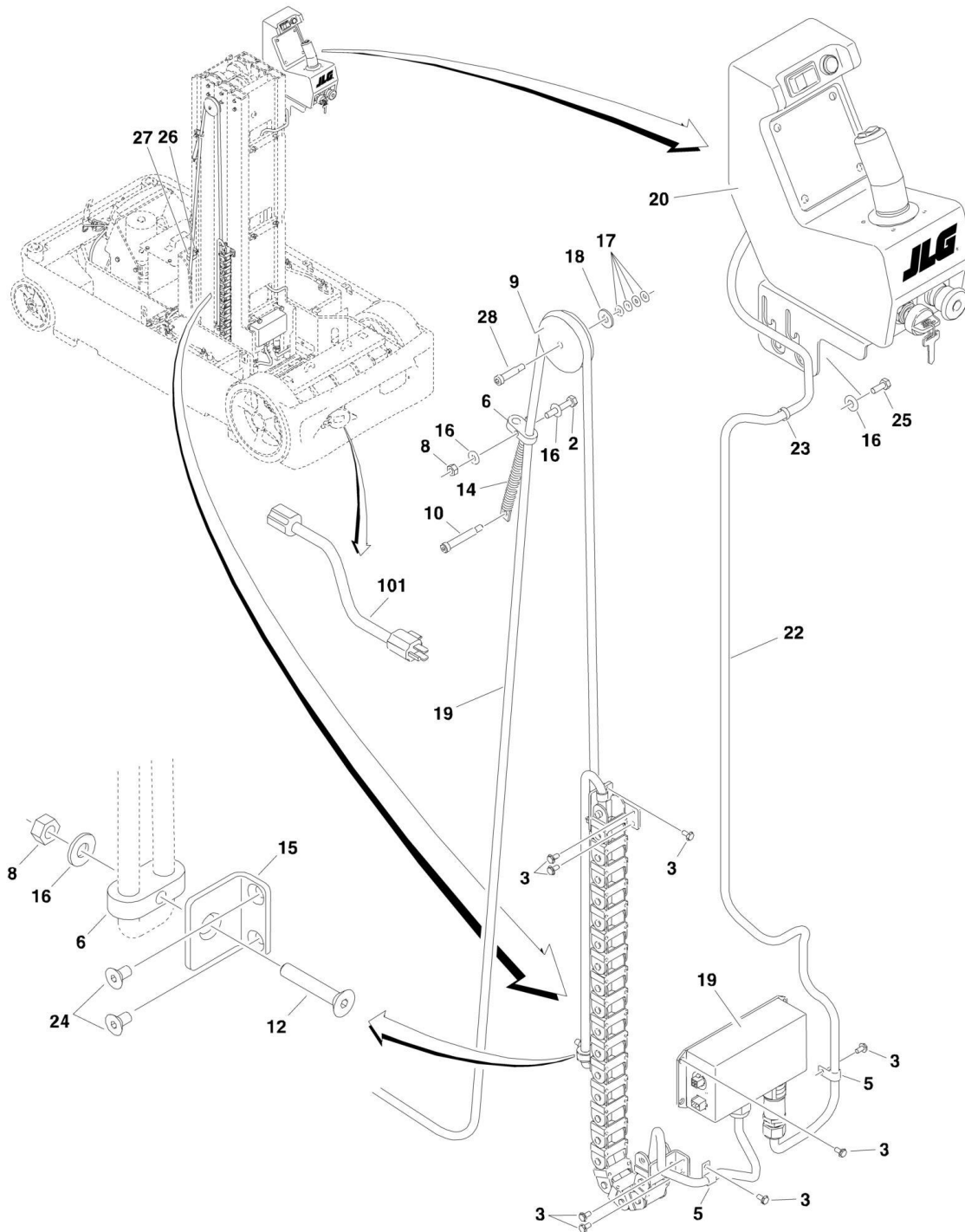
SECTION 2 - CONTROLS

FIGURE 2-4. GROUND COMPONENTS INSTALLATIONS

ITEM	PART NUMBER	QTY	DESCRIPTION	REV
		Ref	GROUND CONTROLS INSTALLATION	
	0273547	Ref	All Specs except Japanese and Chinese Specs	I
	0274515	Ref	Japanese and Chinese Specs Only	B
1	0140033	1	Alarm	
2	0641404	2	Bolt 1/4in-20NC x 1/2in	
3	1600397	1	Module, Traction	
4		Ref	Module, Ground Control Station Options:	
4	1600329	1	All Specs except Japanese and Chinese Specs	
4	1600340	1	Japanese and Chinese Specs Only	
4A	7024428	1	Emergency Stop Switch Assy	
4B	7024430	1	Selector Switch Assy	
4C	7024460	1	Cover Assy	
6	3911020	4	Screw #10-24NC x 1 1/4in	
7	4751000	4	Flatwasher #10	
8	0100011	AR	Locking Compound (Not Shown)	
	0273566	Ref	PROGRAMMABLE SECURITY LOCK INSTALLATION (OPTIONAL)	A
101	0100011	AR	Locking Compound (Not Shown)	
102	0721003	2	Screw #10-24NC x 3/8in	
103	2940161	1	Lock, Electronic	

SECTION 2 - CONTROLS

FIGURE 2-5. PLATFORM CABLES AND CONTROLS INSTALLATION



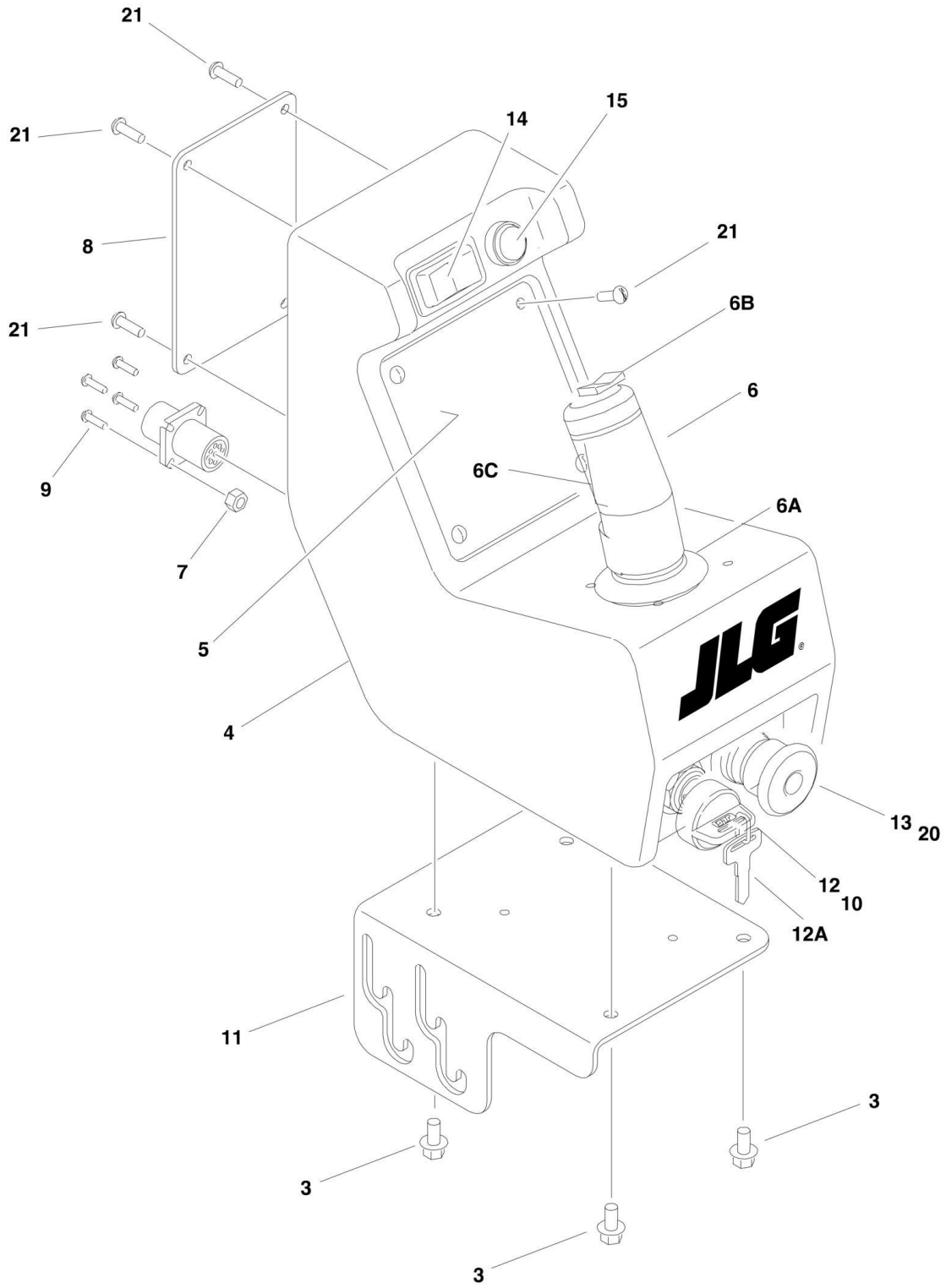
SECTION 2 - CONTROLS

FIGURE 2-5. PLATFORM CABLES AND CONTROLS INSTALLATION

ITEM	PART NUMBER	QTY	DESCRIPTION	REV
	0273551	Ref	PLATFORM CABLES AND CONTROLS INSTALLATION	N
1	0100011	AR	Locking Compound (Not Shown)	
2	0641412	1	Bolt 1/4in-20NC x 1 1/2in	
3	0791003	11	Screw #10-24NC x 3/8in	
5	1320043	3	Clamp, Cable	
6	1320149	2	Clamp, Hose	
7	3020038	AR	Grease, Contact (Not Shown)	
8	3311405	2	Locknut 1/4in-20NC	
9		Ref	Pulley, Control Cable Options:	
9	3580305	1	Pulley, Control Cable (Prior to SN 0130007126)	
9	3580344	1	Pulley, Control Cable (SN 0130007126 to Present)	
10	3900264	1	Screw, Shoulder	
12	0741412	1	Screw, Countersunk 1/4in-20NC x 1 1/2in	
14	4160130	1	Spring, Extension	
15	4340838	1	Support, Cable Mount	
16	4711400	5	Flatwasher 1/4in Narrow	
17	4751000	4	Flatwasher #10 Wide	
18	4751500	1	Flatwasher 5/16in Wide	
19	4923035	1	Harness, Base to Platform (See ELECTRICAL SECTION for Breakdown)	
20		Ref	Platform Control Box Assembly Options (See CONTROL BOX ASSEMBLY for Breakdown):	
20	0861658	1	Platform Control Box Assembly (Prior to SN 0130007617)	
20	1001098194	1	Platform Control Box Assembly (was p/n 0861768) (SN 0130007617 to Present)	
22		Ref	Harness, Platform Controls Options (See ELECTRICAL SECTION for Breakdown):	
22	4923113	1	Harness, Platform Controls (Prior to SN 0130007617)	
22	4923316	1	Harness, Platform Controls (SN 0130007617 to Present)	
23	4240018	3	Tie-Strap	
24	0741003	2	Screw, Countersunk #10-24NC x 3/8in	
25	0641406	2	Bolt 1/4in-20NC x 3/4in	
26	3311605		Locknut, 3/8in-16NC	
27	1321283	1	Clamp	
28		Ref	Screw, Shoulder Options:	
28	3900315	1	Screw, Shoulder (Prior to SN 0130007126)	
28	3900373	1	Screw, Shoulder (SN 0130007126 to Present)	
101	4923174	Ref	EXTENSION CORD 110VOLT - 6FT (OPTIONAL)	A

SECTION 2 - CONTROLS

FIGURE 2-6. CONTROL BOX ASSEMBLY



SECTION 2 - CONTROLS

FIGURE 2-6. CONTROL BOX ASSEMBLY

ITEM	PART NUMBER	QTY	DESCRIPTION	REV
		Ref	CONTROL BOX ASSEMBLY	
	0861658	Ref	Control Box Assembly (Prior to SN 0130007617)	K
	0861768	Ref	Control Box Assembly (SN 0130007617 to Present)	B
1	0100011	AR	Locking Compound (Not Shown)	
3	0791404	4	Screw, Countersunk 1/4in-20NC x 1/2in	
4		Ref	Box, Control Options:	
4	0861657	1	Box, Control (Prior to SN 0130007617)	
4	0861767	1	Box, Control (SN 0130007617 to Present)	
5	1600378	1	Module, Platform Controller	
6	1600454	1	Controller Assembly (Was p/n 1600379)	
6A	70000012	1	Boot, Rubber (Base of Controller p/n 1600379)	
6A	70000682	1	Boot, Rubber (Base of Controller p/n 1600454)	
6A	7027766	1	Ring, Retaining	
6B	70000084	1	Boot, Rubber (Steer Switch) (was p/n 7027764)	
6B		Ref	Microswitch with Harness (Not Shown)	
6B	7027366	1	Controller p/n 1600379	
6B	Not Available		Controller p/n 1600454	
6B	7027365	1	Actuator, Handle	
6C	7027367	1	Switch, Push button	
6C	7027765	1	Lever, Enable	
7	3310601	4	Nut #6-32NC	
8	3380540	1	Panel, Control Box	
9	3910608	4	Screw, Machine #6-32NC x 1/2in	
10	3910804	2	Screw, Machine #8-32NC x 1/4in	
11	4340884	1	Mount, Control Box	
12	4360467	1	Keypad Assembly	
12A	2860030	1 pr	Key, Replacement	
13	4360562	1	Switch, Emergency Stop	
14		Ref	Switch, Rocker Options:	
14	4360561	1	Switch, Rocker (Prior to SN 0130006264)	
14	4360566	1	Switch, Rocker (SN 0130006264 to Present)	
15	4360567	1	Switch, Push Button (Includes Harness)	
16		Ref	Harness, Power Options (Not Shown - See ELECTRICAL SECTION for Breakdown):	
16	4923055	1	Harness, Power (Prior to SN 0130007617)	
16	4923315	1	Harness, Power (SN 0130007617 to Present)	
17	4923106	1	Harness, Drive/Lift Select (Not Shown - See ELECTRICAL SECTION for Breakdown)	
18	4923107	1	Harness, Emergency Stop (Not Shown - See ELECTRICAL SECTION for Breakdown)	
19	4923108	1	Harness, Keypad (Not Shown - See ELECTRICAL SECTION for Breakdown)	
20	1706007	1	Decal - Emergency Stop	
21		Ref	Screw, Machine Options:	
21	3911010	8	Screw, Machine #10-24NC x 5/8 (Prior to SN 0130006321)	
21	0630464	8	Screw, Button #10-24NC x 1/2 (SN 0130006321 to Present)	

SECTION 3 - MAST

SECTION 3 - MAST

FIGURE 3-1. MAST ASSEMBLY AND INSTALLATION

ITEM	PART NUMBER	QTY	DESCRIPTION	REV
	0801394	Ref	MAST ASSEMBLY	D
1	0100011	AR	Locking Compound (Not Shown)	
3	0362735	4	Bar, Sheave Pin Support	
4	0561341	1	Block, Chain Anchor	
5	0721006	1	Screw, Machine #10-24NC x 3/4in	
6	0791003	6	Screw #10-24NC x 3/8in	
7	0811408	31	Screw 1/4in-20NC x 1in	
8	0791812	4	Screw 1/2in-13NC x 1 1/2in	
9	0902047	1	Bracket, Sequence Cable	
10	0902423	1	Bracket, Bottom Chain Attach	
11	0902424	1	Bracket, Bottom Chain Attach	
12	0902431	2	Bracket, Sequence Cable	
13	0902445	1	Bracket, Sequence Cable	
14	0902698	1	Bracket, Sequence Cable	
15	1260375	1	Chain Assy - #446 (See Items 101-110 for Breakdown)	
16	1260376	1	Chain Assy - #444 (See Items 201-211 for Breakdown)	
17	1271567	1	Channel, Mast #1	
18	1271568	1	Channel, Mast #2	
19	1271569	1	Channel, Mast #3	
20	1271577	1	Channel, Header	
21		Ref	Lift Cylinder Assembly Options (See CYLINDER SECTION for Breakdown):	
21	1684348	1	Original Part (Waltco)	
21	1684531	1	Service Replacement (Olson and Olson)	
22	2880310	2	Key	
23	3020041	AR	Lubricant (Not Shown)	
24	3311408	2	Nut, Flanged 1/4in-20NC	
25	3311601	8	Nut 3/8in-16 NC	
26	3340845	12	Pad, Slide Guide	
27	3422717	2	Pin, Sheave	
28	3422750	1	Pin, Chain Equalizer	
29	3422752	1	Pin, Chain Equalizer	
30	3422757	1	Pin, Keeper	
31	3570893	2	Plate, Cylinder Mounting	
32	3580269	2	Sheave, Sequence Cable	
33	3580286	2	Sheave Assembly	
33	0440246	2	Bearing (1 Per Assembly)	
34	3580293	2	Sheave Assembly	
34	0440249	2	Bearing (1 Per Assembly)	
35	3760383	1	Ring, Retaining	
36	3890039	2	Cable, Sequence	
37	3900187	2	Screw, Shoulder	
38	3900192	8	Screw, Countersunk 3/8in-16NC x 1/2in	
39	4070860	AR	Shim, Slide Pad	
40	4070861	AR	Shim, Slide Pad	
41	4070862	AR	Shim, Slide Pad	
42	4070970	AR	Shim, Cylinder Mount	
43	4070971	AR	Shim, Cylinder Mount	
44	4160124	2	Spring	
45	4567491	2	Tube, Spacer	

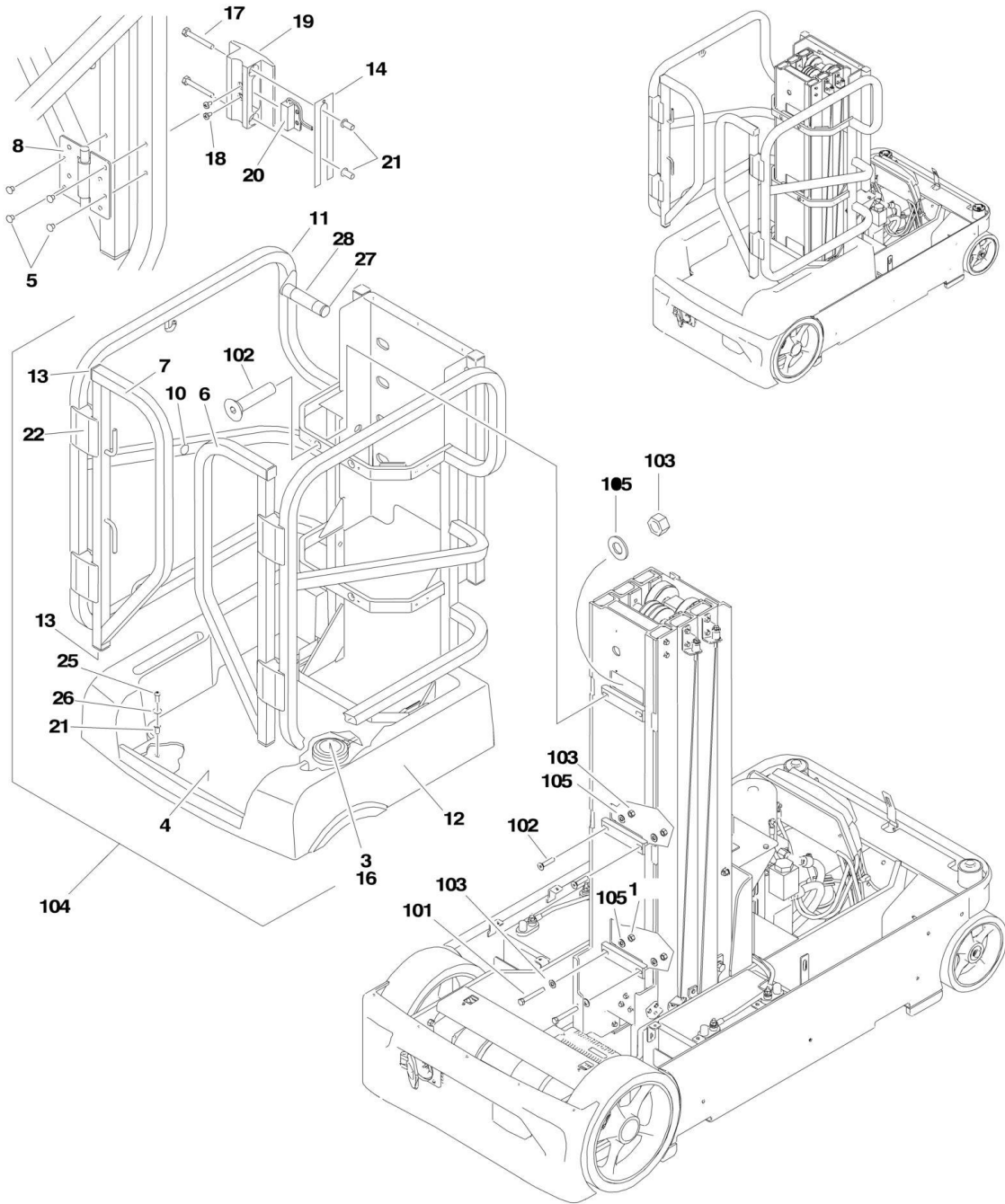
SECTION 3 - MAST

ITEM	PART NUMBER	QTY	DESCRIPTION	REV
46	4567750	1	Tube, Spacer	
47	4567751	1	Tube, Spacer	
48	4740007	2	Washer, Thrust	
49	4740414	4	Washer, Cup	
50	4751000	8	Flatwasher #10 Wide	
51	4751500	2	Flatwasher 5/16in Wide	
52	4569003	3	Tube, Spacer	
	0273417	1	Mast Kit (Includes Items 17-20)	F
	1260375	Ref	CHAIN ASSEMBLY - #446 CHAIN	B
101	0100062	AR	Loctite #RC/640 (Not Shown)	
102	0561153	2	Block, Chain Anchor	
103	0561409	2	Block, Chain Anchor	
104	Purchased Assy	AR	Chain	
105	3422338	2	Pin, Equalizer	
106	3422346	4	Pin, Grooved	
107	3450304	2	Pin, Cotter	
108	3571101	1	Plate, Chain Adjustment	
109	4300111	2	Stud	
110	4751500	2	Flatwasher 5/16in	
	1260376	Ref	CHAIN ASSEMBLY - #444 CHAIN	B
201	0100062	AR	Loctite #RC/640 (Not Shown)	
202	0561149	2	Block, Chain Anchor	
203	0561408	2	Block, Chain Anchor	
204	Purchased Assy	AR	Chain	
205	3422338	2	Pin, Equalizer	
206	3422346	2	Pin, Grooved	
207	3452355	2	Pin, Grooved	
208	3450304	2	Pin, Cotter	
209	3571103	1	Plate, Chain Adjustment	
210	4300111	2	Stud	
211	4751500	2	Flatwasher 5/16in	
	0273545	Ref	MAST INSTALLATION	B
301	0100019	AR	Locking Compound (Not Shown)	
302	0641609	3	Bolt 3/8in-16NC x 1 1/8in	
304	3311601	4	Nut 3/8in-16NC	
305	4711600	8	Flatwasher 3/8in Narrow	
306	0641612	1	Bolt 3/8in-16NC x 1 1/2in (Not Shown)	

SECTION 4 - PLATFORM

SECTION 4 - PLATFORM

FIGURE 4-1. PLATFORM INSTALLATION



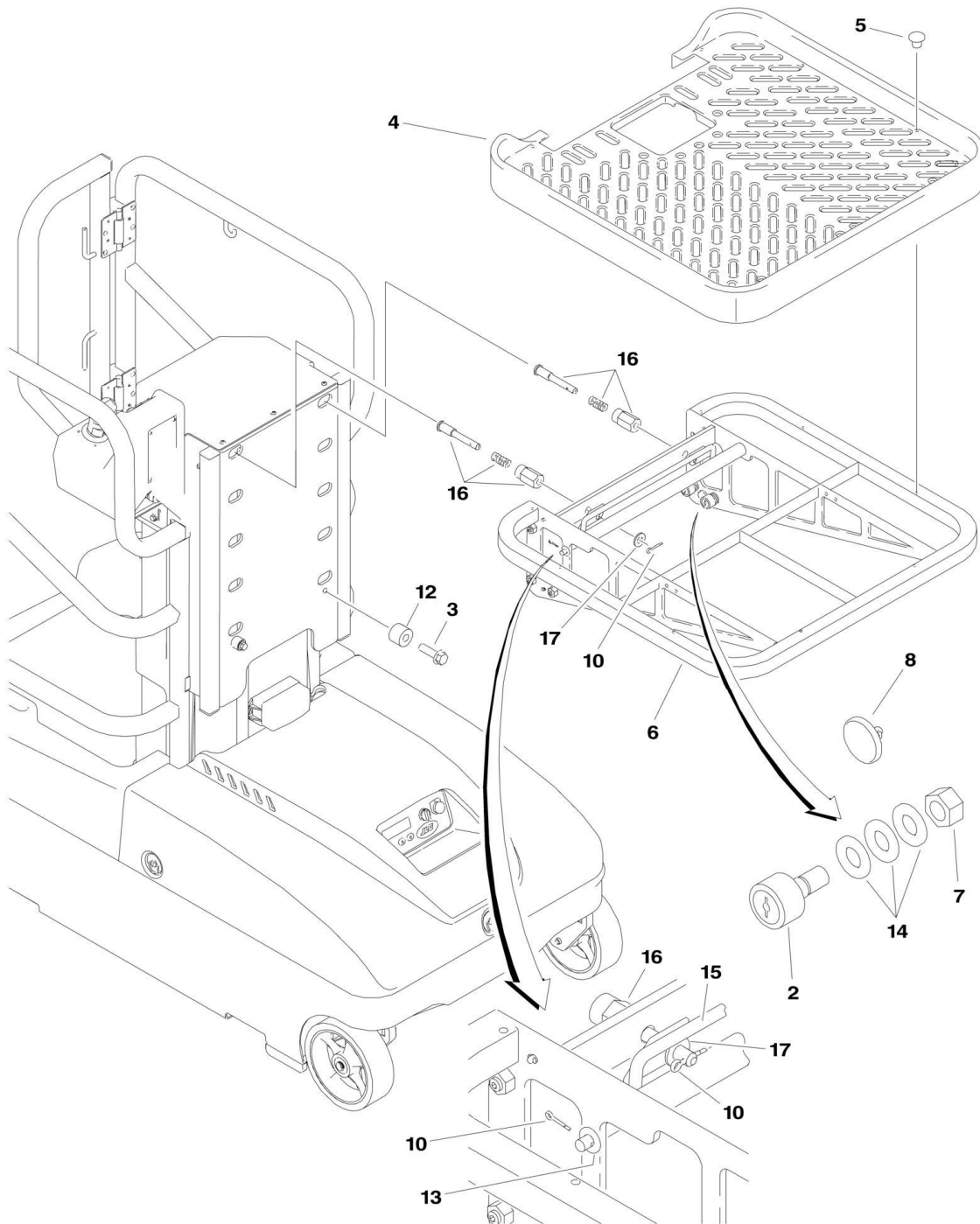
SECTION 4 - PLATFORM

FIGURE 4-1. PLATFORM INSTALLATION

ITEM	PART NUMBER	QTY	DESCRIPTION	REV
	3510865	Ref	PLATFORM ASSEMBLY	G
1	0100011	AR	Locking Compound (Not Shown)	
3	0751006	2	Screw	
4	1671168	1	Floor, Platform	
5	2080040	16	Fastener, Huck	
6	2410012	1	Rail, Door (Right Side)	
7	2410013	1	Rail, Door (Left Side)	
8		Ref	Hinge Options:	
8	2600294	4	Hinge (Was p/n 2600281) (Prior to SN 0130006748)	
8	2600294	4	Hinge (SN 0130006748 to Present)	
10	3340962	2	Pad	
11	3510860	1	Rail, Platform	
12	3510862	1	Pan, Molded Platform	
13	3520072	8	Cap-Plug	
14	4071095	AR	Shim	
16	4360572	1	Footswitch	
17	0641416	8	Bolt 1/4in-20NC x 2in	
18	0751003	4	Screw	
19	4220309	2	Stop, Gate (was p/n 4220233)	
20	4360573	2	Switch, Proximity	
21	2080043	13	Rivnut	
22	4220309	2	Stop, Gate (was p/n 4220234)	
23	8882320	AR	Sealant, Seam (Not Shown)	
25	3900258	5	Screw, Button Head 1/4in-20NC x 3/4in	
26	4711400	5	Flatwasher 1/4in Narrow	
27	1120582	1	Plug	
28	1120583	1	Grip, Foam	
	0274055	Ref	PLATFORM INSTALLATION	C
101	0641622	2	Bolt 3/8in-16NC x 2 3/4in	
102	0741614	4	Screw, Flat Head 3/8in-16NC x 1 3/4in	
103	3311605	6	Locknut 3/8in-16NC	
104	3510865	1	Platform Assembly (Includes Items 1-26)	
105	4711600	8	Flatwasher 3/8in Narrow	

SECTION 4 - PLATFORM

FIGURE 4-2. MATERIAL TRAY INSTALLATION



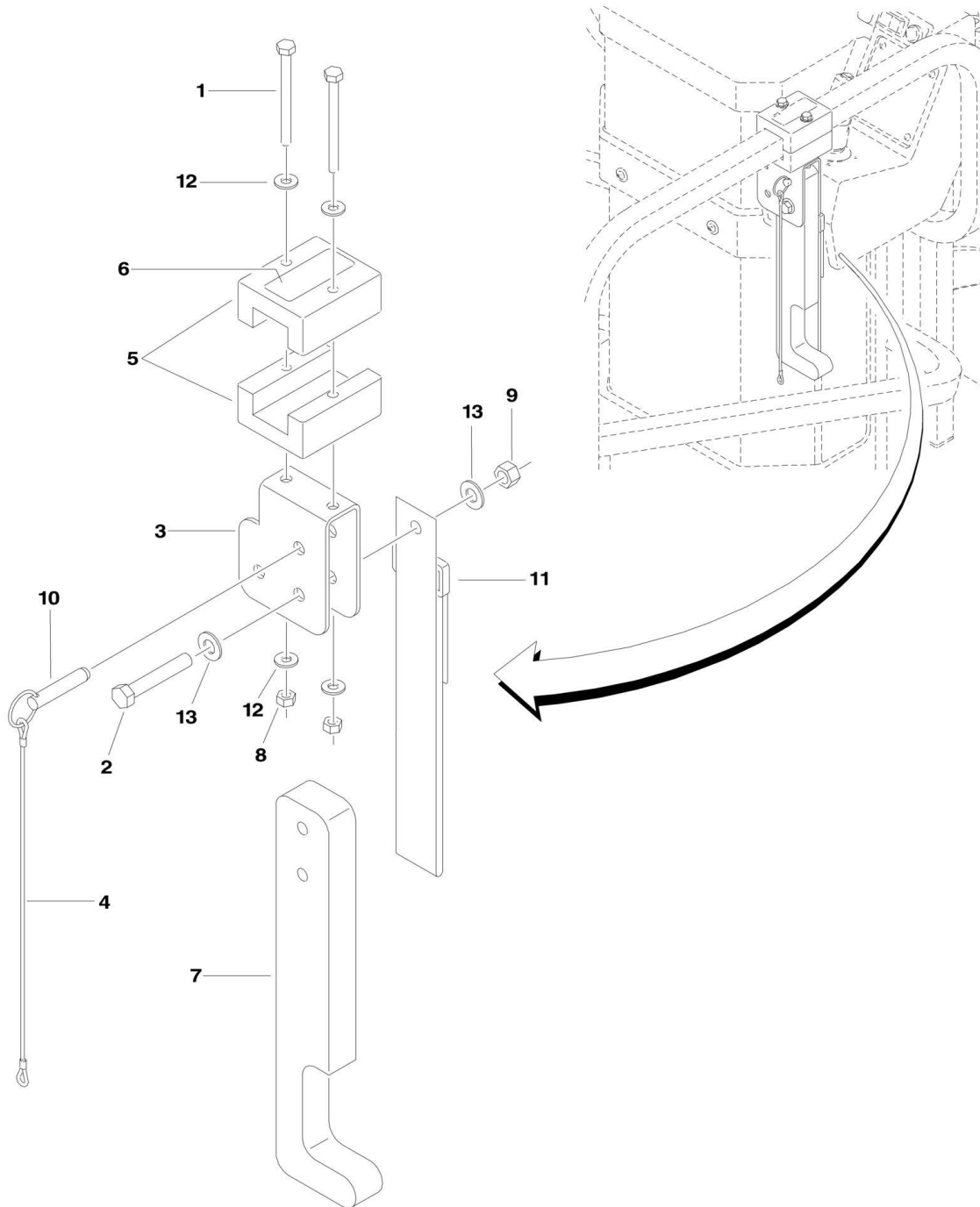
SECTION 4 - PLATFORM

FIGURE 4-2. MATERIAL TRAY INSTALLATION

ITEM	PART NUMBER	QTY	DESCRIPTION	REV
	0274011	Ref	MATERIAL TRAY INSTALLATION	F
1	0100011	AR	Locking Compound (Not Shown)	
2	0440287	6	Bearing	
3	0811610	2	Screw 3/8in-16NC x 1 1/4in	
4	1580027	1	Tray	
5	2080040	8	Fastener, Huck	
6	2360684	1	Frame	
7	3321701	6	Nut 7/16in-20NF	
8	3340962	4	Pad	
10	3450302	4	Pin, Cotter	
12	4220222	2	Stop	
13	4711600	2	Flatwasher 3/8in Narrow	
14	4711700	18	Flatwasher 7/16in Narrow	
15	2940165	1	Latch, Material Tray	
16	1001097488	2	Pin, Plunger (was p/n 3423171)	
17		Ref	Flatwasher Options:	
17	4711500	2	Flatwasher 5/16in Narrow (Prior to SN 0130006355)	
17	4740476	2	Thrust Washer (SN 0130006355 to Present)	
19	0100019	AR	Locking Compound (Not Shown)	

SECTION 4 - PLATFORM

FIGURE 4-3. OPTIONAL BICYCLE CARRIERS INSTALLATION



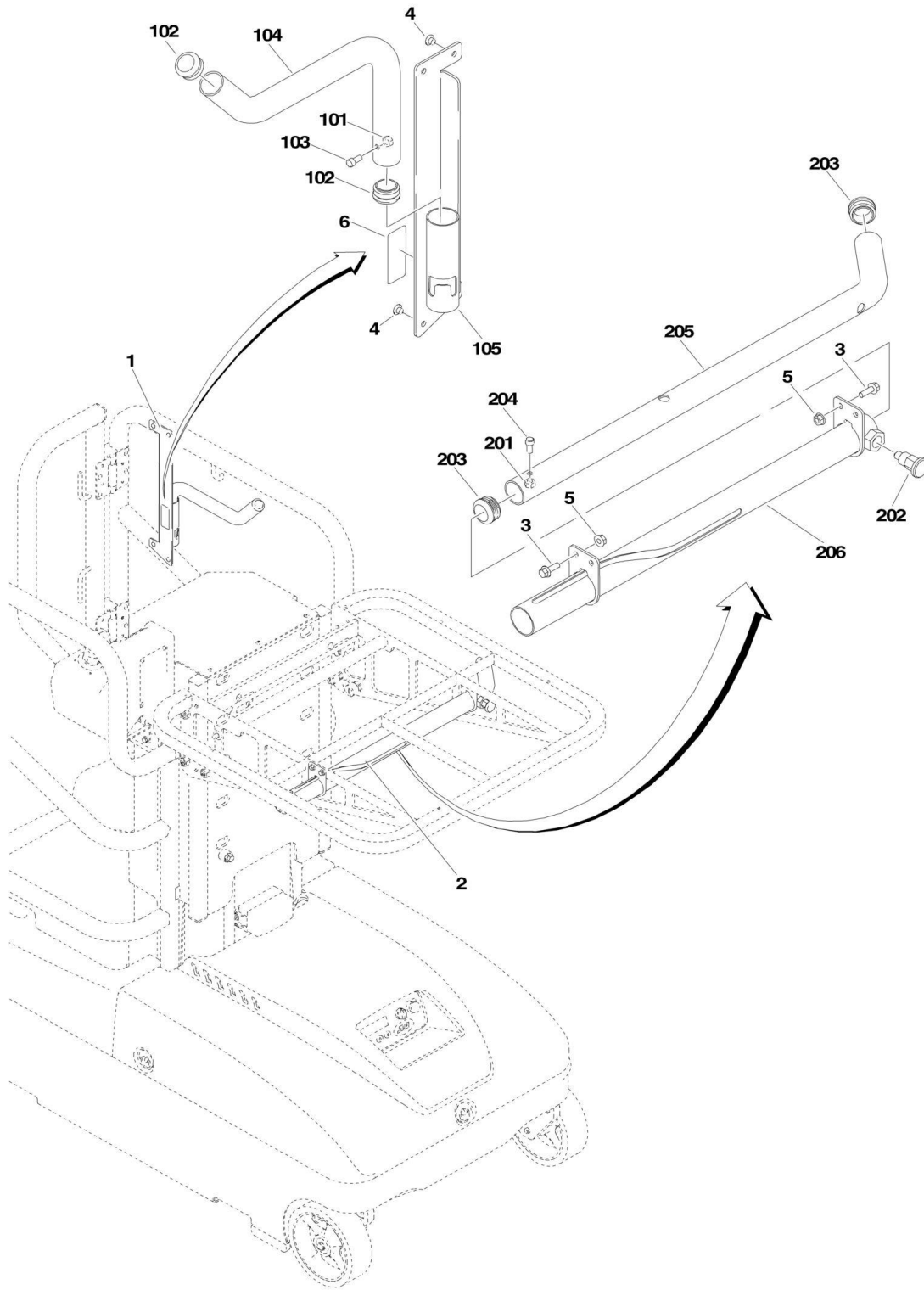
SECTION 4 - PLATFORM

FIGURE 4-3. OPTIONAL BICYCLE CARRIERS INSTALLATION

ITEM	PART NUMBER	QTY	DESCRIPTION	REV
		Ref	BICYCLE CARRIER INSTALLATION	
	0273570	Ref	Carrier on One Side Only	B
	0273571	Ref	Carrier on Both Sides	B
		Ref	Note: Qty Shown is for One Side Only. Double for Both Sides.	
1	0641424	2	Bolt 1/4in-20NC x 3	
2	0641618	1	Bolt 3/8in-16NC x 2 1/4in	
3	0902895	1	Bracket, Hanger	
4	1060799	1	Lanyard	
5	1320316	1	Clamp, Block	
6	1706134	1	Decal - Maximum Capacity	
7	2660121	1	Arm	
8	3311405	2	Locknut 1/4in-20NC	
9	3311605	1	Locknut 3/8in-16NC	
10	3420198	1	Pin, Quick Release	
11	4240163	1	Strap	
12	4711400	4	Flatwasher 1/4in Narrow	
13	4711600	2	Flatwasher 3/8in	

SECTION 4 - PLATFORM

FIGURE 4-4. OPTIONAL RUG CARRIER INSTALLATION



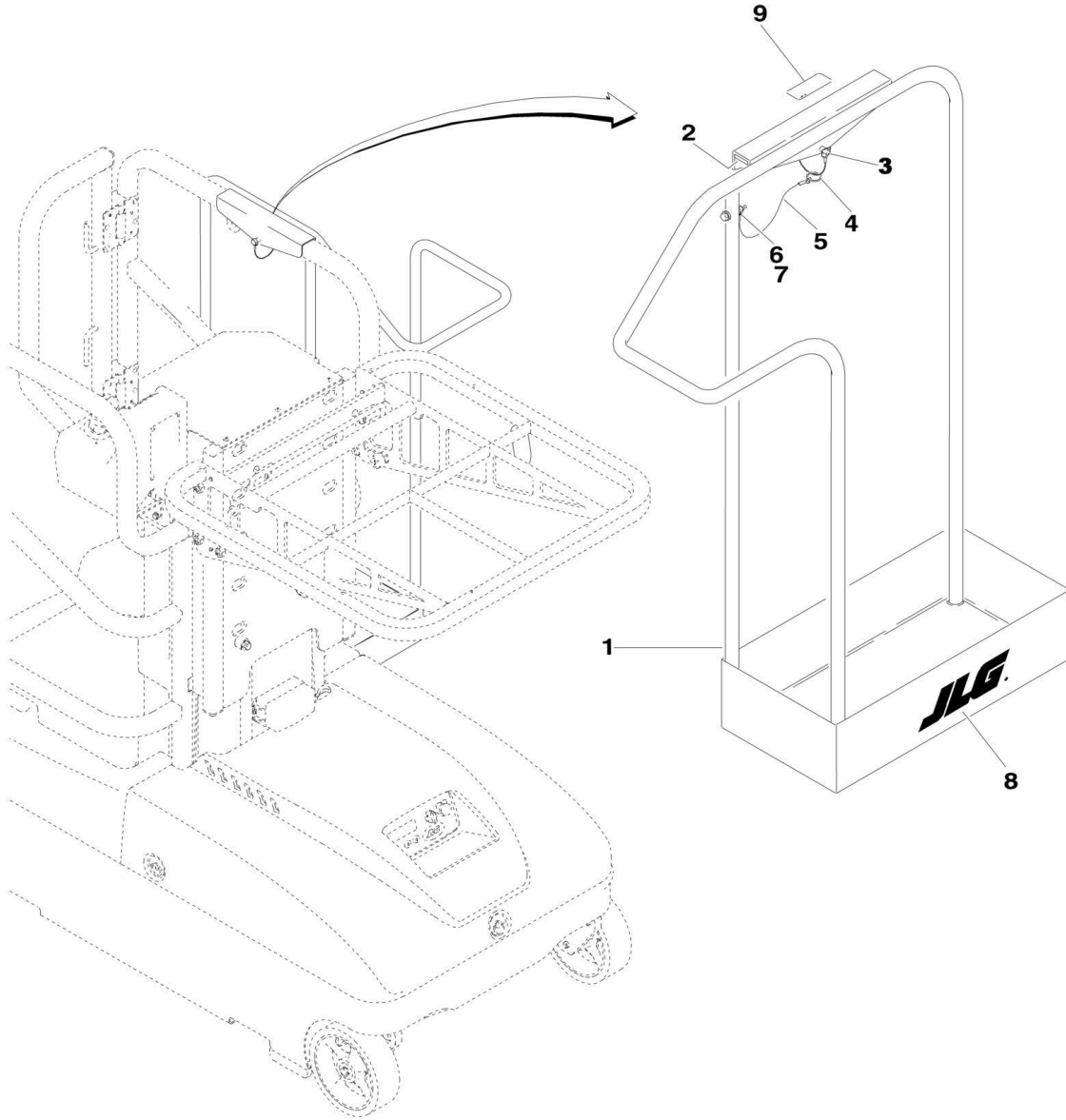
SECTION 4 - PLATFORM

FIGURE 4-4. OPTIONAL RUG CARRIER INSTALLATION

ITEM	PART NUMBER	QTY	DESCRIPTION	REV
	0240107	Ref	RUG CARRIER INSTALLATION	B
1	0240108	1	Accessory, Rug Carrier (Rear) (See Items 101 - 105 for Breakdown)	
2	0240109	1	Accessory, Rug Carrier (Front) (See Items 201 - 206 for Breakdown)	
3	0791406	4	Bolt 1/4in-20NC x 3/4in	
4	2080040	4	Fastener, Huck	
5	3311408	4	Nut 1/4in-20NC	
6	1706134	1	Decal - Capacity	
	0240108	Ref	ACCESSORY RUG CARRIER (REAR)	A
101	3311405	1	Locknut 1/4in-20NC	
102	3520176	2	Plug	
103	3931408	1	Screw 1/4in-20NC x 1/2in	
104	4568208	1	Tube	
105	4630009	1	Carrier Pivot	
	0240109	Ref	ACCESSORY RUG CARRIER (FRONT)	A
201	3311405	1	Locknut 1/4in-20NC	
202	3422744	1	Pin, Plunger	
203	3520176	2	Plug	
204	3931408	1	Screw 1/4in-20NC x 1/2in	
205	4569158	1	Tube	
206	4630010	1	Carrier Pivot	

SECTION 4 - PLATFORM

FIGURE 4-5. OPTIONAL FLUORESCENT TUBE CADDY ASSEMBLY



SECTION 4 - PLATFORM

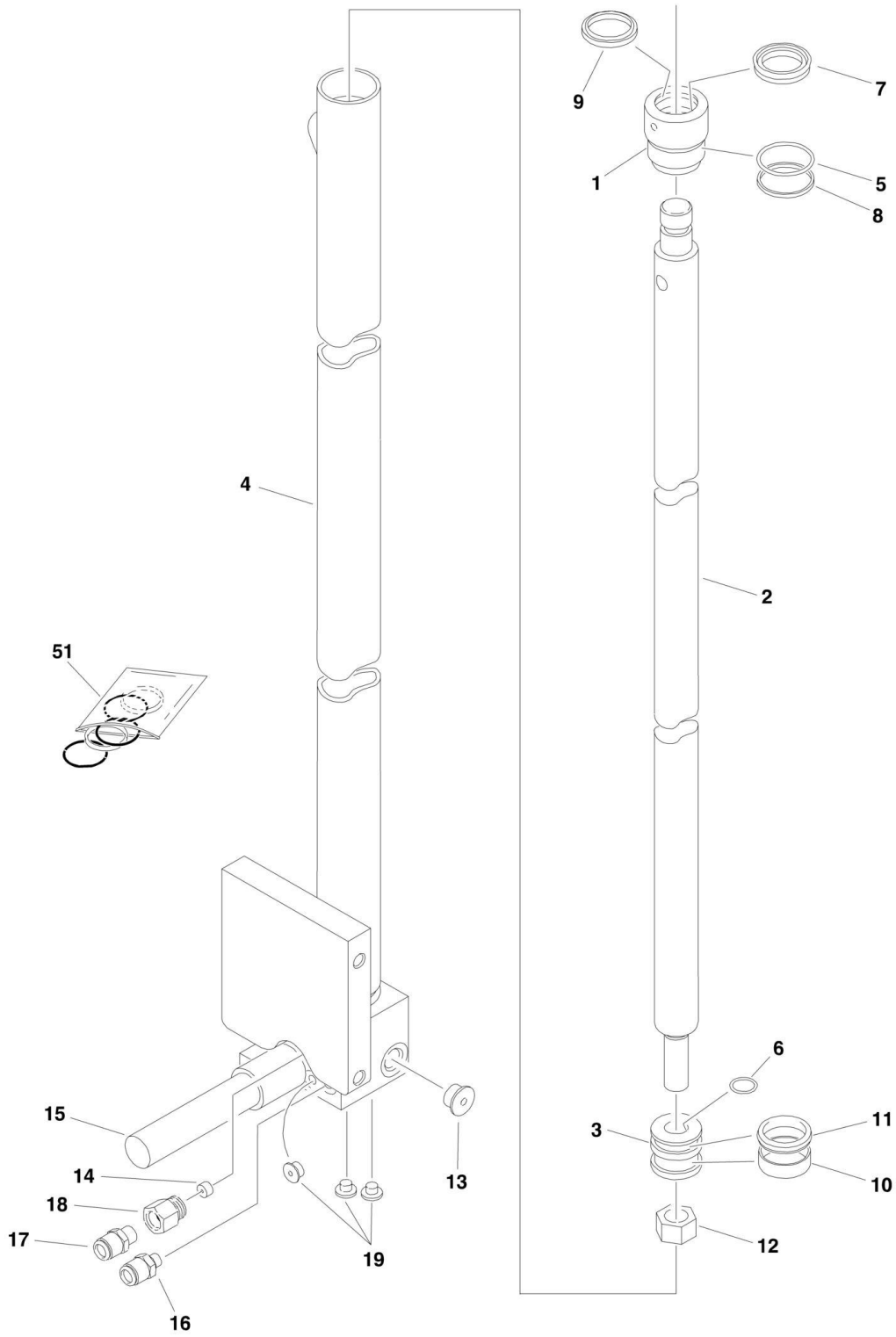
FIGURE 4-5. OPTIONAL FLUORESCENT TUBE CADDY ASSEMBLY

ITEM	PART NUMBER	QTY	DESCRIPTION	REV
	0255040	Ref	FLUORESCENT TUBE CADDY ASSEMBLY	B
1	4844840	1	Weldment, Fluorescent Tube Caddy	
2	4280296	2 ft/0.7m	Strip, Wear	
3	3421453	1	Pin, Snapper	
4	3760170	1	Ring, Split	
5	1060380	1	Cable, Lanyard	
6	0641410	1	Bolt 1/4in-20NC x 1 1/4in	
7	3311405	1	Locknut 1/4in-20NC	
8	1702365	1	Decal - JLG	
9	1706326	1	Decal - Max Capacity (15lb./7kg)	

SECTION 5 - CYLINDER

SECTION 5 - CYLINDER

FIGURE 5-1. LIFT CYLINDER ASSEMBLY



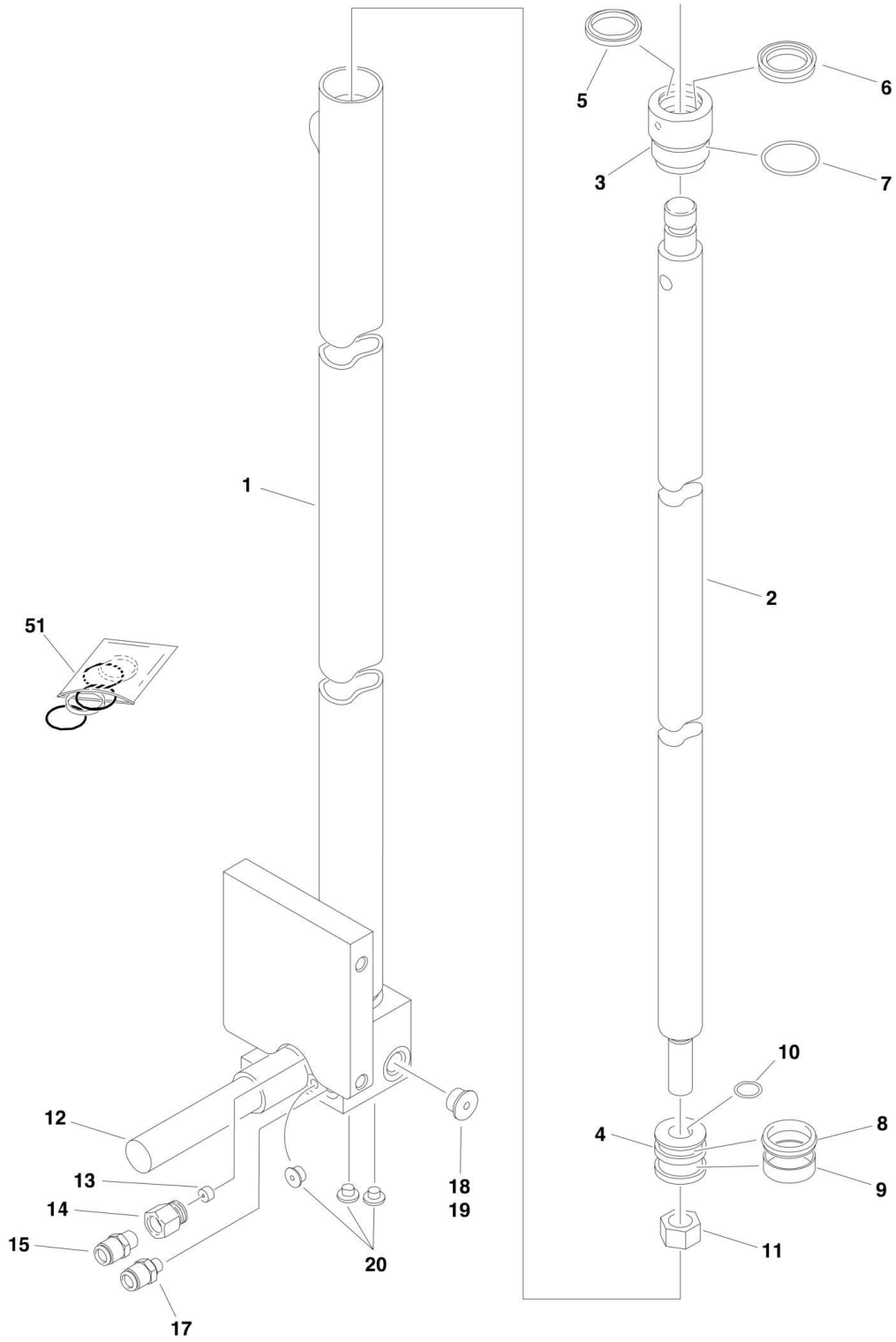
SECTION 5 - CYLINDER

FIGURE 5-1. LIFT CYLINDER ASSEMBLY

ITEM	PART NUMBER	QTY	DESCRIPTION	REV
	1684348	NLA	LIFT CYLINDER ASSEMBLY - WALTCO (no longer available; order 1684531 for service replacement)	H
1	7027847	1	Head	
2	7027848	1	Rod	
3	7027849	1	Piston	
4	7027850	1	Barrel	
5	Item 51	1	O-Ring	
6	Item 51	1	O-Ring	
7	Item 51	1	Seal, Rod	
8	Item 51	1	Ring, Back-Up	
9	Item 51	1	Wiper, Rod	
10	Item 51	1	Ring, Wear	
11	Item 51	1	Seal, Piston	
12	7027340	1	Nut	
13	2220886	1	Plug	
13	7027851	1	Valve, Flow Control	
14	7027852	1	Valve, Check	
15	7027853	1	Valve, Manual Descent	
15	Not Available	1	Coil	
16	2221172	1	Fitting	
17	2221173	1	Fitting	
18	2220591	1	Fitting, Reducer	
19	2220883	3	Plug	
51	7027855	1	Seal Kit (includes items 5-11)	

SECTION 5 - CYLINDER

FIGURE 5-2. LIFT CYLINDER ASSEMBLY



SECTION 5 - CYLINDER

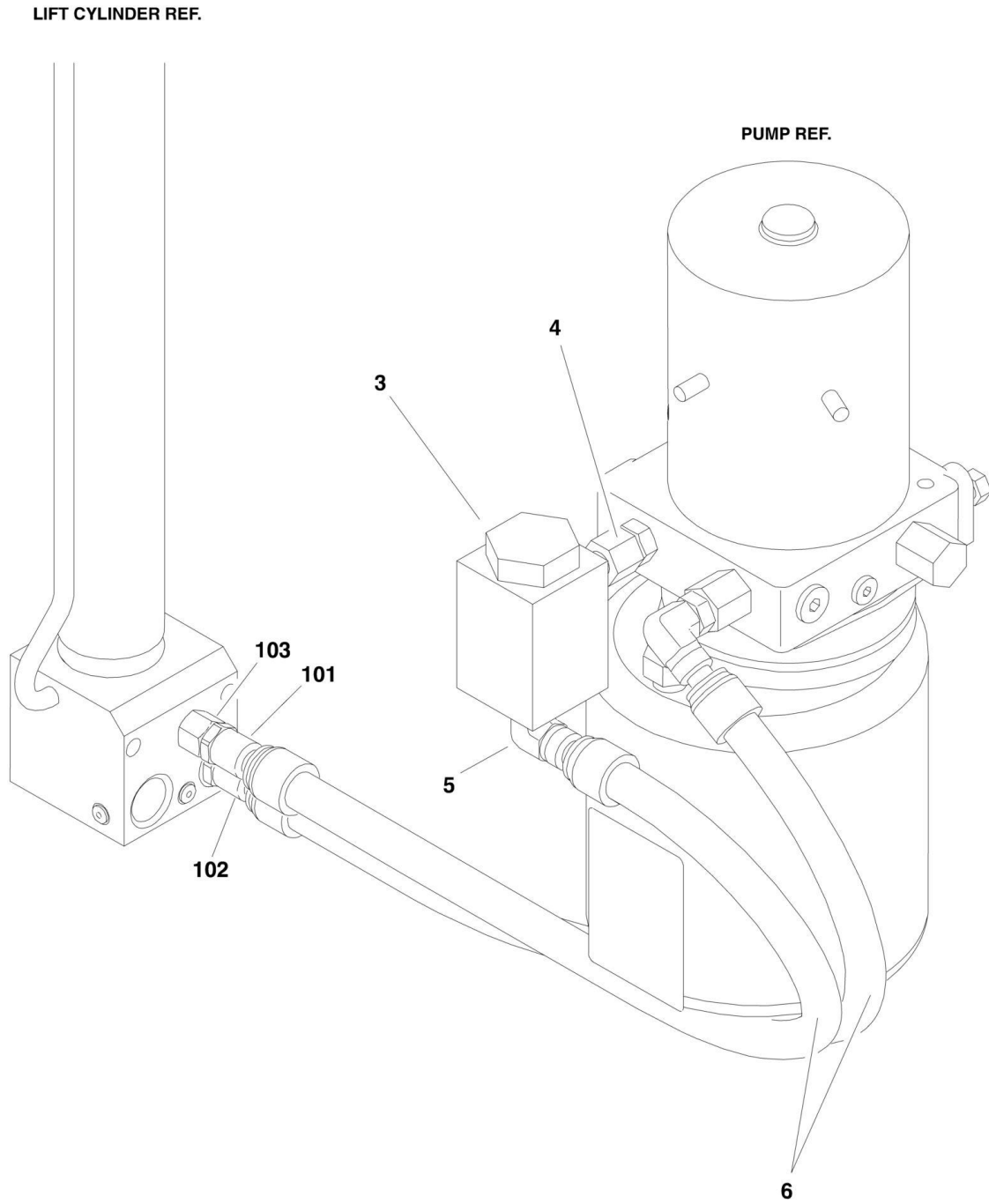
FIGURE 5-2. LIFT CYLINDER ASSEMBLY

ITEM	PART NUMBER	QTY	DESCRIPTION	REV
	1684531	Ref	LIFT CYLINDER ASSEMBLY - OLSON AND OLSON (Service Replacement)	A
1	70000991	1	Barrel	
2	70000992	1	Rod	
3	70000993	1	Head	
4	7023392	1	Piston	
5	Item 51	1	Wiper, Rod	
6	Item 51	1	Seal, Rod	
7	Item 51	1	O-Ring	
8	Item 51	1	Seal, Piston	
9	Item 51	1	Ring, Wear	
10	Item 51	1	O-Ring	
11	7023391	1	Nut	
12	70000994	1	Valve, Manual Descent	
12	70000025	1	Cartridge	
12	7026624	1	Override, Manual	
12	70001113	1	Coil	
12	7026623	1	Kit Seal	
13	70000218	1	Valve, Check	
14	2220591	1	Fitting, Reducer	
15	2221173	1	Fitting	
17	2221172	1	Fitting	
18	70000995	1	Valve, Flow Control	
19	Not Available	1	Plug	
20	Not Available	3	Plug	
51	7023395	1	Seal Kit (Includes Items 5-10)	

SECTION 6 - HYDRAULIC

SECTION 6 - HYDRAULIC

FIGURE 6-1. HYDRAULIC DIAGRAM



SECTION 6 - HYDRAULIC

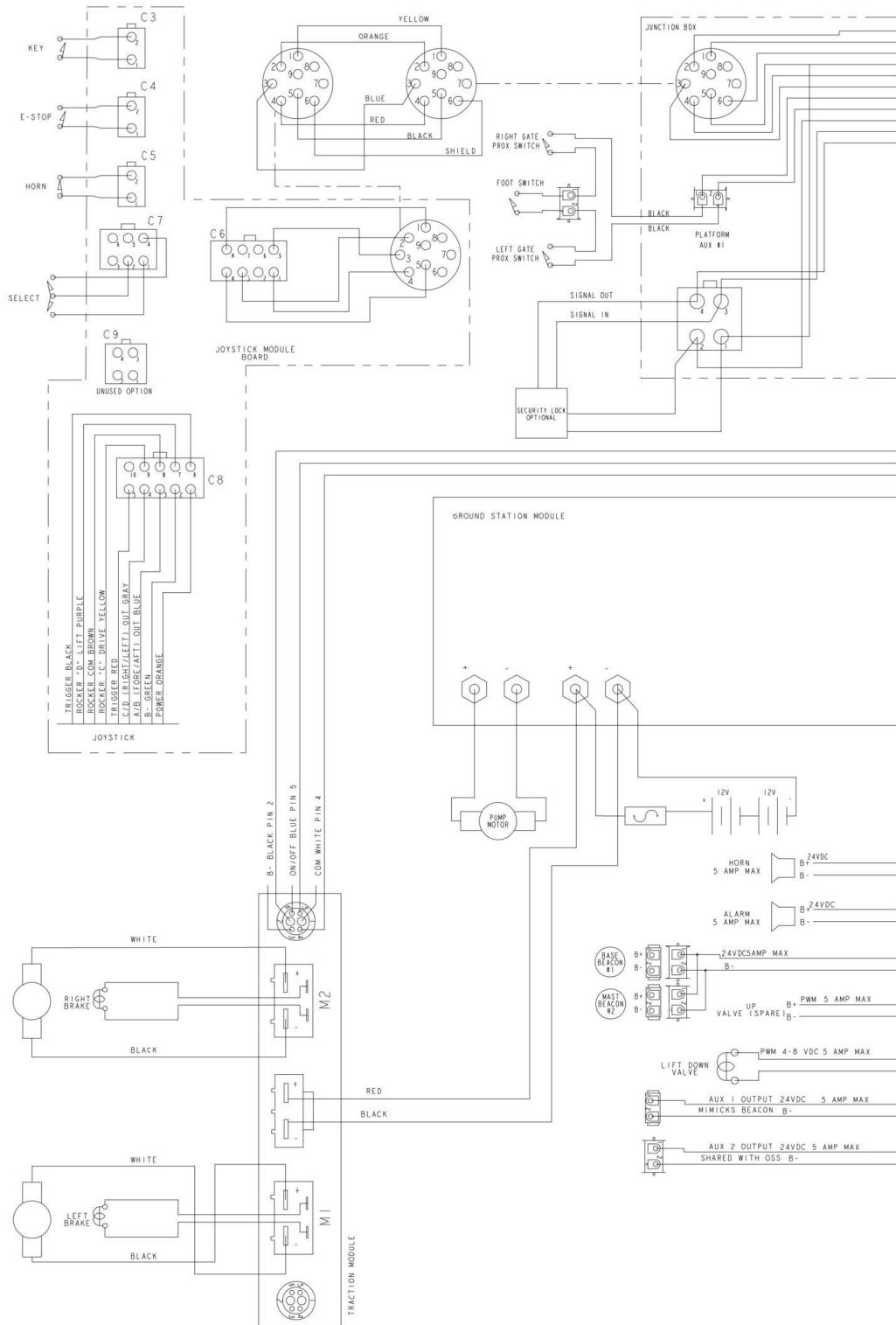
FIGURE 6-1. HYDRAULIC DIAGRAM

ITEM	PART NUMBER	QTY	DESCRIPTION	REV
		Ref	HYDRAULIC SYSTEM INSTALLATION	
	0273546	Ref	Standard Hydraulic Oil	E
	0274181	Ref	Fire Resistant Hydraulic Oil	A
3	2120183	1	Filter, In-Line	
4	2221123	1	Fitting, Straight	
5	2221185	1	Fitting, 90	
6	2754025	2	Hose	
	1684348	Ref	CYLINDER FITTINGS	E
101	2221173	1	Fitting, Straight	
102	2221172	1	Fitting, Straight	
		Ref	TOOLS	
	7027247	1	Tool, Perma-Push Insert Disconnect (Not Shown)	

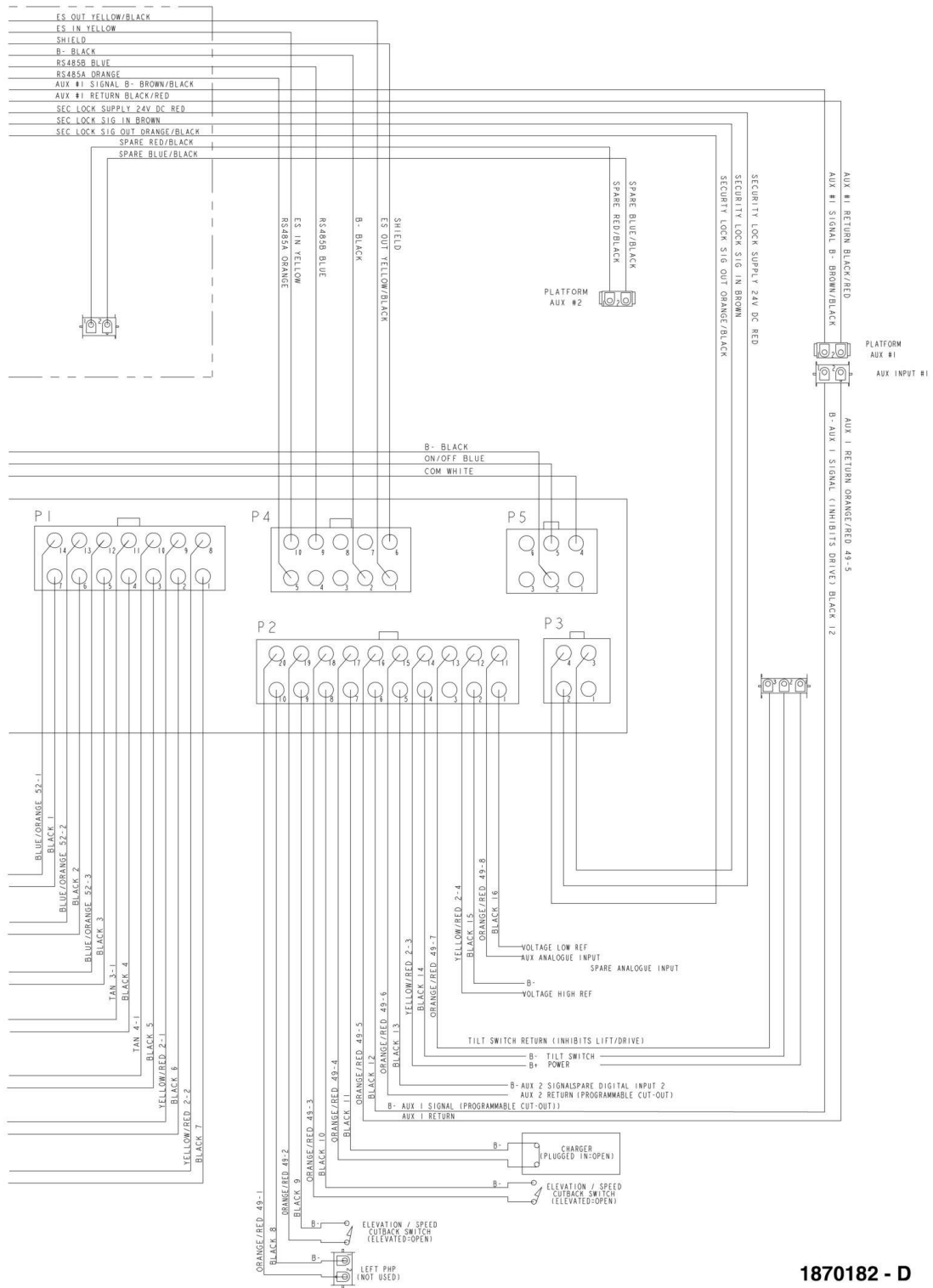
SECTION 7 - ELECTRICAL

SECTION 7 - ELECTRICAL

FIGURE 7-1. ELECTRICAL SCHEMATIC



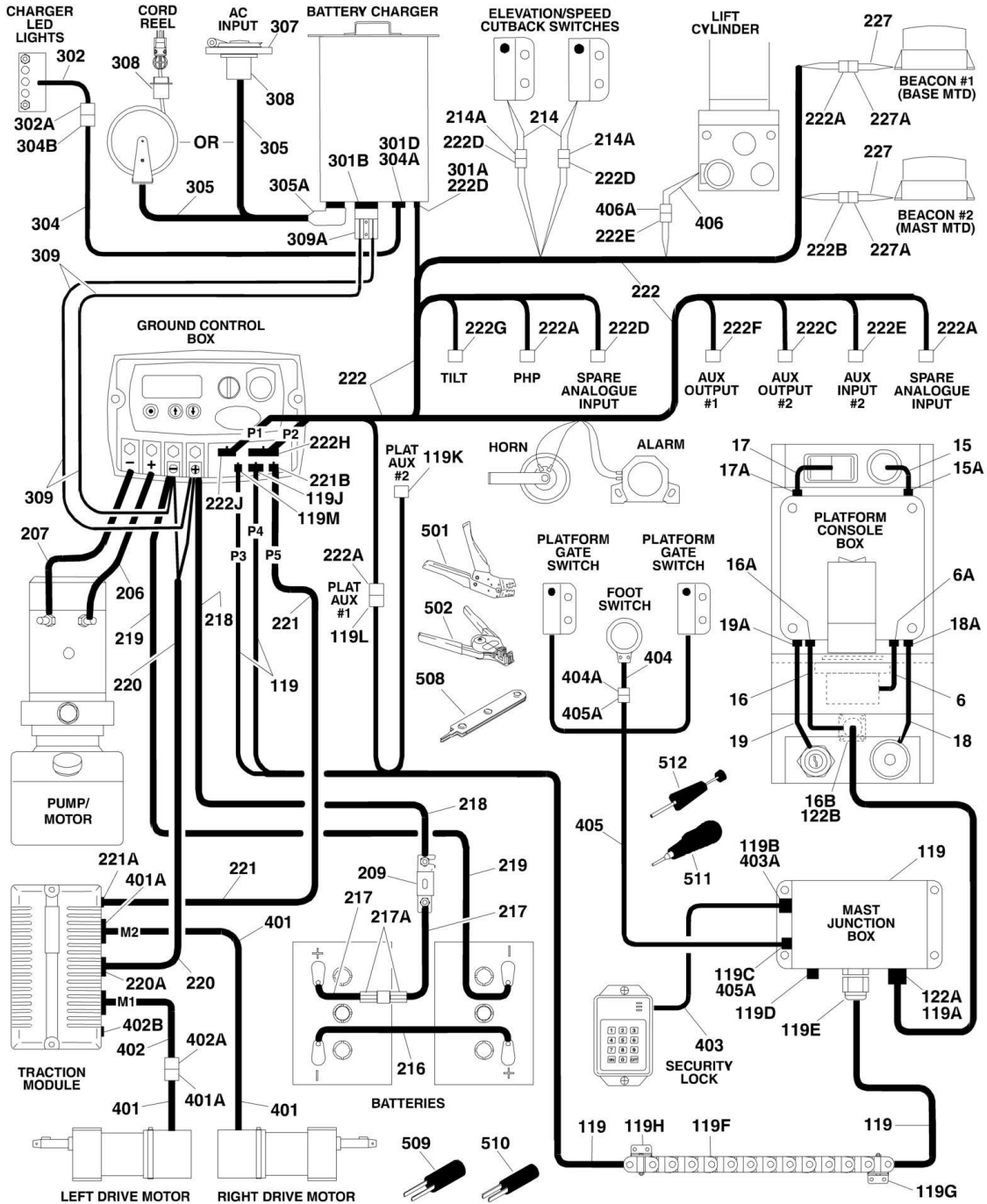
SECTION 7 - ELECTRICAL



1870182 - D

SECTION 7 - ELECTRICAL

FIGURE 7-2. ELECTRICAL COMPONENTS INSTALLATION



SECTION 7 - ELECTRICAL

FIGURE 7-2. ELECTRICAL COMPONENTS INSTALLATION

ITEM	PART NUMBER	QTY	DESCRIPTION	REV
		Ref	PLATFORM CONTROL BOX COMPONENTS	
	0861658	Ref	Platform Control Box Components (Prior to SN 0130007617)	K
	0861768	Ref	Platform Control Box Components (SN 0130007617 to Present)	B
6	Not Available	1	Controller Harness	B
6A	7024300	1	Plug, Male - 10 Position	
6A	4461023	9	Socket, Female	
15	4360567	1	Horn Harness	B
15A	Not Available	1	Plug, Male - 2 Position (Molex MiniFit Jr. P/N 39-01-3022)	
15A	4461023	2	Socket, Female	
16		Ref	Power Harness Options:	
16	4923055	1	Power Harness (Prior to SN 0130007617)	C
16	4923315	1	Power Harness (SN 0130007617 to Present)	A
16A	4461041	1	Plug, Male - 8 Position	
16A	4461023	6	Socket, Female	
16B	70001798	1	Connector, Female - 9 Position	
16B	70001799	6	Pin, Male	
17	4923106	1	Drive/Lift Select Harness	B
17A	250200	1	Plug, Male - 6 Position	
17A	4461023	3	Socket, Female	
18	4923107	1	Emergency Stop Harness	A
18A	Not Available	1	Plug, Male - 2 Position (Molex MiniFit Jr. P/N 39-01-3022)	
18A	4461023	2	Socket, Female	
19	4923108	1	Keypad Harness	A
19A	Not Available	1	Plug, Male - 2 Position (Molex MiniFit Jr. P/N 39-01-3022)	
19A	4461023	2	Socket, Female	
	0273551		CABLES AND CONTROLS INSTALLATION	N
107	3020038		Grease, Contact (Not Shown)	
119	4923035	1	Mast Harness	F
119	1060927	15.5 ft/4.7m	Cable, Electrical - 18/12	
119A	7023498	1	Connector, Female - 9 Position	
119A	70001705	6	Pin, Male	
119B	70000344	1	Connector, Female - 4 Position	
119B	4461025	4	Pin, Male	
119C	4460424	1	Connector, Female - 2 Position	
119C	4460226	2	Socket, Female	
119D	4460424	1	Connector, Female - 2 Position	
119D	4460267	2	Pin, Male	
119E	4460663	1	Connector, Strain Relief	
119F	1180392	1	Carrier, Power Track	
119F	7027734	AR	Link, Repair	
119G	7027736	1	Foot, Mounting (End #1 - Closest to Junction Box)	
119H	7027735	1	Foot, Mounting (End #2 - Furthest From Junction Box)	
119J	7024300	1	Plug, Male - 10 Position	
119J	4461023	7	Socket, Female	
119K	4460320	1	Plug, Male - 2 Position	
119K	4460226	2	Socket, Female	
119L	4460320	1	Plug, Male - 2 Position	
119L	4460267	2	Pin, Male	

SECTION 7 - ELECTRICAL

ITEM	PART NUMBER	QTY	DESCRIPTION	REV
119M	250199	1	Plug, Male - 4 Position	
119M	4461023	2	Socket, Female	
122		Ref	Platform Control Harness	
122	4923113	1	Platform Control Harness (Prior to SN 0130007617)	
122	4923316	1	Platform Control Harness (SN 0130007617 to Present)	
122A	70001703	1	Plug, Male - 9 Position	
122A	70001707	1	Backshell	
122A	70001705	6	Socket, Female	
122B		Ref	Component Options:	
122B		Ref	Component (Prior to SN 0130007617)	
122B	70001703	1	Plug, Male - 9 Position	
122B	70001704	1	Backshell	
122B	70001705	6	Socket, Female	
122B		Ref	Component (SN 0130007617 to Present)	
122B	70001706	1	Plug, Male - 9 Position	
122B	70001707	1	Backshell	
122B	70001708	6	Socket, Female	
	0273548	Ref	ELECTRICAL SYSTEM INSTALLATION	L
201	0100051	AR	Grease, Terminal (Not Shown)	
206	1060943	1	Cable, Electrical (Ground Control + to Pump +)	
207	1060944	1	Cable, Electrical (Ground Control - to Pump -)	
209	2400069	1	Fuse 175 Amp	
210	3020038	AR	Grease, Contact (Not Shown)	
214	4360514	2	Proximity Harness (Includes Switch)	A
214A	4460424	1	Receptacle, Female - 2 Position	
214A	4460227	2	Pin, Male	
216	4923021	1	Cable, Battery (B+ to B-)	B
216	Not Available	1	Boot, Red	
216	Not Available	1	Boot, Red	
217	4923022	1	Cable, Battery (B+ to Fuse)	B
217	Not Available	2	Boot, Red	
217A	4460216	2	Connector, Anderson (Blue)	
218	4923023	1	Cable, Battery (Fuse to Ground Control +)	B
218	Not Available	2	Boot, Red	
219	4923024	1	Cable, Battery (B- to Ground Control -)	A
219	Not Available	2	Boot, Black	
220	4923028	1	Traction Module Power Harness	C
220A	Not Available	1	Plug, Male - 2 Position	
221	4923029	1	Ground Control to Traction Module Harness	A
221A	Not Available	1	Plug, Male - 6 Position	
221B	Not Available	1	Plug, Male - 6 Position	
222	4923030	1	Main Harness	3-C
222A	4460424	4	Receptacle, Female - 2 Position	
222A	4460227	8	Pin, Male	
222B	4460424	1	Receptacle, Female - 2 Position	
222B	4460267	2	Pin, Male	
222C	4460424	1	Receptacle, Female - 2 Position	
222C	4460227	1	Pin, Male	
222C	4460226	1	Socket, Female	
222D	4460320	4	Plug, Male - 2 Position	
222D	4460226	8	Socket, Female	

SECTION 7 - ELECTRICAL

ITEM	PART NUMBER	QTY	DESCRIPTION	REV
222E	4460320	2	Plug, Male - 2 Position	
222E	4460227	4	Pin, Male	
222F	4460320	1	Plug, Male - 2 Position	
222F	4460227	1	Pin, Male	
222F	4460226	1	Socket, Female	
222G	4460445	1	Receptacle, Female - 3 Position	
222G	4460227	3	Pin, Male	
222H	4460919	1	Plug, Male - 20 Position	
222H	4460672	19	Socket, Female	
222J	4460920	1	Plug, Male - 14 Position	
222J	4460672	14	Socket, Female	
227	Not Available	2	Strobe Light Harness	
227A	4460320	2	Plug, Male - 2 Position	
227A	4460226	4	Socket, Female	
		Ref	BATTERY CHARGER INSTALLATIONS	
	0273559	Ref	Charger with ANSI Plug	B
	0274169	Ref	Charger with Australian Plug	A
	0274168	Ref	Charger without Plug	A
	0274259	Ref	Charger without Plug/Cord Reel	A
301		Ref	Battery Charger Components	
301A	4460424	1	Receptacle, Female - 2 Position (Was p/n 7011621)	
301A	4460227	2	Pin, Male	
301B	7022918	1	DC Harness Assembly (Internal Charger Harness)	
301B	4460444	1	Connector, Anderson	
301C	7022919	1	SCR Harness (Internal Charger Harness) (Not Shown)	
301D	7022920	1	LED Board Connector Harness (Internal Charger Harness)	
301D	4460961	1	Receptacle, Female - 4 Position	
301D	4460227	4	Pin, Male	
302	0610131	1	Charger LED Harness (Includes PC Board)	E
302A	4460321	1	Plug, Male - 4 Position	
302A	4460226	4	Socket, Female	
304	1060753	1	Charger LED Extension Harness	B
304A	4460321	1	Plug, Male - 4 Position	
304A	4460226	4	Socket, Female	
304B	4460961	1	Receptacle, Female - 4 Position	
304B	4460226	4	Socket, Female	
305		Ref	AC to Charger Harness Options:	
305	1060949	1	Charger with Plug	D
305	1060949	1	Charger without Plug	D
305	4923175	1	Charger with Plug/Cord Reel	A
305A	Not Available	1	Plug End	
307		Ref	Cover, Terminal	
307	4460802	1	Charger with Plug	
307	4460802	1	Charger without Plug	
307	Not Required	0	Charger with Plug/Cord Reel	
308		Ref	Terminal, AC Inlet Options:	
308	4460803	1	Charger with ANSI Plug	
308	4460940	1	Charger with Australian Plug	
308	Not Required	0	Charger without Plug	
308	Not Required	0	Charger without Plug/Cord Reel	
309	4923037	1	Battery Charger Harness	B

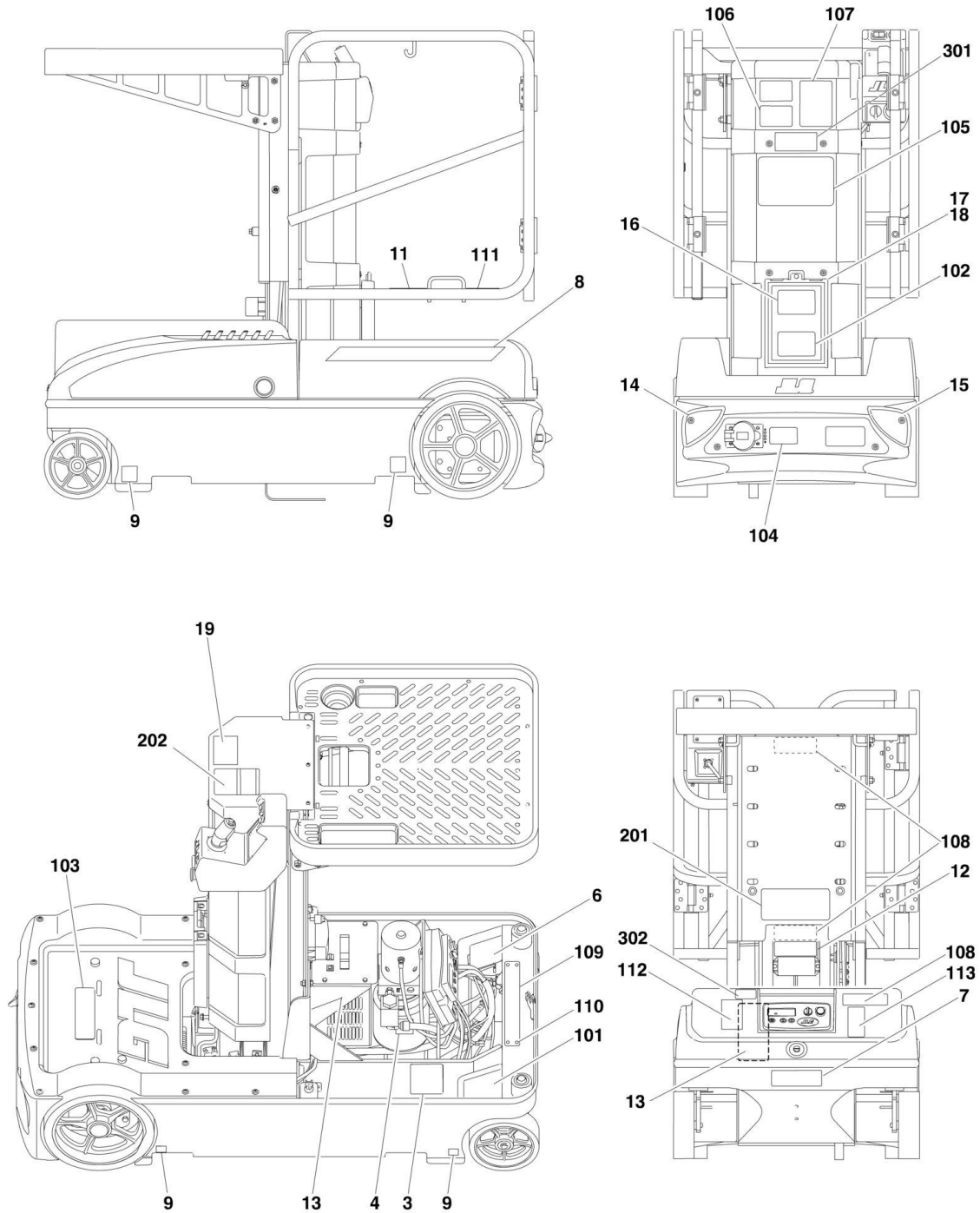
SECTION 7 - ELECTRICAL

ITEM	PART NUMBER	QTY	DESCRIPTION	REV
309A	4460444	1	Connector, Anderson	
		Ref	MISCELLANEOUS HARNESS COMPONENTS	
401	Not Available	2	Motor/Brake Harness	
401A	7018031	2	Plug, Male - 4 Position	
401A	7018030	2	Boot	
402	Not Available	1	Reversing Left Motor Lead Harness (Part of Traction Module)	
402A	Not Available	1	Receptacle, Female - 4 Position	
402B	Not Available	1	Plug, Male - 4 Position	
403	Not Available	1	Security Lock Harness	
403A	250199	1	Plug, Male - 4 Position	
403A	4461023	4	Socket, Female	
404	Not Available	1	Footswitch Harness	
404A	4460424	1	Receptacle, Female - 2 Position	
404A	4460226	2	Socket, Female	
405	Not Available	1	Platform Gate Switch and Footswitch Harness	
405A	4460320	2	Plug, Male - 2 Position	
405A	4460227	4	Pin, Male	
406	Not Available	1	Lift Cylinder Solenoid Harness	
406A	4460424	1	Receptacle, Female - 2 Position	
406A	4460226	2	Socket, Female	
		Ref	TOOLS	
501	7002821	Ref	Crimper (For Wire to Pin/Socket Connections)	
502	7002828	1	Stripper, Wire	
506	7002842	1	Brake Crimp Removal Tool (Not Shown)	
507	7002841	1	Motor Crimp Removal Tool (Not Shown)	
508	7016618	1	Molex Tool (For Ground Control Station Electrical Connectors)	
509	7002841	1	Intech Tool (For Drive Motor Electrical Connectors)	
510	7002842	1	Intech Tool (For Drive Motor Brake Electrical Connectors)	
511	7002847	1	Tyco / AMP Electronics Tool (For other General Electrical Connectors)	
512	7002848	1	Tyco / AMP Electronics Tool (For other General Electrical Connectors)	
513	1001137005	1	Software Cable Kit (Not Shown)	

SECTION 8 - DECALS

SECTION 8 - DECALS

FIGURE 8-1. DECAL INSTALLATION



SECTION 8 - DECALS

FIGURE 8-1. DECAL INSTALLATION

ITEM	PART NUMBER	QTY	DESCRIPTION	REV
	0273552	Ref	COMMON DECALS INSTALLATION	H
3	1700584		Decal - Patent	
5	1701504	1	Decal - Hydraulic Oil (Prior to SN 0130006432)	
6	Not Available	1	Decal - Barcode	
7	1703681	2	Decal - JLG	
8	1705928	2	Decal - AXCESSOR SSV-10	
9	1705930	4	Decal - Wheel Load	
11	1705624	1	Decal - Lanyard Attach	
12	1705992	1	Decal - Manual Descent	
13	1705993	1	Decal - Manual Descent	
14	1705994	1	Decal - Taillight Reflector (Right) (Prior to SN 0130008853)	
15	1705996	1	Decal - Taillight Reflector (Left) (Prior to SN 0130008853)	
16	1701640	1	Decal - Manual	
17	3820032	4	Rivet	
18	8990147	1	Holder, Manual	
18	70003486	2	Clip, Manual Holder	
19	1706131	1	Decal - Danger	
		Ref	COUNTRY SPEC DECALS INSTALLATION	
	0273553	Ref	ANSI Spec (English Language)	H
	0274162	Ref	ANSI Spec (Chinese Language)	C
	0274161	Ref	ANSI Spec (Portuguese Language)	C
	0274160	Ref	ANSI Spec (Spanish Language)	C
	0274158	Ref	CE Spec (All Languages)	B
	0273553	Ref	CSA Spec (English Language)	H
	0274163	Ref	CSA Spec (French Language)	C
101	1702153	1	Decal - Inspection (ANSI and CSA English Language Spec Only)	
102	1703779	1	Decal - USA (ANSI and CSA English Language Spec Only)	
103		Ref	Decal - Crushing Hazard Options:	
103	1703786	1	ANSI Spec (English Language)	
103	1706090	1	ANSI Spec (Chinese Language)	
103	1706086	1	ANSI Spec (Portuguese Language)	
103	1706082	1	ANSI Spec (Spanish Language)	
103	1705099	1	CE Spec (All Languages)	
103	1702153	1	CSA Spec (English Language)	
103	1706094	1	CSA Spec (French Language)	
104		Ref	Decal - Battery Charging Instructions Options:	
104	1705929	1	ANSI Spec (English Language)	
104	1706093	1	ANSI Spec (Chinese Language)	
104	1706089	1	ANSI Spec (Portuguese Language)	
104	1706085	1	ANSI Spec (Spanish Language)	
104	1706077	1	CE Spec (All Languages)	
104	1705929	1	CSA Spec (English Language)	
104	1706097	1	CSA Spec (French Language)	
105		Ref	Decal - Warning Options:	
105	1705937	1	ANSI Spec (English Language)	
105	1706092	1	ANSI Spec (Chinese Language)	
105	1706088	1	ANSI Spec (Portuguese Language)	
105	1706084	1	ANSI Spec (Spanish Language)	
105	Not Required	0	CE Spec (All Languages)	
105	1705937	1	CSA Spec (English Language)	

SECTION 8 - DECALS

ITEM	PART NUMBER	QTY	DESCRIPTION	REV
105	1706096	1	CSA Spec (French Language)	
106		Ref	Decal - Danger Options:	
106	1705938	1	ANSI Spec (English Language)	
106	1706091	1	ANSI Spec (Chinese Language)	
106	1706087	1	ANSI Spec (Portuguese Language)	
106	1706083	1	ANSI Spec (Spanish Language)	
106	1706078	1	CE Spec (All Languages)	
106	1705938	1	CSA Spec (English Language)	
106	1706095	1	CSA Spec (French Language)	
107		Ref	Decal - Capacity Options:	
107	1705939	1	ANSI and CSA Specs	
107	1706079	1	CE Spec (All Languages)	
108		Ref	Decal - Crushing Hazard Options:	
108	1705995	3	ANSI Spec (English Language)	
108	1706090	3	ANSI Spec (Chinese Language)	
108	1706086	3	ANSI Spec (Portuguese Language)	
108	1706082	3	ANSI Spec (Spanish Language)	
108	1705099	3	CE Spec (All Languages)	
108	1705995	3	CSA Spec (English Language)	
108	1706094	3	CSA Spec (French Language)	
109	Not Available	1	Nameplate - Serial Number	
110	2080057	4	Fastener	
111		Ref	Decal - Fall Restraint Options:	
111	1706115	1	ANSI Spec (English Language)	
111	1706117	1	ANSI Spec (Chinese Language)	
111	1706118	1	ANSI Spec (Portuguese Language)	
111	1706116	1	ANSI Spec (Spanish Language)	
111	Not Required	0	CE Spec (All Languages)	
111	1706115	1	CSA Spec (English Language)	
111	1706119	1	CSA Spec (French Language)	
112	1706616	1	Decal - Capacity (SN 0130007502 to Present)	
113	1706617	1	Decal - No Riders (SN 0130007502 to Present)	
	0274053	Ref	TARGET SPEC DECALS INSTALLATION	B
201	1705629	2	Decal - Target Employees Only	
202	1706309	1	Decal - Target Check List (SN 0130006402 to Present)	
	0274568	Ref	SERVICE DECAL INSTALLATION	C
301	1001110242	1	Decal - Alternative Service (was p/n 1705304)	
302	1001110242	1	Decal - CSG Service (9-5, M-F) (Was p/n 1001091144)	

SECTION 9 - RECOMMENDED SERVICE PARTS STOCK

SECTION 9 - RECOMMENDED SERVICE PARTS STOCK

SECTION 9 - RECOMMENDED SERVICE PARTS STOCK

FIGURE 9-1. SSV-10 STANDARD PARTS

ITEM	PART NUMBER	QTY	DESCRIPTION	REV
	Note	Ref	Note: The following list will service one machine (built to current production per date on the front cover) with emergency repair parts which can be installed in the field. Parts from the list should be replaced when inventory is depleted to keep service parts stock supplied. For further information, contact your JLG dealer or the JLG Industries Parts Department.	
		Ref	STANDARD PARTS	
	7011029	4	Filter	
	7011069	1	Breather	
	2400069	2	Fuse 175 Amp	
	4360514	1	Proximity Switch	
	7024428	1	Switch, Emergency	
	7024430	1	Switch, Selector	
	1600454	1	Controller Assembly	
	4360467	1	Keypad	
	2860030	1	Key, Replacement	
	4360562	1	Switch, Emergency	
	4360566	1	Switch, Rocker	
	4360567	1	Switch, Push Button	
	4360572	1	Footswitch	
	4360573	1	Proximity Switch	
	2120183	4	Hydraulic Filter	

SECTION 9 - RECOMMENDED SERVICE PARTS STOCK

FIGURE 9-2. SSV-10 VARIABLE PARTS

ITEM	PART NUMBER	QTY	DESCRIPTION	REV
	Note	Ref	Note: The following list will service one machine (built to current production per date on the front cover) with emergency repair parts which can be installed in the field. Parts from the list should be replaced when inventory is depleted to keep service parts stock supplied. For further information, contact your JLG dealer or the JLG Industries Parts Department.	
		Ref	VARIABLE PARTS	
	7018514	1	Breaker, Circuit (Part of Battery Charger)	
	7018564	1	Relay (Part of Battery Charger)	
	7018570	2	Fuse 80 Amp (Part of Battery Charger)	
	1600329	1	Ground Control Module	
	1600397	1	Traction Module	
	1600378	1	Platform Control Module	

SECTION 10 - SPECIAL OPTIONS

SECTION 10 - SPECIAL OPTIONS

FIGURE 10-1. SPECIAL OPTIONS

ITEM	PART NUMBER	QTY	DESCRIPTION	REV
	Note	Ref	Note: This list is to accomodate machines ordered with special equipment. Options may not be applicable to all models. For more specific parts information contact JLG Parts Department.	
	0240112	Ref	SCANNER POCKET	
	1580031	1	Pocket, Scanner	
	4341005	1	Mount, Pocket	
		Ref	Special Tools:	
	7002821	1	Crimper (For Wire to Pin/Socket Connections)	
	7002823	1	Extractor (For Removal of Pin/Sockets Connectors)	
	4460467	1	Extractor 16-18 Gauge (For Wire to Pin/Socket from Deutsch Connectors)	
	4460510	1	Extractor 12-14 Gauge (For Wire to Pin/Socket from Deutsch Connectors)	
	7016654	1	Screwdriver, Magnetic	
	7004275	1	Seal Tool - 1in	
	7004276	1	Seal Tool - 1-1/2in	
	7002826	1	Seal Tool 2in	
	8896941	1	Stripper, Wire	
	2915027	1	Rear Wheel Puller	
	1001137005	1	Software Cable Kit	
	3125081	Ref	VIDEO, OPERATORS	

PART NUMBER INDEX

SECTION 10 - SPECIAL OPTIONS

01000119, 15, 20, 23, 27, 29, 31, 35, 39, 41	0641416 39	1320316 43	1706131 69
0100019 36, 41	0641424 43	1321283 29	1706134 43, 45
0100051 23, 64	0641606 9, 20	1380169 15	1706309 70
0100062 36	0641609 9, 36	1580027 41	1706326 47
0100081 9	0641612 9, 36	1580031 76	1706616 70
0140022 23	0641616 15	1600329 27, 74	1706617 70
0140033 27	0641617 9	1600340 27	2080040 39, 41, 45
0240103 9	0641618 43	1600378 31, 74	2080043 39
0240107 45	0641622 39	1600397 27, 74	2080057 70
0240108 45	0651409 9	1600454 31, 72	2110606 20
0240109 45	0721003 27	1671141 15	2120183 57, 72
0240112 76	0721006 35	1671143 15	2220591 51, 53
0240114 15	0741003 29	1671146 15	2220883 51
0255040 47	0741005 23	1671149 15	2220886 51
0273417 36	0741412 29	1671168 39	2221123 57
0273545 36	0741614 39	1671214 15	2221172 51, 53, 57
0273546 20, 57	0751003 39	1671298 15	2221173 51, 53, 57
0273547 27	0751006 39	1684348 35, 51, 57	2221185 20, 57
0273548 23, 64	0791003 23, 29, 35	1684531 35, 53	2300014 20
0273549 15	0791404 31	1700584 69	2300021 20
0273551 29, 63	0791406 23, 45	1701504 69	2360665 9
0273552 69	0791506 23	1701640 69	2360684 41
0273553 69	0791812 35	1702153 69	2360697 9
0273559 23, 65	0801394 35	1702365 47	2400044 23
0273566 27	0811408 35	1703681 69	2400069 23, 64, 72
0273570 43	0811610 15, 41	1703779 69	2410012 39
0273571 43	0861657 31	1703786 69	2410013 39
0273622 9	0861658 29, 31, 63	1704412 20	250199 64, 66
0273784 9	0861767 31	1705099 69, 70	250200 63
0274011 41	0861768 31, 63	1705624 69	2600294 39
0274053 70	0902047 35	1705629 70	2660121 43
0274055 39	0902423 35	1705928 69	2754025 57
0274078 9	0902424 35	1705929 69	2860030 31, 72
0274158 69	0902431 35	1705930 69	2880310 35
0274160 69	0902445 35	1705937 69	2915027 76
0274161 69	0902698 35	1705938 70	2920178 23
0274162 69	0902895 43	1705939 70	2940161 27
0274163 69	0903120 10	1705992 69	2940164 9
0274164 9	0903121 10	1705993 69	2940165 41
0274168 23, 65	0903222 15	1705994 69	2940179 15
0274169 23, 65	0940049 15	1705995 70	3020029 9
0274181 20, 57	0940132 9	1705996 69	3020038 23, 29, 63, 64
0274259 23, 65	0940152 9	1706007 31	3020039 9
0274515 27	0940153 9	1706077 69	3020041 35
0274568 70	1001097488 41	1706078 70	3125081 76
0362735 35	1001098194 29	1706079 70	3160303 9, 13
0400208 23, 25	1001110242 70	1706082 69, 70	3300364 15
0400209 23	1001137005 66, 76	1706083 70	3300454 15
0440246 35	1060380 47	1706084 69	3310601 31
0440249 35	1060753 65	1706085 69	3311001 23
0440258 9	1060799 43	1706086 69, 70	3311405 9, 29, 43, 45, 47
0440287 41	1060927 63	1706087 70	3311408 35, 45
0440306 9	1060943 64	1706088 69	3311501 23
0440307 9	1060944 64	1706089 69	3311601 35, 36
0440308 9	1060949 65	1706090 69, 70	33116059, 10, 15, 29, 39, 43
0561149 36	1120579 9	1706091 70	3312202 9
0561153 36	1120582 39	1706092 69	3321701 41
0561341 35	1120583 39	1706093 69	3340845 35
0561408 36	1180392 63	1706094 69, 70	3340962 39, 41
0561409 36	1260375 35, 36	1706095 70	3380540 31
0610131 23, 65	1260376 35, 36	1706096 70	3380541 23
0630464 31	1271567 35	1706097 69	3420198 43
0641404 23, 27	1271568 35	1706115 70	3421453 47
0641406 29	1271569 35	1706116 70	3422338 36
0641410 9, 47	1271577 35	1706117 70	3422346 36
0641412 29	1320043 29	1706118 70	3422717 35
	1320149 29	1706119 70	

SECTION 10 - SPECIAL OPTIONS

3422744	45	4360467	31, 72	4923106	31, 63	7011069	19, 72
3422750	35	4360514	23, 64, 72	4923107	31, 63	7011621	25
3422752	35	4360561	31	4923108	31, 63	7016618	66
3422757	35	4360562	31, 72	4923113	29, 64	7016654	76
3450302	41	4360566	31, 72	4923174	29	7018000	13
3450304	36	4360567	31, 63, 72	4923175	65	7018011	13
3450505	9	4360572	39, 72	4923315	31, 63	7018028	13
3452355	36	4360573	39, 72	4923316	29, 64	7018030	13, 66
3510860	39	4460216	64	7000012	31	7018031	13, 66
3510862	39	4460226	63, 64, 65, 66	7000025	53	7018033	13
3510865	39	4460227	64, 65, 66	7000041	19	7018035	13
3520072	39	4460267	63, 64	7000084	31	7018037	13
3520176	45	4460320	63, 64, 65, 66	70000218	53	7018045	13
3570893	35	4460321	65	70000344	63	7018052	13
3571101	36	4460424	63, 64, 65, 66	70000682	31	7018054	13
3571103	36	4460444	65, 66	70000807	13	7018055	13
3575423	23	4460445	65	70000808	13	7018056	13
3580269	35	4460467	76	70000809	13	7018057	13
3580286	35	4460510	76	70000991	53	7018058	13
3580293	35	4460663	63	70000992	53	7018059	13
3580305	29	4460672	65	70000993	53	7018060	13
3580344	29	4460802	23, 65	70000994	53	7018061	13
3600392	19, 20	4460803	23, 65	70000995	53	7018514	25, 74
3680056	23	4460919	65	70001113	53	7018537	25
3760115	9	4460920	65	70001703	64	7018564	25, 74
3760170	47	4460940	23, 65	70001704	64	7018570	25, 74
3760308	15	4460961	65	70001705	63, 64	7018577	25
3760365	15	4461023	63, 64, 66	70001706	64	7018586	25
3760383	35	4461025	63	70001707	64	7018589	25
3760496	9	4461041	63	70001708	64	7020648	25
3820032	23, 69	4520280	9	70001798	63	7020651	25
3890039	35	4520281	9	70001799	63	7020663	25
3900174	15	4520342	9	70001983	13	7020673	25
3900187	35	4520343	9	70001984	13	7020674	25
3900192	35	4520352	10	70001985	13	7022918	25, 65
3900258	15, 39	4567491	35	70001986	13	7022919	25, 65
3900264	29	4567750	36	70001987	13	7022920	25, 65
3900315	29	4567751	36	70001988	13	7022921	25
3900373	29	4568208	45	70001989	13	7022922	25
3910608	31	4569003	36	70003486	69	7022923	25
3910804	31	4569158	45	7002821	66, 76	7022926	25
3911010	31	4630009	45	7002823	76	7022942	25
3911016	23	4630010	45	7002826	76	7022943	25
3911020	27	4711400	29, 39, 43	7002828	66	7023391	53
3931408	45	4711500	41	7002841	66	7023392	53
3960590	9	4711600	9, 15, 36, 39, 41, 43	7002842	66	7023395	53
4070860	35	4711700	41	7002847	66	7023498	63
4070861	35	4712400	9	7002848	66	7024300	63
4070862	35	4740007	36	7004275	76	7024428	27, 72
4070970	35	4740414	36	7004276	76	7024430	27, 72
4070971	35	4740476	41	7010928	19	7024460	27
4071084	23	4751000	27, 29, 36	7011004	19	7026623	53
4071095	39	4751400	9, 15	7011008	19	7026624	53
4120046	23	4751500	15, 29, 36	7011009	19	7027247	57
4160124	35	4761500	23	7011011	19	7027340	51
4160130	29	4844840	47	7011013	19	7027365	31
4220222	41	4923021	64	7011016	19	7027366	31
4220309	39	4923022	64	7011017	19	7027367	31
4240018	29	4923023	64	7011021	19	7027733	23
4240147	9	4923024	64	7011024	19	7027734	63
4240163	43	4923028	64	7011025	19	7027735	63
4280296	47	4923029	64	7011027	19	7027736	63
4300111	36	4923029	64	7011029	19, 72	7027765	31
4340838	29	4923030	64	7011031	19	7027766	31
4340884	31	4923035	29, 63	7011032	19	7027847	51
4341005	76	4923037	65	7011033	19	7027848	51
4341067	15	4923055	31, 63	7011034	19	7027849	51

SECTION 10 - SPECIAL OPTIONS

7027850.....	51	7027855.....	51	7027946.....	19	8882320.....	39
7027851.....	51	7027943.....	19	7027947.....	19	8882970.....	9
7027852.....	51	7027944.....	19	7027948.....	19	8896941.....	76
7027853.....	51	7027945.....	19	7027949.....	19	8990147.....	69



**Corporate Office
JLG Industries, Inc.
1 JLG Drive
McConnellsburg, PA 17233-9533 USA
☎ (717) 485-5161 (Corporate)
☎ (877) 554-5438 (Customer Support)
📠 (717) 485-6417**

**Visit our website for JLG Worldwide Locations.
www.jlg.com**



OSHKOSH™