





































# SECTION 1 - COVERS INSTALL / INSTALLATION CAPOTS

**FIGURE 1-2. HOODS INSTALL / INSTALLATION CAPOTS (SN A300052819 to Present)**

ITEM	PART NUMBER	QTY	DESCRIPTION	REV
		Ref	<b>COVERS INSTALL; INFO - SP0954 / INSTALLATION CAPOTS; INFO - SP0954 (SN A300052819 to Present)</b>	C
0	SA0073	Ref	<b>HOODS INSTALL / INSTALLATION CAPOTS</b>	C
1	000003	8	M05x16 8.8 SOCKET HEAD MACH SCREW / VIS CHC M05x16 8.8 BI FT	
2	000015	2	M06x16 8.8 SOCKET HEAD MACH SCREW / VIS CHC M06x16 8.8 BI FT	
4	100027	4	M06x12 8.8 HEX HEAD MACHINE SCREW / VIS H M06x12 8.8 BI FT	
5	110002	4	M05 GR08 LOCK NUT / ECROU FREIN M5 CL08 BI	
6	110003	2	M06 GR08 LOCK NUT / ECROU FREIN M6 CL08 BI	
7	110026	9	M06 CAGE HEX NUT / ECROU CAGE M06	
8	110040	9	D8 CAGE HEX NUT / ECROU CAGE D8	
9	120004	4	dD 06x25 WASHER / RONDELLE dD 06x25x1.2 BI	
10	120009	8	dD 06x14 LOCK WASHER / RONDELLE CONTACT dD 06x14 BI	
11	120057	9	D8 RETAINING WASHER / RONDELLE DE RETENUE D8	
12	120060	2	WASHER, D6 SERRATED LOCK / RONDELLE EVENTAIL D6	
13	130021	20	M06x20 8.8 ROUND HEAD MACH SCREW / VIS BOMBEE ULF M06x20 8.8 BI FT	
14	130064	9	D8 FAST-LEAD THREAD SCREW / VIS D8 PAS RAPIDE TETE LARGE	
15	180009	6	Ø5x16 LARGE HEAD POP RIVET / RIVET POP TETE LARGE Ø5x16	
16	190072	1	COMPRESSION LATCH / LOQUET A COMPRESSION	
17	400057	2	CAP / EMBOUT NOIR	
18	190074	2	FRICTION HINGE / CHARNIERE A FRICTION	
19	DL0865	1	SUPPORT, FRONT LEFT HOOD / SUPPORT CAPOTS GAUCHE	
20	DL0866	1	SUPPORT, FRONT RIGHT HOOD / SUPPORT CAPOTS DROIT	
21	ST1403	1	MAST 1 COVER / PROTECTION MAT 1	
22	ST1404	2	MAST 2 AND 3 COVER / PROTECTION MATS 2 ET 3	
23	ST3315	1	HOOD, FRAME RIGHT / CAPOT CHASSIS DROIT	C
24	ST3316	1	HOODS, FRAME LEFT / CAPOT CHASSIS GAUCHE	C
25	ST3170	1	FRONT HOOD SUPPORT / SUPPORT AVANT CAPOT	
26	ST3171	1	REAR HOOD SUPPORT / SUPPORT ARRIERE CAPOT	
27	ST3327	1	HOOD, MAST RIGHT / CAPOT MAT DROIT	
28	ST3328	1	HOOD, MAST LEFT / CAPOT MAT GAUCHE	
29	ST3329	1	HOOD, FRONT / CAPOT AVANT	
30	ST3330	1	HOOD, BATTERIES / CAPOT BATTERIE	
31	ST3375	1	BRACKET, LEFT HOOD / EQUERRE CAPOT GAUCHE	
32	ST3376	1	SUPPORT, RIGHT HOOD / SUPPORT CAPOT DROIT	
33	ST3377	2	PLATE, NUT / PLAQUE ECROU	
34	ST3378	1	PLATE, PROTECTION / TOLE DE PROTECTION	
35	ST3471	1	PLATE, SEAL COVER / TOLE COUVRE-JOINT	
36	ST3472	1	PLATE, FLAP CAP / TRAPPE DE VISITE	
37	110001	12	M04 GR. 8.8 LOCK NUT / ECROU FREIN M4 CL08 BI	C
38	130062	6	M04x16 8.8 ROUND HEAD MACH SCREW / VIS BOMBEE ULF M04x16 8.8 BI FT	C
39	1001091102	6	WASHER FLAT LARGE D4 / RONDELLE LARGE D4	C
100	SA0017	Ref	<b>INSTALL, 8E FRAME SHIELDS / 8E - INSTALLATION TOLES DE CHASSIS</b>	C
100	SA0098	Ref	<b>INSTALL, 20E FRAME SHIELDS / 20E - INSTALLATION TOLES</b>	C

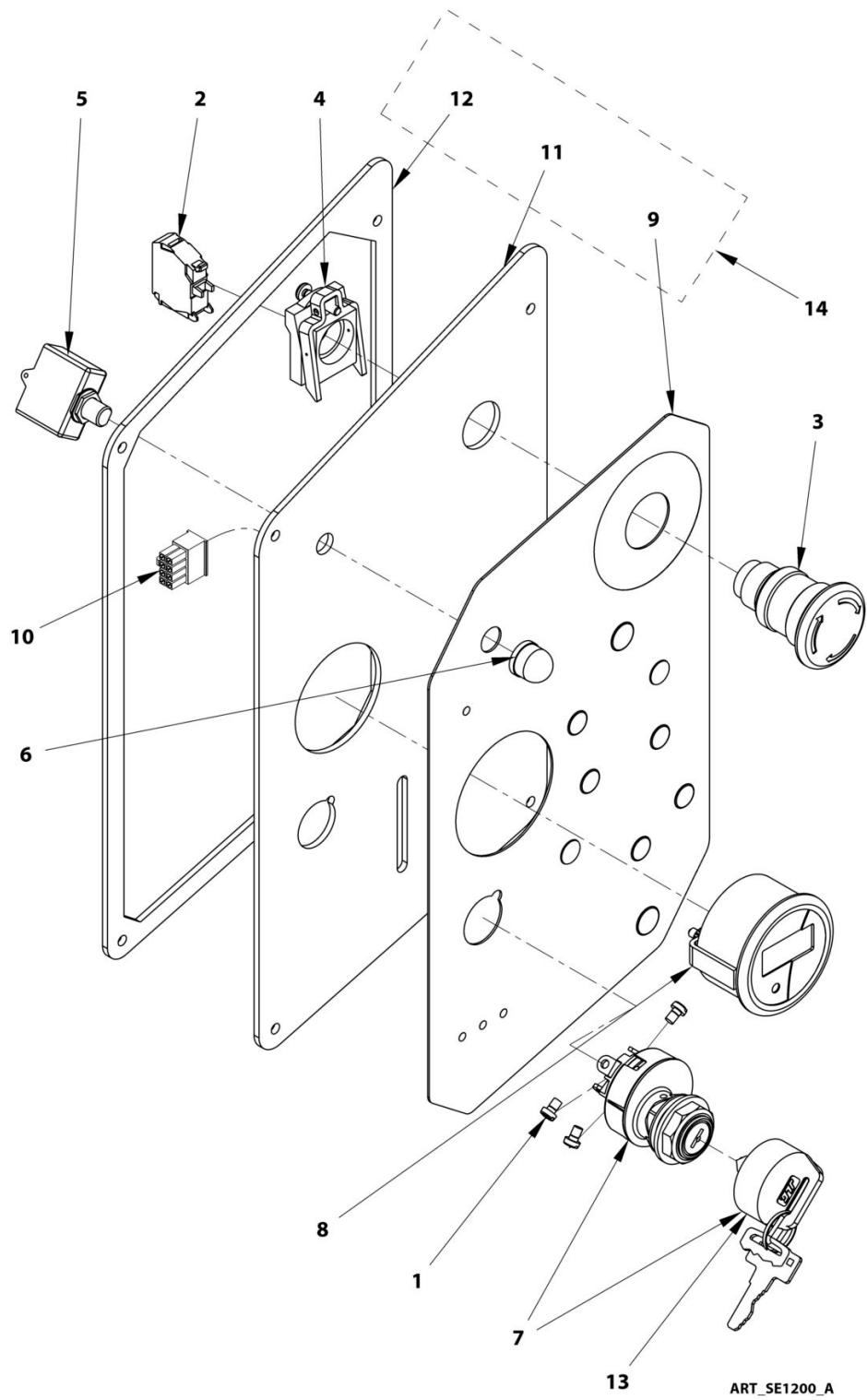
# SECTION 1 - COVERS INSTALL / INSTALLATION CAPOTS

ITEM	PART NUMBER	QTY	DESCRIPTION	REV
			<b>DE CHASSIS</b>	
10	120009	6	dD 06x14 LOCK WASHER / RONDELLE CONTACT dD 06x14 BI	
101	000014	6	M06x12 8.8 SOCKET HEAD MACH SCREW / VIS CHC M06x12 8.8 BI FT	
102	100021	8	M12x25 8.8 HEX HEAD MACHINE SCREW / VIS H M12x25 8.8 BI FT	
103	120054	8	HELICAL SPRING LOCK WASHER Ø12 / RONDELLE GROWER Ø12 BI	
104	DL0831	1	SHIELD, 8E FRAME REAR / 8E - TOLE ARRIERE CHASSIS	
104	DL0877	1	SHIELD, 20E FRAME REAR / 20E - TOLE ARRIERE CHASSIS	
105	ST3696	1	SHIELD,FRAME RIGHT / CAPOT CHASSIS DROIT	C
106	ST3697	1	SHIELD,FRAME LEFT / CÄPOT CHASSIS GAUCHE	C
107	ST3235	1	SHIELD, 8E FRAME FRONT / 8E - CARTER AVANT CHASSIS	
107	ST3463	1	SHIELD, 20E FRAME FRONT / 20E - CARTER AVANT CHASSIS	
			<b>INSTALL, GROUND CONSOLE / INSTALLATION BOITIER BAS</b>	
200	SA0016	Ref		C
38	130062	4	M04x16 8.8 ROUND HEAD MACH SCREW / VIS BOMBEE ULF M04x16 8.8 BI FT	
201	SE0924	1	GROUND CONTROL PANEL; INFO - See SE0924 / FACADE BOITIER BAS; INFO - Voir SE0924 <b>(Prior to SN A300053008)</b>	C
201	SE1200	1	GROUND CONTROL PANEL / FACADE BOITIER BAS <b>(SN A300053008 to Present)</b>	C
202	290066	1	INTERFACE BOARD LCB / CARTE INTERFACE BOITIER BAS <b>(Prior to SN A300053008)</b>	C
202	1001187631	1	INTERFACE BOARD LCB / CARTE INTERFACE BOITIER BAS <b>(SN A300053008 to Present)</b>	C
203	120033	4	M4 PLASTIC WASHER / RONDELLE PLASTIQUE M4	
204	1001210948	4	SCREW, TORX D3xL8 FOR THERMOPLASTIC / VIS TORX D3xL8 POUR THERMOPLASTIQUE	
			<b>INSTALL, BEACON / INSTALLATION FEU A ECLATS</b>	
300	SA0082	Ref		
301	PC0534	1	HARNESS, BEACON / FAISCEAU FEU A ECLATS	



# SECTION 1 - COVERS INSTALL / INSTALLATION CAPOTS

## FIGURE 1-3. GROUND CONTROL PANEL / FACADE BOITIER BAS



# SECTION 1 - COVERS INSTALL / INSTALLATION CAPOTS

## FIGURE 1-3. GROUND CONTROL PANEL / FACADE BOITIER BAS

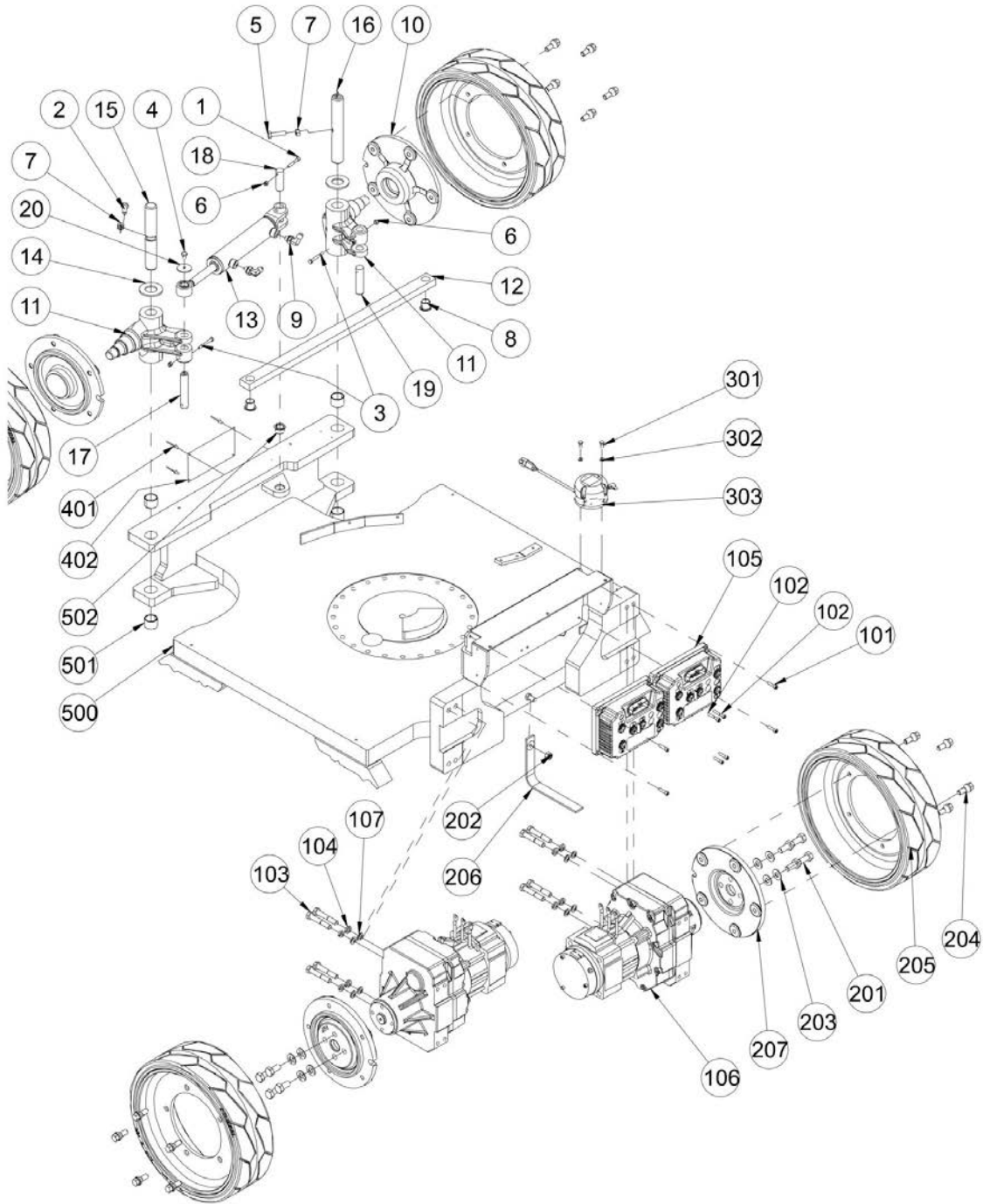
ITEM	PART NUMBER	QTY	DESCRIPTION	REV
0	SE0924		<b>GROUND CONTROL PANEL / FACADE BOITIER BAS (Prior to SN A300053008)</b>	B
0	SE1200	1	ELEC ASSY,GROUND CONTROL PANEL / FACADE BOITIER BAS <b>(SN A300053008 to Present)</b>	B
1	130059	3	M04x06 GR. 4.8 CYLINDRIC HEAD / VIS TC M04x06 4.8 ZI	
2	240057	1	NC CONTACT BLOCK / CONTACT NF	
3	240060	1	TURN TO RELEASE KNOB / BOUTON D'ARRET D'URGENCE 1/4 TOUR	
4	240076	1	SWITCH BASE / EMBASE CONTACT	
5	260240	1	CIRCUIT BREAKER 5A / DISJONCTEUR 5A	
6	260243	1	CIRCUIT BREAKER BOOT / CAPUCHON DISJONCTEUR	
7	4360469	1	SWITCH,KEY ON/OFF/ON / SELECTEUR A CLE 3 POSITIONS	
8	1001109503	1	MULTI DISPLAY INDICATOR / AFFICHEUR MULTIFONCTION	
9	AU2082	1	MEMBRANE SWITCHES, GROUND PANEL / INTERRUPTEURS A MENBRANE BOITIER BAS <b>(Prior to SN A300053008)</b>	B
9	AU2207	1	DECAL,SWITCH, MEMBRANE PANEL, GROUND / INTERRUPTEURS A MENBRANE BOITIER BAS <b>(SN A300053008 to Present)</b>	B
10	PC0465	1	HARNESS, LCB / FAISCEAU BOITIER BAS	
11	ST3119	1	GROUND PANEL / PLATINE BOITIER BAS <b>(Prior to SN A300053008)</b>	B
11	ST3775	1	PLATE,GROUND PANEL / PLATINE BOITIER BAS <b>(SN A300053008 to Present)</b>	B
12	ST3155	1	GASKET, GROUND PANEL / JOINT BOITIER BAS	
13	2860030	1	KEY (INCLUDED IN ITEM 4360469) / CLE (COMPRISE DANS REF 4360469)	
14	KT0150	1	KIT-DECAL AND PLATE AND SEAL - LCB / KIT AU ET PLATINE ET JOINT BOITIER BAS <b>(Prior to SN A300053008)</b>	B
14	SE1202	1	KIT(SERVICE),DECAL PLATE AND SEAL / KIT AU ET PLATINE ET JOINT BOITIER BAS <b>(SN A300053008 to Present)</b>	B



**SECTION 2 - FRAME INSTALL / INSTALLATION CHASSIS**

# SECTION 2 - FRAME INSTALL / INSTALLATION CHASSIS

## FIGURE 2-1. FRAME INSTALL / INSTALLATION CHASSIS





## SECTION 2 - FRAME INSTALL / INSTALLATION CHASSIS

**FIGURE 2-1. FRAME INSTALL / INSTALLATION CHASSIS**

ITEM	PART NUMBER	QTY	DESCRIPTION	REV
		Ref	<b>FRAME INSTALL; INFO - SP0937 / INSTALLATION CHASSIS; INFO - SP0937</b>	C
0	SA0002	Ref	<b>INSTALL, T8E STEER / T8E - INSTALLATION DIRECTION</b>	C
1	000017	1	M06x40 8.8 SOCKET HEAD MACH SCREW / VIS CHC M06x40 8.8 BI FT	
2	100009	1	M10x30 8.8 HEX HEAD MACHINE SCREW / VIS H M10x30 8.8 BI FT	
3	100013	2	M06x50 8.8 HEX HEAD CAPSCREW / VIS H M06x50 8.8 BI FP	C
4	100053	1	M08x12 8.8 HEX HEAD MACHINE SCREW / VIS H M08x12 8.8 BI FT	
5	100102	1	M10x40 8.8 HEX HEAD MACHINE SCREW / VIS H M10x40 8.8 BI FT	
6	110003	3	M06 GR08 LOCK NUT / ECROU FREIN M6 CL08 BI	
7	110008	2	M10 GR08 HEX NUT / ECROU H M10 CL08 BI	
8	150059	2	FLANGE BUSHING Ø20 H21.5 DU / BAGUE EPAULEE Ø20 H21.5 DU	
9	300001	2	90° ELBOW MALE BSPP 1/4-MALE JIC 9/16 / COUDE 90° Male BSPP 1/4 -Male JIC 9/16	
10	2780266	2	STEERING WHEEL HUB; INFO - 2780266 / MOYEU ROUE DIRECTRICE; INFO - 2780266	
11	DL0819	2	SPINDLE / PIVOT DE DIRECTION	
12	ST3158	1	LINK, STEERING / BIELLETTE DE DIRECTION	B
13	ST3332	1	STEERING CYLINDER / VERIN DE DIRECTION	C
13	960099	1	SEAL KIT / KIT DE JOINTS	C
13	150004	2	FLANGE BUSHING Ø20 H11.5 DU / BAGUE EPAULEE Ø20 H11.5 DU	C
14	US0134	2	THRUST WASHER / RONDELLE D'APPUI	
15	US0216	1	SPINDLE PIN / AXE DE FUSEE	
16	US0523	1	PIN, ROTARY ANGLE SENSOR / AXE DIRECTION POUR CAPTEUR D'ANGLE	
17	US0528	1	PIN, ARTICULATION D20-104 / AXE D20-104	
18	US0529	1	PIN, ARTICULATION D20-60 / AXE D20-60	
19	US0530	1	PIN, ARTICULATION D20-80 / AXE D20-80	
20	US0531	1	WASHER, ID8xOD37xTH3 / RONDELLE Di 8xDe 37xEP 3	
100	SA0001	Ref	<b>INSTALL, WHEEL DRIVE / INSTALLATION TRANSLATION</b>	
101	000008	6	M06x25 8.8 SOCKET HEAD MACH SCREW / VIS CHC M06x25 8.8 BI FT	
102	000077	2	M06x35 8.8 SOCKET HEAD CAPSCREW / VIS CHC M06x35 8.8 BI FP	
103	100103	8	M12x70 10.9 HEX HEAD CAPSCREW / VIS H M12x70 10.9 BR FP	
104	120054	8	HELICAL SPRING LOCK WASHER Ø12 / RONDELLE GROWER Ø12 BI	
105	260318	2	CONTROLLER, COMBI-ACO / VARIATEUR COMBI-ACO	
106	510086	2	DRIVE GEAR MOTOR; INFO - 510086 / MOTOREDUCTEUR DE ROUE; INFO - 510086	
107	US0190	8	dDH 13x20x02 HARDENED WASHER / RONDELLE TRAITEE dDH 13x20x02	
200	SA0009	Ref	<b>INSTALL, TIRES AND WHEEL / INSTALLATION ROUES</b>	
201	100104	8	M14x1.5x30 10.9 HEX HEAD Mach SCREW / VIS H M14X1.5x30 10.9 BI FT	

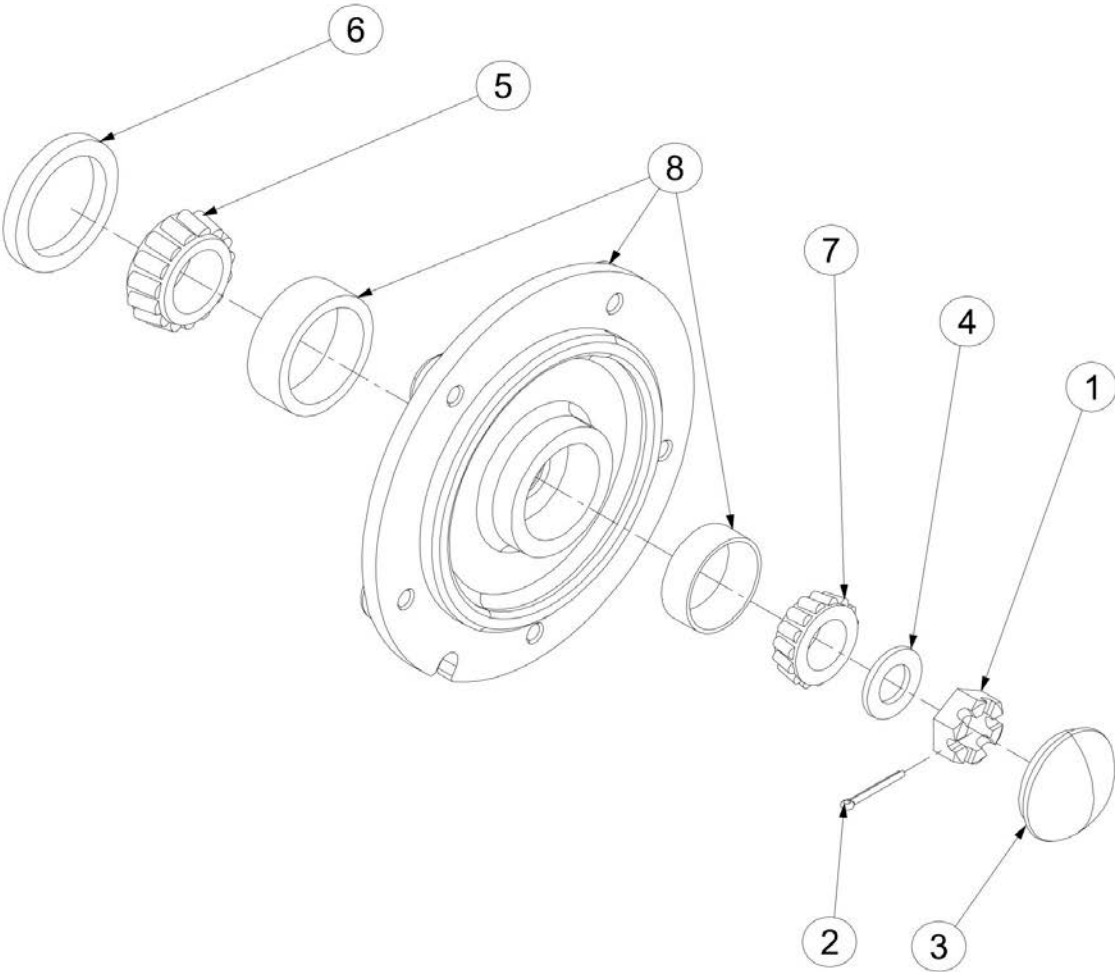
## SECTION 2 - FRAME INSTALL / INSTALLATION CHASSIS

ITEM	PART NUMBER	QTY	DESCRIPTION	REV
202	110005	1	M10 GR08 LOCK NUT / ECROU FREIN M10 CL08 BI	
203	120055	8	dD 14x30 LOCK WASHER BI / RONDELLE CONTACT dD 14x30 BI	
204	0630580	20	BOLT, WHEEL M12x1.5 / GOUJON DE ROUE M12x1.5	
205	1001114466	4	WHEEL/TIRE 125x406 NON-MARKING / ROUE NON MARQUANTE 125x406	
206	4240147	1	STRAP, ANTI-STATIC 13" / TRESSE ANTI-STATIQUE 13"	
207	US0532	2	HUB, DRIVE / MOYEU ARRIERE	
300	SA0013	Ref	<b>INSTALL, TILT SENSOR / INSTALLATION DEVERS</b>	
301	100098	2	M06x16 8.8 HEX HEAD MACHINE SCREW / VIS H M06x16 8.8 BI FT	
302	120009	2	dD 06x14 LOCK WASHER / RONDELLE CONTACT dD 06x14 BI	
303	PC0478	1	TILT SENSOR 1.9° / DETECTEUR DE DEVERS 1.9°	
400	SA0090	Ref	<b>INSTALL, T8E - NAME PLATE (FRANCE) / T8E - INSTALLATION PLAQUE CONSTRUCTEUR CE (FRANCE)</b>	C
400	SA0091	Ref	<b>INSTALL, T8E - NAME PLATE (BELGIUM) / T8E - INSTALLATION PLAQUE CONSTRUCTEUR CE (BELGIQUE)</b>	C
400	SA0102	Ref	<b>INSTALL, T20E - NAME PLATE (FRANCE) / T20E - INSTALLATION PLAQUE CONSTRUCTEUR CE (FRANCE)</b>	C
400	SA0103	Ref	<b>INSTALL, T20E - NAME PLATE (BELGIUM) / T20E - INSTALLATION PLAQUE CONSTRUCTEUR CE (BELGIQUE)</b>	C
401	180003	4	Ø5x10 POP RIVET / RIVET POP Ø5x10	
402		Ref	MANUFACTURER'S NAME PLATE / PLAQUE CONSTRUCTEUR	
500	DL0813	1	<b>FRAME, TOUCAN 8E / CHASSIS TOUCAN 8E</b>	B
500	DL0875	1	<b>FRAME, TOUCAN 20E / CHASSIS TOUCAN 20E</b>	C
501	150019	4	BUSHING Ø30 H25 DU / BAGUE Ø30 H25 DU	
502	150058	1	FLANGE BUSHING Ø20 H16.5 / BAGUE EPAULEE Ø20 H16.5	



**SECTION 2 - FRAME INSTALL / INSTALLATION CHASSIS**

**FIGURE 2-2. STEERING WHEEL HUB / MOYEU ROUE DIRECTRICE**



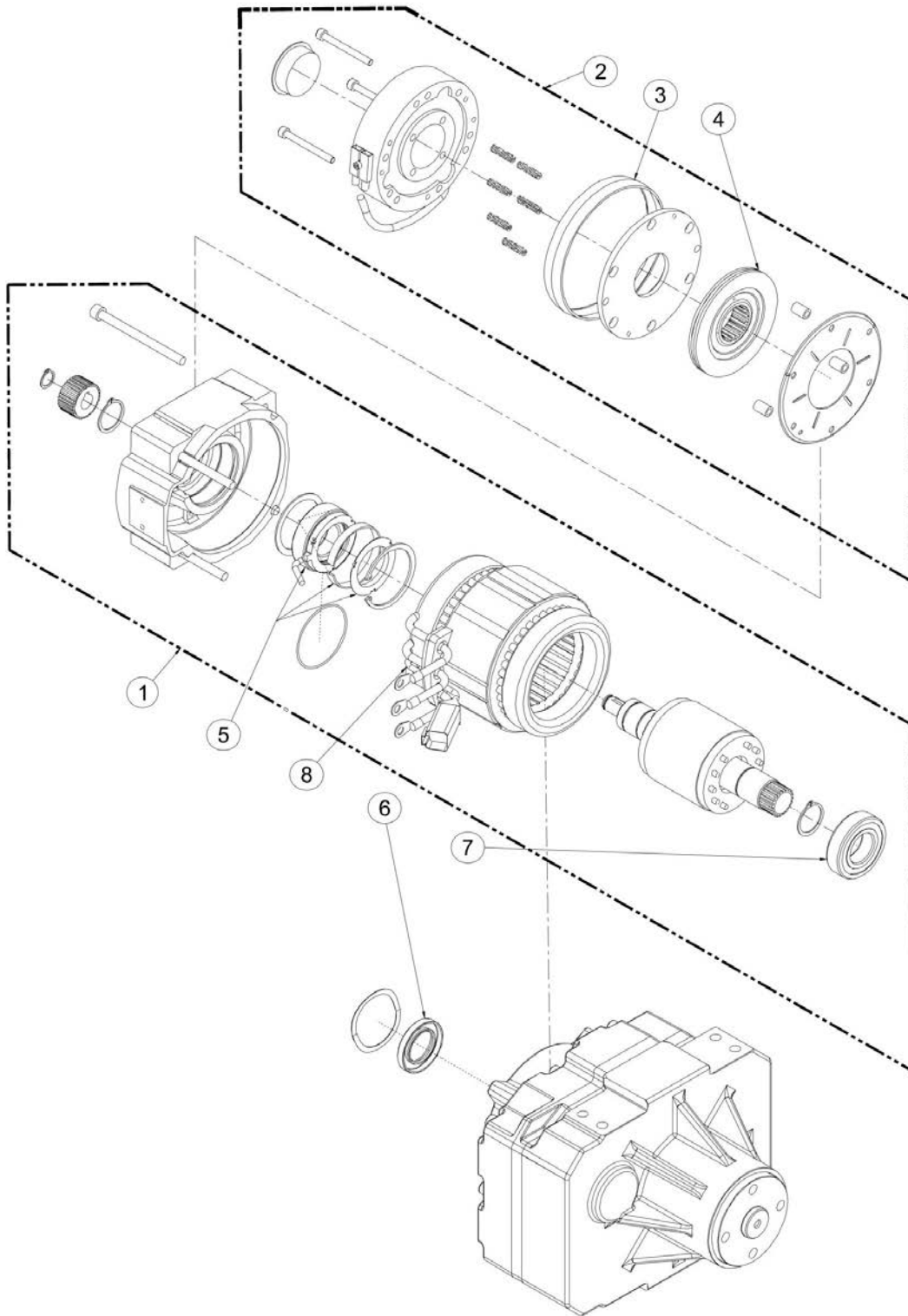
## SECTION 2 - FRAME INSTALL / INSTALLATION CHASSIS

**FIGURE 2-2. STEERING WHEEL HUB / MOYEU ROUE DIRECTRICE**

ITEM	PART NUMBER	QTY	DESCRIPTION	REV
	2780266		<b>HUB, STEERING WHEEL; INFO - 2780266 / MOYEU ROUE DIRECTRICE; INFO - 2780266</b>	
1	7010641	1	NUT, SLOTTED / ECROU A ENCOCHE	
2	7010642	1	PIN, COTTER 2" x 3/16" / GOUPILLE FENDUE 2" x 3/16"	
3	7012524	1	CAP, DUST / BOUCHON	
4	7019697	1	WASHER / RONDELLE	
5	7026183	1	BEARING, CONE - OUTER / ROULEMENT CONIQUE EXTERIEUR	
6	7026184	1	SEAL / JOINT	
7	7026185	1	BEARING, CONE - INNER / ROULEMENT CONIQUE INTERIEUR	
8	Not Available	1	ORDER THE COMPLETE 2780266 / COMMANDER LE 2780266 COMPLET	

## SECTION 2 - FRAME INSTALL / INSTALLATION CHASSIS

FIGURE 2-3. DRIVE GEAR MOTOR / MOTOREDUCTEUR DE ROUE



## SECTION 2 - FRAME INSTALL / INSTALLATION CHASSIS

**FIGURE 2-3. DRIVE GEAR MOTOR / MOTOREDUCTEUR DE ROUE**

ITEM	PART NUMBER	QTY	DESCRIPTION	REV
	510086		<b>DRIVE GEAR MOTOR; INFO - 510086 / MOTOREDUCTEUR DE ROUE; INFO - 510086</b>	
1	951035	1	ELECTRIC MOTOR / MOTEUR ELECTRIQUE	
2	951036	1	COMPLETE BRAKE KIT / FREIN COMPLET	
3	951037	1	RING, DUST PROTECTION / JOINT ANTI-POUSSIERE	
4	951038	1	DISC, FRICTION / DISQUE DE FREIN	
5	951039	1	ENCODER BEARING KIT / KIT ROULEMENT CODEUR	
6	951040	1	GASKET WDR 30x52x7 / JOINT A LEVRE WDR 30x52x7	
7	951041	1	BEARING 6206ZC3/HTF / ROULEMENT 6206ZC3/HTF	
8	951043	1	STATOR / STATOR	C



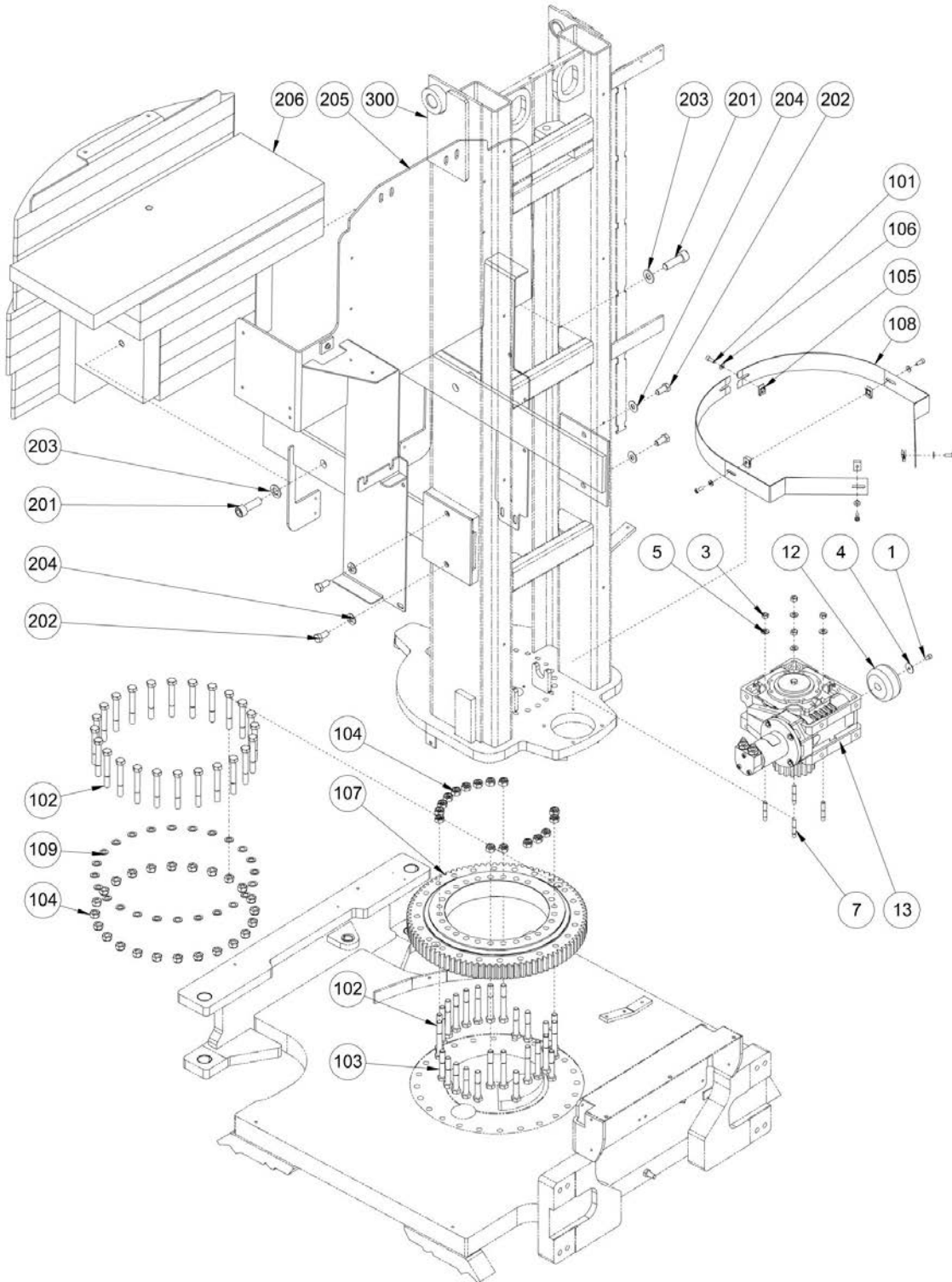


**SECTION 3 - MAST 1 INSTALL / INSTALLATION MAT 1**

**SECTION 3 - MAST 1 INSTALL / INSTALLATION MAT 1**

# SECTION 3 - MAST 1 INSTALL / INSTALLATION MAT 1

## FIGURE 3-1. MAST 1 INSTALL / INSTALLATION MAT 1



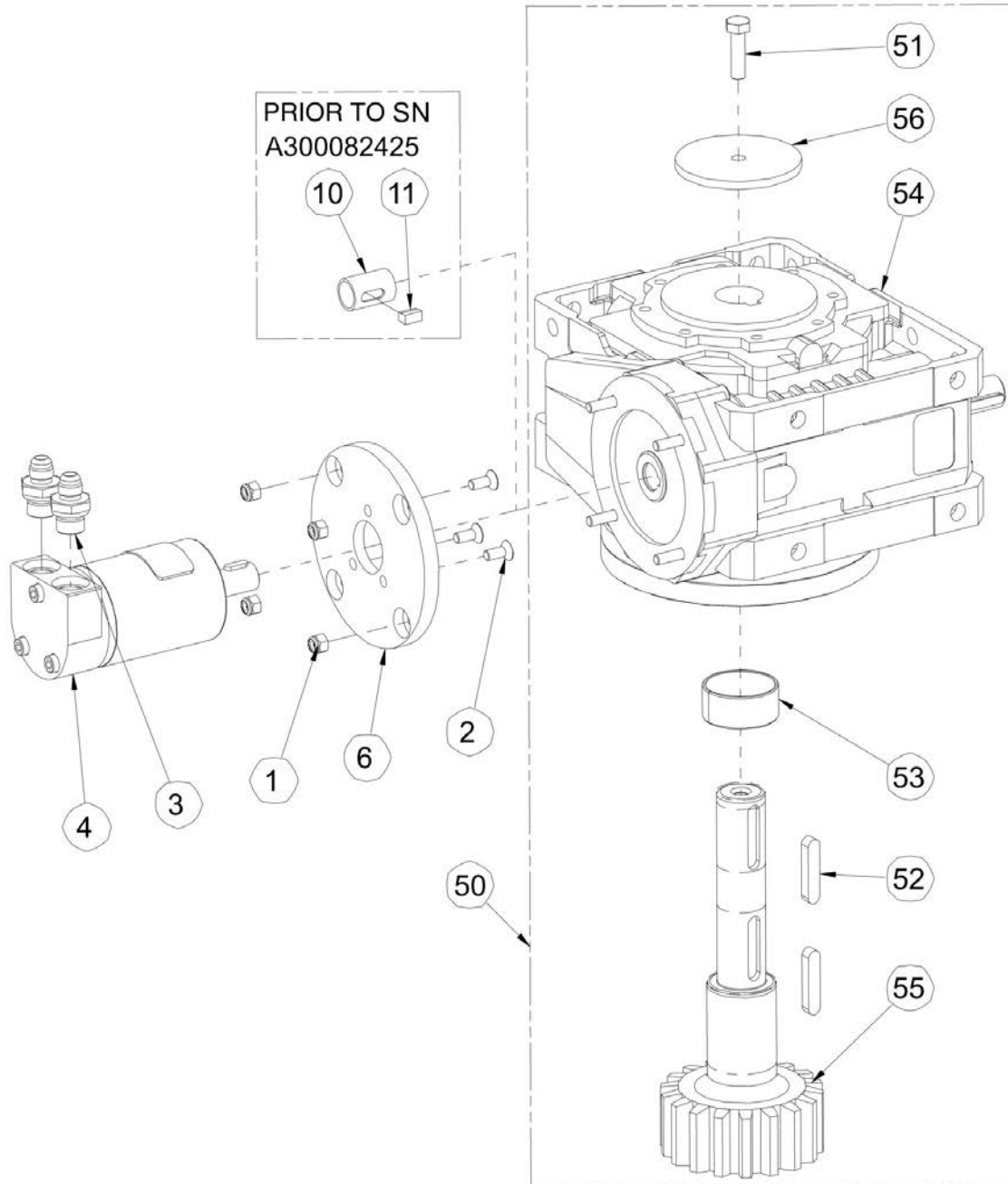
## SECTION 3 - MAST 1 INSTALL / INSTALLATION MAT 1

**FIGURE 3-1. MAST 1 INSTALL / INSTALLATION MAT 1**

ITEM	PART NUMBER	QTY	DESCRIPTION	REV
		Ref	<b>INSTALL,MAST 1; INFO - SP0955 / INSTALLATION MAT 1; INFO - SP0955</b>	B
0	SA0089	Ref	<b>INSTALL, SWING DRIVE / INSTALLATION ORIENTATION</b>	
1	000014	1	M06x12 8.8 SOCKET HEAD MACH SCREW / VIS CHC M06x12 8.8 BI FT	
3	110016	4	M08 GR08 HEX NUT / ECROU H M08 CL08 BI	
4	120004	1	dD 06x25 WASHER / RONDELLE dD 06x25x1.2 BI	
5	120010	4	dD 08x18 LOCK WASHER / RONDELLE CONTACT dD 08x18 BI	
7	130034	4	M08x40 8.8 STUD / GOUGEON M08x40 BR 8.8	
12	US0548	1	SWING WHEEL / MOLETTE DEPANNAGE ORIENTATION	
13	SE0935	1	REDUCER ASSEMBLY; INFO - SE0935 / ASSEMBLAGE REDUCTEUR; INFO - SE0935	B
100	SA0083	Ref	<b>INSTALL, TURNTABLE BEARING / INSTALLATION COURONNE D'ORIENTATION</b>	
101	000015	5	M06x16 8.8 SOCKET HEAD MACH SCREW / VIS CHC M06x16 8.8 BI FT	
102	100038	40	M12x90 10.9 HEX HEAD CAPSCREW / VIS H M12x90 10.9 BR FP	
103	100103	11	M12x70 10.9 HEX HEAD CAPSCREW / VIS H M12x70 10.9 BR FP	
104	110017	40	M12 GR10 LOCK NUT / ECROU FREIN H M12 CL10 BI	
105	110026	5	M06 CAGE HEX NUT / ECROU CAGE M06	
106	120009	5	dD 06x14 LOCK WASHER / RONDELLE CONTACT dD 06x14 BI	
107	500021	1	SLEWING RING / COURONNE D'ORIENTATION	
108	ST1380	2	TURNTABLE BEARING COVER / TOLE PROTECTION COURONNE	
109	US0190	24	dDH 13x20x02 HARDENED WASHER / RONDELLE TRAITEE dDH 13x20x02	
200	SA0077	Ref	<b>INSTALL, COUNTERWEIGHT / INSTALLATION CONTREPOIDS</b>	
201	000023	2	M16x50 8.8 SOCKET HEAD CAPSCREW / VIS CHC M16x50 8.8 BI FP	
202	100021	4	M12x25 8.8 HEX HEAD MACHINE SCREW / VIS H M12x25 8.8 BI FT	
203	120008	2	dD 16x32 LOCK WASHER / RONDELLE CONTACT dD 16x32 BI	
204	120015	4	dD 12x27 LOCK WASHER / RONDELLE CONTACT dD 12x27 BI	
205	DL0864	1	SUPPORT, COUNTERWEIGHT / SUPPORT CONTREPOIDS	
206	DL0867	1	COUNTERWEIGHT / CONTREPOIDS	
300	DL0871	1	<b>MAST 1 / MAT 1</b>	

# SECTION 3 - MAST 1 INSTALL / INSTALLATION MAT 1

## FIGURE 3-2. REDUCER ASSEMBLY / ASSEMBLAGE REDUCTEUR



## SECTION 3 - MAST 1 INSTALL / INSTALLATION MAT 1

**FIGURE 3-2. REDUCER ASSEMBLY / ASSEMBLAGE REDUCTEUR**

ITEM	PART NUMBER	QTY	DESCRIPTION	REV
	SE0935		<b>REDUCER ASSEMBLY; INFO - SE0935 / ASSEMBLAGE REDUCTEUR; INFO - SE0935</b>	
1	110003	4	M06 GR08 LOCK NUT / ECROU FREIN M6 CL08 BI	
2	130003	3	M06x16 10.9 COUNTERSUNK HEAD M. S. / VIS FHC M06x16 10.9 BI FT	
3	300040	2	FITTING MALE BSPP3/8 MALE JIC9/16 / RACCORD MALE BSPP3/8 MALE JIC9/16	
4	320049	1	SLEWING MOTOR / MOTEUR D'ORIENTATION	
6	US0044	1	MOTOR ADAPTOR FLANGE / FLASQUE MOTEUR	
10	US0363	1	SLEEVE / MANCHON <b>(Prior to SN A300082425)</b>	
11	US0364	1	KEY / CLAVETTE <b>(Prior to SN A300082425)</b>	
50	KT0152	1	<b>REDUCER KIT / KIT REDUCTEUR</b>	
51	100008	1	M08x30 8.8 HEX HEAD MACHINE SCREW / VIS H M08x30 8.8 BI FT	
52	140016	2	A KEY 8x7x40 / CLAVETTE FORME A 8x7x40	
53	150009	1	BUSHING D40 H20 / BAGUE D40 H20	
54	500043	1	REDUCER W75 UFCR1 / REDUCTEUR W75 UFCR1	
55	US0342	1	PINION / PIGNON	
56	US0429	1	dDh 8.5x73x5 WASHER / RONDELLE dDh 8.5x73x5	

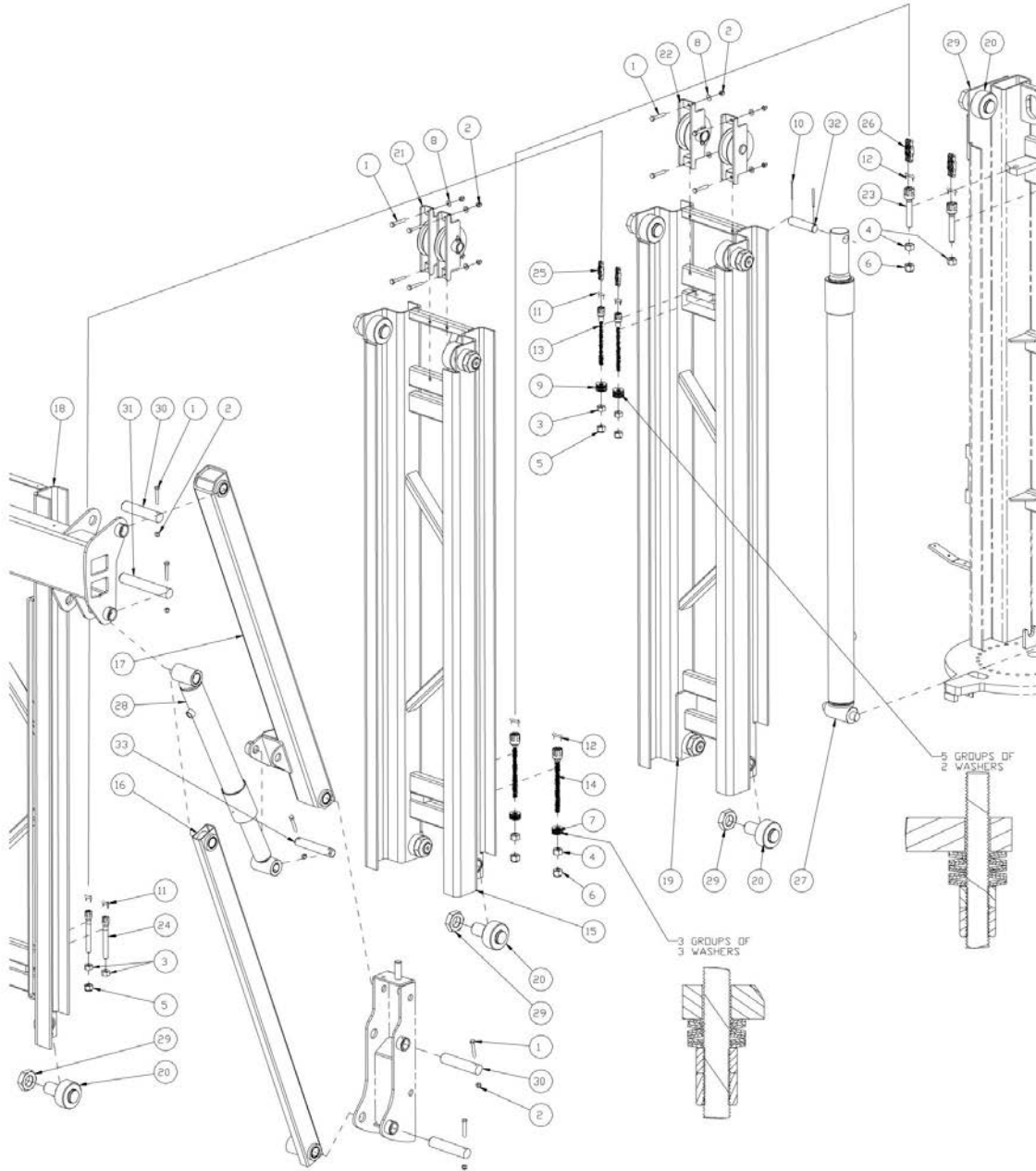


**SECTION 4 - MASTS AND BOOM INSTALL / INSTALLATION MATS ET BRAS**

**SECTION 4 - MASTS AND BOOM INSTALL / INSTALLATION MATS ET  
BRAS**

# SECTION 4 - MASTS AND BOOM INSTALL / INSTALLATION MATS ET BRAS

FIGURE 4-1. MASTS AND BOOM INSTALL / INSTALLATION MATS ET BRAS





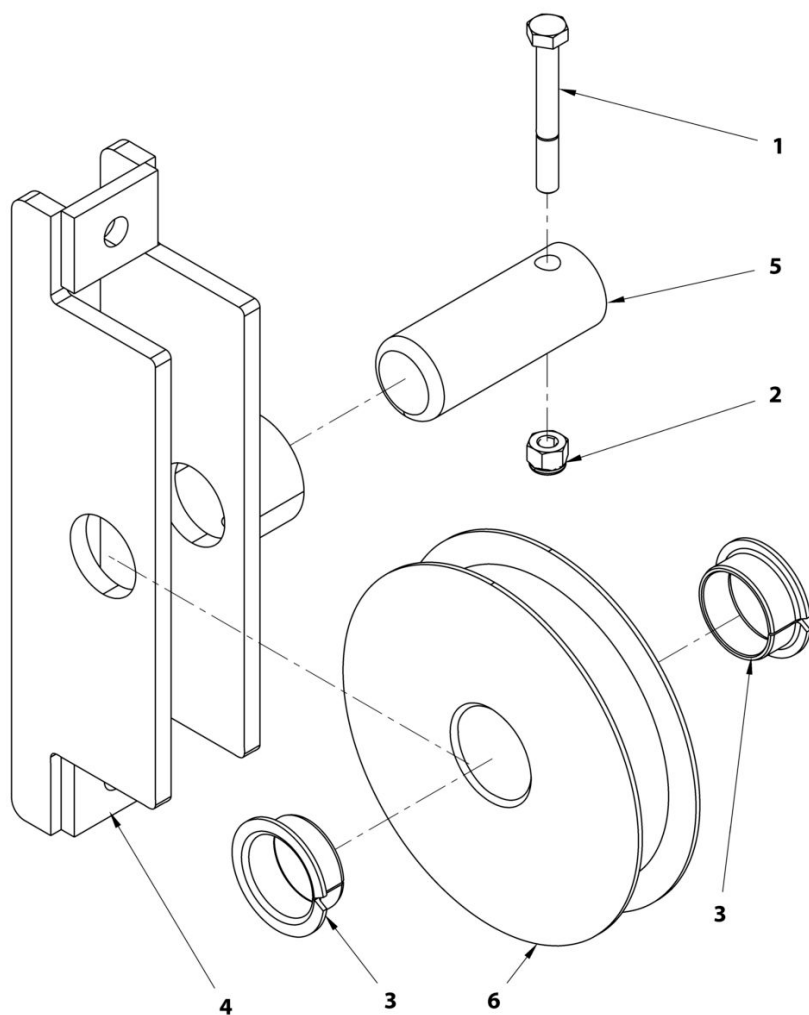
# SECTION 4 - MASTS AND BOOM INSTALL / INSTALLATION MATS ET BRAS

FIGURE 4-1. MASTS AND BOOM INSTALL / INSTALLATION MATS ET BRAS

ITEM	PART NUMBER	QTY	DESCRIPTION	REV
	SA0074		<b>MASTS / BOOM INSTALL; INFO - SA0074 / INSTALLATION MATS / BRAS; INFO - SA0074</b>	
1	100063	13	M08x50 8.8 HEX HEAD MACHINE SCREW / VIS H M08x50 8.8 BI FT	
2	110004	13	M08 GR08 LOCK NUT / ECROU FREIN M8 CL08 BI	
3	110009	4	M14 GR08 HEX NUT / ECROU H M14 CL08 BI	
4	110010	4	M16 GR08 HEX NUT / ECROU H M16 CL08 BI	
5	110019	3	M14 GR08 LOCK NUT / ECROU FREIN H M14 CL08 BI	
6	110020	3	M16 GR08 LOCK NUT / ECROU FREIN H M16 CL08 BI	
7	120006	18	BEVEL WASHER Ø34x16.3x1.5 / RONDELLE RESSORT Ø34x16.3x1.5 BR	
8	120010	8	dD 08x18 LOCK WASHER / RONDELLE CONTACT dD 08x18 BI	
9	120017	20	BEVEL WASHER Ø34x14.3x1.5 / RONDELLE RESSORT Ø34x14.3x1.5 BR	
10	140009	2	Ø4.5x50 COTTER PIN / GOUPILLE FENDUE Ø4.5x50	
11	170007	4	M14 CLEVIS PIN / AXE DE CHAPE M14	
12	170008	4	M16 CLEVIS PIN / AXE DE CHAPE M16	
13	170009	2	CHAIN ANCHOR M14 L150 / CHAPE DE CHAINE M14 L150	
14	170010	2	CHAIN ANCHOR M16 L160 / CHAPE DE CHAINE M16 L160	
15	DL0681	1	MAST 3 / MAT 3	
16	DL0839	1	ROD / BIELETTE	
16	150019	4	BUSHING Ø30 H25 DU / BAGUE Ø30 H25 DU	
17	DL0849	1	UPPER JIB / BRAS	
17	150019	4	BUSHING Ø30 H25 DU / BAGUE Ø30 H25 DU	
18	DL0863	1	MAST 4 / MAT 4	
19	DL0870	1	MAST 2 / MAT 2	
20	SE0495	12	ROLLER ASSEMBLY / ENSEMBLE GALET DE GUIDAGE	
21	SE0730	2	PULLEY ASSEMBLY LL10-44; INFO - SE0730 / ASSEMBLAGE SUPPORT POULIE LL10-44; INFO - SE0730	
22	SE0731	2	PULLEY ASSEMBLY LL12-66; INFO - SE0731 / ASSEMBLAGE SUPPORT POULIE LL12-66; INFO - SE0731	
23	ST0099	2	CHAIN ANCHOR M16 L80 / CHAPE DE CHAINE M16 L80	
24	ST0120	2	CHAIN ANCHOR M14 L90 / CHAPE DE CHAINE M14 L90	
25	ST0178	2	LL 10-44 CHAIN / CHAINE LL 10-44	
26	ST0179	2	LL 12-66 CHAIN / CHAINE LL 12-66	
27	ST3333	1	MAST CYLINDER / VERIN MAT	
27	960098	1	SEAL KIT / KIT DE JOINTS	
28	ST3391	1	BOOM CYLINDER / VERIN BRAS	
28	960097	1	SEAL KIT / KIT DE JOINTS	
28	150002	2	BUSHING Ø25 H25 DX / BAGUE Ø25 H25 DX	
28	150019	2	BUSHING D30 H25 DU / BAGUE D30 H25 DU	
29	US0026	12	M36 GR04 HEX NUT / ECROU M36 CL04 BI	
30	US0485	3	ARM-CONTROL / ARM PIN / AXE BRAS / BIELLETTE	
31	US0486	1	CYLINDER / ARM-CONTROL PIN / AXE VERIN / BIELLETTE	
32	US0538	1	PIN, D25-L100-2d5 / AXE D25 - L100 - 2d5	
33	US0546	1	PIN D25 L146 / AXE D25 L146	

# SECTION 4 - MASTS AND BOOM INSTALL / INSTALLATION MATS ET BRAS

## FIGURE 4-2. LL10-44 PULEY ASSEMBLY / ASSEMBLAGE SUPPORT POUILLIE LL10-44



ART. 560730

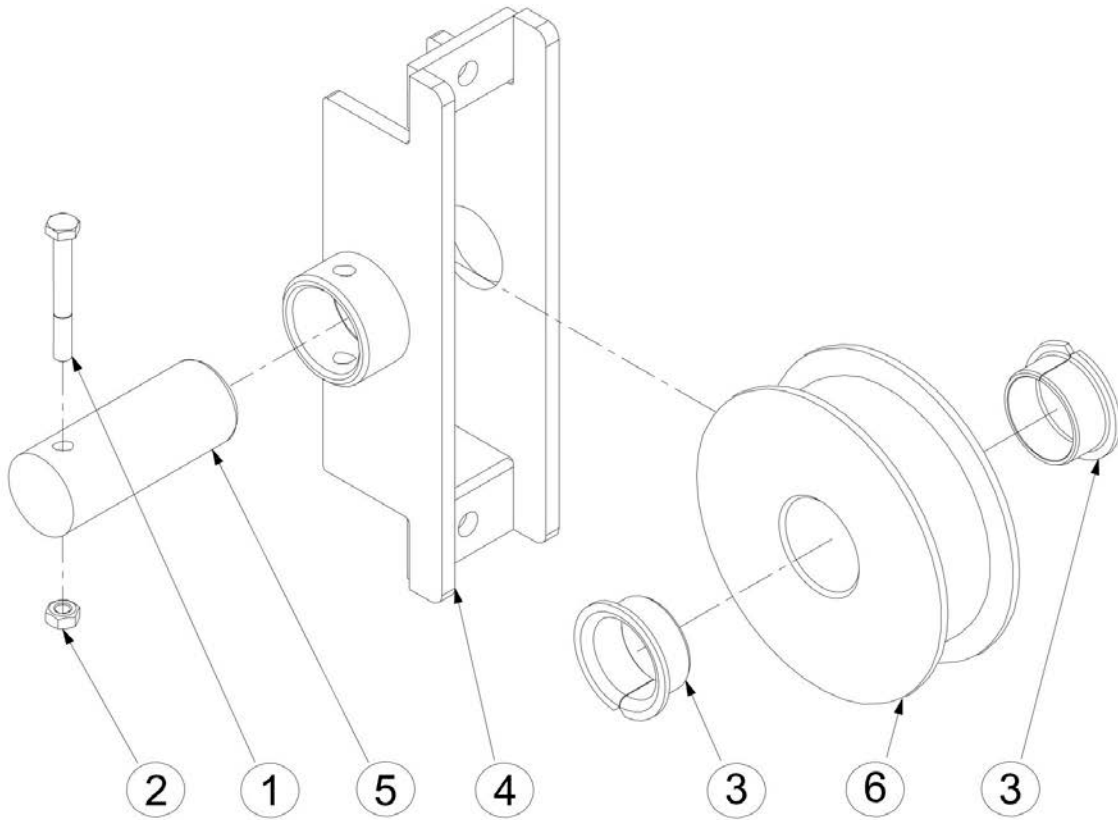
## SECTION 4 - MASTS AND BOOM INSTALL / INSTALLATION MATS ET BRAS

FIGURE 4-2. LL10-44 PULEY ASSEMBLY / ASSEMBLAGE SUPPORT POULLIE LL10-44

ITEM	PART NUMBER	QTY	DESCRIPTION	REV
	SE0730		<b>PULLEY ASSEMBLY LL10-44; INFO - SE0730 / ASSEMBLAGE SUPPORT POULIE LL10-44; INFO - SE0730</b>	
1	100013	1	M06x50 8.8 HEX HEAD CAPSCREW / VIS H M06x50 8.8 BI FP	
2	110003	1	M06 GR.08 LOCK NUT / ECROU FREIN M6 CL08 BI	
3	150011	2	FLANGE BUSHING D25 H11.5 DU / BAGUE EPAULEE D25 H11.5 DU	
4	SD0453	1	PULLEY MOUNT / SUPPORT POULIE	
5	US0377	1	PULLEY PIN / AXE DE SUPPORT POULIE	
6	US0475	1	LL10-44 PULLEY / POULIE LL10-44	

# SECTION 4 - MASTS AND BOOM INSTALL / INSTALLATION MATS ET BRAS

FIGURE 4-3. LL12-66 PULEY ASSEMBLY / ASSEMBLAGE SUPPORT POULIE



## SECTION 4 - MASTS AND BOOM INSTALL / INSTALLATION MATS ET BRAS

**FIGURE 4-3. LL12-66 PULEY ASSEMBLY / ASSEMBLAGE SUPPORT POULIE**

ITEM	PART NUMBER	QTY	DESCRIPTION	REV
	SE0731		<b>PULLEY SUPPORT LL12-66 / SUPPORT POULIE LL12-66</b>	
1	100013	1	M06x50 8.8 HEX HEAD CAPSCREW / VIS H M06x50 8.8 BI FP	
2	110003	1	M06 GR08 LOCK NUT / ECROU FREIN M6 CL08 BI	
3	150007	2	FLANGE BUSHING Ø30 H16 DU / BAGUE EPAULEE Ø30 H16 DU	
4	SD0452	1	PULLEY MOUNT / SUPPORT POULIE	
5	US0375	1	PULLEY PIN / AXE DE SUPPORT POULIE	
6	US0479	1	LL12-66 PULLEY / POULIE LL12-66	

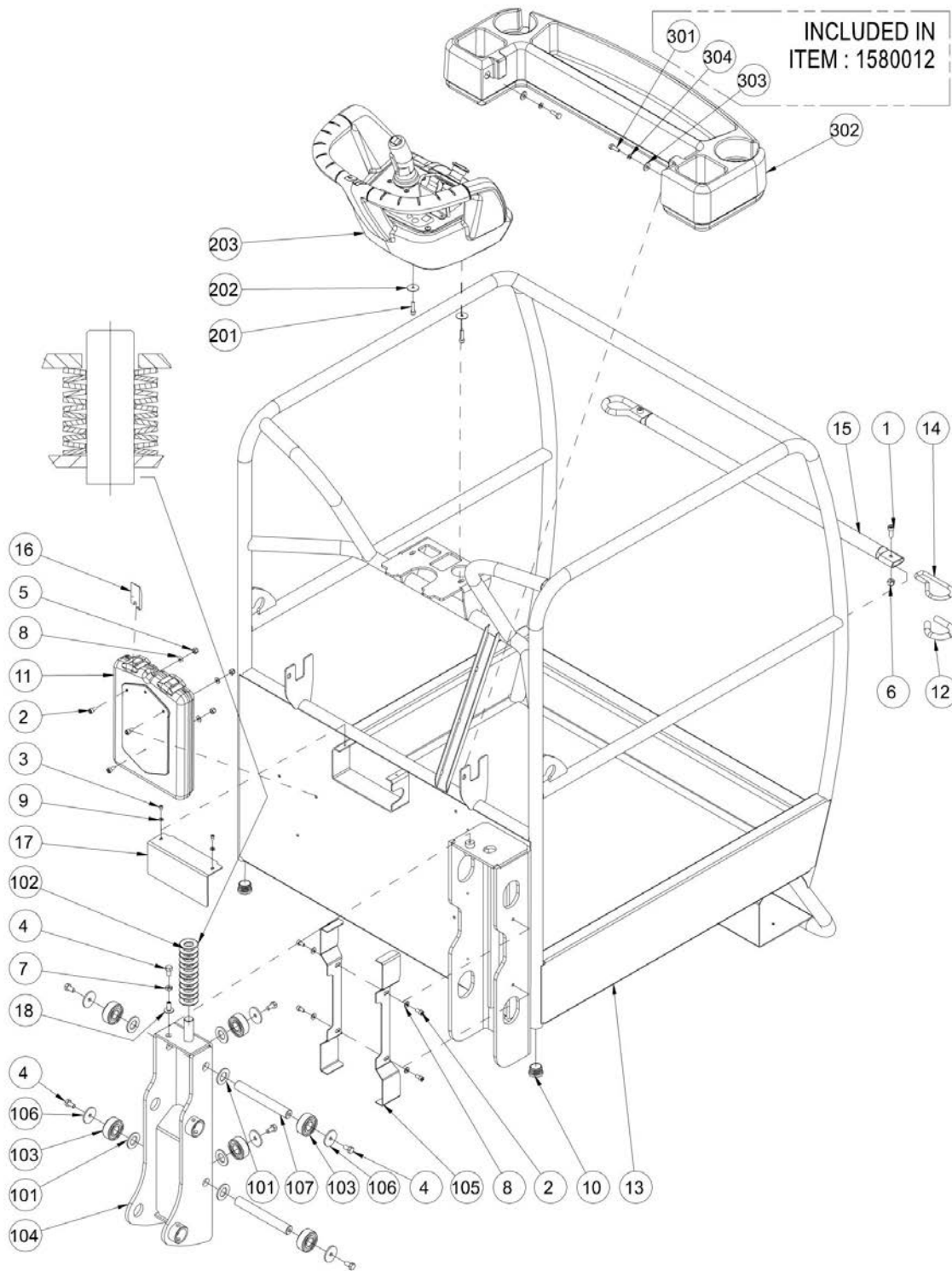


## **SECTION 5 - PLATFORM INSTALL / INSTALLATION PLATE-FORME**

## **SECTION 5 - PLATFORM INSTALL / INSTALLATION PLATE-FORME**

# SECTION 5 - PLATFORM INSTALL / INSTALLATION PLATE-FORME

FIGURE 5-1. T8E - PLATFORM INSTALL WITH LSS / T8E - INSTALLATION COMPLETE PLATE-FORME AVEC SURCHARGE





## SECTION 5 - PLATFORM INSTALL / INSTALLATION PLATE-FORME

**FIGURE 5-1. T8E - PLATFORM INSTALL WITH LSS / T8E - INSTALLATION COMPLETE PLATE-FORME AVEC SURCHARGE**

ITEM	PART NUMBER	QTY	DESCRIPTION	REV
		Ref	<b>T8E PLATFORM INSTALL WITH LSS; INFO - SP0956 / INSTALLATION PLATE-FORME T8E AVEC SURCHARGE; INFO - SP0956</b>	B
0	SA0080	Ref	<b>INSTALL, T8E PLATFORM / INSTALLATION PLATE-FORME T8E</b>	
1	000006	2	M08x20 8.8 SOCKET HEAD MACH SCREW / VIS CHC M08x20 8.8 BI FT	
2	000014	3	M06x12 8.8 SOCKET HEAD MACH SCREW / VIS CHC M06x12 8.8 BI FT	
3	000090	2	M04x08 8.8 SOCKET HEAD MACH SCREW / VIS CHC M04x08 8.8 BI FT	
4	100054	1	M08x16 8.8 HEX HEAD MACHINE SCREW / VIS H M08x16 8.8 BI FT	
5	110003	3	M06 GR08 LOCK NUT / ECROU FREIN M6 CL08 BI	
6	110004	2	M08 GR08 LOCK NUT / ECROU FREIN M8 CL08 BI	
7	110022	1	M08 GR04 FLAT HEX NUT / ECROU Hm M08 CL04 ZI	
8	120009	3	dD 06x14 LOCK WASHER / RONDELLE CONTACT dD 06x14 BI	
9	120024	2	M4 LOCK WASHER / RONDELLE CONTACT M4 BI	
10	400048	2	CAP D30 / BOUCHON D30	
11	8990147	1	HOLDER, MANUAL / BOITE PORTE-DOCUMENTS	
12	280023	2 x0.18	PROTECTION SLEEVE (quantity in meter) / GAINÉ DE PROTECTION (qté en mètre)	
13	DL0869	1	PLATFORM, T8E STANDARD / PLATE-FORME T8E STANDARD	
14	ST0736	2	SLIDING GATE LOOP / ANNEAU PORTILLON	
15	ST0763	1	PLATFORM SLIDING GATE / PORTILLON	
16	ST2741	1	SENSOR CONTROL TOOL / CALE DE VERIFICATION	
17	ST3414	1	SHIELD, COVER CONNECTORS / CARTER DE PROTECTION CONNECTEURS	
18	US0236	1	SETTING SCREW / VIS DE REGLAGE	
100	SA0078	Ref	<b>INSTALL, PLATFORM SUPPORT / INSTALLATION SUPPORT PLATE-FORME</b>	
2	000014	4	M06x12 8.8 SOCKET HEAD MACH SCREW / VIS CHC M06x12 8.8 BI FT	
4	100054	6	M08x16 8.8 HEX HEAD MACHINE SCREW / VIS H M08x16 8.8 BI FT	
8	120009	4	dD 06x14 LOCK WASHER / RONDELLE CONTACT dD 06x14 BI	
101	120003	6	Ø20x37x3 WASHER / RONDELLE Ø20x37x3 BI	
102	120018	12	BEVEL WASHER Ø40x20.4x2 / RONDELLE RESSORT 40x20.4x2 BR	
103	150052	6	4204 BEARING / ROULEMENT 4204	
104	DL0868	1	SUPPORT, OVERLOAD DEVICE / SUPPORT SURCHARGE	
105	ST3299	2	BEARINGS COVER / CAPOT ROULEMENTS	
106	US0531	6	WASHER, ID8xOD37xTH3 / RONDELLE Di 8xDe 37xEP 3	
107	US0543	2	BEARINGS SUPPORT PIN / AXE SUPPORT ROULEMENTS	
200	SA0015	Ref	<b>INSTALL, UPPER CONTROL BOX / INSTALLATION BOITIER HAUT</b>	
201	000008	2	M06x25 8.8 SOCKET HEAD MACH SCREW / VIS CHC M06x25 8.8 BI FT	
202	120004	2	dD 06x25 WASHER / RONDELLE dD 06x25x1.2 BI	
203	SE0923	1	PLATFORM CONSOLE / BOITIER HAUT (Prior to SN	B

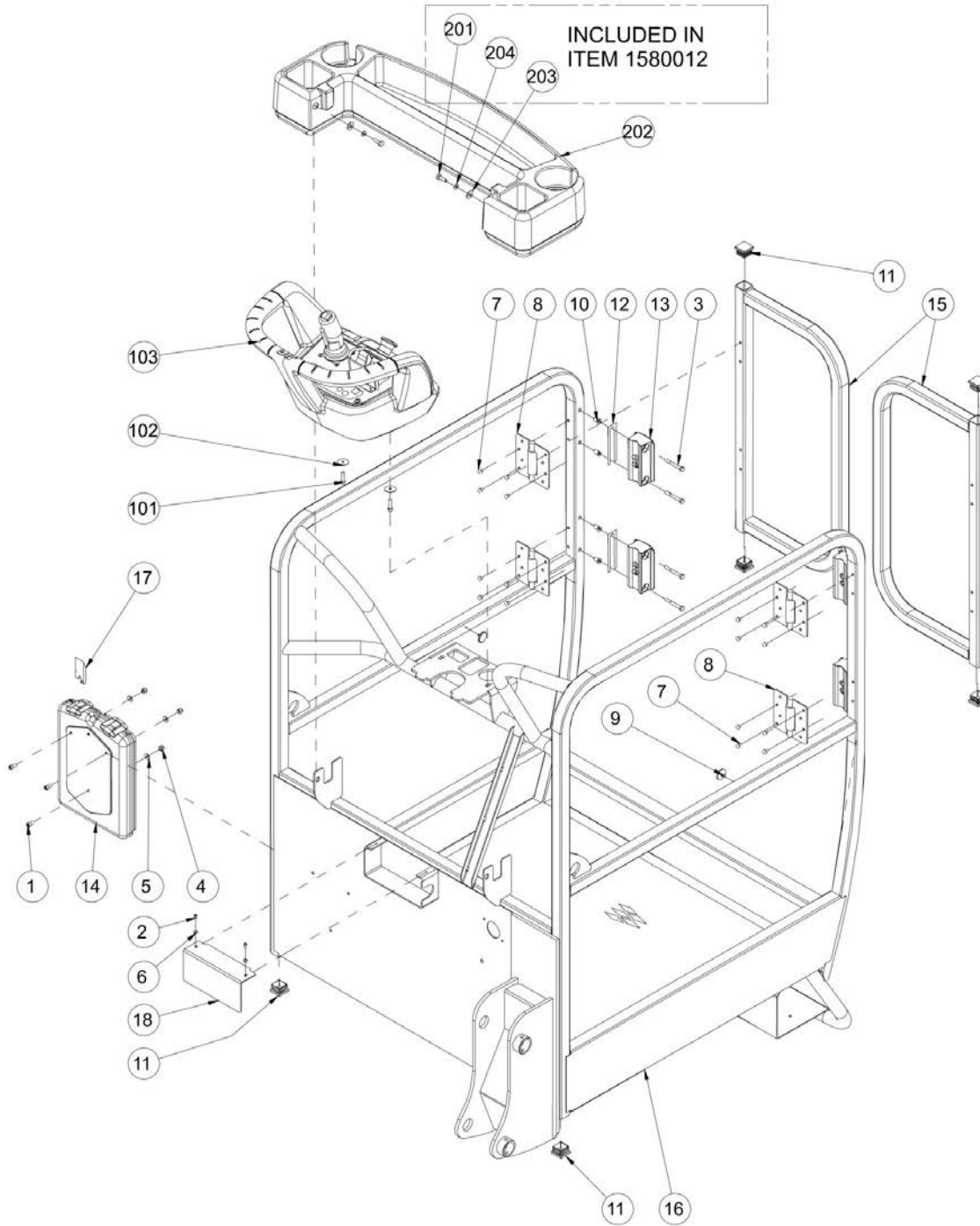
## SECTION 5 - PLATFORM INSTALL / INSTALLATION PLATE-FORME

ITEM	PART NUMBER	QTY	DESCRIPTION	REV
203	SE1201	1	<b>A300053008)</b> PLATFORM CONSOLE / BOITIER HAUT (SN A300053008 to Present)	B
300	SA0020	Ref	<b>INSTALL, CONTAINER STORAGE TRAY / INSTALLATION BOITE A OUTILS</b>	
301	0641406	2	HEX HD CAPSCREW, 1/4-20 x 3/4 LG / VIS H 1/4-20 x 3/4 LG	
302	1580012	1	CONTAINER, STORAGE TRAY / BOITE A OUTILS	
303	4751400	2	WASHER, 1/4" DIA PLAIN STL., WIDE / RONDELLE LARGE D 1/4"	
304	4761400	2	WASHER, 1/4" DIA ZINC PLT LOCK / RONDELLE FREIN D1/4" BI	



# SECTION 5 - PLATFORM INSTALL / INSTALLATION PLATE-FORME

FIGURE 5-2. T20E - PLATFORM INSTALL WITHOUT LSS / T20E - INSTALLATION COMPLETE PLATE-FORME SANS SURCHARGE



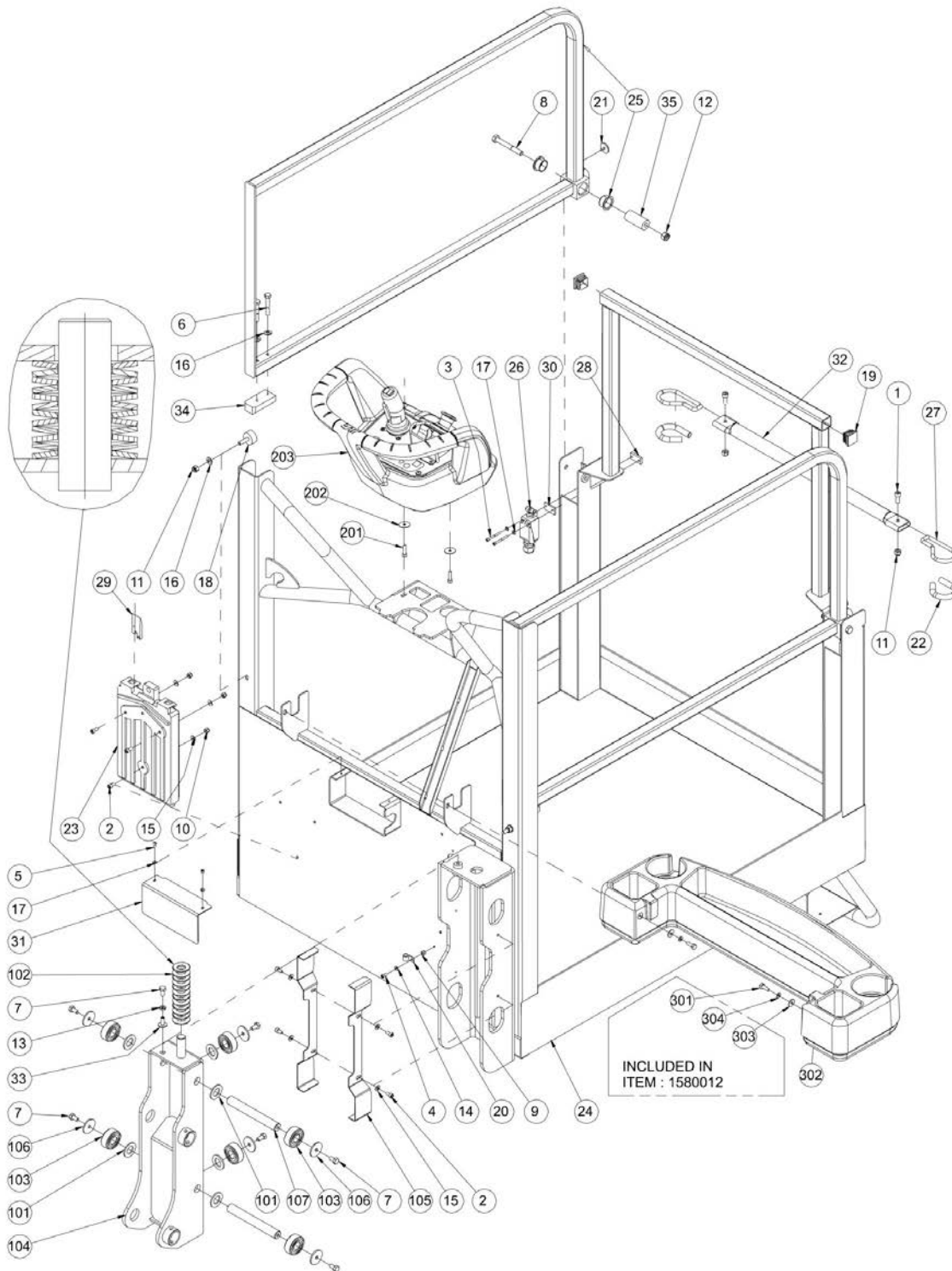
## SECTION 5 - PLATFORM INSTALL / INSTALLATION PLATE-FORME

**FIGURE 5-2. T20E - PLATFORM INSTALL WITHOUT LSS / T20E - INSTALLATION COMPLETE PLATE-FORME SANS SURCHARGE**

ITEM	PART NUMBER	QTY	DESCRIPTION	REV
		Ref	<b>INSTALL, COMPLETE PLATFORM WITHOUT LSS; INFO - SP0960 / INSTALLATION COMPLETE PLATEFORME SANS SURCHARGE; INFO - SP0960</b>	B
0	SA0100	Ref	<b>INSTALL, PLATFORM WITHOUT LSS / INSTALLATION PLATE-FORME SANS SURCHARGE</b>	
1	000014	3	M06x12 8.8 SOCKET HEAD MACH SCREW / VIS CHC M06x12 8.8 BI FT	
2	000090	2	M04x08 8.8 SOCKET HEAD MACH SCREW / VIS CHC M04x08 8.8 BI FT	
3	100013	8	M06x50 8.8 HEX HEAD CAPSCREW / VIS H M06x50 8.8 BI FP	
4	110003	3	M06 GR08 LOCK NUT / ECROU FREIN M6 CL08 BI	
5	120009	3	dD 06x14 LOCK WASHER / RONDELLE CONTACT dD 06x14 BI	
6	120024	2	M4 LOCK WASHER / RONDELLE CONTACT M4 BI	
7	2080040	16	FASTENER, BLIND / ATTACHE, BORGNE	
8	2600281	4	HINGE, SELF CLOSING STAINLESS / CHARNIERE INOX FERMETURE AUTO	
9	3340962	2	PAD, ARM REST / BUTEE D'ARRET	
10	3820037	8	RIVET, NUT M6 / ECROU RIVET M6	
11	400099	6	CAP, 30x30 / BOUCHON 30x30	
12	4071095	4	SHIM, SSV-10 PLATFORM GATE / CALE D'ARRET PORTE PLATE-FORME	
13	4220309	4	STOP SWING GATE / BUTEE, PORTE PLATE-FORME	
14	8990147	1	HOLDER, MANUAL / BOITE PORTE-DOCUMENTS	
15	DL0862	2	PLATFORM, GATE / PORTILLON	
16	DL0876	1	PLATFORM WELDMENT / STRUCTURE PLATE-FORME	
17	ST2741	1	SENSOR CONTROL TOOL / CALE DE VERIFICATION	
18	ST3414	1	PLATE, CONNECTOR BOX COVER / CARTER CONNECTEURS BOITIER	
100	SA0015	Ref	<b>INSTALL, UPPER CONTROL BOX / INSTALLATION BOITIER HAUT</b>	
101	000008	2	M06x25 8.8 SOCKET HEAD MACH SCREW / VIS CHC M06x25 8.8 BI FT	
102	120004	2	dD 06x25 WASHER / RONDELLE dD 06x25x1.2 BI	
103	SE0923	1	PLATFORM CONSOLE / BOITIER HAUT ( <b>Prior to SN A300053008</b> )	B
103	SE1201	1	PLATFORM CONSOLE / BOITIER HAUT ( <b>SN A300053008 to Present</b> )	B
200	SA0020	Ref	<b>INSTALL, CONTAINER STORAGE TRAY / INSTALLATION BOITE A OUTILS</b>	
201	0641406	2	HEX HD CAPSCREW, 1/4-20 x 3/4 LG / VIS H 1/4-20 x 3/4 LG	
202	1580012	1	CONTAINER, STORAGE TRAY / BOITE A OUTILS	
203	4751400	2	WASHER, 1/4" DIA PLAIN STL., WIDE / RONDELLE LARGE D 1/4"	
204	4761400	2	WASHER, 1/4" DIA ZINC PLT LOCK / RONDELLE FREIN D1/4" BI	

# SECTION 5 - PLATFORM INSTALL / INSTALLATION PLATE-FORME

FIGURE 5-3. T8E XL - PLATFORM INSTALL WITH LSS / T8E XL - INSTALLATION COMPLETE PLATE-FORME AVEC SURCHARGE



## SECTION 5 - PLATFORM INSTALL / INSTALLATION PLATE-FORME

**FIGURE 5-3. T8E XL - PLATFORM INSTALL WITH LSS / T8E XL - INSTALLATION COMPLETE PLATE-FORME AVEC SURCHARGE**

ITEM	PART NUMBER	QTY	DESCRIPTION	REV
		Ref	<b>T8E XL PLATFORM INSTALL WITH LSS; INFO - SP0959 / INSTALLATION PLATE-FORME T8E XL AVEC SURCHARGE; INFO - SP0959</b>	B
0	SA0081	Ref	<b>INSTALL, T8E XL PLATFORM / INSTALLATION PLATE-FORME T8E XL</b>	
1	000006	2	M08x20 8.8 SOCKET HEAD MACH SCREW / VIS CHC M08x20 8.8 BI FT	
2	000014	3	M06x12 8.8 SOCKET HEAD MACH SCREW / VIS CHC M06x12 8.8 BI FT	
3	000032	4	M04x40 8.8 SOCKET HEAD CAPSCREW / VIS CHC M04x40 8.8 ZI FP	
4	000067	1	M05x12 8.8 SOCKET HEAD MACH SCREW / VIS CHC M05x12 8.8 BI FT	
5	000090	2	M04x08 8.8 SOCKET HEAD MACH SCREW / VIS CHC M04x08 8.8 BI FT	
6	100007	4	M08x50 8.8 HEX HEAD CAPSCREW / VIS H M08x50 8.8 BI FP	
7	100054	1	M08x16 8.8 HEX HEAD MACHINE SCREW / VIS H M08x16 8.8 BI FT	
8	100091	2	M10x80 8.8 HEX HEAD CAPSCREW / VIS H M10x80 8.8 BI FP	
9	110002	1	M05 GR08 LOCK NUT / ECROU FREIN M5 CL08 BI	
10	110003	3	M06 GR08 LOCK NUT / ECROU FREIN M6 CL08 BI	
11	110004	4	M08 GR08 LOCK NUT / ECROU FREIN M8 CL08 BI	
12	110005	2	M10 GR08 LOCK NUT / ECROU FREIN M10 CL08 BI	
13	110022	1	M08 GR04 FLAT HEX NUT / ECROU Hm M08 CL04 ZI	
14	120002	1	M05 WASHER / RONDELLE M05 BI	
15	120009	3	dD 06x14 LOCK WASHER / RONDELLE CONTACT dD 06x14 BI	
16	120010	6	dD 08x18 LOCK WASHER / RONDELLE CONTACT dD 08x18 BI	
17	120024	6	M4 LOCK WASHER / RONDELLE CONTACT M4 BI	
18	400015	2	BUMPER / BUTEE ELASTIQUE	
19	400099	2	CAP, 30x30 / BOUCHON 30x30	
20	1321293	1	CLAMP, INSULATED BAND / COLLIER ISOLE	
21	3340962	2	PAD, ARM REST / BUTEE D'ARRET	
22	280023	2 x0.18	PROTECTION SLEEVE (quantity in meter) / GAINÉ DE PROTECTION (qté en mètre)	
23	8990147	1	HOLDER, MANUAL / BOITE PORTE-DOCUMENTS	
24	DL0872	1	PLATFORM, T8E XL / PLATE-FORME T8E XL	
25	DL0874	2	GATE, XL PLATFORM / PORTE PLATE-FORME XL	
25	150039	4	FLANGE BUSHING Ø25 H16.5 DU / BAGUE EPAULEE Ø25 H16.5 DU	
26	PC0531	2	LOOM, GATE LIMIT SWITCH / FAISCEAU CAPTEUR DE PORTE	
26	210018	1	GLAND N°11 / PRESSE ETOUPE N°11	
26	260324	1	SWITCH / CAPTEUR	
26	270022	3.08	CABLE 3x1mm <sup>2</sup> (quantity indicated in meter) / CABLE 3x1mm <sup>2</sup> (qté indiquée en mètre)	
26	4460465	3	CONTACT DEUTSCH DT SOCKET / CONTACT DEUTSCH DT FEMELLE	
26	4460539	1	CONNECTOR, DEUTSCH DT 3P PLUG / CONNECTEUR DEUTSCH DT 3P MALE	
27	ST0736	2	SLIDING GATE LOOP / ANNEAU PORTILLON	
28	ST1971	2	STEERING SWITCH PLATE / CONTRE PLAQUE CAPTEUR DIRECTION	

## SECTION 5 - PLATFORM INSTALL / INSTALLATION PLATE-FORME

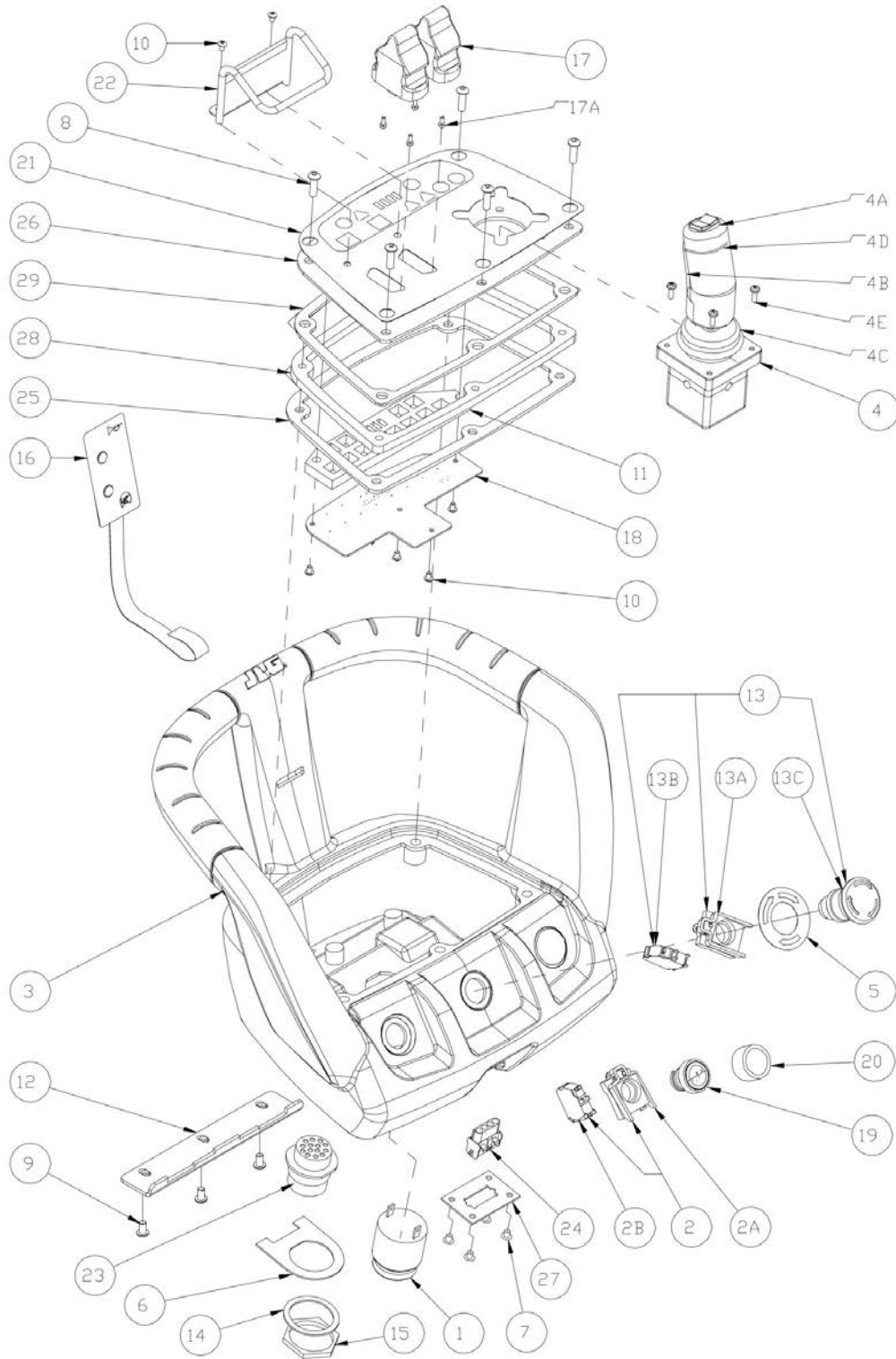
ITEM	PART NUMBER	QTY	DESCRIPTION	REV
29	ST2741	1	SENSOR CONTROL TOOL / CALE DE VERIFICATION	
30	ST3139	2	SWITCH SPACER / ENTRETOISE CAPTEUR	
31	ST3414	1	SHIELD, COVER CONNECTORS / CARTER DE PROTECTION CONNECTEURS	
32	ST3449	1	PLATFORM SLIDING GATE / PORTILLON	
33	US0236	1	SETTING SCREW / VIS DE REGLAGE	
34	US0470	2	SLIDE BLOCK / PATIN	
35	US0549	2	TUBE, GATE BUSH / ENTRETOISE PORTE	
100	SA0078	Ref	<b>INSTALL, PLATFORM SUPPORT / INSTALLATION SUPPORT PLATE-FORME</b>	
2	000014	4	M06x12 8.8 SOCKET HEAD MACH SCREW / VIS CHC M06x12 8.8 BI FT	
7	100054	6	M08x16 8.8 HEX HEAD MACHINE SCREW / VIS H M08x16 8.8 BI FT	
15	120009	4	dD 06x14 LOCK WASHER / RONDELLE CONTACT dD 06x14 BI	
101	120003	6	Ø20x37x3 WASHER / RONDELLE Ø20x37x3 BI	
102	120018	12	BEVEL WASHER Ø40x20.4x2 / RONDELLE RESSORT 40x20.4x2 BR	
103	150052	6	4204 BEARING / ROULEMENT 4204	
104	DL0868	1	SUPPORT, OVERLOAD DEVICE / SUPPORT SURCHARGE	
105	ST3299	2	BEARINGS COVER / CAPOT ROULEMENTS	
106	US0531	6	WASHER, ID8xOD37xTH3 / RONDELLE Di 8xDe 37xEP 3	
107	US0543	2	BEARINGS SUPPORT PIN / AXE SUPPORT ROULEMENTS	
200	SA0015	Ref	<b>INSTALL, UPPER CONTROL BOX / INSTALLATION BOITIER HAUT</b>	
201	000008	2	M06x25 8.8 SOCKET HEAD MACH SCREW / VIS CHC M06x25 8.8 BI FT	
202	120004	2	dD 06x25 WASHER / RONDELLE dD 06x25x1.2 BI	
203	SE0923	1	PLATFORM CONSOLE / BOITIER HAUT <b>(Prior to SN A300053008)</b>	B
203	SE1201	1	PLATFORM CONSOLE / BOITIER HAUT <b>(SN A300053008 to Present)</b>	B
300	SA0020	Ref	<b>INSTALL, CONTAINER STORAGE TRAY / INSTALLATION BOITE A OUTILS</b>	
301	0641406	2	HEX HD CAPSCREW, 1/4-20 x 3/4 LG / VIS H 1/4-20 x 3/4 LG	
302	1580012	1	CONTAINER, STORAGE TRAY / BOITE A OUTILS	
303	4751400	2	WASHER, 1/4" DIA PLAIN STL., WIDE / RONDELLE LARGE D 1/4"	
304	4761400	2	WASHER, 1/4" DIA ZINC PLT LOCK / RONDELLE FREIN D1/4" BI	





# SECTION 5 - PLATFORM INSTALL / INSTALLATION PLATE-FORME

## FIGURE 5-4. PLATFORM CONSOLE ASSEMBLY / ASSEMBLAGE BOITIER HAUT



## SECTION 5 - PLATFORM INSTALL / INSTALLATION PLATE-FORME

**FIGURE 5-4. PLATFORM CONSOLE ASSEMBLY / ASSEMBLAGE BOITIER HAUT**

ITEM	PART NUMBER	QTY	DESCRIPTION	REV
	SE0923		<b>PLATFORM CONSOLE / BOITIER HAUT (Prior to SN A300053008)</b>	C
	SE1201		<b>PLATFORM CONSOLE / BOITIER HAUT (SN A300053008 to Present)</b>	C
1	0140011	1	ALARM / AVERTISSEUR SONORE	
2	240056	1	NO CONTACT BLOCK WITH HOLDER / EMBASE CONTACT NO	
2A	240076	1	SWITCH BASE / EMBASE CONTACT	
2B	240058	1	NO CONTACT BLOCK / CONTACT NO	
3	0861784	1	UPPER CONTROL BOX / BOITIER HAUT	
4	1600458	1	JOYSTICK / JOYSTICK	
4A	70000084	1	CAP, RUBBER BOOT / PROTECTION CAHOUTCHOU	
4A	7027365	1	ACTUATOR HANDLE / ACTIONNEUR A BASCULE	
4B	7027367	1	SWITCH ENABLER / CONTACT VALIDATION	
4B	7027765	1	LEVER ENABLER / GACHETTE VALIDATION	
4C	70000682	1	RUBBER BELLOWS / SOUFFLET CAHOUTCHOU	
4D	7027766	1	BOOT RETAINING RING / ANNEAU DE BLOCAGE	
4E	130062	4	M04x16 8.8 ROUND HEAD MACH SCREW / VIS BOMBEE ULF M04x16 8.8 BI FT	B
5	1706898	1	DECAL, EMERGENCY / AUTOCOLLANT ARRET D'URGENCE	
6	3575796	1	PLATE, D SLOT / PLAQUE ANTI-ROTATION	
7	3820019	4	RIVET, POP D4.75 L11.4 / RIVET POP D4.75 L11.4	
8	3900357	5	IF NOT EQUIPPED WITH REP 28 - M06x16 10.9 BUTTON HEAD MACH SCREW / SI NON EQUIPE DU REP 28 - VIS BOMBEE ULF M06x16 10.9 BI FT	
8	3900364	5	IF EQUIPPED WITH REP 28 - M06x20 10.9 BUTTON HEAD MACH SCREW / SI EQUIPE DU REP 28 - VIS BOMBEE ULF M06x20 10.9 BI FT	B
9	3900358	3	M06x10 10.9 BUTTON HEAD MACH SCREW / VIS BOMBEE ULF M06x10 10.9 BI FT	
10	3900359	6	M04x06 10.9 BUTTON HEAD MACH SCREW / VIS BOMBEE ULF M04x06 10.9 BI FT	
11	3960617	1	SEAL, FOAM GASKET / JOINT MOUSSE	
12	4340871	1	MOUNT / BRIDE RENFORT	
13	4360562	1	COMPLETE KNOB / ARRET D'URGENCE COMPLET	
13A	240076	1	SWITCH BASE / EMBASE CONTACT	
13B	240057	1	NC CONTACT BLOCK / CONTACT NF	
13C	240060	1	TURN TO RELEASE KNOB / BOUTON D'ARRET D'URGENCE 1/4 TOUR	
14	4460496	1	LOCKWASHER, DEUTSCH TERMINAL / RONDELLE CONNECTEUR DEUTSCH	
15	4460497	1	NUT, DEUTSCH TERMINAL HD30 / ECROU CONNECTEUR DEUTSCH HD30	
16	1001091989	1	MEMBRANE SWITCHES / INTERUPTEURS A MEMBRANE	
17	1001100421	2	JOYSTICK SINGLE AXIS / JOYSTICK 1 AXE	
17	70022816	2	CAP, JOYSTICK PROTECTION BOOT / CAPUCHON DE PROTECTION JOYSTICK	
17A	000093	2	M03x08 8.8 SOCKET HEAD MACH SCREW / VIS CHC M03x08 8.8 BI FT	B
18	1001109239	1	P/C BOARD WITH SOFTWARE / CARTE BOITIER HAUT PROGRAMMEE	
19	1001115919	1	SWITCH, PUSH BUTTON-ENABLE / BP DE VALIDATION	A
20	1001117177	1	SWITCH, NEOPRENE BOOT / CAPUCHON D'ETANCHEITE	A

## SECTION 5 - PLATFORM INSTALL / INSTALLATION PLATE-FORME

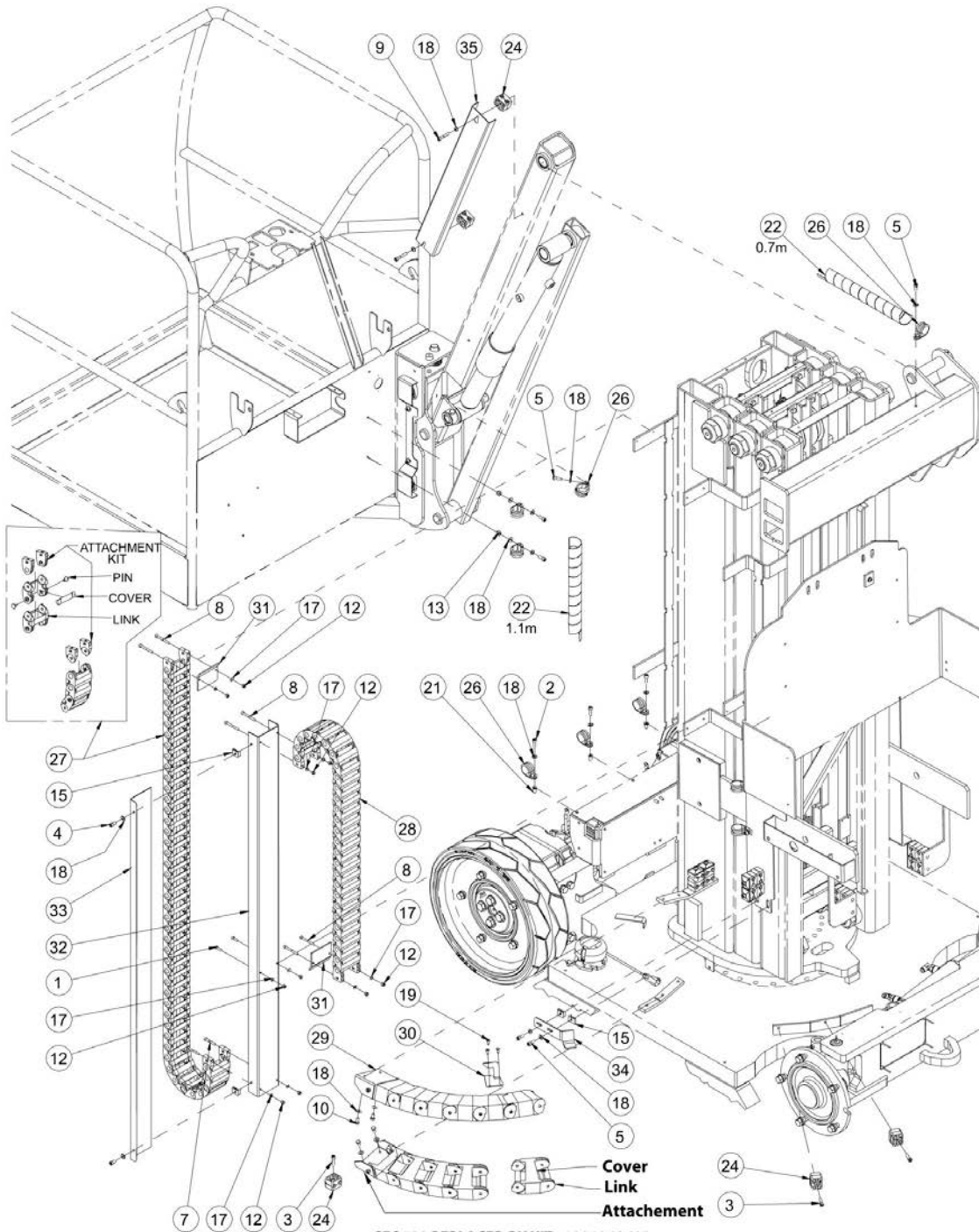
ITEM	PART NUMBER	QTY	DESCRIPTION	REV
21	AU2088	1	NEOPRENE DECAL, UPPER CONTROL BOX / AUTOCOLLANT BOITIER HAUT	
22	DL0817	1	JOYSTICK GUARD / PROTECTION JOYSTICK	
23	PC0463	1	HARNESS, UCB / FAISCEAU BOITIER HAUT <b>(Prior to SN A300053008)</b>	C
23	PC0606	1	HARNESS UCB / FAISCEAU BOITIER HAUT <b>(SN A300053008 to Present)</b>	C
24	PC0464	1	HARNESS, JOYSTICK / FAISCEAU JOYSTICK	
25	1001155328	1	SEAL, CONTROL BOX LID / JOINT FACADE BOITIER HAUT	B
26	ST3143	1	CONSOLE COVER PLATE / PLATINE BOITIER HAUT	
27	ST3312	1	PLATE, PLUG MOUNT / PLATINE MONTAGE CONNECTEUR	A
28	ST3673	1	2013 TO PRESENT - PLATE, JOYSTICK SPACER / DEPUIS 2013 - TOLE ENTRETOISE JOYSTICK	B
29	ST3674	1	2013 TO PRESENT - SEAL, JOYSTICK SPACER / DEPUIS 2013 - JOINT ENTRETOISE JOYSTICK	B

**SECTION 6 - POWER TRACKS AND CLAMPS / CHAINES PORTE-CABLES**

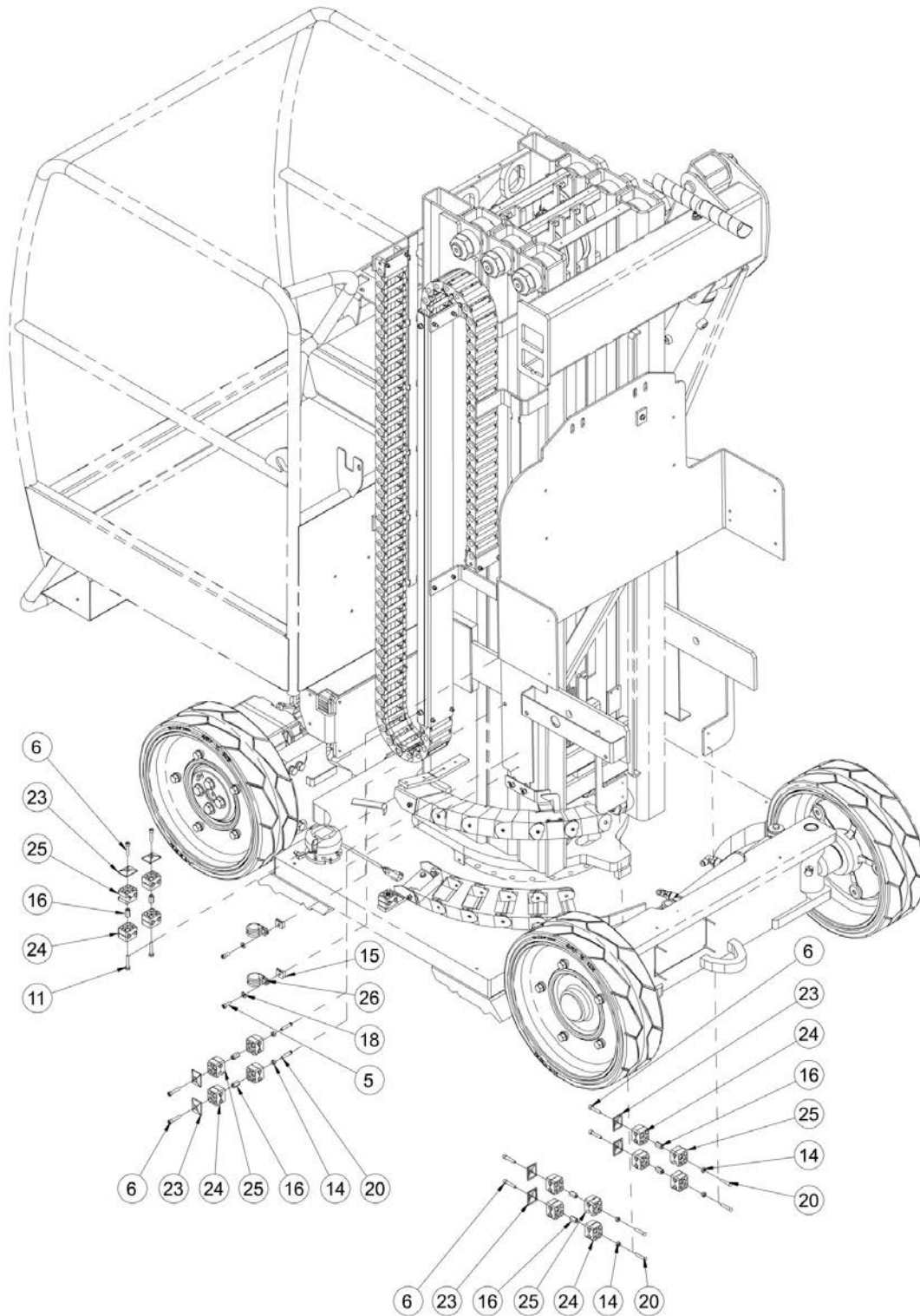
**SECTION 6 - POWER TRACKS AND CLAMPS / CHAINES PORTE-CABLES**

# SECTION 6 - POWER TRACKS AND CLAMPS / CHAINES PORTE-CABLES

FIGURE 6-1. POWER TRACKS AND CLAMPS INSTALL / INSTALLATION CHAINES PORTE-CABLES



# SECTION 6 - POWER TRACKS AND CLAMPS / CHAINES PORTE-CABLES



## SECTION 6 - POWER TRACKS AND CLAMPS / CHAINES PORTE-CABLES

FIGURE 6-1. POWER TRACKS AND CLAMPS INSTALL / INSTALLATION CHAINES PORTE-CABLES

ITEM	PART NUMBER	QTY	DESCRIPTION	REV
	SA0096		<b>INSTALL, POWER TRACKS AND CLAMPS; INFO - SA0096 / INSTALLATION CHAINES PORTE-CABLES; INFO - SA0096</b>	B
1	000003	2	M05x16 8.8 SOCKET HEAD MACH SCREW / VIS CHC M05x16 8.8 BI FT	
2	000005	3	M06x20 8.8 SOCKET HEAD MACH SCREW / VIS CHC M06x20 8.8 BI FT	
3	000008	3	M06x25 8.8 SOCKET HEAD MACH SCREW / VIS CHC M06x25 8.8 BI FT	
4	000014	2	M06x12 8.8 SOCKET HEAD MACH SCREW / VIS CHC M06x12 8.8 BI FT	
5	000015	8	M06x16 8.8 SOCKET HEAD MACH SCREW / VIS CHC M06x16 8.8 BI FT	
6	000016	8	M06x30 8.8 SOCKET HEAD MACH SCREW / VIS CHC M06x30 8.8 BI FT	
7	000030	2	M05x35 8.8 SOCKET HEAD CAPSCREW / VIS CHC M05x35 8.8 ZI FP	
8	000051	6	M05x45 8.8 SOCKET HEAD CAPSCREW / VIS CHC M05x45 8.8 BI FP	
9	000077	2	M06x35 8.8 SOCKET HEAD CAPSCREW / VIS CHC M06x35 8.8 BI FP	
10	100027	4	M06x12 8.8 HEX HEAD MACHINE SCREW / VIS H M06x12 8.8 BI FT	
11	100051	2	M06x35 8.8 HEX HEAD MACHINE SCREW / VIS H M06x35 8.8 BI FT	
12	110002	10	M05 GR08 LOCK NUT / ECROU FREIN M5 CL08 BI	
13	110003	2	M06 GR08 LOCK NUT / ECROU FREIN M6 CL08 BI	
14	110015	6	M06 GR08 HEX NUT / ECROU H M06 CL08 BI	
15	110026	6	M06 CAGE HEX NUT / ECROU CAGE M06	
16	110041	8	NUT, M6 EXTENSION / ECROU RALLONGE M6	
17	120002	10	M05 WASHER / RONDELLE M05 BI	
18	120009	21	dD 06x14 LOCK WASHER / RONDELLE CONTACT dD 06x14 BI	
19	130007	3	Ø4.8x13 SELF TAPPING SCREW / VIS AUTOTARAUDEUSE Ø4.8-13 BI	
20	130066	6	STUD, SELF CRIMPING-M06x30 / GOUJON A SERTIR M06x30	
21	3820037	3	RIVET, NUT M6 / ECROU RIVET M6	
22	400010	2	HOSE GUARD (quantity indicated in meter) / GAINÉ (quantité en mètres)	
23	400012	8	CLAMP COVER PLATE T1 / PLAQUE DE SERRAGE T1	
24	400018	17	CLAMP, TWIN D12 / COLLIER DOUBLE D12	
25	400092	4	CLAMP, TWIN D12.7 / D15 / COLLIER DOUBLE D12.7 / D15	
26	400096	9	CLAMP, SINGLE D28 mm / COLLIER D28 mm	
27	ST1326	1	POWER TRACKS / CHAINE PORTE-CABLES	
27	920042	x	POWER TRACKS LINK / MAILLON CHAINE PORTE-CABLES	
27	920045	x	POWER TRACKS PIN PG305 / AXE CHAINE PORTE-CABLE PG305	
27	920046	x	POWER TRACKS COVER / CAPOT CHAINE PORTE-CABLES	
27	920073	x	POWER TRACKS ATTACHMENT KIT SR305 / KIT ATTACHES CHAINE PORTE CBL SR305	
28	ST1327	1	POWER TRACKS / CHAINE PORTE-CABLES	
28	920042	x	POWER TRACKS LINK / MAILLON CHAINE PORTE-CABLES	
28	920045	x	POWER TRACKS PIN PG305 / AXE CHAINE PORTE-CABLE PG305	
28	920046	x	POWER TRACKS COVER / CAPOT CHAINE PORTE-CABLES	



## SECTION 6 - POWER TRACKS AND CLAMPS / CHAINES PORTE-CABLES

ITEM	PART NUMBER	QTY	DESCRIPTION	REV
28	920073	x	POWER TRACKS ATTACHMENT KIT SR305 / KIT ATTACHES CHAINE PORTE CBL SR305	
29	ST1328	1	ROTARY POWER TRACKS / CHAINE PORTE-CABLES CIRCULAIRE ( <b>Prior to SN A300056544</b> )	B
29	920002	x	ROTARY POWER TRACKS LINK / MAILLON CHAINE CIRCULAIRE ( <b>Prior to SN A300056544</b> )	B
29	920008	x	ROTARY POWER TRACKS COVER / CLIP CHAINE CIRCULAIRE ( <b>Prior to SN A300056544</b> )	B
29	1001239742	1	CIRCULAR POWER BRIDGE / CHAINE PORTE-CABLES CIRCULAIRE ( <b>SN A300056544 to Present</b> )	B
29	1001248510	x	POWER TRACK, LINK / MAILLON CHAINE CIRCULAIRE ( <b>SN A300056544 to Present</b> )	B
29	1001248511	x	POWER TRACK, COVER / CLIP CHAINE CIRCULAIRE ( <b>SN A300056544 to Present</b> )	B
29	1001248513	x	POWER TRACK, ATTACHMENT / ATTACHE CHAINE CIRCULAIRE ( <b>SN A300056544 to Present</b> )	B
30	ST3216	1	PLATE, POWER TRACK HOOK / SOUTIEN DE CHAINE PORTE-CABLES ( <b>Prior to SN A300056544</b> )	B
30	1001239741	1	PLATE, POWER TRACK HOOK / SOUTIEN DE CHAINE PORTE-CABLES ( <b>SN A300056544 to Present</b> )	B
31	ST3219	2	PLATE, CABLES KEEPER / BRIDE DE CABLES	
32	ST3440	1	SHIELD, CHANNEL / GOULOTTE	
33	ST3441	1	SHIELD CAP / COUVERCLE GOULOTTE	
34	ST3442	1	SUPPORT, POWER TRACKS / SOUTIEN DE CHAINE PORTE-CABLES	
35	ST3443	1	SHIELD, CHANNEL / GOULOTTE	

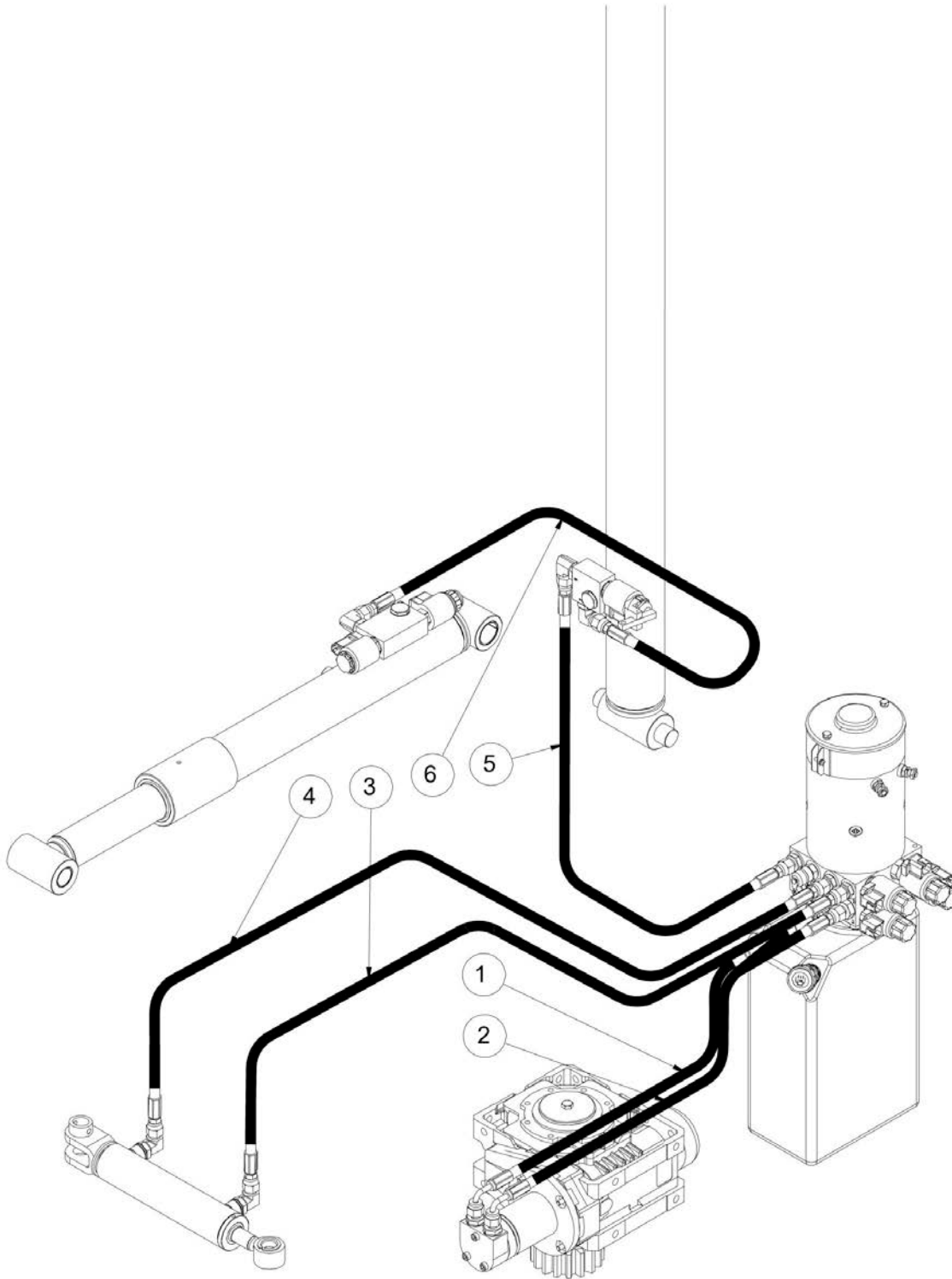


## **SECTION 7 - HYDRAULIC INSTALL / INSTALLATION HYDRAULIQUE**

## **SECTION 7 - HYDRAULIC INSTALL / INSTALLATION HYDRAULIQUE**

# SECTION 7 - HYDRAULIC INSTALL / INSTALLATION HYDRAULIQUE

FIGURE 7-1. HOSES KIT DIAGRAM / SCHEMA KIT FLEXIBLES



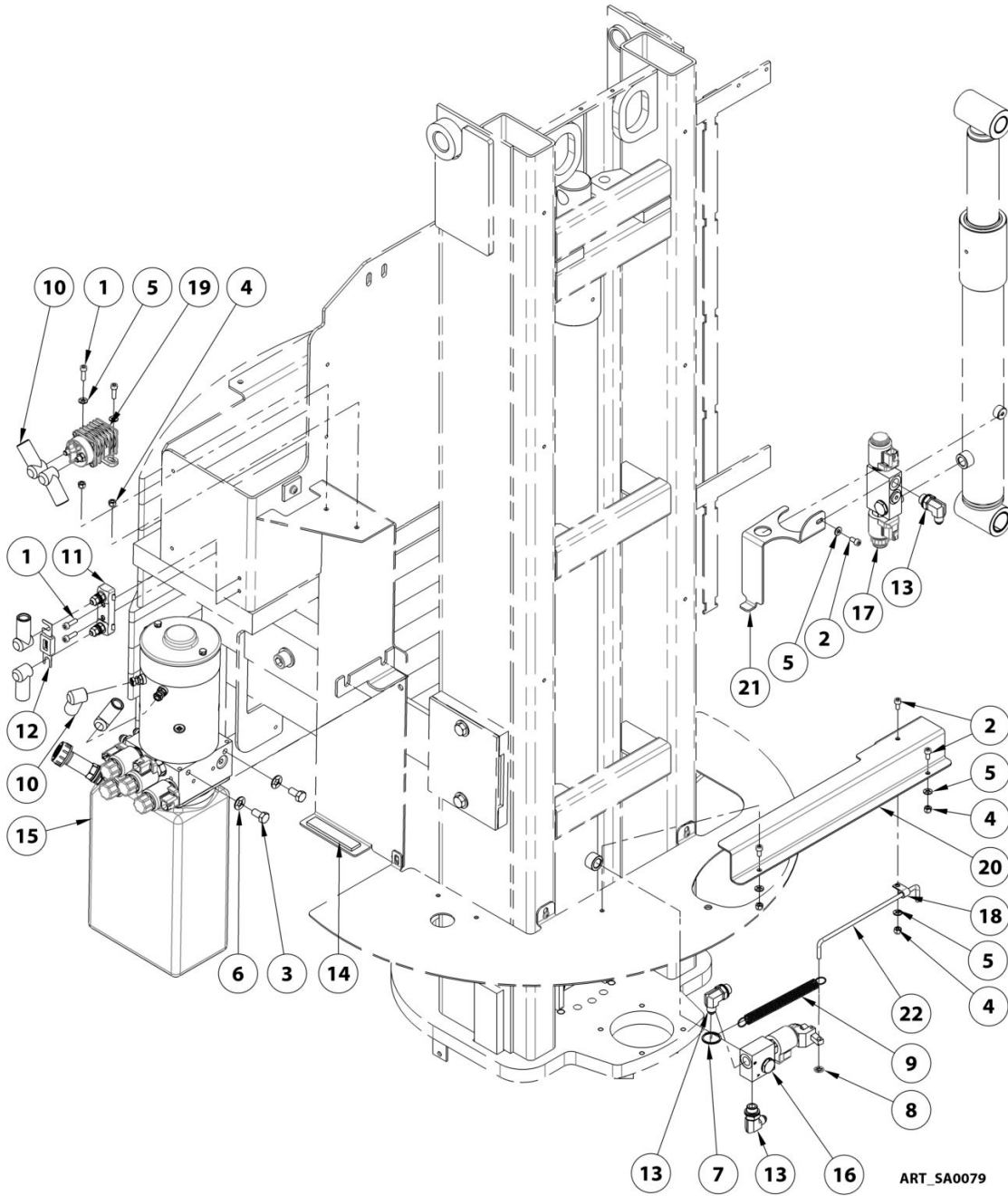
## SECTION 7 - HYDRAULIC INSTALL / INSTALLATION HYDRAULIQUE

### FIGURE 7-1. HOSES KIT DIAGRAM / SCHEMA KIT FLEXIBLES

ITEM	PART NUMBER	QTY	DESCRIPTION	REV
	KT0155		<b>HOSES KIT; INFO - KT0155 / KIT FLEXIBLES; INFO - KT0155</b>	
1	DF0981	1	HOSE 1/4-0205cm-JIC Fem 9/16-JIC Fem 9/16 90° / FLEXIBLE 1/4-0205cm-JIC Fem 9/16-JIC Fem 9/16 90°	
2	DF0982	1	HOSE 1/4-BLUE-0205cm-JIC Fem 9/16-JIC Fem 9/16 90° / FLEXIBLE 1/4-BLEU-0205cm-JIC Fem 9/16-JIC Fem 9/16 90°	
3	DF0050	1	HOSE 1/4-0450cm-JIC Fem 9/16-JIC Fem 9/16 / FLEXIBLE 1/4-0450cm-JIC Fem 9/16-JIC Fem 9/16	
4	DF0983	1	HOSE 1/4-GREEN-0430cm-JIC Fem 9/16-JIC Fem 9/16 / FLEXIBLE 1/4-VERT-0430cm-JIC Fem 9/16-JIC Fem 9/16	
5	DF0002	1	HOSE 5/16-0185cm-JIC Fem 9/16-JIC Fem 9/16 / FLEXIBLE 5/16-0185cm-JIC Fem 9/16-JIC Fem 9/16	
6	DF0984	1	HOSE 5/16-0755cm-JIC Fem 9/16-JIC Fem 9/16 / FLEXIBLE 5/16-0755cm-JIC Fem 9/16-JIC Fem 9/16	

# SECTION 7 - HYDRAULIC INSTALL / INSTALLATION HYDRAULIQUE

## FIGURE 7-2. CONTROL VALVES INSTALL / INSTALLATION DISTRIBUTEURS



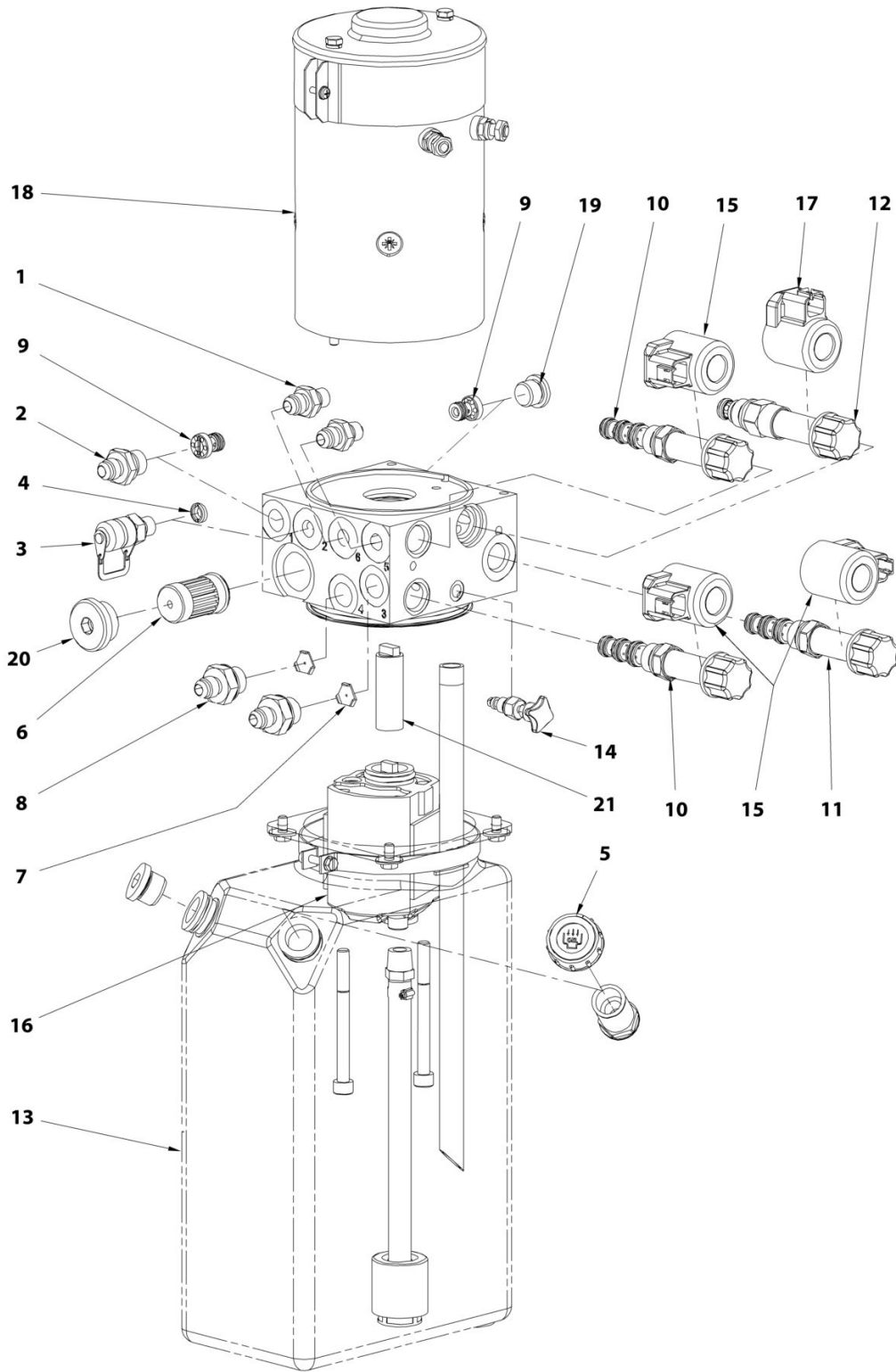
## SECTION 7 - HYDRAULIC INSTALL / INSTALLATION HYDRAULIQUE

### FIGURE 7-2. CONTROL VALVES INSTALL / INSTALLATION DISTRIBUTEURS

ITEM	PART NUMBER	QTY	DESCRIPTION	REV
0	SA0079		<b>INSTALL, CONTROL VALVES; INFO - SA0079 / INSTALLATION DISTRIBUTEURS; INFO - SA0079</b>	B
1	000005	4	M06x20 8.8 SOCKET HEAD MACH SCREW / VIS CHC M06x20 8.8 BI FT	
2	000014	4	M06x12 8.8 SOCKET HEAD MACH SCREW / VIS CHC M06x12 8.8 BI FT	
3	100156	2	M10x20 8.8 HEX HEAD MACHINE SCREW / VIS H M10x20 8.8 BI FT	
4	110003	5	M06 GR08 LOCK NUT / ECROU FREIN M6 CL08 BI	
5	120009	6	dD 06x14 LOCK WASHER / RONDELLE CONTACT dD 06x14 BI	
6	120011	2	dD 10x22 LOCK WASHER / RONDELLE CONTACT dD 10x22 BI	
7	140014	1	LOCKING PIN RING / ANNEAU INDEX	
8	140024	1	WASHER-SPEC, PUSH-ON RETAINING / RONDELLE AUTO-BLOQUANTE D6	
9	160018	1	SPRING, TRACTION 160 140 1000 I / RESSORT DE TRACTION 160 140 1000 I	
10	250031	6	TERMINAL BOOT / CAPUCHON D'ETANCHEITE	
11	260077	1	POWER FUSE HOLDER / PORTE FUSIBLE DE PUISSANCE	
12	260079	1	325A FUSE / FUSIBLE 325A	
13	300061	3	90° ELBOW MALE BSPP 3/8-MALE JIC 9/16 / COUDE 90° MALE BSPP3/8-MALE JIC9/16	
14	400098	0.1 m	RUBBER GLUED 20x5 (qty in meter) / CAHOUCHOUC ADHESIF 20x5 (en mètres)	
15	520114	1	PUMP-MOTOR-TANK ASSEMBLY, 24VDC 3KW; INFO - 520114 / GROUPE HYDRAULIQUE 24VDC 3KW; INFO - 520114	
16	520115	1	VALVE, CYL. HOLDING W/ FLOW REGUL; INFO - 520115 / DIST. VERIN AVEC REGULATEUR DE DEBIT; INFO - 520115	
17	520116	1	VALVE, CYL. HOLDING W/ FLOW REGUL; INFO - 520116 / DIST. VERIN AVEC REGULATEUR DE DEBIT; INFO - 520116	
18	1321293	1	CLAMP, INSULATED BAND / COLLIER ISOLE	
19	3740150	1	RELAY, 24VDC/100A / RELAIS, 24VDC/100A	
20	ST3412	1	LINK COVER / PROTECTION TIRETTE <b>(Prior to SN A300052840)</b>	B
20	ST3707	1	LINK COVER / PROTECTION TIRETTE <b>(SN A300052840 to Present)</b>	B
21	ST3413	1	VALVE GUARD / PROTECTION VALVE VERIN	
22	ST3416	1	LINK / TIRETTE DE SECOURS <b>(Prior to SN A300052840)</b>	B
22	ST3704	1	LINK / TIRETTE DE SECOUR <b>(SN A300052840 to Present)</b>	B

# SECTION 7 - HYDRAULIC INSTALL / INSTALLATION HYDRAULIQUE

## FIGURE 7-3. 24VDC 3KW PUMP-MOTOR-TANK / 24VDC 3KW GROUPE HYDRAULIQUE





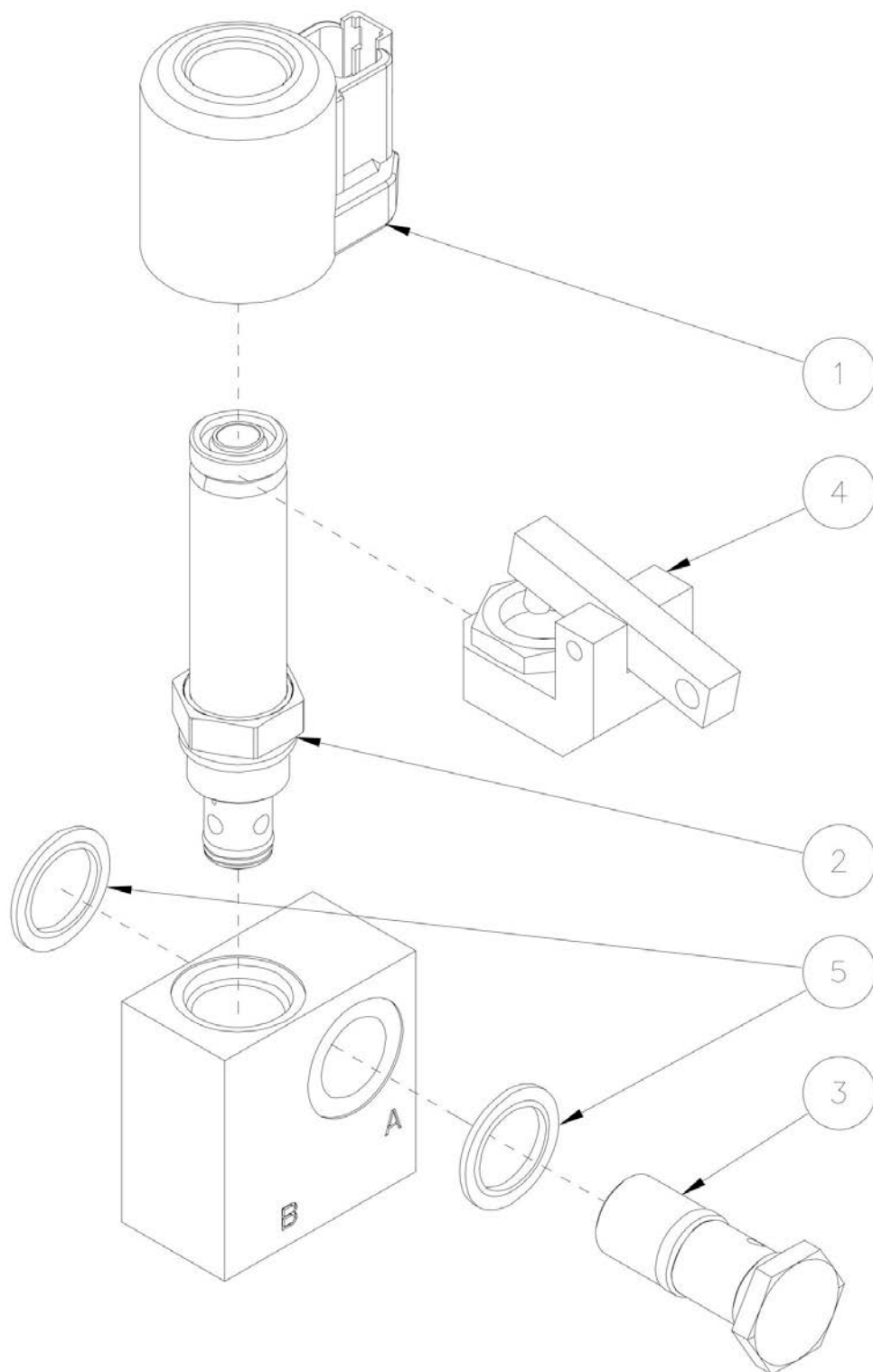
## SECTION 7 - HYDRAULIC INSTALL / INSTALLATION HYDRAULIQUE

**FIGURE 7-3. 24VDC 3KW PUMP-MOTOR-TANK / 24VDC 3KW GROUPE HYDRAULIQUE**

ITEM	PART NUMBER	QTY	DESCRIPTION	REV
	520114		<b>PUMP, -MOTOR-TANK ASSEMBLY, 24VDC 3KW; INFO - 520114 / GROUPE HYDRAULIQUE 24VDC 3KW; INFO - 520114</b>	
1	300025	2	FITTING MALE BSPP1/4-MALE JIC9/16 / RACCORD MALE BSPP1/4-MALE JIC9/16	
2	300040	1	FITTING MALE BSPP3/8 MALE JIC9/16 / RACCORD MALE BSPP3/8 MALE JIC9/16	
3	300101	1	PRESSURE TEST PLUG BSPP1/4 / PRISE DE PRESSION BSPP1/4	
4	310091	1	SEEVE 1/4 BSPP MESH 0.1mm / TAMIS 1/4 BSPP MAILLE 0.1mm	
5	310103	1	BREATHER CAP / BOUCHON-RENIFLARD	
6	930134	1	FILTER, CARTRIDGE,10µm / ELEMENT FILTRANT 10µm	
7	930135	2	VALVE, JET / LIMITEUR DE DEBIT	
8	930136	2	ADPT, ST S JIC/MPP 6-M18 FG / RACCORD M18x150 JIC 9/16	
9	930138	2	CHECK VALVE / CLAPET A BILLE	
10	952094	2	4/2 SOLENOID DIRECTIONAL VALVEWK08Z / DISTRIBUTEUR 4/2 WK08Z	
11	952095	1	4/2 SOLENOID DIRECTIONAL VALVEWK08Y / DISTRIBUTEUR 4/2 WK08Y	
12	952096	1	PROPORTIONAL RELIEF VALVE-PDB08P / LIMITEUR DE PRESSION PROPORTIONEL PDB08P	
13	952097	1	TANK, PLASTIC_6 LITERS / RESERVOIR PLASTIQUE 6 Litres	
14	952098	1	VALVE, NEEDLE,BUILD_IN / ROBINET	
15	952099	3	COIL, 24VDC_3012599 / BOBINE 24VDC_3012599	
16	952100	1	PUMP, GEAR PUMP 3, 1CC/REV / POMPE 3.1CC/Tr	
17	952101	1	COIL, 24VADC_3110057 / BOBINE 24VADC_3110057	
18	970065	1	MOTOR, 24VDC 3KW, AMK5542 / MOTEUR, 24VDC 3KW,AMK5542	
18	951034	1	BRUSH KIT FOR AMK 5542 / KIT BALAIS DE CHARBON AMK 5542	
19	300047	1	CAP BSPP 3/8 / BOUCHON BSPP 3/8	
20	952108	1	FITTING,CAP M27x0.75 / BOUCHON M27x0.75	
21	1001215691	1	COUPLING,PUMP / MOTOR / ACCOUPLEMENT POMPE / MOTEUR	

## SECTION 7 - HYDRAULIC INSTALL / INSTALLATION HYDRAULIQUE

FIGURE 7-4. MAST CYLINDER HOLDING VALVE WITH FLOW REGULATOR / DISTRIBUTEUR VERIN MAT AVEC REGULATEUR DE DEBIT



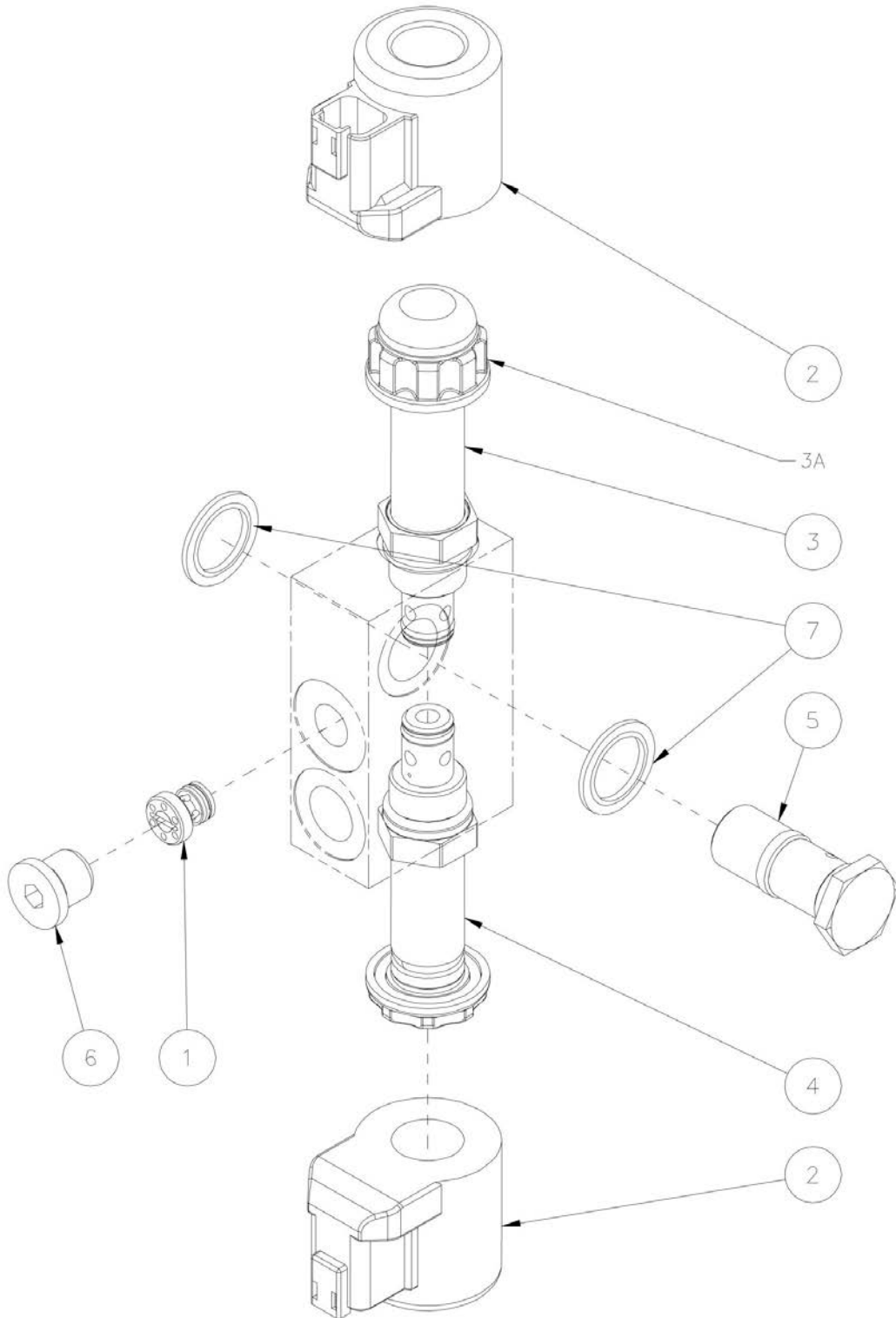
## SECTION 7 - HYDRAULIC INSTALL / INSTALLATION HYDRAULIQUE

**FIGURE 7-4. MAST CYLINDER HOLDING VALVE WITH FLOW REGULATOR / DISTRIBUTEUR VERIN MAT AVEC REGULATEUR DE DEBIT**

ITEM	PART NUMBER	QTY	DESCRIPTION	REV
	520115		<b>VALVE, CYL. HOLDING WITH FLOW REGULATOR; INFO - 520115 / DIST. VERIN AVEC REGULATEUR DE DEBIT; INFO - 520115</b>	
1	952099	1	COIL, 24VDC_3012599 / BOBINE 24VDC_3012599	
2	952102	1	2/2 SOLENOÏD DIRECTIONAL VALVE / DISTRIBUTEUR 2/2 WS08W	
3	952104	1	VALVE, FLOW REGULATOR-9L/MN / REGULATEUR DE DEBIT 9L/MN	
4	952106	1	MANUAL OVERRIDE SUPPORT, / COMMANDE MANUELLE	
5	952107	2	BS RING_HN48-10-U 16x24.7x1.5 St/NBR / BAGUE BS HN48-10-U 16x24.7x1.5 St/NBR	

## SECTION 7 - HYDRAULIC INSTALL / INSTALLATION HYDRAULIQUE

FIGURE 7-5. JIB CYLINDER HOLDING VALVE WITH FLOW REGULATOR / DISTRIBUTEUR VERIN BRAS AVEC REGULATEUR DE DEBIT



## SECTION 7 - HYDRAULIC INSTALL / INSTALLATION HYDRAULIQUE

**FIGURE 7-5. JIB CYLINDER HOLDING VALVE WITH FLOW REGULATOR / DISTRIBUTEUR VERIN BRAS AVEC REGULATEUR DE DEBIT**

ITEM	PART NUMBER	QTY	DESCRIPTION	REV
	520116		<b>VALVE, CYL. HOLDING WITH FLOW REGULATOR; INFO - 520116 / DIST. VERIN AVEC REGULATEUR DE DEBIT; INFO - 520116</b>	
1	930137	1	CHECK VALVE / CLAPET A BILLE	
2	952099	2	COIL, 24VDC_3012599 / BOBINE 24VDC_3012599	
3	952102	1	2/2 SOLENOID DIRECTIONAL VALVE WS08W / DISTRIBUTEUR 2/2 WS08W	
3A	952157	1	CAP,PUSH BUTTON VALVE NUT / ECROU BOUCHON DISTRIBUTEUR	
4	952103	1	2/2 SOLENOID DIRECTIONAL VALVE / DISTRIBUTEUR 2/2 WS08Z	
5	952105	1	VALVE, FLOW REGULATOR-5L/MN / REGULATEUR DE DEBIT 5L/MN	
6	300034	1	CAP MALE BSPP 1/4" / BOUCHON MALE BSPP 1/4"	
7	952107	2	BS RING_HN48-10-U 16x24.7x1.5 St/NBR / BAGUE BS HN48-10-U 16x24.7x1.5 St/NBR	

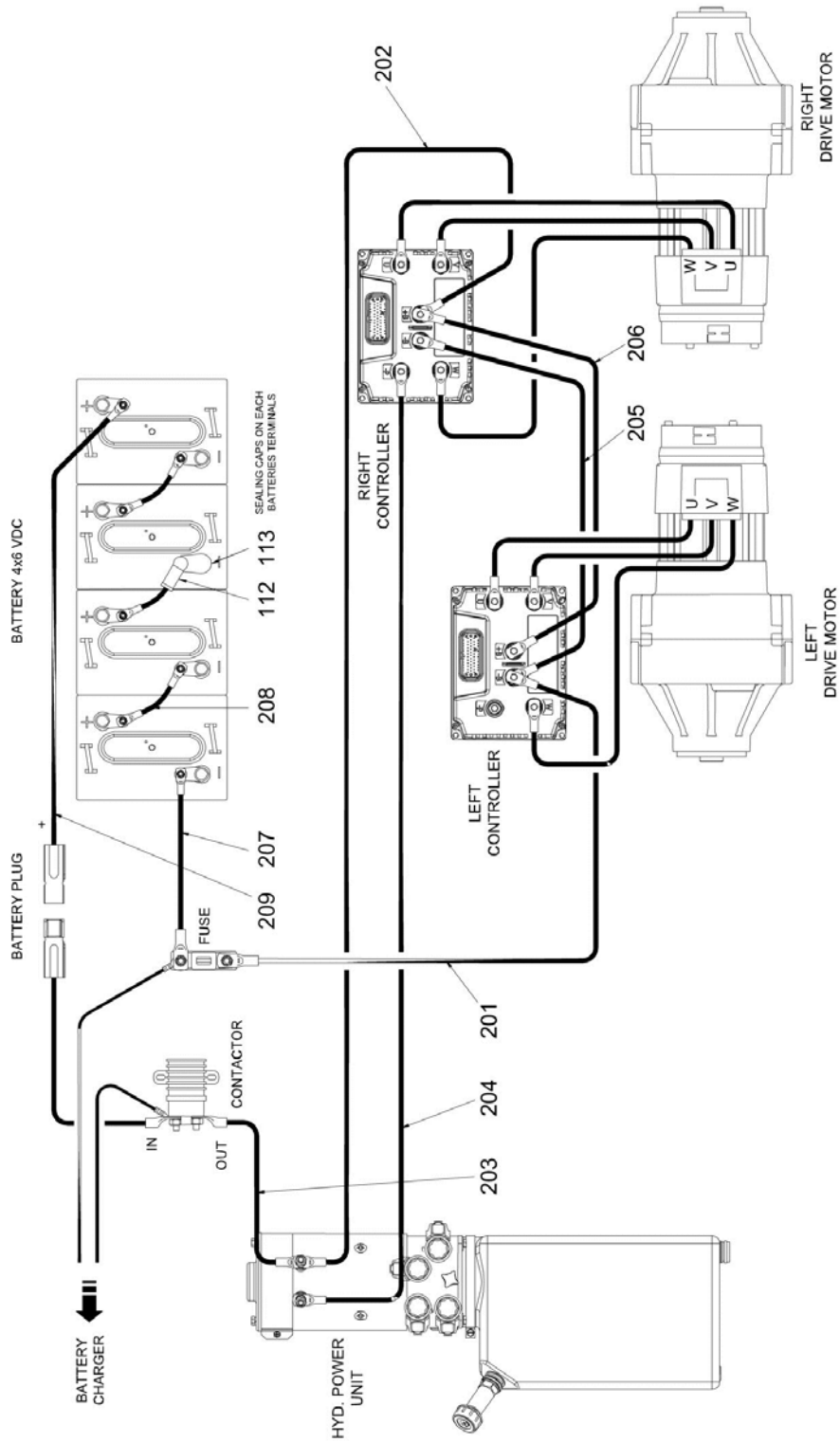


**SECTION 8 - ELECTRICAL SYSTEM INSTALL / INSTALLATION ELECTRIQUE**

**SECTION 8 - ELECTRICAL SYSTEM INSTALL / INSTALLATION  
ELECTRIQUE**

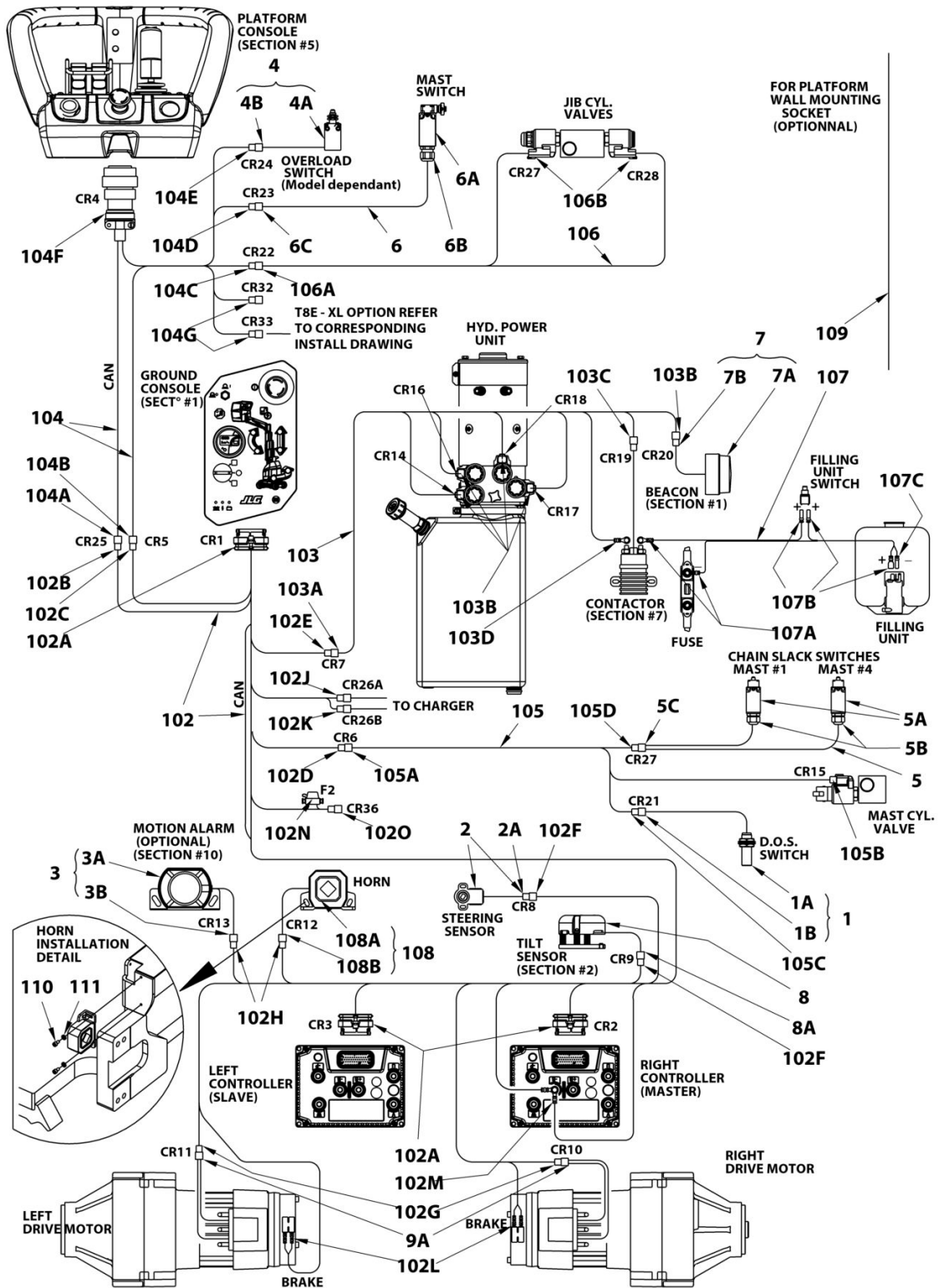
# SECTION 8 - ELECTRICAL SYSTEM INSTALL / INSTALLATION ELECTRIQUE

## FIGURE 8-1. CABLE INSTALL DIAGRAM / DIAGRAMME D'INSTALLATION CABLES





# SECTION 8 - ELECTRICAL SYSTEM INSTALL / INSTALLATION ELECTRIQUE



## SECTION 8 - ELECTRICAL SYSTEM INSTALL / INSTALLATION ELECTRIQUE

FIGURE 8-1. CABLE INSTALL DIAGRAM / DIAGRAMME D'INSTALLATION CABLES

ITEM	PART NUMBER	QTY	DESCRIPTION	REV
		Ref	<b>INSTALL,WHOLE MACHINE CABLES; INFO - SP0957 / INSTALLATION DE TOUS LES CABLES; INFO - SP0957</b>	B
1	4000008	1	PROXIMITY SENSOR ASSEMBLY / FAISCEAU DETECTEUR DE PROXIMITE	
1A	4000007	1	SENSOR, PROXIMITY / DETECTEUR DE PROXIMITE	
1B	4461076	1	CONNECTOR, DEUTSCH DTM 4P RECEPTACLE / CONNECTEUR DEUTSCH DTM 4P FEMELLE	
1B	4460917	4	CONTACT DEUTSCH DTM, GOLD PIN / CONTACT DEUTSCH DTM MALE DORE	
2	4360505	1	ROTARY ANGLE SENSOR / CAPTEUR D'ANGLE	
2A	4460536	1	CONNECTOR, DEUTSCH DT 3P RECEPTACLE / CONNECTEUR DEUTSCH DT 3P FEMELLE	
2A	4460464	3	CONTACT DEUTSCH DT PIN / CONTACT DEUTSCH DT MALE	
3	PC0466	1	HARNESS, MOTION ALARM / FAISCEAU ALARME DE MOUVEMENT	
3A	260275	1	ACCOUSTIC MOTION ALARM / ALARME DE MOUVEMENT SONORE	
3B	4460897	1	CONNECTOR, DEUTSCH DT 2P RECEPTACLE / CONNECTEUR DEUTSCH DT 2P FEMELLE	
3B	4460464	2	CONTACT DEUTSCH DT PIN / CONTACT DEUTSCH DT MALE	
4	PC0468	1	HARNESS, LOAD SENSING SWITCH / FAISCEAU CAPTEUR DE SURCHARGE	
4A	260321	1	LIMIT SWITCH, SNAP ACTION / DETECTEUR DE POSITION A POUSSOIR	
4B	4460884	1	CONNECTOR, DEUTSCH DT 4P PLUG / CONNECTEUR DEUTSCH DT 4P MALE	
4B	4460465	4	CONTACT DEUTSCH DT SOCKET / CONTACT DEUTSCH DT FEMELLE	
5	PC0526	1	HARNESS, CHAIN SLACK SWITCHES / FAISCEAU CAPTEURS MOU DE CHAINE	
5A	260016	2	CROUZET - SWITCH / CROUZET - CAPTEUR	
5A	260327	2	TELEMECANIQUE - SWITCH / TELEMECANIQUE - CAPTEUR	
5B	210062	2	CROUZET - GLAND N°13 Ø5 IP65 / CROUZET - PRESSE ETOUPE N°13 Ø5 IP65	
5B	210018	2	TELEMECANIQUE - GLAND N°11 / TELEMECANIQUE - PRESSE ETOUPE N°11	
5C	4460884	1	CONNECTOR, DEUTSCH DT 4P PLUG / CONNECTEUR DEUTSCH DT 4P MALE	
5C	4460465	4	CONTACT DEUTSCH DT SOCKET / CONTACT DEUTSCH DT FEMELLE	
6	PC0527	1	HARNESS, MAST LIMIT SWITCHE / FAISCEAU CAPTEUR DE MAT	
6A	260323	2	NO/NC SWITCH / CAPTEUR NO/NF	
6B	210018	2	GLAND N°11 / PRESSE ETOUPE N°11	
6C	4460894	1	CONNECTOR, DEUTSCH DT 6P PLUG / CONNECTEUR DEUTSCH DT 6P MALE	
6C	4460465	5	CONTACT DEUTSCH DT SOCKET / CONTACT DEUTSCH DT FEMELLE	
7	PC0534	1	HARNESS, BEACON / FAISCEAU FEU A ECLATS	
7A	260329	1	FLASHING LIGHT / FEU A ECLAT	
7B	4460897	1	CONNECTOR, DEUTSCH DT 2P RECEPTACLE / CONNECTEUR DEUTSCH DT 2P FEMELLE	
7B	4460464	2	CONTACT DEUTSCH DT PIN / CONTACT DEUTSCH DT MALE	
8	PC0478	1	TILT SENSOR 1.9° / DETECTEUR DE DEVERS 1.9°	

## SECTION 8 - ELECTRICAL SYSTEM INSTALL / INSTALLATION ELECTRIQUE

ITEM	PART NUMBER	QTY	DESCRIPTION	REV
8A	4460536	1	CONNECTOR, DEUTSCH DT 3P RECEPTACLE / CONNECTEUR DEUTSCH DT 3P FEMELLE	
8A	4460464	3	CONTACT DEUTSCH DT PIN / CONTACT DEUTSCH DT MALE	
9	510086	2	DRIVE GEAR MOTOR / MOTOREDUCTEUR DE ROUE	
9A	250230	2 x1	CONNECTOR, DEUTSCH DTM 6P HOUSING / CONNECTEUR DEUTSCH DTM 6P FEMELLE	
9A	4460917	2 x6	CONTACT DEUTSCH DTM, GOLD PIN / CONTACT DEUTSCH DTM MALE DORE	
100	SA0092	Ref	<b>INSTALL, CABLES / INSTALLATION CABLES</b>	
102	PC0521	1	HARNESS, CHASSIS / FAISCEAU CHASSIS <b>(Prior to SN A300053008)</b>	B
102	PC0602	1	HARNESS, CHASSIS / FAISCEAU CHASSIS <b>(SN A300053008 to Present)</b>	B
102A	4460873	3 x1	CONNECTOR, HOUSING AMP 35P / CONNECTEUR AMP 35P	
102A	4460871	3 x35	CONTACT AMPSEAL, SOCKET / CONTACT AMPSEAL, FEMELLE	
102B	4460539	1	CONNECTOR, DEUTSCH DT 3P PLUG / CONNECTEUR DEUTSCH DT 3P MALE	
102B	4460944	3	TERMINAL, 16-18 GA SOCKET (GOLD) / CONTACT DUTSCH DT FEMELLE (OR)	B
102C	4460933	1	CONNECTOR, DEUTSCH DT 12P PLUG / CONNECTEUR DEUTSCH DT 12P MALE	
102C	4460465	12	CONTACT DEUTSCH DT SOCKET / CONTACT DEUTSCH DT FEMELLE	
102D	4460894	1	CONNECTOR, DEUTSCH DT 6P PLUG / CONNECTEUR DEUTSCH DT 6P MALE	
102D	4460465	6	CONTACT DEUTSCH DT SOCKET / CONTACT DEUTSCH DT FEMELLE	
102E	4460930	1	CONNECTOR, DEUTSCH DT 8P PLUG / CONNECTEUR DEUTSCH DT 8P MALE	
102E	4460465	8	CONTACT DEUTSCH DT SOCKET / CONTACT DEUTSCH DT FEMELLE	
102F	4460539	2 x1	CONNECTOR, DEUTSCH DT 3P PLUG / CONNECTEUR DEUTSCH DT 3P MALE	
102F	4460465	2 x3	CONTACT DEUTSCH DT SOCKET / CONTACT DEUTSCH DT FEMELLE	
102G	250227	2 x1	CONNECTOR, DEUTSCH DTM 6P PLUG / CONNECTEUR DEUTSCH DTM 6P MALE	
102G	4460928	2 x6	CONTACT DEUTSCH DTM, SOCKET / CONTACT DEUTSCH DTM FEMELLE	
102H	4460891	2 x1	CONNECTOR, DEUTSCH DT 2P PLUG / CONNECTEUR DEUTSCH DT 2P MALE	
102H	4460465	2 x2	CONTACT DEUTSCH DT SOCKET / CONTACT DEUTSCH DT FEMELLE	
102J	4460320	1	TERMINAL, PLUG 2 PINS AMP / CONNECTEUR 2 CONTACT AMP	
102J	4460226	1	SOCKET, CONTACT AMP / CONTACT AMP	
102K	4460894	1	CONNECTOR, DEUTSCH DT 6P PLUG / CONNECTEUR DEUTSCH DT 6P MALE	
102K	4460465	4	CONTACT DEUTSCH DT SOCKET / CONTACT DEUTSCH DT FEMELLE	
102L	250060	4	RECEPTACLE TERMINAL 4.8 - 0.25-1mm <sup>2</sup> / COSSE ISOLEE 4.8 mm 0.25-1 mm <sup>2</sup>	
102M	250091	2	M6 EYELET TERMINAL 1-2.5mm <sup>2</sup> / COSSE A OEIL ISOLEE M6 - 1-2.5mm <sup>2</sup>	
102N	2400060	1	FUSE, HOLDER W/COVER (IF EQUIPPED) / PORTE FUSIBLE (SI EQUIPPE)	

## SECTION 8 - ELECTRICAL SYSTEM INSTALL / INSTALLATION ELECTRIQUE

ITEM	PART NUMBER	QTY	DESCRIPTION	REV
102N	8229242	1	FUSE,5 A MINI (IF EQUIPPED) / FUSIBLE 5A (SI EQUIPPE)	
102O	4460884	1	PLUG,4-PIN CONNECTOR (IF EQUIPPED) / CONNECTEUR 4 BROCHES (SI EQUIPPE)	
102O	4460465	4	CONTACT DEUTSCH DT SOCKET (IF EQUIPPED) / CONTACT DEUTSCH DT FEMELLE (SI EQUIPPE)	
102O	1001192401	1	CONNECTOR,DUST CAP (IF EQUIPPED) / PROTECTION CONNECTEUR (SI EQUIPPE)	
103	PC0522	1	HARNESS, HYDRAULIC UNIT / FAISCEAU CENTRALE HYDRAULIQUE	
103A	4460931	1	CONNECTOR, DEUTSCH DT 8P RECEPTACLE / CONNECTEUR DEUTSCH DT 8P FEMELLE	
103A	4460464	8	CONTACT DEUTSCH DT PIN / CONTACT DEUTSCH DT MALE	
103B	4460891	5 x1	CONNECTOR, DEUTSCH DT 2P PLUG / CONNECTEUR DEUTSCH DT 2P MALE	
103B	4460465	5 x2	CONTACT DEUTSCH DT SOCKET / CONTACT DEUTSCH DT FEMELLE	
103C	4460897	1	CONNECTOR, DEUTSCH DT 2P RECEPTACLE / CONNECTEUR DEUTSCH DT 2P FEMELLE	
103C	4460464	2	CONTACT DEUTSCH DT PIN / CONTACT DEUTSCH DT MALE	
103D	250084	1	M8 EYELET TERMINAL 0.25-1mm <sup>2</sup> / COSSE A OEIL ISOLEE M8 - 0.25-1mm <sup>2</sup>	
104	PC0523	1	HARNESS, UCB / FAISCEAU BOITIER HAUT ( <b>Prior to SN A300053008</b> )	B
104	PC0604	1	HARNESS,UCB / FAISCEAU BOITIER HAUT ( <b>SN A300053008 to Present</b> )	B
104A	4460536	1	CONNECTOR, DEUTSCH DT 3P RECEPTACLE / CONNECTEUR DEUTSCH DT 3P FEMELLE	
104A	4460943	3	TERMINAL,16-18 GA PIN (GOLD) / CONTACT DEUTSCH DT MALE (OR)	B
104B	4460970	1	CONNECTOR, DEUTSCH DT 12P RECEPTACLE / CONNECTEUR DEUTSCH DT 12P FEMELLE	
104B	4460464	12	CONTACT DEUTSCH DT PIN / CONTACT DEUTSCH DT MALE	
104C	4460539	1	CONNECTOR, DEUTSCH DT 3P PLUG / CONNECTEUR DEUTSCH DT 3P MALE	
104C	4460465	3	CONTACT DEUTSCH DT SOCKET / CONTACT DEUTSCH DT FEMELLE	
104D	4460899	1	CONNECTOR, DEUTSCH DT 6P RECEPTACLE / CONNECTEUR DEUTSCH DT 6P FEMELLE	
104D	4460464	6	CONTACT DEUTSCH DT PIN / CONTACT DEUTSCH DT MALE	
104E	4460932	1	CONNECTOR, DEUTSCH DT 4P RECEPTACLE / CONNECTEUR DEUTSCH DT 4P FEMELLE	
104E	4460464	4	CONTACT DEUTSCH DT PIN / CONTACT DEUTSCH DT MALE	
104F	4460754	1	CONNECTOR, DEUTSCH HD 14P PLUG / CONNECTEUR DEUTSCH HD 14P MALE	
104F	4460465	12	CONTACT DEUTSCH DT SOCKET / CONTACT DEUTSCH DT FEMELLE	B
104F	4460944	2	TERMINAL,16-18 GA SOCKET (GOLD) / CONTACT DEUTSCH DT FEMELLE (OR)	B
104G	4460536	2	CONNECTOR, DEUTSCH DT 3P RECEPTACLE / CONNECTEUR DEUTSCH DT 3P FEMELLE	
104G	4460464	6	CONTACT DEUTSCH DT PIN / CONTACT DEUTSCH DT MALE	
105	PC0488	1	HARNESS, TURNTABLE / FAISCEAU MAT 1	
105A	4460899	1	CONNECTOR, DEUTSCH DT 6P RECEPTACLE / CONNECTEUR DEUTSCH DT 6P FEMELLE	
105A	4460464	5	CONTACT DEUTSCH DT PIN / CONTACT DEUTSCH DT MALE	
105B	4460891	1	CONNECTOR, DEUTSCH DT 2P PLUG / CONNECTEUR DEUTSCH DT 2P MALE	

## SECTION 8 - ELECTRICAL SYSTEM INSTALL / INSTALLATION ELECTRIQUE

ITEM	PART NUMBER	QTY	DESCRIPTION	REV
105B	4460465	2	CONTACT DEUTSCH DT SOCKET / CONTACT DEUTSCH DT FEMELLE	
105C	4461077	1	CONNECTOR, DEUTSCH DTM 4P PLUG / CONNECTEUR DEUTSCH DTM 4P MALE	
105C	4460928	3	CONTACT DEUTSCH DTM, SOCKET / CONTACT DEUTSCH DTM FEMELLE	
105D	4460932	1	CONNECTOR, DEUTSCH DT 4P RECEPTACLE / CONNECTEUR DEUTSCH DT 4P FEMELLE	
105D	4460464	4	CONTACT DEUTSCH DT PIN / CONTACT DEUTSCH DT MALE	
106	PC0524	1	HARNESS, JIB VALVES / FAISCEAU ELECTROVANNE BRAS	
106A	4460536	1	CONNECTOR, DEUTSCH DT 3P RECEPTACLE / CONNECTEUR DEUTSCH DT 3P FEMELLE	
106A	4460464	3	CONTACT DEUTSCH DT PIN / CONTACT DEUTSCH DT MALE	
106B	4460891	2 x1	CONNECTOR, DEUTSCH DT 2P PLUG / CONNECTEUR DEUTSCH DT 2P MALE	
106B	4460465	2 x2	CONTACT DEUTSCH DT SOCKET / CONTACT DEUTSCH DT FEMELLE	
107	PC0525	1	HARNESS, BATTERY FILLING / FAISCEAU REMPLISSAGE BATTERIE	
107A	250084	2	M8 EYELET TERMINAL 0.25-1mm <sup>2</sup> / COSSE A OEIL ISOLEE M8 - 0.25-1mm <sup>2</sup>	
107B	250026	3	RED RECEPTACLE TERM. 6.3 - 0.5-1.2mm <sup>2</sup> / COSSE FEMELLE 6.3 ROUGE - 0.5-1.2mm <sup>2</sup>	
107C	250027	1	BLUE RECEPTACLE TER. 6.3 - 1.5-2.5mm <sup>2</sup> / COSSE FEM. 6.3 BLEUE 6.3 - 1.5-2.5mm <sup>2</sup>	
108	PC0491	1	HARNESS, HORN / FAISCEAU AVERTISSEUR SONORE	
108A	260274	1	HORN / KLAXON	
108B	4460897	1	CONNECTOR, DEUTSCH DT 2P RECEPTACLE / CONNECTEUR DEUTSCH DT 2P FEMELLE	
108B	4460464	2	CONTACT DEUTSCH DT PIN / CONTACT DEUTSCH DT MALE	
109	270059	10.5	CABLE 3G2.5mm <sup>2</sup> Color leads (qty in meters) / CABLE 3G2.5mm <sup>2</sup> coloré (qté en mètre)	
110	000015	2	M06x16 8.8 SOCKET HEAD MACH SCREW / VIS CHC M06x16 8.8 BI FT	
111	120009	2	dD 06x14 LOCK WASHER / RONDELLE CONTACT dD 06x14 BI	
112	250031	8	TERMINAL BOOT / CAPUCHON D'ETANCHEITE	
113	0840060	8	BOOT, BATTERY TERMINAL BASE / CAPUCHON CONNECTION BATERRIE	
200	SE0928	Ref	<b>KIT, POWER CABLES / KIT CABLES DE PUISSANCE</b>	
201	PC0514	1	CABLE 35mm <sup>2</sup> LENGHT 4200mm BLUE / CABLE 35mm <sup>2</sup> LONG 4200mm BLEU	
202	PC0515	1	CABLE 35mm <sup>2</sup> LENGHT 4450mm RED / CABLE 35mm <sup>2</sup> LONG 4450mm ROUGE	
203	PC0516	1	CABLE 35mm <sup>2</sup> LENGHT 120mm RED / CABLE 35mm <sup>2</sup> LONG 120mm ROUGE	
204	PC0517	1	CABLE 35mm <sup>2</sup> LENGHT 4200mm BLACK / CABLE 35mm <sup>2</sup> LONG 4200mm NOIR	
205	PC0483	1	CABLE 35mm <sup>2</sup> LENGHT 550mm BLUE / CABLE 35mm <sup>2</sup> LONG 550mm BLEU	
206	PC0484	1	CABLE 35mm <sup>2</sup> LENGHT 550mm RED / CABLE 35mm <sup>2</sup> LONG 550mm ROUGE	
207	PC0518	1	CABLE 35mm <sup>2</sup> LENGHT 450mm BLUE / CABLE 35mm <sup>2</sup> LONG 450mm BLEU	
208	PC0519	3	CABLE 35mm <sup>2</sup> LENGHT 120mm BLACK / CABLE 35mm <sup>2</sup> LONG 120mm NOIR	

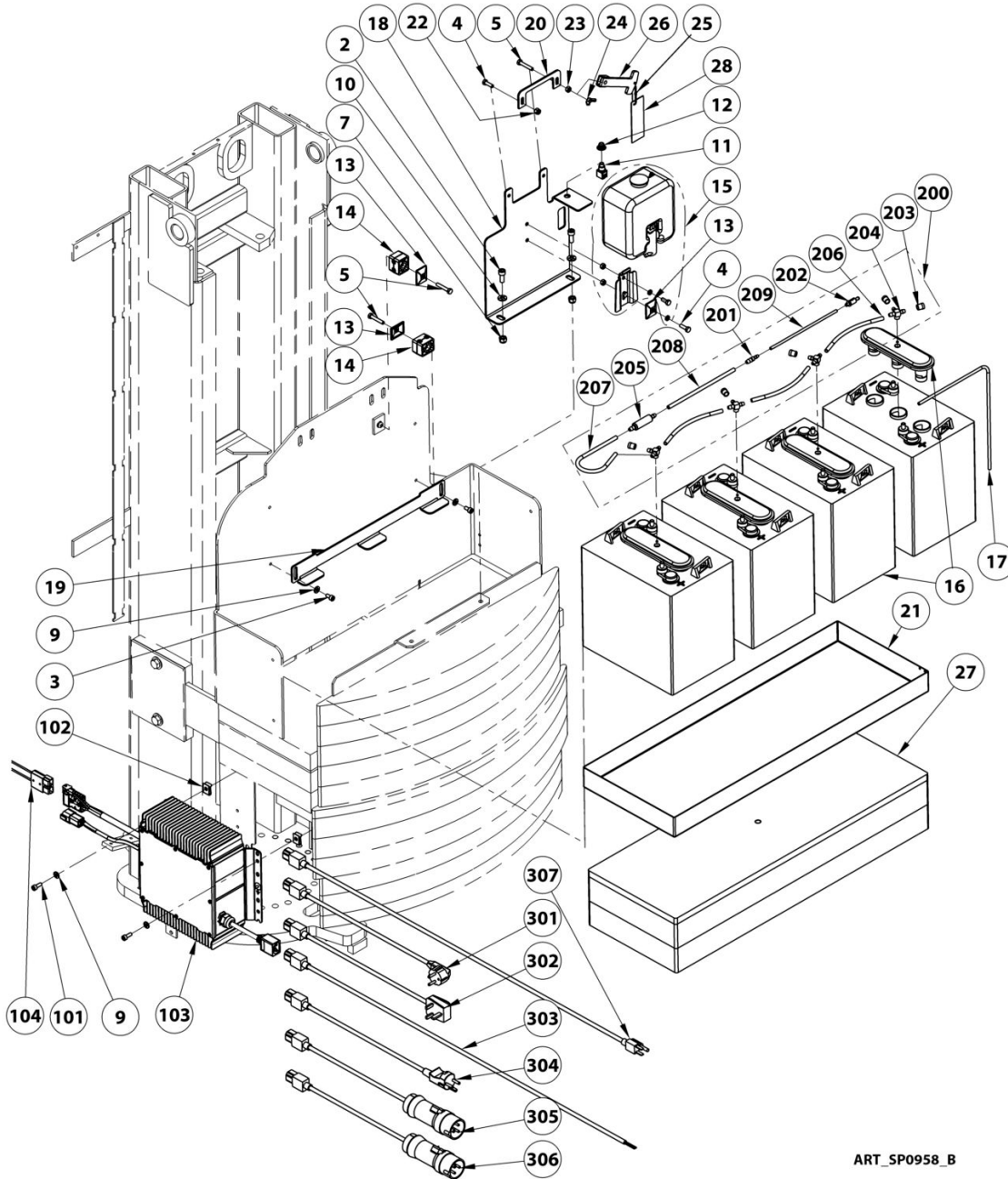
## SECTION 8 - ELECTRICAL SYSTEM INSTALL / INSTALLATION ELECTRIQUE

ITEM	PART NUMBER	QTY	DESCRIPTION	REV
209	PC0520	1	CABLE 35mm <sup>2</sup> LENGHT 530mm RED / CABLE 35mm <sup>2</sup> LONG 530mm ROUGE	



# SECTION 8 - ELECTRICAL SYSTEM INSTALL / INSTALLATION ELECTRIQUE

## FIGURE 8-2. BATTERY AND CHARGER INSTALL / INSTALLATION BATTERIE ET CHARGEUR



ART\_SP0958\_B



## SECTION 8 - ELECTRICAL SYSTEM INSTALL / INSTALLATION ELECTRIQUE

### FIGURE 8-2. BATTERY AND CHARGER INSTALL / INSTALLATION BATTERIE ET CHARGEUR

ITEM	PART NUMBER	QTY	DESCRIPTION	REV
		Ref	<b>INSTALL, BATTERY AND CHARGEUR; INFO - SP0958 / INSTALLATION BATTERIE ET CHARGEUR; INFO - SP0958</b>	B
0	SA0084	Ref	<b>T8E/T20E - INSTALL, BATTERY 225Ah / T8E/T20E - INSTALLATION BATTERIE 225Ah</b>	B
0	SA0085	Ref	<b>T8E XL - INSTALL, BATTERY 225Ah / T8E XL - INSTALLATION BATTERIE 225Ah</b>	B
2	000006	2	M08x20 8.8 SOCKET HEAD MACH SCREW / VIS CHC M08x20 8.8 BI FT	
3	000004	1	M04x35 8.8 SOCK. HEAD MACH. SCREW / VIS CHC M04x35 8.8 BI FT	
4	100005	2	M06x20 8.8 HEX HEAD MACHINE SCREW / VIS H M06x20 8.8 BI FT	B
5	100051	3	M06x35 8.8 HEX HEAD MACHINE SCREW / VIS H M06x35 8.8 BI FT	B
7	110004	2	M08 GR08 LOCK NUT / ECROU FREIN M8 CL08 BI	
9	120009	2	dD 06x14 LOCK WASHER / RONDELLE CONTACT dD 06x14 BI	
10	120010	2	dD 08x18 LOCK WASHER / RONDELLE CONTACT dD 08x18 BI	
11	260259	1	PUSH BUTTON MOM NO / BOUTON POUSSOIR MOMENTANE NO	
12	260260	1	PUSH BUTTON SEAL CAP / CAPUCHON ETANCHEITE B. P.	
13	400012	3	CLAMP COVER PLATE T1 / PLAQUE DE SERRAGE T1	
14	400037	2	CLAMP, TWIN D10 / COLLIER DOUBLE D10	
15	400093	1	WATER CAN KIT / KIT BIDON D'EAU	
16	510089	4	BATTERY 6V 225Ah / BATTERIE MONOBLOC 6V 225Ah	
16	950218	x	BATTERY FILLING LINK / PONT REMPLISSAGE BATTERIE	
17	950215	1	Ø4 PIPE (quantity indicated in meter) / TUYAU Ø 4 (quantité indiquée en mètre)	
18	ST3432	1	SUPPORT, TANK / SUPPORT BIDON	
19	ST3433	1	BATTERY SHIELD / TOLE FIXATION BATTERIE	
20	ST3434	1	PLATE, HOOD LATCH / PLAQUE VERROUILLAGE CAPOT	
21	ST3435	1	BATTERY CONTAINER / BAC DE RETENTION BATTERIE	
22	110003	1	M06 GR. 8.8 LOCK NUT / ECROU FREIN M6 CL08 BI	B
23	110015	1	M06 GR. 8.8 HEX NUT / ECROU H M06 CL08 BI	B
24	110042	1	WING NUT, M6 / ECROU A OREILLE M6 <b>(SN A300052840 to Present)</b>	B
25	190077	1	CHAIN, METAL BALL / CHAINE A BILLES METAL <b>(SN A300052840 to Present)</b>	B
26	DL0911	1	LEVER, BREAKDOWN CONTROLS / LEVIER DE CONTOLE PANNE <b>(SN A300052840 to Present)</b>	B
27	DL0873	1	WEIGHT, COUNTERWEIGHT T8E XL / CONTREPOIDS T8E XL	
28	AU2215	1	DECAL, SLACK CHAIN DETECTION / AUTOCOLLANT MOU DE CHAINE <b>(SN A300052840 to Present)</b>	B
100	SA0086	Ref	<b>INSTALL, CHARGER 24V 25A / INSTALLATION CHARGEUR 24V 25A</b>	
9	120009	2	dD 06x14 LOCK WASHER / RONDELLE CONTACT dD 06x14 BI	
101	000015	2	M06x16 8.8 SOCKET HEAD MACH SCREW / VIS CHC M06x16 8.8 BI FT	
102	110026	2	M06 CAGE HEX NUT / ECROU CAGE M06	
103	1001112111	1	CHARGER DELTA-Q 24V HF / CHARGEUR DELTA-Q 24V HF	
104	PC0513	1	HARNESS, CHARGER / FAISCEAU CHARGEUR	

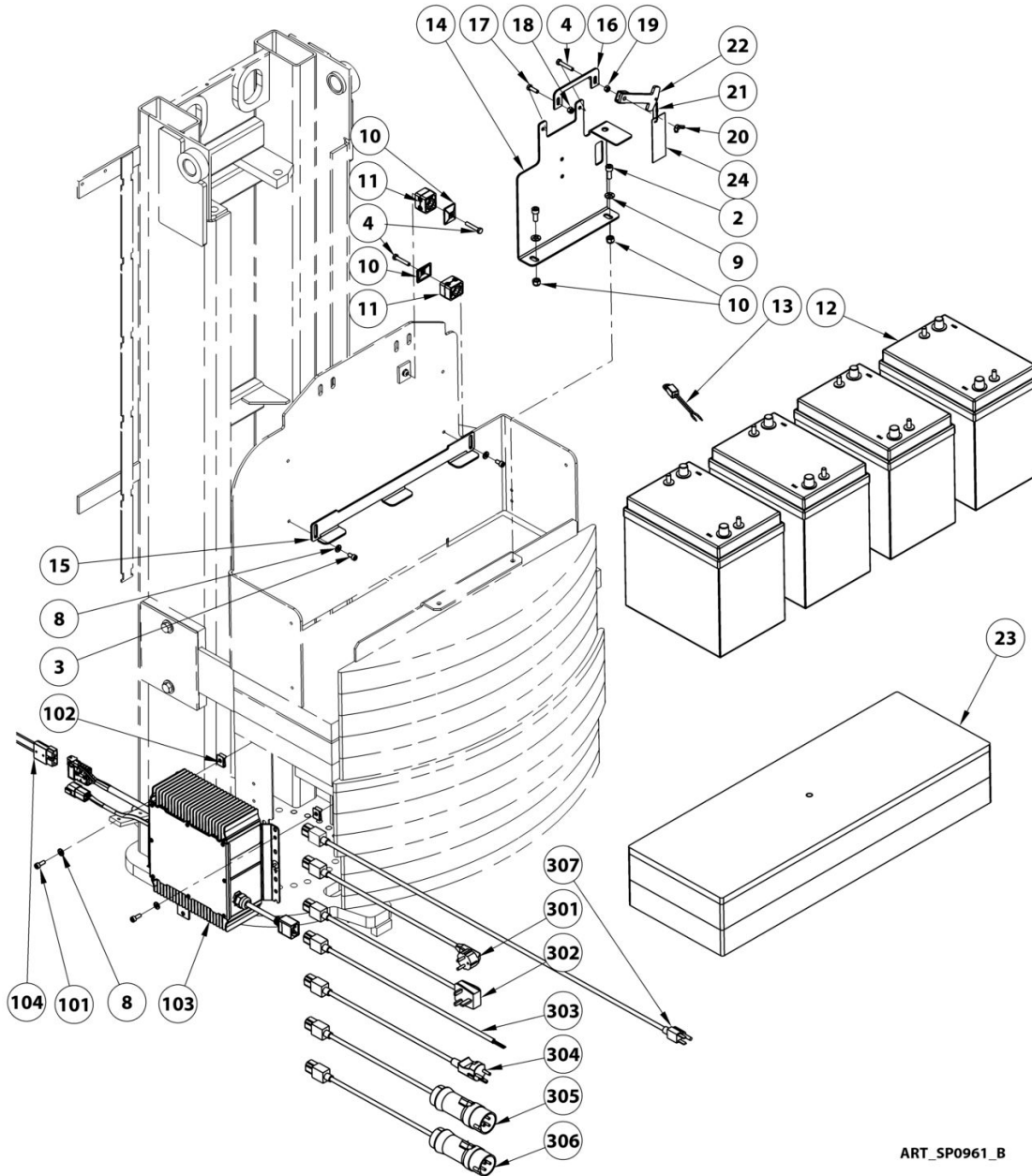
## SECTION 8 - ELECTRICAL SYSTEM INSTALL / INSTALLATION ELECTRIQUE

ITEM	PART NUMBER	QTY	DESCRIPTION	REV
200	KT0154	1	<b>NETWORK FILLING KIT / KIT REMPLISSAGE CENTRALISE</b>	
201	400059	1	4/6 REDUCTION / REDUCTION 4/6	
202	400086	1	CHECK VALVE / CLAPET ANTI-RETOUR	
203	950219	5	CAP, HYDROLINK SYSTEM / BOUCHON HYDROLINK SYSTEM	
204	950220	4	TEE, HYDROLINK SYSTEM / TE HYDROLINK SYSTEM	
205	950221	1	FLOW INDICATOR Ø6 / INDICATEUR DE DEBIT Ø6	
206	950039	3 x0.19	Ø6 PIPE (quantity indicated in meter) / TUYAU Ø 6 (quantité indiquée en mètre)	
207	950039	0.19	Ø6 PIPE (quantity indicated in meter) / TUYAU Ø 6 (quantité indiquée en mètre)	
208	950039	0.19	Ø6 PIPE (quantity indicated in meter) / TUYAU Ø 6 (quantité indiquée en mètre)	
209	950215	0.19	Ø4 PIPE (quantity indicated in meter) / TUYAU Ø 4 (quantité indiquée en mètre)	
300		Ref	<b>CHARGER EXTENSION / PRISE CHARGEUR</b>	
301	250211	1	CABLE IEC22 / PLUG CEE7 2m 10A / CORDON IEC22 / FICHE CEE7 2m 10A	
302	250213	1	CABLE IEC22 / PLUG BS1362 2m 10A / CORDON IEC22 / FICHE BS1362 2m 10A	
303	1060689	1	CABLE AC CORD, W/O PLUG, L=2m / CABLE AC CHARGEUR, SANS PRISE, L=2m	
304	PC0494	1	230V CEE7 POWER SUPPLY CABLE, KEYED / CABLE ALIMENTATION 230V CEE7, POLARISE	
305	PC0495	1	230V IEC60309 POWER SUPPLY CABLE / CABLE ALIMENTATION 230V CEI60309	
306	PC0496	1	115V IEC60309 POWER SUPPLY CABLE / CABLE ALIMENTATION 115V CEI60309	
307	1060688	1	CABLE AC CORD, US PLUG, L=2m / CABLE AC CHARGEUR, US, L=2m	



# SECTION 8 - ELECTRICAL SYSTEM INSTALL / INSTALLATION ELECTRIQUE

## FIGURE 8-3. AGM BATTERY AND CHARGER INSTALL / INSTALLATION BATTERIE AGM ET CHARGEUR



# SECTION 8 - ELECTRICAL SYSTEM INSTALL / INSTALLATION ELECTRIQUE

## FIGURE 8-3. AGM BATTERY AND CHARGER INSTALL / INSTALLATION BATTERIE AGM ET CHARGEUR

ITEM	PART NUMBER	QTY	DESCRIPTION	REV
		Ref	<b>INSTALL,BATTERY AGM AND CHARGEUR; INFO - SP0961 / INSTALLATION BATTERIE AGM ET CHARGEUR; INFO - SP0961</b>	B
0	SA0105	Ref	<b>T8E/T20E - INSTALL, BATTERIE AGM / T8E/T20E - INSTALLATION BATTERIE AGM</b>	B
0	SA0106	Ref	<b>T8E XL - INSTALL, BATTERIE AGM / T8E XL - INSTALLATION BATTERIE AGM</b>	B
2	000006	2	M08x20 8.8 SOCKET HEAD MACH SCREW / VIS CHC M08x20 8.8 BI FT	
3	000014	2	M06x12 8.8 SOCKET HEAD MACH SCREW / VIS CHC M06x12 8.8 BI FT	
4	100051	3	M06x35 8.8 HEX HEAD MACHINE SCREW / VIS H M06x35 8.8 BI FT	B
6	110004	2	M08 GR08 LOCK NUT / ECROU FREIN M8 CL08 BI	
8	120009	2	dD 06x14 LOCK WASHER / RONDELLE CONTACT dD 06x14 BI	
9	120010	2	dD 08x18 LOCK WASHER / RONDELLE CONTACT dD 08x18 BI	
10	400012	2	CLAMP COVER PLATE T1 / PLAQUE DE SERRAGE T1	
11	400037	2	CLAMP, TWIN D10 / COLLIER DOUBLE D10	
12	1001112112	4	BATTERY, EVGC6A-A 6V / BATTERY, EVGC6A-A 6V	
13	1001112113	1	SENSOR, TEMPERATURE / SONDE DE TEMPERATURE	
14	ST3432	1	SUPPORT, TANK / SUPPORT BIDON	
15	ST3433	1	BATTERY SHIELD / TOLE FIXATION BATTERIE	
16	ST3434	1	PLATE, HOOD LATCH / PLAQUE VERROUILLAGE CAPOT	
17	100005	1	M06x20 8.8 HEX HEAD MACHINE SCREW / VIS H M06x20 8.8 BI FT	B
18	110003	1	M06 GR. 8.8 LOCK NUT / ECROU FREIN M6 CL08 BI	B
19	110015	1	M06 GR. 8.8 HEX NUT / ECROU H M06 CL08 BI	B
20	110042	1	WING NUT, M6 / ECROU A OREILLE M6 <b>(SN A300052840 to Present)</b>	B
21	190077	1	CHAIN,METAL BALL / CHAINE A BILLES METAL <b>(SN A300052840 to Present)</b>	B
22	DL0911	1	LEVER,BREAKDOWN CONTROLS / LEVIER DE CONTOLE PANNE <b>(SN A300052840 to Present)</b>	B
23	DL0873	1	WEIGHT, COUNTERWEIGHT T8E XL / CONTREPOIDS T8E XL	
24	AU2215	1	DECAL,SLACK CHAIN DETECTION / AUTOCOLLANT MOU DE CHAINE <b>(SN A300052840 to Present)</b>	B
100	SA0086	Ref	<b>INSTALL, CHARGER 24V 25A / INSTALLATION CHARGEUR 24V 25A</b>	
8	120009	2	dD 06x14 LOCK WASHER / RONDELLE CONTACT dD 06x14 BI	
101	000015	2	M06x16 8.8 SOCKET HEAD MACH SCREW / VIS CHC M06x16 8.8 BI FT	
102	110026	2	M06 CAGE HEX NUT / ECROU CAGE M06	
103	1001112111	1	CHARGER DELTA-Q 24V HF / CHARGEUR DELTA-Q 24V HF	
104	PC0513	1	HARNESS, CHARGER / FAISCEAU CHARGEUR	
300		Ref	<b>CHARGER EXTENSION / PRISE CHARGEUR</b>	
301	250211	1	CABLE IEC22 / PLUG CEE7 2m 10A / CORDON IEC22 / FICHE CEE7 2m 10A	
302	250213	1	CABLE IEC22 / PLUG BS1362 2m 10A / CORDON IEC22 / FICHE BS1362 2m 10A	
303	1060689	1	CABLE AC CORD, W/O PLUG, L=2m / CABLE AC CHARGEUR,	

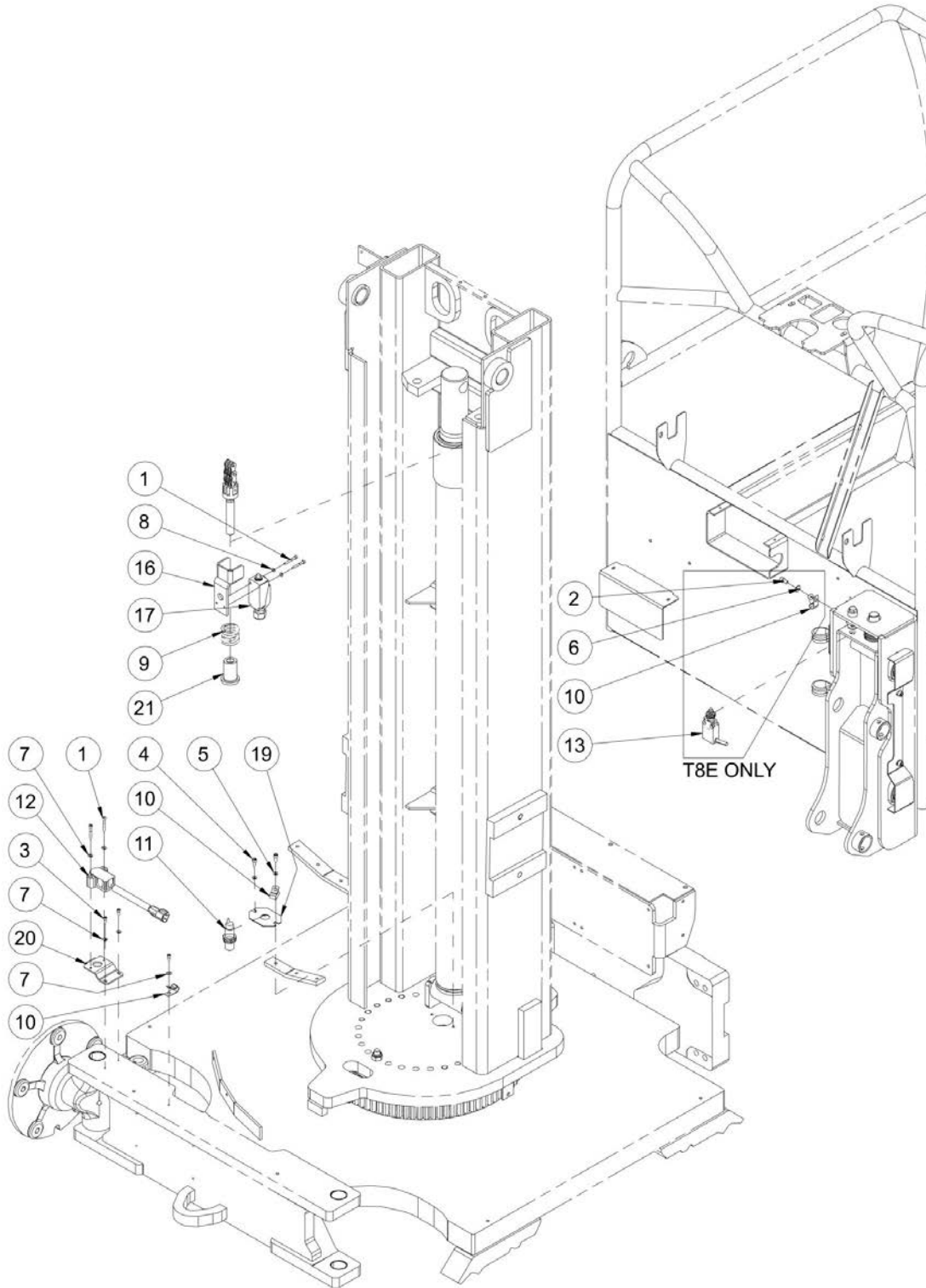
## SECTION 8 - ELECTRICAL SYSTEM INSTALL / INSTALLATION ELECTRIQUE

ITEM	PART NUMBER	QTY	DESCRIPTION	REV
304	PC0494	1	SANS PRISE, L=2m 230V CEE7 POWER SUPPLY CABLE, KEYED / CABLE ALIMENTATION 230V CEE7, POLARISE	
305	PC0495	1	230V IEC60309 POWER SUPPLY CABLE / CABLE ALIMENTATION 230V CEI60309	
306	PC0496	1	115V IEC60309 POWER SUPPLY CABLE / CABLE ALIMENTATION 115V CEI60309	
307	1060688	1	CABLE AC CORD, US PLUG, L=2m / CABLE AC CHARGEUR, US, L=2m	



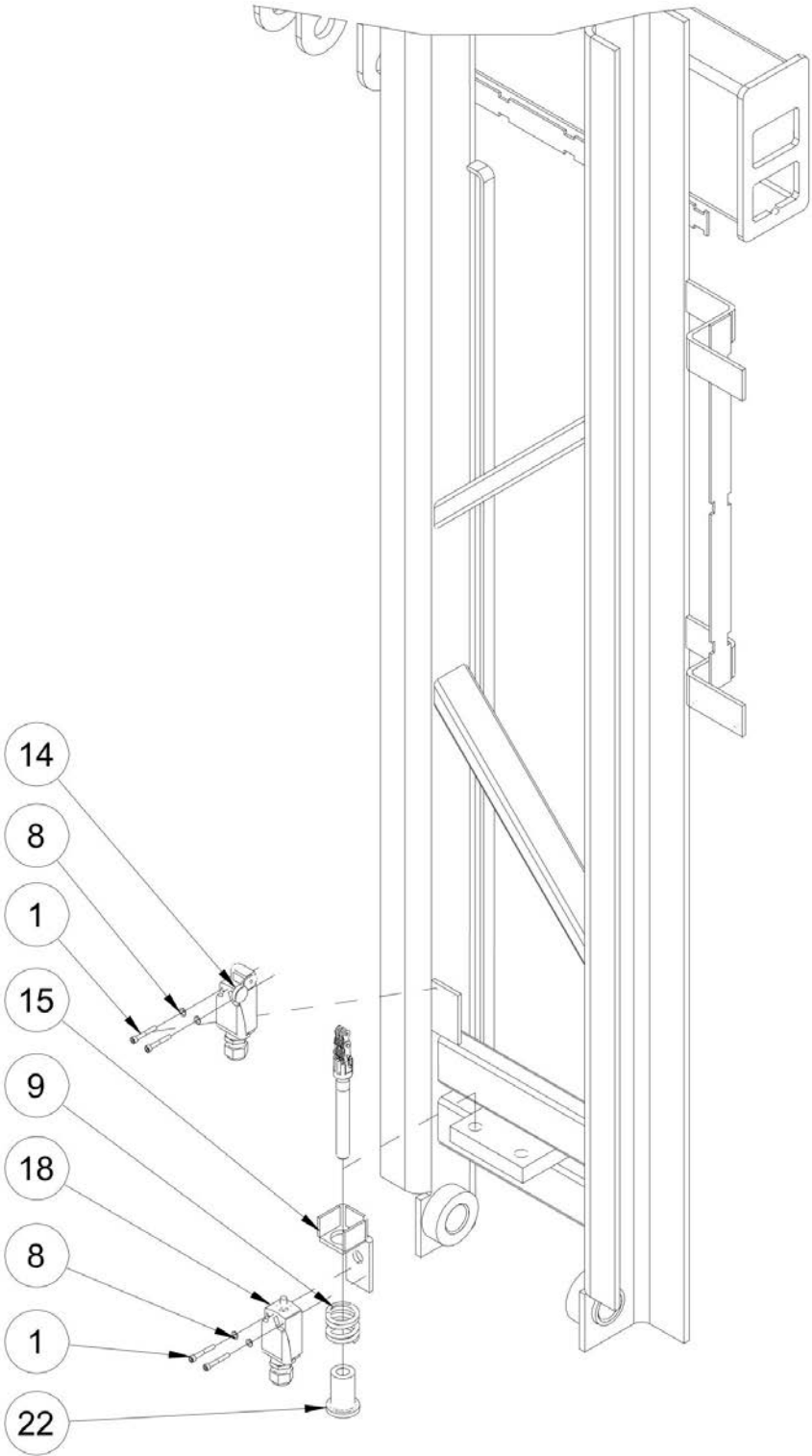
# SECTION 8 - ELECTRICAL SYSTEM INSTALL / INSTALLATION ELECTRIQUE

## FIGURE 8-4. SWITCHES AND COVERS INSTALL / INSTALLATION CAPTEURS





**SECTION 8 - ELECTRICAL SYSTEM INSTALL / INSTALLATION ELECTRIQUE**



## SECTION 8 - ELECTRICAL SYSTEM INSTALL / INSTALLATION ELECTRIQUE

### FIGURE 8-4. SWITCHES AND COVERS INSTALL / INSTALLATION CAPTEURS

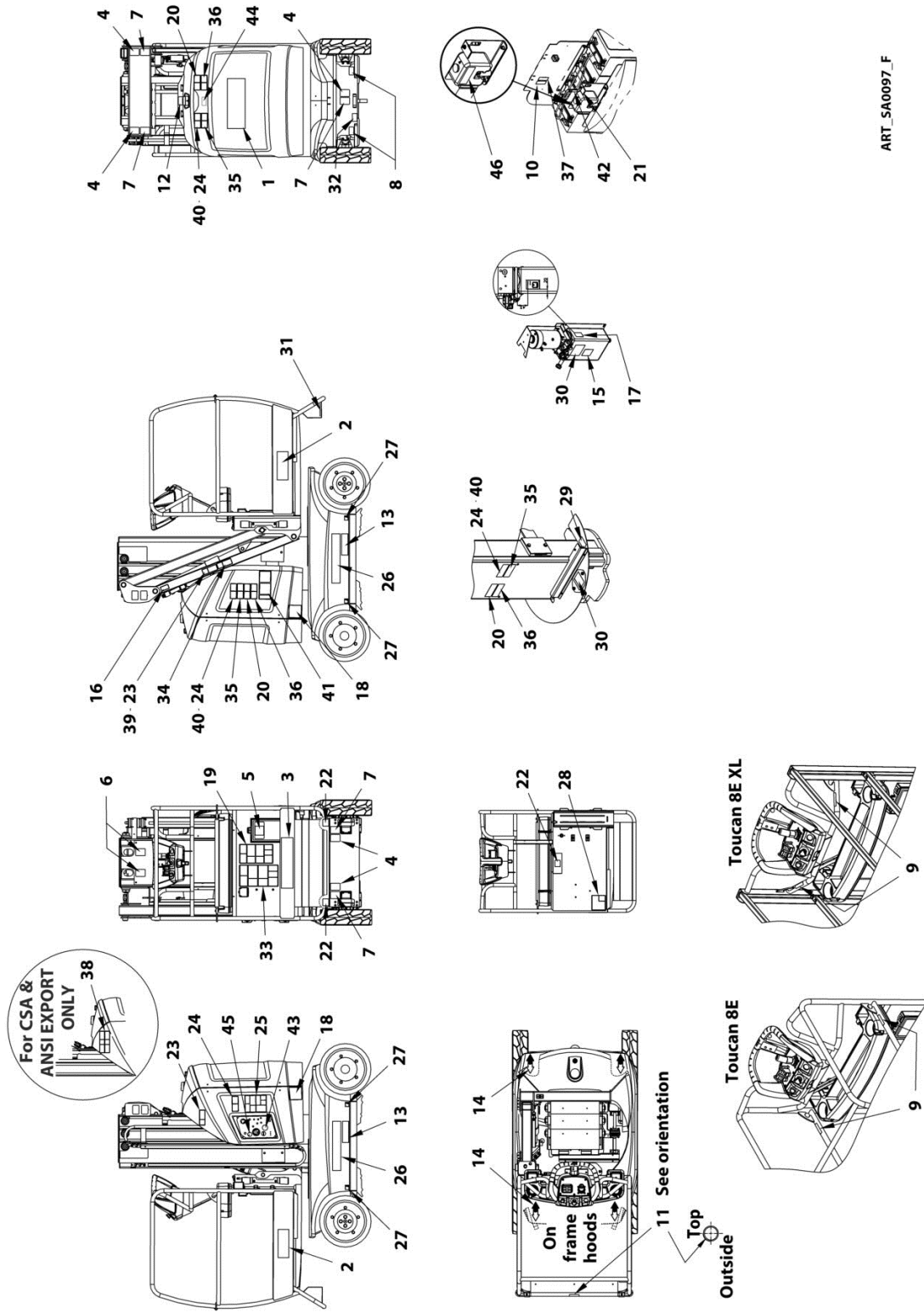
ITEM	PART NUMBER	QTY	DESCRIPTION	REV
	SA0088		<b>T8E - INSTALL, SWITCHES AND COVERS; INFO - SA0088 / T8E - INSTALLATION CAPTEURS; INFO - SA0088</b>	
	SA0101		<b>T20E - INSTALL, SWITCHES AND COVERS; INFO - SA0101 / T20E - INSTALLATION CAPTEURS; INFO - SA0101</b>	
1	000007	8	M04x30 8.8 SOCKET HEAD CAPSCREW / VIS CHC M04x30 8.8 BI FP	
2	000014	1	M06x12 8.8 SOCKET HEAD MACH SCREW / VIS CHC M06x12 8.8 BI FT	
3	000050	2	M04x10 8.8 SOCKET HEAD MACH SCREW / VIS CHC M04x10 8.8 BI FT	
4	000067	2	M05x12 8.8 SOCKET HEAD MACH SCREW / VIS CHC M05x12 8.8 BI FT	
5	120002	2	M05 WASHER / RONDELLE M05 BI	
6	120009	1	dD 06x14 LOCK WASHER / RONDELLE CONTACT dD 06x14 BI	
7	120024	5	M4 LOCK WASHER / RONDELLE CONTACT M4 BI	
8	120056	6	dD 04x08 LOCK WASHER / RONDELLE CONTACT dD 04x08 BI	
9	160010	2	C 360 450 320 SPRING / RESSORT C 360 450 320	
10	1321293	3	CLAMP, INSULATED BAND / COLLIER ISOLE	
11	4000008	1	PROXIMITY SENSOR ASSEMBLY / FAISCEAU DETECTEUR DE PROXIMITE	
12	4360505	1	ROTARY ANGLE SENSOR / CAPTEUR D'ANGLE	
13	PC0468	1	HARNESS, LOAD SENSING SWITCH; INFO - T8E ONLY / FAISCEAU CAPTEUR DE SURCHARGE; INFO - T8E ONLY	
14	PC0527	1	HARNESS, MAST LIMIT SWITCH / FAISCEAU CAPTEUR DE MAT	
15	SD0345	1	SWITCH HOLDER / SUPPORT CAPTEUR	
16	SD0464	1	SWITCH HOLDER / SUPPORT CAPTEUR	
17	SE1137	1	HARNESS, CHAIN SLACK SW MAST 1; INFO - PC0526 / FAISCEAU CAPTEURS MOU DE CHAINE MAT 1; INFO - PC0526	
18	SE1138	1	HARNESS, CHAIN SLACK SW MAST 4; INFO - PC0526 / FAISCEAU CAPTEURS MOU DE CHAINE MAT 4; INFO - PC0526	
19	ST3226	1	D.O.S. SWITCH MOUNT / PLATINE CAPTEUR D'ORIENTATION	
20	ST3227	1	ROTARY SWITCH MOUNT / PLATINE CAPTEUR ROTATIF	
21	US0204	1	ACTUATOR M16 / ACTIONNEUR M16	
22	US0208	1	ACTUATOR M14 / ACTIONNEUR M14	

**SECTION 9 - DECALS INSTALL / INSTALLATION AUTOCOLLANTS**

**SECTION 9 - DECALS INSTALL / INSTALLATION AUTOCOLLANTS**

# SECTION 9 - DECALS INSTALL / INSTALLATION AUTOCOLLANTS

## FIGURE 9-1. DECAL KIT / JEU AUTOCOLLANTS



ART\_SA0097\_F

# SECTION 9 - DECALS INSTALL / INSTALLATION AUTOCOLLANTS

## FIGURE 9-1. DECAL KIT / JEU AUTOCOLLANTS

ITEM	PART NUMBER	QTY	DESCRIPTION	REV
		Ref	<b>INSTALL,8E - 20E DECALS; INFO - SA0097 / INSTALLATION AUTOCOLLANTS 8E - 20E; INFO - SA0097</b>	F
0	PA1113	Ref	<b>INSTALL, DECAL JLG LOGOS / INSTALLATION LOGOS JLG</b>	
1	1702773	1	BIG JLG DECAL ON BASKET / AU JLG GRANDE TAILLE PANIER	
2	1705781	2	DECAL, JLG 2.75" / AUTOCOLLANT,JLG	
3	AU1825	1	DECAL, FRONT BASKET TOUCAN / LOGO TOUCAN AVANT PANIER	
0	PA1152	Ref	<b>CHART,DECAL CE, AUS 8E / AUTOCOLLANTS CE ET AUSTRALIE 8E</b>	E
4	1701499	5	TIE DOWN DECAL / AU ARRIMAGE	
5	1701640	1	DECAL, MANUAL / AUTOCOLLANT, MANUEL	
6	1703811	2	DECAL, LIFTING LUG / AUTOCOLLANT, ANNEAU DE LEVAGE	
7	1703814	5	DECAL, TIE DOWN / AUTOCOLLANT, ARRIMAGE	
8	1704016	2	DECAL, FORKLIFT LOCATION / AUTOCOLLANT, PRISE FOURCHE	
9	1704277	2	DECAL, LANYARD ATTACH / AUTOCOLLANT, ATTACHE HARNAIS	
10	1705803	1	DECAL, ELEC HAZARD (DAN) / AUTOCOLLANT, RISQUES ELECTRIQUES	
11	1706493	1	DECAL, DROP BAR / AU RISQUE DE CHUTE SOUS-LISSE	
12	1706740	1	DECAL, BATTERY DISCONNECT / AUTOCOLLANT, DECONNEXION BATTERIE	
13	1706764	2	DECAL, JLG.COM / AUTOCOLLANT, JLG.COM	
14	AU0149	4	DECAL REP DRIVE DIRECTION / AUTOCOLLANT, REP SENS MARCHE	
15	AU1423	1	DECAL, FILTER CHANGE DECAL / AUTOCOLLANT, CHANGEMENT DE FILTRE	
16	AU2095	1	DECAL, JIB MANUAL DESCENT / AUTOCOLLANT DESCENTE BRAS	
17	AU2097	1	DECAL, OIL LEVEL / AUTOCOLLANT NIVEAU D'HUILE	
18	AU2098	2	DECAL, INSERT FORKS / AUTOCOLLANT PRISES DE FOURCHE	
19	AU2102	1	DECAL, LOADS AND INSTRUCTION / AUTOCOLLANT CHARGES ET CONSIGNE	
20	AU2103	3	DECAL, ELECTROCUTION / AUTOCOLLANT ELECTROCUTION	
21	AU2104	1	DECAL, BATTERY FILLING / AUTOCOLLANT REMPLISSAGE BATTERIE	
22	AU2105	3	DECAL, NO KARCHER / AUTOCOLLANT KARCHER	
23	AU2107	2	DECAL, HAND CRUSHING HAZARD / AUTOCOLLANT COINCEMENT MAIN	
24	AU2108	4	DECAL, CRUSHING / AUTOCOLLANT ECRASEMENT	
25	AU2109	1	DECAL, INSTRUCTIONS AND LOADS / AUTOCOLLANT CONSIGNES ET CHARGES	
26	AU2130	2	DECAL,TOUCAN 8E LOGO / AUTOCOLLANT TOUCAN 8E	
27	AU2131	4	DECAL,WHEEL LOAD T8E / AUTOCOLLANT CHARGES SUR ROUES T8E	
28	AU2132	1	DECAL TIE DOWN & LIFTING / AUTOCOLLANT ARRIMAGE-ELINGUAGE	
29	AU2133	1	DECAL,MAST MANUAL DESCENT / AUTOCOLLANT DESCENTE MAT <b>(Prior to SN A300052840)</b>	E
29	AU2212	1	DECAL,MAST MANUAL DESCENT / AUTOCOLLANT DESCENTE MANUELLE MAT <b>(SN A300052840 to Present)</b>	E

## SECTION 9 - DECALS INSTALL / INSTALLATION AUTOCOLLANTS

ITEM	PART NUMBER	QTY	DESCRIPTION	REV
30	AU2134	2	DECAL, MANUAL SWING / AUTOCOLLANT ORIENTATION MANUELLE	
31	AU2062	1	ADHESIVE ANTI-SKID BAND (150x600) / BANDE ADHESIVE ANTIDERAPANTE 150x600)	B
32	Not Required	1	NOT REQUIRED / NON REQUIS	E
33	Not Required	1	NOT REQUIRED / NON REQUIS	E
34	Not Required	1	NOT REQUIRED / NON REQUIS	E
35	Not Required	1	NOT REQUIRED / NON REQUIS	E
36	Not Required	1	NOT REQUIRED / NON REQUIS	E
37	Not Required	1	NOT REQUIRED / NON REQUIS	E
38	Not Required	1	NOT REQUIRED / NON REQUIS	E
39	Not Required	1	NOT REQUIRED / NON REQUIS	E
40	Not Required	1	NOT REQUIRED / NON REQUIS	E
41	AU2210	1	DECAL,EMERGENCY CONTROLS / AUTOCOLLANT SECOURS	E
42	AU2215	1	DECAL,SLACK CHAIN DETECTION / AUTOCOLLANT MOU DE CHAINE	E
43	Not Required	1	NOT REQUIRED / NON REQUIS	E
44	AU2229	1	DECAL,BATTERY CHARGER PLUG / AUTOCOLLANT PRISE CHARGEUR	E
45	Not Required	1	NOT REQUIRED / NON REQUIS	E
46	1001212356	1	DECAL,DISTILLED WATER / AUTOCOLLANT EAU DISTILLEE	F
0	PA1153	Ref	<b>CHART,DECALS T20E ANSI / AUTOCOLLANTS T20E ANSI</b>	E
4	1701499	5	TIE DOWN DECAL / AU ARRIMAGE	
5	1701640	1	DECAL, MANUAL / AUTOCOLLANT, MANUEL	
6	1703811	2	DECAL, LIFTING LUG / AUTOCOLLANT, ANNEAU DE LEVAGE	
7	1703814	5	DECAL, TIE DOWN / AUTOCOLLANT, ARRIMAGE	
8	1704016	2	DECAL, FORKLIFT LOCATION / AUTOCOLLANT, PRISE FOURCHE	
9	1704277	2	DECAL, LANYARD ATTACH / AUTOCOLLANT, ATTACHE HARNAIS	
10	1703785	1	DECAL, WARNING-EXPLOSION / AUTOCOLLANT, DANGER-EXPLOSION	
11	Not Required	1	NOT REQUIRED / NON REQUIS	
12	1706740	1	DECAL, BATTERY DISCONNECT / AUTOCOLLANT, DECONNEXION BATTERIE	
13	1704885	2	WWW.JLG.COM DECAL / AUTOCOLLANT WWW.JLG.COM	
14	AU0149	4	DECAL REP DRIVE DIRECTION / AUTOCOLLANT, REP SENS MARCHE	
15	AU1423	1	DECAL, FILTER CHANGE DECAL / AUTOCOLLANT, CHANGEMENT DE FILTRE	
16	AU2095	1	DECAL, JIB MANUAL DESCENT / AUTOCOLLANT DESCENTE BRAS	
17	AU2097	1	DECAL, OIL LEVEL / AUTOCOLLANT NIVEAU D'HUILE	
18	AU2098	2	DECAL, INSERT FORKS / AUTOCOLLANT PRISES DE FOURCHE	
19	AU2120	1	DECAL, LOADS AND INSTRUCTION / AUTOCOLLANT CHARGES ET CONSIGNE	
20	AU2118	3	DECAL, ELECTROCUTION HAZARD / AUTOCOLLANT RISQUE ELECTROCUTION	
21	AU2104	1	DECAL, BATTERY FILLING / AUTOCOLLANT REMPLISSAGE BATTERIE	
22	AU2105	3	DECAL, NO KARCHER / AUTOCOLLANT KARCHER	
23	AU2119	2	DECAL, HAND CRUSHING HAZARD / AUTOCOLLANT COINCEMENT MAIN	

## SECTION 9 - DECALS INSTALL / INSTALLATION AUTOCOLLANTS

ITEM	PART NUMBER	QTY	DESCRIPTION	REV
24	AU2117	4	DECAL, CRUSHING HAZARD / AUTOCOLLANT RISQUE ECRASEMENT	
25	AU2121	1	DECAL, LOADS AND INSTRUCTION / AUTOCOLLANT CHARGES ET CONSIGNE	
26	AU2139	2	DECAL, TOUCAN 20E / AUTOCOLLANT TOUCAN 20E	
27	AU2138	4	DECAL, WHEEL LOAD / AUTOCOLLANT CHARGES SUR ROUES	
28	AU2132	1	DESCRIPTION / DESCRIPTION	
29	AU2133	1	DECAL, LIFTING LUG / AUTOCOLLANT ELINGUAGE <b>(Prior to SN A300052840)</b>	E
29	AU2212	1	DECAL,MAST MANUAL DESCENT / AUTOCOLLANT DESCENTE MANUELLE MAT <b>(SN A300052840 to Present)</b>	E
30	AU2134	2	DECAL, MANUAL SWING / AUTOCOLLANT ORIENTATION MANUELLE	
31	AU2062	1	ADHESIVE ANTI-SKID BAND (150x600) / BANDE ADHESIVE ANTIDERAPANTE (150x600)	
32	Not Required	1	NOT REQUIRED / NON REQUIS	E
33	Not Required	1	NOT REQUIRED / NON REQUIS	E
34	Not Required	1	NOT REQUIRED / NON REQUIS	E
35	Not Required	1	NOT REQUIRED / NON REQUIS	E
36	Not Required	1	NOT REQUIRED / NON REQUIS	E
37	Not Required	1	NOT REQUIRED / NON REQUIS	E
38	Not Required	1	NOT REQUIRED / NON REQUIS	E
39	Not Required	1	NOT REQUIRED / NON REQUIS	E
40	Not Required	1	NOT REQUIRED / NON REQUIS	E
41	AU2210	1	DECAL,EMERGENCY CONTROLS / AUTOCOLLANT SECOURS	E
42	AU2215	1	DECAL,SLACK CHAIN DETECTION / AUTOCOLLANT MOU DE CHAINE	E
43	AU2228	1	DECAL,INDICATOR COVER D42 / AUTOCOLLANT MASQUE D42	E
44	AU2229	1	DECAL,BATTERY CHARGER PLUG / AUTOCOLLANT PRISE CHARGEUR	E
45	AU2206	1	DECAL,INDICATOR COVER D28 / AUTOCOLLANT CACHE VOYANT D28	E
0	PA1154	REF	<b>CHART,DECALS T20E CSA / AUTOCOLLANTS T20E CSA</b>	E
4	1701499	5	TIE DOWN DECAL / AU ARRIMAGE	
5	1701640	1	DECAL, MANUAL / AUTOCOLLANT, MANUEL	
6	1703811	2	DECAL, LIFTING LUG / AUTOCOLLANT, ANNEAU DE LEVAGE	
7	1703814	5	DECAL, TIE DOWN / AUTOCOLLANT, ARRIMAGE	
8	1704016	2	DECAL, FORKLIFT LOCATION / AUTOCOLLANT, PRISE FOURCHE	
9	1704277	2	DECAL, LANYARD ATTACH / AUTOCOLLANT, ATTACHE HARNAIS	
10	1703785	1	DECAL, WARNING-EXPLOSION / AUTOCOLLANT, DANGER-EXPLOSION	
12	1706740	1	DECAL, BATTERY DISCONNECT / AUTOCOLLANT, DECONNEXION BATTERIE	
13	1704885	2	WWW.JLG.COM DECAL / AUTOCOLLANT WWW.JLG.COM	
14	AU0149	4	DECAL REP DRIVE DIRECTION / AUTOCOLLANT, REP SENS MARCHE	
15	AU1423	1	DECAL, FILTER CHANGE DECAL / AUTOCOLLANT, CHANGEMENT DE FILTRE	
16	AU2095	1	DECAL, JIB MANUAL DESCENT / AUTOCOLLANT DESCENTE BRAS	
17	AU2097	1	DECAL, OIL LEVEL / AUTOCOLLANT NIVEAU D'HUILE	
18	AU2098	2	DECAL, INSERT FORKS / AUTOCOLLANT PRISES DE	

## SECTION 9 - DECALS INSTALL / INSTALLATION AUTOCOLLANTS

ITEM	PART NUMBER	QTY	DESCRIPTION	REV
19	AU2120	1	FOURCHE DECAL, LOADS AND INSTRUCTION / AUTOCOLLANT CHARGES ET CONSIGNE	
20	AU2118	3	DECAL, ELECTROCUTION HAZARD / AUTOCOLLANT RISQUE ELECTROCUTION	
21	AU2104	1	DECAL, BATTERY FILLING / AUTOCOLLANT REMPLISSAGE BATTERIE	
22	AU2105	3	DECAL, NO KARCHER / AUTOCOLLANT KARCHER	
23	Not Required	1	NOT REQUIRED / NON REQUIS	
24	Not Required	1	NOT REQUIRED / NON REQUIS	
25	AU2156	1	DECAL, SAFETY INSTRUCTIONS FR/GB / AUTOCOLLANT FR/GB INSTRUCTIONS	
26	AU2139	2	DECAL, TOUCAN 20E / AUTOCOLLANT TOUCAN 20E	
27	AU2138	4	DECAL, WHEEL LOAD / AUTOCOLLANT CHARGES SUR ROUES	
28	AU2132	1	DESCRIPTION / DESCRIPTION	
29	AU2133	1	DECAL, LIFTING LUG / AUTOCOLLANT ELINGUAGE <b>(Prior to SN A300052840)</b>	E
29	AU2212	1	DECAL,MAST MANUAL DESCENT / AUTOCOLLANT DESCENTE MANUELLE MAT <b>(SN A300052840 to Present)</b>	E
30	AU2134	2	DECAL, MANUAL SWING / AUTOCOLLANT ORIENTATION MANUELLE	
31	AU2062	1	ADHESIVE ANTI-SKID BAND (150x600) / BANDE ADHESIVE ANTIDERAPANTE (150x600)	
32	1705514	1	CSA DECAL / AUTOCOLLANT CSA	
33	AU2162	1	DECAL, LOADS AND SAFETY INSTRUCTIONS FR / AUTOCOLLANT FR CHARGES ET CONSIGNE	
34	AU2140	1	DECAL, HAND CRUSHING HAZARD FR / AUTOCOLLANT FRANCE COINCEMENT MAIN	
35	AU2143	3	DECAL, CRUSHING HAZARD FR / AUTOCOLLANT FRANCE COINCEMENT	
36	AU2144	3	DECAL, ELECTROCUTION HAZARD FR / AUTOCOLLANT FRANCE RISQUE ELECTROCUTION	
37	AU2145	1	DECAL, WARNING EXPLOSION FR / AUTOCOLLANT FRANCE DANGER EXPLOSION	
38	AU2159	1	DECAL, CRUSHING HAZARD CSA / AUTOCOLLANT CSA COINCEMENT	
39	AU2119	1	DECAL, HAND CRUSHING HAZARD / AUTOCOLLANT COINCEMENT MAIN	
40	AU2117	3	DECAL, CRUSHING HAZARD / AUTOCOLLANT RISQUE ECRASEMENT	
41	AU2210	1	DECAL,EMERGENCY CONTROLS / AUTOCOLLANT SECOURS	E
42	AU2215	1	DECAL,SLACK CHAIN DETECTION / AUTOCOLLANT MOU DE CHAINE	E
43	AU2228	1	DECAL,INDICATOR COVER D42 / AUTOCOLLANT MASQUE D42	E
44	AU2229	1	DECAL,BATTERY CHARGER PLUG / AUTOCOLLANT PRISE CHARGEUR	E
45	AU2206	1	DECAL,INDICATOR COVER D28 / AUTOCOLLANT CACHE VOYANT D28	E
0	PA1155	REF	<b>CHART,DECALS T20E SP/PT / AUTOCOLLANTS T20E PT/SP</b>	E
4	1701499	5	TIE DOWN DECAL / AU ARRIMAGE	
5	1701640	1	DECAL, MANUAL / AUTOCOLLANT, MANUEL	
6	1703811	2	DECAL, LIFTING LUG / AUTOCOLLANT, ANNEAU DE LEVAGE	
7	1703814	5	DECAL, TIE DOWN / AUTOCOLLANT, ARRIMAGE	
8	1704016	2	DECAL, FORKLIFT LOCATION / AUTOCOLLANT, PRISE FOURCHE	



## SECTION 9 - DECALS INSTALL / INSTALLATION AUTOCOLLANTS

ITEM	PART NUMBER	QTY	DESCRIPTION	REV
9	1704277	2	DECAL, LANYARD ATTACH / AUTOCOLLANT, ATTACHE HARNAIS	
10	1704023	1	DECAL, WARNING EXPLOSION PT / AUTOCOLLANT BRESIL DANGER EXPLOSION	
12	1706740	1	DECAL, BATTERY DISCONNECT / AUTOCOLLANT, DECONNEXION BATTERIE	
13	1704885	2	WWW.JLG.COM DECAL / AUTOCOLLANT WWW.JLG.COM	
14	AU0149	4	DECAL REP DRIVE DIRECTION / AUTOCOLLANT, REP SENS MARCHE	
15	AU1423	1	DECAL, FILTER CHANGE DECAL / AUTOCOLLANT, CHANGEMENT DE FILTRE	
16	AU2095	1	DECAL, JIB MANUAL DESCENT / AUTOCOLLANT DESCENTE BRAS	
17	AU2097	1	DECAL, OIL LEVEL / AUTOCOLLANT NIVEAU D'HUILE	
18	AU2098	2	DECAL, INSERT FORKS / AUTOCOLLANT PRISES DE FOURCHE	
19	AU2164	1	DECAL, LOADS AND SAFETY INSTRUCTIONS PT / AUTOCOLLANT PT CHARGES ET CONSIGNE	
20	AU2155	3	DECAL, ELECTROCUTION HAZARD PT / AUTOCOLLANT PT/SP RISQUE ELECTROCUTION	
21	AU2104	1	DECAL, BATTERY FILLING / AUTOCOLLANT REMPLISSAGE BATTERIE	
22	AU2105	3	DECAL, NO KARCHER / AUTOCOLLANT KARCHER	
23	Not Required	1	NOT REQUIRED / NON REQUIS	
24	Not Required	1	NOT REQUIRED / NON REQUIS	
25	AU2158	1	DECAL, SAFETY INSTRUCTIONS SP/PT / AUTOCOLLANT SP/PT INSTRUCTIONS	
26	AU2139	2	DECAL, TOUCAN 20E / AUTOCOLLANT TOUCAN 20E	
27	AU2138	4	DECAL, WHEEL LOAD / AUTOCOLLANT CHARGES SUR ROUES	
28	AU2132	1	DESCRIPTION / DESCRIPTION	
29	AU2133	1	DECAL, LIFTING LUG / AUTOCOLLANT ELINGUAGE <b>(Prior to SN A300052840)</b>	E
29	AU2212	1	DECAL,MAST MANUAL DESCENT / AUTOCOLLANT DESCENTE MANUELLE MAT <b>(SN A300052840 to Present)</b>	E
30	AU2134	2	DECAL, MANUAL SWING / AUTOCOLLANT ORIENTATION MANUELLE	
31	AU2062	1	ADHESIVE ANTI-SKID BAND (150x600) / BANDE ADHESIVE ANTIDERAPANTE (150x600)	
32	Not Required	1	NOT REQUIRED / NON REQUIS	
33	AU2163	1	DECAL, LOADS AND SAFETY INSTRUCTIONS SP / AUTOCOLLANT SP CHARGES ET CONSIGNE	
34	AU2147	1	DECAL, HAND CRUSHING HAZARD SP / AUTOCOLLANT ESPAGNOL COINCEMENT MAIN	
35	AU2149	3	DECAL, CRUSHING HAZARD SP / AUTOCOLLANT ESPAGNOL COINCEMENT	
36	AU2150	3	DECAL, ELECTROCUTION HAZARD SP / AUTOCOLLANT ESPAGNOL RISQUE ELECTROCUTION	
37	1704031	1	DECAL, WARNING EXPLOSION SP / AUTOCOLLANT ESPAGNOL DANGER EXPLOSION	
38	AU2161	1	DECAL, CRUSHING HAZARD PT/SP / AUTOCOLLANT PT/SP COINCEMENT	
39	AU2152	1	DECAL, HAND CRUSHING HAZARD PT / AUTOCOLLANT PT/SP COINCEMENT MAIN	
40	AU2154	3	DECAL, CRUSHING HAZARD PT / AUTOCOLLANT PT/SP COINCEMENT	
41	AU2210	1	DECAL,EMERGENCY CONTROLS / AUTOCOLLANT SECOURS	E

## SECTION 9 - DECALS INSTALL / INSTALLATION AUTOCOLLANTS

ITEM	PART NUMBER	QTY	DESCRIPTION	REV
42	AU2215	1	DECAL,SLACK CHAIN DETECTION / AUTOCOLLANT MOU DE CHAINE	E
43	AU2228	1	DECAL,INDICATOR COVER D42 / AUTOCOLLANT MASQUE D42	E
44	AU2229	1	DECAL,BATTERY CHARGER PLUG / AUTOCOLLANT PRISE CHARGEUR	E
45	AU2206	1	DECAL,INDICATOR COVER D28 / AUTOCOLLANT MASQUE D28	E
0	PA1156	REF	<b>CHART,DECALS T20E GB/SP / AUTOCOLLANTS T20E GB/SP</b>	E
4	1701499	5	TIE DOWN DECAL / AU ARRIMAGE	
5	1701640	1	DECAL, MANUAL / AUTOCOLLANT, MANUEL	
6	1703811	2	DECAL,LIFTING LUG / AUTOCOLLANT, ANNEAU DE LEVAGE	
7	1703814	5	DECAL,TIE DOWN / AUTOCOLLANT, ARRIMAGE	
8	1704016	2	DECAL, FORKLIFT LOCATION / AUTOCOLLANT, PRISE FOURCHE	
9	1704277	2	DECAL,LANYARD ATTACH / AUTOCOLLANT, ATTACHE HARNAIS	
10	1703785	1	DECAL,WARNING-EXPLOSION / AUTOCOLLANT, DANGER-EXPLOSION	
12	1706740	1	DECAL, BATTERY DISCONNECT / AUTOCOLLANT, DECONNEXION BATTERIE	
13	1704885	2	WWW.JLG.COM DECAL / AUTOCOLLANT WWW.JLG.COM	
14	AU0149	4	DECAL REP DRIVE DIRECTION / AUTOCOLLANT, REP SENS MARCHE	
15	AU1423	1	DECAL,FILTER CHANGE DECAL / AUTOCOLLANT, CHANGEMENT DE FILTRE	
16	AU2095	1	DECAL,JIB MANUAL DESCENT / AUTOCOLLANT DESCENTE BRAS	
17	AU2097	1	DECAL,OIL LEVEL / AUTOCOLLANT NIVEAU D'HUILE	
18	AU2098	2	DECAL,INSERT FORKS / AUTOCOLLANT PRISES DE FOURCHE	
19	AU2120	1	DECAL,LOADS AND INSTRUCTION / AUTOCOLLANT CHARGES ET CONSIGNE	
20	AU2118	3	DECAL,ELECTROCUTION HAZARD / AUTOCOLLANT RISQUE ELECTROCUTION	
21	AU2104	1	DECAL,BATTERY FILLING / AUTOCOLLANT REMPLISSAGE BATTERIE	
22	AU2105	3	DECAL,NO KARCHER / AUTOCOLLANT KARCHER	
23	Not Required	1	NOT REQUIRED / NON REQUIS	
24	Not Required	1	NOT REQUIRED / NON REQUIS	
25	AU2157	1	DECAL, SAFETY INSTRUCTIONS GB/SP / AUTOCOLLANT GB/SP INSTRUCTIONS	
26	AU2139	2	DECAL,TOUCAN 20E / AUTOCOLLANT TOUCAN 20E	
27	AU2138	4	DECAL,WHEEL LOAD / AUTOCOLLANT CHARGES SUR ROUES	
28	AU2132	1	DESCRIPTION / DESCRIPTION	
29	AU2133	1	DECAL,LIFTING LUG / AUTOCOLLANT ELINGUAGE <b>(Prior to SN A300052840)</b>	E
29	AU2212	1	DECAL,MAST MANUAL DESCENT / AUTOCOLLANT DESCENTE MANUELLE MAT <b>(SN A300052840 to Present)</b>	E
30	AU2134	2	DECAL,MANUAL SWING / AUTOCOLLANT ORIENTATION MANUELLE	
31	AU2062	1	ADHESIVE ANTI-SKID BAND (150x600) / BANDE ADHESIVE ANTIDERAPANTE 150x600)	
32	Not Required	1	NOT REQUIRED / NON REQUIS	
33	AU2163	1	DECAL, LOADS AND SAFETY INSTRUCTIONS SP / AUTOCOLLANT SP CHARGES ET CONSIGNE	
34	AU2147	1	DECAL, HAND CRUSHING HAZARD SP / AUTOCOLLANT	

## SECTION 9 - DECALS INSTALL / INSTALLATION AUTOCOLLANTS

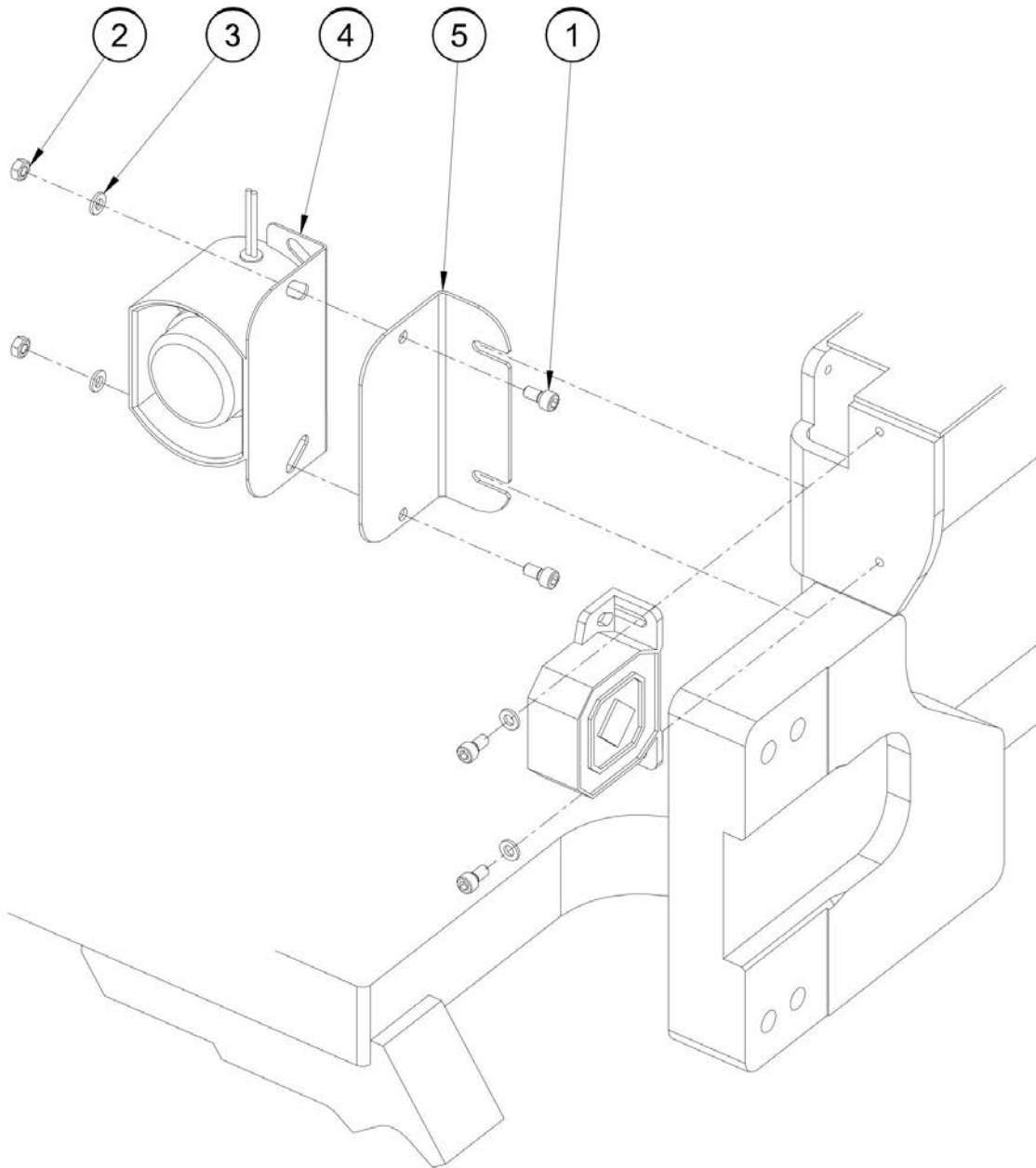
ITEM	PART NUMBER	QTY	DESCRIPTION	REV
35	AU2149	3	ESPAGNOL COINCEMENT MAIN DECAL, CRUSHING HAZARD SP / AUTOCOLLANT ESPAGNOL COINCEMENT	
36	AU2150	3	DECAL, ELECTROCUTION HAZARD SP / AUTOCOLLANT ESPAGNOL RISQUE ELECTROCUTION	
37	1704031	1	DECAL, WARNING EXPLOSION SP / AUTOCOLLANT ESPAGNOL DANGER EXPLOSION	
38	AU2160	1	DECAL, CRUSHING HAZARD GB/SP / AUTOCOLLANT GB/SP COINCEMENT	
39	AU2119	1	DECAL,HAND CRUSHING HAZARD / AUTOCOLLANT COINCEMENT MAIN	
40	AU2117	1	DECAL, CRUSHING HAZARD / AUTOCOLLANT RISQUE ECRASEMENT	
41	AU2210	1	DECAL,EMERGENCY CONTROLS / AUTOCOLLANT SECOURS	E
42	AU2215	1	DECAL,SLACK CHAIN DETECTION / AUTOCOLLANT MOU DE CHAINE	E
43	AU2228	1	DECAL,INDICATOR COVER D42 / AUTOCOLLANT MASQUE D42	E
44	AU2229	1	DECAL,BATTERY CHARGER PLUG / AUTOCOLLANT PRISE CHARGEUR	E
45	AU2206	1	DECAL,INDICATOR COVER D28 / AUTOCOLLANT CACHE VOYANT D28	E



**SECTION 10 - OPTIONS / OPTIONS**

## SECTION 10 - OPTIONS / OPTIONS

FIGURE 10-1. MOTION ALARM INSTALL / INSTALLATION ALARME DE MOUVEMENT



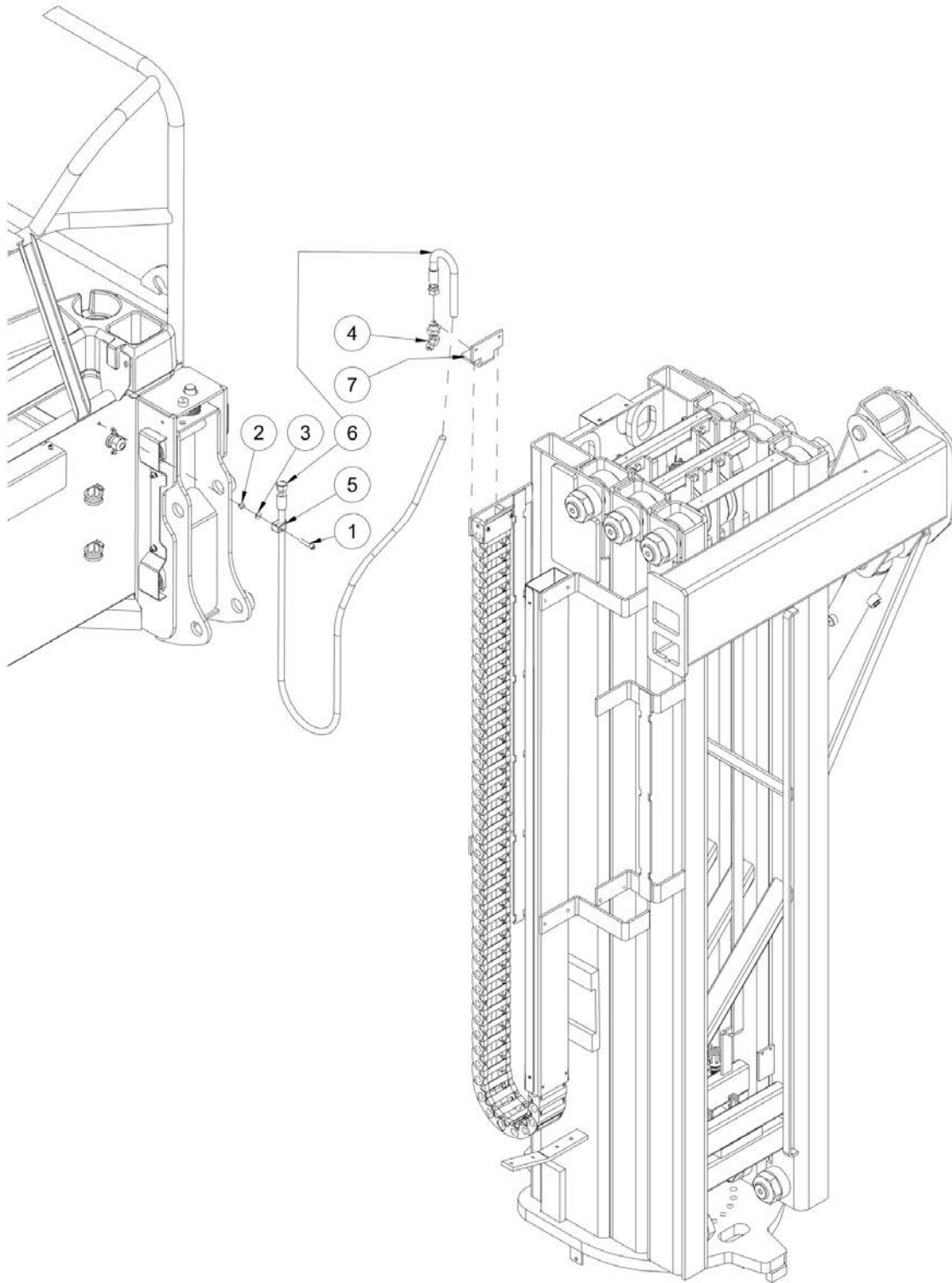
## SECTION 10 - OPTIONS / OPTIONS

**FIGURE 10-1. MOTION ALARM INSTALL / INSTALLATION ALARME DE MOUVEMENT**

ITEM	PART NUMBER	QTY	DESCRIPTION	REV
	OP509		<b>INSTALL,MOTION ALARM; INFO - OP509 / INSTALLATION ALARME DE MOUVEMENT; INFO - OP509</b>	
1	000014	2	M06x12 8.8 SOCKET HEAD MACH SCREW / VIS CHC M06x12 8.8 BI FT	
2	110003	2	M06 GR08 LOCK NUT / ECROU FREIN M6 CL08 BI	
3	120009	2	dD 06x14 LOCK WASHER / RONDELLE CONTACT dD 06x14 BI	
4	PC0466	1	HARNESS,MOTION ALARM / FAISCEAU ALARME DE MOUVEMENT	
5	ST3022	1	MOTION ALARM BRACKET / EQUERRE ALARME DE MOUVEMENTS	

# SECTION 10 - OPTIONS / OPTIONS

FIGURE 10-2. AIR LINE INSTALL / INSTALLATION AIR COMPRIME





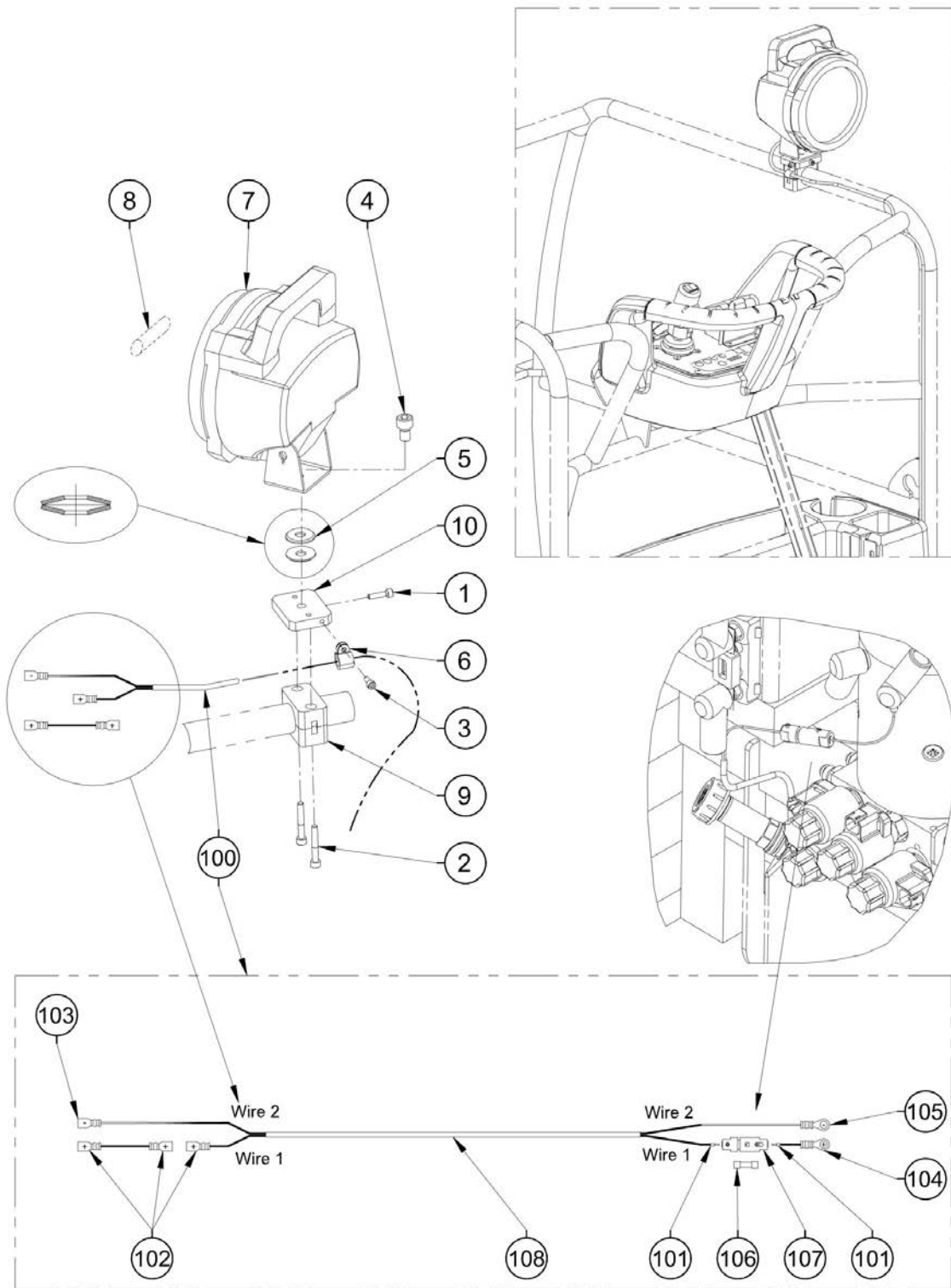
## SECTION 10 - OPTIONS / OPTIONS

**FIGURE 10-2. AIR LINE INSTALL / INSTALLATION AIR COMPRIME**

ITEM	PART NUMBER	QTY	DESCRIPTION	REV
	OP520		<b>INSTALL, AIR LINE; INFO - OP520 / INSTALLATION AIR COMPRIME; INFO - OP520</b>	
1	000016	1	M06x30 8.8 SOCKET HEAD MACH SCREW / VIS CHC M06x30 8.8 BI FT	
2	110003	1	M06 GR08 LOCK NUT / ECROU FREIN M6 CL08 BI	
3	120009	1	dD 06x14 LOCK WASHER / RONDELLE CONTACT dD 06x14 BI	
4	300161	1	45° BULKHEAD JIC 9/16 / TRAVERSEE DE CLOISON 45° JIC 9/16	
5	400047	1	CLAMP, SINGLE D12 / COLLIER D12	
6	DF0986	1	HOSE 5/16-0760cm-JIC Fem 9/16-JIC Fem 9/16 / FLEXIBLE 5/16-0760cm-JIC Fem 9/16-JIC Fem 9/16	
7	ST1969	1	BRACKET / EQUERRE	

# SECTION 10 - OPTIONS / OPTIONS

## FIGURE 10-3. WORKING LIGHT INSTALL / INSTALLATION PHARE DE TRAVAIL



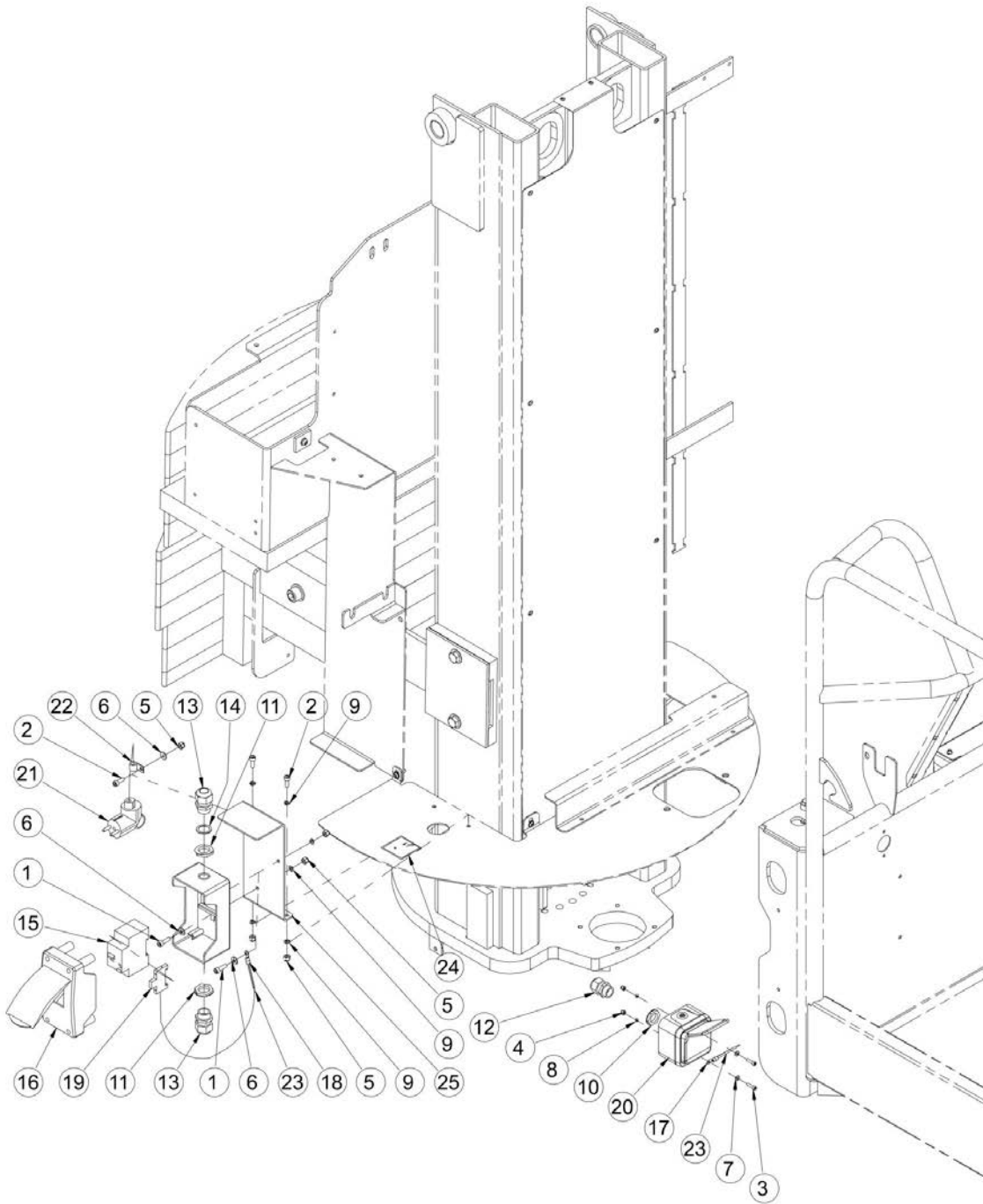
## SECTION 10 - OPTIONS / OPTIONS

**FIGURE 10-3. WORKING LIGHT INSTALL / INSTALLATION PHARE DE TRAVAIL**

ITEM	PART NUMBER	QTY	DESCRIPTION	REV
	OP521		<b>WORKING LIGHT INSTALL / INSTALLATION PHARE DE TRAVAIL</b>	
1	000010	1	M05x20 8.8 SOCKET HEAD MACH SCREW / VIS CHC M05x20 8.8 BI FT	
2	000017	2	M06x40 8.8 SOCKET HEAD MACH SCREW / VIS CHC M06x40 8.8 BI FT	
3	000067	1	M05x12 8.8 SOCKET HEAD MACH SCREW / VIS CHC M05x12 8.8 BI FT	
4	000069	1	M10x16 8.8 SOCKET HEAD MACH SCREW / VIS CHC M10x16 8.8 BI FT	
5	120043	2	BEVEL WASHER Ø28x10.2x1 / RONDELLE RESSORT Ø28x10.2x1 BR	
6	1321293	1	CLAMP,INSULATED BAND / COLLIER ISOLE	
7	260144	1	24V 70W LIGHT / PHARE 24V 70W	
8	260146	1	BULB H3 / 70W / AMPOULE H3 / 70W	
9	400077	1	CLAMP, SINGLE D30 / COLLIER D30	
10	FX158-014	1	PLATFORM LIGHT PLATE / PLATINE PHARE DE TRAVAIL	
100	PC0528	1	<b>HARNES,WORK LIGHT / FAISEAU PHARE DE TRAVAIL</b>	
101	250001	2	FERRULE TERMINAL 1mm <sup>2</sup> / EMBOUT 1mm <sup>2</sup>	
102	250026	3	RED RECEPTACLE TERM. 6.3 - 0.5-1.2mm <sup>2</sup> / COSSE FEMELLE 6.3 ROUGE - 0.5-1.2mm <sup>2</sup>	
103	250027	1	BLUE RECEPTACLE TER. 6.3 - 1.5-2.5mm <sup>2</sup> / COSSE FEM. 6.3 BLEUE 6.3 - 1.5-2.5mm <sup>2</sup>	
104	250084	1	M8 EYELET TERMINAL 0.25-1mm <sup>2</sup> / COSSE A OEIL ISOLEE M8 - 0.25-1mm <sup>2</sup>	
105	250172	1	M08 EYELET TERMINAL 1-2.5mm <sup>2</sup> / COSSE A OEIL ISOLEE M08 - 1-2.5mm <sup>2</sup>	
106	260006	1	5x20 3.15A FUSE / FUSIBLE 5x20 3.15A	
107	260007	1	FUSE HOLDER / PORTE FUSIBLE	
108	270031	12.2	CABLE 2x1mm <sup>2</sup> (quantity indicated in meter) / CABLE 2x1mm <sup>2</sup> (qté indiquée en mètre)	

# SECTION 10 - OPTIONS / OPTIONS

FIGURE 10-4. 230V PLATFORM SOCKET INSTALL / INSTALLATION PRISE PLATE-FORME 230V



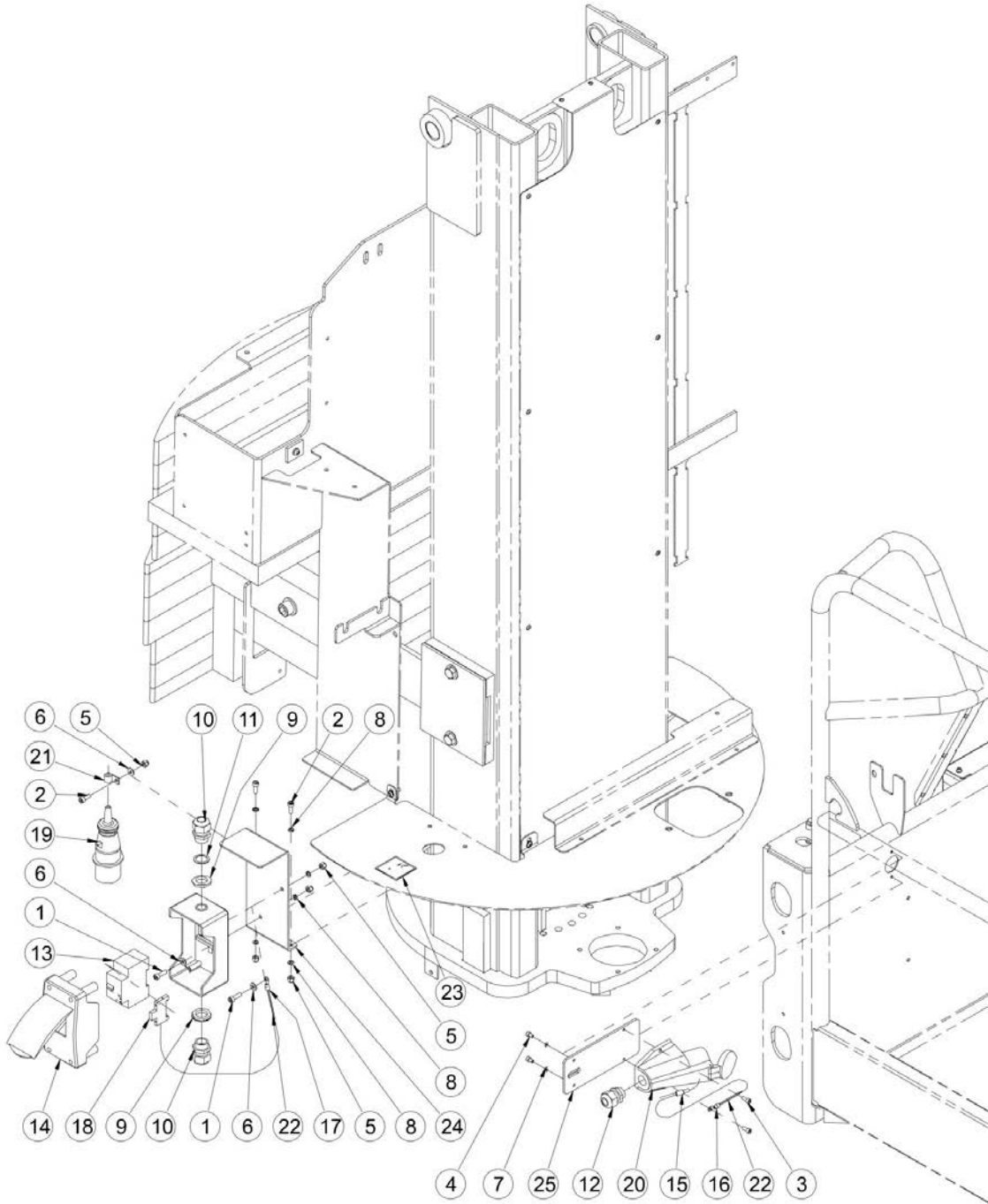
## SECTION 10 - OPTIONS / OPTIONS

**FIGURE 10-4. 230V PLATFORM SOCKET INSTALL / INSTALLATION PRISE PLATE-FORME 230V**

ITEM	PART NUMBER	QTY	DESCRIPTION	REV
	SA0093	Ref	<b>INSTALL,PLATFORM 230V FRENCH SOCKET / INSTALLATION PRISE PANIER FRANCE 230V</b>	C
	SA0094	Ref	<b>INSTALL,PLATFORM 230V GERMAN SOCKET / INSTALLATION PRISE PANIER ALLEMAGNE 230V</b>	C
1	000005	2	M06x20 8.8 SOCKET HEAD MACH SCREW / VIS CHC M06x20 8.8 BI FT	
2	000015	3	M06x16 8.8 SOCKET HEAD MACH SCREW / VIS CHC M06x16 8.8 BI FT	
3	000085	2	M04x16 8.8 SOCKET HEAD MACH SCREW / VIS CHC M04x16 8.8 BI FT	
4	110001	2	M04 GR08 LOCK NUT / ECROU FREIN M4 CL08 BI	
5	110003	5	M06 GR08 LOCK NUT / ECROU FREIN M6 CL08 BI	
6	120009	3	dD 06x14 LOCK WASHER / RONDELLE CONTACT dD 06x14 BI	
7	120024	2	M4 LOCK WASHER / RONDELLE CONTACT M4 BI	
8	120058	2	WASHER,D4 SERRATED LOCK / RONDELLE EVENTAIL D4	B
9	120060	6	WASHER,D6 SERRATED LOCK / RONDELLE EVENTAIL D6	B
10	210011	1	GLAND N°13 NUT / ECROU DE PRESSE ETOUPE N°13	
11	210012	2	GLAND N°16 NUT / ECROU DE PRESSE ETOUPE N°16	
12	210019	1	GLAND N°13 / PRESSE ETOUPE N°13	
13	210021	2	GLAND N°16 / PRESSE ETOUPE N°16	
14	210065	1	N°16 GLAND SEAL / JOINT DE PRESSE ETOUPE N°16	
15	1001181045	1	CUTOUT 30 mA / DISJONCTEUR DIFFERENTIEL 30 mA	C
16	240093	1	CUTOUT BOX / BOITIER DISJONCTEUR	
17	250090	1	M5 EYELET TERMINAL 1-2.5mm <sup>2</sup> / COSSE A OEIL ISOLEE M5 - 1-2.5mm <sup>2</sup>	
18	250091	1	M6 EYELET TERMINAL 1-2.5mm <sup>2</sup> / COSSE A OEIL ISOLEE M6 - 1-2.5mm <sup>2</sup>	
19	250135	1	TERMINAL BLOCK VICKING / BLOC DE JONCTION VICKING	
20	260029	1	FRENCH 230 VAC SOCKET 2P+T / PRISE FEM. FRANCAISE 230VAC 2P+T	
20	260187	1	GERMAN 230 VAC SOCKET 2P+T / PRISE FEM. ALLEMANDE 230VAC 2P+T	
21	260214	1	FRENCH AND GERMAN 230V CONNECTOR / PRISE 230V FRANCAISE ET ALLEMANDE	
22	1321293	1	CLAMP,INSULATED BAND / COLLIER ISOLE	
23	270002	0.5	WIRE 2 mm <sup>2</sup> Y/G (qty indicated in meter) / FIL 2 mm <sup>2</sup> V/J (qté indiquée en mètre)	B
24	AU1716	1	PLATFORM SOCKET DECAL / AUTOCOLLANT PRISE PANIER	
25	ST3438	1	SUPPORT,BREAKER BOX / SUPPORT COUPE CIRCUIT	

# SECTION 10 - OPTIONS / OPTIONS

FIGURE 10-5. 115V IEC PLATFORM SOCKET INSTALL / INSTALLATION PRISE PLATE-FORME 115V EIC



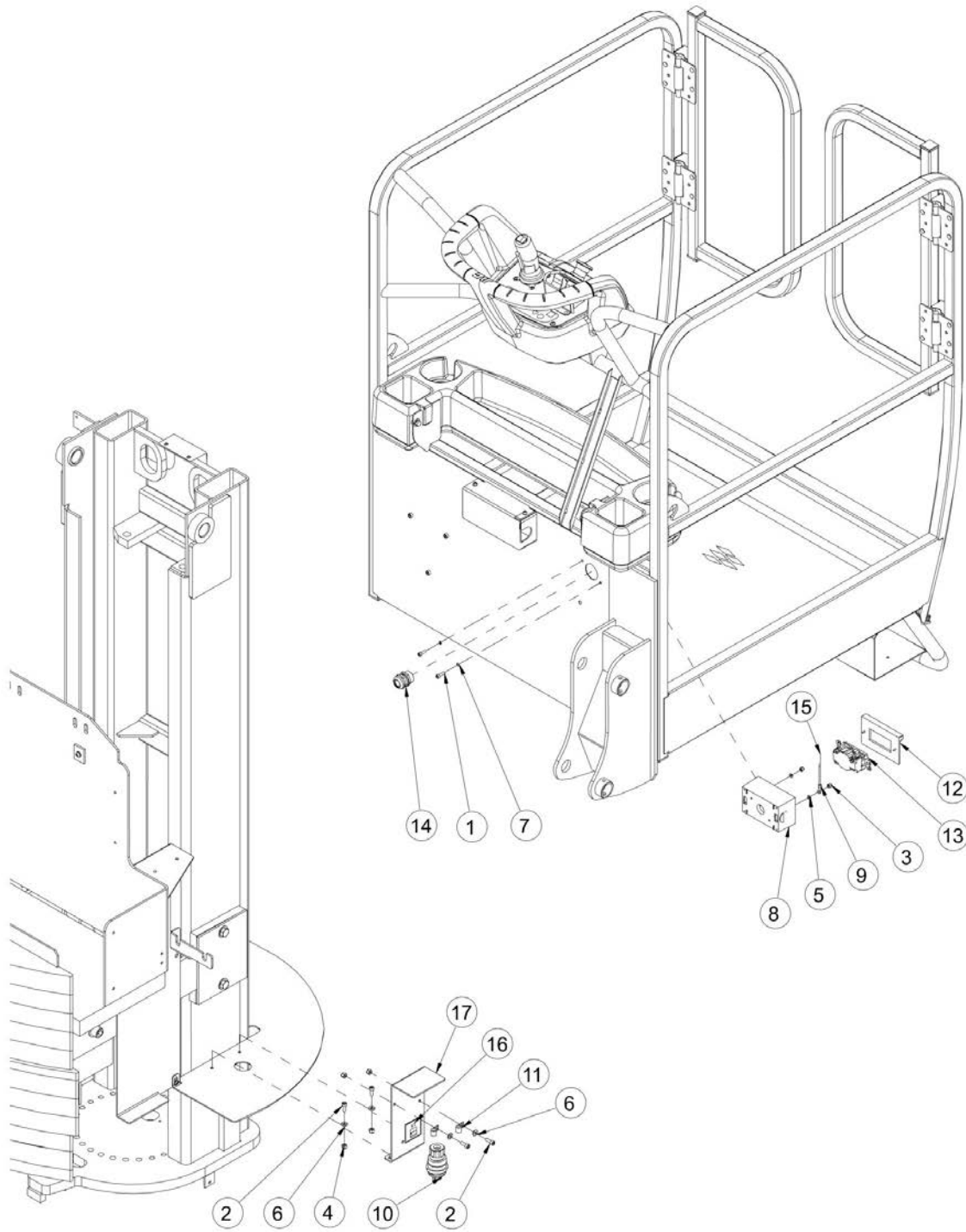
## SECTION 10 - OPTIONS / OPTIONS

**FIGURE 10-5. 115V IEC PLATFORM SOCKET INSTALL / INSTALLATION PRISE PLATE-FORME 115V EIC**

ITEM	PART NUMBER	QTY	DESCRIPTION	REV
	SA0095		<b>INSTALL,PLATFORM 115V IEC SOCKET; INFO - SA0095 / INSTALLATION PRISE PANIER IEC 115V; INFO - SA0095</b>	C
1	000005	2	M06x20 8.8 SOCKET HEAD MACH SCREW / VIS CHC M06x20 8.8 BI FT	
2	000015	3	M06x16 8.8 SOCKET HEAD MACH SCREW / VIS CHC M06x16 8.8 BI FT	
3	000067	2	M05x12 8.8 SOCKET HEAD MACH SCREW / VIS CHC M05x12 8.8 BI FT	
4	000089	2	M05x08 8.8 SOCKET HEAD MACH SCREW / VIS CHC M05x08 8.8 BI FT	
5	110003	5	M06 GR08 LOCK NUT / ECROU FREIN M6 CL08 BI	
6	120009	3	dD 06x14 LOCK WASHER / RONDELLE CONTACT dD 06x14 BI	B
7	120059	2	WASHER,D5 SERRATED LOCK / RONDELLE EVENTAIL D5	B
8	120060	6	WASHER,D6 SERRATED LOCK / RONDELLE EVENTAIL D6	B
9	210012	2	GLAND N°16 NUT / ECROU DE PRESSE ETOUPE N°16	
10	210021	2	GLAND N°16 / PRESSE ETOUPE N°16	
11	210065	1	N°16 GLAND SEAL / JOINT DE PRESSE ETOUPE N°16	
12	210066	1	M20 CABLE GLAND / PRESSE ETOUPE M20	
13	1001181045	1	CUTOOUT 30 mA / DISJONCTEUR DIFFERENTIEL 30 mA	C
14	240093	1	CUTOOUT BOX / BOITIER DISJONCTEUR	
15	250071	1	INSULATED SOCKET TERMINAL Ø5 / COSSE CYLINDRIQUE FEM. ISOLEE Ø5	B
16	250090	1	M5 EYELET TERMINAL 1-2.5mm <sup>2</sup> / COSSE A OEIL ISOLEE M5 - 1-2.5mm <sup>2</sup>	B
17	250091	1	M6 EYELET TERMINAL 1-2.5mm <sup>2</sup> / COSSE A OEIL ISOLEE M6 - 1-2.5mm <sup>2</sup>	
18	250135	1	TERMINAL BLOCK VICKING / BLOC DE JONCTION VICKING	
19	260213	1	CONNECTOR 115VAC/16A IEC60309 / PRISE MALE 115VAC/16A CEI60309	
20	260258	1	115 VAC IEC60309 SURFACE SOCKET / PRISE FEMELLE FIXE 115VAC CEI60309	
21	1321293	1	CLAMP, INSULATED BAND / COLLIER ISOLE	
22	270002	2	WIRE 2 mm <sup>2</sup> Y/G (qty indicated in meter) / FIL 2 mm <sup>2</sup> V/J (qté indiquée en mètre)	B
23	AU1716	1	PLATFORM SOCKET DECAL / AUTOCOLLANT PRISE PANIER	
24	ST3438	1	SUPPORT,BREAKER BOX / SUPPORT COUPE CIRCUIT	
25	ST3439	1	SUPPORT, SOCKET 115V / SUPPORT PRISE 115V	

# SECTION 10 - OPTIONS / OPTIONS

FIGURE 10-6. 115V USA PLATFORM SOCKET INSTALL / INSTALLATION PRISE PLATE-FORME 115V USA





## SECTION 10 - OPTIONS / OPTIONS

**FIGURE 10-6. 115V USA PLATFORM SOCKET INSTALL / INSTALLATION PRISE PLATE-FORME 115V USA**

ITEM	PART NUMBER	QTY	DESCRIPTION	REV
	SA0104		<b>INSTALL,PLATFORM 115V USA SOCKET; INFO - SA0104 / INSTALLATION PRISE PANIER USA 115V; INFO - SA0104</b>	B
1	000003	2	M05x16 8.8 SOCKET HEAD MACH SCREW / VIS CHC M05x16 8.8 BI FT	
2	000015	4	M06x16 8.8 SOCKET HEAD MACH SCREW / VIS CHC M06x16 8.8 BI FT	
3	110002	2	M05 GR08 LOCK NUT / ECROU FREIN M5 CL08 BI	
4	110003	4	M06 GR08 LOCK NUT / ECROU FREIN M6 CL08 BI	
5	120002	2	M05 WASHER / RONDELLE M05 BI	
6	120009	4	dD 06x14 LOCK WASHER / RONDELLE CONTACT dD 06x14 BI	
7	120059	2	WASHER,D5 SERRATED LOCK / RONDELLE EVENTAIL D5	B
8	230016	1	ELECTRICAL BOX / BOITIER ELECTRIQUE	
9	250090	1	M5 EYELET TERMINAL 1-2.5mm <sup>2</sup> / COSSE A OEIL ISOLEE M5 - 1-2.5mm <sup>2</sup>	B
10	260276	1	US 125 VAC MALE CONNec. (=7364002824) / PRISE US 125VAC (=7364002824)	
11	1321293	2	CLAMP,INSULATED BAND / COLLIER ISOLE	
12	4060700	1	CIRCUIT BREAKER COVER / COUVERCLE COUPE CIRCUIT	
13	4460346	1	CIRCUIT BREAKER KIT / KIT COUPE CIRCUIT	
14	7364001818	1	STRAIN RELIEF CONNECTOR / PRESSE ETOUPE	
15	270002	0.3	WIRE 2 mm <sup>2</sup> Y/G (qty indicated in meter) / FIL 2 mm <sup>2</sup> V/J (qté indiquée en mètre)	B
16	AU1716	1	PLATFORM SOCKET DECAL / AUTOCOLLANT PRISE PANIER	
17	ST3438	1	SUPPORT,BREAKER BOX / SUPPORT COUPE CIRCUIT	



**SECTION 11 - RECOMMENDED PART LIST / LISTE DE PIÈCES  
RECOMMANDÉES**

**SECTION 11 - RECOMMENDED PART LIST / LISTE DE PIÈCES  
RECOMMANDÉES**

# SECTION 11 - RECOMMENDED PART LIST / LISTE DE PIÈCES RECOMMANDÉES

FIGURE 11-1. RECOMMENDED PARTS LIST / LISTE DES PIÈCES RECOMMANDÉES

ITEM	PART NUMBER	QTY	DESCRIPTION	REV
	Note		The following list will service one Machine with emergency repair parts which can be installed in the field. Parts from the list should be replaced when inventory is depleted to keep service parts stock supplied. For further information, contact your JLG Industries Parts Department. / La liste suivante indique (pour une Machine) les pièces de réparation d'urgence qui peuvent être installées sur le terrain. La quantité de pièces de cette liste doit être tenue en stock minimum. Pour de plus amples informations, contactez votre SAV JLG Industries.	~Ref
		Ref	<b>STANDARD PARTS / PIÈCES STANDARD</b>	
	310103	1	BREATHER CAP / BOUCHON-RENIFLARD	
	3740150	1	RELAY, 24VDC/100A / RELAIS, 24VDC/100A	
	2860030	1	KEY (INCLUDED IN ITEM 4360469) / CLE (COMPRISE DANS REF 4360469)	
	1001091989	1	MEMBRANE SWITCHES / INTERUPTEURS A MEMBRANE	
	260079	1	325A FUSE / FUSIBLE 325A	
	930134	1	FILTER, CARTRIDGE,10µm / ELEMENT FILTRANT 10µm	
	7027367	1	SWITCH ENABLER / CONCTACT VALIDATION	
	4360562	1	COMPLETE KNOB / ARRET D'URGENCE COMPLET	
	1001115919	1	SWITCH,PUSH BUTTON-ENABLE / B P DE VALIDATION	
	240056	1	NO CONTACT BASE / EMBASE CONTACT NO	
		Ref	<b>VARIABLE PARTS / AUTRES PIÈCES</b>	
	KT0150	1	KIT-DECAL AND PLATE AND SEAL - LCB / KIT AU&PLATINE&JOINT BOITIER BAS ( <b>Prior to SN A300053008</b> )	
	SE1202	1	KIT(SERVICE),DECAL PLATE AND SEAL / KIT AU&PLATINE&JOINT BOITIER BAS ( <b>SN A300053008 to Present</b> )	
	260323	1	NO/NC SWITCH PG11 / CAPTEUR NO/NF PE11	
	PC0478	1	SENSOR,TILT 1,9° / DETECTEUR DE DEVERS 1.9°	
	4000008	1	SENSOR,PROXIMITY ASSEMBLY / FAISCEAU DETECTEUR DE PROXIMITE	
	260016	2	NO/NC SWITCH PG13,PRIOR JUNE 2011 - CROUZET / CAPTEUR NO/NF PE13,AVANT JUIN 2011 - CROUZET	
	260327	2	NO/NC SWITCH PG11,JUNE 2011 TO PRESENT - TELEMECANIQUE / CAPTEUR NO/NF PE11,JUIN 2011 A AUJOURD'HUI - TELEMECANIQUE	
	PC0468	1	HARNESS, LOAD SENSING SWITCH / FAISCEAU CAPTEUR DE SURCHARGE	
	4360505	1	SWITCH,ROTARY ANGLE SENSOR / CAPTEUR D'ANGLE	
	130064	4	D8 FAST-LEAD THREAD SCREW / VIS D8 PAS RAPIDE TETE LARGE	
	1001109503	1	MULTIDISPLAY INDICATOR / AFFICHEUR MULTIFONCTION	
	4360469	1	3 POSITIONS KEY SELECTOR / SELECTEUR A CLE 3 POSITIONS	
	1600458	1	JOYSTICK / JOYSTICK	
	1001100421	1	JOYSTICK SINGLE AXE / JOYSTICK 1 AXE	
	1001109239	1	PC BOARD PLATFORM MODULE / CARTE BOITIER HAUT PROGRAMMEE	
	260318	2	CONTROLLER,ZAPI COMBI ACO / VARIATEUR COMBI-ACO	
	952099	6	COIL 24VDC_3012599 / BOBINE 24VDC_3012599	

**SECTION 11 - RECOMMENDED PART LIST / LISTE DE PIECES  
RECOMMANDEES**

<b>ITEM</b>	<b>PART NUMBER</b>	<b>QTY</b>	<b>DESCRIPTION</b>	<b>REV</b>
	952101	1	COIL 24VADC_3110057 / BOBINE 24VADC_3110057	



**SECTION 11 - RECOMMENDED PART LIST / LISTE DE PIÈCES  
RECOMMANDÉES**

**PART NUMBER INDEX**

# SECTION 11 - RECOMMENDED PART LIST / LISTE DE PIÈCES RECOMMANDEES

000003.....	11, 17, 64, 121	1001212356.....	102	130060.....	12	210021.....	117, 119
000004.....	89	1001215691.....	73	130062.....	12, 17, 18, 59	210062.....	82
000005.....	64, 71, 117, 119	1001239741.....	65	130064.....	11, 17, 124	210065.....	117, 119
000006.....	49, 55, 89, 93	1001239742.....	65	130066.....	64	210066.....	119
000007.....	98	1001248510.....	65	1321293.....	55, 71, 98, 115, 117, 119, 121	230016.....	121
000008.....	25, 49, 53, 56, 64	1001248511.....	65	140009.....	41	2400060.....	83
000010.....	115	1001248513.....	65	140014.....	71	240056.....	59, 124
000014.....	12, 18, 35, 49, 53, 55, 56, 64, 71, 93, 98, 111	100156.....	71	140016.....	37	240057.....	21, 59
000015.....	11, 17, 35, 64, 85, 89, 93, 117, 119, 121	1060688.....	90, 94	140024.....	71	240058.....	59
000016.....	64, 113	1060689.....	90, 93	150002.....	41	240060.....	21, 59
000017.....	25, 115	110001.....	17, 117	150004.....	25	240076.....	21, 59
000023.....	35	110002.....	11, 17, 55, 64, 121	150007.....	45	240093.....	117, 119
000030.....	64	110003.....	11, 17, 25, 37, 43, 45, 49, 53, 55, 64, 71, 89, 93, 111, 113, 117, 119, 121	150009.....	37	250001.....	115
000032.....	55	110004.....	41, 49, 55, 89, 93	150011.....	43	250026.....	85, 115
000050.....	98	110005.....	26, 55	150019.....	26, 41	250027.....	85, 115
000051.....	64	110008.....	25	150039.....	55	250031.....	71, 85
000067.....	55, 98, 115, 119	110009.....	41	150052.....	49, 56	250060.....	83
000069.....	115	110010.....	41	150058.....	26	250071.....	119
000077.....	25, 64	110015.....	64, 89, 93	150059.....	25	250084.....	84, 85, 115
000085.....	117	110016.....	35	1580012.....	50, 53, 56	250090.....	117, 119, 121
000089.....	11, 119	110017.....	35	160010.....	98	250091.....	83, 117, 119
000090.....	49, 53, 55	110019.....	41	160018.....	71	250135.....	117, 119
000093.....	59	110020.....	41	1600458.....	59, 124	250172.....	115
0140011.....	59	110022.....	49, 55	170007.....	41	250211.....	90, 93
0630580.....	26	110026.....	11, 17, 35, 64, 89, 93	170008.....	41	250213.....	90, 93
0641406.....	50, 53, 56	110040.....	11, 17	170009.....	41	250227.....	83
0840060.....	85	110041.....	64	170010.....	41	250230.....	83
0861784.....	59	110042.....	89, 93	1701499.....	101, 102, 103, 104, 106	260006.....	115
100005.....	89, 93	120002.....	55, 64, 98, 121	1701640.....	101, 102, 103, 104, 106	260007.....	115
100007.....	55	120003.....	49, 56	1702773.....	101	260016.....	82, 124
100008.....	37	120004.....	11, 17, 35, 49, 53, 56	1703785.....	102, 103, 106	2600281.....	53
100009.....	25	120006.....	41	1703811.....	101, 102, 103, 104, 106	260029.....	117
100013.....	25, 43, 45, 53	120008.....	35	1703814.....	101, 102, 103, 104, 106	260077.....	71
100021.....	12, 18, 35	120009.....	11, 12, 17, 18, 26, 35, 49, 53, 55, 56, 64, 71, 85, 89, 93, 98, 111, 113, 117, 119, 121	1704016.....	101, 102, 103, 104, 106	260079.....	71, 124
100027.....	11, 17, 64	120010.....	35, 41, 55, 89, 93	1704023.....	105	260144.....	115
100038.....	35	120011.....	71	1704031.....	105, 107	260146.....	115
100051.....	64, 89, 93	120015.....	35	1704277.....	101, 102, 103, 105, 106	260187.....	117
100053.....	25	120017.....	41	1704885.....	102, 103, 105, 106	260213.....	119
100054.....	49, 55, 56	120018.....	49, 56	1705514.....	104	260214.....	117
100063.....	41	120024.....	49, 53, 55, 98, 117	1705781.....	101	260240.....	21
100091.....	55	120033.....	12, 18	1705803.....	101	260243.....	21
100098.....	26	120043.....	115	1706493.....	101	260258.....	119
100102.....	25	120054.....	12, 18, 25	1706740.....	101, 102, 103, 105, 106	260259.....	89
100103.....	25, 35	120055.....	26	1706764.....	101	260260.....	89
100104.....	25	120056.....	98	1706898.....	59	260274.....	85
1001091102.....	17	120057.....	11, 17	180003.....	26	260275.....	82
1001091989.....	59, 124	120058.....	117	180009.....	11, 17	260276.....	121
1001100421.....	59, 124	120059.....	119, 121	190072.....	11, 17	260318.....	25, 124
1001109239.....	59, 124	120060.....	11, 17, 117, 119	190074.....	11, 17	260321.....	82
1001109503.....	21, 124	130003.....	37	190077.....	89, 93	260323.....	82, 124
1001112111.....	89, 93	130007.....	64	2080040.....	53	260324.....	55
1001112112.....	93	130021.....	11, 17	210011.....	117	260327.....	82, 124
1001112113.....	93	130034.....	35	210012.....	117, 119	260329.....	82
1001114466.....	26	130059.....	21	210018.....	55, 82	270002.....	117, 119, 121
1001115919.....	59, 124			210019.....	117	270022.....	55
1001117177.....	59					270031.....	115
1001155328.....	60					270059.....	85
1001181045.....	117, 119					2780266.....	25, 29
1001187631.....	18					280023.....	49, 55
1001192401.....	84					2860030.....	21, 124
1001210948.....	18					290066.....	12, 18
						300001.....	25
						300025.....	73
						300034.....	77



## SECTION 11 - RECOMMENDED PART LIST / LISTE DE PIÈCES RECOMMANDEES

300040 .....	37, 73	4460931 .....	84	952099.....	73, 75, 77, 124	AU2154 .....	105
300047 .....	73	4460932 .....	84, 85	952100.....	73	AU2155 .....	105
300061 .....	71	4460933 .....	83	952101.....	73, 125	AU2156 .....	104
300101 .....	73	4460943 .....	84	952102.....	75, 77	AU2157 .....	106
300161 .....	113	4460944 .....	83, 84	952103.....	77	AU2158 .....	105
310091 .....	73	4460970 .....	84	952104.....	75	AU2159 .....	104
310103 .....	73, 124	4461076 .....	82	952105.....	77	AU2160 .....	107
320049 .....	37	4461077 .....	85	952106.....	75	AU2161 .....	105
3340962 .....	53, 55	4751400 .....	50, 53, 56	952107.....	75, 77	AU2162 .....	104
3575796 .....	59	4761400 .....	50, 53, 56	952108.....	73	AU2163 .....	105, 106
3740150 .....	71, 124	500021 .....	35	952157.....	77	AU2164 .....	105
3820019 .....	59	500043 .....	37	960097.....	41	AU2206 ....	103, 104, 106, 107
3820037 .....	53, 64	510086 .....	25, 31, 83	960098.....	41	AU2207 .....	21
3900357 .....	59	510089 .....	89	960099.....	25	AU2210 ....	102, 103, 104, 105, 107
3900358 .....	59	520114 .....	71, 73	970065.....	73	AU2212 ....	101, 103, 104, 105, 106
3900359 .....	59	520115 .....	71, 75	AU0149.....	101, 102, 103, 105, 106	AU2215 89, 93, 102, 103, 104, 106, 107	
3900364 .....	59	520116 .....	71, 77	AU1423.....	101, 102, 103, 105, 106	AU2228 ....	103, 104, 106, 107
3960617 .....	59	70000084 .....	59	AU1716.....	117, 119, 121	AU2229 ....	102, 103, 104, 106, 107
4000007 .....	82	70000682 .....	59	AU1825.....	101	DF0002 .....	69
4000008 .....	82, 98, 124	70022816 .....	59	AU2062.....	102, 103, 104, 105, 106	DF0050 .....	69
400010 .....	64	7010641 .....	29	AU2082.....	21	DF0981 .....	69
400012 .....	64, 89, 93	7010642 .....	29	AU2088.....	60	DF0982 .....	69
400015 .....	55	7012524 .....	29	AU2095.....	101, 102, 103, 105, 106	DF0983 .....	69
400018 .....	64	7019697 .....	29	AU2097.....	101, 102, 103, 105, 106	DF0984 .....	69
400037 .....	89, 93	7026183 .....	29	AU2098.....	101, 102, 103, 105, 106	DF0986 .....	113
400047 .....	113	7026184 .....	29	AU2102.....	101	DL0681 .....	41
400048 .....	49	7026185 .....	29	AU2103.....	101	DL0813 .....	26
400057 .....	11, 17	7027365 .....	59	AU2104.....	101, 102, 104, 105, 106	DL0817 .....	60
400059 .....	90	7027367 .....	59, 124	AU2105.....	101, 102, 104, 105, 106	DL0819 .....	25
400077 .....	115	7027765 .....	59	AU2107.....	101	DL0831 .....	12, 18
400086 .....	90	7027766 .....	59	AU2108.....	101	DL0832 .....	12
400092 .....	64	7364001818.....	121	AU2109.....	101	DL0833 .....	12
400093 .....	89	8229242 .....	84	AU2117.....	103, 104, 107	DL0839 .....	41
400096 .....	64	8990147 .....	49, 53, 55	AU2118.....	102, 104, 106	DL0849 .....	41
400098 .....	71	920002 .....	65	AU2119.....	102, 104, 107	DL0862 .....	53
400099 .....	53, 55	920008 .....	65	AU2120.....	102, 104, 106	DL0863 .....	41
4060700 .....	121	920042 .....	64	AU2121.....	103	DL0864 .....	35
4071095 .....	53	920045 .....	64	AU2130.....	101	DL0865 .....	11, 17
4220309 .....	53	920046 .....	64	AU2131.....	101	DL0866 .....	11, 17
4240147 .....	26	920073 .....	64, 65	AU2132.....	101, 103, 104, 105, 106	DL0867 .....	35
4340871 .....	59	930134 .....	73, 124	AU2133.....	101, 103, 104, 105, 106	DL0868 .....	49, 56
4360469 .....	21, 124	930135 .....	73	AU2134.....	102, 103, 104, 105, 106	DL0869 .....	49
4360505 .....	82, 98, 124	930136 .....	73	AU2138.....	103, 104, 105, 106	DL0870 .....	41
4360562 .....	59, 124	930137 .....	77	AU2139.....	103, 104, 105, 106	DL0871 .....	35
4460226 .....	83	930138 .....	73	AU2140.....	104	DL0872 .....	55
4460320 .....	83	950039 .....	90	AU2143.....	104	DL0873 .....	89, 93
4460346 .....	121	950215 .....	89, 90	AU2144.....	104	DL0874 .....	55
4460464 ....	82, 83, 84, 85	950218 .....	89	AU2145.....	104	DL0875 .....	26
4460465 ...	55, 82, 83, 84, 85	950219 .....	90	AU2147.....	105, 106	DL0876 .....	53
4460496 .....	59	950220 .....	90	AU2149.....	105, 107	DL0877 .....	12, 18
4460497 .....	59	950221 .....	90	AU2150.....	105, 107	DL0911 .....	89, 93
4460536 ....	82, 83, 84, 85	951034 .....	73	AU2152.....	105	FX158-014 .....	115
4460539 .....	55, 83, 84	951035 .....	31			KT0150 .....	21, 124
4460754 .....	84	951036 .....	31			KT0152 .....	37
4460871 .....	83	951037 .....	31			KT0154 .....	90
4460873 .....	83	951038 .....	31			KT0155 .....	69
4460884 .....	82, 84	951039 .....	31			OP509 .....	111
4460891 .....	83, 84, 85	951040 .....	31			OP520 .....	113
4460894 .....	82, 83	951041 .....	31			OP521 .....	115
4460897 .....	82, 84, 85	951043 .....	31				
4460899 .....	84	952094 .....	73				
4460917 .....	82, 83	952095 .....	73				
4460928 .....	83, 85	952096 .....	73				
4460930 .....	83	952097 .....	73				
		952098 .....	73				

# SECTION 11 - RECOMMENDED PART LIST / LISTE DE PIÈCES RECOMMANDEES

PA1113.....101	SA0074.....41	ST0763.....49	ST3435.....89
PA1152.....101	SA0077.....35	ST1326.....64	ST3438.....117, 119, 121
PA1153.....102	SA0078.....49, 56	ST1327.....64	ST3439.....119
PA1154.....103	SA0079.....71	ST1328.....65	ST3440.....65
PA1155.....104	SA0080.....49	ST1380.....35	ST3441.....65
PA1156.....106	SA0081.....55	ST1403.....11, 17	ST3442.....65
PC0463.....60	SA0082.....12, 18	ST1404.....11, 17	ST3443.....65
PC0464.....60	SA0083.....35	ST1969.....113	ST3449.....56
PC0465.....21	SA0084.....89	ST1971.....55	ST3463.....12, 18
PC0466.....82, 111	SA0085.....89	ST2741.....49, 53, 56	ST3471.....11, 17
PC0468.....82, 98, 124	SA0086.....89, 93	ST3022.....111	ST3472.....12, 17
PC0478.....26, 82, 124	SA0088.....98	ST3117.....11	ST3673.....60
PC0483.....85	SA0089.....35	ST3118.....11	ST3674.....60
PC0484.....85	SA0090.....26	ST3119.....21	ST3696.....18
PC0488.....84	SA0091.....26	ST3139.....56	ST3697.....18
PC0491.....85	SA0092.....83	ST3143.....60	ST3704.....71
PC0494.....90, 94	SA0093.....117	ST3155.....21	ST3707.....71
PC0495.....90, 94	SA0094.....117	ST3158.....25	ST3775.....21
PC0496.....90, 94	SA0095.....119	ST3170.....11, 17	US0026.....41
PC0513.....89, 93	SA0096.....64	ST3171.....11, 17	US0044.....37
PC0514.....85	SA0098.....12, 17	ST3216.....65	US0134.....25
PC0515.....85	SA0100.....53	ST3219.....65	US0190.....25, 35
PC0516.....85	SA0101.....98	ST3226.....98	US0204.....98
PC0517.....85	SA0102.....26	ST3227.....98	US0208.....98
PC0518.....85	SA0103.....26	ST3235.....12, 18	US0216.....25
PC0519.....85	SA0104.....121	ST3299.....49, 56	US0236.....49, 56
PC0520.....86	SA0105.....93	ST3312.....60	US0342.....37
PC0521.....83	SA0106.....93	ST3315.....17	US0363.....37
PC0522.....84	SD0345.....98	ST3316.....17	US0364.....37
PC0523.....84	SD0452.....45	ST3327.....11, 17	US0375.....45
PC0524.....85	SD0453.....43	ST3328.....11, 17	US0377.....43
PC0525.....85	SD0464.....98	ST3329.....11, 17	US0429.....37
PC0526.....82	SE0495.....41	ST3330.....11, 17	US0470.....56
PC0527.....82, 98	SE0730.....41, 43	ST3332.....25	US0475.....43
PC0528.....115	SE0731.....41, 45	ST3333.....41	US0479.....45
PC0531.....55	SE0923.....49, 53, 56, 59	ST3375.....11, 17	US0485.....41
PC0534.....12, 18, 82	SE0924.....12, 18, 21	ST3376.....11, 17	US0486.....41
PC0602.....83	SE0928.....85	ST3377.....11, 17	US0523.....25
PC0604.....84	SE0935.....35, 37	ST3378.....11, 17	US0528.....25
PC0606.....60	SE1137.....98	ST3379.....11	US0529.....25
SA0001.....25	SE1138.....98	ST3380.....11	US0530.....25
SA0002.....25	SE1200.....18, 21	ST3391.....41	US0531.....25, 49, 56
SA0009.....25	SE1201.....50, 53, 56, 59	ST3412.....71	US0532.....26
SA0013.....26	SE1202.....21, 124	ST3413.....71	US0538.....41
SA0015.....49, 53, 56	ST0099.....41	ST3414.....49, 53, 56	US0543.....49, 56
SA0016.....12, 18	ST0120.....41	ST3416.....71	US0546.....41
SA0017.....12, 17	ST0178.....41	ST3432.....89, 93	US0548.....35
SA0020.....50, 53, 56	ST0179.....41	ST3433.....89, 93	US0549.....56
SA0073.....11, 17	ST0736.....49, 55	ST3434.....89, 93	





31210111



An Oshkosh Corporation Company

**JLG Industries, Inc.**  
**1 JLG Drive**  
**McConnellsburg PA. 17233-9533**  
**USA**  
**Phone: +1-717-485-5161**  
**Customer Support Toll Free: 1-877-554-5438**  
**Fax: +1-717-485-6417**

## **JLG Worldwide Locations**

---

JLG Industries (Australia)  
P.O. Box 5119  
11 Bolwarra Road  
Port Macquarie  
N.S.W. 2444  
Australia  
Phone: +61 2 65 811111  
Fax: +61 2 65 813058

JLG Latino Americana Ltda.  
Rua Antonia Martins Luiz, 580  
Distrito Industrial João Narezzi  
13347-404 Indaiaatuda-SP  
Brazil  
Phone: +55 19 3935 2767  
Fax: +55 19 3935 2312

JLG Industries (UK) Ltd  
Bentley House, Bentley Avenue  
Middleton  
Greater Manchester  
M24 2GP  
England  
Phone: +44 161 654 1000  
Fax: +44 161 654 1001

JLG France SAS  
Z.I. Guillaume Mon amy  
CS 30204  
47400 FAUILLET  
France  
Phone: +33 (0) 553 883 170  
Fax: +33 (0) 553 883 179

JLG Deutschland GmbH  
Max Planck Strasse 21  
D-27721 Ritterhude/Ihlpohl  
Germany  
Phone: +49 (0) 421 69 350 20  
Fax: +49 (0) 421 69 350 45

JLG Equipment Services Ltd  
Rm 1107 Landmark North  
39 Lung Sum Avenue  
Sheung Shui N.T.  
Hong Kong  
Phone: +852 2639 5783  
Fax: +852 2639 5797

JLG Industries (Italia)  
Via Po. 22  
20010 Pregnana Milanese - MI  
Italy  
Phone: +39 02 9359 5210  
Fax: +39 02 9359 5845

JLG Europe B.V.  
Polaris Avenue 62  
2132 JH Hoofddorp  
Netherlands  
Phone: (31) 23 565 5665  
Fax: (31) 23 557 2493

JLG Polska  
Ul. Krolewska  
00-060 Warszawa  
Poland  
Phone: +48 (0) 91 4320 245  
Fax: +48 (0) 91 4358 200

JLG Industries (Scotland)  
Wright Business Centre,  
1 Lonmay Road  
Queenslie  
Glasgow G33 4EL  
Scotland  
Phone: +44 141 781 6700  
Fax: +44 141 773 1907

Plataformas Elevadoras  
JLG Iberica, S.L.  
Trapadella, 2  
P.I. Castellbisbal Sur  
08755Castellbisbal, Barcelona  
Spain  
Phone: +34 93 77 24700  
Fax: +34 93 77 11762

JLG Sverige AB  
Enkopingsvagen 152  
Box 704  
SE - 176 27 Jarfalla  
Sweden  
Phone: (46) 8 506 59500  
Fax: (46) 8 506 59534

---

[www.jlg.com](http://www.jlg.com)