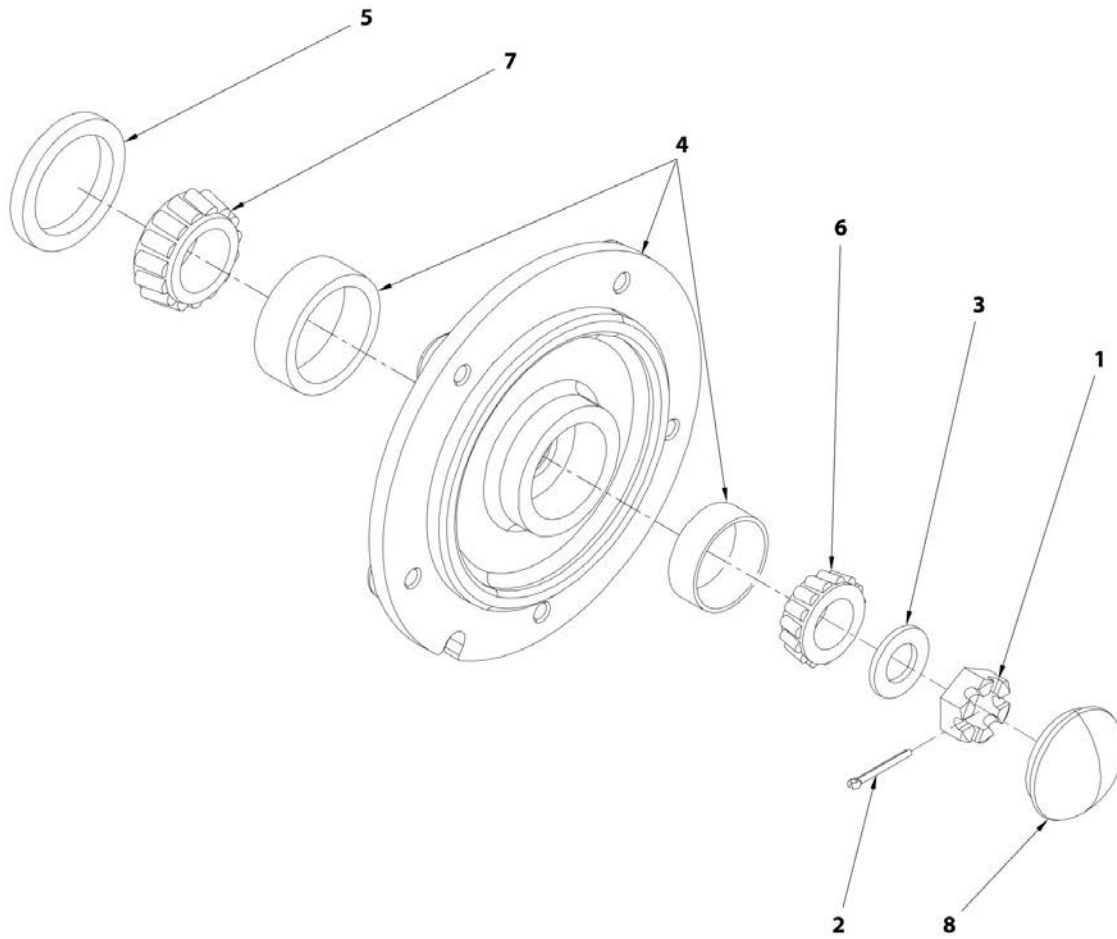


SECTION 2 - FRAME INSTALL / INSTALLATION CHASSIS

FIGURE 2-2. STEERING WHEEL HUB / MOYEU ROUE DIRECTRICE



ART_2780266

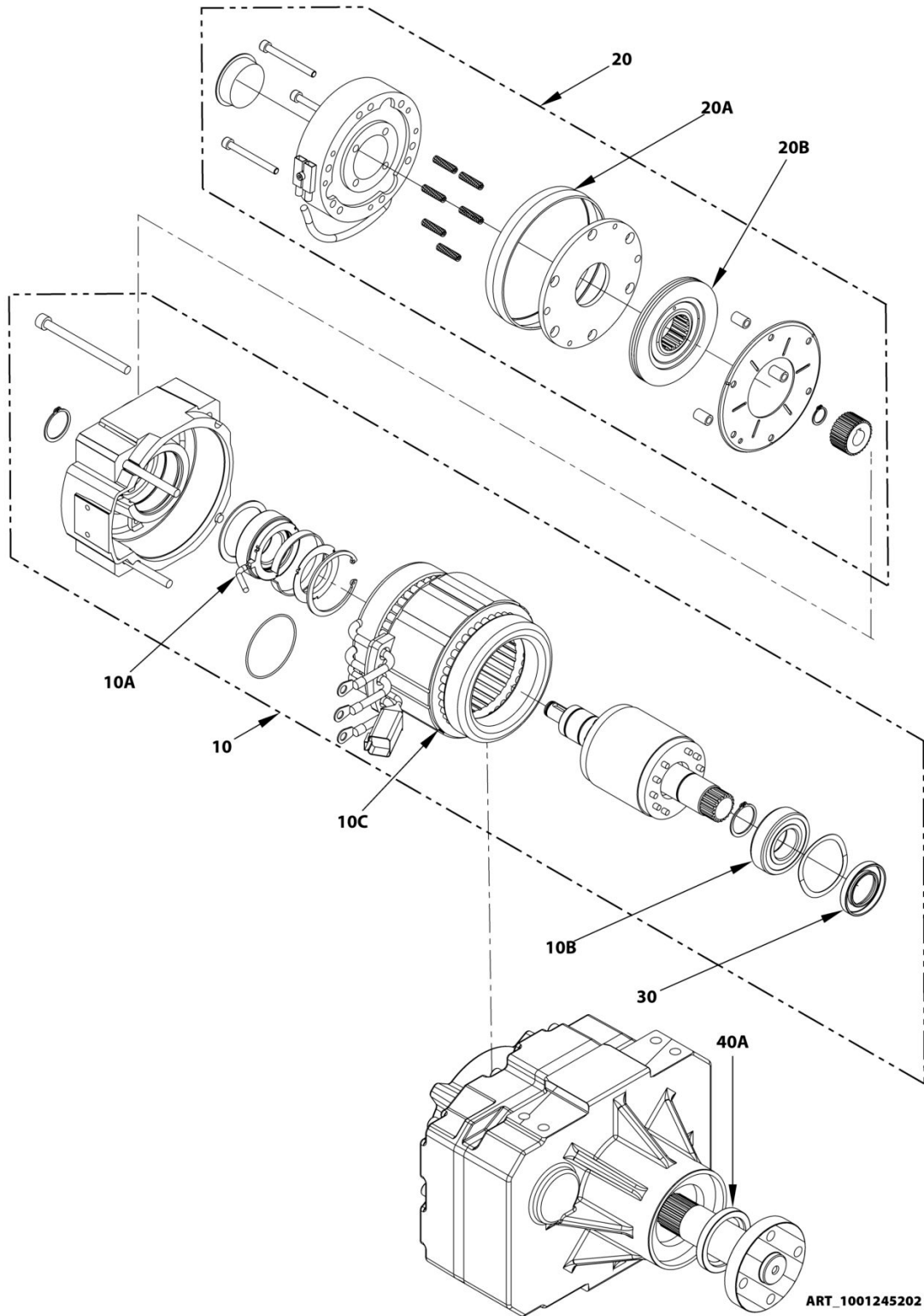
SECTION 2 - FRAME INSTALL / INSTALLATION CHASSIS

FIGURE 2-2. STEERING WHEEL HUB / MOYEU ROUE DIRECTRICE

ITEM	PART NUMBER	QTY	DESCRIPTION	REV
	2780266		HUB, STEERING WHEEL / MOYEU ROUE DIRECTRICE	E
1	3300423	1	NUT,SLOTTED / ECROU A ENCOCHE	
2	3450406	1	PIN, COTTER 2" x 3/16" / GOUPILLE FENDUE 2" x 3/16"	
3	4740468	1	WASHER / RONDELLE	
4	1001102189	1	HUB,REAR (ASSY) / KIT MOYEU	
5	1001102349	1	SEAL,GREASE / JOINT GRAISSE	
6	1001102351	1	BEARING CONE INNER / ROULEMENT CONIQUE INTERIEUR	
7	1001102353	1	BEARING CONE OUTER / ROULEMENT CONIQUE EXTERIEUR	
8	1001102354	1	CAP,GREASE / BOUCHON GRAISSE	

SECTION 2 - FRAME INSTALL / INSTALLATION CHASSIS

FIGURE 2-3. KTY-DRIVE GEAR MOTOR / KTY-MOTOREDUCTEUR DE ROUE (Prior to SN A300058030)



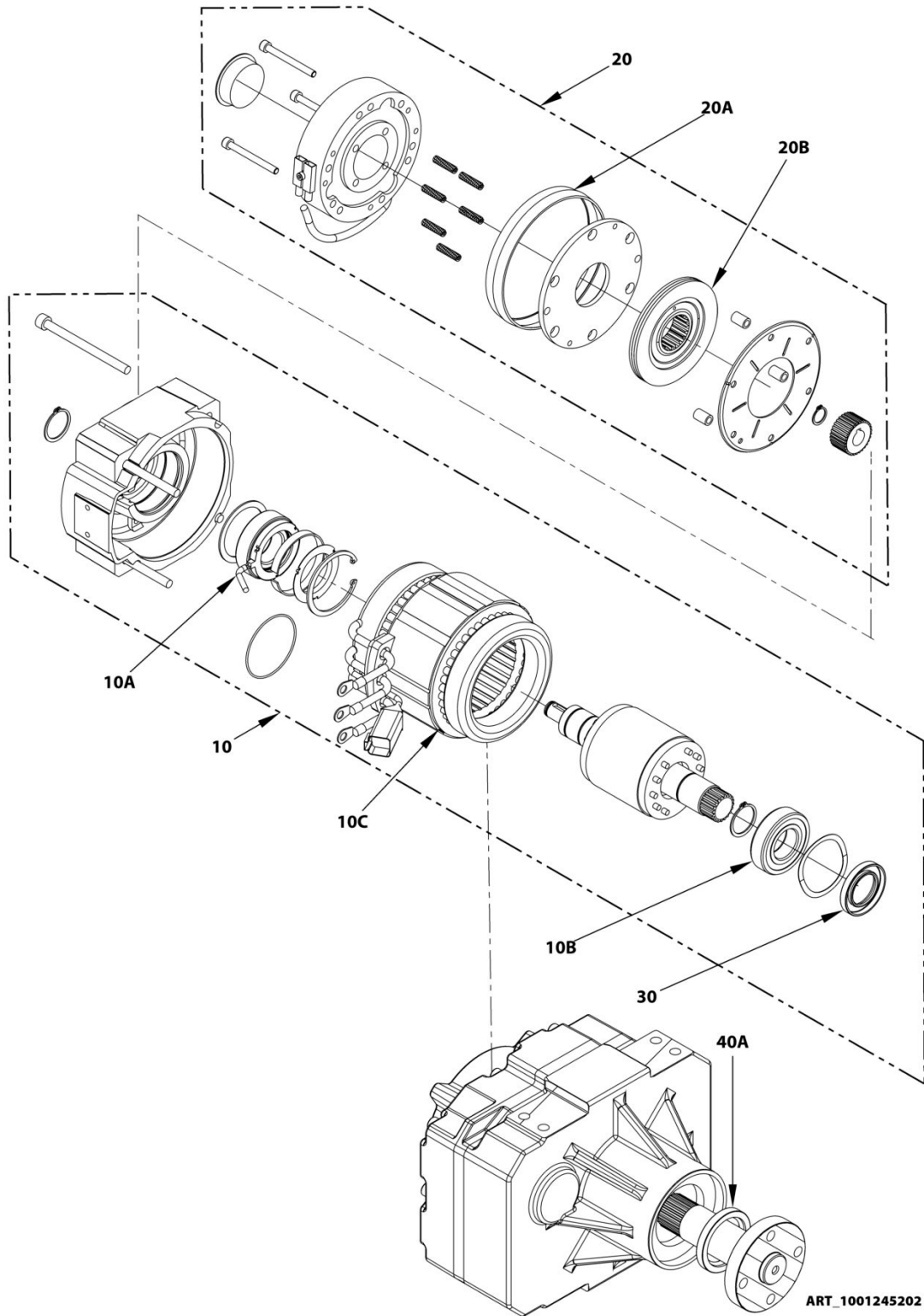
SECTION 2 - FRAME INSTALL / INSTALLATION CHASSIS

FIGURE 2-3. KTY-DRIVE GEAR MOTOR / KTY-MOTOREDUCTEUR DE ROUE (Prior to SN A300058030)

ITEM	PART NUMBER	QTY	DESCRIPTION	REV
	510086		DRIVE GEAR MOTOR / MOTOREDUCTEUR DE ROUE (Prior to SN A300058030)	I
10	951035	1	ELECTRIC MOTOR / MOTEUR ELECTRIQUE	
10A	951039	1	ENCODER BEARING KIT / KIT ROULEMENT CODEUR	
10B	951041	1	BEARING 6206ZC3/HTF / ROULEMENT 6206ZC3/HTF	
10C	951043	1	STATOR / STATOR	
20	951036	1	COMPLETE BRAKE KIT / FREIN COMPLET	
20A	951037	1	RING, DUST PROTECTION / JOINT ANTI-POUSSIERE	
20B	951038	1	DISC, FRICTION / DISQUE DE FREIN	
30	951040	1	GASKET WDR 30x52x7 / JOINT A LEVRE WDR 30x52x7	
40A	1001233406	1	SEAL,RADIAL 45X62X8 / JOINT A LEVRE	

SECTION 2 - FRAME INSTALL / INSTALLATION CHASSIS

FIGURE 2-4. PT1000-DRIVE GEAR MOTOR / PT1000-MOTOREDUCTEUR DE ROUE (SN A300058030 to Present)



SECTION 2 - FRAME INSTALL / INSTALLATION CHASSIS

FIGURE 2-4. PT1000-DRIVE GEAR MOTOR / PT1000-MOTOREDUCTEUR DE ROUE (SN A300058030 to Present)

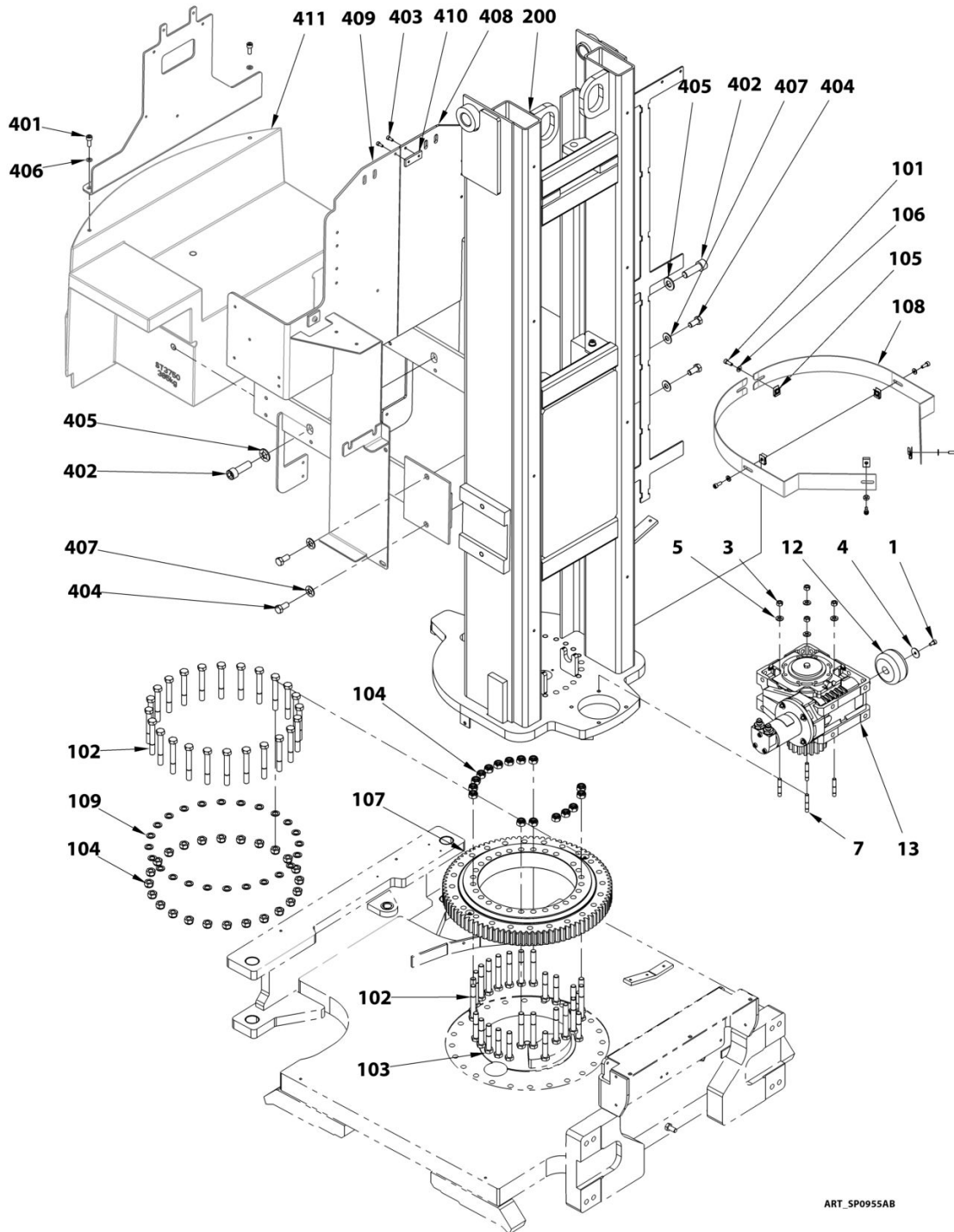
ITEM	PART NUMBER	QTY	DESCRIPTION	REV
	1001245202	1	PT1000-DRIVE GEAR MOTOR / PT1000-MOTOREDUCTEUR DE ROUE (SN A300058030 to Present)	B
10	1001246577	1	ELECTRIC MOTOR / MOTEUR ELECTRIQUE	
10A	951039	1	ENCODER BEARING KIT / KIT ROULEMENT CODEUR	
10B	951041	1	BEARING 6206ZC3/HTF / ROULEMENT 6206ZC3/HTF	
10C	1001246578	1	PT1000-STATOR / PT1000-STATOR	
20	951036	1	COMPLETE BRAKE KIT / FREIN COMPLET	
20A	951037	1	RING, DUST PROTECTION / JOINT ANTI-POUSSIERE	
20B	951038	1	DISC, FRICTION / DISQUE DE FREIN	
30	951040	1	GASKET WDR 30x52x7 / JOINT A LEVRE WDR 30x52x7	
40A	1001233406	1	SEAL,RADIAL 45X62X8 / JOINT A LEVRE 45X62X8	

SECTION 3 - MAST 1 INSTALL / INSTALLATION MAT 1

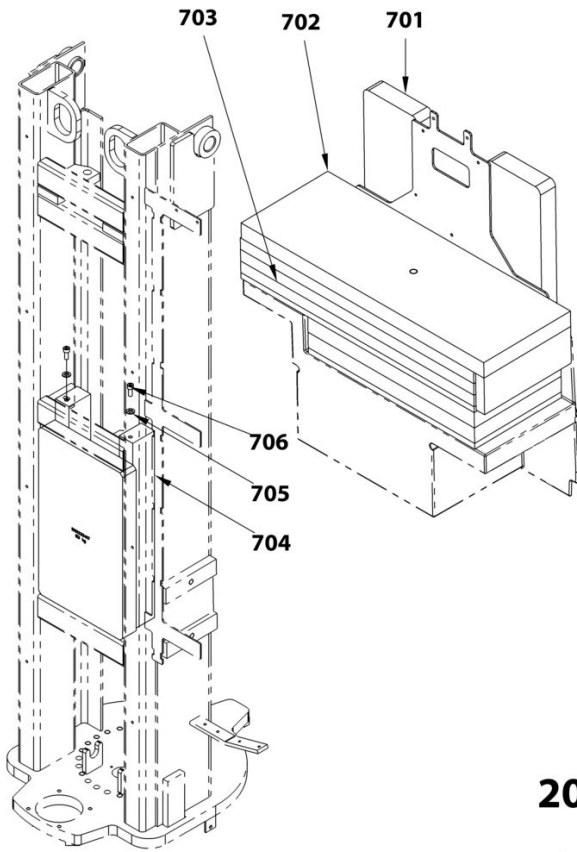
SECTION 3 - MAST 1 INSTALL / INSTALLATION MAT 1

SECTION 3 - MAST 1 INSTALL / INSTALLATION MAT 1

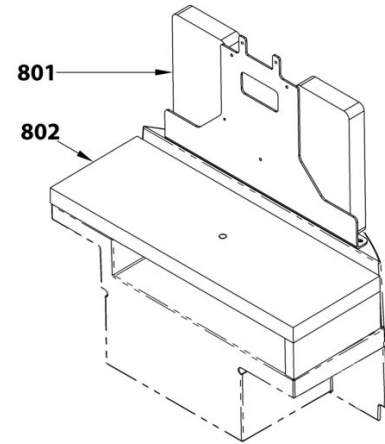
FIGURE 3-1. MAST 1 INSTALL / INSTALLATION MAT 1



SECTION 3 - MAST 1 INSTALL / INSTALLATION MAT 1

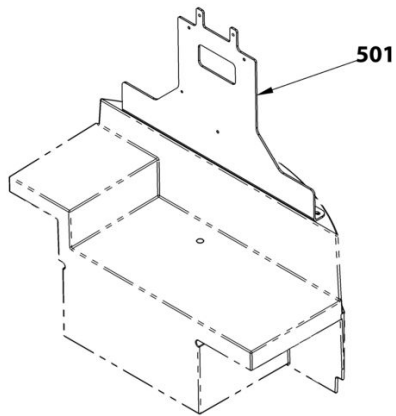


20E

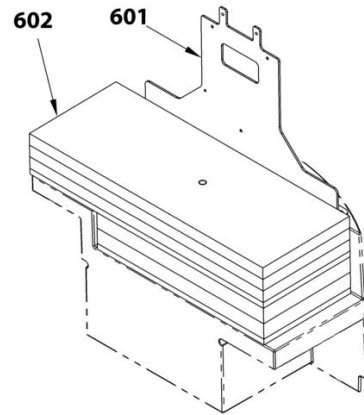


20E-L

8E-L



8E & 8E XL



ART_SP0955AB-2

SECTION 3 - MAST 1 INSTALL / INSTALLATION MAT 1

FIGURE 3-1. MAST 1 INSTALL / INSTALLATION MAT 1

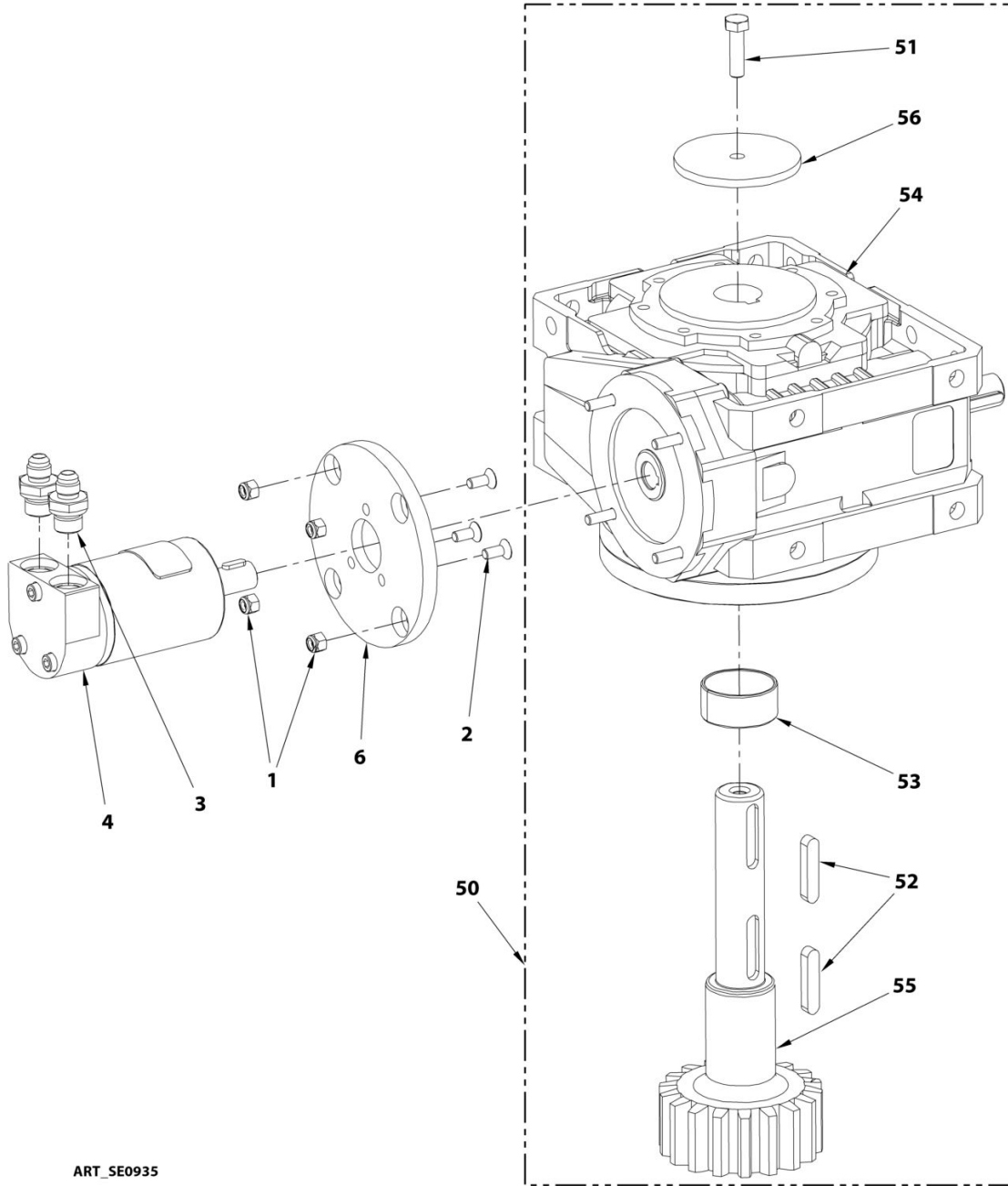
ITEM	PART NUMBER	QTY	DESCRIPTION	REV
	SA0089	Ref	SWING DRIVE INSTALL / INSTALLATION ORIENTATION	B
1	000014	1	M06x12 8.8 SOCKET HEAD MACH SCREW / VIS CHC M06x12 8.8 BI FT	
3	110016	4	M08 GR08 HEX NUT / ECROU H M08 CL08 BI	
4	120004	1	dD 06x25 WASHER / RONDELLE dD 06x25x1.2 BI	
5	120010	4	dD 08x18 LOCK WASHER / RONDELLE CONTACT dD 08x18 BI	
7	130034	4	M08x40 8.8 STUD / GOUGEON M08x40 BR 8.8	
12	US0548	1	SWING WHEEL / MOLETTE DEPANNAGE ORIENTATION	
13	SE0935	1	REDUCER ASSEMBLY; INFO - SE0935 / ASSEMBLAGE REDUCTEUR; INFO - SE0935	
	SA0083	Ref	TURNTABLE BEARING INSTALL / INSTALLATION COURONNE D'ORIENTATION	A
101	000015	5	M06x16 8.8 SOCKET HEAD MACH SCREW / VIS CHC M06x16 8.8 BI FT	
102	100038	40	M12x90 10.9 HEX HEAD CAPSCREW / VIS H M12x90 10.9 BR FP	
103	100103	11	M12x70 10.9 HEX HEAD CAPSCREW / VIS H M12x70 10.9 BR FP	
104	110017	40	M12 GR10 LOCK NUT / ECROU FREIN H M12 CL10 BI	
105	110026	5	M06 CAGE HEX NUT / ECROU CAGE M06	
106	120009	5	dD 06x14 LOCK WASHER / RONDELLE CONTACT dD 06x14 BI	
107	500021	1	SLEWING RING / COURONNE D'ORIENTATION	
108	ST1380	2	TURNTABLE BEARING COVER / TOLE PROTECTION COURONNE	
109	US0190	24	dDH 13x20x02 HARDENED WASHER / RONDELLE TRAITEE dDH 13x20x02	
200	DL0930	1	MAST 1 / MAT 1	
	1001223868	Ref	COUNTERWEIGHT INSTALL (385KG) / INSTALLATION CONTREPOIDS (385KG)	A
	1001223759	Ref	COUNTERWEIGHT INSTALL (488KG) / INSTALLATION CONTREPOIDS (488KG)	A
	1001233416	Ref	COUNTERWEIGHT INSTALL (540KG) / INSTALLATION CONTREPOIDS (540KG)	A
401	000006	2	M08x20 8.8 SOCKET HEAD MACH SCREW / VIS CHC M08x20 8.8 BI FT	
402	000023	2	M16x50 8.8 SOCKET HEAD CAPSCREW / VIS CHC M16x50 8.8 BI FP	
403	000067	2	M05x12 8.8 SOCKET HEAD MACH SCREW / VIS CHC M05x12 8.8 BI FT	
404	100021	4	M12x25 8.8 HEX HEAD MACHINE SCREW / VIS H M12x25 8.8 BI FT	
405	120008	2	dD 16x32 LOCK WASHER / RONDELLE CONTACT dD 16x32 BI	
406	120009	2	dD 06x14 LOCK WASHER / RONDELLE CONTACT dD 06x14 BI	
407	120015	4	dD 12x27 LOCK WASHER / RONDELLE CONTACT dD 12x27 BI	
408	DL0932	1	SUPPORT,COUNTERWEIGHT RIGHT / SUPPORT CONTREPOIDS DROIT	
409	DL0933	1	SUPPORT,COUNTERWEIGHT LEFT / SUPPORT CONTREPOIDS GAUCHE	
410	ST3377	1	PLATE,NUT / PLAQUE ECROU	
411	ST3750	1	COUNTERWEIGHT 385KG / CONTREPOIDS 385KG	

SECTION 3 - MAST 1 INSTALL / INSTALLATION MAT 1

ITEM	PART NUMBER	QTY	DESCRIPTION	REV
500		Ref	8E-L MODEL PARTS / PIECES MODELE 8E-L	
501	ST3752	1	BRACKET ON COUNTERWEIGHT / EQUERRE SUR CONTREPOIDS	
600		Ref	8E & 8E XL MODELS PARTS / PIECES MODELE 8E & 8E XL	
601	ST3752	1	BRACKET ON COUNTERWEIGHT / EQUERRE SUR CONTREPOIDS	
602	1001221429	1	COUNTERWEIGHT 243KG / CONTREPOIDS 243KG	
700		Ref	20E MODEL PARTS / PIECES MODELE 20E	
701	1001221247	1	BRACKET,COUNTERWEIGHT 40KG / EQUERRE CONTREPOIDS LESTEE 40KG	
702	1001221234	1	COUNTERWEIGHT 63KG / CONTREPOIDS 63KG	
703	1001221429	1	COUNTERWEIGHT 243KG / CONTREPOIDS 243KG	
704	1001233417	1	COUNTERWEIGHT 53KG / CONTREPOIDS 53KG	
705	120010	2	dD 08x18 LOCK WASHER / RONDELLE CONTACT dD 08x18 BI	
706	000006	2	M08x20 8.8 SOCKET HEAD MACH SCREW / RONDELLE CONTACT dD 06x14 BI	
800		Ref	20E-L MODEL PARTS / PIECES MODELE 20E-L	
801	1001221247	1	BRACKET,COUNTERWEIGHT 40KG / EQUERRE CONTREPOIDS LESTEE 40KG	
802	1001221234	1	COUNTERWEIGHT 63KG / CONTREPOIDS 63KG	

SECTION 3 - MAST 1 INSTALL / INSTALLATION MAT 1

FIGURE 3-2. REDUCER KIT / KIT REDUCTEUR



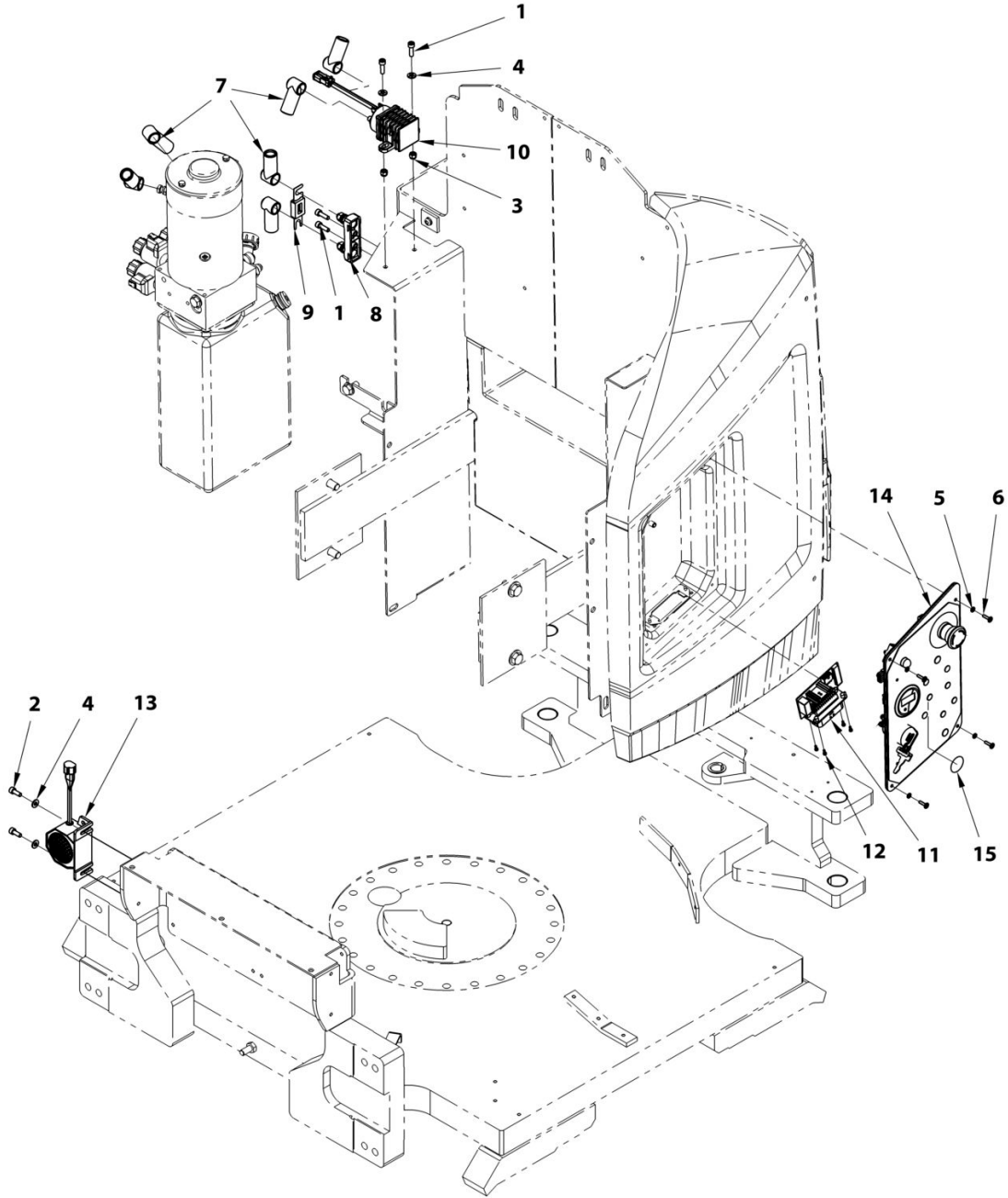
SECTION 3 - MAST 1 INSTALL / INSTALLATION MAT 1

FIGURE 3-2. REDUCER KIT / KIT REDUCTEUR

ITEM	PART NUMBER	QTY	DESCRIPTION	REV
	SE0935		REDUCER ASSEMBLY / ASSEMBLAGE REDUCTEUR	A
1	110003	4	M06 GR08 LOCK NUT / ECROU FREIN M6 CL08 BI	
2	130003	3	M06x16 10.9 COUNTERSUNK HEAD M. S. / VIS FHC M06x16 10.9 BI FT	
3	300040	2	FITTING MALE BSPP3/8 MALE JIC9/16 / RACCORD MALE BSPP3/8 MALE JIC9/16	
4	320049	1	SLEWING MOTOR / MOTEUR D'ORIENTATION	
6	US0044	1	MOTOR ADAPTOR FLANGE / FLASQUE MOTEUR	
50	KT0152	1	REDUCER KIT / KIT REDUCTEUR	C
51	100008	1	M08x30 8.8 HEX HEAD MACHINE SCREW / VIS H M08x30 8.8 BI FT	
52	140016	2	A KEY 8x7x40 / CLAVETTE FORME A 8x7x40	
53	150009	1	BUSHING D40 H20 / BAGUE D40 H20	
54	500043	1	REDUCER W75 UFCR1 / REDUCTEUR W75 UFCR1	
55	US0342	1	PINION / PIGNON	
56	US0429	1	dDh 8.5x73x5 WASHER / RONDELLE dDh 8.5x73x5	

SECTION 3 - MAST 1 INSTALL / INSTALLATION MAT 1

FIGURE 3-3. MTB INSTALL / INSTALLATION COMMANDES BASSES



ART_1001211324

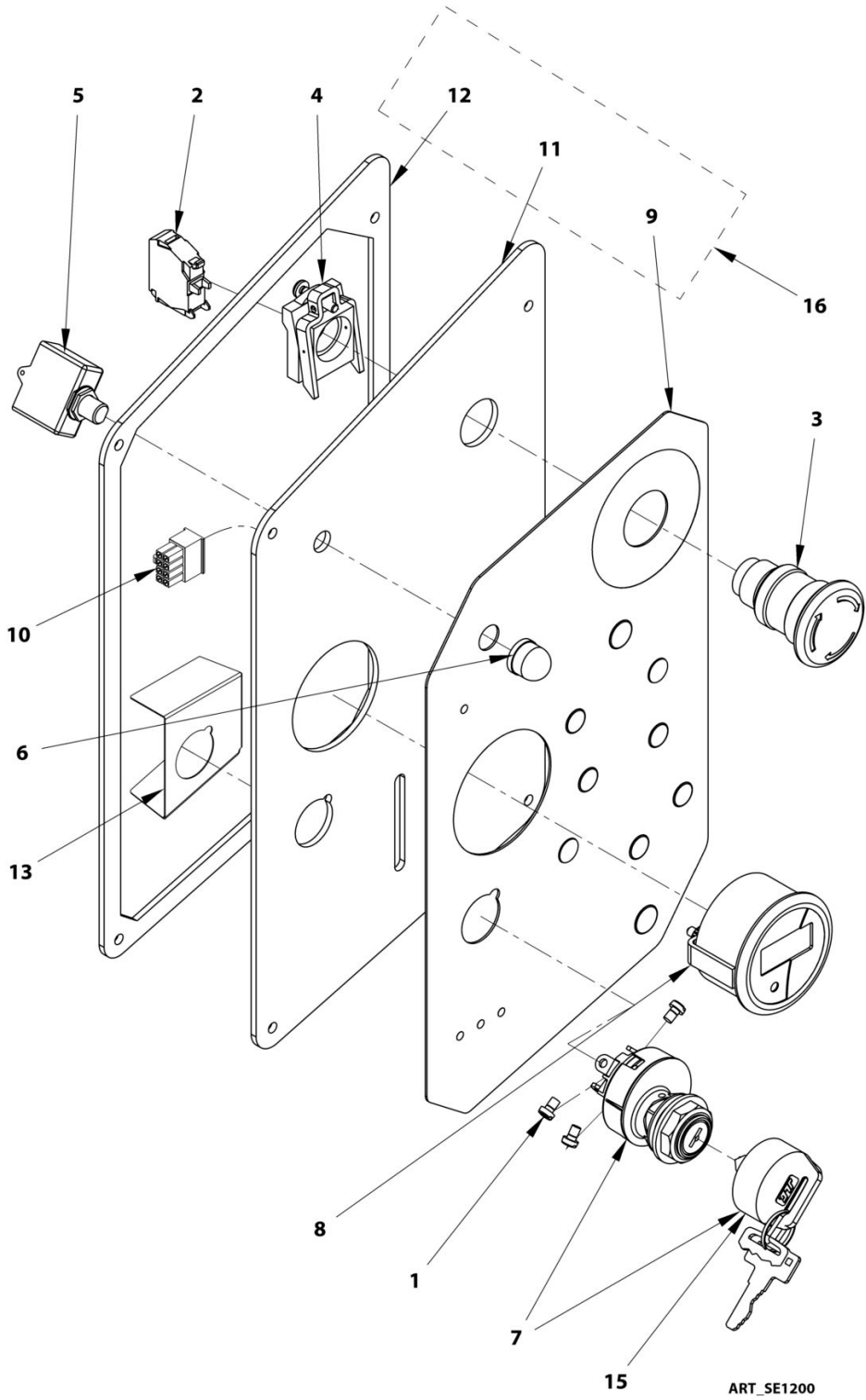
SECTION 3 - MAST 1 INSTALL / INSTALLATION MAT 1

FIGURE 3-3. MTB INSTALL / INSTALLATION COMMANDES BASSES

ITEM	PART NUMBER	QTY	DESCRIPTION	REV
	1001211324	Ref	MTB INSTALL / INSTALLATION COMMANDES BASSES	B
	1001223607	Ref	INSTALL,MTB (W/O MSSO) / INSTALLATION COMMANDES BASSES SANS MSSO	B
1	000005	4	M06x20 8.8 SOCKET HEAD MACH SCREW / VIS CHC M06x20 8.8 BI FT	
2	000015	2	M06x16 8.8 SOCKET HEAD MACH SCREW / VIS CHC M06x16 8.8 BI FT	
3	110003	2	M06 GR. 8.8 LOCK NUT / ECROU FREIN M6 CL08 BI	
4	120009	4	LOCK WASHER D06x14 / RONDELLE CONTACT dD 06x14 BI	
5	120033	4	M04 PLASTIC WASHER / RONDELLE PLASTIQUE M4	
6	130062	4	M04x16 8.8 ROUND HEAD MACH SCREW / VIS BOMBEE ULF M04x16 8.8 BI FT	
7	250031	6	BOOT,BATTERY TERMINAL / CAPUCHON D'ETANCHEITE	
8	260077	1	TERMINAL,FUSE HOLDER,DIN43560 / PORTE FUSIBLE DE PUISSANCE	
9	260079	1	325A FUSE / FUSIBLE 325A	
10	3740150	1	RELAY,24VDC/100A / RELAIS, 24VDC/100A	
11	1001187631	1	PC BRD,INTERFACE / CARTE ELECTRONIQUE INTERFACE	
12	1001210948	4	SCREW-SPEC,TORX D3 L8 METRIC / VIS TORX D3xL8 POUR THERMOPLASTIQUE	
13	PC0491	1	HARNESS, HORN / FAISCEAU AVERTISSEUR SONORE	
14	SE1200	1	GROUND CONTROL PANEL WITH ENABLE / BOITIER BAS AVEC VALIDATION (Prior to SN A300058411)	
14	1001223810	1	GROUND CONTROL PANEL WITHOUT ENABLE / BOITIER BAS SANS VALIDATION (SN A300058411 to Present)	
15	AU2228	1	DECAL,INDICATOR COVER D42 / AUTOCOLLANT MASQUE D42	

SECTION 3 - MAST 1 INSTALL / INSTALLATION MAT 1

FIGURE 3-4. CONTROL PANEL WITH ENABLE / BOITIER BAS AVEC VALIDATION (Prior to SN A300058411)



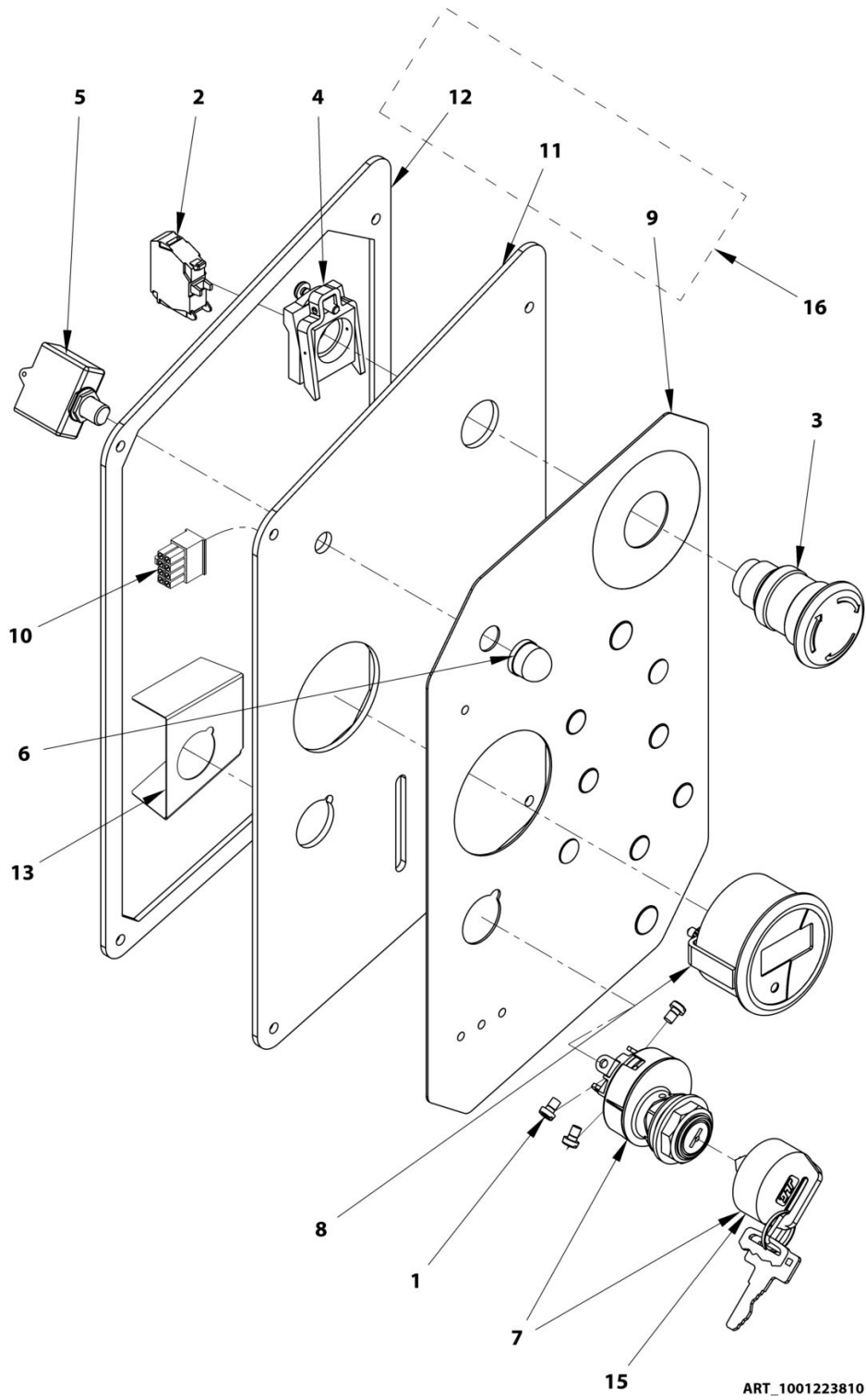
SECTION 3 - MAST 1 INSTALL / INSTALLATION MAT 1

FIGURE 3-4. CONTROL PANEL WITH ENABLE / BOITIER BAS AVEC VALIDATION (Prior to SN A300058411)

ITEM	PART NUMBER	QTY	DESCRIPTION	REV
	SE1200		GROUND CONTROL PANEL WITH ENABLE / FACADE BOITIER BAS AVEC VALIDATION	B
1	130059	3	M04x06 GR. 4.8 CYLINDRIC HEAD / VIS TC M04x06 4.8 ZI	
2	240057	1	NC CONTACT BLOCK / CONTACT NF	
3	240060	1	TURN TO RELEASE KNOB / BOUTON D'ARRET D'URGENCE	
4	240076	1	CONTACT BLOCK HOLDER / EMBASE CONTACT	
5	260240	1	CIRCUIT BREAKER 5A / DISJONCTEUR 5A	
6	260243	1	CIRCUIT BREAKER BOOT / CAPUCHON DISJONCTEUR	
7	4360469	1	SWITCH,KEY ON/OFF/ON / SELECTEUR A CLE 3 POSITIONS	
8	1001109503	1	MULTI DISPLAY INDICATOR / AFFICHEUR MULTIFONCTIONS	
9	AU2207	1	MEMBRANE SWITCHES,GROUND PANEL / INTERRUPTEURS A MEMBRANE BOITIER BAS	
10	PC0465	1	HARNESS, LCB / FAISCEAU BOITIER BAS	
11	ST3775	1	GROUND PANEL / PLATINE BOITIER BAS	
12	ST3155	1	GASKET,GROUND PANEL / JOINT BOITER BAS	
13	1001239552	1	PLATE,KEY SWITCH CAP / CAPOT SELECTEUR A CLE	
15	2860030	1	KEY (INCLUDED IN ITEM 4360469) / CLE (COMPRISE DANS REF 4360469)	
16	SE1202	1	KIT(SERVICE),DECAL PLATE AND SEAL / KIT AUTOCOLLANT, PLATINE ET JOINT BOITIER BAS	

SECTION 3 - MAST 1 INSTALL / INSTALLATION MAT 1

FIGURE 3-5. CONTROL PANEL W/O ENABLE / BOITIER BAS SANS VALIDATION (SN A300058411 to Present)



SECTION 3 - MAST 1 INSTALL / INSTALLATION MAT 1

FIGURE 3-5. CONTROL PANEL W/O ENABLE / BOITIER BAS SANS VALIDATION (SN A300058411 to Present)

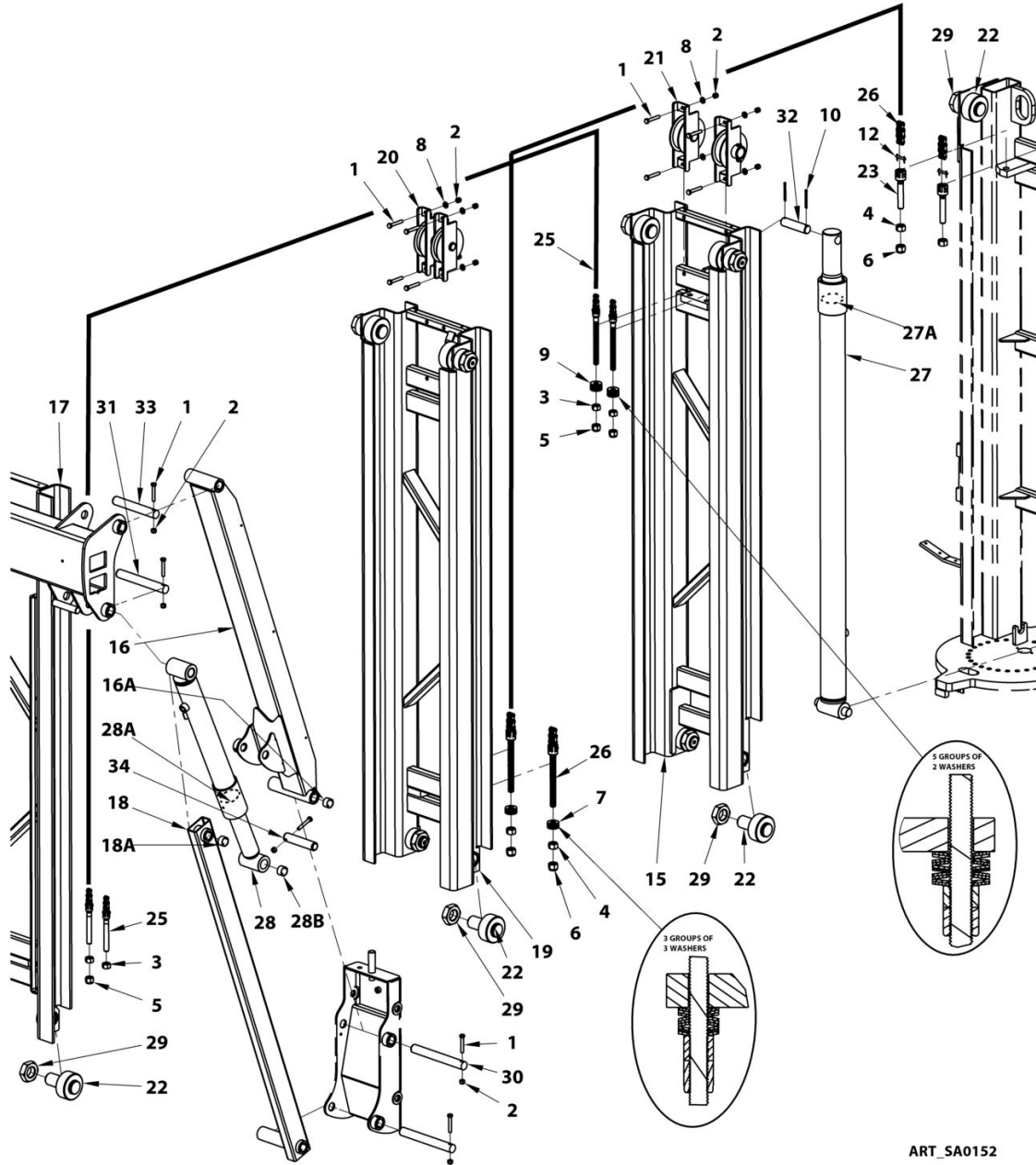
ITEM	PART NUMBER	QTY	DESCRIPTION	REV
	1001223810		GROUND CONTROL PANEL WITHOUT ENABLE / BOITIER BAS SANS VALIDATION	B
1	130059	3	M04x06 GR. 4.8 CYLINDRIC HEAD / VIS TC M04x06 4.8 ZI	
2	240057	1	NC CONTACT BLOCK / CONTACT NF	
3	240060	1	TURN TO RELEASE KNOB / BOUTON D'ARRET D'URGENCE	
4	240076	1	CONTACT BLOCK HOLDER / EMBASE CONTACT	
5	260240	1	CIRCUIT BREAKER 5A / DISJONCTEUR 5A	
6	260243	1	CIRCUIT BREAKER BOOT / CAPUCHON DISJONCTEUR	
7	4360469	1	SWITCH,KEY ON/OFF/ON / SELECTEUR A CLE 3 POSITIONS	
8	1001109503	1	MULTI DISPLAY INDICATOR / AFFICHEUR MULTIFONCTIONS	
9	1001223811	1	MEMBRANE SWITCHES,GROUND PANEL / INTERRUPTEURS A MEMBRANE BOITIER BAS	
10	PC0465	1	HARNESS, LCB / FAISCEAU BOITIER BAS	
11	ST3775	1	GROUND PANEL / PLATINE BOITIER BAS	
12	ST3155	1	GASKET,GROUND PANEL / JOINT BOITER BAS	
13	1001239552	1	PLATE,KEY SWITCH CAP / CAPOT SELECTEUR A CLE	
15	2860030	1	KEY (INCLUDED IN ITEM 4360469) / CLE (COMPRISE DANS REF 4360469)	
16	1001223812	1	KIT(SERVICE),DECAL PLATE AND SEAL / KIT AUTOCOLLANT, PLATINE ET JOINT BOITIER BAS	

SECTION 4 - MAST AND BOOM INSTALL / INSTALLATION MAT ET BRAS

**SECTION 4 - MAST AND BOOM INSTALL / INSTALLATION MAT ET
BRAS**

SECTION 4 - MAST AND BOOM INSTALL / INSTALLATION MAT ET BRAS

FIGURE 4-1. MAST AND BOOM INSTALL / INSTALLATION MAT ET BRAS



ART_SA0152

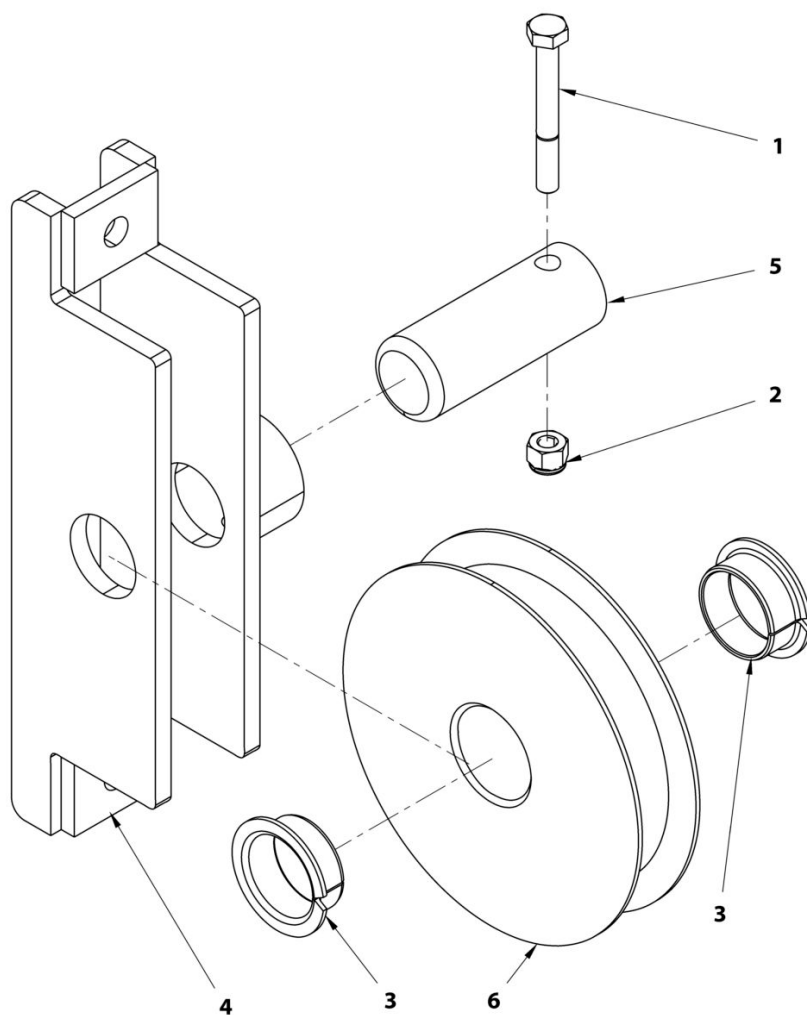
SECTION 4 - MAST AND BOOM INSTALL / INSTALLATION MAT ET BRAS

FIGURE 4-1. MAST AND BOOM INSTALL / INSTALLATION MAT ET BRAS

ITEM	PART NUMBER	QTY	DESCRIPTION	REV
0	SA0152	Ref	MAST AND BOOM INSTALL / INSTALLATION MAT ET BRAS	D
1	100063	13	M08x50 8.8 HEX HEAD MACHINE SCREW / VIS H M08x50 8.8 BI FT	
2	110004	13	M08 GR. 8.8 LOCK NUT / ECROU FREIN M8 CL08 BI	
3	110009	4	M14 GR. 8.8 HEX NUT / ECROU H M14 CL08 BI	
4	110010	4	M16 GR. 8.8 HEX NUT / ECROU H M16 CL08 BI	
5	110019	3	M14 GR. 8.8 LOCK NUT / ECROU FREIN H M14 CL08 BI	
6	110020	3	M16 GR. 8.8 LOCK NUT / ECROU FREIN H M16 CL08 BI	
7	120006	18	Ø34x16.3x1.5 SPRING WASHER / RONDELLE RESSORT D34x16.3x1.5 BR	
8	120010	8	LOCK WASHER D08x18 / RONDELLE CONTACT dD 08x18 BI	
9	120017	20	SPRING WASHER Ø34x14.3x1.5 / RONDELLE RESSORT D34x14.3x1.5 BR	
10	140009	2	Ø4.5x50 COTTER PIN / GOUPILLE FENDUE D4.5x50	
12	170008	2	M16 CLEVIS PIN / AXE DE CHAPE M16	
15	DL0870	1	MAST 2 / MAT 2	
16	DL0914	1	UPPER JIB / BRAS SUPERIEUR	
16A	150002	4	BUSHING Ø25 H25 DX / BAGUE D25 H25 DX	
17	DL0915	1	MAST 4 / MAT 4	
18	DL0916	1	LOWER JIB / BRAS INFERIEUR	
18A	150002	4	BUSHING Ø25 H25 DX / BAGUE D25 H25 DX	
19	DL0931	1	MAST 3 / MAT 3	
20	SE0730	2	PULLEY SUPPORT LL10-44 / SUPPORT POULIE LL10-44	
21	SE0731	2	PULLEY SUPPORT LL12-66 / SUPPORT POULIE LL12-66	
22	SE1214	12	ROLLER,ASSEMBLY M36 / GALET DE GUIDAGE M36	
23	ST0099	2	CHAIN ANCHOR M16 L80 / CHAPE DE CHAINE M16 L80	
25	1001220619	1	CHAIN,LL10-44 EQUIPPED / CHAINE LL10-44 EQUIPEE	
26	1001220620	1	CHAIN,LL12-66 1 SIDE EQUIPPED / CHAINE LL10-66 EQUIPEE 1 COTE	
27	ST3333	1	MAST CYLINDER / VERIN DE MAT	
27A	960098	1	SEAL,KIT / KIT DE JOINT	
28	ST3745	1	JIB CYLINDER / VERIN DE BRAS (Prior to SN A300058301)	
28	1001225701	1	JIB CYLINDER / VERIN DE BRAS (SN A300058301 to Present)	
28A	960097	1	SEAL,KIT / KIT DE JOINT	
28B	150002	4	BUSHING Ø25 H25 DX / BAGUE D25 H25 DX	
29	US0026	12	M36 GR. 8.8 HEX NUT / ECROU M36 CL04 BI	
30	US0481	2	PIN,D25 - L210 / AXE D25 L210	
31	US0492	1	PIN, D25-L195 / AXE D25 L195	
32	US0538	1	PIN,D25 - L100 - 2D5MM / AXE D25 - L100 - 2d5	
33	US0600	1	PIN,D25 - L170 / AXE D25 - L170	
34	US0602	1	PIN,D25 - L120 / AXE D25 - L120	

SECTION 4 - MAST AND BOOM INSTALL / INSTALLATION MAT ET BRAS

FIGURE 4-2. PULLEY SUPPORT LL10-44 / SUPPORT POULIE LL10-44



ART. 560730

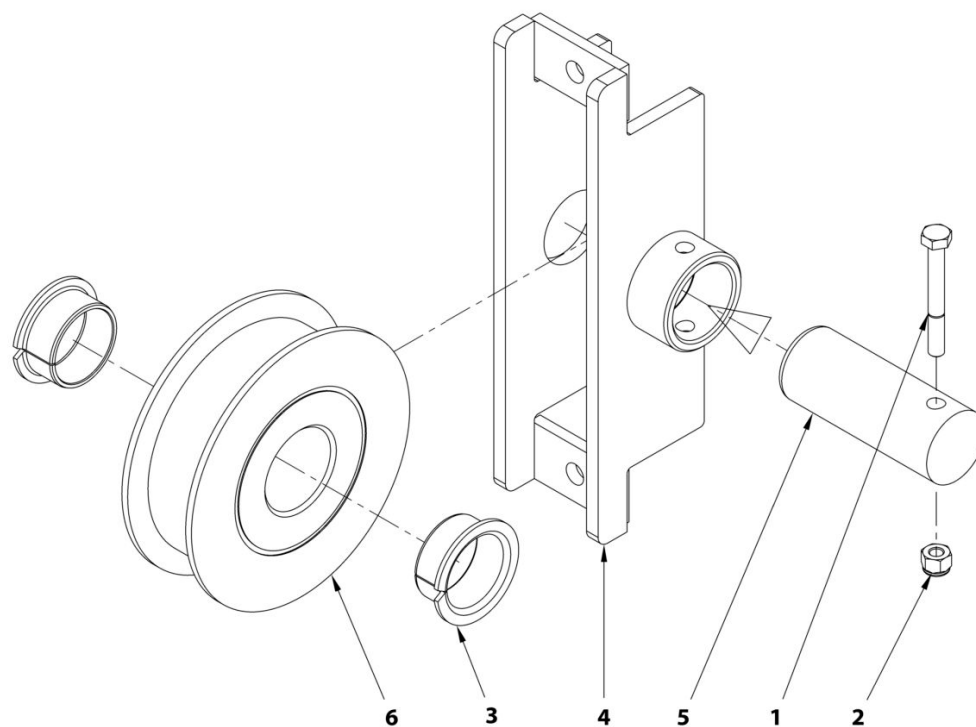
SECTION 4 - MAST AND BOOM INSTALL / INSTALLATION MAT ET BRAS

FIGURE 4-2. PULLEY SUPPORT LL10-44 / SUPPORT POULIE LL10-44

ITEM	PART NUMBER	QTY	DESCRIPTION	REV
	SE0730		PULLEY SUPPORT LL10-44 / SUPPORT POULIE LL10-44	
1	100013	1	M06x50 8.8 HEX HEAD CAPSCREW / VIS H M06x50 8.8 BI FP	
2	110003	1	M06 GR.08 LOCK NUT / ECROU FREIN M6 CL08 BI	
3	150011	2	FLANGE BUSHING D25 H11.5 DU / BAGUE EPAULEE D25 H11.5 DU	
4	SD0453	1	PULLEY MOUNT / SUPPORT POULIE	
5	US0377	1	PULLEY PIN / AXE DE SUPPORT POULIE	
6	US0475	1	LL10-44 PULLEY / POULIE LL10-44	

SECTION 4 - MAST AND BOOM INSTALL / INSTALLATION MAT ET BRAS

FIGURE 4-3. PULLEY SUPPORT LL12-66 / SUPPORT POULIE LL12-66



ART_SE0731

SECTION 4 - MAST AND BOOM INSTALL / INSTALLATION MAT ET BRAS

FIGURE 4-3. PULLEY SUPPORT LL12-66 / SUPPORT POULIE LL12-66

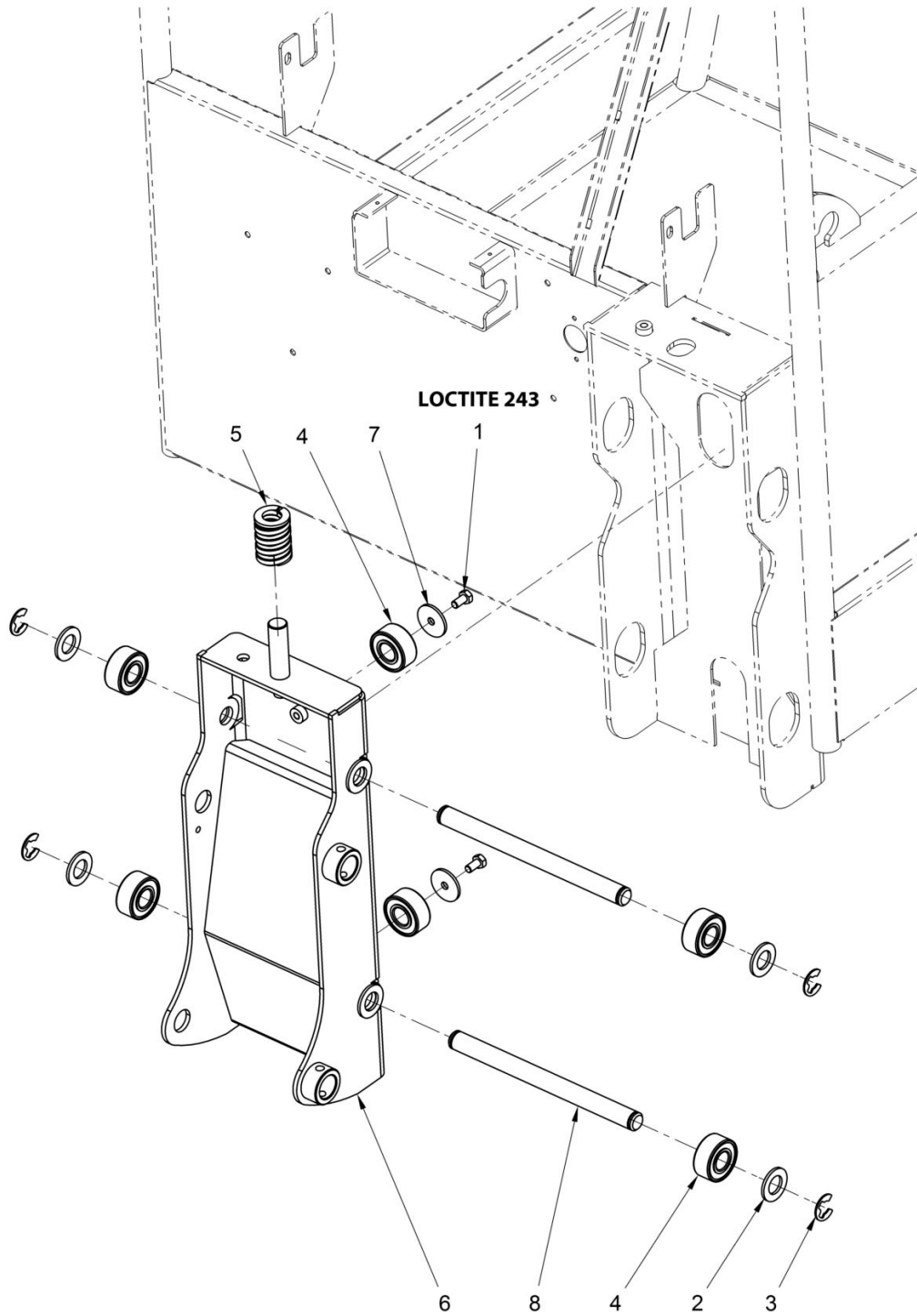
ITEM	PART NUMBER	QTY	DESCRIPTION	REV
	SE0731		PULLEY SUPPORT LL12-66 / SUPPORT POULIE LL12-66	
1	100013	1	M06x50 8.8 HEX HEAD CAPSCREW / VIS H M06x50 8.8 BI FP	
2	110003	1	M06 GR08 LOCK NUT / ECROU FREIN M6 CL08 BI	
3	150007	2	FLANGE BUSHING Ø30 H16 DU / BAGUE EPAULEE Ø30 H16 DU	
4	SD0452	1	PULLEY MOUNT / SUPPORT POULIE	
5	US0375	1	PULLEY PIN / AXE DE SUPPORT POULIE	
6	US0479	1	LL12-66 PULLEY / POULIE LL12-66	

SECTION 5 - PLATFORM INSTALL / INSTALLATION PLATE-FORME

SECTION 5 - PLATFORM INSTALL / INSTALLATION PLATE-FORME

SECTION 5 - PLATFORM INSTALL / INSTALLATION PLATE-FORME

FIGURE 5-1. PLATFORM SUPPORT INSTALL / INSTALLATION SUPPORT PLATE-FORME



ART_1001209860

SECTION 5 - PLATFORM INSTALL / INSTALLATION PLATE-FORME

FIGURE 5-1. PLATFORM SUPPORT INSTALL / INSTALLATION SUPPORT PLATE-FORME

ITEM	PART NUMBER	QTY	DESCRIPTION	REV
	1001209860	Ref	PLATFORM SUPPORT INSTALL / INSTALLATION SUPPORT PLATE-FORME	A
1	100054	2	M08x16 8.8 HEX HEAD MACHINE SCREW / VIS H M08x16 8.8 BI FT	
2	120003	4	D20x37x3 WASHER / RONDELLE D20x37x3 BI	
3	130029	4	RETAINING RING D15 / CIRCLIPS EXTERIEUR D15	
4	150061	6	3204-2RS BEARING / ROULEMENT 3204-2RS	
5	160033	1	SPRING,OVERLOAD G 40-51 / RESSORT SURCHARGE G40-51	
6	DL0922	1	SUPPORT,PLATFORM / SUPPORT PLATE-FORME	
7	US0531	2	WASHER-SPEC,D8XD37XTH.3 / RONDELLE Di 8xDe 37xEP 3	
8	US0601	2	PIN,BEARING MOUNT / AXE ROULEMENTS	

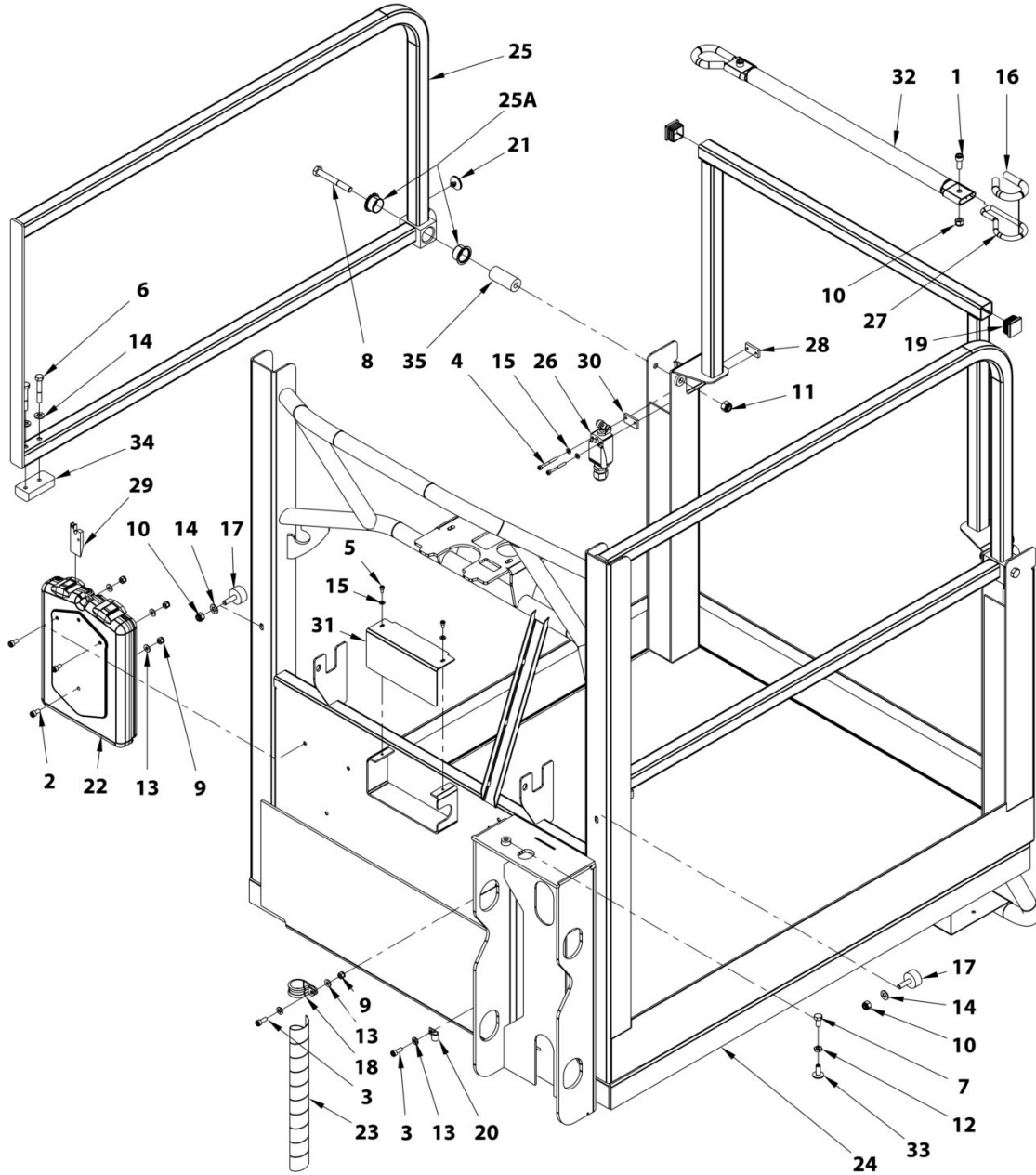
SECTION 5 - PLATFORM INSTALL / INSTALLATION PLATE-FORME

FIGURE 5-2. PLATFORM, DROP BAR / PLATE-FORME - LISSE COULISSANTE

ITEM	PART NUMBER	QTY	DESCRIPTION	REV
	1001209857	Ref	PLATFORM WITH DROP BAR / PLATE-FORME - LISSE COULISSANTE	A
1	000006	2	M08x20 8.8 SOCKET HEAD MACH SCREW / VIS CHC M08x20 8.8 BI FT	
2	000014	3	M06x12 8.8 SOCKET HEAD MACH SCREW / VIS CHC M06x12 8.8 BI FT	
3	000015	1	M06x16 8.8 SOCKET HEAD MACH SCREW / VIS CHC M06x16 8.8 BI FT	
4	000090	2	M04x08 8.8 SOCKET HEAD MACH SCREW / VIS CHC M04x08 8.8 BI FT	
5	100054	1	M08x16 8.8 HEX HEAD MACHINE SCREW / VIS H M08x16 8.8 BI FT	
6	110003	4	M06 GR. 8.8 LOCK NUT / ECROU FREIN M6 CL08 BI	
7	110004	2	M08 GR. 8.8 LOCK NUT / ECROU FREIN M8 CL08 BI	
8	110022	1	M08 GR. 8.8 FLAT HEX NUT / ECROU Hm M08 CL04 ZI	
9	120009	5	LOCK WASHER D06x14 / RONDELLE CONTACT dD 06x14 BI	
10	120024	2	LOCK WASHER D04x10 / RONDELLE CONTACT M4 BI	
11	400048	2	CAP D30 / BOUCHON D30	
12	400096	1	CLAMP, D 28mm / COLLIER D28 mm	
13	8990147	1	HOLDER, MANUAL / BOITE PORTE-DOCUMENTS	
14	280023	0.36m	PROTECTION SLEEVE / GAINE DE PROTECTION	
15	400010	1.1m	HOSE GUARD / GAINE TORSADEE	
16	DL0913	1	PLATFORM, WELDMENT / PLATE-FORME	
17	ST0736	2	BAR, FLAP HOOP / ANNEAU PORTILLON	
18	ST0763	1	RAIL, FLAP / PORTILLON	
19	ST2741	1	SENSOR CONTROL TOOL / CALE DE VERIFICATION	
20	ST3414	1	SHIELD, COVER CONNECTORS / CARTER DE PROTECTION CONNECTEURS	
21	US0236	1	SETTING SCREW / VIS DE REGLAGE	

SECTION 5 - PLATFORM INSTALL / INSTALLATION PLATE-FORME

FIGURE 5-3. 8E-XL PLATFORM, DROP BAR / 8E-PLATE-FORME XL - LISSE COULISSANTE



ART_1001209858

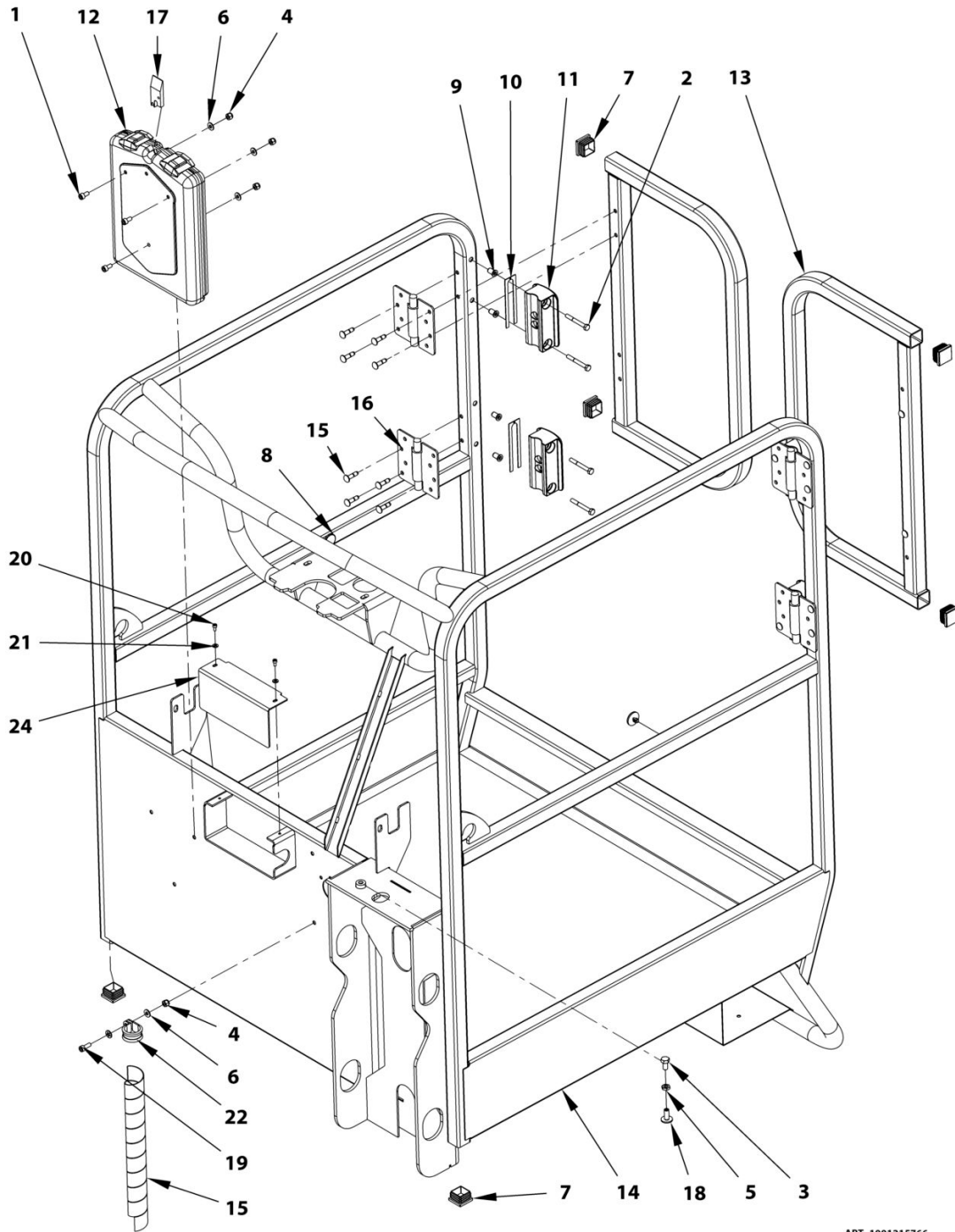
SECTION 5 - PLATFORM INSTALL / INSTALLATION PLATE-FORME

FIGURE 5-3. 8E-XL PLATFORM, DROP BAR / 8E-PLATE-FORME XL - LISSE COULISSANTE

ITEM	PART NUMBER	QTY	DESCRIPTION	REV
	1001209858	Ref	8E-XL PLATFORM WITH DROP BAR / 8E-PLATE-FORME XL - LISSE COULISSANTE	A
1	000006	2	M08x20 8.8 SOCKET HEAD MACH SCREW / VIS CHC M08x20 8.8 BI FT	
2	000014	3	M06x12 8.8 SOCKET HEAD MACH SCREW / VIS CHC M06x12 8.8 BI FT	
3	000015	2	M06x16 8.8 SOCKET HEAD MACH SCREW / VIS CHC M06x16 8.8 BI FT	
4	000032	4	M04x40 8.8 SOCKET HEAD CAPSCREW / VIS CHC M04x40 8.8 ZI FP	
5	000090	2	M04x08 8.8 SOCKET HEAD MACH SCREW / VIS CHC M04x08 8.8 BI FT	
6	100007	4	M08x50 8.8 HEX HEAD CAPSCREW / VIS H M08x50 8.8 BI FP	
7	100054	1	M08x16 8.8 HEX HEAD MACHINE SCREW / VIS H M08x16 8.8 BI FT	
8	100091	2	M10x80 8.8 HEX HEAD CAPSCREW / VIS H M10x80 8.8 BI FP	
9	110003	4	M06 GR. 8.8 LOCK NUT / ECROU FREIN M6 CL08 BI	
10	110004	4	M08 GR. 8.8 LOCK NUT / ECROU FREIN M8 CL08 BI	
11	110005	2	M10 GR. 8.8 LOCK NUT / ECROU FREIN M10 CL08 BI	
12	110022	1	M08 GR. 8.8 FLAT HEX NUT / ECROU Hm M08 CL04 ZI	
13	120009	6	LOCK WASHER D06x14 / RONDELLE CONTACT dD 06x14 BI	
14	120010	6	LOCK WASHER D08x18 / RONDELLE CONTACT dD 08x18 BI	
15	120024	6	LOCK WASHER D04x10 / RONDELLE CONTACT M4 BI	
16	280023	0.36 m	PROTECTION SLEEVE / GAINE DE PROTECTION	
17	400015	2	BUMPER, DIA.30_TH.15 / BUTEE ELASTIQUE	
18	400096	1	CLAMP, DIA. 28mm / COLLIER D28 mm	
19	400099	2	CAP, TUBE 30x30 / BOUCHON 30x30	
20	1321293	1	CLAMP, CABLE / COLLIER ISOLE	
21	3340962	2	PAD, ARM REST / BUTEE D'ARRET	
22	8990147	1	HOLDER, MANUAL / BOITE PORTE-DOCUMENTS	
23	400010	1.1 m	HOSE GUARD / GAINE	
24	DL0920	1	PLATFORM, WELDMENT XL / PLATE-FORME XL	
25	DL0927	2	GATE, XL PLATFORM / PORTILLON ROTATIF	
25A	150039	4	FLANGE BUSHING Ø25 H16.5 DU / BAGUE EPAULEE D25 H16.5 DU	
26	PC0531	2	LOOM, GATE LIMIT SWITCH / FAISCEAU CAPTEUR DE PORTE	
27	ST0736	2	BAR, FLAP HOOP / ANNEAU PORTILLON	
28	ST1971	2	PLATE, LOCKING / CONTRE PLAQUE	
29	ST2741	1	SENSOR CONTROL TOOL / CALE DE VERIFICATION	
30	ST3139	2	PLATE, SPACER / ENTRETOISE CAPTEUR	
31	ST3414	1	SHIELD, COVER CONNECTORS / CARTER DE PROTECTION CONNECTEURS	
32	ST3449	1	TUBE, GATE / PORTILLON COULISSANT	
33	US0236	1	SETTING SCREW / VIS DE REGLAGE	
34	US0470	2	SLIDE BLOCK / PATIN	
35	US0549	2	TUBE, GATE BUSH / AXE ROULEMENTS	

SECTION 5 - PLATFORM INSTALL / INSTALLATION PLATE-FORME

FIGURE 5-4. 20E-PLATFORM,SALOON GATES / 20E- PLATE-FORME - PORTE SALOON



ART_1001215766

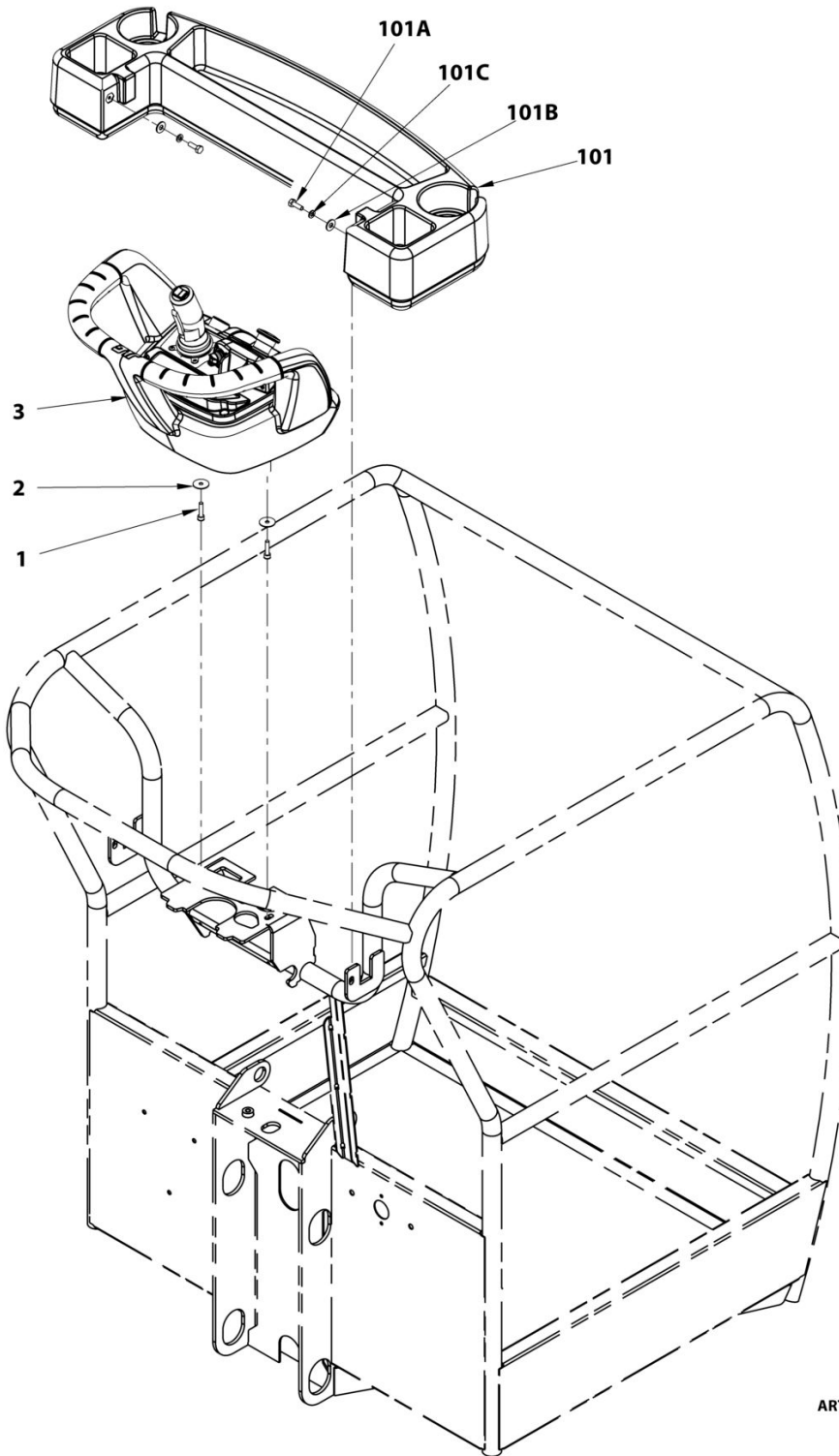
SECTION 5 - PLATFORM INSTALL / INSTALLATION PLATE-FORME

FIGURE 5-4. 20E-PLATFORM,SALOON GATES / 20E- PLATE-FORME - PORTE SALOON

ITEM	PART NUMBER	QTY	DESCRIPTION	REV
	1001215766	Ref	20E-PLATFORM,SALOON GATES / 20E-PLATE-FORME - PORTE SALOON	C
1	000014	3	M06x12 8.8 SOCKET HEAD MACH SCREW / VIS CHC M06x12 8.8 BI FT	
2	100013	8	M06x50 8.8 HEX HEAD CAPSCREW / VIS CHC M04x08 8.8 BI FT	
3	100054	1	M08x16 8.8 HEX HEAD MACHINE SCREW / VIS H M08x16 8.8 BI FT	
4	110003	4	M06 GR. 8.8 LOCK NUT / ECROU FREIN M6 CL08 BI	
5	110022	1	M08 GR. 8.8 FLAT HEX NUT / ECROU Hm M08 CL04 ZI	
6	120009	5	LOCK WASHER D06x14 / RONDELLE CONTACT dD 06x14 BI	
7	400099	6	CAP,TUBE / BOUCHON TUBE	
8	3340962	2	PAD,ARM REST / BUTEE D'ARRET	
9	1001258232	8	RIVET,NUT M6 / ECROU RIVET M6	
10	1001263939	4	SHIM,PLATFORM GATE / CALE PORTE PANIER	
11	4220309	4	STOP,SWING GATE / BUTEE PORTE PIVOTANTE	
12	8990147	1	HOLDER, MANUAL / BOITE PORTE-DOCUMENTS	
13	1001213260	2	GATE,PLATFORM / PORTE PLATE-FORME	
14	1001215090	1	PLATFORM,SALOON GATES / PLATE-FORME A PORTE SALOON	
15	2080040	16	HUCK MAGNALOK BLIND FASTENER / ATTACHE BORGNE	
16	2600281	4	HINGE,SELF CLOSING STAINLESS / CHARNIERE INOX FERMETURE AUTOMATIQUE	
17	ST2741	1	SHIM, CHECKING / CALE DE VERIFICATION	
18	US0236	1	SCREW, ADJUSTMENT / VIS DE REGLAGE	
19	000015	1	M06x16 8.8 SOCKET HEAD MACH SCREW / VIS CHC M06x16 8.8 BI FT	
20	000090	2	M04x08 8.8 SOCKET HEAD MACH SCREW / VIS CHC M04x08 8.8 BI FT	
21	120024	2	LOCK WASHER D04x10 / RONDELLE CONTACT M4 BI	
22	400096	1	CLAMP,DIA. 28MM / COLLIER D28 mm	
23	400010	1	HOSE GUARD (quantity indicated in meter) / GAINE	
24	ST3414	1	SHIELD,COVER CONNECTORS / CARTER CONNECTEURS BOITIER	

SECTION 5 - PLATFORM INSTALL / INSTALLATION PLATE-FORME

FIGURE 5-5. CONSOLE AND CONTAINER INSTALL / INSTALLATION BOITIER DE COMMANDE ET BOITE A OUTILS



ART_SP0971

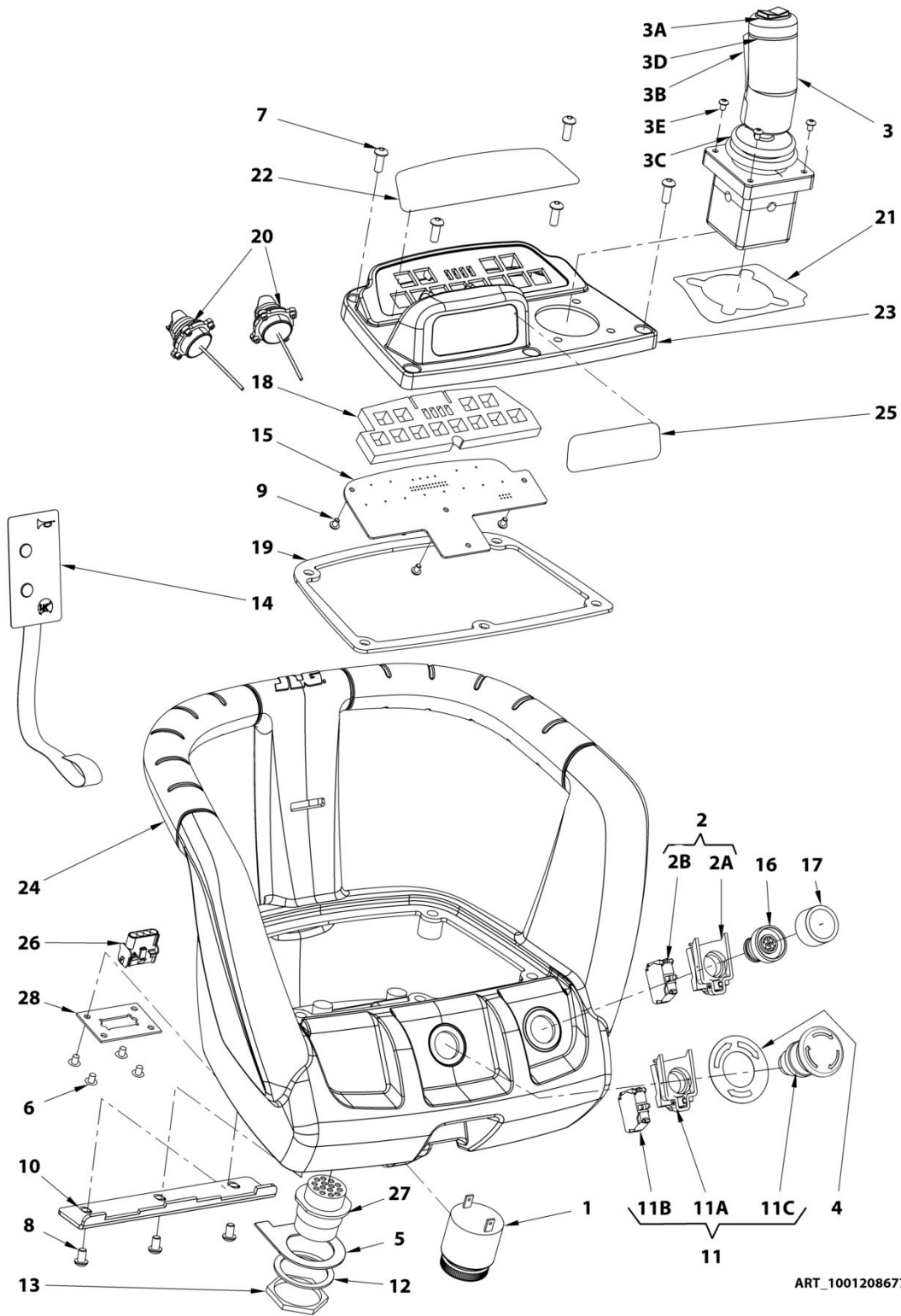
SECTION 5 - PLATFORM INSTALL / INSTALLATION PLATE-FORME

FIGURE 5-5. CONSOLE AND CONTAINER INSTALL / INSTALLATION BOITIER DE COMMANDE ET BOITE A OUTILS

ITEM	PART NUMBER	QTY	DESCRIPTION	REV
	1001209934	Ref	INSTALL,UPPER CONTROL BOX / ASSEMBLAGE BOITIER DE COMMANDE	
1	000008	2	M06x25 8.8 SOCKET HEAD MACH SCREW / VIS CHC M06x25 8.8 BI FT	
2	120004	2	D06X25 LARGE WASHER / RONDELLE dD 06x25x1.2 BI	
3	1001208677	1	ELEC ASSY,PLATFORM CONTROL BOX / ASSEMBLAGE ELECTRIQUE, BOITIER DE COMMANDE	
	SA0020	Ref	INSTALL, CONTAINER STORAGE TRAY / INSTALLATION BOITE A OUTILS	B
101	1580012	1	CONTAINER, STORAGE TRAY / BOITE A OUTILS	
101A	0641406	2	HEX HD CAPSCREW, 1/4-20 x 3/4 LG / VIS H 1/4-20 x 3/4 LG	
101B	4751400	2	WASHER, 1/4" DIA PLAIN STL., WIDE / RONDELLE LARGE D, 1/4"	
101C	4761400	2	WASHER, 1/4" DIA ZINC PLT LOCK / RONDELLE FREIN D, 1/4" BI	

SECTION 5 - PLATFORM INSTALL / INSTALLATION PLATE-FORME

FIGURE 5-6. PLATFORM CONSOLE ASSEMBLY / BOITIER HAUT



SECTION 5 - PLATFORM INSTALL / INSTALLATION PLATE-FORME

FIGURE 5-6. PLATFORM CONSOLE ASSEMBLY / BOITIER HAUT

ITEM	PART NUMBER	QTY	DESCRIPTION	REV
	1001208677		PLATFORM CONSOLE ASSEMBLY / BOITIER HAUT	E
1	0140011	1	AUDIBLE SIGNAL DEVICE / AVERTISSEUR SONORE	
2	240056	1	NO CONTACT BLOCK WITH HOLDER / EMBASE CONTACT NO	
2A	240076	1	CONTACT BLOCK HOLDER / EMBASE CONTACT	
2B	240058	1	NO CONTACT BLOCK / CONTACT NO	
3	1600458	1	JOYSTICK / JOYSTICK	
3A	70000084	1	CAP, RUBBER BOOT / PROTECTION CAOUTCHOUC	
3A	7027365	1	ACTUATOR HANDLE / ACTIONNEUR A BASCULE	
3B	7027367	1	SWITCH ENABLER / CONTACT VALIDATION	
3B	7027765	1	LEVER ENABLER / GACHETTE VALIDATION	
3C	70000682	1	RUBBER BELLOWS / SOUFFLET CAOUTCHOUC	
3D	7027766	1	BOOT RETAINING RING / ANNEAU DE BLOCAGE	
3E	130062	4	M04x16 8.8 ROUND HEAD MACH SCREW / VIS BOMBEE ULF M04x16 8.8 BI FT	
4	1706898	1	DECAL, EMERGENCY / AUTOCOLLANT ARRET D'URGENCE	
5	3575796	1	PLATE,D SLOT / PLAQUE ANTI-ROTATION	
6	3820019	4	RIVET, POP D4.75 L11.4 / RIVET POP D4.75 L11.4	
7	3900357	5	M06x16 10.9 BUTTON HEAD MACH SCREW / VIS BOMBEE ULF M06x16 10.9 BI FT	
8	3900358	3	M06x10 10.9 BUTTON HEAD MACH SCREW / VIS BOMBEE ULF M06x10 10.9 BI FT	
9	3900359	3	M04x06 10.9 BUTTON HEAD MACH SCREW / VIS BOMBEE ULF M04x06 10.9 BI FT	
10	4340871	1	MOUNT / BRIDE RENFORT	
11	4360562	1	COMPLETE KNOB / ARRET D'URGENCE COMPLET	
11A	240076	1	SWITCH BASE / EMBASE CONTACT	
11B	240057	1	NC CONTACT BLOCK / CONTACT NF	
11C	240060	1	TURN TO RELEASE KNOB / BOUTON D'ARRET D'URGENCE 1/4 TOUR	
12	4460496	1	LOCKWASHER, DEUTSCH TERMINAL / RONDELLE CONNECTEUR DEUTSCH	
13	4460497	1	NUT, DEUTSCH TERMINAL HD30 / ECROU CONNECTEUR DEUTSCH HD30	
14	1001091989	1	MEMBRANE SWITCHES / INTERUPTEURS A MEMBRANE	
15	1001152692	1	CONTROLLER, PLATFORM MODULE / CARTE BOITIER HAUT PROGRAMMEE	
16	1001115919	1	SWITCH, PUSH BUTTON-ENABLE / BP DE VALIDATION	
17	1001117177	1	SWITCH,NEOPRENE BOOT / CAPUCHON D'ETANCHEITE NEOPRENE	
18	1001154560	1	SEAL,FORM SPACER GASKET / JOINT MOUSSE	
19	1001155328	1	SEAL,CONSOLE BOX LID / JOINT FACADE BOITIER HAUT	
20	1001155354	2	THUMB JOYSTICK / MINI JOYSTICK	
21	1001155460	1	DECAL,DRIVE SWING JOYSTICK / AUTOCOLLANT JOYSTICK TRANSLATION	
22	1001155462	1	DECAL,LIGHT PANEL ICON DISPLAY / AUTOCOLLANT INDICATEURS BOITIER HAUT	
23	1001157657	1	PANEL,CONSOLE COVER / PLATINE BOITIER HAUT	
24	1001208678	1	BOX,PLATFORM CONSOLE / BOITIER HAUT	
25	1001208856	1	DECAL,JIB,MAST JOYSTICK / AUTOCOLLANT JOYSTICK MAT ET BRAS	
26	1001208857	1	HARNESS,JOYSTICS / FAISCEAU JOYSTICKS	

SECTION 5 - PLATFORM INSTALL / INSTALLATION PLATE-FORME

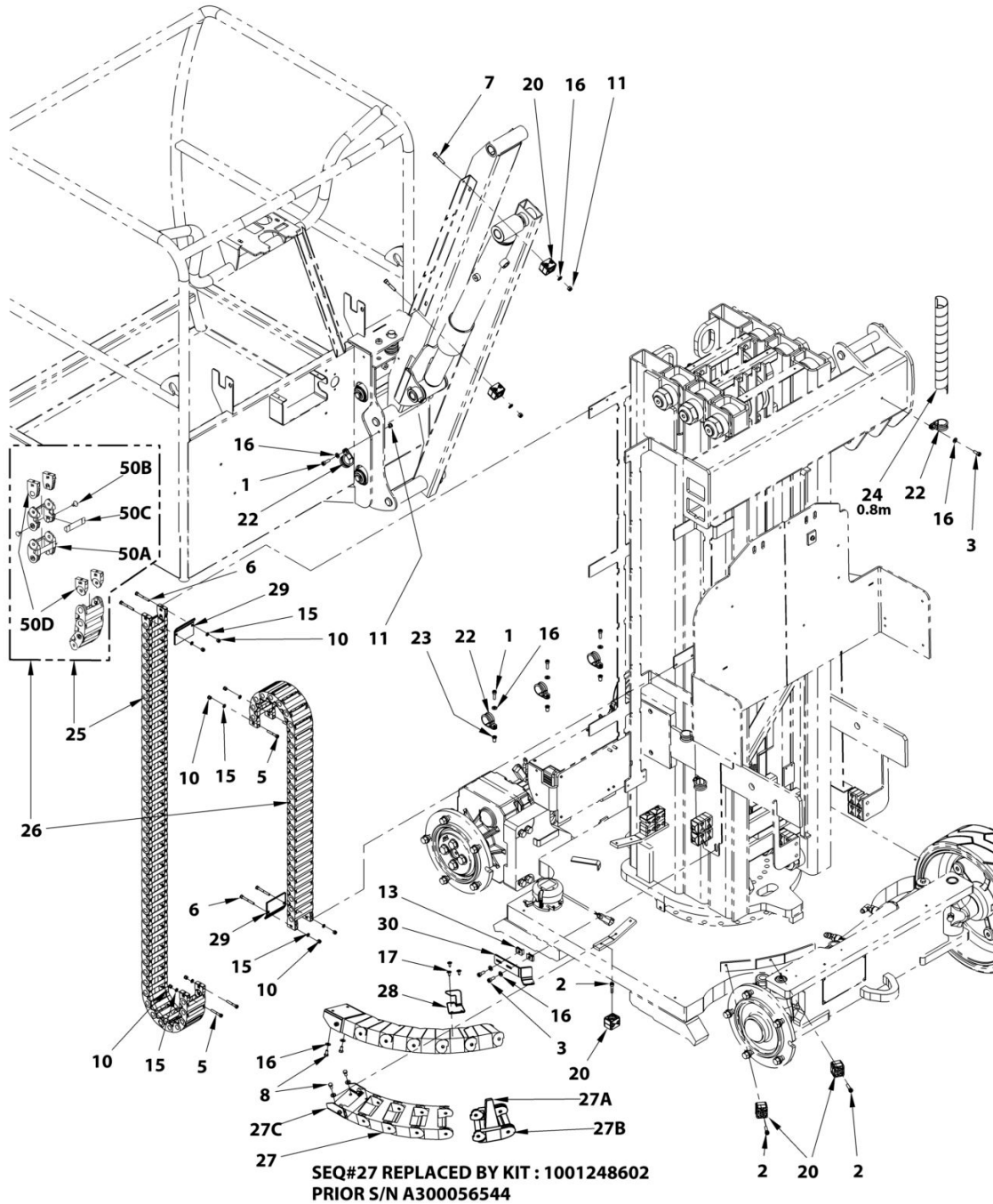
ITEM	PART NUMBER	QTY	DESCRIPTION	REV
27	PC0606	1	HARNES UCB / FAISCEAU BOITIER HAUT	
28	ST3312	1	PLATE,PLUG MOUNT / PLATINE MONTAGE CONNECTEUR	

**SECTION 6 - POWER TRACKS AND CLAMPS / INSTALLATION CHAINES
PORTE-CABLES**

**SECTION 6 - POWER TRACKS AND CLAMPS / INSTALLATION
CHAINES PORTE-CABLES**

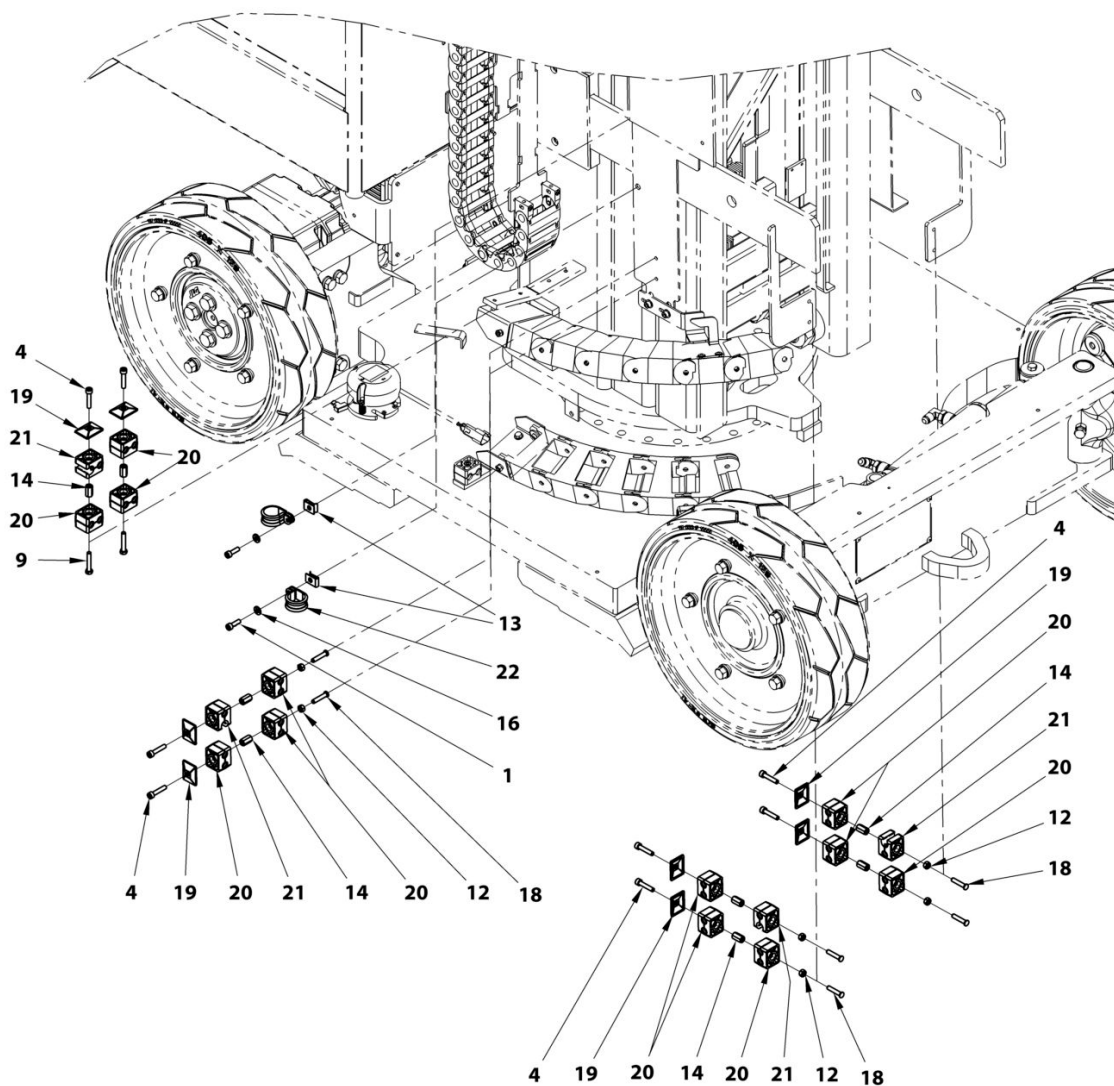
SECTION 6 - POWER TRACKS AND CLAMPS / INSTALLATION CHAINES PORTE-CABLES

FIGURE 6-1. INSTALL, POWER TRACKS AND CLAMPS / INSTALLATION CHAINES PORTE-CABLES



ART_1001209859_1

SECTION 6 - POWER TRACKS AND CLAMPS / INSTALLATION CHAINES PORTE-CABLES



ART_1001209859_2

SECTION 6 - POWER TRACKS AND CLAMPS / INSTALLATION CHAINES PORTE-CABLES

FIGURE 6-1. INSTALL,POWER TRACKS AND CLAMPS / INSTALLATION CHAINES PORTE-CABLES

ITEM	PART NUMBER	QTY	DESCRIPTION	REV
	1001209859	Ref	POWER TRACKS AND CLAMPS INSTALL / INSTALLATION CHAINES PORTE-CABLES	D
1	000005	6	M06x20 8.8 SOCKET HEAD MACH SCREW / VIS CHC M06x20 8.8 BI FT	
2	000008	3	M06x25 8.8 SOCKET HEAD MACH SCREW / VIS CHC M06x25 8.8 BI FT	
3	000015	3	M06x16 8.8 SOCKET HEAD MACH SCREW / VIS CHC M06x16 8.8 BI FT	
4	000016	8	M06x30 8.8 SOCKET HEAD MACH SCREW / VIS CHC M06x30 8.8 BI FT	
5	000030	4	M05x35 8.8 SOCKET HEAD CAPSCREW / VIS CHC M05x35 8.8 ZI FP	
6	000051	4	M05x45 8.8 SOCKET HEAD CAPSCREW / VIS CHC M05x45 8.8 BI FP	
7	000077	2	M06x35 8.8 SOCKET HEAD CAPSCREW / VIS CHC M06x35 8.8 BI FP	
8	100027	4	M06x12 8.8 HEX HEAD MACHINE SCREW / VIS H M06x12 8.8 BI FT	
9	100051	2	M06x35 8.8 HEX HEAD MACHINE SCREW / VIS H M06x35 8.8 BI FT	
10	110002	8	M05 GR. 8.8 LOCK NUT / ECROU FREIN M5 CL08 BI	
11	110003	3	M06 GR. 8.8 LOCK NUT / ECROU FREIN M6 CL08 BI	
12	110015	6	M06 GR. 8.8 HEX NUT / ECROU H M06 CL08 BI	
13	110026	4	M06 CAGE HEX NUT / ECROU CAGE M06	
14	110041	8	NUT,M6 EXTENSION / ECROU RALLONGE M6	
15	120002	8	M05 WASHER / RONDELLE M05 BI	
16	120009	15	LOCK WASHER D06x14 / RONDELLE CONTACT dD 06x14 BI	
17	130007	3	Ø4.8x13 SHEET METAL SCREW / VIS AUTOTARAUDEUSE D4.8-13 BI	
18	130066	6	STUD,SELF-CRIMPING,M6x30 / GOUJON A SERTIR M06x30	
19	400012	8	PAIR 1/2 SHELL PLATE / PLAQUE DE SERRAGE T1	
20	400018	17	CLAMP,TWIN 12-12 PP,BLK / COLLIER DOUBLE D12	
21	400092	4	CLAMP,TWIN 15-12 PP,BLK / COLLIER DOUBLE D12.7 / D15	
22	400096	7	CLAMP,DIA. 28mm / COLLIER D28 mm	
23	1001258232	3	RIVET,NUT M6 / ECROU RIVET M6	
24	400010	0.8 m	HOSE GUARD / GAINE	
25	ST1326	1	POWER TRACK 44L / CHAINE PORTE-CABLES 44M	
26	ST1327	1	POWER TRACK 27L / CHAINE PORTE-CABLES 27M	
27	ST1328	1	ROTARY POWER TRACK / CHAINE PORTE-CABLES CIRCULAIRE (Prior to SN A300056544)	
27A	920008	x	ROTARY POWER TRACKS COVER / CLIP CHAINE CIRCULAIRE (Prior to SN A300056544)	
27B	920002	x	ROTARY POWER TRACKS LINK / MAILLON CHAINE CIRCULAIRE (Prior to SN A300056544)	
27	1001239742	1	CIRCULAR POWER BRIDGE / CHAINE PORTE-CABLES CIRCULAIRE (SN A300056544 to Present)	
27A	1001248511	x	POWER TRACK,COVER / CLIP CHAINE CIRCULAIRE (SN A300056544 to Present)	
27B	1001248510	x	POWER TRACK,LINK / MAILLON CHAINE CIRCULAIRE (SN A300056544 to Present)	
27C	1001248513	x	POWER TRACK,ATTACHMENT / FIXATION CHAINE	

SECTION 6 - POWER TRACKS AND CLAMPS / INSTALLATION CHAINES PORTE-CABLES

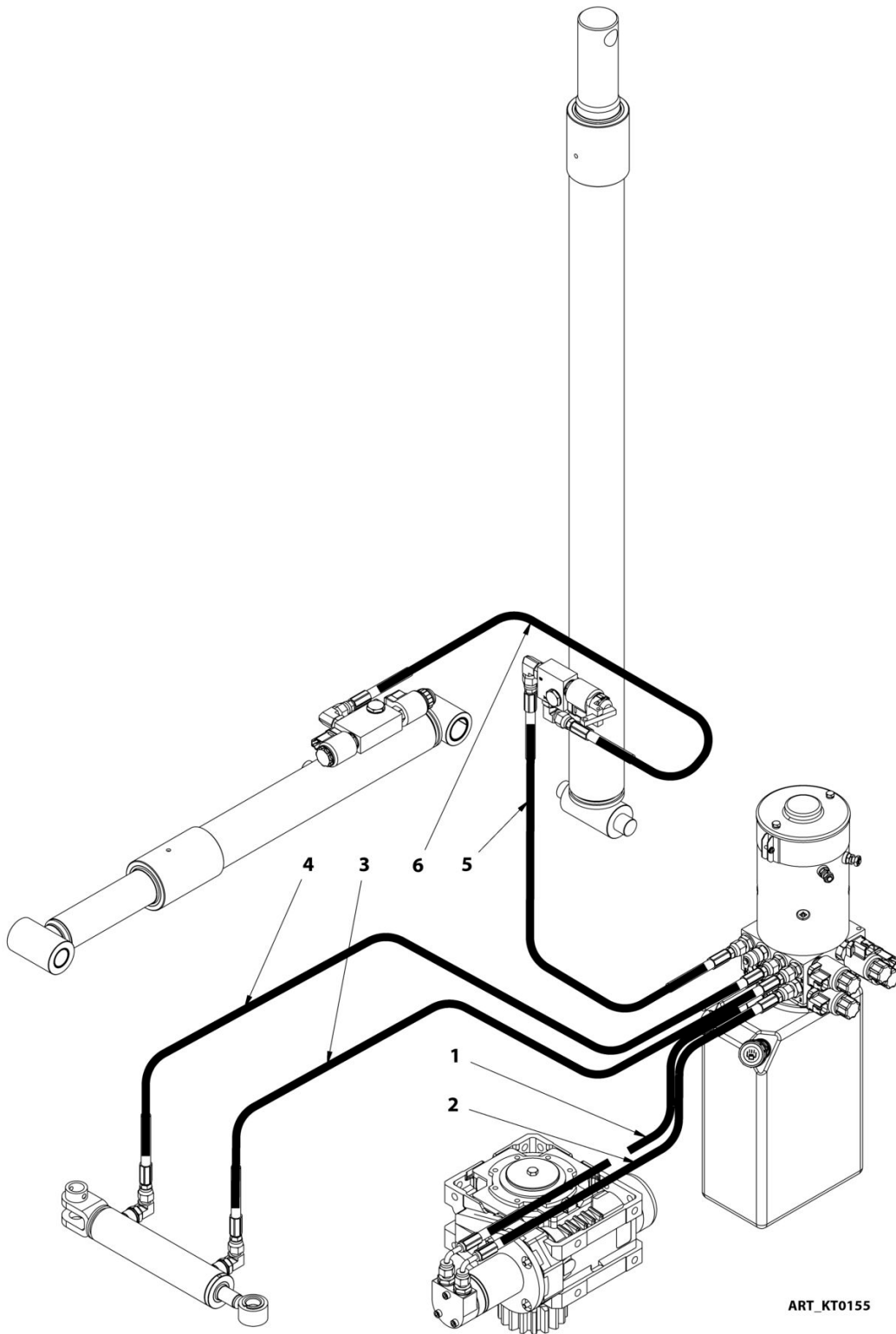
ITEM	PART NUMBER	QTY	DESCRIPTION	REV
28	ST3216	1	CIRCULAIRE (SN A300056544 to Present) PLATE,POWER TRACK HOOK / SOUTIEN DE CHAINE PORTE- CABLES (Prior to SN A300056544)	
28	1001239741	1	PLATE,POWER TRACK HOOK / SOUTIEN DE CHAINE PORTE- CABLES (SN A300056544 to Present)	
29	ST3219	2	PLATE,CABLES KEEPER / BRIDE DE CABLES	
30	ST3442	1	SUPPORT,POWER TRACKS / SOUTIEN DE CHAINE PORTE- CABLES	
50A	920042	x	POWER TRACKS LINK / MAILLON CHAINE PORTE-CABLES	
50B	920045	x	POWER TRACKS PIN PG305 / AXE CHAINE PORTE-CABLES PG305	
50C	920046	x	POWER TRACKS COVER / CAPOT CHAINE PORTE-CABLES	
50D	920073	x	POWER TRACKS ATTACHMENT KIT SR305 / KIT ATTACHES CHAINE PORTE-CABLES SR305	

SECTION 7 - HYDRAULIC INSTALL / INSTALLATION HYDRAULIQUE

SECTION 7 - HYDRAULIC INSTALL / INSTALLATION HYDRAULIQUE

SECTION 7 - HYDRAULIC INSTALL / INSTALLATION HYDRAULIQUE

FIGURE 7-1. HOSES KIT DIAGRAM / SCHEMA KIT FLEXIBLES



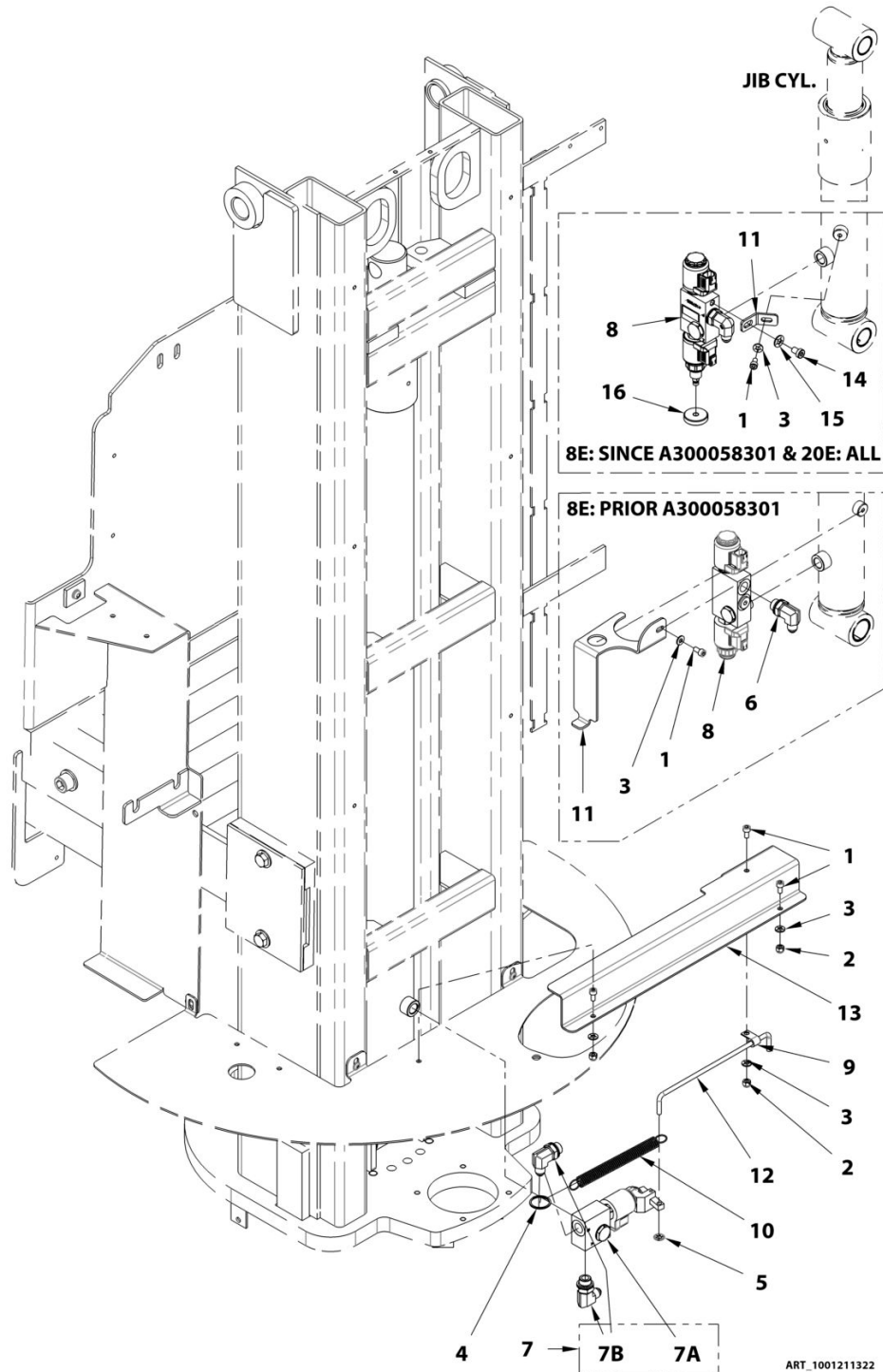
SECTION 7 - HYDRAULIC INSTALL / INSTALLATION HYDRAULIQUE

FIGURE 7-1. HOSES KIT DIAGRAM / SCHEMA KIT FLEXIBLES

ITEM	PART NUMBER	QTY	DESCRIPTION	REV
	KT0155	1	HOSES KIT / KIT FLEXIBLES	A
1	DF0981	1	HOSE 1/4-0205cm-JIC Fem 9/16-JIC Fem 9/16 90° / FLEXIBLE 1/4-0205cm-JIC Fem 9/16-JIC Fem 9/16 90°	
2	DF0982	1	HOSE 1/4-BLUE-0205cm-JIC Fem 9/16-JIC Fem 9/16 90° / FLEXIBLE 1/4-BLEU-0205cm-JIC Fem 9/16-JIC Fem 9/16 90°	
3	DF0050	1	HOSE 1/4-0450cm-JIC Fem 9/16-JIC Fem 9/16 / FLEXIBLE 1/4-0450cm-JIC Fem 9/16-JIC Fem 9/16	
4	DF0983	1	HOSE 1/4-GREEN-0430cm-JIC Fem 9/16-JIC Fem 9/16 / FLEXIBLE 1/4-VERT-0430cm-JIC Fem 9/16-JIC Fem 9/16	
5	DF0002	1	HOSE 5/16-0185cm-JIC Fem 9/16-JIC Fem 9/16 / FLEXIBLE 5/16-0185cm-JIC Fem 9/16-JIC Fem 9/16	
6	DF0984	1	HOSE 5/16-0755cm-JIC Fem 9/16-JIC Fem 9/16 / FLEXIBLE 5/16-0755cm-JIC Fem 9/16-JIC Fem 9/16	

SECTION 7 - HYDRAULIC INSTALL / INSTALLATION HYDRAULIQUE

FIGURE 7-2. CONTROL VALVES INSTALL / INSTALLATION DISTRIBUTEURS



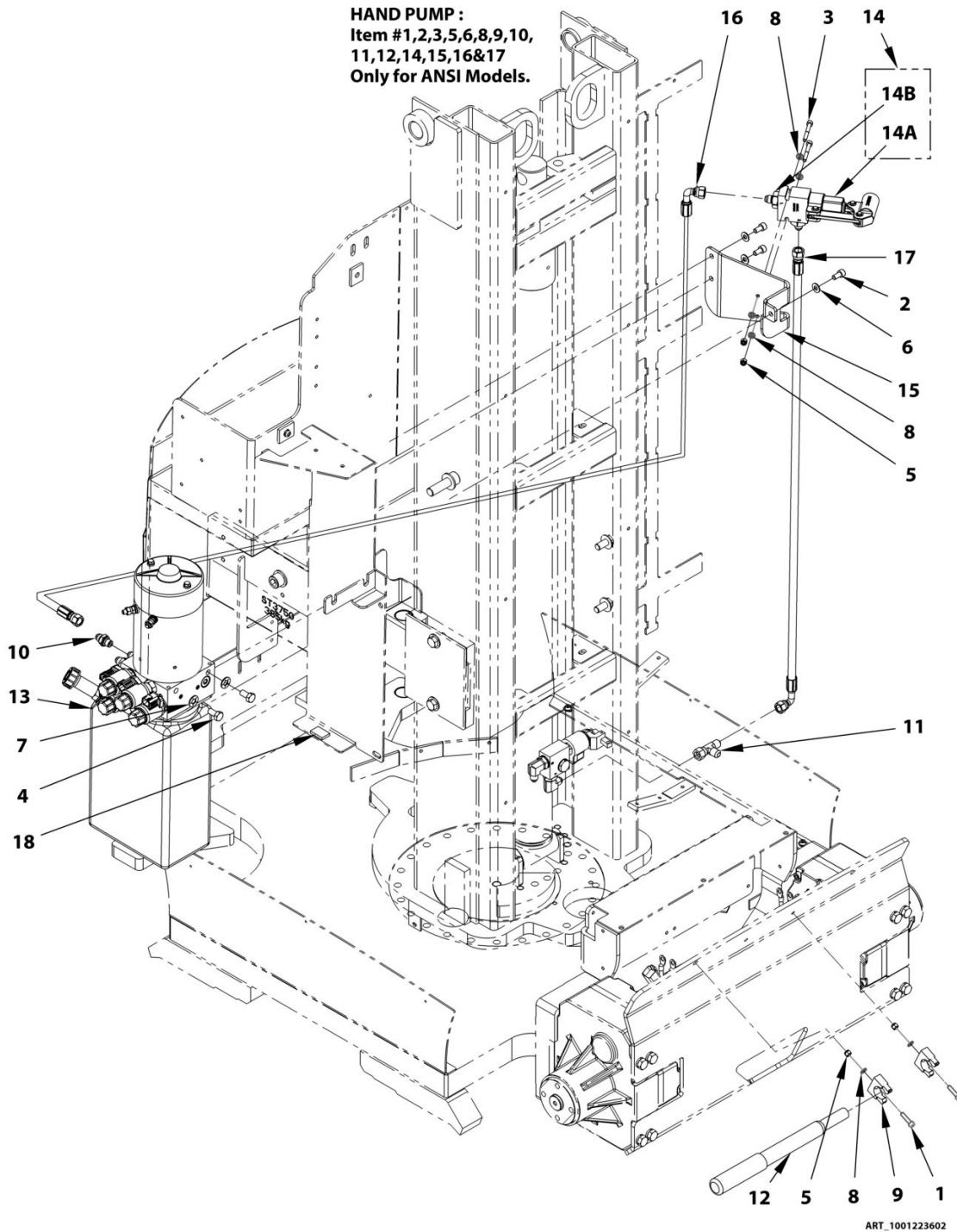
SECTION 7 - HYDRAULIC INSTALL / INSTALLATION HYDRAULIQUE

FIGURE 7-2. CONTROL VALVES INSTALL / INSTALLATION DISTRIBUTEURS

ITEM	PART NUMBER	QTY	DESCRIPTION	REV
	1001211322	Ref	INSTALL,CTL VALVES / INSTALLATION DISTRIBUTEURS	B
1	000014	4	M06x12 8.8 SOCKET HEAD MACH SCREW / VIS CHC M06x12 8.8 BI FT	
2	110003	3	M06 GR. 8.8 LOCK NUT / ECROU FREIN M6 CL08 BI	
3	120009	4	LOCK WASHER D06x14 / RONDELLE CONTACT dD 06x14 BI	
4	140014	1	LOCKING PIN RING / ANNEAU INDEX	
5	140024	1	WASHER-SPEC,PUSH-ON RETAINING D6 / RONDELLE AUTO-BLOQUANTE D6	
6	300061	1	90° ELBOW MALE BSPP 3/8-MALE JIC 9/16 / COUDE 90° MALE BSPP3/8-MALE JIC9/16	
7	1001216711	1	VALVE ASSY,MAST CYLINDER / ASSEMBLAGE DISTRIBUTEUR VERIN MAT	
7A	520115	1	VALVE,MAST CYLINDER / DISTRIBUTEUR VERIN MAT	
7B	300061	1	90° ELBOW MALE BSPP 3/8-MALE JIC 9/16 / COUDE 90° MALE BSPP3/8-MALE JIC9/16	
8	520116	1	VALVE ASSY,JIB CYLINDER / ASSEMBLAGE DISTRIBUTEUR VERIN BRAS (Prior to SN A300058301)	
8	1001222936	1	VALVE ASSY,JIB CYLINDER / ASSEMBLAGE DISTRIBUTEUR VERIN BRAS (SN A300058301 to Present, Including A300058268)	
9	1321293	1	CLAMP, INSULATED BAND / COLLIER ISOLE	
10	160018	1	SPRING, TRACTION 160 140 1000 I / RESSORT DE TRACTION 160 140 1000 I	
11	ST3413	1	CYLINDER VALVE GUARD / PROTECTION VALVE VERIN (Prior to SN A300058301)	
11	1001225530	1	CYLINDER VALVE GUARD / PROTECTION VALVE VERIN (SN A300058301 to Present, Including A300058268)	
12	ST3704	1	LINK,MANUAL DESCENT / TIRETTE DE SECOURS	
13	ST3707	1	LINK COVER / PROTECTION TIRETTE	
14	000059	1	M08x12 8.8 SOCKET HEAD MACH SCREW / VIS CHC M08x12 8.8 BI FT (SN A300058301 to Present, Including A300058268)	
15	120010	1	LOCK WASHER D08x18 / RONDELLE CONTACT dD 08x18 BI (SN A300058301 to Present, Including A300058268)	
16	US0277	1	CYLINDER EMERGENCY BUTTON / BOUTON DE SECOUR VERIN (SN A300058301 to Present, Including A300058268)	

SECTION 7 - HYDRAULIC INSTALL / INSTALLATION HYDRAULIQUE

FIGURE 7-3. TANK AND PUMP INSTALL / INSTALLATION GROUPE HYDRAULIQUE



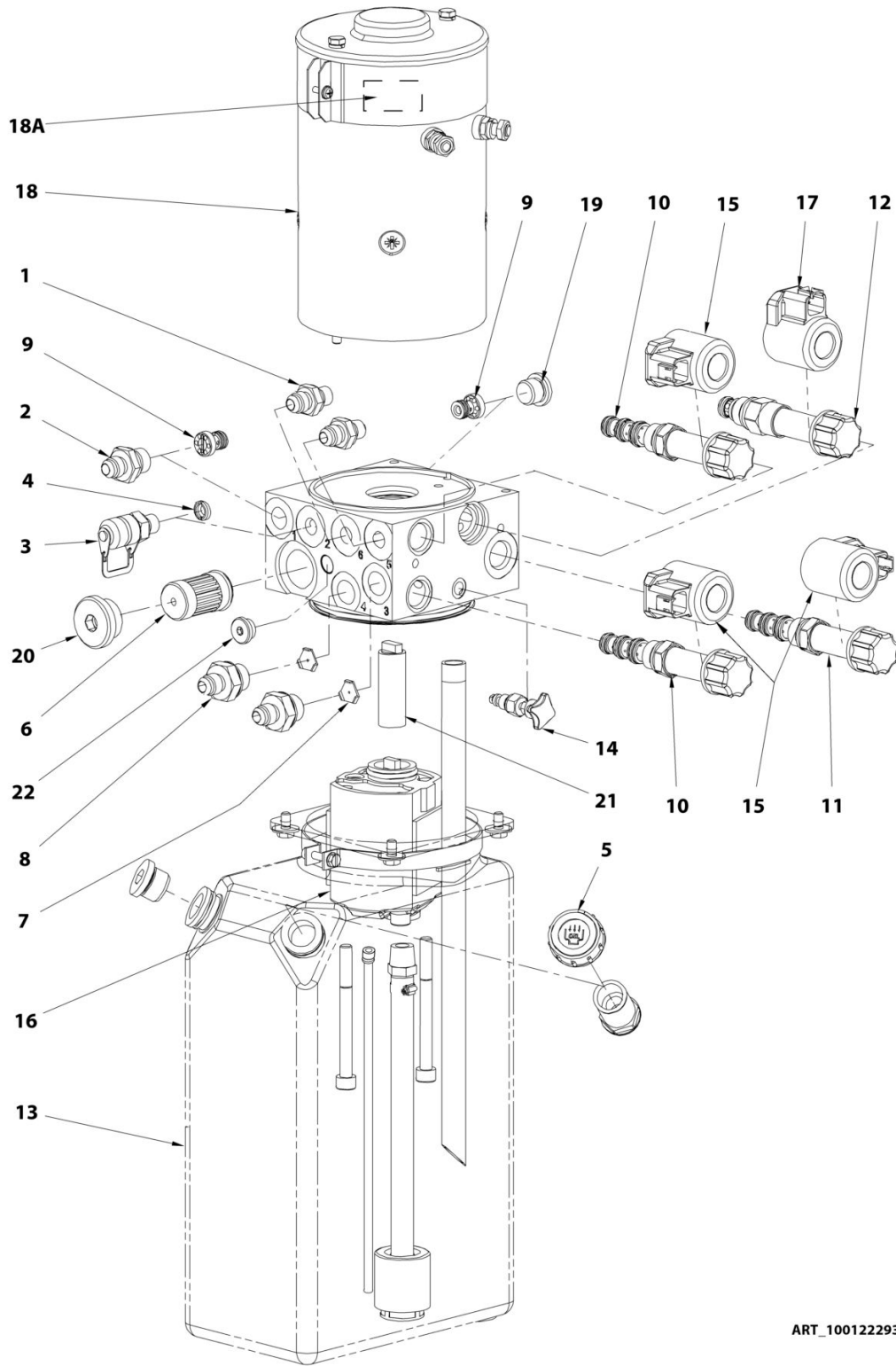
SECTION 7 - HYDRAULIC INSTALL / INSTALLATION HYDRAULIQUE

FIGURE 7-3. TANK AND PUMP INSTALL / INSTALLATION GROUPE HYDRAULIQUE

ITEM	PART NUMBER	QTY	DESCRIPTION	REV
	1001223602	Ref	20E-INSTALL,TANK & PUMP (HAND PUMP) / 20E-INSTALLATION GROUPE (POMPE A MAIN)	
1	000008	2	M06x25 8.8 SOCKET HEAD MACH SCREW / VIS CHC M06x25 8.8 BI FT	
2	000018	3	M08x16 8.8 SOCKET HEAD MACH SCREW / VIS CHC M08x16 8.8 BI FT	
3	000026	2	M06x50 8.8 SOCKET HEAD CAPSCREW / VIS CHC M06x50 8.8 BI FP	
4	100156	2	M10x20 8.8 HEX HEAD MACHINE SCREW / VIS H M10x20 8.8 BI FT	
5	110003	4	M06 GR. 8.8 LOCK NUT / ECROU FREIN M6 CL08 BI	
6	120010	3	LOCK WASHER D08x18 / RONDELLE CONTACT dD 08x18 BI	
7	120011	2	LOCK WASHER D10x22 / RONDELLE CONTACT dD 10x22 BI	
8	120030	6	LOCK WASHER D06x12 / RONDELLE CONTACT dD 06x12 BI	
9	190027	2	Ø22 CLIP / CLIP Ø22	
10	300025	1	FITTING MALE BSPP1/4-MALE JIC9/16 / RACCORD MALE BSPP1/4-MALE JIC9/16	
11	300037	1	RUN TEE JIC 9/16 SWIVEL NUT / TE ECROU TOURNANT JIC 9/16	
12	310109	1	LEVER,HAND PUMP / MANCHE POMPE A MAIN	
13	1001222935	1	PUMP,MOTOR/TANK / GROUPE HYDRAULIQUE	
14	1001222937	1	PUMP,HAND PUMP ASSEMBLY / ASSEMBLAGE POMPE A MAIN	
14A	1001225624	1	PUMP,HAND PUMP / POMPE A MAIN	
14B	300044	2	FITTING MALE BSPP 1/2-MALE JIC 9/16 / RACCORD MALE BSPP 1/2-MALE JIC 9/16	
15	1001223714	1	PLATE,HAND PUMP SUPPORT / SUPPORT POMPE A MAIN	
16	1001223893	1	HOSE,5/16" 114cm-FEM JIC 9/16-90° FEM JIC 9/16 / FLEXIBLE 5/16" 114cm-FEM JIC 9/16-90° FEM JIC 9/16	
17	1001223897	1	HOSE,5/16" 105cm-FEM JIC 9/16-90° FEM JIC 9/16 / FLEXIBLE 5/16" 105cm-FEM JIC 9/16-90° FEM JIC 9/16	
18	ST3318	1	STOP,RUBBER STICK / BUTEE ELASTIQUE ADHESIVE	
	1001211321	Ref	8E-INSTALL,TANK & PUMP (W/O HAND PUMP) / 8E-INSTALLATION GROUPE (SANS POMPE A MAIN)	B
4	100156	2	M10x20 8.8 HEX HEAD MACHINE SCREW / VIS H M10x20 8.8 BI FT	
7	120011	2	LOCK WASHER D10x22 / RONDELLE CONTACT dD 10x22 BI	
13	1001222935	1	PUMP,MOTOR/TANK / GROUPE HYDRAULIQUE	B
18	ST3318	1	STOP,RUBBER STICK / BUTEE ELASTIQUE ADHESIVE	

SECTION 7 - HYDRAULIC INSTALL / INSTALLATION HYDRAULIQUE

FIGURE 7-4. TANK AND PUMP / GROUPE HYDRAULIQUE



ART_1001222935

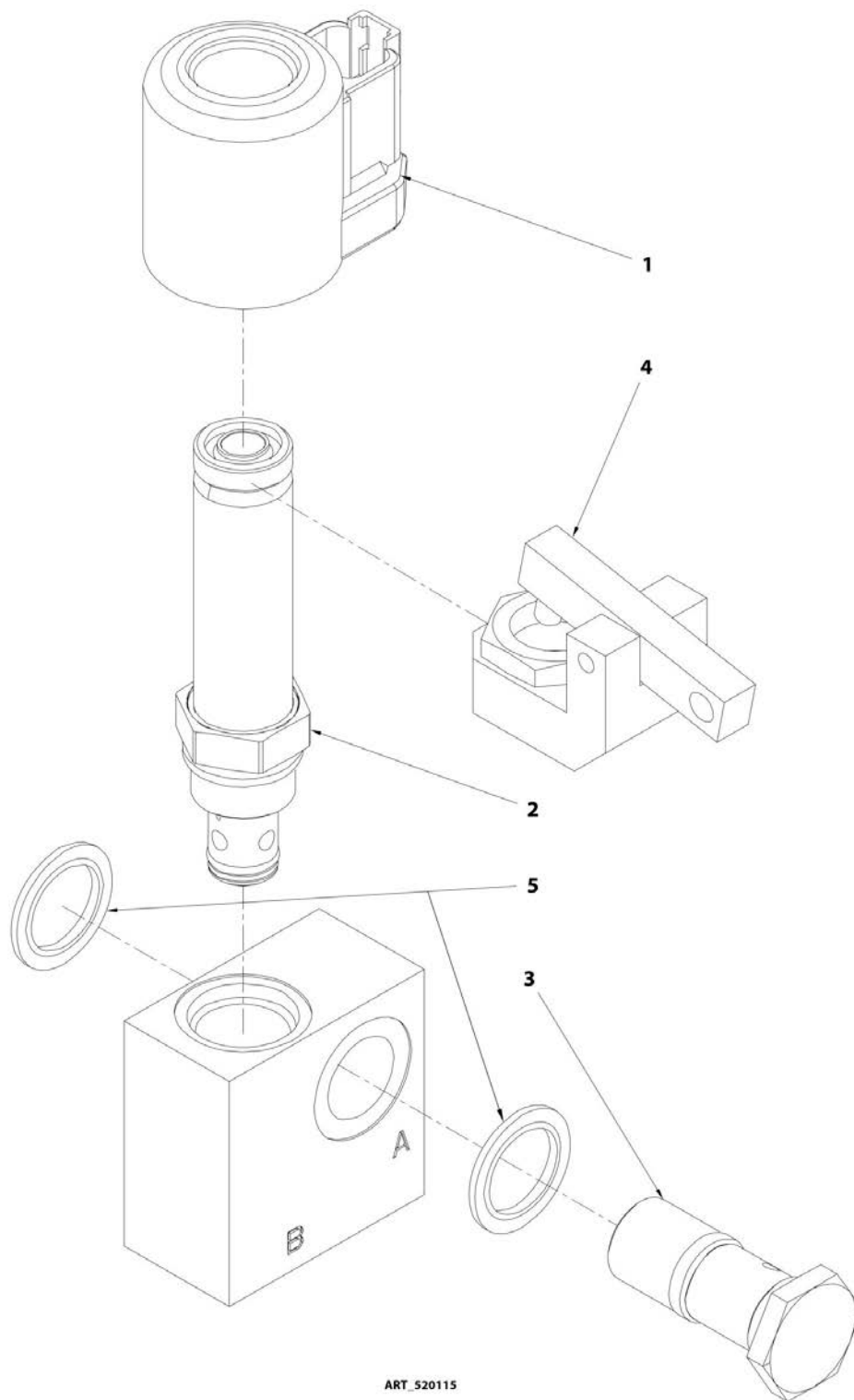
SECTION 7 - HYDRAULIC INSTALL / INSTALLATION HYDRAULIQUE

FIGURE 7-4. TANK AND PUMP / GROUPE HYDRAULIQUE

ITEM	PART NUMBER	QTY	DESCRIPTION	REV
	1001222935		PUMP, -MOTOR-TANK ASSEMBLY / GROUPE HYDRAULIQUE	C
1	300025	2	FITTING MALE BSPP1/4-MALE JIC9/16 / RACCORD MALE BSPP1/4-MALE JIC9/16	
2	300040	1	FITTING MALE BSPP3/8 MALE JIC9/16 / RACCORD MALE BSPP3/8 MALE JIC9/16	
3	300101	1	PRESSURE TEST PLUG BSPP1/4 / PRISE DE PRESSION BSPP1/4	
4	310091	1	SEEVE 1/4 BSPP MESH 0.1mm / TAMIS 1/4 BSPP MAILLE 0.1mm	
5	310103	1	BREATHER CAP / BOUCHON-RENIFLARD	
6	930134	1	FILTER, CARTRIDGE,10µm / ELEMENT FILTRANT 10µm	
7	930135	2	VALVE, JET / LIMITEUR DE DEBIT	
8	930136	2	ADPT, ST S JIC/MPP 6-M18 FG / RACCORD M18x150 JIC 9/16	
9	930138	2	CHECK VALVE / CLAPET A BILLE	
10	952094	2	4/2 SOLENOÏD DIRECTIONAL VALVEWK08Z / DISTRIBUTEUR 4/2 WK08Z	
11	952095	1	4/2 SOLENOÏD DIRECTIONAL VALVEWK08Y / DISTRIBUTEUR 4/2 WK08Y	
12	952096	1	PROPORTIONAL RELIEF VALVE-PDB08P / LIMITEUR DE PRESSION PROPORTIONNEL PDB08P	
13	952097	1	TANK, PLASTIC_6 LITERS / RESERVOIR PLASTIQUE 6 Litres	
14	952098	1	VALVE, NEEDLE,BUILD_IN / ROBINET	
15	952099	3	COIL, 24VDC_3012599 / BOBINE 24VDC_3012599	
16	952100	1	PUMP, GEAR PUMP 3, 1CC/REV / POMPE 3.1CC/Tr	
17	952101	1	COIL, 24VADC_3110057 / BOBINE 24VADC_3110057	
18	970065	1	MOTOR, 24VDC 3KW, AMK5542 / MOTEUR, 24VDC 3KW,AMK5542	
18A	951034	1	BRUSH KIT FOR AMK 5542 / KIT BALAIS DE CHARBON AMK 5542	
19	300047	1	CAP BSPP 3/8 / BOUCHON BSPP 3/8	
20	952108	1	FITTING,CAP M27x0.75 / BOUCHON M27x0.75	
21	1001215691	1	COUPLING,PUMP / MOTOR / ACCOUPLEMENT POMPE / MOTEUR	
22	300034	1	CAP MALE BSPP 1/4" / BOUCHON MALE BSPP 1/4"	

SECTION 7 - HYDRAULIC INSTALL / INSTALLATION HYDRAULIQUE

FIGURE 7-5. VALVE ASSY,MAST CYLINDER / ASSEMBLAGE DISTRIBUTEUR VERIN MAT



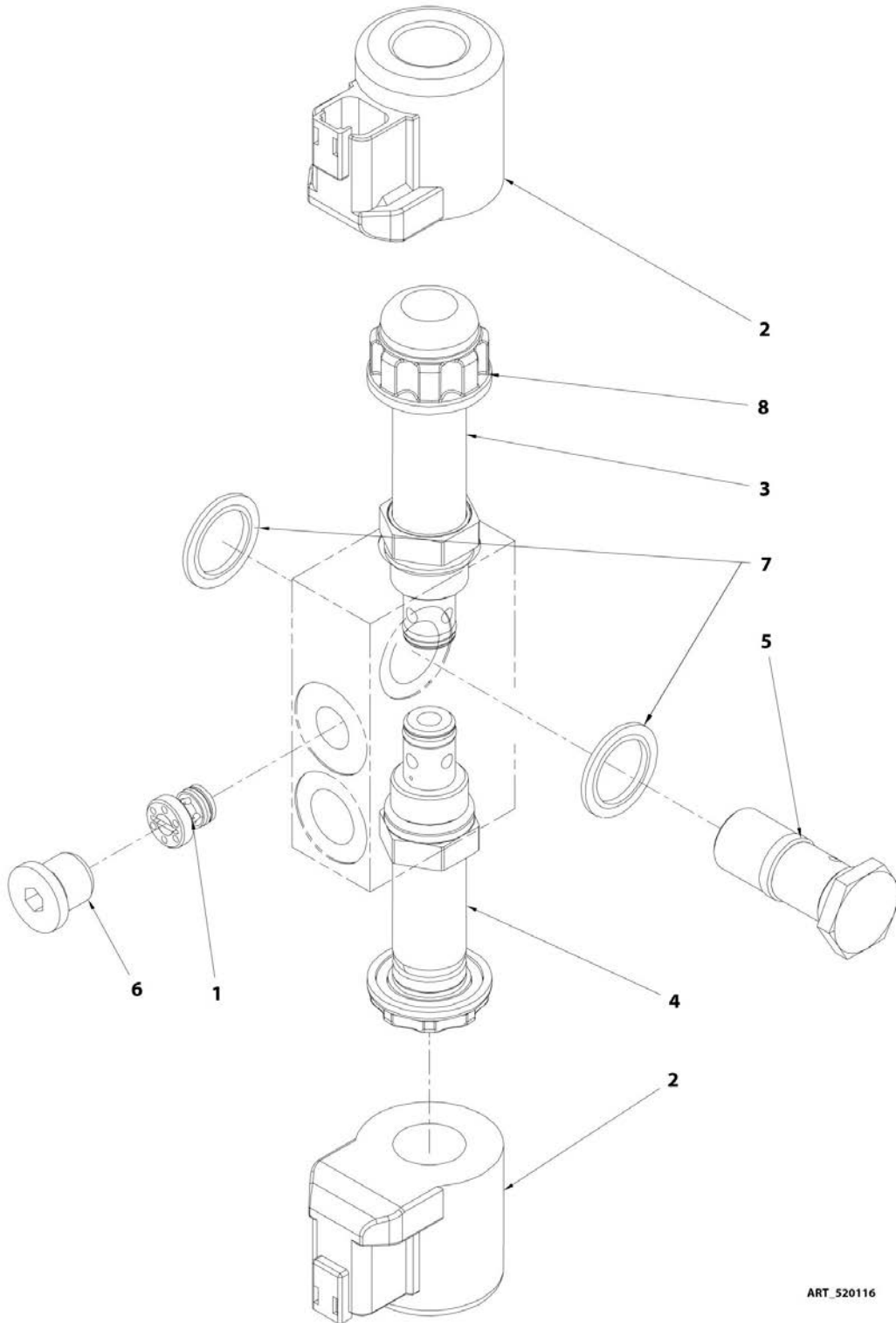
SECTION 7 - HYDRAULIC INSTALL / INSTALLATION HYDRAULIQUE

FIGURE 7-5. VALVE ASSY,MAST CYLINDER / ASSEMBLAGE DISTRIBUTEUR VERIN MAT

ITEM	PART NUMBER	QTY	DESCRIPTION	REV
	520115		VALVE, CYL. HOLDING WITH FLOW REGULATOR / DIST. VERIN AVEC REGULATEUR DE DEBIT	C
1	952099	1	COIL, 24VDC_3012599 / BOBINE 24VDC_3012599	
2	952102	1	2/2 SOLENOÏD DIRECTIONAL VALVE / DISTRIBUTEUR 2/2 WS08W	
3	952104	1	VALVE, FLOW REGULATOR-9L/MN / REGULATEUR DE DEBIT 9L/MN	
4	952106	1	MANUAL OVERRIDE SUPPORT, / COMMANDE MANUELLE	
5	952107	2	BS RING_HN48-10-U 16x24.7x1.5 St/NBR / BAGUE BS HN48-10- U 16x24.7x1.5 St/NBR	

SECTION 7 - HYDRAULIC INSTALL / INSTALLATION HYDRAULIQUE

FIGURE 7-6. VALVE ASSY, JIB CYLINDER / ASSEMBLAGE DISTRIBUTEUR VERIN BRAS (Prior to SN A300058301)



ART_520116

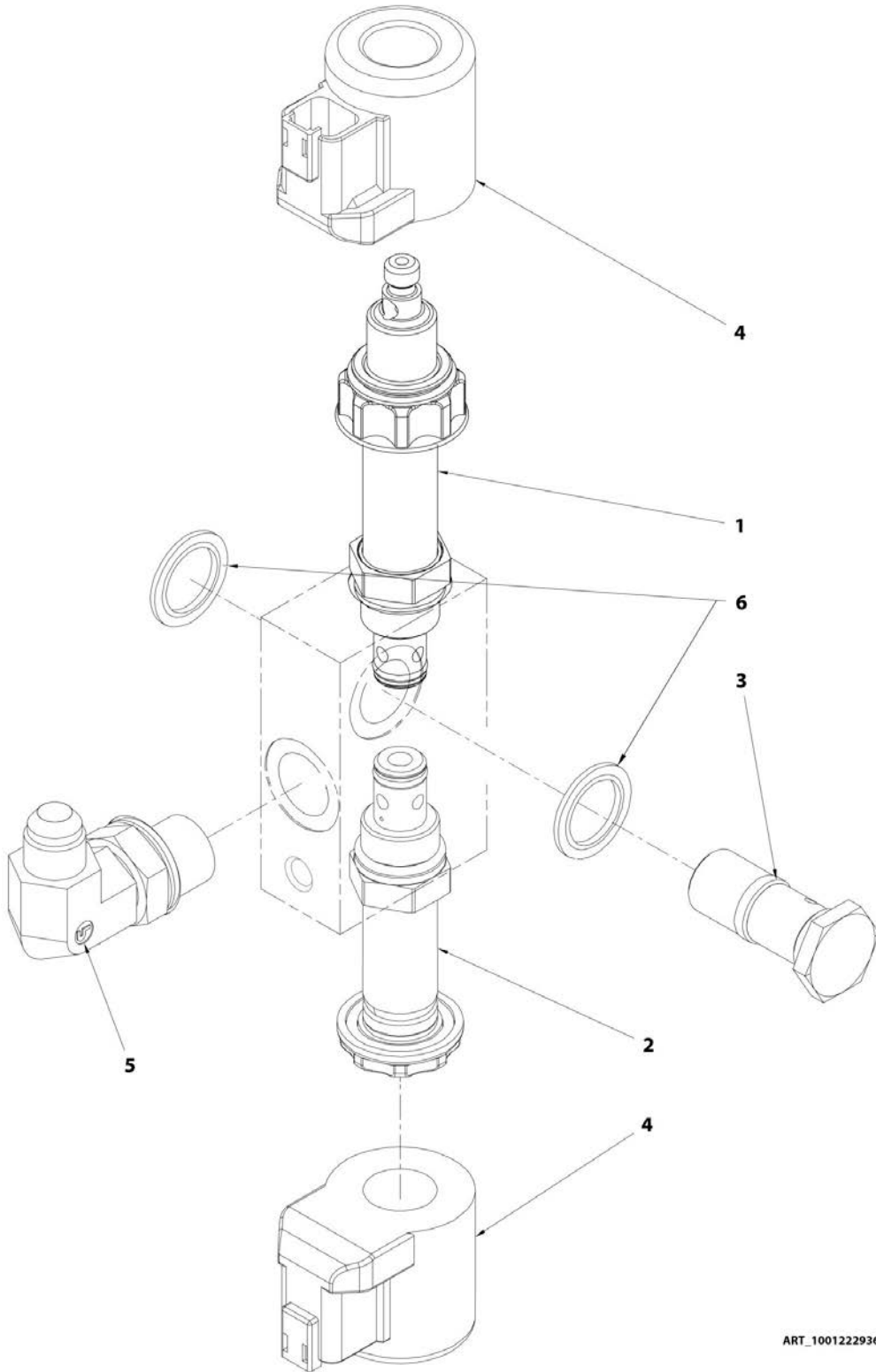
SECTION 7 - HYDRAULIC INSTALL / INSTALLATION HYDRAULIQUE

FIGURE 7-6. VALVE ASSY,JIB CYLINDER / ASSEMBLAGE DISTRIBUTEUR VERIN BRAS (Prior to SN A300058301)

ITEM	PART NUMBER	QTY	DESCRIPTION	REV
	520116		VALVE ASSY,JIB CYLINDER / ASSEMBLAGE DISTRIBUTEUR VERIN BRAS (Prior to SN A300058301)	C
1	930137	1	CHECK VALVE / CLAPET A BILLE	
2	952099	2	COIL, 24VDC_3012599 / BOBINE 24VDC_3012599	
3	952102	1	2/2 SOLENOİD DIRECTIONAL VALVE WS08W / DISTRIBUTEUR 2/2 WS08W	
4	952103	1	2/2 SOLENOİD DIRECTIONAL VALVE WS08Z / DISTRIBUTEUR 2/2 WS08Z	
5	952105	1	VALVE, FLOW REGULATOR-5L/MN / REGULATEUR DE DEBIT 5L/MN	
6	300034	1	CAP MALE BSPP 1/4" / BOUCHON MALE BSPP 1/4"	
7	952107	2	BS RING_HN48-10-U 16x24.7x1.5 St/NBR / BAGUE BS HN48-10-U 16x24.7x1.5 St/NBR	
8	952157	1	CAP,PUSH BUTTON VALVE NUT / ECROU BOUCHON DISTRIBUTEUR	

SECTION 7 - HYDRAULIC INSTALL / INSTALLATION HYDRAULIQUE

FIGURE 7-7. VALVE ASSY,JIB CYLINDER / ASSEMBLAGE DISTRIBUTEUR VERIN BRAS (SN A300058301 to Present)



ART_1001222936

SECTION 7 - HYDRAULIC INSTALL / INSTALLATION HYDRAULIQUE

FIGURE 7-7. VALVE ASSY,JIB CYLINDER / ASSEMBLAGE DISTRIBUTEUR VERIN BRAS (SN A300058301 to Present)

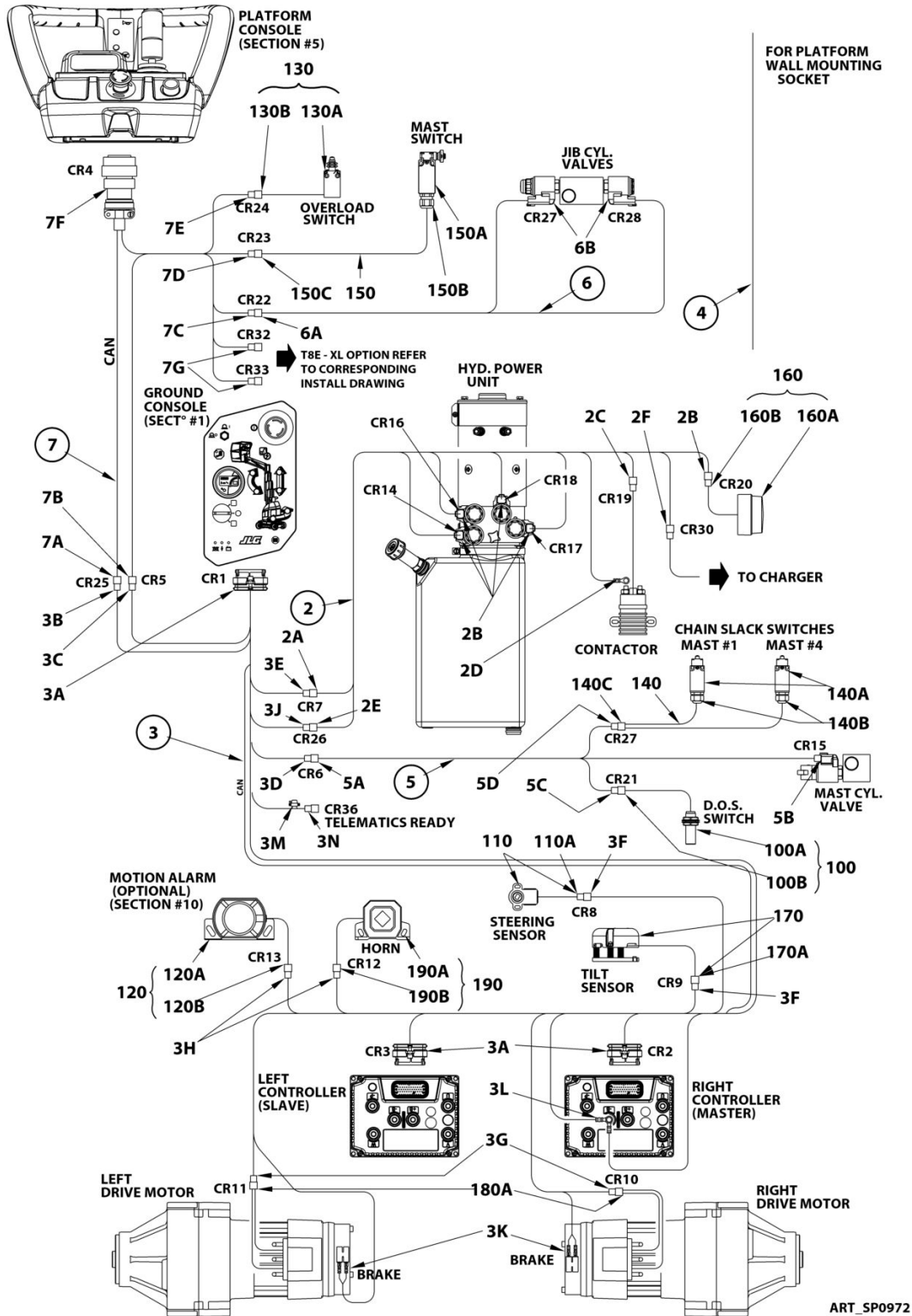
ITEM	PART NUMBER	QTY	DESCRIPTION	REV
	1001222936	1	VALVE ASSY,JIB CYLINDER / ASSEMBLAGE DISTRIBUTEUR VERIN BRAS (SN A300058301 to Present)	A
1	1001225133	1	DIRECTIONAL VALVE 2/2 NC / VALVE DIRECTIONNELLE 2/2 NC	
2	1001225159	1	DIRECTIONAL VALVE 2/2 NC / VALVE DIRECTIONNELLE 2/2 NC	
3	1001225157	1	SCREW SRH G3/8 / VIS SRH G3/8	
4	952099	2	COIL, 24VDC_3012599 / BOBINE 24VDC_3012599	
5	300061	1	90° ELBOW MALE BSPP 3/8-MALE JIC 9/16 / COUDE 90° MALE BSPP3/8-MALE JIC9/16	
6	952107	2	BS RING_HN48-10-U 16x24.7x1.5 St/NBR / BAGUE BS HN48-10-U 16x24.7x1.5 St/NBR	

SECTION 8 - ELECTRICAL SYSTEM INSTALL / INSTALLATION ELECTRIQUE

**SECTION 8 - ELECTRICAL SYSTEM INSTALL / INSTALLATION
ELECTRIQUE**

SECTION 8 - ELECTRICAL SYSTEM INSTALL / INSTALLATION ELECTRIQUE

FIGURE 8-1. CABLES AND SWITCHES INSTALL DIAGRAM / DIAGRAMME D'INSTALLATION CABLES ET CAPTEURS



SECTION 8 - ELECTRICAL SYSTEM INSTALL / INSTALLATION ELECTRIQUE

FIGURE 8-1. CABLES AND SWITCHES INSTALL DIAGRAM / DIAGRAMME D'INSTALLATION CABLES ET CAPTEURS

ITEM	PART NUMBER	QTY	DESCRIPTION	REV
	1001211439	Ref	INSTALL,CABLES / INSTALLATION CABLES	
1	1001213727	Ref	KIT,POWER CABLES (SEE NEXT FIGURE) / KIT CABLES PUISSANCE (VOIR FIGURE SUIVANTE)	
2	1001213728	1	HARNESS,HYDRAULIC UNIT / FAISCEAU CENTRALE HYDRAULIQUE	
2A	4460931	1	CONNECTOR, DEUTSCH DT 8P RECEPTACLE / CONNECTEUR DEUTSCH DT 8P FEMELLE	
2A	4460464	8	CONTACT DEUTSCH DT PIN / CONTACT DEUTSCH DT MALE	
2B	4460891	5 x1	CONNECTOR, DEUTSCH DT 2P PLUG / CONNECTEUR DEUTSCH DT 2P MALE	
2B	4460465	5 x2	CONTACT DEUTSCH DT SOCKET / CONTACT DEUTSCH DT FEMELLE	
2C	4460897	1	CONNECTOR, DEUTSCH DT 2P RECEPTACLE / CONNECTEUR DEUTSCH DT 2P FEMELLE	
2C	4460464	2	CONTACT DEUTSCH DT PIN / CONTACT DEUTSCH DT MALE	
2D	250084	1	M8 EYELET TERMINAL 0.25-1mm ² / COSSE A OEIL ISOLEE M8 - 0.25-1mm ²	
2E	250026	1	RED RECEPTACLE TERM. 6.3 - 0.5-1.2mm ² / COSSE FEMELLE 6.3 ROUGE - 0.5-1.2mm ²	
2F	NOT SERVICEABLE	1	TERMINAL,INSULATE FASTON TAB 1/4- 0.5-1.2mm ² / COSSE MALE 1/4 ROUGE - 0.5-1.2mm ²	
3	1001213729	1	HARNESS,CHASSIS / FAISCEAU CHASSIS	
3A	4460873	3 x1	CONNECTOR, HOUSING AMP 35P / CONNECTEUR AMP 35P	
3A	4460871	3 x35	CONTACT AMPSEAL, SOCKET / CONTACT AMPSEAL, FEMELLE	
3B	4460539	1	CONNECTOR, DEUTSCH DT 3P PLUG / CONNECTEUR DEUTSCH DT 3P MALE	
3B	4460944	3	TERMINAL,16-18 GA SOCKET (GOLD) / CONTACT DUTSCH DT FEMMELLE (OR)	
3C	4460933	1	CONNECTOR, DEUTSCH DT 12P PLUG / CONNECTEUR DEUTSCH DT 12P MALE	
3C	4460465	12	CONTACT DEUTSCH DT SOCKET / CONTACT DEUTSCH DT FEMELLE	
3D	4460894	1	CONNECTOR, DEUTSCH DT 6P PLUG / CONNECTEUR DEUTSCH DT 6P MALE	
3D	4460465	6	CONTACT DEUTSCH DT SOCKET / CONTACT DEUTSCH DT FEMELLE	
3E	4460930	1	CONNECTOR, DEUTSCH DT 8P PLUG / CONNECTEUR DEUTSCH DT 8P MALE	
3E	4460465	8	CONTACT DEUTSCH DT SOCKET / CONTACT DEUTSCH DT FEMELLE	
3F	4460539	2 x1	CONNECTOR, DEUTSCH DT 3P PLUG / CONNECTEUR DEUTSCH DT 3P MALE	
3F	4460465	2 x3	CONTACT DEUTSCH DT SOCKET / CONTACT DEUTSCH DT FEMELLE	
3G	250227	2 x1	CONNECTOR, DEUTSCH DTM 6P PLUG / CONNECTEUR DEUTSCH DTM 6P MALE	
3G	4460928	2 x6	CONTACT DEUTSCH DTM, SOCKET / CONTACT DEUTSCH DTM FEMELLE	
3H	4460891	2 x1	CONNECTOR, DEUTSCH DT 2P PLUG / CONNECTEUR	

SECTION 8 - ELECTRICAL SYSTEM INSTALL / INSTALLATION ELECTRIQUE

ITEM	PART NUMBER	QTY	DESCRIPTION	REV
3H	4460465	2 x2	DEUTSCH DT 2P MALE CONTACT DEUTSCH DT SOCKET / CONTACT DEUTSCH DT FEMELLE	
3J	NOT SERVICEABLE	1	TERMINAL,INSULATE FASTON TAB 1/4- 0.5-1.2mm ² / COSSE MALE 1/4 ROUGE - 0.5-1.2mm ²	
3K	250060	4	RECEPTACLE TERMINAL 4.8 - 0.25-1mm ² / COSSE ISOLEE 4.8 mm 0.25-1 mm ²	
3L	250091	2	M6 EYELET TERMINAL 1-2.5mm ² / COSSE A OEIL ISOLEE M6 - 1-2.5mm ²	
3M	2400060	1	FUSE,HOLDER W/COVER / PORTE FUSIBLE	
3M	8229242	1	FUSE,5 A MINI / FUSIBLE 5A	
3N	4460884	1	PLUG,4-PIN CONNECTOR / CONNECTEUR 4 BROCHES	
3N	4460465	4	CONTACT DEUTSCH DT SOCKET / CONTACT DEUTSCH DT FEMELLE	
3N	1001192401	1	CONNECTOR,DUST CAP / PROTECTION CONNECTEUR	
4	270059	10.5 m	CABLE 3G2.5mm² Color leads (qty in meters) / CABLE 3G2.5mm² coloré (qté en mètre)	
5	PC0488	1	HARNESS, TURNTABLE / FAISCEAU MAT 1	
5A	4460899	1	CONNECTOR, DEUTSCH DT 6P RECEPTACLE / CONNECTEUR DEUTSCH DT 6P FEMELLE	
5A	4460464	5	CONTACT DEUTSCH DT PIN / CONTACT DEUTSCH DT MALE	
5B	4460891	1	CONNECTOR, DEUTSCH DT 2P PLUG / CONNECTEUR DEUTSCH DT 2P MALE	
5B	4460465	2	CONTACT DEUTSCH DT SOCKET / CONTACT DEUTSCH DT FEMELLE	
5C	4461077	1	CONNECTOR, DEUTSCH DTM 4P PLUG / CONNECTEUR DEUTSCH DTM 4P MALE	
5C	4460928	3	CONTACT DEUTSCH DTM, SOCKET / CONTACT DEUTSCH DTM FEMELLE	
5D	4460932	1	CONNECTOR, DEUTSCH DT 4P RECEPTACLE / CONNECTEUR DEUTSCH DT 4P FEMELLE	
5D	4460464	4	CONTACT DEUTSCH DT PIN / CONTACT DEUTSCH DT MALE	
6	PC0524	1	HARNESS, JIB VALVES / FAISCEAU ELECTROVANNE BRAS	
6A	4460536	1	CONNECTOR, DEUTSCH DT 3P RECEPTACLE / CONNECTEUR DEUTSCH DT 3P FEMELLE	
6A	4460464	3	CONTACT DEUTSCH DT PIN / CONTACT DEUTSCH DT MALE	
6B	4460891	2 x1	CONNECTOR, DEUTSCH DT 2P PLUG / CONNECTEUR DEUTSCH DT 2P MALE	
6B	4460465	2 x2	CONTACT DEUTSCH DT SOCKET / CONTACT DEUTSCH DT FEMELLE	
7	PC0604	1	HARNESS,UCB / FAISCEAU BOITIER HAUT	
7A	4460536	1	CONNECTOR, DEUTSCH DT 3P RECEPTACLE / CONNECTEUR DEUTSCH DT 3P FEMELLE	
7A	4460943	3	TERMINAL,16-18 GA PIN (GOLD) / CONTACT DEUTSCH DT MALE (OR)	
7B	4460970	1	CONNECTOR, DEUTSCH DT 12P RECEPTACLE / CONNECTEUR DEUTSCH DT 12P FEMELLE	
7B	4460464	12	CONTACT DEUTSCH DT PIN / CONTACT DEUTSCH DT MALE	
7C	4460539	1	CONNECTOR, DEUTSCH DT 3P PLUG / CONNECTEUR DEUTSCH DT 3P MALE	
7C	4460465	3	CONTACT DEUTSCH DT SOCKET / CONTACT DEUTSCH DT FEMELLE	
7D	4460899	1	CONNECTOR, DEUTSCH DT 6P RECEPTACLE / CONNECTEUR	

SECTION 8 - ELECTRICAL SYSTEM INSTALL / INSTALLATION ELECTRIQUE

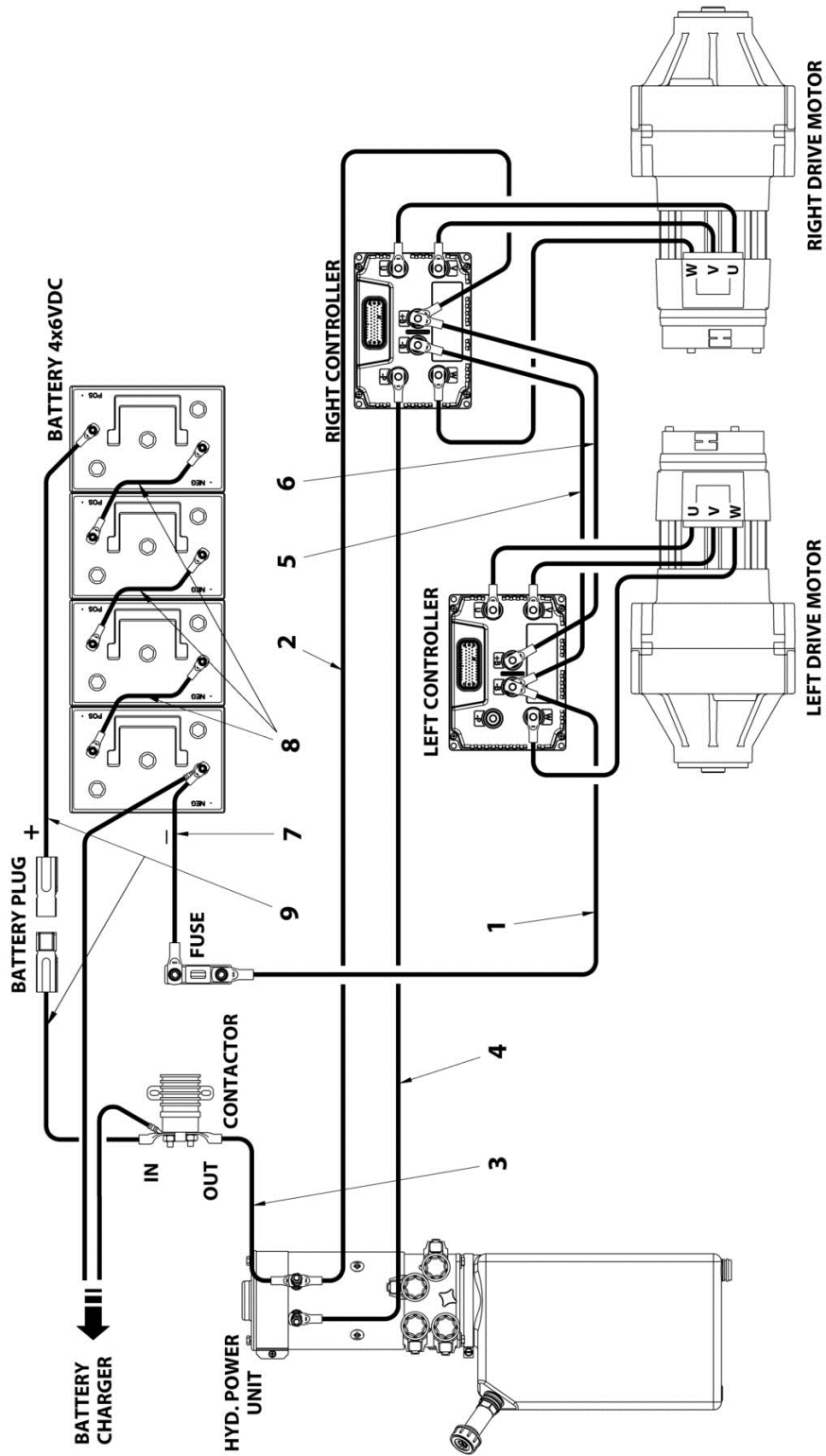
ITEM	PART NUMBER	QTY	DESCRIPTION	REV
7D	4460464	6	DEUTSCH DT 6P FEMELLE	
7E	4460932	1	CONTACT DEUTSCH DT PIN / CONTACT DEUTSCH DT MALE	
7E	4460464	4	CONNECTOR, DEUTSCH DT 4P RECEPTACLE / CONNECTEUR DEUTSCH DT 4P FEMELLE	
7F	4460754	1	CONTACT DEUTSCH DT PIN / CONTACT DEUTSCH DT MALE	
7F	4460754	1	CONNECTOR, DEUTSCH HD 14P PLUG / CONNECTEUR DEUTSCH HD 14P MALE	
7F	4460465	12	CONTACT DEUTSCH DT SOCKET / CONTACT DEUTSCH DT FEMELLE	
7F	4460944	2	TERMINAL, 16-18 GA SOCKET (GOLD) / CONTACT DEUTSCH DT FEMELLE (OR)	
7G	4460536	2	CONNECTOR, DEUTSCH DT 3P RECEPTACLE / CONNECTEUR DEUTSCH DT 3P FEMELLE	
7G	4460464	6	CONTACT DEUTSCH DT PIN / CONTACT DEUTSCH DT MALE	
100	4000008	1	PROXIMITY SENSOR ASSEMBLY / FAISCEAU DETECTEUR DE PROXIMITE	
100A	4000007	1	SENSOR, PROXIMITY / DETECTEUR DE PROXIMITE	
100B	4461076	1	CONNECTOR, DEUTSCH DTM 4P RECEPTACLE / CONNECTEUR DEUTSCH DTM 4P FEMELLE	
100B	4460917	4	CONTACT DEUTSCH DTM, GOLD PIN / CONTACT DEUTSCH DTM MALE DORE	
110	4360505	1	ROTARY ANGLE SENSOR / CAPTEUR D'ANGLE	
110A	4460536	1	CONNECTOR, DEUTSCH DT 3P RECEPTACLE / CONNECTEUR DEUTSCH DT 3P FEMELLE	
110A	4460464	3	CONTACT DEUTSCH DT PIN / CONTACT DEUTSCH DT MALE	
120	PC0466	1	HARNESS, MOTION ALARM / FAISCEAU ALARME DE MOUVEMENT	
120A	260275	1	ACCOUSTIC MOTION ALARM / ALARME DE MOUVEMENT SONORE	
120B	4460897	1	CONNECTOR, DEUTSCH DT 2P RECEPTACLE / CONNECTEUR DEUTSCH DT 2P FEMELLE	
120B	4460464	2	CONTACT DEUTSCH DT PIN / CONTACT DEUTSCH DT MALE	
130	PC0468	1	HARNESS, LOAD SENSING SWITCH / FAISCEAU CAPTEUR DE SURCHARGE	
130A	260321	1	LIMIT SWITCH, SNAP ACTION / DETECTEUR DE POSITION A POUSSOIR	
130B	4460884	1	CONNECTOR, DEUTSCH DT 4P PLUG / CONNECTEUR DEUTSCH DT 4P MALE	
130B	4460465	4	CONTACT DEUTSCH DT SOCKET / CONTACT DEUTSCH DT FEMELLE	
140	PC0526	1	HARNESS, CHAIN SLACK SWITCHES / FAISCEAU CAPTEURS MOU DE CHAINE	
140A	260327	2	SWITCH NO NC / CAPTEUR NO NF	
140B	210018	2	GLAND N°11 / PRESSE ETOUPE N°11	
140C	4460884	1	CONNECTOR, DEUTSCH DT 4P PLUG / CONNECTEUR DEUTSCH DT 4P MALE	
140C	4460465	4	CONTACT DEUTSCH DT SOCKET / CONTACT DEUTSCH DT FEMELLE	
150	PC0527	1	HARNESS, MAST LIMIT SWITCH / FAISCEAU CAPTEUR DE MAT	

SECTION 8 - ELECTRICAL SYSTEM INSTALL / INSTALLATION ELECTRIQUE

ITEM	PART NUMBER	QTY	DESCRIPTION	REV
150A	260323	1	NO/NC SWITCH / CAPTEUR NO/NF	
150B	210018	1	GLAND N°11 / PRESSE ETOUPE N°11	
150C	4460894	1	CONNECTOR, DEUTSCH DT 6P PLUG / CONNECTEUR DEUTSCH DT 6P MALE	
150C	4460465	5	CONTACT DEUTSCH DT SOCKET / CONTACT DEUTSCH DT FEMELLE	
160	PC0534	1	HARNESS, BEACON / FAISCEAU FEU A ECLATS	
160A	260329	1	FLASHING LIGHT / FEU A ECLATS	
160B	4460897	1	CONNECTOR, DEUTSCH DT 2P RECEPTACLE / CONNECTEUR DEUTSCH DT 2P FEMELLE	
160B	4460464	2	CONTACT DEUTSCH DT PIN / CONTACT DEUTSCH DT MALE	
170	1001213835	1	SENSOR,TILT 2.4° / DETECTEUR DE DEVERS 2.4°	
170A	4460536	1	CONNECTOR, DEUTSCH DT 3P RECEPTACLE / CONNECTEUR DEUTSCH DT 3P FEMELLE	
170A	4460464	3	CONTACT DEUTSCH DT PIN / CONTACT DEUTSCH DT MALE	
180	510086	2	DRIVE GEAR MOTOR / MOTOREDUCTEUR DE ROUE	
180A	250230	2 x1	CONNECTOR, DEUTSCH DTM 6P HOUSING / CONNECTEUR DEUTSCH DTM 6P FEMELLE	
180A	4460917	2 x6	CONTACT DEUTSCH DTM, GOLD PIN / CONTACT DEUTSCH DTM MALE DORE	
190	PC0491	1	HARNESS, HORN / FAISCEAU AVERTISSEUR SONORE	
190A	260274	1	HORN / KLAXON	
190B	4460897	1	CONNECTOR, DEUTSCH DT 2P RECEPTACLE / CONNECTEUR DEUTSCH DT 2P FEMELLE	
190B	4460464	2	CONTACT DEUTSCH DT PIN / CONTACT DEUTSCH DT MALE	

SECTION 8 - ELECTRICAL SYSTEM INSTALL / INSTALLATION ELECTRIQUE

FIGURE 8-2. KIT, POWER CABLES / KIT CABLES DE PUISSANCE



ART_1001213727

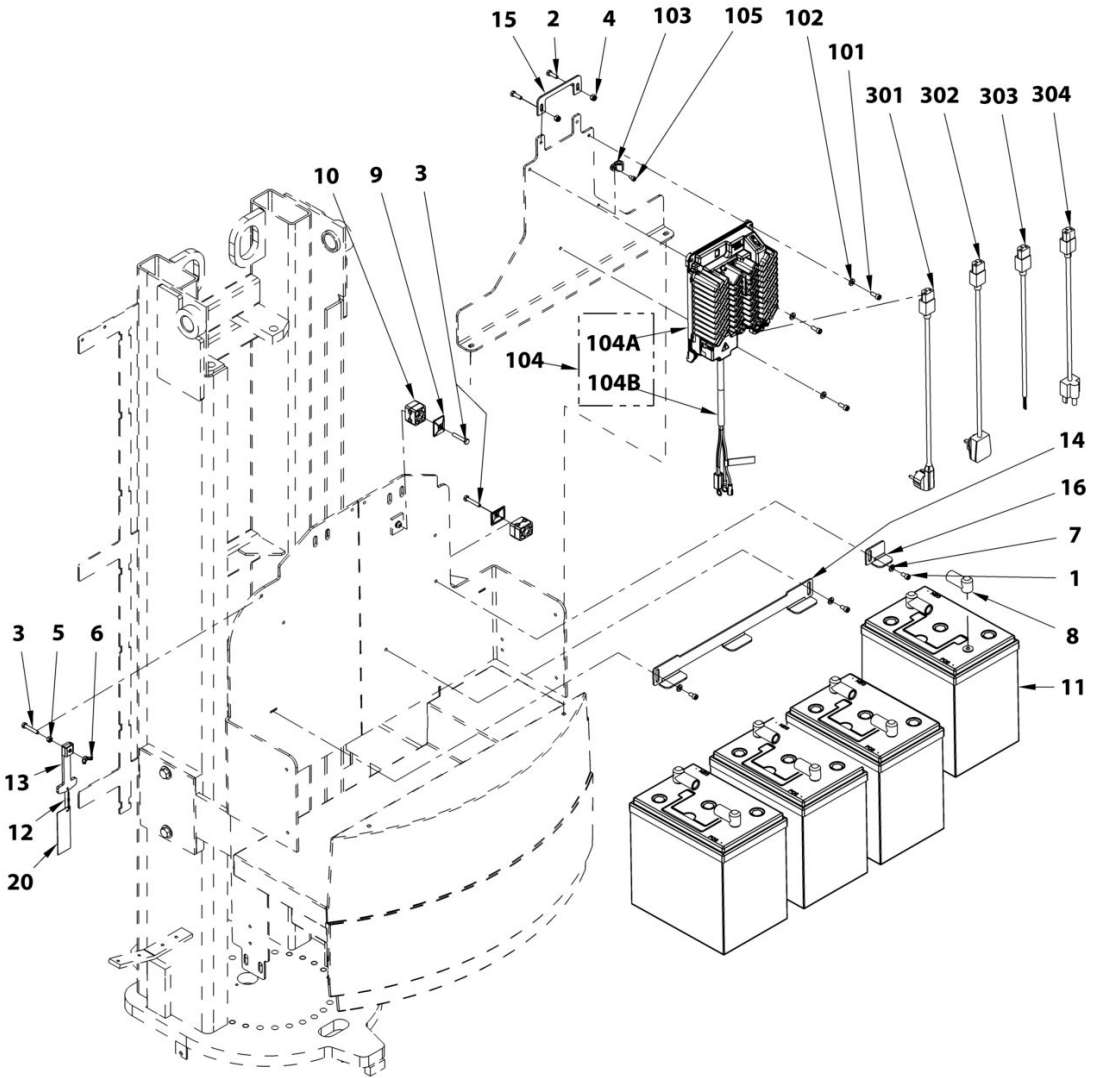
SECTION 8 - ELECTRICAL SYSTEM INSTALL / INSTALLATION ELECTRIQUE

FIGURE 8-2. KIT, POWER CABLES / KIT CABLES DE PUISSANCE

ITEM	PART NUMBER	QTY	DESCRIPTION	REV
	1001213727	Ref	KIT,POWER CABLES / KIT CABLES DE PUISSANCE	B
1	PC0514	1	CABLE,35MM ² ,4240mm BLUE / CABLE 35mm ² LONG 4240mm BLEU	
2	PC0515	1	CABLE,35MM ² ,4490mm RED / CABLE 35mm ² LONG 4490mm ROUGE	
3	PC0516	1	CABLE,35MM ² ,160mm RED / CABLE 35mm ² LONG 160mm ROUGE	
4	PC0517	1	CABLE,35MM ² ,4240mm BLACK / CABLE 35mm ² LONG 4240mm NOIR	
5	PC0483	1	CABLE 35mm ² LENGHT 590mm BLUE / CABLE 35mm ² LONG 590mm BLEU	
6	PC0484	1	CABLE 35mm ² LENGHT 590mm RED / CABLE 35mm ² LONG 590mm ROUGE	
7	PC0518	1	CABLE,35MM ² ,490mm BLUE / CABLE 35mm ² LONG 490mm BLEU	
8	PC0550	3	CABLE 35mm ² LENGTH 360mm BLACK / CABLE 35mm ² LONG 360mm NOIR	
9	PC0520	2	CABLE 35mm ² LENGTH 500mm RED / CABLE 35mm ² LONG 500mm ROUGE	

SECTION 8 - ELECTRICAL SYSTEM INSTALL / INSTALLATION ELECTRIQUE

FIGURE 8-3. BATTERY AND CHARGER W/O CW INSTALL / INSTALLATION BATTERIES ET CHARGEUR SANS CP



ART_SP0973

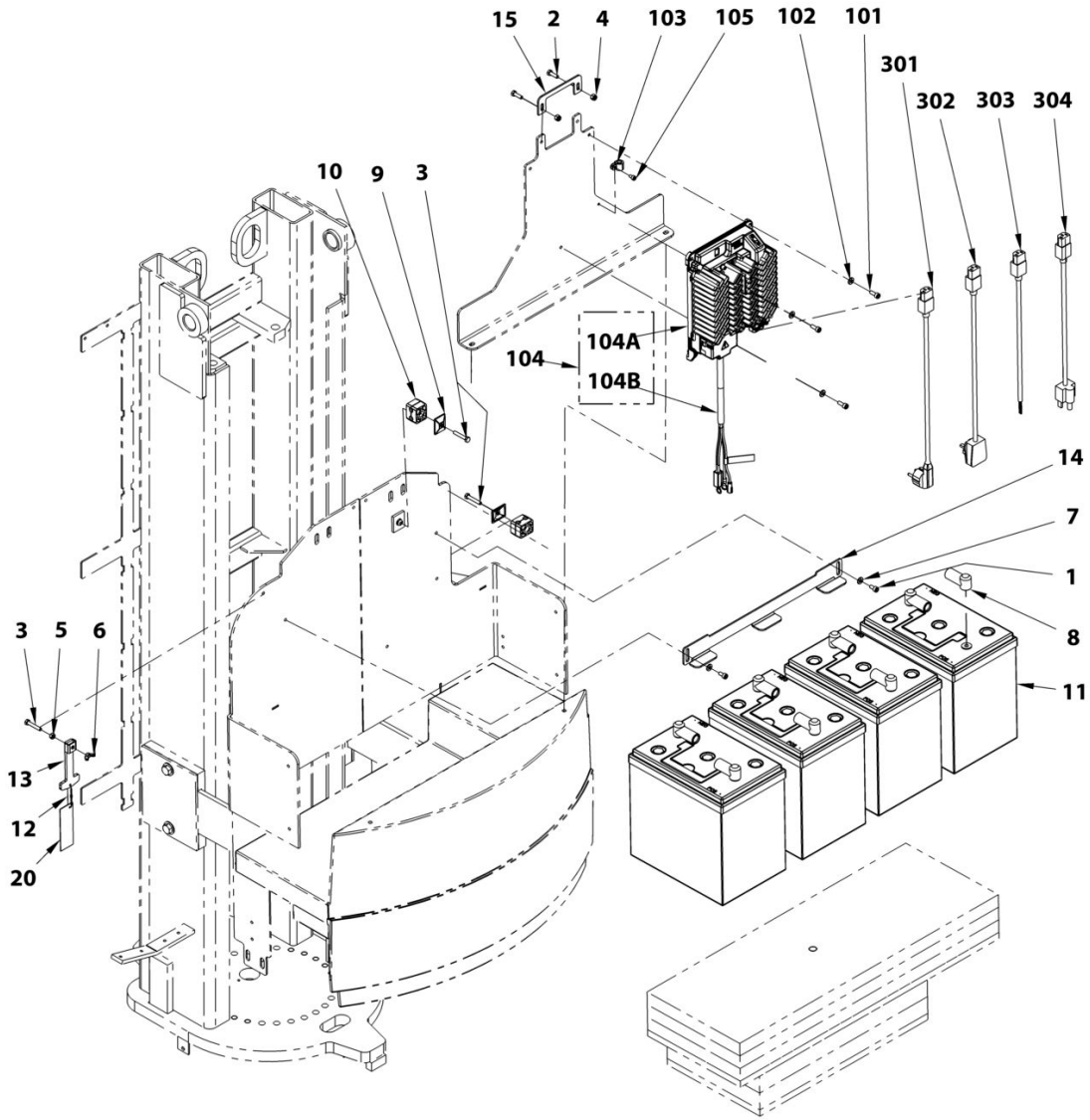
SECTION 8 - ELECTRICAL SYSTEM INSTALL / INSTALLATION ELECTRIQUE

FIGURE 8-3. BATTERY AND CHARGER W/O CW INSTALL / INSTALLATION BATTERIES ET CHARGEUR SANS CP

ITEM	PART NUMBER	QTY	DESCRIPTION	REV
	1001223766	Ref	AGM BATTERIES W/O CW INSTALL / INSTALLATION BATTERIES AGM SANS CP	A
1	000014	3	M06x12 8.8 SOCKET HEAD MACH SCREW / VIS CHC M06x12 8.8 BI FT	
2	100005	2	M06x20 8.8 HEX HEAD MACHINE SCREW / VIS H M06x20 8.8 BI FT	
3	100051	3	M06x35 8.8 HEX HEAD MACHINE SCREW / VIS H M06x35 8.8 BI FT	
4	110003	2	M06 GR. 8.8 LOCK NUT / ECROU FREIN M6 CL08 BI	
5	110015	1	M06 GR. 8.8 HEX NUT / ECROU H M06 CL08 BI	
6	110042	1	WING NUT, M6 / ECROU A OREILLE M6	
7	120009	3	LOCK WASHER D06x14 / RONDELLE CONTACT dD 06x14 BI	
8	250031	8	BOOT,BATTERY TERMINAL / CAPUCHON D'ETANCHEITE	
9	400012	2	PAIR 1/2 SHELL PLATE / PLAQUE DE SERRAGE	
10	400037	2	CLAMP,TWIN 10-10 PP,BLK / COLLIER DOUBLE D10	
11	1001213000	4	BATTERY,EVGC6A-A / BATTERIE,EVGC6A-A	
12	190077	1	CHAIN,METAL BALL / CHAINE A BILLES METAL	
13	DL0911	1	LEVER,BREAKDOWN CONTROLS / LEVIER DE CONTROLE SECOURS	
14	ST3433	1	SHIELD,BATTERY STOP / BRIDE DE BATTERIE	
15	ST3434	1	PLATE,HOOD LATCH / PLAQUE VERROUILLAGE CAPOT	
16	ST3753	1	SHIELD,BATTERY STOP / BRIDE DE BATTERIE	
20	AU2215	1	DECAL,SLACK CHAIN DETECTION / AUTOCOLLANT MOU DE CHAINE	
	1001211440	Ref	INSTALL,CHARGER / INSTALLATION CHARGEUR	B
101	000015	3	M06x16 8.8 SOCKET HEAD MACH SCREW / VIS CHC M06x16 8.8 BI FT	
102	120009	3	LOCK WASHER D06x14 / RONDELLE CONTACT dD 06x14 BI	
103	400034	1	CLAMP,D9 / COLLIER	
104	1001213986	1	CHARGER,WITH HARNESS / CHARGEUR AVEC FAISCEAU	
104A	1001213033	1	CHARGER W/O HARNESS / CHARGEUR SANS FAISCEAU	
104B	1001213985	1	HARNESS,CHARGER / FAISCEAU CHARGEUR	
105	000089	1	M05x08 8.8 SOCKET HEAD MACH SCREW / VIS CHC M05x08 8.8 BI FT	
		Ref	CHARGEUR EXTENSION / PRISE CHARGEUR	
301	250211	1	CABLE IEC22 / PLUG CEE7 2m 10A / CORDON IEC22 / FICHE CEE7 2m 10A	
302	250213	1	CABLE IEC22 / PLUG BS1362 2m 10A / CORDON IEC22 / FICHE BS1362 2m 10A	
303	1060689	1	CABLE AC CORD, W/O PLUG, L=2m / CABLE CA CHARGEUR, SANS PRISE, L=2m	
304	1060688	1	CABLE AC CORD, US PLUG, L=2m / CABLE AC CHARGEUR, US, L=2m	

SECTION 8 - ELECTRICAL SYSTEM INSTALL / INSTALLATION ELECTRIQUE

FIGURE 8-4. BATTERY AND CHARGER WITH CW INSTALL / INSTALLATION BATTERIES ET CHARGEUR AVEC CP



ART_SP0973CW

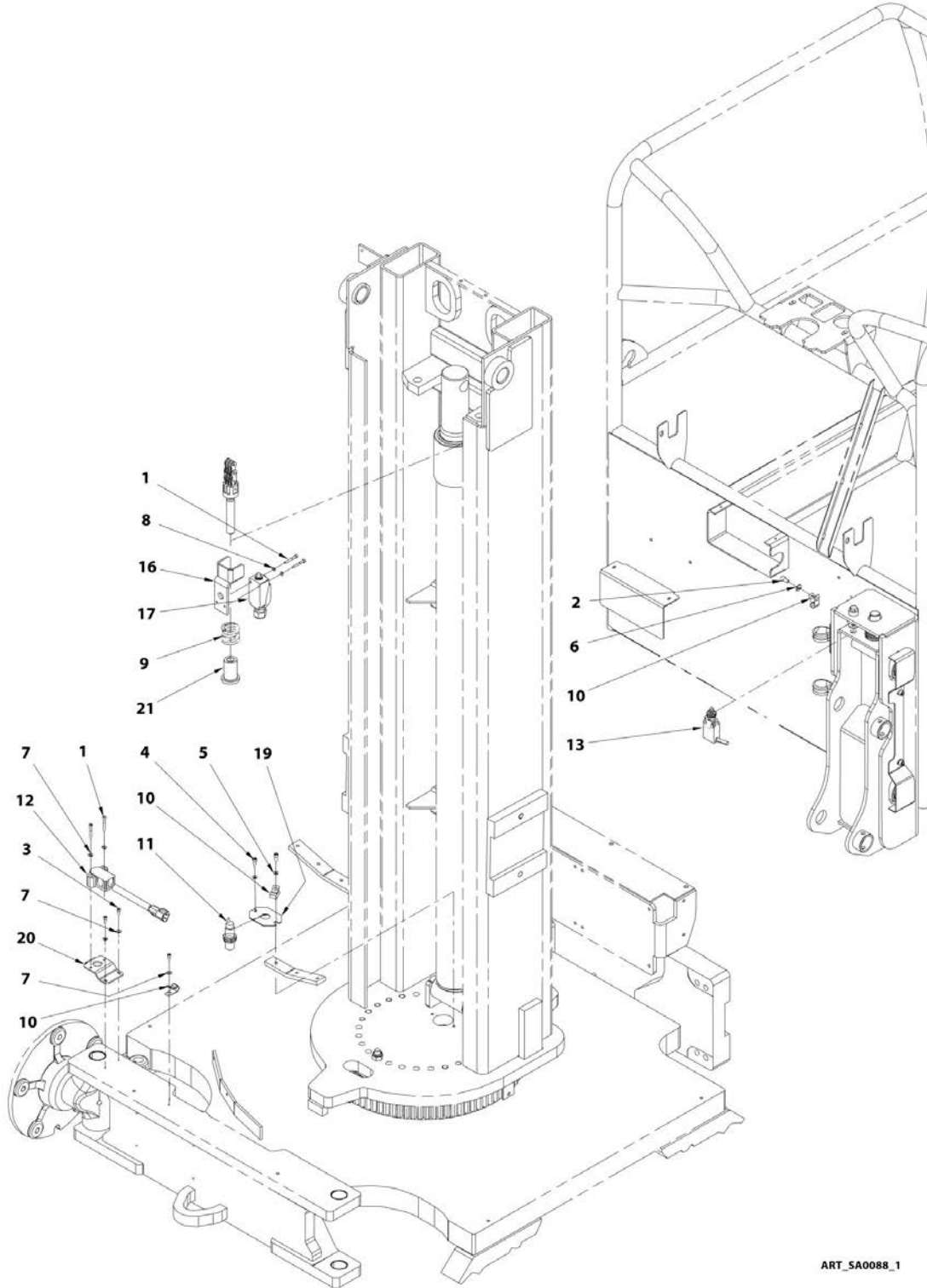
SECTION 8 - ELECTRICAL SYSTEM INSTALL / INSTALLATION ELECTRIQUE

FIGURE 8-4. BATTERY AND CHARGER WITH CW INSTALL / INSTALLATION BATTERIES ET CHARGEUR AVEC CP

ITEM	PART NUMBER	QTY	DESCRIPTION	REV
	1001223767	Ref	INSTALL,AGM BATTERIES WITH CW / INSTALLATION BATTERIES AGM AVEC CP	A
1	000014	2	M06x12 8.8 SOCKET HEAD MACH SCREW / VIS CHC M06x12 8.8 BI FT	
2	100005	2	M06x20 8.8 HEX HEAD MACHINE SCREW / VIS H M06x20 8.8 BI FT	
3	100051	3	M06x35 8.8 HEX HEAD MACHINE SCREW / VIS H M06x35 8.8 BI FT	
4	110003	2	M06 GR. 8.8 LOCK NUT / ECROU FREIN M6 CL08 BI	
5	110015	1	M06 GR. 8.8 HEX NUT / ECROU H M06 CL08 BI	
6	110042	1	WING NUT, M6 / ECROU A OREILLE M6	
7	120009	2	LOCK WASHER D06x14 / RONDELLE CONTACT dD 06x14 BI	
8	250031	8	BOOT,BATTERY TERMINAL / CAPUCHON D'ETANCHEITE	
9	400012	2	PAIR 1/2 SHELL PLATE / PLAQUE DE SERRAGE	
10	400037	2	CLAMP,TWIN 10-10 PP,BLK / COLLIER DOUBLE D10	
11	1001213000	4	BATTERY,EVGC6A-A / BATTERIE,EVGC6A-A	
12	190077	1	CHAIN,METAL BALL / CHAINE A BILLES METAL	
13	DL0911	1	LEVER,BREAKDOWN CONTROLS / LEVIER DE CONTROLE SECOURS	
14	ST3433	1	SHIELD,BATTERY STOP / BRIDE DE BATTERIE	
15	ST3434	1	PLATE,HOOD LATCH / PLAQUE VERROUILLAGE CAPOT	
20	AU2215	1	DECAL,SLACK CHAIN DETECTION / AUTOCOLLANT MOU DE CHAINE	
	1001211440	Ref	INSTALL,CHARGER / INSTALLATION CHARGEUR	B
101	000015	3	M06x16 8.8 SOCKET HEAD MACH SCREW / VIS CHC M06x16 8.8 BI FT	
102	120009	3	LOCK WASHER D06x14 / RONDELLE CONTACT dD 06x14 BI	
103	400034	1	CLAMP,D9 / COLLIER	
104	1001213986	1	CHARGER,WITH HARNESS / CHARGEUR AVEC FAISCEAU	
104A	1001213033	1	CHARGER W/O HARNESS / CHARGEUR SANS FAISCEAU	
104B	1001213985	1	HARNESS,CHARGER / FAISCEAU CHARGEUR	
105	000089	1	M05x08 8.8 SOCKET HEAD MACH SCREW / VIS CHC M05x08 8.8 BI FT	
		Ref	CHARGEUR EXTENSION / PRISE CHARGEUR	
301	250211	1	CABLE IEC22 / PLUG CEE7 2m 10A / CORDON IEC22 / FICHE CEE7 2m 10A	
302	250213	1	CABLE IEC22 / PLUG BS1362 2m 10A / CORDON IEC22 / FICHE BS1362 2m 10A	
303	1060689	1	CABLE AC CORD, W/O PLUG, L=2m / CABLE CA CHARGEUR, SANS PRISE, L=2m	
304	1060688	1	CABLE AC CORD, US PLUG, L=2m / CABLE AC CHARGEUR, US, L=2m	

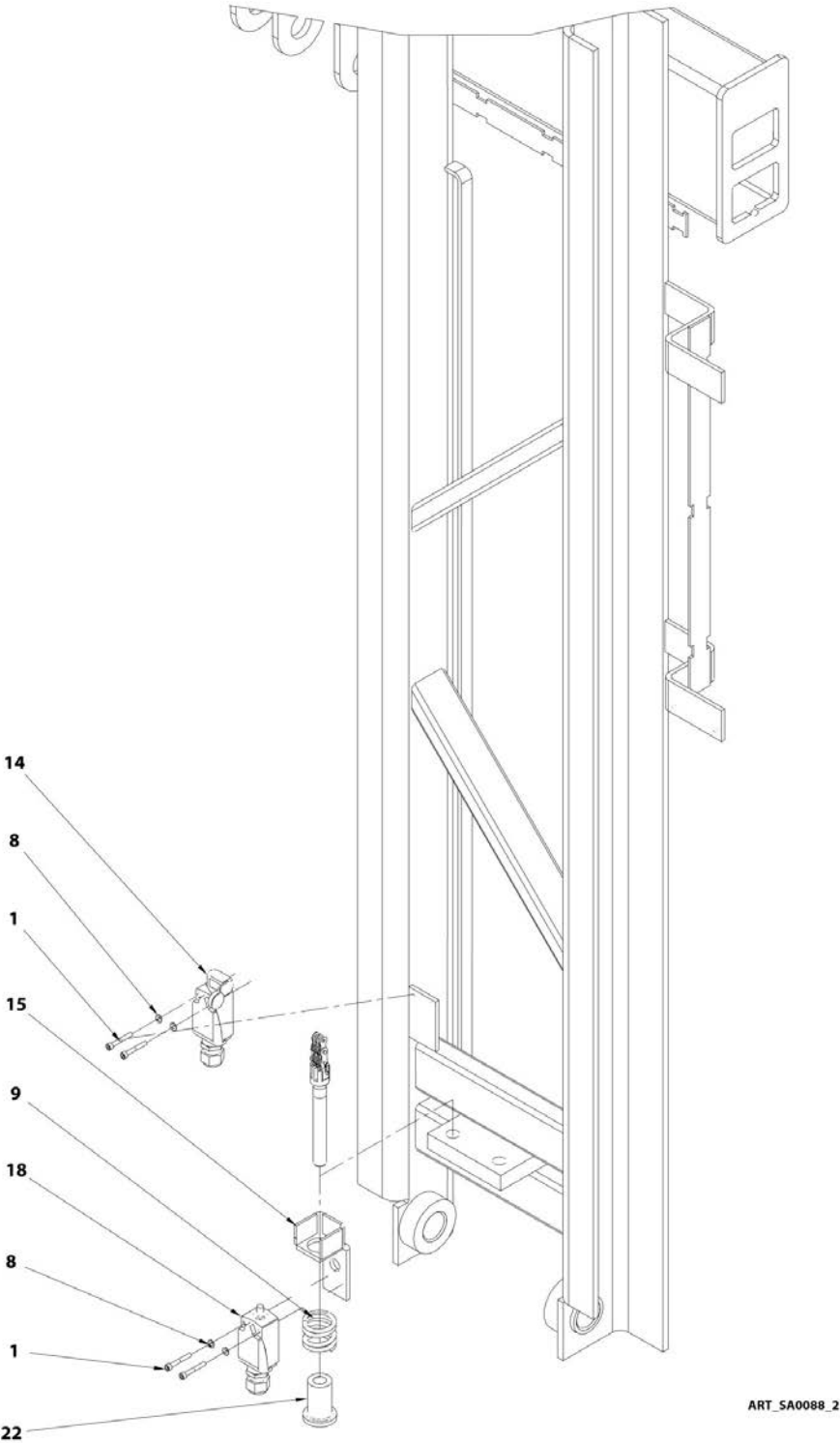
SECTION 8 - ELECTRICAL SYSTEM INSTALL / INSTALLATION ELECTRIQUE

FIGURE 8-5. SWITCHES AND COVERS INSTALL / INSTALLATION CAPTEURS



ART_SA0088_1

SECTION 8 - ELECTRICAL SYSTEM INSTALL / INSTALLATION ELECTRIQUE



SECTION 8 - ELECTRICAL SYSTEM INSTALL / INSTALLATION ELECTRIQUE

FIGURE 8-5. SWITCHES AND COVERS INSTALL / INSTALLATION CAPTEURS

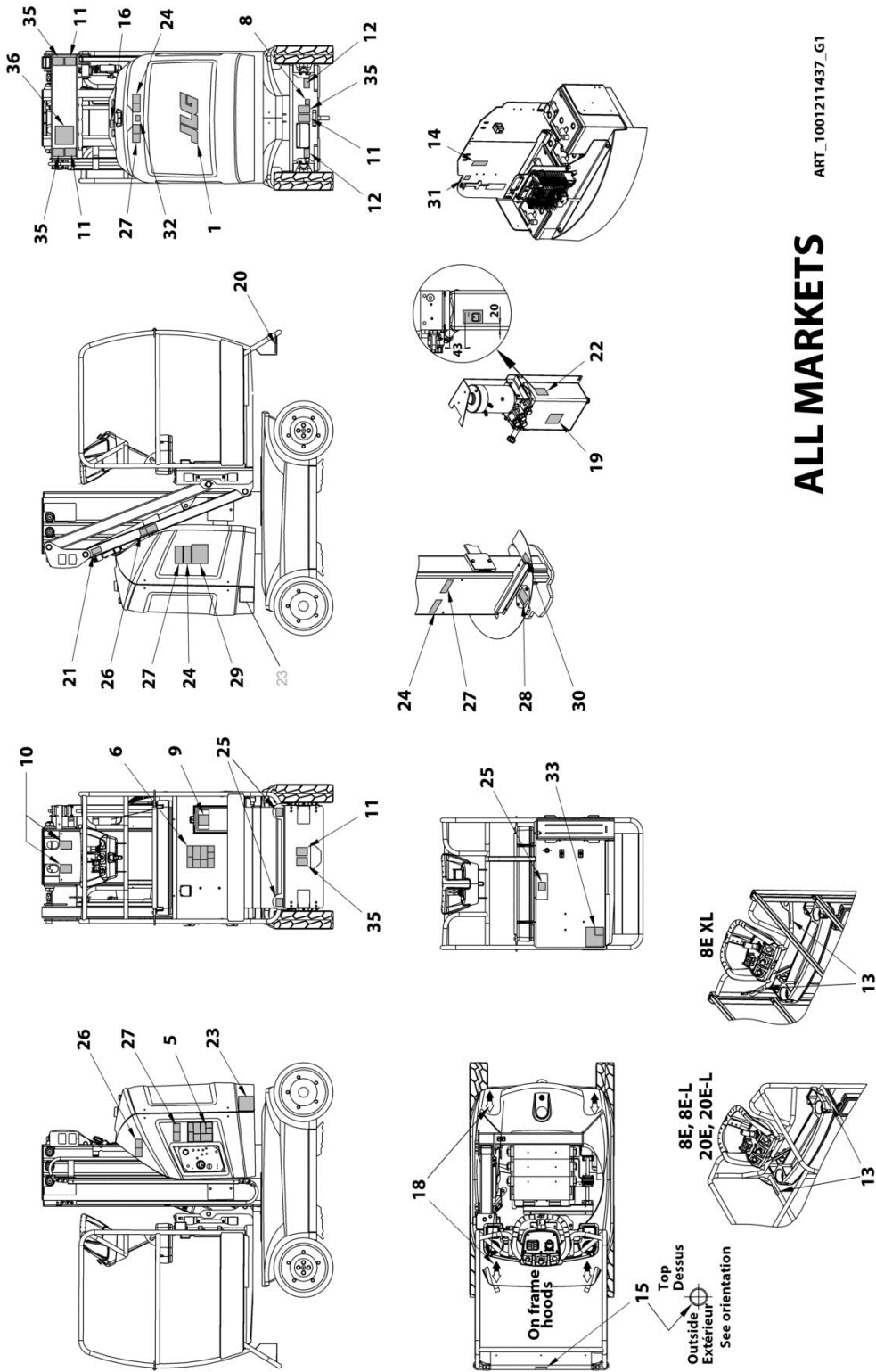
ITEM	PART NUMBER	QTY	DESCRIPTION	REV
	SA0088	Ref	8E - SWITCHES AND COVERS INSTALL / 8E - INSTALLATION CAPTEURS	A
1	000007	8	M04x30 8.8 SOCKET HEAD CAPSCREW / VIS CHC M04x30 8.8 BI FP	
2	000014	1	M06x12 8.8 SOCKET HEAD MACH SCREW / VIS CHC M06x12 8.8 BI FT	
3	000050	3	M04x10 8.8 SOCKET HEAD MACH SCREW / VIS CHC M04x10 8.8 BI FT	
4	000067	2	M05x12 8.8 SOCKET HEAD MACH SCREW / VIS CHC M05x12 8.8 BI FT	
5	120002	2	M05 WASHER / RONDELLE M05 BI	
6	120009	1	dD 06x14 LOCK WASHER / RONDELLE CONTACT dD 06x14 BI	
7	120024	5	M4 LOCK WASHER / RONDELLE CONTACT M4 BI	
8	120056	6	dD 04x08 LOCK WASHER / RONDELLE CONTACT dD 04x08 BI	
9	160010	2	C 360 450 320 SPRING / RESSORT C 360 450 320	
10	1321293	3	CLAMP, INSULATED BAND / COLLIER ISOLE	
11	4000008	1	PROXIMITY SENSOR ASSEMBLY / FAISCEAU DETECTEUR DE PROXIMITE	
12	4360505	1	ROTARY ANGLE SENSOR / CAPTEUR D'ANGLE	
13	PC0468	1	HARNESS, LOAD SENSING SWITCH / FAISCEAU CAPTEUR DE SURCHARGE	
14	PC0527	1	HARNESS, MAST LIMIT SWITCHE / FAISCEAU CAPTEUR DE MAT	
15	SD0345	1	SWITCH HOLDER / SUPPORT CAPTEUR	
16	SD0464	1	SWITCH HOLDER / SUPPORT CAPTEUR	
17	SE1137	1	HARNESS, CHAIN SLACK SW MAST 1; INFO - PC0526 / FAISCEAU CAPTEURS MOU DE CHAINE MAT 1; INFO - PC0526	
18	SE1138	1	HARNESS, CHAIN SLACK SW MAST 4; INFO - PC0526 / FAISCEAU CAPTEURS MOU DE CHAINE MAT 4; INFO - PC0526	
19	ST3226	1	D.O.S. SWITCH MOUNT / PLATINE CAPTEUR D'ORIENTATION	
20	ST3227	1	ROTARY SWITCH MOUNT / PLATINE CAPTEUR ROTATIF	
21	US0204	1	ACTUATOR M16 / ACTIONNEUR M16	
22	US0208	1	ACTUATOR M14 / ACTIONNEUR M14	

SECTION 9 - DECALS INSTALL / INSTALLATION AUTOCOLLANTS

SECTION 9 - DECALS INSTALL / INSTALLATION AUTOCOLLANTS

SECTION 9 - DECALS INSTALL / INSTALLATION AUTOCOLLANTS

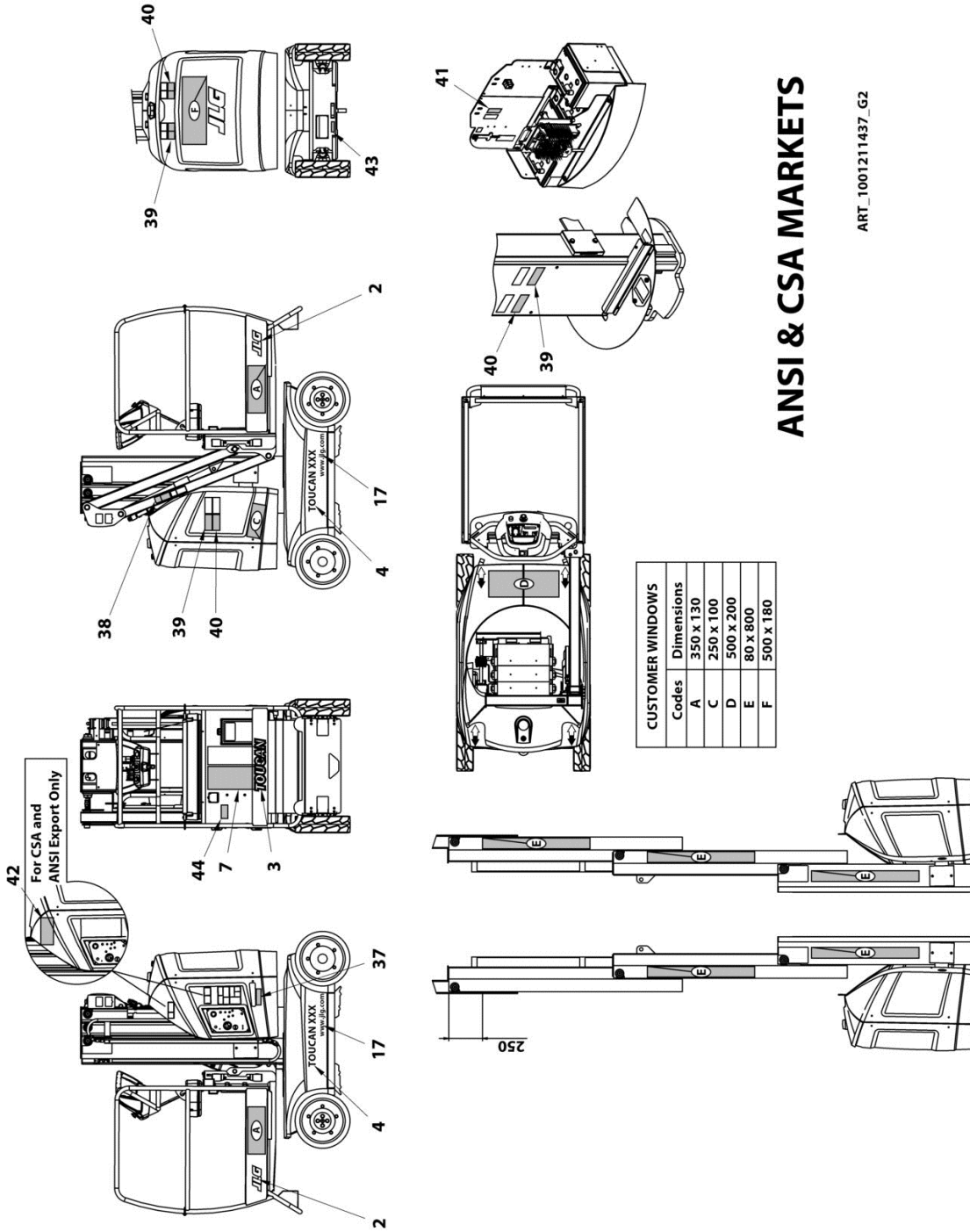
FIGURE 9-1. DECALS INSTALL ALL PRODUCTS / INSTALLATION AUTOCOLLANTS TOUT PRODUIT



ALL MARKETS

ART_1001211437_G1

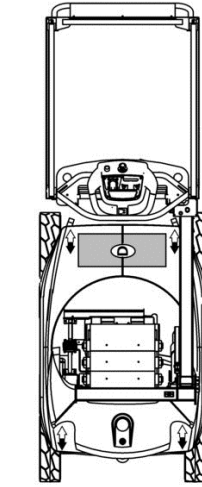
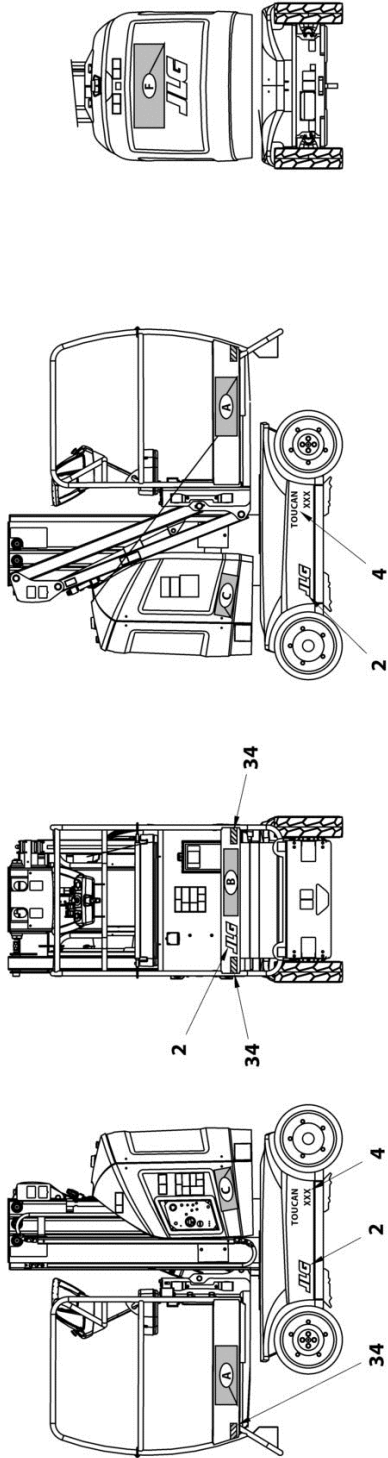
SECTION 9 - DECALS INSTALL / INSTALLATION AUTOCOLLANTS



ANSI & CSA MARKETS

ART_1001211437_G2

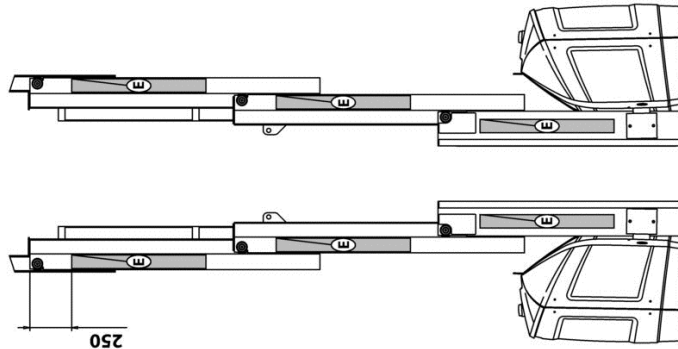
SECTION 9 - DECALS INSTALL / INSTALLATION AUTOCOLLANTS



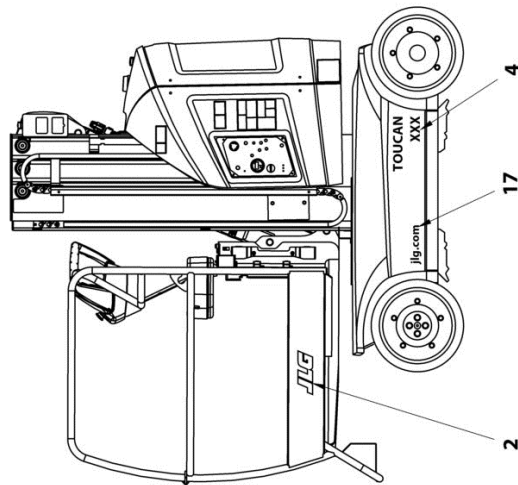
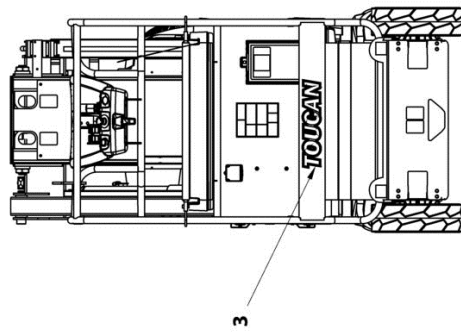
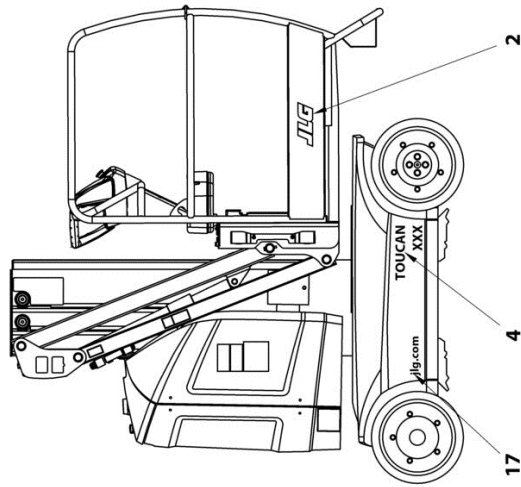
CUSTOMER WINDOWS	
Codes	Dimensions
A	350 x 130
B	400 x 80
C	250 x 100
D	500 x 200
E	80 x 800
F	500 x 180

CE MARKET

ART_1001211437_G3



SECTION 9 - DECALS INSTALL / INSTALLATION AUTOCOLLANTS



AS & NZL MARKETS

ART_1001211437_G4

SECTION 9 - DECALS INSTALL / INSTALLATION AUTOCOLLANTS

FIGURE 9-1. DECALS INSTALL / INSTALLATION AUTOCOLLANTS

ITEM	PART NUMBER	QTY	DESCRIPTION	REV
	1001211437		DECALS INSTALL;INFO: 1001211437 / INSTALLATION AUTOCOLLANTS;INFO: 1001211437	H
1	PA1113 1702773	Ref 1	INSTALL, DECAL JLG LOGOS / INSTALLATION LOGOS JLG BIG JLG DECAL ON BASKET / AUTOCOLLANT, JLG GRANDE TAILLE PANIER	
2	1705781	2	DECAL, JLG 2.75" / AUTOCOLLANT, JLG	
3	AU1825	1	DECAL, FRONT BASKET TOUCAN / AUTOCOLLANT, LOGO TOUCAN AVANT PANIER	
4	1001220458	2	DECAL,TOUCAN 8E LOGO / AUTOCOLLANT, LOGO TOUCAN 8E	
4	1001220459	2	DECAL TOUCAN 8E-L LOGO / AUTOCOLLANT, LOGO TOUCAN 8E-L	
4	1001220460	2	DECAL TOUCAN 8E XL LOGO / AUTOCOLLANT, LOGO TOUCAN 8E XL	
4	AU2139	2	DECAL,TOUCAN 20E LOGO / AUTOCOLLANT, LOGO TOUCAN 20E	
4	1001224065	2	DECAL TOUCAN 20E-L LOGO / AUTOCOLLANT, LOGO TOUCAN 20E-L	
5	1001211443 AU2102	Ref 1	8E - DECALS LOADS / 8E - AUTOCOLLANTS CHARGES 8E - DECAL,LOADS AND INSTRUCTION / 8E - AUTOCOLLANT, CHARGES ET CONSIGNES	B
6	AU2109	1	8E - DECAL,INSTRUCTIONS AND LOADS / 8E - AUTOCOLLANT, CHARGES ET CONSIGNES	
8	1001214313	1	8E - DECAL,WHEEL LOAD / 8E - AUTOCOLLANT, CHARGE SUR ROUE	
5	1001211444 1001214284	Ref 1	8E-L - DECALS LOADS / 8E-L - AUTOCOLLANTS CHARGES 8E-L - DECAL,LOADS AND INSTRUCTION / 8E-L - AUTOCOLLANT, CHARGES ET CONSIGNES	C
6	1001214285	1	8E-L - DECAL,INSTRUCTIONS AND LOADS / 8E-L - AUTOCOLLANT, CHARGES ET CONSIGNES	
8	1001214314	1	8E-L - DECAL,WHEEL LOAD / 8E-L - AUTOCOLLANT, CHARGE SUR ROUE	
5	1001213957 1001214284	Ref 1	8E XL - DECALS LOADS / 8E XL - AUTOCOLLANTS CHARGES 8E XL - DECAL,INSTRUCTIONS AND LOADS / 8E XL - AUTOCOLLANT, CHARGES ET CONSIGNES	B
6	1001214285	1	8E XL - DECAL,INSTRUCTIONS AND LOADS / 8E XL - AUTOCOLLANT, CHARGES ET CONSIGNES	
8	1001214313	1	8E XL - DECAL,WHEEL LOAD / 8E XL - AUTOCOLLANT, CHARGE SUR ROUE	
5	1001228972 1001228600	Ref 1	8E (L-XL) - DECALS LOADS RUSSIA (EAC) / 8E (L-XL) - AUTOCOLLANTS CHARGES RUSSIE (EAC) 8E (L-XL) - DECAL,LOADS AND INSTRUCTION / 8E (L-XL) - AUTOCOLLANT, CHARGES ET CONSIGNES	A
6	1001228601	1	8E (L-XL) - DECAL,INSTRUCTIONS AND LOADS / 8E (L-XL) - AUTOCOLLANT, CHARGES ET CONSIGNES	
8	1001214313	1	8E XL - DECAL,WHEEL LOAD / 8E XL - AUTOCOLLANT, CHARGE SUR ROUE	
	1001223769	Ref	20E - (ENG) DECALS LOADS / 20E - (ENG) AUTOCOLLANTS	A

SECTION 9 - DECALS INSTALL / INSTALLATION AUTOCOLLANTS

ITEM	PART NUMBER	QTY	DESCRIPTION	REV
			CHARGES	
5	1001223845	1	20E - (ENG) DECAL,LOADS AND INSTRUCTION / 20E - (ENG) AUTOCOLLANT, CHARGES ET CONSIGNES	
6	1001223853	1	20E - (ENG) DECAL,INSTRUCTIONS AND LOADS / 20E - (ENG) AUTOCOLLANT, CHARGES ET CONSIGNES	
8	1001223861	1	20E - DECAL,WHEEL LOAD / 20E - AUTOCOLLANT, CHARGE SUR ROUE	
	1001223770	Ref	20E-L - (ENG) DECALS LOADS / 20E-L - (ENG) AUTOCOLLANTS CHARGES	A
5	1001223846	1	20E-L - (ENG) DECAL,LOADS AND INSTRUCTION / 20E - (ENG) AUTOCOLLANT, CHARGES ET CONSIGNES	
6	1001223854	1	20E-L - (ENG) DECAL,INSTRUCTIONS AND LOADS / 20E - (ENG) AUTOCOLLANT, CHARGES ET CONSIGNES	
8	1001223862	1	20E-L - DECAL,WHEEL LOAD / 20E-L - AUTOCOLLANT, CHARGE SUR ROUE	
	1001223771	Ref	20E - (SPA-POR) DECALS LOADS / 20E - (SPA-POR) AUTOCOLLANTS CHARGES	A
5	1001223847	1	20E - (SPA-POR) DECAL,LOADS AND INSTRUCTION / 20E - (SPA-POR) AUTOCOLLANT, CHARGES ET CONSIGNES	
6	1001223855	1	20E - (SPA) DECAL,INSTRUCTIONS AND LOADS / 20E - (SPA) AUTOCOLLANT, CHARGES ET CONSIGNES	
7	1001223857	1	20E - (POR) DECAL,INSTRUCTIONS AND LOADS / 20E - (POR) AUTOCOLLANT, CHARGES ET CONSIGNES	
8	1001223861	1	20E - DECAL,WHEEL LOAD / 20E - AUTOCOLLANT, CHARGE SUR ROUE	
	1001223772	Ref	20E-L - (SPA-POR) DECALS LOADS / 20E-L - (SPA-POR) AUTOCOLLANTS CHARGES	A
5	1001223848	1	20E-L - (SPA-POR) DECAL,LOADS AND INSTRUCTION / 20E-L - (SPA-POR) AUTOCOLLANT, CHARGES ET CONSIGNES	
6	1001223856	1	20E-L - (SPA) DECAL,INSTRUCTIONS AND LOADS / 20E-L - (SPA) AUTOCOLLANT, CHARGES ET CONSIGNES	
7	1001223858	1	20E-L - (POR) DECAL,INSTRUCTIONS AND LOADS / 20E-L - (POR) AUTOCOLLANT, CHARGES ET CONSIGNES	
8	1001223862	1	20E-L - DECAL,WHEEL LOAD / 20E-L - AUTOCOLLANT, CHARGE SUR ROUE	
	1001223773	Ref	20E - (ENG-SPA) DECALS LOADS / 20E - (ENG-SPA) AUTOCOLLANTS CHARGES	A
5	1001223849	1	20E - (ENG-SPA) DECAL,LOADS AND INSTRUCTION / 20E - (ENG-SPA) AUTOCOLLANT, CHARGES ET CONSIGNES	
6	1001223853	1	20E - (ENG) DECAL,INSTRUCTIONS AND LOADS / 20E - (ENG) AUTOCOLLANT, CHARGES ET CONSIGNES	
7	1001223855	1	20E - (SPA) DECAL,INSTRUCTIONS AND LOADS / 20E - (SPA) AUTOCOLLANT, CHARGES ET CONSIGNES	
8	1001223861	1	20E - DECAL,WHEEL LOAD / 20E - AUTOCOLLANT, CHARGE SUR ROUE	
	1001223774	Ref	20E-L - (ENG-SPA) DECALS LOADS / 20E-L - (ENG-SPA) AUTOCOLLANTS CHARGES	A
5	1001223850	1	20E-L - (ENG-SPA) DECAL,LOADS AND INSTRUCTION / 20E-L - (ENG-SPA) AUTOCOLLANT, CHARGES ET CONSIGNES	
6	1001223854	1	20E-L - (ENG) DECAL,INSTRUCTIONS AND LOADS / 20E-L - (ENG) AUTOCOLLANT, CHARGES ET CONSIGNES	
7	1001223856	1	20E-L - (SPA) DECAL,INSTRUCTIONS AND LOADS / 20E-L -	

SECTION 9 - DECALS INSTALL / INSTALLATION AUTOCOLLANTS

ITEM	PART NUMBER	QTY	DESCRIPTION	REV
8	1001223862	1	(SPA) AUTOCOLLANT, CHARGES ET CONSIGNES 20E-L - DECAL,WHEEL LOAD / 20E-L - AUTOCOLLANT, CHARGE SUR ROUE	
	1001223775	Ref	20E - (ENG-FRE) DECALS LOADS / 20E - (ENG-FRE) AUTOCOLLANTS CHARGES	A
5	1001223851	1	20E - (ENG-FRE) DECAL,LOADS AND INSTRUCTION / 20E - (ENG-FRE) AUTOCOLLANT, CHARGES ET CONSIGNES	
6	1001223853	1	20E - (ENG) DECAL,INSTRUCTIONS AND LOADS / 20E - (ENG) AUTOCOLLANT, CHARGES ET CONSIGNES	
7	1001223859	1	20E - (FRE) DECAL,INSTRUCTIONS AND LOADS / 20E - (FRE) AUTOCOLLANT, CHARGES ET CONSIGNES	
8	1001223861	1	20E - DECAL,WHEEL LOAD / 20E - AUTOCOLLANT, CHARGE SUR ROUE	
	1001223776	Ref	20E-L - (ENG-FRE) DECALS LOADS / 20E-L - (ENG-FRE) AUTOCOLLANTS CHARGES	A
5	1001223852	1	20E-L - (ENG-FRE) DECAL,LOADS AND INSTRUCTION / 20E-L - (ENG-FRE) AUTOCOLLANT, CHARGES ET CONSIGNES	
6	1001223854	1	20E-L - (ENG) DECAL,INSTRUCTIONS AND LOADS / 20E-L - (ENG) AUTOCOLLANT, CHARGES ET CONSIGNES	
7	1001223860	1	20E-L - (FRE) DECAL,INSTRUCTIONS AND LOADS / 20E-L - (FRE) AUTOCOLLANT, CHARGES ET CONSIGNES	
8	1001223862	1	20E-L - DECAL,WHEEL LOAD / 20E-L - AUTOCOLLANT, CHARGE SUR ROUE	
0	1001211436	Ref	DECALS CE / AUTOCOLLANTS CE	F
0	1001223765	Ref	DECALS AUSTRALIA / AUTOCOLLANTS AUSTRALIE	C
9	1001227848	1	DECAL, MANUAL / AUTOCOLLANT, MANUEL	
10	1703811	2	DECAL, LIFTING LUG / AUTOCOLLANT, ANNEAU DE LEVAGE	
11	1703814	4	DECAL, TIE DOWN / AUTOCOLLANT, ARRIMAGE	
12	1704016	2	DECAL, FORKLIFT LOCATION / AUTOCOLLANT, PRISE FOURCHE	
13	1704277	2	DECAL, LANYARD ATTACH / AUTOCOLLANT, ATTACHE HARNAIS	
14	1705803	1	DECAL, ELEC HAZARD / AUTOCOLLANT, RISQUES ELECTRIQUES	
15	1706493	1	DECAL, DROP BAR / AUTOCOLLANT, RISQUE DE CHUTE SOUS-LISSE	
16	1706740	1	DECAL, BATTERY DISCONNECT / AUTOCOLLANT, DECONNEXION BATTERIE	
17	1706764	2	DECAL, JLG.COM / AUTOCOLLANT, JLG.COM	
18	AU0149	4	DECAL REP DRIVE DIRECTION / AUTOCOLLANT, REP SENS MARCHE	
19	AU1423	1	DECAL, FILTER CHANGE DECAL / AUTOCOLLANT, CHANGEMENT DE FILTRE	
20	AU2061	1	ADHESIVE ANTI-SKID BAND (150x482) / BANDE ADHESIVE ANTIDERAPANTE (150x482)	
21	AU2095	1	DECAL, JIB MANUAL DESCENT / AUTOCOLLANT, DESCENTE BRAS (Prior to SN A300058301)	
21	1001226413	1	DECAL, JIB MANUAL DESCENT / AUTOCOLLANT, DESCENTE BRAS (SN A300058301 to Present)	
22	AU2097	1	DECAL, OIL LEVEL / AUTOCOLLANT, NIVEAU D'HUILE	
23	AU2098	2	DECAL, INSERT FORKS / AUTOCOLLANT, PRISES DE FOURCHE	
24	AU2103	3	DECAL, ELECTROCUTION / AUTOCOLLANT, ELECTROCUTION	

SECTION 9 - DECALS INSTALL / INSTALLATION AUTOCOLLANTS

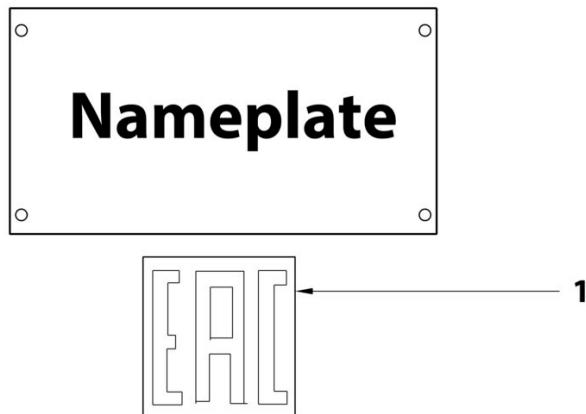
ITEM	PART NUMBER	QTY	DESCRIPTION	REV
25	AU2105	3	DECAL, NO KARCHER / AUTOCOLLANT, KARCHER	
26	AU2107	2	DECAL, HAND CRUSHING HAZARD / AUTOCOLLANT, COINCEMENT MAIN	
27	AU2108	4	DECAL, CRUSHING / AUTOCOLLANT, ECRASEMENT	
28	AU2134	2	DECAL, MANUAL SWING / AUTOCOLLANT, ORIENTATION MANUELLE	
29	1001228389	1	DECAL, EMERGENCY CONTROLS / AUTOCOLLANT, SECOURS	
30	1001245243	1	DECAL, MAST MANUAL DESCENT / AUTOCOLLANT, DESCENTE MANUELLE MAT	
31	AU2215	1	DECAL, SLACK CHAIN DETECTION / AUTOCOLLANT, MOU DE CHAINE	
32	AU2229	1	DECAL, BATTERY CHARGER PLUG / AUTOCOLLANT, PRISE CHARGEUR	
33	1001213900	1	DECAL, TIE DOWN & LIFTING / AUTOCOLLANT, ARRIMAGE-ELINGAGE	
34	4420051	1 0.4m	DECAL, WARNING STRIPES / AUTOCOLLANT, BANDE JAUNE/NOIRE	
35	1701499	4	TIE DOWN DECAL / AUTOCOLLANT, ARRIMAGE	
36	1702631	1	DECAL, BAR CODE ASSY / KIT AUTOCOLLANTS CODE BARRE	
36	1703633	1	DECAL, BAR-CODE / AUTOCOLLANT CODE BARRE	
36	1703632	1	DECAL, OVERLAY / PROTECTION ADHESIVE	
0	1001223761	1	DECALS ANSI ENGLISH / AUTOCOLLANTS ANSI ANGLAIS	D
0	1001223762	1	DECALS ANSI SPANISH-PORTUGUESE / AUTOCOLLANTS ANSI ESPAGNOL-PORTUGAIS	C
0	1001223763	1	DECALS ANSI ENGLISH-SPANISH / AUTOCOLLANTS ANSI ANGLAIS-ESPAGNOL	C
0	1001223764	1	DECALS CSA ENGLISH-FRENCH / AUTOCOLLANTS CSA ANGLAIS-FRANCAIS	D
9	1001227848	1	DECAL, MANUAL / AUTOCOLLANT, MANUEL	
10	1703811	2	DECAL, LIFTING LUG / AUTOCOLLANT, ANNEAU DE LEVAGE	
11	1703814	4	DECAL, TIE DOWN / AUTOCOLLANT, ARRIMAGE	
12	1704016	2	DECAL, FORK LIFT / AUTOCOLLANT, PRISE FOURCHE	
13	1704277	2	DECAL, LANYARD ATTACH / AUTOCOLLANT, ATTACHE HARNAIS	
14	1703785	1	ENG-DECAL, WARNING FIRE HAZARD / ENG-AUTOCOLLANT, RISQUES EXPLOSION	
14	1704023	1	POR-DECAL, WARNING FIRE HAZARD / POR-AUTOCOLLANT, RISQUES EXPLOSION	
15	1706493	1	DECAL, DROP BAR / AUTOCOLLANT, RISQUE DE CHUTE SOUS-LISSE	
16	1706740	1	DECAL, BATTERY DISCONNECT / AUTOCOLLANT, DECONNEXION BATTERIE	
17	1704885	2	DECAL, WEBSITE / AUTOCOLLANT, SITE WEB	
18	AU0149	4	DECAL REP DRIVE DIRECTION / AUTOCOLLANT, REP SENS MARCHE	
19	AU1423	1	FILTER CHANGE DECAL / AUTOCOLLANT, CHANGEMENT DE FILTRE	
20	AU2061	1	ADHESIVE ANTI-SKID BAND (150x482) / BANDE ADHESIVE ANTIDERAPANTE (150x482)	
21	1001226413	1	DECAL, JIB MANUAL DESCENT / AUTOCOLLANT, DESCENTE BRAS	
22	AU2097	1	DECAL, OIL LEVEL / AUTOCOLLANT, NIVEAU D'HUILE	
23	AU2098	2	DECAL, INSERT FORKS / AUTOCOLLANT, PRISES DE FOURCHE	
24	AU2118	3	ENG-DECAL, ELECTROCUTION HAZARD / ENG-AUTOCOLLANT,	

SECTION 9 - DECALS INSTALL / INSTALLATION AUTOCOLLANTS

ITEM	PART NUMBER	QTY	DESCRIPTION	REV
24	AU2155	3	ELECTROCUTION POR-DECAL,ELECTROCUTION HAZARD / POR-AUTOCOLLANT, ELECTROCUTION	
25	AU2105	3	DECAL, NO KARCHER / AUTOCOLLANT, KARCHER	
26	AU2119	2	ENG-DECAL,HAND CRUSHING HAZARD / ENG-AUTOCOLLANT, COINCEMENT MAIN	
26	AU2152	2	POR-DECAL,HAND CRUSHING HAZARD / POR-AUTOCOLLANT, COINCEMENT MAIN	
27	AU2117	4	ENG-DECAL, CRUSHING HAZARD / ENG-AUTOCOLLANT, ECRASEMENT	
27	AU2154	4	POR-DECAL, CRUSHING HAZARD / POR-AUTOCOLLANT, ECRASEMENT	
28	AU2134	1	DECAL, MANUAL SWING / AUTOCOLLANT, ORIENTATION MANUELLE	
29	1001226414	1	DECAL,EMERGENCY CONTROLS / AUTOCOLLANT, SECOURS	
30	1001245243	1	DECAL,MAST MANUAL DESCENT / AUTOCOLLANT, DESCENTE MANUELLE MAT	
31	AU2215	1	DECAL,SLACK CHAIN DETECTION / AUTOCOLLANT, MOU DE CHAINE	
32	AU2229	1	DECAL,BATTERY CHARGER PLUG / AUTOCOLLANT, PRISE CHARGEUR	
33	1001213900	1	DECAL,TIE DOWN & LIFTING / AUTOCOLLANT, ARRIMAGE- ELINGAGE	
35	1701499	4	TIE DOWN DECAL / AUTOCOLLANT, ARRIMAGE	
36	1702631	1	DECAL,BAR CODE ASSY / KIT AUTOCOLLANTS CODE BARRE	
36	1703633	1	DECAL,BAR CODE / AUTOCOLLANT CODE BARRE	
36	1703632	1	DECAL,OVERLAY / PROTECTION ADHESIVE	
37	1001224026	1	DECAL,JIB MANUAL RAISING / AUTOCOLLANT MONTEE BRAS	
38	AU2147	1	SPA-DECAL,HAND CRUSHING HAZARD / ENG-AUTOCOLLANT, COINCEMENT MAIN	
38	AU2140	1	FRE-DECAL,HAND CRUSHING HAZARD / FRE-AUTOCOLLANT, COINCEMENT MAIN	
39	AU2149	3	SPA-DECAL, CRUSHING HAZARD / SPA-AUTOCOLLANT, ECRASEMENT	
39	AU2143	1	FRE-DECAL, CRUSHING HAZARD / FRE-AUTOCOLLANT, ECRASEMENT	
40	AU2150	3	SPA-DECAL, ELECTROCUTION HAZARD / SPA-AUTOCOLLANT, ELECTROCUTION	
40	AU2144	1	FRE-DECAL, ELECTROCUTION HAZARD / FRE-AUTOCOLLANT, ELECTROCUTION	
41	1704031	1	SPA-DECAL,WARNING FIRE HAZARD / SPA-AUTOCOLLANT, RISQUES EXPLOSION	
41	AU2145	1	FRE-DECAL,WARNING FIRE HAZARD / FRE-AUTOCOLLANT, RISQUES EXPLOSION	
42	AU2160	1	ENG-SPA-DECAL, CRUSHING HAZARD / ENG-SPA- AUTOCOLLANT, ECRASEMENT	
42	AU2161	1	SPA-POR-DECAL, CRUSHING HAZARD / SPA-POR- AUTOCOLLANT, ECRASEMENT	
42	AU2159	1	ENG-FRE-DECAL, CRUSHING HAZARD / ENG-FRE- AUTOCOLLANT, ECRASEMENT	
44	1001231801	1	DECAL,WARNING PROP 65 / AUTOCOLLANT ATTENTION PROP 65	

SECTION 9 - DECALS INSTALL / INSTALLATION AUTOCOLLANTS

FIGURE 9-2. DECAL,EAC (RUSSIA,CIS) INSTALL / INSTALLATION AUTOCOLLANT EAC (RUSSIA,CIS)



ART_1001214029

SECTION 9 - DECALS INSTALL / INSTALLATION AUTOCOLLANTS

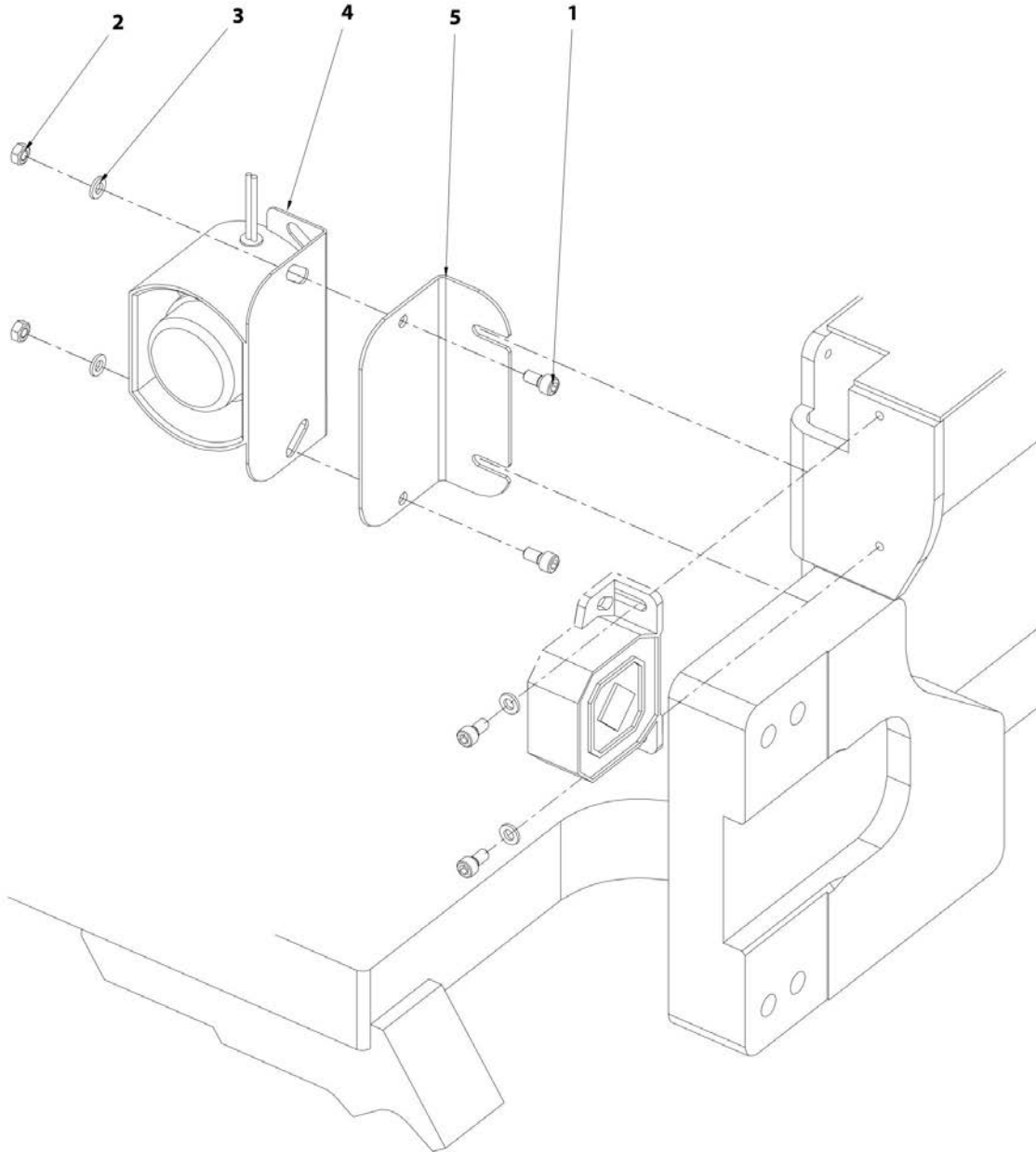
FIGURE 9-2. DECAL,EAC (RUSSIA,CIS) INSTALL / INSTALLATION AUTOCOLLANT EAC (RUSSIA,CIS)

ITEM	PART NUMBER	QTY	DESCRIPTION	REV
	1001214029	Ref	DECAL,EAC (RUSSIA,CIS) INSTALL / INSTALLATION AUTOCOLLANT EAS (RUSSIE, CIS)	A
1	1001173703	1	DECAL,EAC / AUTOCOLLANT EAC	

SECTION 10 - OPTIONS / OPTIONS

SECTION 10 - OPTIONS / OPTIONS

FIGURE 10-1. MOTION ALARM INSTALL / INSTALLATION ALARME DE MOUVEMENT



ART_OP509

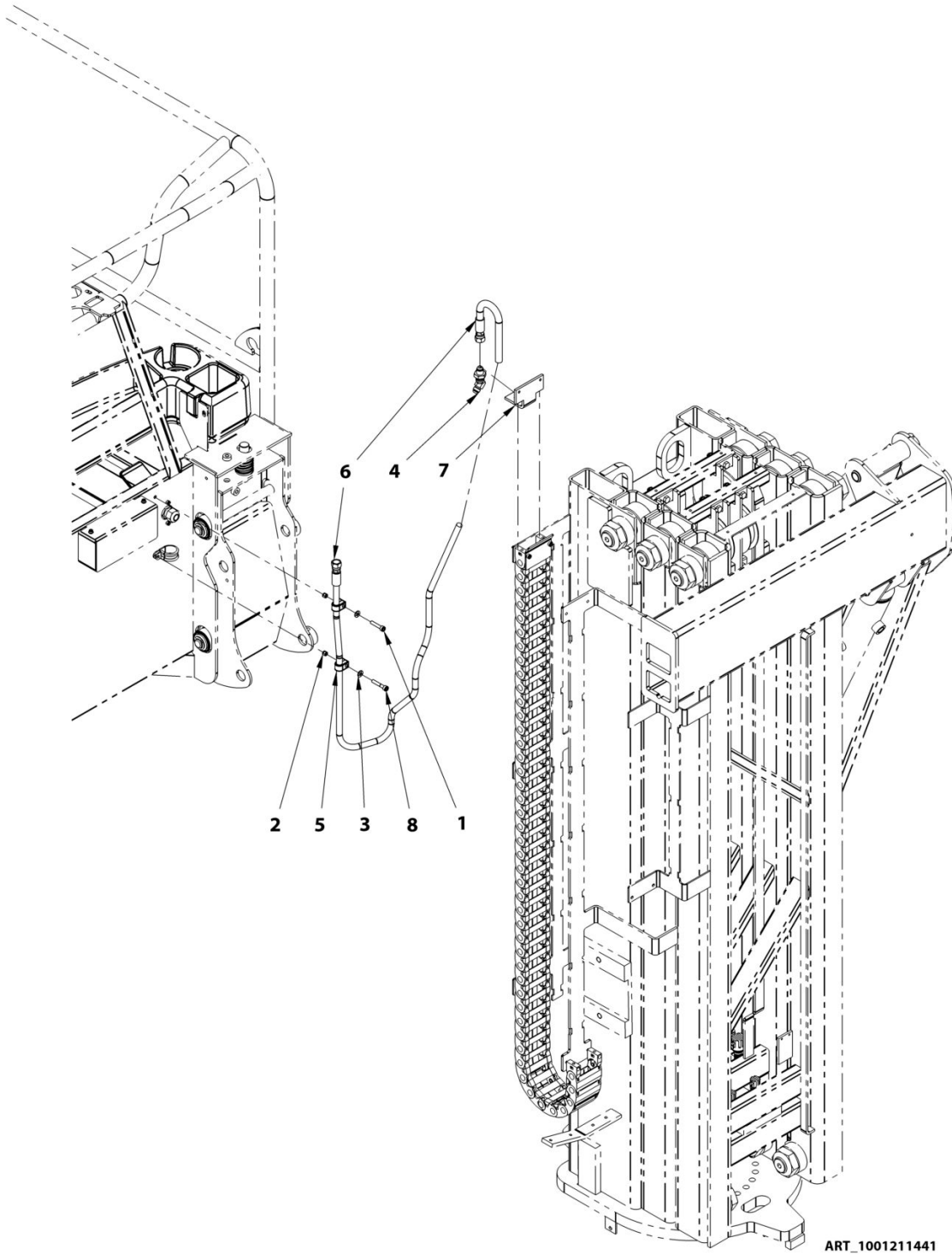
SECTION 10 - OPTIONS / OPTIONS

FIGURE 10-1. MOTION ALARM INSTALL / INSTALLATION ALARME DE MOUVEMENT

ITEM	PART NUMBER	QTY	DESCRIPTION	REV
	OP509		MOTION ALARM INSTALL / INSTALLATION ALARME DE MOUVEMENT	A
1	000014	2	M06x12 8.8 SOCKET HEAD MACH SCREW / VIS CHC M06x12 8.8 BI FT	
2	110003	2	M06 GR08 LOCK NUT / ECROU FREIN M6 CL08 BI	
3	120009	2	dD 06x14 LOCK WASHER / RONDELLE CONTACT dD 06x14 BI	
4	PC0466	1	HARNESS, MOTION ALARM / FAISCEAU ALARME DE MOUVEMENT	
5	ST3022	1	MOTION ALARM BRACKET / EQUERRE ALARME DE MOUVEMENTS	

SECTION 10 - OPTIONS / OPTIONS

FIGURE 10-2. AIRLINE 5/16" INSTALL / INSTALLATION AIR COMPRIE 5/16"



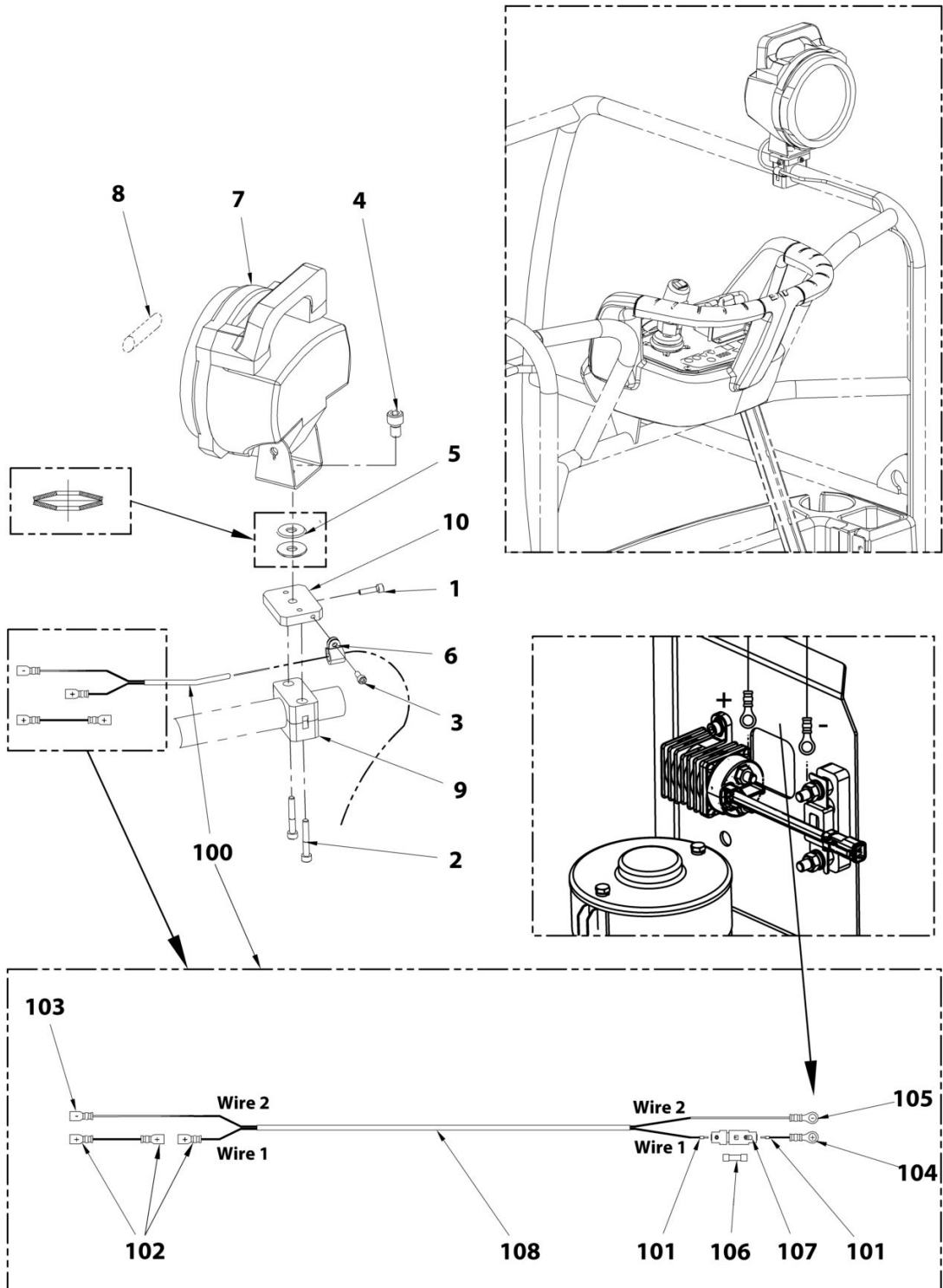
SECTION 10 - OPTIONS / OPTIONS

FIGURE 10-2. AIRLINE 5/16" INSTALL / INSTALLATION AIR COMPRIME 5/16"

ITEM	PART NUMBER	QTY	DESCRIPTION	REV
	1001211441		AIR LINE 5/16" INSTALL / INSTALLATION AIR COMPRIME 5/16"	B
1	000016	1	M06x30 8.8 SOCKET HEAD MACH SCREW / VIS CHC M06x30 8.8 BI FT	
2	110003	2	M06 GR. 8.8 LOCK NUT / ECROU FREIN M6 CL08 BI	
3	120009	2	LOCK WASHER D06x14 / RONDELLE CONTACT dD 06x14 BI	
4	300161	1	45° BULKHEAD JIC 9/16 / TRAVERSEE DE CLOISON 45° JIC	
5	400047	2	CLAMP,SINGLE D12 / COLLIER D12	
6	DF0986	1	HOSE 5/16-0760cm-JIC Fem 9/16-JIC Fem 9/16 / FLEXIBLE 5/16-0760cm-JIC Fem 9/16-JIC Fem 9/16	
7	ST1969	1	SUPPORT, AIR LINE HOSE / SUPPORT FLEXIBLE AIR COMPRIME	
8	000077	1	M06x35 8.8 SOCKET HEAD CAPSCREW / VIS CHC M06x35 8.8 BI FP	

SECTION 10 - OPTIONS / OPTIONS

FIGURE 10-3. WORKING LIGHT INSTALL / INSTALLATION PHARE DE TRAVAIL



ART_OP521

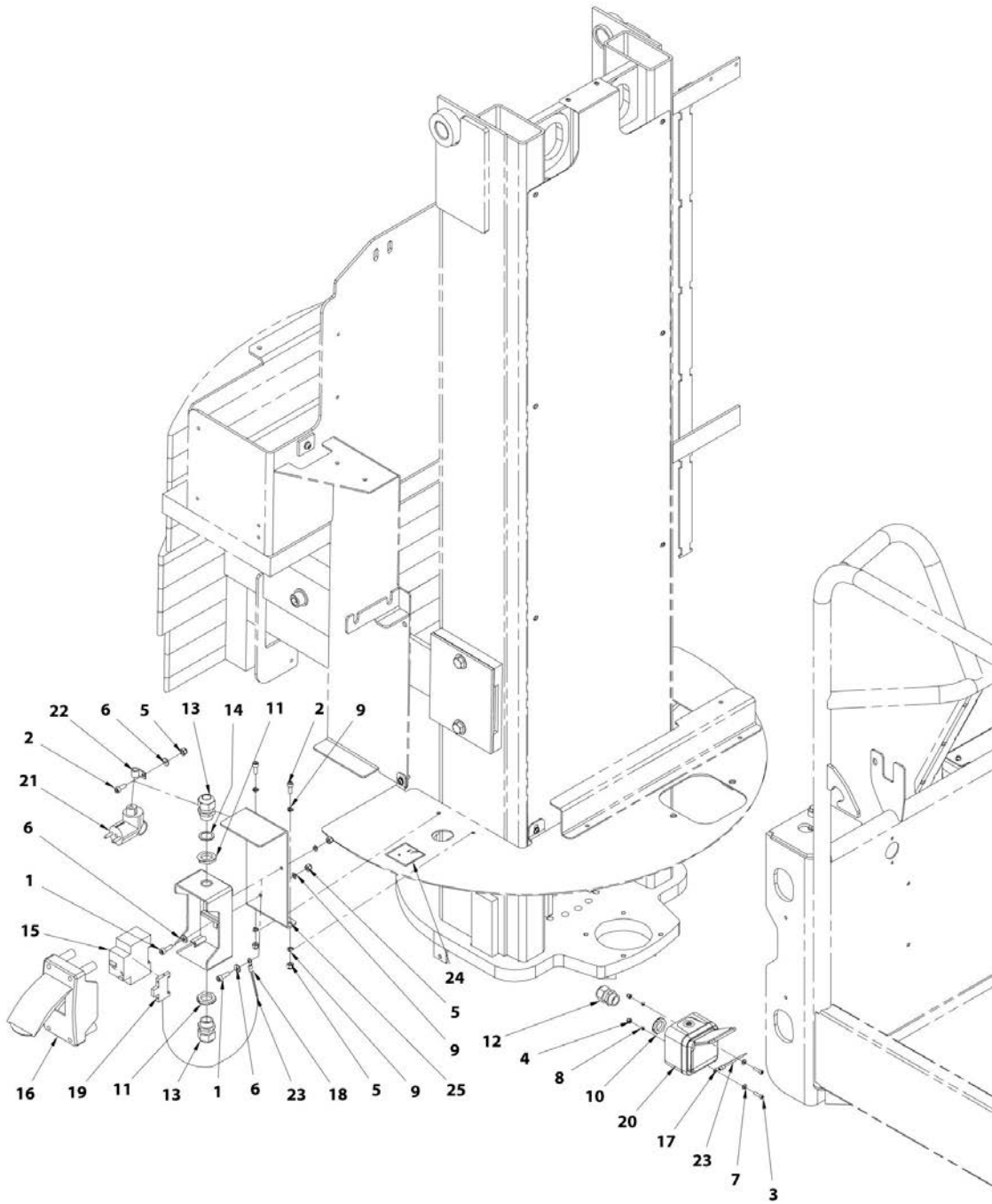
SECTION 10 - OPTIONS / OPTIONS

FIGURE 10-3. WORKING LIGHT INSTALL / INSTALLATION PHARE DE TRAVAIL

ITEM	PART NUMBER	QTY	DESCRIPTION	REV
	OP521		WORKING LIGHT INSTALL / INSTALLATION PHARE DE TRAVAIL	B
1	000010	1	M05x20 8.8 SOCKET HEAD MACH SCREW / VIS CHC M05x20 8.8 BI FT	
2	000017	2	M06x40 8.8 SOCKET HEAD MACH SCREW / VIS CHC M06x40 8.8 BI FT	
3	000067	1	M05x12 8.8 SOCKET HEAD MACH SCREW / VIS CHC M05x12 8.8 BI FT	
4	000069	1	M10x16 8.8 SOCKET HEAD MACH SCREW / VIS CHC M10x16 8.8 BI FT	
5	120043	2	BEVEL WASHER Ø28x10.2x1 / RONDELLE RESSORT Ø28x10.2x1 BR	
6	1321293	1	CLAMP,INSULATED BAND / COLLIER ISOLE	
7	260144	1	24V 70W LIGHT / PHARE 24V 70W	
8	260146	1	BULB H3 / 70W / AMPOULE H3 / 70W	
9	400077	1	CLAMP, SINGLE D30 / COLLIER D30	
10	FX158-014	1	PLATFORM LIGHT PLATE / PLATINE PHARE DE TRAVAIL	
100	PC0528	1	HARNES,WORK LIGHT / FAISEAU PHARE DE TRAVAIL	
101	250001	2	FERRULE TERMINAL 1mm ² / EMBOUT 1mm ²	
102	250026	3	RED RECEPTACLE TERM. 6.3 - 0.5-1.2mm ² / COSSE FEMELLE 6.3 ROUGE - 0.5-1.2mm ²	
103	250027	1	BLUE RECEPTACLE TER. 6.3 - 1.5-2.5mm ² / COSSE FEM. 6.3 BLEUE 6.3 - 1.5-2.5mm ²	
104	250084	1	M8 EYELET TERMINAL 0.25-1mm ² / COSSE A OEIL ISOLEE M8 - 0.25-1mm ²	
105	250172	1	M08 EYELET TERMINAL 1-2.5mm ² / COSSE A OEIL ISOLEE M08 - 1-2.5mm ²	
106	260006	1	5x20 3.15A FUSE / FUSIBLE 5x20 3.15A	
107	260007	1	FUSE HOLDER / PORTE FUSIBLE	
108	270031	12.2m	CABLE 2x1mm ² / CABLE 2x1mm ²	

SECTION 10 - OPTIONS / OPTIONS

FIGURE 10-4. 230V PLATFORM SOCKET INSTALL / INSTALLATION PRISE PLATE-FORME 230V



ART_SA0093

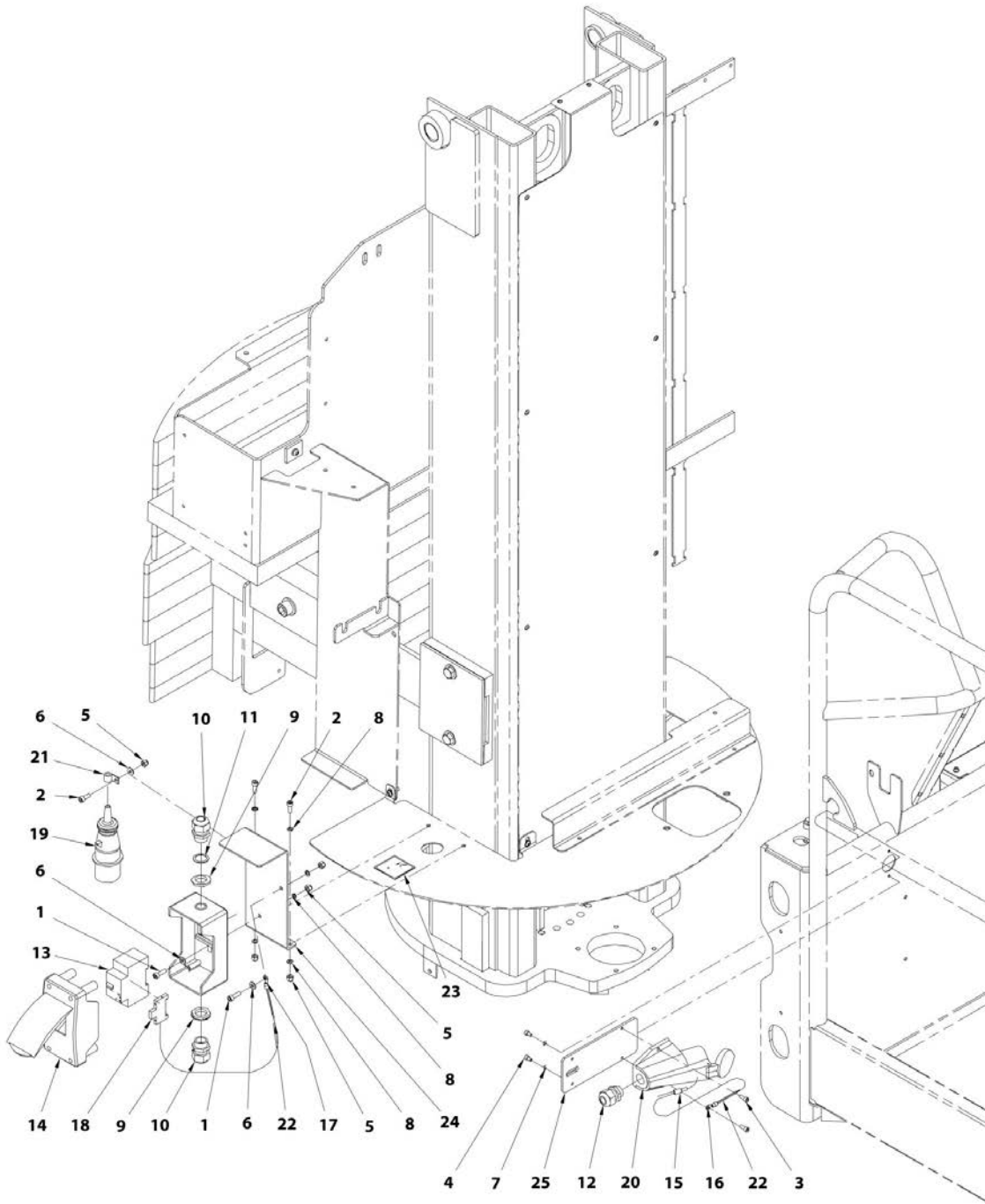
SECTION 10 - OPTIONS / OPTIONS

FIGURE 10-4. 230V PLATFORM SOCKET INSTALL / INSTALLATION PRISE PLATE-FORME 230V

ITEM	PART NUMBER	QTY	DESCRIPTION	REV
	SA0093		PLATFORM 230V FRENCH SOCKET INSTALL / INSTALLATION PRISE PANIER FRANCE 230V	C
	SA0094		PLATFORM 230V GERMAN SOCKET INSTALL / INSTALLATION PRISE PANIER ALLEMAGNE 230V	C
1	000005	2	M06x20 8.8 SOCKET HEAD MACH SCREW / VIS CHC M06x20 8.8 BI FT	
2	000015	3	M06x16 8.8 SOCKET HEAD MACH SCREW / VIS CHC M06x16 8.8 BI FT	
3	000085	2	M04x16 8.8 SOCKET HEAD MACH SCREW / VIS CHC M04x16 8.8 BI FT	
4	110001	2	M04 GR08 LOCK NUT / ECROU FREIN M4 CL08 BI	
5	110003	5	M06 GR08 LOCK NUT / ECROU FREIN M6 CL08 BI	
6	120009	3	dD 06x14 LOCK WASHER / RONDELLE CONTACT dD 06x14 BI	
7	120024	2	M4 LOCK WASHER / RONDELLE CONTACT M4 BI	
8	120058	2	WASHER,D4 SERRATED LOCK / RONDELLE EVENTAIL D4	
9	120060	6	WASHER,D6 SERRATED LOCK / RONDELLE EVENTAIL D6	
10	210011	1	GLAND N°13 NUT / ECROU DE PRESSE ETOUPE N°13	
11	210012	2	GLAND N°16 NUT / ECROU DE PRESSE ETOUPE N°16	
12	210019	1	GLAND N°13 / PRESSE ETOUPE N°13	
13	210021	2	GLAND N°16 / PRESSE ETOUPE N°16	
14	210065	1	N°16 GLAND SEAL / JOINT DE PRESSE ETOUPE N°16	
15	1001181045	1	CUTOUT 30 mA / DISJONCTEUR DIFFERENTIEL 30 mA	
16	240093	1	CUTOUT BOX / BOITIER DISJONCTEUR	
17	250089	1	M04 EYELET TERMINAL 1-2.5mm ² / COSSE A OEIL ISOLEE M4 - 1-2.5mm ²	
18	250091	1	M6 EYELET TERMINAL 1-2.5mm ² / COSSE A OEIL ISOLEE M6 - 1-2.5mm ²	
19	250135	1	TERMINAL BLOCK VICKING / BLOC DE JONCTION VICKING	
20	260029	1	FRENCH 230 VAC SOCKET 2P+T / PRISE FEM. FRANCAISE 230VAC 2P+T	
20	260187	1	GERMAN 230 VAC SOCKET 2P+T / PRISE FEM. ALLEMANDE 230VAC 2P+T	
21	260214	1	FRENCH AND GERMAN 230V CONNECTOR / PRISE 230V FRANCAISE ET ALLEMANDE	
22	1321293	1	CLAMP,INSULATED BAND / COLLIER ISOLE	
23	270002	0.5m	WIRE 2 mm ² Y/G (qty indicated in meter) / FIL 2 mm ² V/J (qté indiquée en mètre)	
24	AU1716	1	PLATFORM SOCKET DECAL / AUTOCOLLANT PRISE PANIER	
25	ST3438	1	SUPPORT,BREAKER BOX / SUPPORT COUPE CIRCUIT	

SECTION 10 - OPTIONS / OPTIONS

FIGURE 10-5. PLATFORM 115V IEC SOCKET INSTALL / INSTALLATION PRISE PLATE-FORME 115V EIC



ART_SA0095

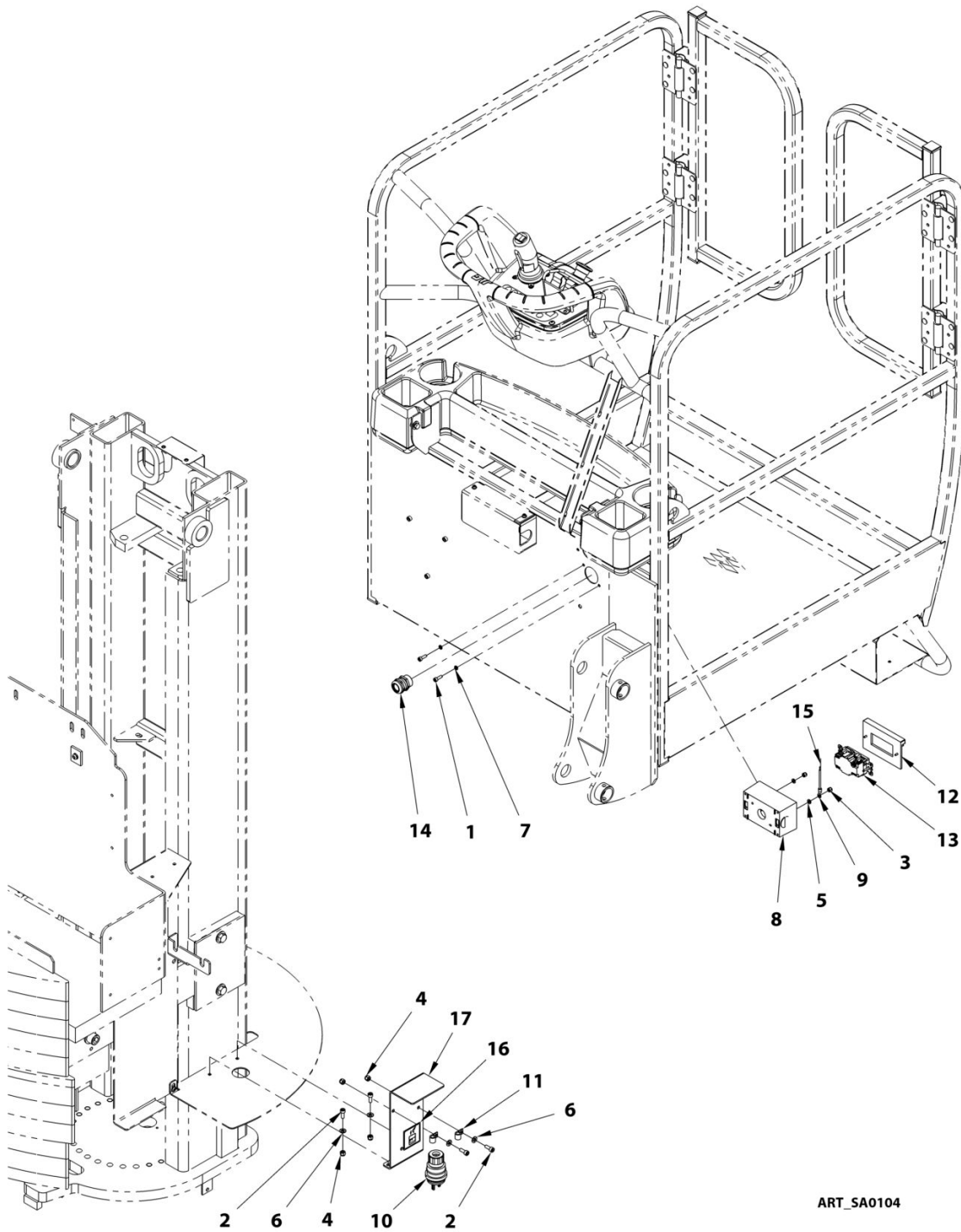
SECTION 10 - OPTIONS / OPTIONS

FIGURE 10-5. PLATFORM 115V IEC SOCKET INSTALL / INSTALLATION PRISE PLATE-FORME115V EIC

ITEM	PART NUMBER	QTY	DESCRIPTION	REV
	SA0095		PLATFORM 115V IEC SOCKET INSTALL / INSTALLATION PRISE PANIER IEC 115V	C
1	000005	2	M06x20 8.8 SOCKET HEAD MACH SCREW / VIS CHC M06x20 8.8 BI FT	
2	000015	3	M06x16 8.8 SOCKET HEAD MACH SCREW / VIS CHC M06x16 8.8 BI FT	
3	000067	2	M05x12 8.8 SOCKET HEAD MACH SCREW / VIS CHC M05x12 8.8 BI FT	
4	000089	2	M05x08 8.8 SOCKET HEAD MACH SCREW / VIS CHC M05x08 8.8 BI FT	
5	110003	5	M06 GR08 LOCK NUT / ECROU FREIN M6 CL08 BI	
6	120009	3	dD 06x14 LOCK WASHER / RONDELLE CONTACT dD 06x14 BI	
7	120059	2	WASHER,D5 SERRATED LOCK / RONDELLE EVENTAIL D5	
8	120060	6	WASHER,D6 SERRATED LOCK / RONDELLE EVENTAIL D6	
9	210012	2	GLAND N°16 NUT / ECROU DE PRESSE ETOUPE N°16	
10	210021	2	GLAND N°16 / PRESSE ETOUPE N°16	
11	210065	1	N°16 GLAND SEAL / JOINT DE PRESSE ETOUPE N°16	
12	210066	1	M20 CABLE GLAND / PRESSE ETOUPE M20	
13	1001181045	1	CUTOOUT 30 mA / DISJONCTEUR DIFFERENTIEL 30 mA	
14	240093	1	CUTOOUT BOX / BOITIER DISJONCTEUR	
15	250071	1	INSULATED SOCKET TERMINAL Ø5 / COSSE CYLINDRIQUE FEM. ISOLEE Ø5	
16	250090	1	M5 EYELET TERMINAL 1-2.5mm ² / COSSE A OEIL ISOLEE M5 - 1-2.5mm ²	
17	250091	1	M6 EYELET TERMINAL 1-2.5mm ² / COSSE A OEIL ISOLEE M6 - 1-2.5mm ²	
18	250135	1	TERMINAL BLOCK VICKING / BLOC DE JONCTION VICKING	
19	260213	1	CONNECTOR 115VAC/16A IEC60309 / PRISE MALE 115VAC/16A CEI60309	
20	260258	1	115 VAC IEC60309 SURFACE SOCKET / PRISE FEMELLE FIXE 115VAC CEI60309	
21	1321293	1	CLAMP, INSULATED BAND / COLLIER ISOLE	
22	270002	0.6m	WIRE 2 mm ² Y/G (qty indicated in meter) / FIL 2 mm ² V/J (qté indiquée en mètre)	
23	AU1716	1	PLATFORM SOCKET DECAL / AUTOCOLLANT PRISE PANIER	
24	ST3438	1	SUPPORT,BREAKER BOX / SUPPORT COUPE CIRCUIT	
25	ST3439	1	SUPPORT, SOCKET 115V / SUPPORT PRISE 115V	

SECTION 10 - OPTIONS / OPTIONS

FIGURE 10-6. PLATFORM 115V GFI-US SOCKET INSTALL / INSTALLATION PRISE PLATE-FORME 115V GFI-US



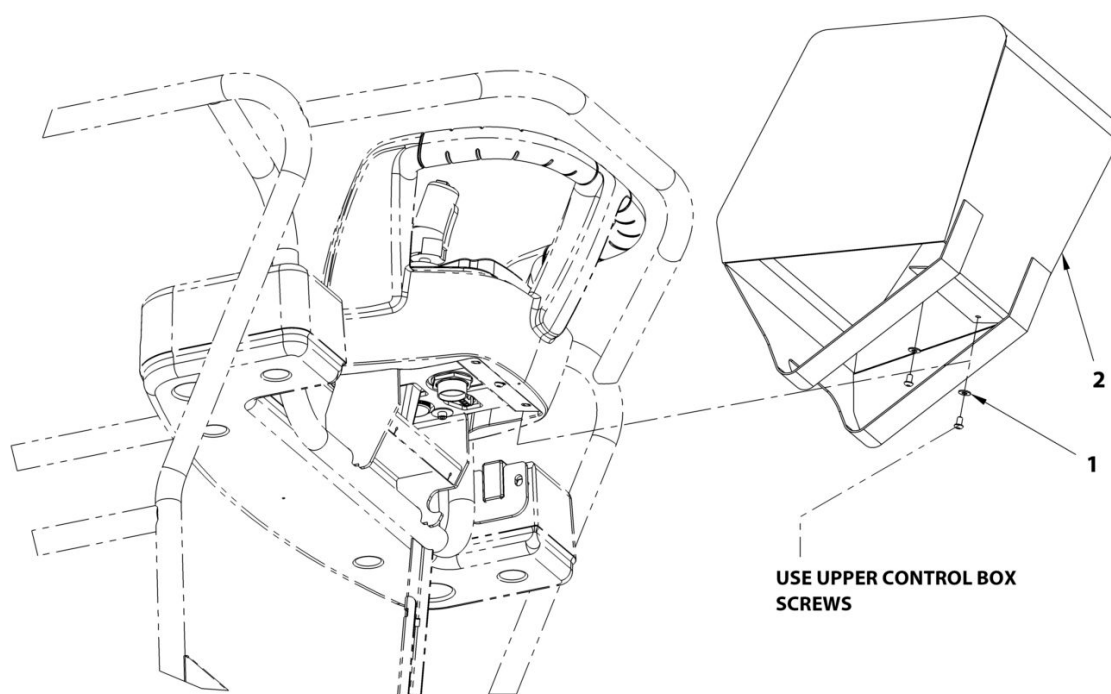
SECTION 10 - OPTIONS / OPTIONS

FIGURE 10-6. PLATFORM 115V GFI-US SOCKET INSTALL / INSTALLATION PRISE PLATE-FORME 115V GFI-US

ITEM	PART NUMBER	QTY	DESCRIPTION	REV
	SA0104		PLATFORM 115V GFI-US SOCKET INSTALL / INSTALLATION PRISE PLATE-FORME 115V GFI-US	B
1	000003	2	M05x16 8.8 SOCKET HEAD MACH SCREW / VIS CHC M05x16 8.8 BI FT	
2	000015	4	M06x16 8.8 SOCKET HEAD MACH SCREW / VIS CHC M06x16 8.8 BI FT	
3	110002	2	M05 GR08 LOCK NUT / ECROU FREIN M5 CL08 BI	
4	110003	4	M06 GR08 LOCK NUT / ECROU FREIN M6 CL08 BI	
5	120002	2	M05 WASHER / RONDELLE M05 BI	
6	120009	4	dD 06x14 LOCK WASHER / RONDELLE CONTACT dD 06x14 BI	
7	120059	2	WASHER,D5 SERRATED LOCK / RONDELLE EVENTAIL D5	
8	230016	1	ELECTRICAL BOX / BOITIER ELECTRIQUE	
9	250090	1	M5 EYELET TERMINAL 1-2.5mm ² / COSSE A OEIL ISOLEE M5 - 1-2.5mm ²	
10	260276	1	US 125 VAC MALE CONNec. (=7364002824) / PRISE US 125VAC (=7364002824)	
11	1321293	2	CLAMP,INSULATED BAND / COLLIER ISOLE	
12	4060700	1	CIRCUIT BREAKER COVER / COUVERCLE COUPE CIRCUIT	
13	4460346	1	CIRCUIT BREAKER KIT / KIT COUPE CIRCUIT	
14	7364001818	1	STRAIN RELIEF CONNECTOR / PRESSE ETOUPE	
15	270002	0.3	WIRE 2 mm ² Y/G (qty indicated in meter) / FIL 2 mm ² V/J (qté indiquée en mètre)	
16	AU1716	1	PLATFORM SOCKET DECAL / AUTOCOLLANT PRISE PANIER	
17	ST3438	1	SUPPORT,BREAKER BOX / SUPPORT COUPE CIRCUIT	

SECTION 10 - OPTIONS / OPTIONS

FIGURE 10-7. UCB PROTECTION INSTALL / INSTALLATION PROTECTION BOITIER HAUT



ART_1001214774

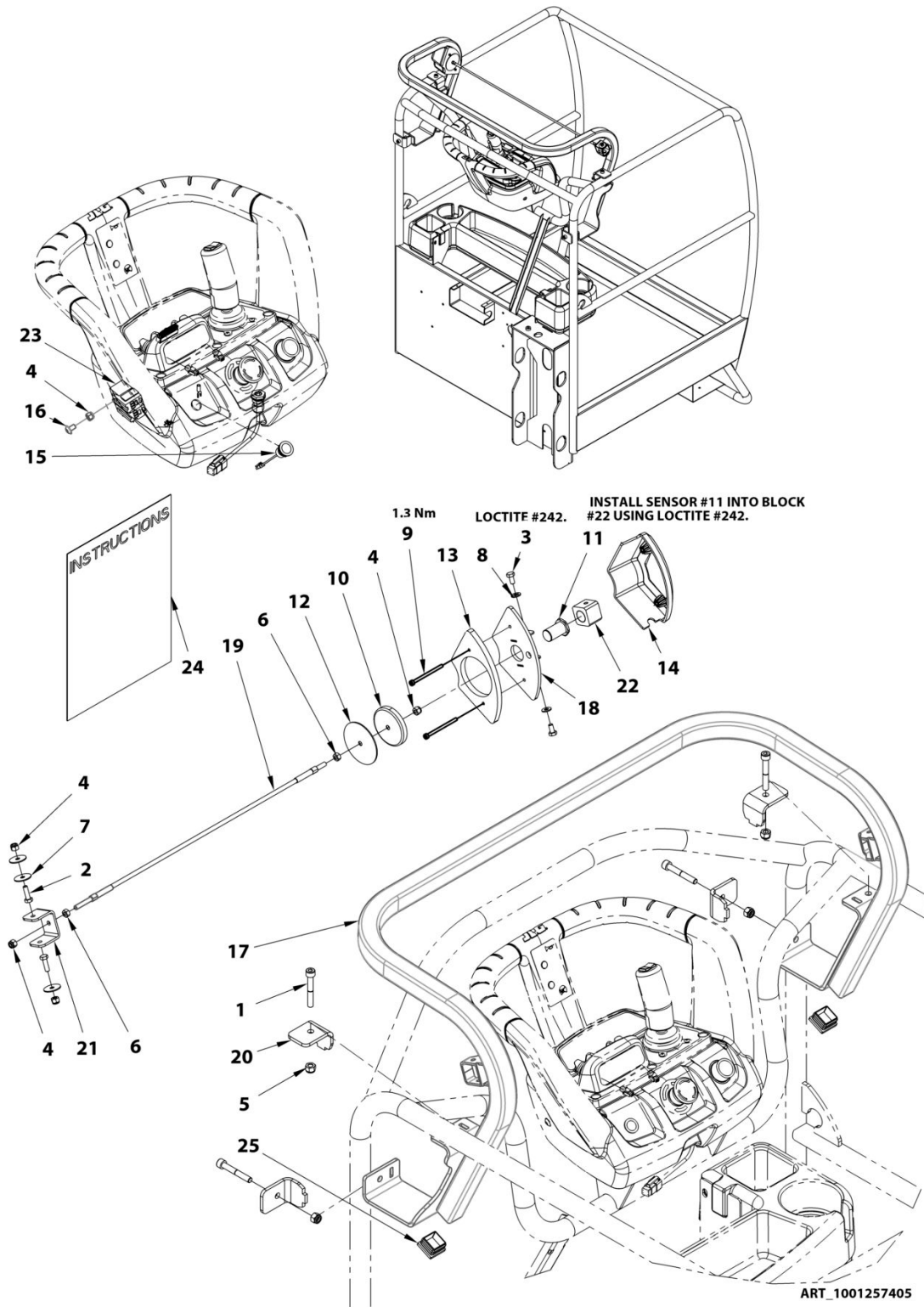
SECTION 10 - OPTIONS / OPTIONS

FIGURE 10-7. UCB PROTECTION INSTALL / INSTALLATION PROTECTION BOITIER HAUT

ITEM	PART NUMBER	QTY	DESCRIPTION	REV
	1001214774	Ref	UCB PROTECTION INSTALL / INSTALLATION PROTECTION BOITIER HAUT	A
1	120009	1	LOCK WASHER D06x14 / RONDELLE FREIN D06x14	
2	1001214777	2	UCB PROTECTION / PROTECTION BOITIER HAUT	

SECTION 10 - OPTIONS / OPTIONS

FIGURE 10-8. SKYLINE INSTALL / INSTALLATION SKYLINE



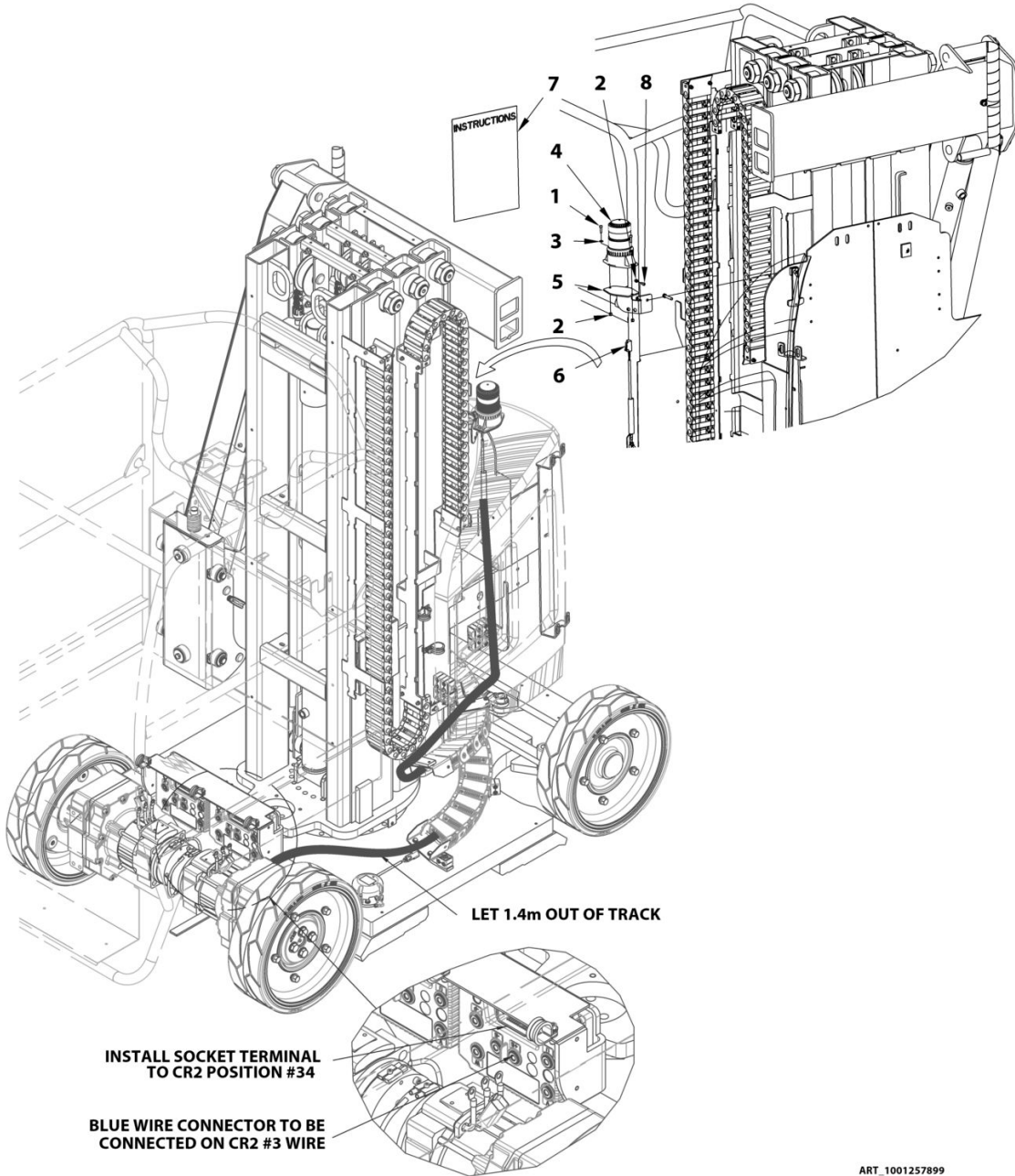
SECTION 10 - OPTIONS / OPTIONS

FIGURE 10-8. SKYLINE INSTALL / INSTALLATION SKYLINE

ITEM	PART NUMBER	QTY	DESCRIPTION	REV
	1001257405		SKYLINE INSTALL / INSTALLATION SKYLINE	
1	000078	4	M08x55 8.8 SOCKET HEAD CAPSCREW / VIS CHC M08x55 8.8 BI FP	
2	100005	2	M06x20 8.8 HEX HEAD MACHINE SCREW / VIS H M06x20 8.8 BI FT	
3	100027	2	M06x12 8.8 HEX HEAD MACHINE SCREW / VIS H M06x12 8.8 BI FT	
4	110003	5	M06 GR. 8.8 LOCK NUT / ECROU FREIN M6 CL08 BI	
5	110004	4	M08 GR. 8.8 LOCK NUT / ECROU FREIN M8 CL08 BI	
6	110015	2	M06 GR. 8.8 HEX NUT / ECROU M6 CL08 BI	
7	120004	3	dD 06x25x1.2 WASHER / RONDELLE dD 6x25x1.2 BI	
8	120009	2	LOCK WASHER D06x14 / RONDELLE CONTACT dD 06x14 BI	
9	4031516	2	M04x60 8.8 SOCKET HEAD CAPSCREW / VIS CHC M04x60 8.8 BI FP	
10	1001232650	1	MAGNET,50LBS PULL FORCE / AIMANT 22KG	
11	1001232667	1	SENSOR ASSEMBLY,PROXIMITY / FAISCEAU CAPTEUR PROXIMITE	
12	1001235013	1	WASHER-SPEC,2.625 OD / RONDELLE SPECIALE D66.5mm	
13	1001238477	1	HOUSING,SKYLINE LEFT / PROTECTION GAUCHE SKYLINE	
14	1001241965	1	HOUSING,SKYLINE RIGHT / CAISSON DROIT SKYLINE	
15	1001255627	1	ELEC ASSY,PUSH BUTTON / FAISCEAU BOUTON POUSSOIR	
16	1001256013	1	SCREW RD HD MACH,M6X10 / VIS TETE RONDE M06x10	
17	1001257409	1	SUPPORT,SKYLINE / SUPPORT SKYLINE	
18	1001256255	1	MOUNT,SKYLINE MAGNET / TOLE MONTAGE AIMANT	
19	1001256342	1	ROPE,SKYLINE ASSEMBLY / CABLE SKYLINE	
20	1001256344	4	BRACKET,LOCK / BRIDE SKYLINE	
21	1001256346	1	PLATE,HINGE SKYLINE / CHAPE SKYLINE	
22	1001256347	1	BLOCK,SKYLINE / PAVE SKYLINE	
23	1001256645	1	HARNES,SKYLINE / FAISCEAU SKYLINE	
24	1001257047	1	SPEC, SKYLINE INSTALL PROCEDURE / FICHE TECHNIQUE SKYLINE	
25	400099	2	CAP,TUBE / BOUCHON TUBE	

SECTION 10 - OPTIONS / OPTIONS

FIGURE 10-9. SKYLINE BEACON INSTALL / INSTALLATION FEU SKYLINE



ART_1001257899

SECTION 10 - OPTIONS / OPTIONS

FIGURE 10-9. SKYLINE BEACON INSTALL / INSTALLATION FEU SKYLINE

ITEM	PART NUMBER	QTY	DESCRIPTION	REV
	1001257899		SKYLINE BEACON INSTALL / INSTALLATION FEU BLEU SKYLINE	
1	000085	2	M04x16 8.8 SOCKET HEAD MACH SCREW / VIS CHC M04x16 8.8 BI FT	
2	110001	3	M04 GR. 8.8 LOCK NUT / ECROU FREIN M4 CL08 BI	
3	120024	2	LOCK WASHER D04x10 / RONDELLE CONTACT M4 BI	
4	1001200910	1	LAMP,BLUE BEACON / FEU BLEU	
5	1001257867	1	BRACKET,BLUE BEACON / SUPPORT FEU BLEU	
6	1001257900	1	HARNES,SKYLINE BEACON / FAISCEAU FEU BLEU	
7	1001257901	1	SPEC,SKYLINE BEACON PROCEDURE / PROCEDURE MONTAGE FEU BLEU	
8	000050	1	M04x10 8.8 SOCKET HEAD MACH SCREW / VIS CHC M04x10 8.8 BI FT	

**SECTION 11 - RECOMMENDED PARTS LIST / LISTE DE PIÈCES
RECOMMANDÉES**

**SECTION 11 - RECOMMENDED PARTS LIST / LISTE DE PIÈCES
RECOMMANDÉES**

SECTION 11 - RECOMMENDED PARTS LIST / LISTE DE PIECES RECOMMANDEES

FIGURE 11-1. RECOMMENDED PARTS LIST / LISTE DE PIECES RECOMMANDEES

ITEM	PART NUMBER	QTY	DESCRIPTION	REV
	Note		The following list will service one Machine with emergency repair parts which can be installed in the field. Parts from the list should be replaced when inventory is depleted to keep service parts stock supplied. For further information, contact your JLG Industries Parts Department. / La liste suivante indique (pour une Machine) les pièces de réparation d'urgence qui peuvent être installées sur le terrain. La quantité de pièces de cette liste doit être tenue en stock minimum. Pour de plus amples informations, contactez votre SAV JLG Industries.	~Ref
		Ref	STANDARD PARTS / PIECES STANDARD	
	310103	1	BREATHER CAP / BOUCHON-RENIFLARD	
	3740150	1	RELAY, 24VDC/100A / RELAIS, 24VDC/100A	
	2860030	1	KEY (INCLUDED IN ITEM 4360469) / CLE (COMPRISE DANS REF 4360469)	
	1001091989	1	MEMBRANE SWITCHES / INTERRUPTEURS A MEMBRANE	
	260079	1	325A FUSE / FUSIBLE 325A	
	930134	1	FILTER, CARTRIDGE,10µm / ELEMENT FILTRANT 10µm	
	7027367	1	SWITCH ENABLER / CONTACT VALIDATION	
	4360562	1	COMPLETE KNOB / ARRET D'URGENCE COMPLET	
	1001115919	1	SWITCH,PUSH BUTTON-ENABLE / B P DE VALIDATION	
	240056	1	NO CONTACT BASE / EMBASE CONTACT NO	
		Ref	VARIABLE PARTS / AUTRES PIECES	
	SE1202	1	KIT(SERVICE),DECAL PLATE AND SEAL / KIT AU&PLATINE&JOINT BOITIER BAS (Prior to SN A300058411)	
	1001223812	1	KIT(SERVICE),DECAL PLATE AND SEAL / KIT AU&PLATINE&JOINT BOITIER BAS (SN A300058411 to Present)	
	260323	1	NO/NC SWITCH PG11 / CAPTEUR NO/NF PE11	
	1001213835	1	SENSOR,TILT 2.4° / DETECTEUR DE DEVERS 2.4°	
	4000008	1	SENSOR,PROXIMITY ASSEMBLY / FAISCEAU DETECTEUR DE PROXIMITE	
	260016	2	NO/NC SWITCH PG13,PRIOR JUNE 2011 - CROUZET / CAPTEUR NO/NF PE13,AVANT JUIN 2011 - CROUZET	
	260327	2	NO/NC SWITCH PG11,JUNE 2011 TO PRESENT - TELEMECANIQUE / CAPTEUR NO/NF PE11,JUIN 2011 A AUJOURD'HUI - TELEMECANIQUE	
	PC0468	1	HARNESS, LOAD SENSING SWITCH / FAISCEAU CAPTEUR DE SURCHARGE	
	4360505	1	SWITCH,ROTARY ANGLE SENSOR / CAPTEUR D'ANGLE	
	130064	4	D8 FAST-LEAD THREAD SCREW / VIS D8 PAS RAPIDE TETE LARGE	
	1001109503	1	MULTIDISPLAY INDICATOR / AFFICHEUR MULTIFONCTION	
	4360469	1	3 POSITIONS KEY SELECTOR / SELECTEUR A CLE 3 POSITIONS	
	1600458	1	JOYSTICK / JOYSTICK	
	1001155354	1	THUMB JOYSTICK / MINI JOYSTICK	
	1001109239	1	PC BOARD PLATFORM MODULE / CARTE BOITIER HAUT PROGRAMMEE	
	260318	2	CONTROLLER,ZAPI COMBI ACO / VARIATEUR COMBI-ACO (Prior to SN A300057654)	

SECTION 11 - RECOMMENDED PARTS LIST / LISTE DE PIÈCES RECOMMANDÉES

ITEM	PART NUMBER	QTY	DESCRIPTION	REV
	1001241322	2	CONTROLLER,ZAPI COMBI ACO (SN A300057654 to Present)	
	952099	6	COIL 24VDC_3012599 / BOBINE 24VDC_3012599	
	952101	1	COIL 24VADC_3110057 / BOBINE 24VADC_3110057	

**SECTION 11 - RECOMMENDED PARTS LIST / LISTE DE PIÈCES
RECOMMANDÉES**

PART NUMBER INDEX

SECTION 11 - RECOMMENDED PARTS LIST / LISTE DE PIECES RECOMMANDEES

000003.....	10, 125	1001155462	59	1001223602	73	1001233416.....	28
000005...33, 64, 121, 123		1001157657	59	1001223607	33	1001233417.....	29
000006.....28, 29, 51, 53		1001173703	111	1001223689	16	1001235013.....	129
000007.....98		1001181045	121, 123	1001223714	73	1001238477.....	129
000008.....15, 57, 64, 73		1001187631	33	1001223717	10	1001239552.....	35, 37
000010.....119		1001192401	86	1001223759	28	1001239741.....	65
000014 11, 28, 51, 53, 55, 71, 93, 95, 98, 115		1001200910	131	1001223761	107	1001239742.....	64
000015 10, 28, 33, 51, 53, 55, 64, 93, 95, 121, 123, 125		1001208677	57, 59	1001223762	107	1001241322.....	15, 135
000016.....64, 117		1001208678	59	1001223763	107	1001241965.....	129
000017.....15, 119		1001208856	59	1001223764	107	1001245202.....	15, 23
000018.....73		1001208857	59	1001223765	106	1001245243.....	107, 108
000023.....28		1001209857	51	1001223766	93	1001246577.....	23
000026.....73		1001209858	53	1001223767	95	1001246578.....	23
000030.....64		1001209859	64	1001223769	104	1001248510.....	64
000032.....53		1001209860	49	1001223770	105	1001248511.....	64
000050.....98, 131		1001209860	49	1001223771	105	1001248513.....	64
000051.....64		1001209934	57	1001223772	105	1001248814.....	10
000059.....71		1001210672	10	1001223773	105	1001248815.....	10
000067...28, 98, 119, 123		1001210910	11	1001223774	105	1001255627.....	129
000069.....119		1001210948	33	1001223775	106	1001256013.....	129
000077.....15, 64, 117		1001211321	73	1001223776	106	1001256255.....	129
000078.....129		1001211322	71	1001223810	33, 37	1001256342.....	129
000085.....121, 131		1001211324	33	1001223811	37	1001256344.....	129
000089.....93, 95, 123		1001211358	16	1001223812	37, 134	1001256346.....	129
000090.....51, 53, 55		1001211436	106	1001223845	105	1001256347.....	129
0140011.....59		1001211437	104	1001223846	105	1001256645.....	129
0630580.....16		1001211439	85	1001223847	105	1001257047.....	129
0641406.....57		1001211440	93, 95	1001223848	105	1001257405.....	129
100005.....93, 95, 129		1001211441	117	1001223849	105	1001257409.....	129
100007.....53		1001211443	104	1001223850	105	1001257867.....	131
100008.....31		1001211444	104	1001223851	106	1001257899.....	131
100009.....15		1001213000	93, 95	1001223852	106	1001257900.....	131
100013.....15, 43, 45, 55		1001213033	93, 95	1001223853	105, 106	1001257901.....	131
100021.....11, 28		1001213260	55	1001223854	105, 106	1001258232.....	55, 64
100027.....10, 64, 129		1001213632	16	1001223855	105	1001263939.....	55
100038.....28		1001213727	85, 91	1001223856	105	100156.....	73
100051.....64, 93, 95		1001213728	85	1001223857	105	1060688.....	93, 95
100053.....15		1001213729	85	1001223858	105	1060689.....	93, 95
100054.....49, 51, 53, 55		1001213835	16, 88, 134	1001223859	106	110001.....	10, 121, 131
100063.....41		1001213900	107, 108	1001223860	106	110002.....	10, 64, 125
100091.....53		1001213957	104	1001223861	105, 106	110003 10, 15, 31, 33, 43, 45, 51, 53, 55, 64, 71, 73, 93, 95, 115, 117, 121, 123, 125, 129	
100098.....16		1001213985	93, 95	1001223862	105, 106	110004.....	41, 51, 53, 129
100102.....15		1001213986	93, 95	1001223868	28	110005.....	16, 53
100103.....15, 28		1001214029	111	1001223893	73	110008.....	15
100104.....16		1001214284	104	1001223897	73	110009.....	41
1001091989.....59, 134		1001214285	104	1001224026	108	110010.....	41
1001102189.....19		1001214313	104	1001224065	104	110015.....	64, 93, 95, 129
1001102349.....19		1001214314	104	1001225133	81	110016.....	28
1001102351.....19		1001214774	127	1001225157	81	110017.....	28
1001102353.....19		1001214777	127	1001225159	81	110019.....	41
1001102354.....19		1001215090	55	1001225530	71	110020.....	41
1001109239.....134		1001215766	55	1001225624	73	110022.....	51, 53, 55
1001109503...35, 37, 134		1001216711	71	1001225701	41	110026.....	10, 28, 64
1001114466.....16		1001220458	104	1001226413	106, 107	110040.....	10
1001115919.....59, 134		1001220459	104	1001226414	108	110041.....	64
1001117177.....59		1001220460	104	1001227848	106, 107	110042.....	93, 95
1001152692.....59		1001220619	41	1001228389	107	120002.....	64, 98, 125
1001154560.....59		1001220620	41	1001228600	104	120003.....	49
1001155328.....59		1001221234	29	1001228601	104	120004.....	10, 28, 57, 129
1001155354.....59, 134		1001221247	29	1001228972	104	120006.....	41
1001155460.....59		1001221429	29	1001231801	108	120008.....	28
		1001222935	73, 75	1001232650	129		
		1001222936	71, 81	1001232667	129		
		1001222937	73	1001233406	21, 23		

SECTION 11 - RECOMMENDED PARTS LIST / LISTE DE PIÈCES RECOMMANDEES

120009	10, 11, 16, 28, 33, 51, 53, 55, 64, 71, 93, 95, 98, 115, 117, 121, 123, 125, 127, 129	1705781	104	260327	87, 134	4460884	86, 87
120010	28, 29, 41, 53, 71, 73	1705803	106	260329	88	4460891	85, 86
120011	73	1706493	106, 107	270002	121, 123, 125	4460894	85, 88
120015	28	1706740	106, 107	270031	119	4460897	85, 87, 88
120017	41	1706764	106	270059	86	4460899	86
120024	51, 53, 55, 98, 121, 131	1706898	59	2780266	15, 19	4460917	87, 88
120030	73	180003	16	280023	51, 53	4460928	85, 86
120033	33	180009	10	2860030	35, 37, 134	4460930	85
120043	119	190027	73	300001	15	4460931	85
120054	11, 15	190072	10	300025	73, 75	4460932	86, 87
120055	16	190074	10	300034	75, 79	4460933	85
120056	10, 98	190077	93, 95	300037	73	4460943	86
120057	10	2080040	55	300040	31, 75	4460944	85, 87
120058	121	210011	121	300044	73	4460970	86
120059	123, 125	210012	121, 123	300047	75	4461076	87
120060	10, 121, 123	210018	87, 88	300061	71, 81	4461077	86
130003	31	210019	121	300101	75	4740468	19
130007	64	210021	121, 123	300161	117	4751400	57
130021	10	210065	121, 123	310091	75	4761400	57
130029	49	210066	123	310103	75, 134	500021	28
130034	28	230016	125	310109	73	500043	31
130059	35, 37	2400060	86	320049	31	510086	15, 21, 88
130062	10, 33, 59	240056	59, 134	3300423	19	520115	71, 77
130064	10, 134	240057	35, 37, 59	3340962	53, 55	520116	71, 79
130066	64	240058	59	3450406	19	7000084	59
1321293	53, 71, 98, 119, 121, 123, 125	240060	35, 37, 59	3575796	59	7000082	59
140009	41	240076	35, 37, 59	3740150	33, 134	7027365	59
140014	71	240093	121, 123	3820019	59	7027367	59, 134
140016	31	250001	119	3900357	59	7027765	59
140024	71	250026	85, 119	3900358	59	7027766	59
150002	41	250027	119	3900359	59	7364001818	125
150004	15	250031	33, 93, 95	4000007	87	8229242	86
150007	45	250060	86	4000008	87, 98, 134	8990147	51, 53, 55
150009	31	250071	123	400010	51, 53, 55, 64	920002	64
150011	43	250084	85, 119	400012	64, 93, 95	920008	64
150019	16	250089	121	400015	53	920042	65
150039	53	250090	123, 125	400018	64	920045	65
150058	16	250091	86, 121, 123	400034	93, 95	920046	65
150059	15	250135	121, 123	400037	93, 95	920073	65
150061	49	250172	119	400047	117	930134	75, 134
1580012	57	250211	93, 95	400048	51	930135	75
160010	98	250213	93, 95	400057	10	930136	75
160018	71	250227	85	400077	119	930137	79
160033	49	250230	88	400092	64	930138	75
1600458	59, 134	260006	119	400096	51, 53, 55, 64	951034	75
170008	41	260007	119	400099	53, 55, 129	951035	21
1701499	107, 108	260016	134	4031516	129	951036	21, 23
1702631	107, 108	2600281	55	4060700	125	951037	21, 23
1702773	104	260029	121	4220309	55	951038	21, 23
1703632	107, 108	260077	33	4240147	16	951039	21, 23
1703633	107, 108	260079	33, 134	4340871	59	951040	21, 23
1703785	107	260144	119	4360469	35, 37, 134	951041	21, 23
1703811	106, 107	260146	119	4360505	87, 98, 134	951043	21
1703814	106, 107	260187	121	4360562	59, 134	952094	75
1704016	106, 107	260213	123	4420051	107	952095	75
1704023	107	260214	121	4460346	125	952096	75
1704031	108	260240	35, 37	4460464	85, 86, 87, 88	952097	75
1704277	106, 107	260243	35, 37	4460465	85, 86, 87, 88	952098	75
1704885	107	260258	123	4460496	59	952099	75, 77, 79, 81, 135
		260274	88	4460497	59	952100	75
		260275	87	4460536	86, 87, 88	952101	75, 135
		260276	125	4460539	85, 86	952102	77, 79
		260318	15, 134	4460754	87	952103	79
		260321	87	4460871	85	952104	77
		260323	88, 134	4460873	85		

SECTION 11 - RECOMMENDED PARTS LIST / LISTE DE PIECES RECOMMANDEES

952105.....79	DL0865 10	SA0094..... 121	ST3413..... 71
952106.....77	DL0866 10	SA0095..... 123	ST3414..... 51, 53, 55
952107..... 77, 79, 81	DL0870 41	SA0104..... 125	ST3433..... 93, 95
952108.....75	DL0911 93, 95	SA0144..... 16	ST3434..... 93, 95
952157.....79	DL0913 51	SA0152..... 41	ST3438..... 121, 123, 125
960097.....41	DL0914 41	SD0345 98	ST3439..... 123
960098.....41	DL0915 41	SD0452 45	ST3442..... 65
960099.....15	DL0916 41	SD0453 43	ST3449..... 53
970065.....75	DL0920 53	SD0464 98	ST3471..... 10
AU0149..... 106, 107	DL0921 16	SE0730..... 41, 43	ST3472..... 11
AU1423..... 106, 107	DL0922 49	SE0731..... 41, 45	ST3696..... 11
AU1716..... 121, 123, 125	DL0927 53	SE0935..... 28, 31	ST3697..... 11
AU1825..... 104	DL0930 28	SE1137..... 98	ST3704..... 71
AU2061..... 106, 107	DL0931 41	SE1138..... 98	ST3707..... 71
AU2095..... 106	DL0932 28	SE1200..... 33, 35	ST3745..... 41
AU2097..... 106, 107	DL0933 28	SE1202..... 35, 134	ST3750..... 28
AU2098..... 106, 107	FX158-014 119	SE1214..... 41	ST3752..... 29
AU2102..... 104	KT0152 31	ST0099..... 41	ST3753..... 93
AU2103..... 106	KT0155 69	ST0736..... 51, 53	ST3775..... 35, 37
AU2105..... 107, 108	OP509..... 115	ST0763..... 51	ST3838..... 11
AU2107..... 107	OP521..... 119	ST1326..... 64	ST3841..... 11
AU2108..... 107	PA1113 104	ST1327..... 64	US0026..... 41
AU2109..... 104	PC0465 35, 37	ST1328..... 64	US0044..... 31
AU2117..... 108	PC0466 87, 115	ST1380..... 28	US0134..... 15
AU2118..... 107	PC0468 87, 98, 134	ST1403..... 10	US0190..... 15, 28
AU2119..... 108	PC0483 91	ST1404..... 10	US0204..... 98
AU2134..... 107, 108	PC0484 91	ST1969..... 117	US0208..... 98
AU2139..... 104	PC0488 86	ST1971..... 53	US0216..... 15
AU2140..... 108	PC0491 33, 88	ST2741..... 51, 53, 55	US0236..... 51, 53, 55
AU2143..... 108	PC0514 91	ST3022..... 115	US0277..... 71
AU2144..... 108	PC0515 91	ST3139..... 53	US0342..... 31
AU2145..... 108	PC0516 91	ST3155..... 35, 37	US0375..... 45
AU2147..... 108	PC0517 91	ST3158..... 15	US0377..... 43
AU2149..... 108	PC0518 91	ST3170..... 10	US0429..... 31
AU2150..... 108	PC0520 91	ST3171..... 10	US0470..... 53
AU2152..... 108	PC0524 86	ST3216..... 65	US0475..... 43
AU2154..... 108	PC0526 87	ST3219..... 65	US0479..... 45
AU2155..... 108	PC0527 87, 98	ST3226..... 98	US0481..... 41
AU2159..... 108	PC0528 119	ST3227..... 98	US0492..... 41
AU2160..... 108	PC0531 53	ST3235..... 11	US0523..... 15
AU2161..... 108	PC0534 11, 88	ST3312..... 60	US0528..... 15
AU2207..... 35	PC0550 91	ST3315..... 10	US0529..... 15
AU2215.. 93, 95, 107, 108	PC0604 86	ST3316..... 10	US0530..... 15
AU2228..... 33	PC0606 60	ST3318..... 73	US0531..... 15, 49
AU2229..... 107, 108	SA0001 15	ST3327..... 10	US0532..... 16
DF0002..... 69	SA0002 15	ST3328..... 10	US0538..... 41
DF0050..... 69	SA0009 16	ST3329..... 10	US0548..... 28
DF0981..... 69	SA0020 57	ST3330..... 10	US0549..... 53
DF0982..... 69	SA0082 11	ST3332..... 15	US0600..... 41
DF0983..... 69	SA0083 28	ST3333..... 41	US0601..... 49
DF0984..... 69	SA0088 98	ST3375..... 10	US0602..... 41
DF0986..... 117	SA0089 28	ST3376..... 10	
DL0819..... 15	SA0093 121	ST3377..... 10, 28	



31210229



An Oshkosh Corporation Company

Corporate Office
JLG Industries, Inc.
1 JLG Drive
McConnellsburg, PA 17233-9533 USA
☎ **(717) 485-5161 (Corporate)**
☎ **(877) 554-5438 (Customer Support)**
☎ **(717) 485-6417**

Visit our website for JLG Worldwide Locations.
www.jlg.com