



Illustrated Parts Manual *Manuel de pièces détachées*

MODEL / MODELE

TOUCAN 10E

PRIOR/AVANT A300037517 Except A300037483
AND/ET A300090000 THROUGH/A A300091266
AND/ET E300000000 THROUGH/A E300001504
AND/ET 1300000000 THROUGH/A 1300007042

TOUCAN 26E

PRIOR/AVANT A300058272

ANSI **CE**



AS



31210091

January 29, 2019



An Oshkosh Corporation Company

Original issue	February 16, 2009	
Revised	November 10, 2009	Manual slewing/UCB/Circuit breaker ...
Revised	July 30, 2010	T26E integration
Revised	May 09, 2011	Cylinders-switches, earth and Australia
Revised	June 29, 2012	Decals install, Beacon, Medias
Revised	March 05, 2014	UCB Spacer
Revised	November 03, 2014	0010719_F / Covers, Manual descent
Revised	February 01, 2015	0010719_G
Revised	July 13, 2017	ADD Belgium and Romania S/N
Revised	January 29, 2019	Update circular track

TABLE OF CONTENTS

SECTION 1 - COVERS INSTALL / INSTALLATION CAPOTS	7
FIGURE 1-1. HOODS INSTALL / INSTALLATION CAPOTS (26E Prior to SN A300052839; 10E Prior to SN A300036670, SN A300090000 through A300091266, SN E300000000 through E300001504, SN 1300000000 through 1300007042)	8
FIGURE 1-2. HOODS INSTALL / INSTALLATION CAPOTS (10E SN A300036670 through A300037516; 26E SN A300052839 to Present)	14
FIGURE 1-3. GROUND CONTROL PANEL / FACADE BOITIER BAS (Prior to SN A300036845, SN A300090000 through A300091266, SN E300000000 through E300001504, SN 1300000000 through 1300007042)	20
FIGURE 1-4. GROUND CONTROL PANEL / FACADE BOITIER BAS (SN A300053023 to Present)	22
SECTION 2 - FRAME INSTALL / INSTALLATION CHASSIS	25
FIGURE 2-1. FRAME INSTALL / INSTALLATION CHASSIS	26
FIGURE 2-2. STEERING WHEEL HUB / MOYEU ROUE DIRECTRICE	30
FIGURE 2-3. DRIVE GEAR MOTOR / MOTOREDUCTEUR DE ROUE	32
SECTION 3 - MAST 1 INSTALL / INSTALLATION MAT 1	35
FIGURE 3-1. MAST 1 INSTALL / INSTALLATION MAT 1	36
SECTION 4 - MASTS AND BOOM INSTALL / INSTALLATION MATS ET BRAS	39
FIGURE 4-1. MASTS AND BOOM INSTALL / INSTALLATION MATS ET BRAS	40
FIGURE 4-2. LL10-44 PULEY ASSEMBLY / ASSEMBLAGE SUPPORT POULIE	44
FIGURE 4-3. LL12-66 PULEY ASSEMBLY / ASSEMBLAGE SUPPORT POULIE	46
SECTION 5 - PLATFORM INSTALL / INSTALLATION PLATE-FORME	49
FIGURE 5-1. COMPLETE PLATFORM INSTALL WITH LSS / INSTALLATION COMPLETE PLATE-FORME AVEC SURCHARGE	50
FIGURE 5-2. COMPLETE PLATFORM INSTALL WITHOUT LSS / INSTALLATION COMPLETE PLATE-FORME SANS SURCHARGE	54
FIGURE 5-3. PLATFORM CONSOLE ASSEMBLY / ASSEMBLAGE BOITIER HAUT	56
SECTION 6 - POWER TRACKS AND CLAMPS / CHAINES PORTE-CABLES	59
FIGURE 6-1. POWER TRACKS AND CLAMPS INSTALL (T10E) / INSTALLATION CHAINES PORTE-CABLES (T10E) (SN A300090000 through A300090271)	60
FIGURE 6-2. POWER TRACKS AND CLAMPS INSTALL / INSTALLATION CHAINES PORTE-CABLES (10E Except SN A300090000 through A300090271)	64
SECTION 7 - HYDRAULIC INSTALL / INSTALLATION HYDRAULIQUE	69
FIGURE 7-1. HOSES KIT DIAGRAM / SCHEMA KIT FLEXIBLES	70
FIGURE 7-2. CONTROL VALVES INSTALL / INSTALLATION DISTRIBUTEURS	72
FIGURE 7-3. 24VDC 3KW PUMP-MOTOR-TANK / GROUPE HYDRAULIQUE	76
FIGURE 7-4. MAST CYLINDER HOLDING VALVE WITH FLOW REGULATOR / DISTRIBUTEUR VERIN MAT AVEC REGULATEUR DE DEBIT	78
FIGURE 7-5. JIB CYLINDER HOLDING VALVE WITH FLOW REGULATOR / DISTRIBUTEUR VERIN BRAS AVEC REGULATEUR DE DEBIT	80
SECTION 8 - ELECTRICAL SYSTEM INSTALL / INSTALLATION ELECTRIQUE	83
FIGURE 8-1. CABLE INSTALL DIAGRAM / DIAGRAMME D'INSTALLATION CABLES	84
FIGURE 8-2. BATTERY AND CHARGER INSTALL / INSTALLATION BATTERIE ET CHARGEUR	92
FIGURE 8-3. BATTERY COMPONENTS / COMPOSANTS BATTERIE	96
FIGURE 8-4. GEL BATTERY AND CHARGER 230V INSTALL / INSTALLATION GEL BATTERIE ET CHARGEUR 230V	98
FIGURE 8-5. SWITCHES AND COVERS INSTALL / INSTALLATION CAPTEURS	100
SECTION 9 - DECALS INSTALL / INSTALLATION AUTOCOLLANTS	103
FIGURE 9-1. DECALS KITS / JEUX AUTOCOLLANTS	104
SECTION 10 - OPTIONS / OPTIONS	113
FIGURE 10-1. MOTION ALARM INSTALL / INSTALLATION ALARME DE MOUVEMENT	114
FIGURE 10-2. WORKING LIGHT INSTALL / INSTALLATION PHARE DE TRAVAIL	116

TABLE OF CONTENTS

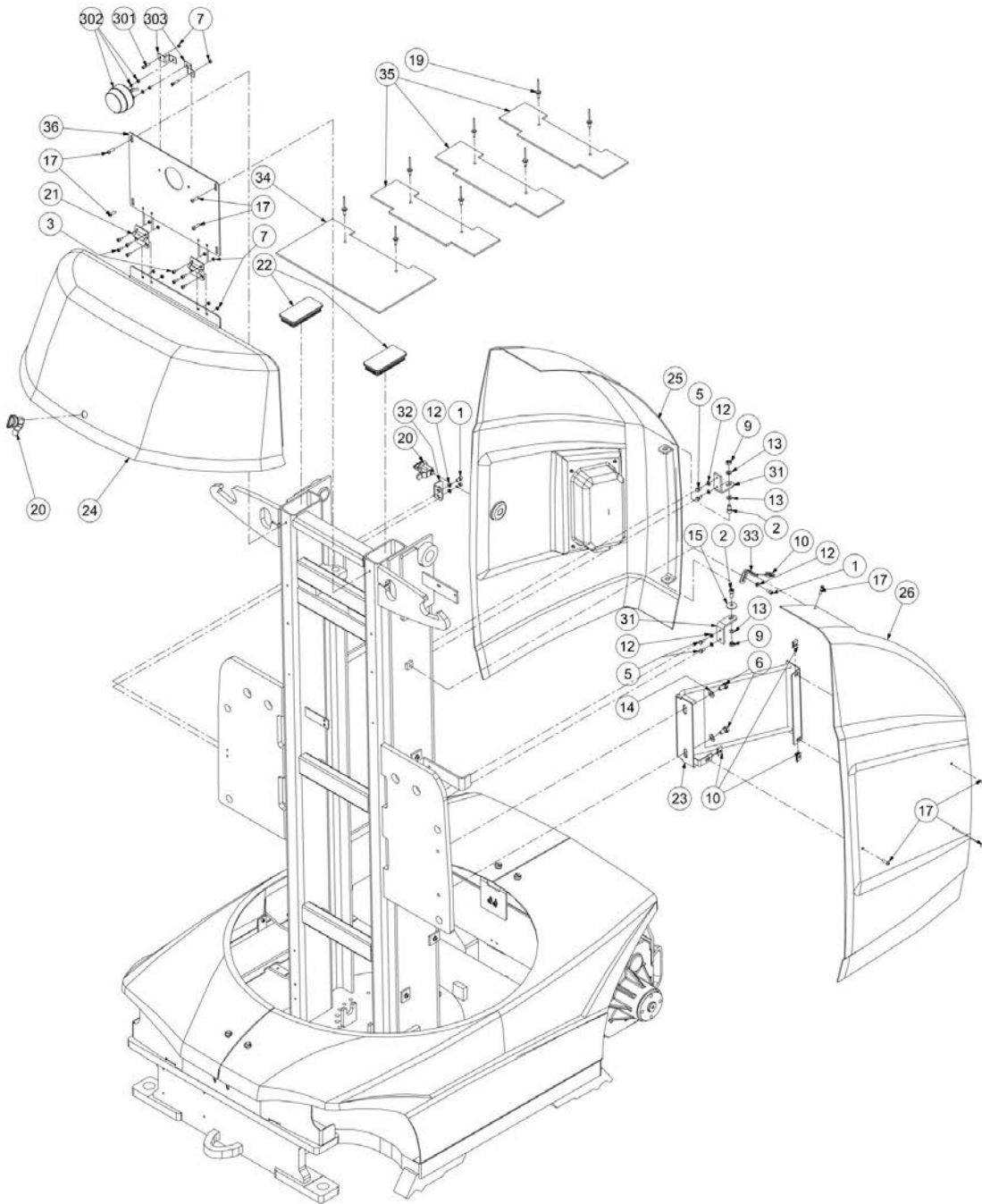
FIGURE 10-3. AIR LINE INSTALL / INSTALLATION AIR COMPRIME	118
FIGURE 10-4. 230V PLATFORM SOCKET INSTALL / INSTALLATION PRISE PLATE-FORME 230V.....	120
FIGURE 10-5. 115V (IEC 60309-YELLOW) PLATFORM SOCKET INSTALL / INSTALLATION PRISE PLATE-FORME 115V (CEI 60309-JAUNE)	122
FIGURE 10-6. 115V (GFI - US) PLATFORM SOCKET INSTALL / INSTALLATION PRISE PLATE-FORME 115V (GFI - US)....	124
SECTION 11 - RECOMMENDED PART LIST / LISTE DE PIECES RECOMMANDEES.....	127
FIGURE 11-1. STANDARD PARTS / PIECES STANDARD	128
PART NUMBER INDEX.....	131

SECTION 1 - COVERS INSTALL / INSTALLATION CAPOTS

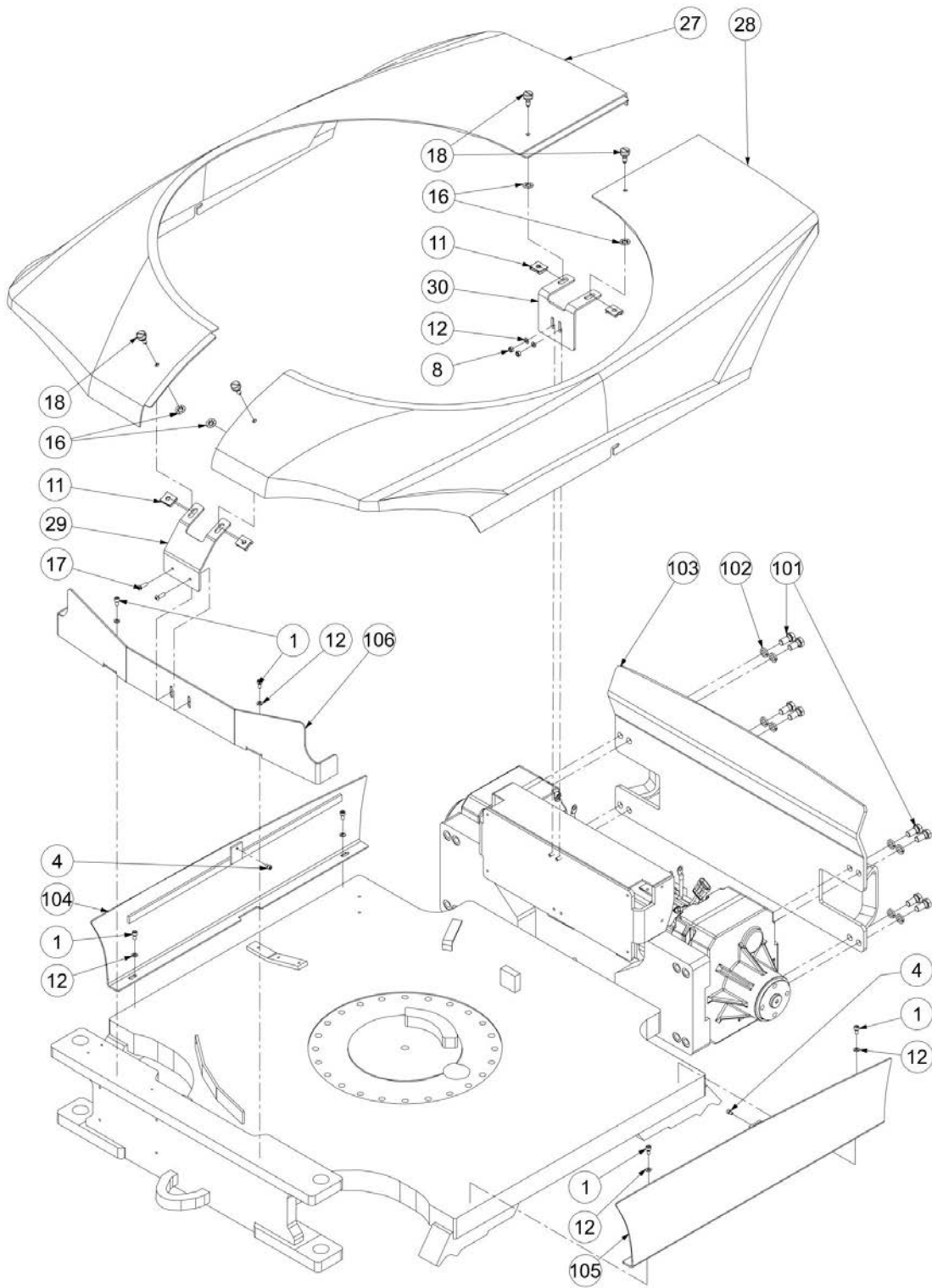
SECTION 1 - COVERS INSTALL / INSTALLATION CAPOTS

SECTION 1 - COVERS INSTALL / INSTALLATION CAPOTS

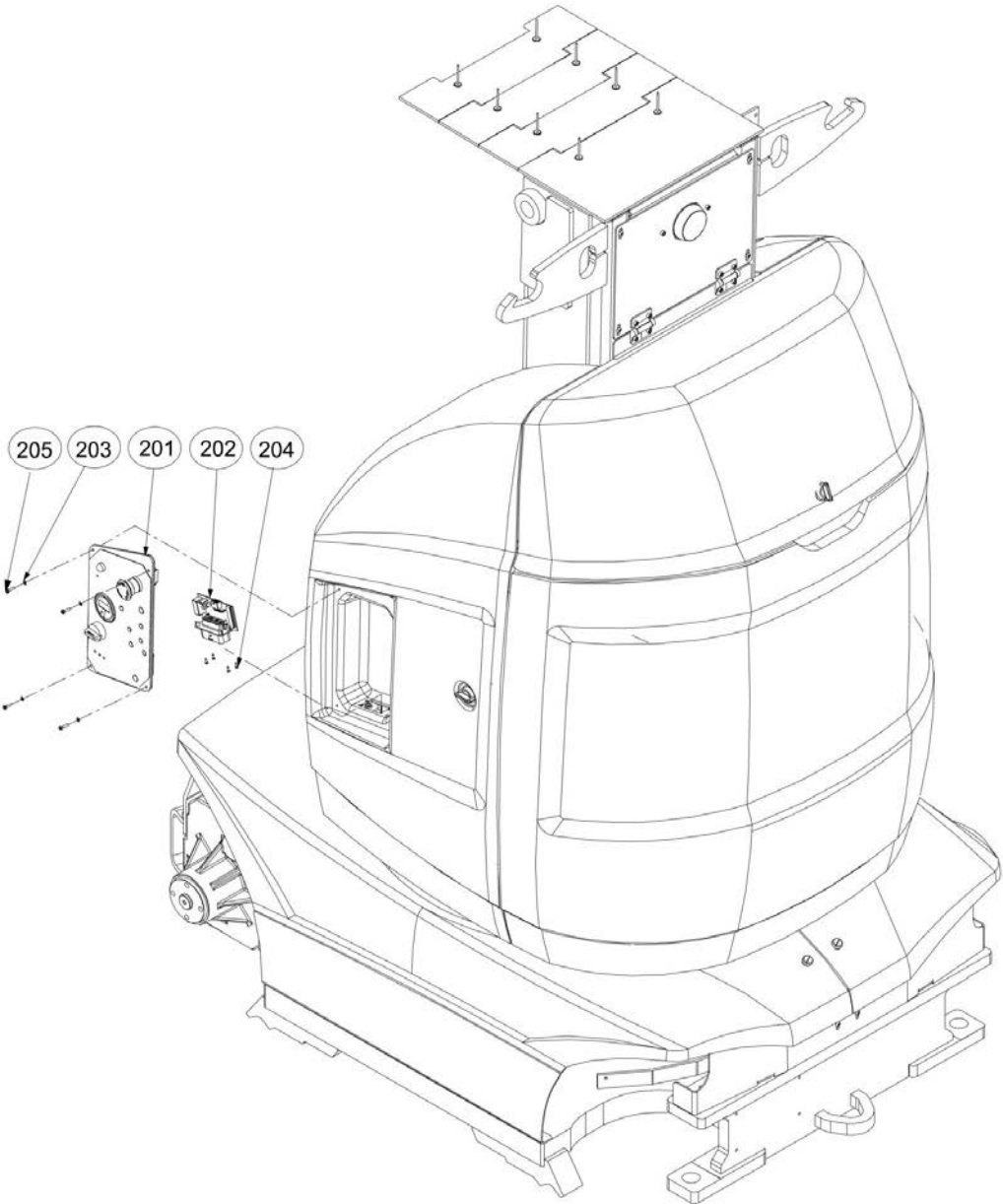
FIGURE 1-1. HOODS INSTALL / INSTALLATION CAPOTS (26E Prior to SN A300052839; 10E Prior to SN A300036670, SN A300090000 through A300091266, SN E300000000 through E300001504, SN 1300000000 through 1300007042)



SECTION 1 - COVERS INSTALL / INSTALLATION CAPOTS



SECTION 1 - COVERS INSTALL / INSTALLATION CAPOTS



SECTION 1 - COVERS INSTALL / INSTALLATION CAPOTS

FIGURE 1-1. HOODS INSTALL / INSTALLATION CAPOTS (26E Prior to SN A300052839; 10E Prior to SN A300036670, SN A300090000 through A300091266, SN E300000000 through E300001504, SN 1300000000 through 1300007042)

ITEM	PART NUMBER	QTY	DESCRIPTION	REV
		Ref	COVERS INSTALL; INFO - SP0936 / INSTALLATION CAPOTS; INFO - SP0936 (26E Prior to SN A300052839; 10E Prior to SN A300036670, SN A300090000 through A300091266, SN E300000000 through E300001504, SN 1300000000 through 1300007042)	B
0	SA0018	Ref	T10E HOODS INSTALL / T10E - INSTALLATION CAPOTS (Prior to SN A300036670, SN A300090000 through A300091266, SN E300000000 through E300001504, SN 1300000000 through 1300007042)	B
0	SA0035	Ref	T26E HOODS INSTALL / T26E - INSTALLATION CAPOTS (Prior to SN A300052839)	B
1	000014	3	M06x12 8.8 SOCKET HEAD MACH SCREW / VIS CHC M06x12 8.8 BI FT	
2	000018	2	M08x16 8.8 SOCKET HEAD MACH SCREW / VIS CHC M08x16 8.8 BI FT	
3	000067	8	M05x12 8.8 SOCKET HEAD MACH SCREW / VIS CHC M05x12 8.8 BI FT	
4	000089	2	M05x08 8.8 SOCKET HEAD MACH SCREW / VIS CHC M05x08 8.8 BI FT	
5	100027	4	M06x12 8.8 HEX HEAD MACHINE SCREW / VIS H M06x12 8.8 BI FT	
6	100156	2	M10x20 8.8 HEX HEAD MACHINE SCREW / VIS H M10x20 8.8 BI FT	
7	110002	8	M05 GR08 LOCK NUT / ECROU FREIN M5 CL08 BI	
8	110003	2	M06 GR08 LOCK NUT / ECROU FREIN M6 CL08 BI	
9	110004	2	M08 GR08 LOCK NUT / ECROU FREIN M8 CL08 BI	
10	110026	4	M06 CAGE HEX NUT / ECROU CAGE M06	
11	110040	4	D8 CAGE HEX NUT / ECROU CAGE D8	
12	120009	9	dD 06x14 LOCK WASHER / RONDELLE CONTACT dD 06x14 BI	
13	120010	3	dD 08x18 LOCK WASHER / RONDELLE CONTACT dD 08x18 BI	
14	120011	2	dD 10x22 LOCK WASHER / RONDELLE CONTACT dD 10x22 BI	
15	120042	1	dDh 8.4x30x1.5 WASHER / RONDELLE dDh 8.4x30x1.5	
16	120057	4	D8 RETAINING WASHER / RONDELLE DE RETENUE D8	
17	130021	10	M06x20 8.8 ROUND HEAD MACH SCREW / VIS BOMBEE ULF M06x20 8.8 BI FT	
18	130064	4	D8 FAST-LEAD THREAD SCREW / VIS D8 PAS RAPIDE TETE LARGE	
19	180009	8	Ø5x16 LARGE HEAD POP RIVET / RIVET POP TETE LARGE Ø5x16	
20	190072	2	COMPRESSION LATCH / LOQUET A COMPRESSION	
21	190074	2	FRICTION HINGE / CHARNIERE A FRICTION	
22	400057	2	CAP / EMBOUT NOIR	
23	DL0823	1	LEFT HOOD SUPPORT / SUPPORT CAPOT GAUCHE	
24	ST3114	1	HOOD, BATTERY / CAPOT BATTERIE	
25	ST3115	1	HOOD, MAST RIGHT / CAPOT MAT DROIT	
26	ST3116	1	HOOD, MAST LEFT / CAPOT MAT GAUCHE	
27	ST3117	1	HOOD, T10E FRAME RIGHT / T10E - CAPOT CHASSIS DROIT (Prior to SN A300036670, SN A300090000 through A300091266, SN E300000000 through E300001504, SN 1300000000 through 1300007042)	B
27	ST3315	1	HOOD, T26E FRAME RIGHT / T26E - CAPOT CHASSIS DROIT	B

SECTION 1 - COVERS INSTALL / INSTALLATION CAPOTS

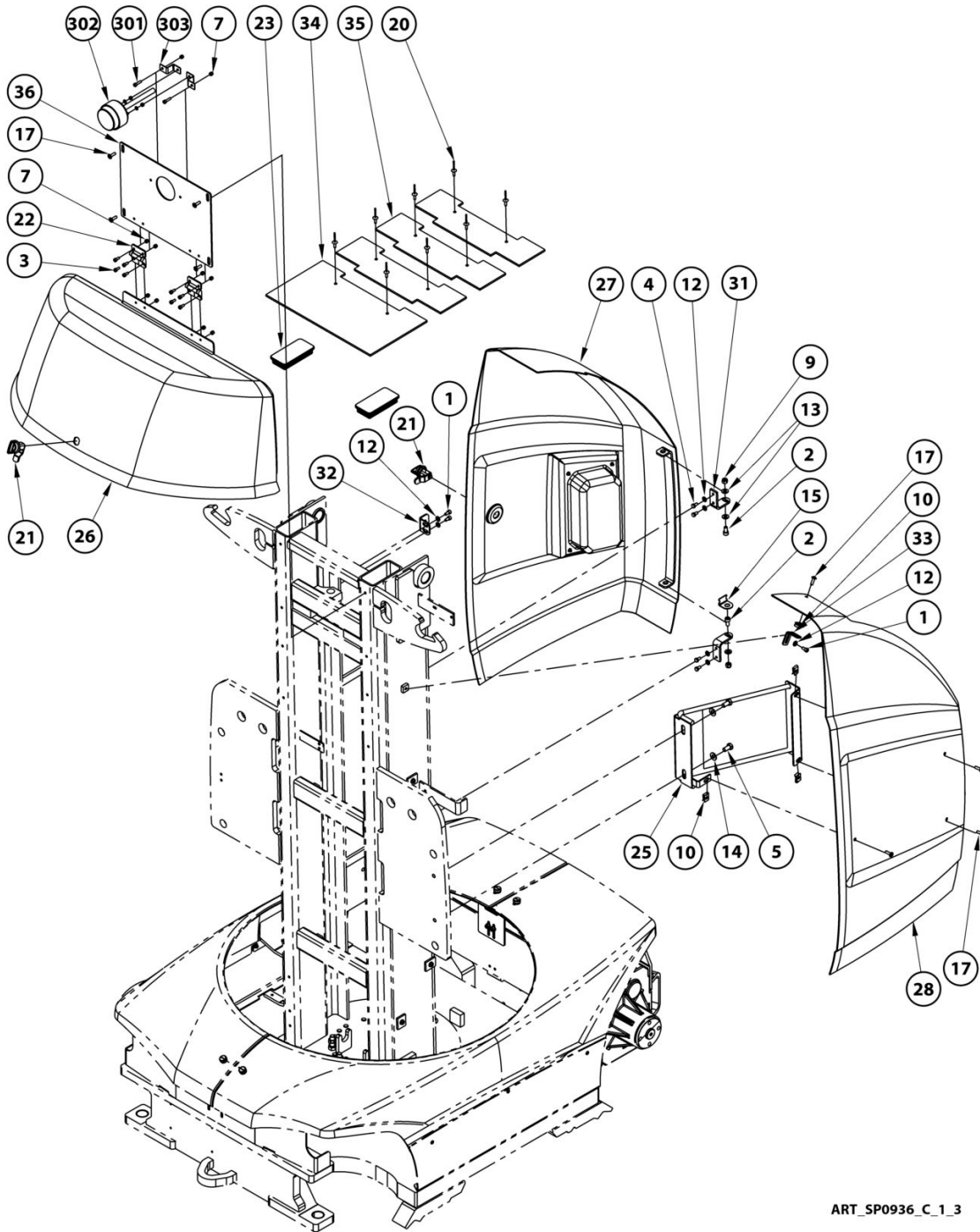
ITEM	PART NUMBER	QTY	DESCRIPTION	REV
28	ST3118	1	HOOD, T10E FRAME LEFT / T10E - CAPOT CHASSIS GAUCHE (Prior to SN A300036670, SN A300090000 through A300091266, SN E300000000 through E300001504, SN 1300000000 through 1300007042)	B
28	ST3316	1	HOOD, T26E FRAME LEFT / T26E - CAPOT CHASSIS GAUCHE	B
29	ST3170	1	FRONT HOOD SUPPORT / SUPPORT AVANT CAPOT	
30	ST3171	1	REAR HOOD SUPPORT / SUPPORT ARRIERE CAPOT	
31	ST3172	2	RIGHT HOOD BRACKET / EQUERRE SUPPORT CAPOT DROIT	
32	ST3173	1	LATCH BRACKET / EQUERRE VERROU	
33	ST3174	1	LEFT HOOD BRACKET / EQUERRE SUPPORT CAPOT GAUCHE	
34	ST3175	1	MAST COVER / COUVRE MAT	
35	ST3176	3	MAST COVER / COUVRE MAT	
36	ST3177	1	MAST 1 TOP PANEL / OBTURATEUR MAT 1	
100	SA0017	Ref	INSTALL, T10E FRAME SHIELDS / T10E - INSTALLATION TOLES DE CHASSIS	B
100	SA0031	Ref	INSTALL, T26E FRAME SHIELDS / T26E - INSTALLATION TOLES DE CHASSIS	B
1	000014	6	M06x12 8.8 SOCKET HEAD MACH SCREW / VIS CHC M06x12 8.8 BI FT	
12	120009	6	dD 06x14 LOCK WASHER / RONDELLE CONTACT dD 06x14 BI	
101	100021	8	M12x25 8.8 HEX HEAD MACHINE SCREW / VIS H M12x25 8.8 BI FT	
102	120054	8	HELICAL SPRING LOCK WASHER Ø12 / RONDELLE GROWER Ø12 BI	
103	DL0831	1	SHIELD, T10E FRAME REAR / T10E - TOLE ARRIERE CHASSIS	B
103	DL0855	1	SHIELD, T26E FRAME REAR / T26E - TOLE ARRIERE CHASSIS	B
104	DL0832	1	SHIELD, T10E FRAME RIGHT / T10E - CARTER DROIT CHASSIS (Prior to SN A300036670, SN A300090000 through A300091266, SN E300000000 through E300001504, SN 1300000000 through 1300007042)	B
104	DL0853	1	SHIELD, T26E FRAME RIGHT / T26E - CARTER DROIT CHASSIS (Prior to SN A300052839)	B
105	DL0833	1	SHIELD, T10E FRAME LEFT / T10E - CARTER GAUCHE CHASSIS (Prior to SN A300036670, SN A300090000 through A300091266, SN E300000000 through E300001504, SN 1300000000 through 1300007042)	B
105	DL0854	1	SHIELD, T26E FRAME LEFT / T26E - CARTER GAUCHE CHASSIS (Prior to SN A300052839)	B
106	ST3235	1	SHIELD, T10E FRAME FRONT / T10E - CARTER AVANT CHASSIS	B
106	ST3319	1	SHIELD, T26E FRAME FRONT / T26E - CARTER AVANT CHASSIS	B
200	SA0016	Ref	INSTALL, GROUND CONSOLE / INSTALLATION BOITIER BAS	C
201	SE0924	1	GROUND CONTROL PANEL; INFO - See SE0924 / FACADE BOITIER BAS; INFO - Voir SE0924	
202	290066	1	INTERFACE BOARD LCB / CARTE INTERFACE BOITIER BAS	
203	120033	4	M4 PLASTIC WASHER / RONDELLE PLASTIQUE M4	
204	1001210948	4	SCREW, TORX D3xL8 FOR THERMOPLASTIC / VIS TORX D3xL8 POUR THERMOPLASTIQUE	C
205	130062	4	M04x16 8.8 ROUND HEAD MACH SCREW / VIS BOMBEE ULF M04x16 8.8 BI FT	
300	SA0021	Ref	INSTALL, BEACON / INSTALLATION FEU A ECLATS	
7	110002	2	M05 GR08 LOCK NUT / ECROU FREIN M5 CL08 BI	

SECTION 1 - COVERS INSTALL / INSTALLATION CAPOTS

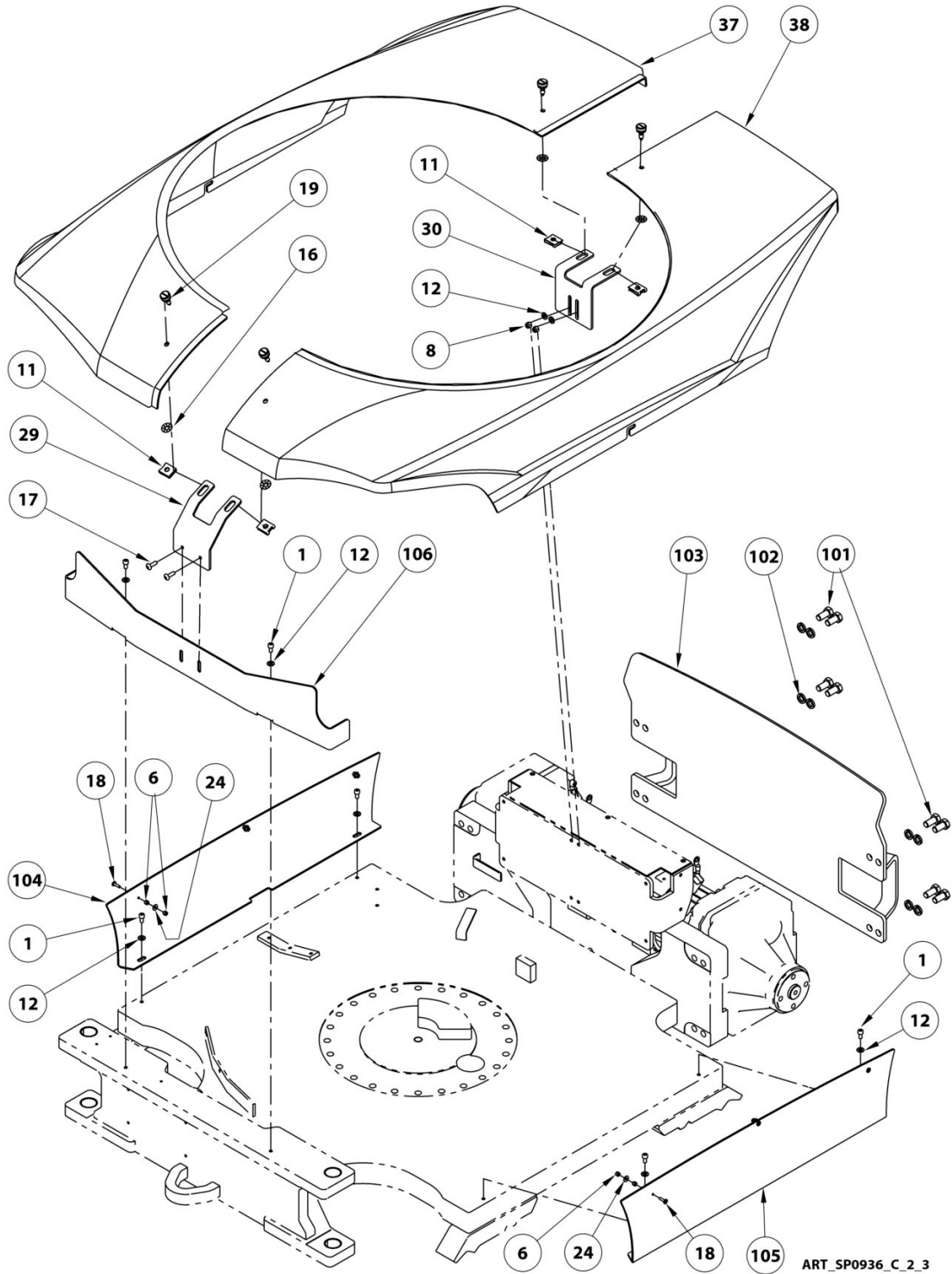
ITEM	PART NUMBER	QTY	DESCRIPTION	REV
301	000010	2	M05x20 8.8 SOCKET HEAD MACH SCREW / VIS CHC M05x20 8.8 BI FT	
302	PC0477	1	PRIOR JUNE 2012 - HARNESS, BEACON / AVANT JUIN 2012 - FAISCEAU FEU A ECLATS	B
302	PC0534	1	JUNE 2012 TO PRESENT - HARNESS, BEACON / DEPUIS JUIN 2012 - FAISCEAU FEU A ECLATS	B
303	ST2713	2	PRIOR JUNE 2012 - BRACKET / AVANT JUIN 2012 - CRAPAUD	B
303	ST3598	2	JUNE 2012 TO PRESENT - BRACKET / DEPUIS JUIN 2012 - CRAPAUD	B

SECTION 1 - COVERS INSTALL / INSTALLATION CAPOTS

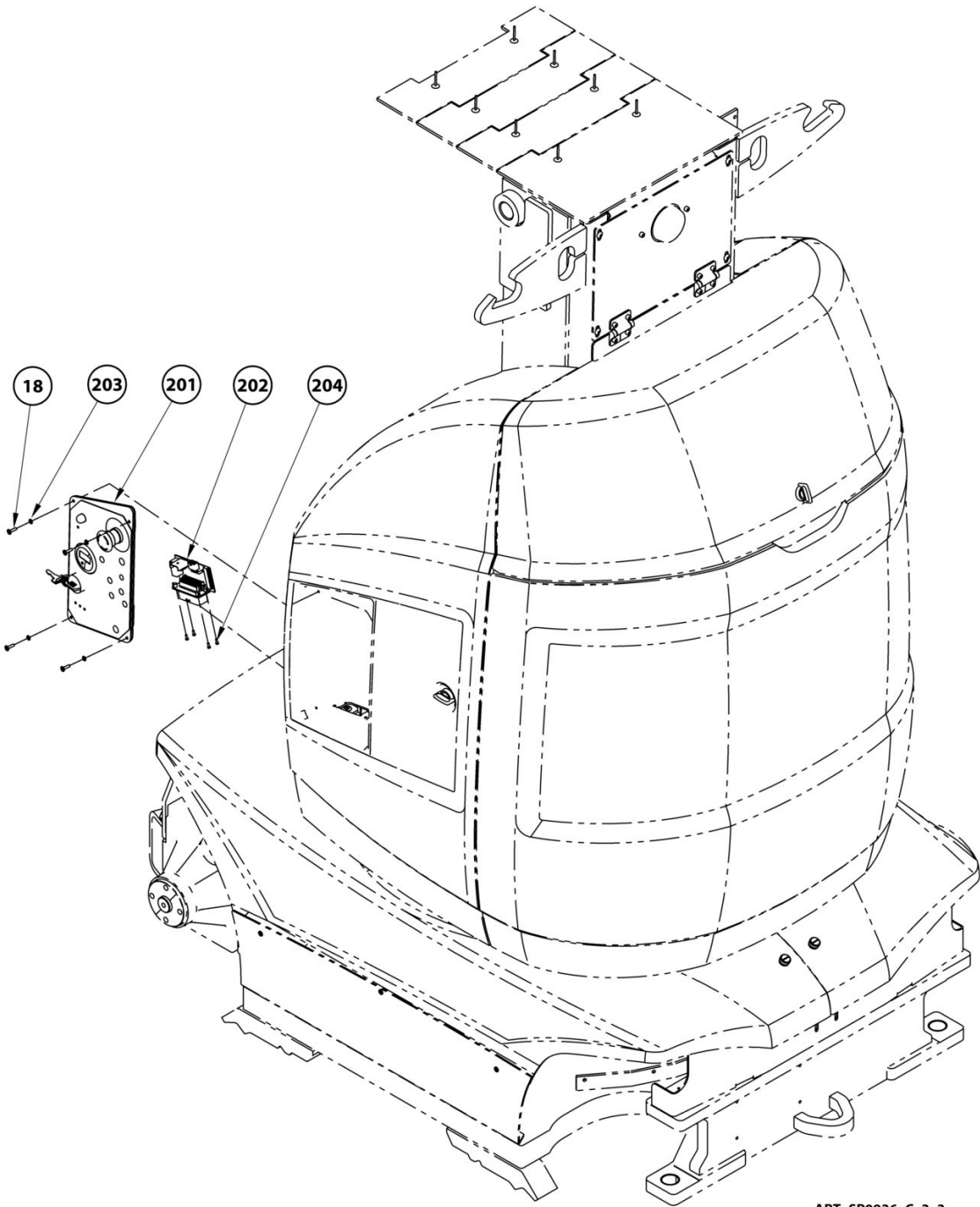
FIGURE 1-2. HOODS INSTALL / INSTALLATION CAPOTS (10E SN A300036670 through A300037516;
26E SN A300052839 to Present)



SECTION 1 - COVERS INSTALL / INSTALLATION CAPOTS



SECTION 1 - COVERS INSTALL / INSTALLATION CAPOTS



ART_SP0936_C_3_3

SECTION 1 - COVERS INSTALL / INSTALLATION CAPOTS

**FIGURE 1-2. HOODS INSTALL / INSTALLATION CAPOTS (10E SN A300036670 through A300037516;
26E SN A300052839 to Present)**

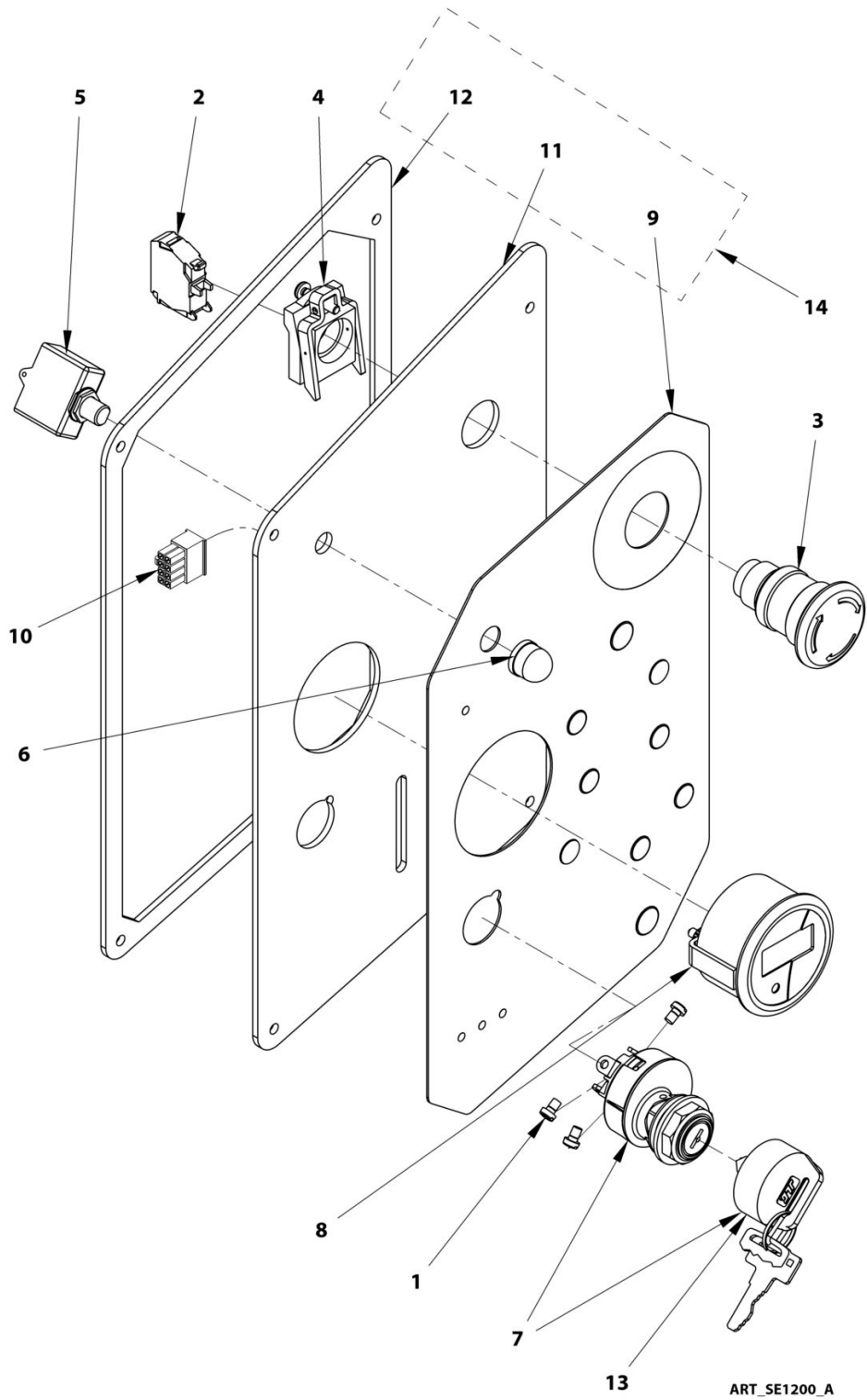
ITEM	PART NUMBER	QTY	DESCRIPTION	REV
		Ref	COVERS INSTALL; INFO - SP0936 / INSTALLATION CAPOTS; INFO - SP0936 (10E SN A300036670 through A300037516; 26E SN A300052839 to Present)	C
0	SA0035	Ref	COVERS INSTALL / INSTALLATION CAPOTS	C
1	000014	3	M06x12 8.8 SOCKET HEAD MACH SCREW / VIS CHC M06x12 8.8 BI FT	
2	000018	2	M08x16 8.8 SOCKET HEAD MACH SCREW / VIS CHC M08x16 8.8 BI FT	
3	000067	8	M05x12 8.8 SOCKET HEAD MACH SCREW / VIS CHC M05x12 8.8 BI FT	
4	100027	4	M06x12 8.8 HEX HEAD MACHINE SCREW / VIS H M06x12 8.8 BI FT	
5	100156	2	M10x20 8.8 HEX HEAD MACHINE SCREW / VIS H M10x20 8.8 BI FT	
6	110001	12	M04 GR. 8.8 LOCK NUT / ECROU FREIN M4 CL08 BI	C
7	110002	8	M05 GR. 8.8 LOCK NUT / ECROU FREIN M5 CL08 BI	
8	110003	2	M06 GR. 8.8 LOCK NUT / ECROU FREIN M6 CL08 BI	
9	110004	2	M08 GR. 8.8 LOCK NUT / ECROU FREIN M8 CL08 BI	
10	110026	4	M06 CAGE HEX NUT / ECROU CAGE M06	
11	110040	4	D8 CAGE HEX NUT / ECROU CAGE D8	
12	120009	9	LOCK WASHER D06x14 / RONDELLE CONTACT dD 06x14 BI	
13	120010	3	LOCK WASHER D08x18 / RONDELLE CONTACT dD 08x18 BI	
14	120011	2	LOCK WASHER D10x22 / RONDELLE CONTACT D10x22 BI	
15	ST3790	1	PLATE,CLIP / SUPPORT CABLE	
16	120057	4	D8 RETAINING WASHER / RONDELLE DE RETENUE D8	
17	130021	10	M06x20 8.8 ROUND HEAD MACH SCREW / VIS BOMBEE ULF M06x20 8.8 BI FT	
18	130062	6	M04x16 8.8 ROUND HEAD MACH SCREW / VIS BOMBEE ULF M04x16 8.8 BI FT	C
19	130064	4	D8 FAST-LEAD THREAD SCREW / VIS D8 PAS RAPIDE TETE LARGE	
20	180009	8	Ø5x16 LARGE HEAD POP RIVET / RIVET POP TETE LARGE D5x16	
21	190072	2	COMPRESSION LATCH / LOQUET A COMPRESSION	
22	190074	2	FRICTION HINGE / CHARNIERE A FRICTION	
23	400057	2	CAP / EMBOUT NOIR	
24	1001091102	6	WASHERFLAT METRIC (CODED), / RONDELLE LARGE D4	C
25	DL0823	1	SUPPORT,LEFT HOOD / SUPPORT CAPOT GAUCHE	
26	ST3114	1	HOOD, BATTERY / CAPOT BATTERIE	
27	ST3115	1	HOOD, MAST RIGHT / CAPOT MAT DROIT	
28	ST3116	1	HOOD, MAST LEFT / CAPOT MAT GAUCHE	
29	ST3170	1	SUPPORT,FRONT HOODS / SUPPORT AVANT CAPOT	
30	ST3171	1	SUPPORT,REAR HOODS / SUPPORT ARRIERE CAPOT	
31	ST3172	2	BRACKET,HOOD SUPPORT / EQUERRE SUPPORT CAPOT DROIT	
32	ST3173	1	PLATE,LATCH BRACKET / EQUERRE VERROU	
33	ST3174	1	BRACKET,HOOD SUPPORT / EQUERRE SUPPORT CAPOT GAUCHE	
34	ST3175	1	CAP,MAST TOP / COUVRE MAT	
35	ST3176	3	CAP,MAST TOP / COUVRE MAT	

SECTION 1 - COVERS INSTALL / INSTALLATION CAPOTS

ITEM	PART NUMBER	QTY	DESCRIPTION	REV
36	ST3177	1	PLATE,MAST 1 TOP PANEL / OBTURATEUR MAT 1	
37	ST3315	1	HOOD,FRAME RIGHT / CAPOT CHASSIS DROIT	C
38	ST3316	1	HOODS, FRAME LEFT / CAPOT CHASSIS GAUCHE	C
100	SA0017	Ref	INSTALL,FRAME SHIELDS / INSTALLATION TOLES DE CHASSIS	
100	SA0031	Ref	INSTALL,FRAME SHIELDS / INSTALLATION TOLES DE CHASSIS	
1	000014	6	M06x12 8.8 SOCKET HEAD MACH SCREW / VIS CHC M06x12 8.8 BI FT	
12	120009	6	LOCK WASHER D06x14 / RONDELLE CONTACT dD 06x14 BI	
101	100021	8	M12x25 8.8 HEX HEAD MACHINE SCREW / VIS H M12x25 8.8 BI FT	
102	120054	8	HELICAL SPRING LOCK WASHER Ø12 / RONDELLE GROWER D12 BI	
103	DL0831	1	T10E-SHIELD,REAR FRAME / T10E-TOLE ARRIERE CHASSIS	
103	DL0855	1	T26E-SHIELD,REAR FRAME / T26E-TOLE ARRIERE CHASSIS	
104	ST3696	1	PLATE,FRAME RIGHT SHIELD / CARTER DROIT CHASSIS	C
105	ST3697	1	PLATE,FRAME LEFT SHIELD / CARTER GAUCHE CHASSIS	C
106	ST3235	1	T10E-SHIELD,FRONT FRAME / T10E-CARTER AVANT CHASSIS	
106	ST3319	1	T26E-SHIELD,FRONT FRAME / T26E-CARTER AVANT CHASSIS	
200	SA0016	Ref	INSTALL,GROUND CONSOLE / INSTALLATION BOITIER BAS	C
18	130062	4	M04x16 8.8 ROUND HEAD MACH SCREW / VIS BOMBEE ULF M04x16 8.8 BI FT	
201	SE0924	1	ASSEMBLY,GROUND CONTROL PANEL / FACADE BOITIER BAS (26E Prior to SN A300053023; 10E Prior to SN A300036845, SN A300090000 through A300091266, SN E300000000 through E300001504, SN 1300000000 through 1300007042)	C
201	SE1200	1	ASSEMBLY,GROUND CONTROL PANEL / FACADE BOITIER BAS (10E SN A300036845 through A300037516; 26E SN A300053023 to Present)	C
202	290066	1	INTERFACE BOARD LCB / CARTE INTERFACE BOITIER BAS (26E Prior to SN A300053023; 10E Prior to SN A300036845, SN A300090000 through A300091266, SN E300000000 through E300001504, SN 1300000000 through 1300007042)	C
202	1001187631	1	INTERFACE BOARD LCB / CARTE INTERFACE BOITIER BAS (10E SN A300036845 through A300037516; 26E SN A300053023 to Present)	C
203	120033	4	M04 PLASTIC WASHER / RONDELLE PLASTIQUE M4	
204	1001210948	4	SCREW,TORX D3xL8 FOR THERMOPLASTIC / VIS TORX D3xL8 POUR THERMOPLASTIQUE	
300	SA0021	Ref	INSTALL, BEACON / INSTALLATION FEU A ECLATS	
7	110002	2	M05 GR. 8.8 LOCK NUT / ECROU FREIN M5 CL08 BI	
301	000010	2	M05x20 8.8 SOCKET HEAD MACH SCREW / VIS CHC M05x20 8.8 BI FT	
302	PC0534	1	HARNESS,BEACON / FAISCEAU FEU A ECLATS	
303	ST3598	2	BRACKET,BEACON SUPPORT / CRAPAUD	

SECTION 1 - COVERS INSTALL / INSTALLATION CAPOTS

FIGURE 1-3. GROUND CONTROL PANEL / FACADE BOITIER BAS (Prior to SN A300036845, SN A300090000 through A300091266, SN E300000000 through E300001504, SN 1300000000 through 1300007042)



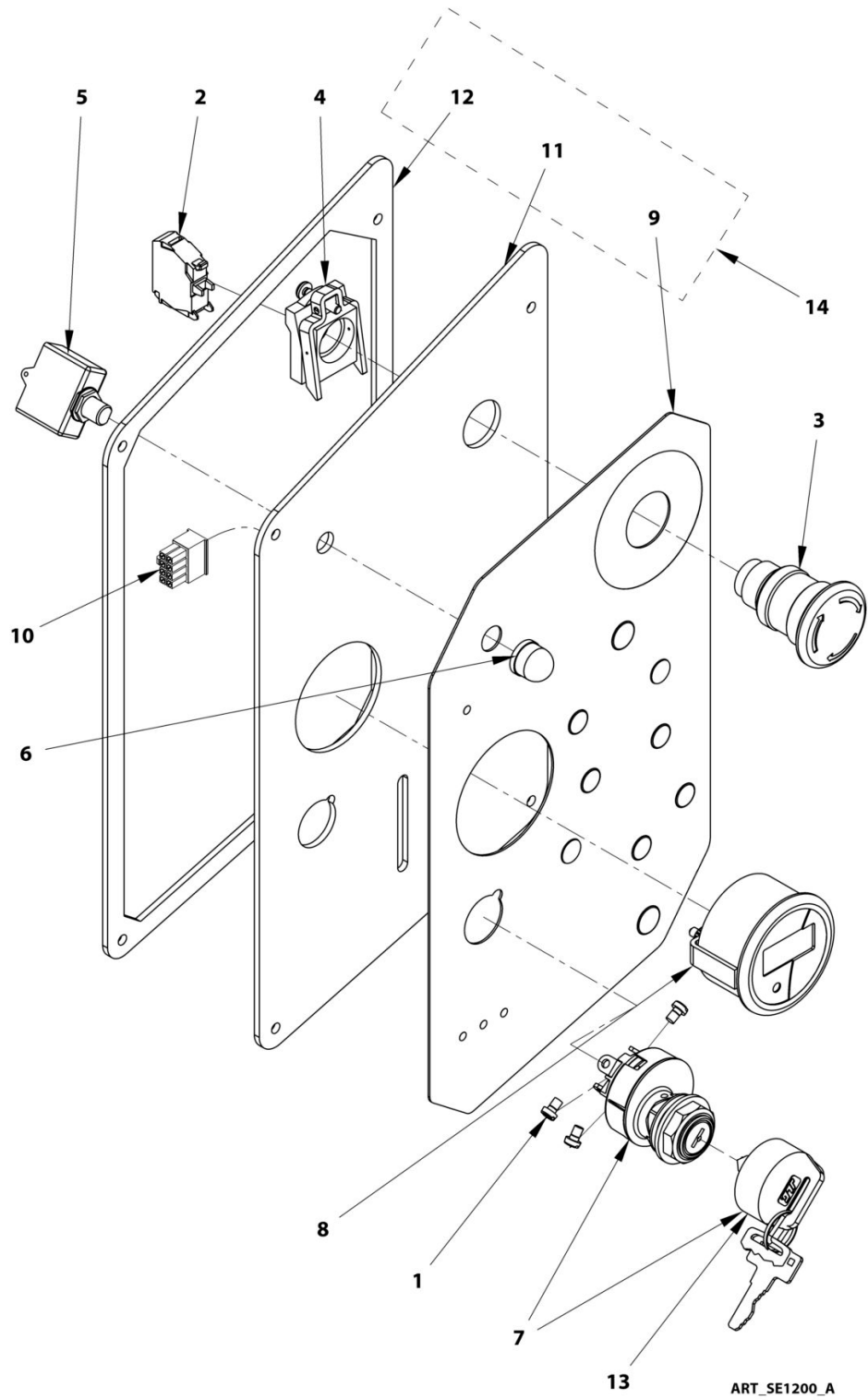
SECTION 1 - COVERS INSTALL / INSTALLATION CAPOTS

FIGURE 1-3. GROUND CONTROL PANEL / FACADE BOITIER BAS (Prior to SN A300036845, SN A300090000 through A300091266, SN E300000000 through E300001504, SN 1300000000 through 1300007042)

ITEM	PART NUMBER	QTY	DESCRIPTION	REV
0	SE0924		CONTROL PANEL / FACADE BOITIER BAS (Prior to SN A300036845, SN A300090000 through A300091266, SN E300000000 through E300001504, SN 1300000000 through 1300007042)	C
0	SE1200	1	GROUND CONTROL PANEL / FACADE BOITIER BAS (SN A300036845 through A300037516)	C
1	130059	3	M04x06 GR. 4.8 CYLINDRIC HEAD / VIS TC M04x06 4.8 ZI	
2	240057	1	NC CONTACT BLOCK / CONTACT NF	
3	240060	1	TURN TO RELEASE KNOB / BOUTON D'ARRET D'URGENCE 1/4 TOUR	
4	240076	1	SWITCH BASE / EMBASE CONTACT	
5	260240	1	CIRCUIT BREAKER 5A / DISJONCTEUR 5A	
6	260243	1	CIRCUIT BREAKER BOOT / CAPUCHON DISJONCTEUR	
7	4360469	1	3 POSITIONS KEY SELECTOR / SELECTEUR A CLE 3 POSITIONS	
8	1001109503	1	MULTI DISPLAY INDICATOR / AFFICHEUR MULTIFONCTION	
9	AU2082	1	MEMBRANE SWITCHES, GROUND PANEL / INTERRUPTEUR A MENBRANE BOITIER BAS (Prior to SN A300036845, SN A300090000 through A300091266, SN E300000000 through E300001504, SN 1300000000 through 1300007042)	C
9	AU2207	1	MEMBRANE SWITCHES,GROUND PANEL / INTERRUPTEUR A MENBRANE BOITIER BAS (SN A300036845 through A300037516)	C
10	PC0465	1	HARNESS, LCB / FAISCEAU BOITIER BAS	
11	ST3119	1	GROUND PANEL / PLATINE BOITIER BAS (Prior to SN A300036845)	C
11	ST3775	1	PLATE,GROUND PANEL / PLATINE BOITIER BAS (SN A300036845 through A300037516)	C
12	ST3155	1	GASKET, GROUND PANEL / JOINT BOITIER BAS	
13	2860030	1	KEY (INCLUDED IN ITEM 4360469) / CLE (COMPRISE DANS REF 4360469)	
14	KT0150	1	KIT-DECAL AND PLATE AND SEAL - LCB / KIT AU ET PLATINE ET JOINT BOITIER BAS (Prior to SN A300036845, SN A300090000 through A300091266, SN E300000000 through E300001504, SN 1300000000 through 1300007042)	C
14	SE1202	1	KIT-DECAL&PLATE&SEAL - LCB / KIT AU&PLATINE&JOINT BOITIER BAS (SN A300036845 through A300037516)	C

SECTION 1 - COVERS INSTALL / INSTALLATION CAPOTS

FIGURE 1-4. GROUND CONTROL PANEL / FACADE BOITIER BAS (SN A300053023 to Present)



SECTION 1 - COVERS INSTALL / INSTALLATION CAPOTS

FIGURE 1-4. GROUND CONTROL PANEL / FACADE BOITIER BAS (SN A300053023 to Present)

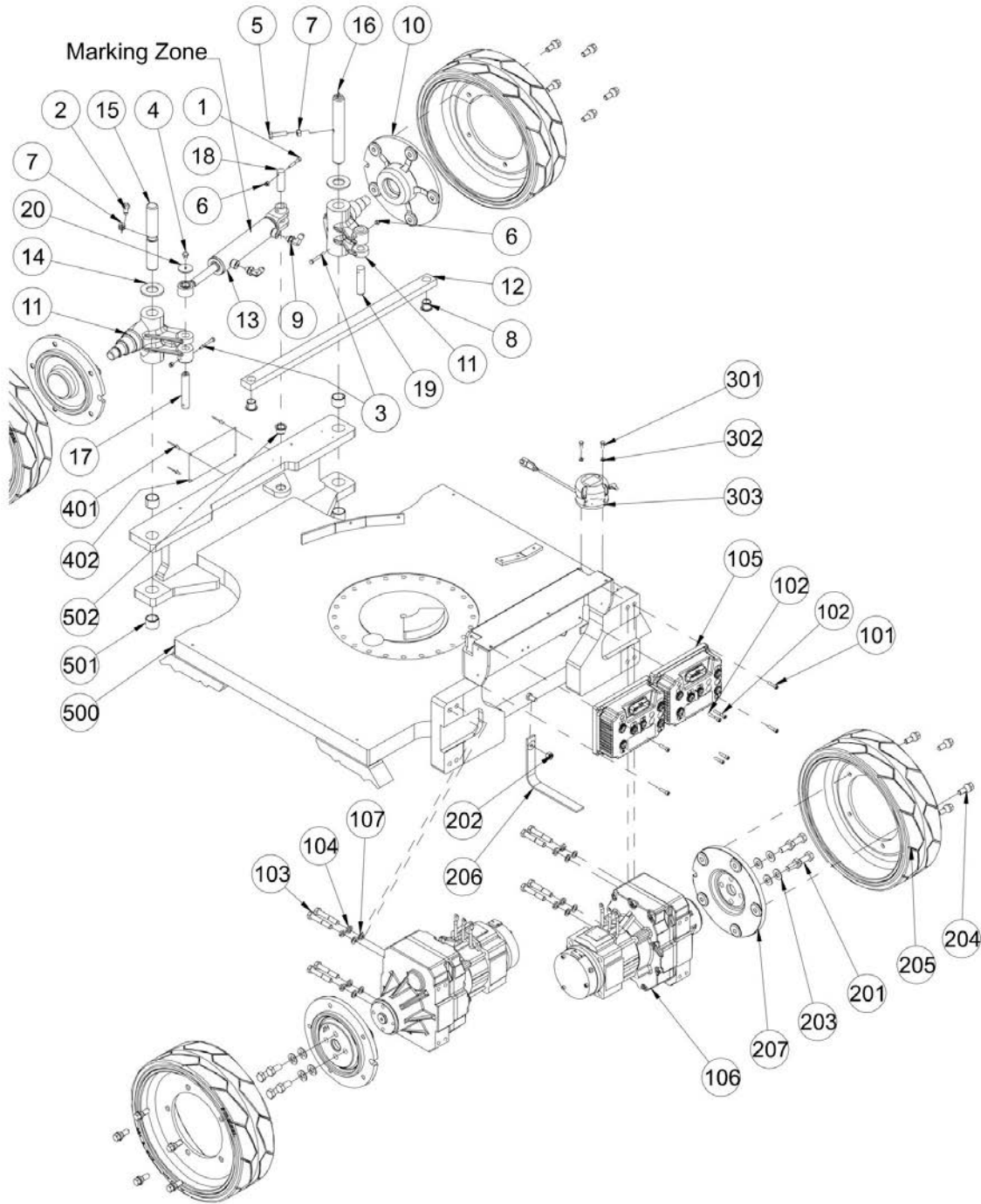
ITEM	PART NUMBER	QTY	DESCRIPTION	REV
0	SE0924		CONTROL PANEL / FACADE BOITIER BAS (Prior to SN A300053023)	C
0	SE1200	1	GROUND CONTROL PANEL / FACADE BOITIER BAS (SN A300053023 to Present)	C
1	130059	3	M04x06 GR. 4.8 CYLINDRIC HEAD / VIS TC M04x06 4.8 ZI	
2	240057	1	NC CONTACT BLOCK / CONTACT NF	
3	240060	1	TURN TO RELEASE KNOB / BOUTON D'ARRET D'URGENCE 1/4 TOUR	
4	240076	1	SWITCH BASE / EMBASE CONTACT	
5	260240	1	CIRCUIT BREAKER 5A / DISJONCTEUR 5A	
6	260243	1	CIRCUIT BREAKER BOOT / CAPUCHON DISJONCTEUR	
7	4360469	1	3 POSITIONS KEY SELECTOR / SELECTEUR A CLE 3 POSITIONS	
8	1001109503	1	MULTI DISPLAY INDICATOR / AFFICHEUR MULTIFONCTION	
9	AU2082	1	MEMBRANE SWITCHES, GROUND PANEL / INTERRUPTEUR A MEMBRANE BOITIER BAS (Prior to SN A300053023)	C
9	AU2207	1	MEMBRANE SWITCHES,GROUND PANEL / INTERRUPTEUR A MEMBRANE BOITIER BAS (SN A300053023 to Present)	C
10	PC0465	1	HARNESS, LCB / FAISCEAU BOITIER BAS	
11	ST3119	1	GROUND PANEL / PLATINE BOITIER BAS (Prior to SN A300053023)	C
11	ST3775	1	PLATE,GROUND PANEL / PLATINE BOITIER BAS (SN A300053023 to Present)	C
12	ST3155	1	GASKET, GROUND PANEL / JOINT BOITIER BAS	
13	2860030	1	KEY (INCLUDED IN ITEM 4360469) / CLE (COMPRISE DANS REF 4360469)	
14	KT0150	1	KIT-DECAL AND PLATE AND SEAL - LCB / KIT AU ET PLATINE ET JOINT BOITIER BAS (Prior to SN A300053023)	C
14	SE1202	1	KIT-DECAL&PLATE&SEAL - LCB / KIT AU&PLATINE&JOINT BOITIER BAS (SN A300053023 to Present)	C

SECTION 2 - FRAME INSTALL / INSTALLATION CHASSIS

SECTION 2 - FRAME INSTALL / INSTALLATION CHASSIS

SECTION 2 - FRAME INSTALL / INSTALLATION CHASSIS

FIGURE 2-1. FRAME INSTALL / INSTALLATION CHASSIS



SECTION 2 - FRAME INSTALL / INSTALLATION CHASSIS

FIGURE 2-1. FRAME INSTALL / INSTALLATION CHASSIS

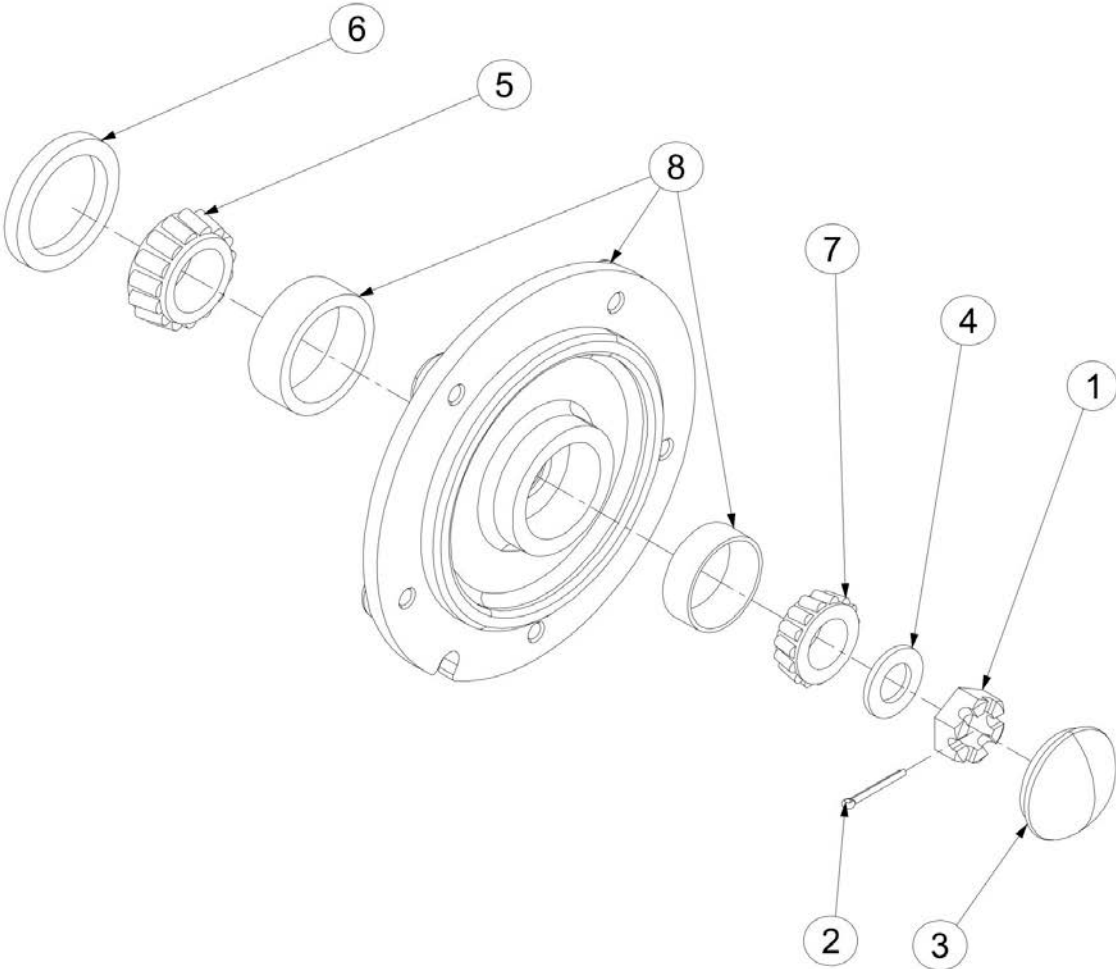
ITEM	PART NUMBER	QTY	DESCRIPTION	REV
		Ref	FRAME INSTALL; INFO - SP0937 / INSTALLATION CHASSIS; INFO - SP0937	C
0	SA0002	Ref	INSTALL, T10E STEER / T10E - INSTALLATION DIRECTION	B
0	SA0032	Ref	INSTALL, T26E STEER / T26E - INSTALLATION DIRECTION	B
1	000017	1	M06x40 8.8 SOCKET HEAD MACH SCREW / VIS CHC M06x40 8.8 BI FT	
2	100009	1	M10x30 8.8 HEX HEAD MACHINE SCREW / VIS H M10x30 8.8 BI FT	
3	100013	2	M06x50 8.8 HEX HEAD CAPSCREW / VIS H M06x50 8.8 BI FP	C
4	100053	1	M08x12 8.8 HEX HEAD MACHINE SCREW / VIS H M08x12 8.8 BI FT	
5	100102	1	M10x40 8.8 HEX HEAD MACHINE SCREW / VIS H M10x40 8.8 BI FT	
6	110003	3	M06 GR08 LOCK NUT / ECROU FREIN M6 CL08 BI	
7	110008	2	M10 GR08 HEX NUT / ECROU H M10 CL08 BI	
8	150059	2	FLANGE BUSHING Ø20 H21.5 DU / BAGUE EPAULEE Ø20 H21.5 DU	
9	300001	2	90° ELBOW MALE BSPP 1/4-MALE JIC 9/16 / COUDE 90° Male BSPP 1/4 -Male JIC 9/16	
10	2780266	2	STEERING WHEEL HUB; INFO - 2780266 / MOYEU ROUE DIRECTRICE; INFO - 2780266	
11	DL0819	2	SPINDLE / PIVOT DE DIRECTION	
12	ST3158	1	LINK, T10E STEERING / T10E - BIELLETTE DE DIRECTION	B
12	ST3321	1	LINK, T26E STEERING / T26E - BIELLETTE DE DIRECTION	B
13	ST3168	1	STEERING CYLINDER; INFO - VERAFLEX / VERIN DE DIRECTION; INFO - VERAFLEX	
13	960075	1	SEAL KIT - ST3168; INFO - VERAFLEX / KIT DE JOINTS - ST3168; INFO - VERAFLEX	
13	ST3332	1	STEERING CYLINDER; INFO - SERTA / VERIN DE DIRECTION; INFO - SERTA	C
13	960099	1	SEAL KIT - ST3332; INFO - SERTA / KIT DE JOINTS - ST3332; INFO - SERTA	C
13	150004	2	FLANGE BUSHING Ø20 H11.5 DU / BAGUE EPAULEE Ø20 H11.5 DU	C
14	US0134	2	THRUST WASHER / RONDELLE D'APPUI	
15	US0216	1	SPINDLE PIN / AXE DE FUSEE	
16	US0523	1	PIN, ROTARY ANGLE SENSOR / AXE DIRECTION POUR CAPTEUR D'ANGLE	
17	US0528	1	PIN, ARTICULATION D20-104 / AXE D20-104	
18	US0529	1	PIN, ARTICULATION D20-60 / AXE D20-60	
19	US0530	1	PIN, ARTICULATION D20-80 / AXE D20-80	
20	US0531	1	WASHER, ID8xOD37xTH3 / RONDELLE Di 8xDe 37xEP 3	
100	SA0001	Ref	INSTALL, WHEEL DRIVE / INSTALLATION TRANSLATION	
101	000008	6	M06x25 8.8 SOCKET HEAD MACH SCREW / VIS CHC M06x25 8.8 BI FT	
102	000077	2	M06x35 8.8 SOCKET HEAD CAPSCREW / VIS CHC M06x35 8.8 BI FP	
103	100103	8	M12x70 10.9 HEX HEAD CAPSCREW / VIS H M12x70 10.9 BR FP	
104	120054	8	HELICAL SPRING LOCK WASHER Ø12 / RONDELLE GROWER Ø12 BI	
105	260318	2	CONTROLLER, COMBI-ACO / VARIATEUR COMBI-ACO	

SECTION 2 - FRAME INSTALL / INSTALLATION CHASSIS

ITEM	PART NUMBER	QTY	DESCRIPTION	REV
106	510086	2	DRIVE GEAR MOTOR; INFO - 510086 / MOTOREDUCTEUR DE ROUE; INFO - 510086	
107	US0190	8	dDH 13x20x02 HARDENED WASHER / RONDELLE TRAITEE dDH 13x20x02	
200	SA0009	Ref	INSTALL, TIRES AND WHEEL / INSTALLATION ROUES	
201	100104	8	M14x1.5x30 10.9 HEX HEAD Mach SCREW / VIS H M14X1.5x30 10.9 BI FT	
202	110005	1	M10 GR08 LOCK NUT / ECROU FREIN M10 CL08 BI	
203	120055	8	dD 14x30 LOCK WASHER BI / RONDELLE CONTACT dD 14x30 BI	
204	0630580	20	BOLT, WHEEL M12x1.5 / GOUJON DE ROUE M12x1.5	
205	1001114466	4	WHEEL/TIRE 125x406 NON-MARKING / ROUE NON MARQUANTE 125x406	
206	4240147	1	STRAP, ANTI-STATIC 13" / TRESSE ANTI-STATIQUE 13"	
207	US0532	2	HUB, DRIVE / MOYEU ARRIERE	
300	SA0013	Ref	INSTALL, TILT SENSOR / INSTALLATION DEVERS	
301	100098	2	M06x16 8.8 HEX HEAD MACHINE SCREW / VIS H M06x16 8.8 BI FT	
302	120009	2	dD 06x14 LOCK WASHER / RONDELLE CONTACT dD 06x14 BI	
303	PC0478	1	TILT SENSOR 1.9° / DETECTEUR DE DEVERS 1.9°	
400	SA0029	Ref	INSTALL, CE NAME PLATE (FRANCE) / INSTALLATION PLAQUE CONSTRUCTEUR CE (FRANCE)	B
400	SA0030	Ref	INSTALL, AUSTRALIA NAME PLATE / INSTALLATION PLAQUE CONSTRUCTEUR AUSTRALIE	C
400	SA0034	Ref	INSTALL, US NAME PLATE (FRANCE) / INSTALLATION PLAQUE CONSTRUCTEUR US (FRANCE)	B
400	SA0038	Ref	INSTALL, CE NAME PLATE (BELGIUM) / INSTALLATION PLAQUE CONSTRUCTEUR CE (BELGIQUE)	B
400	SA0039	Ref	INSTALL, US NAME PLATE (BELGIUM) / INSTALLATION PLAQUE CONSTRUCTEUR US (BELGIQUE)	B
401	180003	4	Ø5x10 POP RIVET / RIVET POP Ø5x10	
402		Ref	MANUFACTURER'S NAME PLATE / PLAQUE CONSTRUCTEUR	
500	DL0813	1	FRAME, TOUCAN 10E / CHASSIS TOUCAN 10E	B
500	DL0856	1	FRAME, TOUCAN 26E / CHASSIS TOUCAN 26E	B
501	150019	4	BUSHING Ø30 H25 DU / BAGUE Ø30 H25 DU	
502	150058	1	FLANGE BUSHING Ø20 H16.5 / BAGUE EPAULEE Ø20 H16.5	

SECTION 2 - FRAME INSTALL / INSTALLATION CHASSIS

FIGURE 2-2. STEERING WHEEL HUB / MOYEU ROUE DIRECTRICE



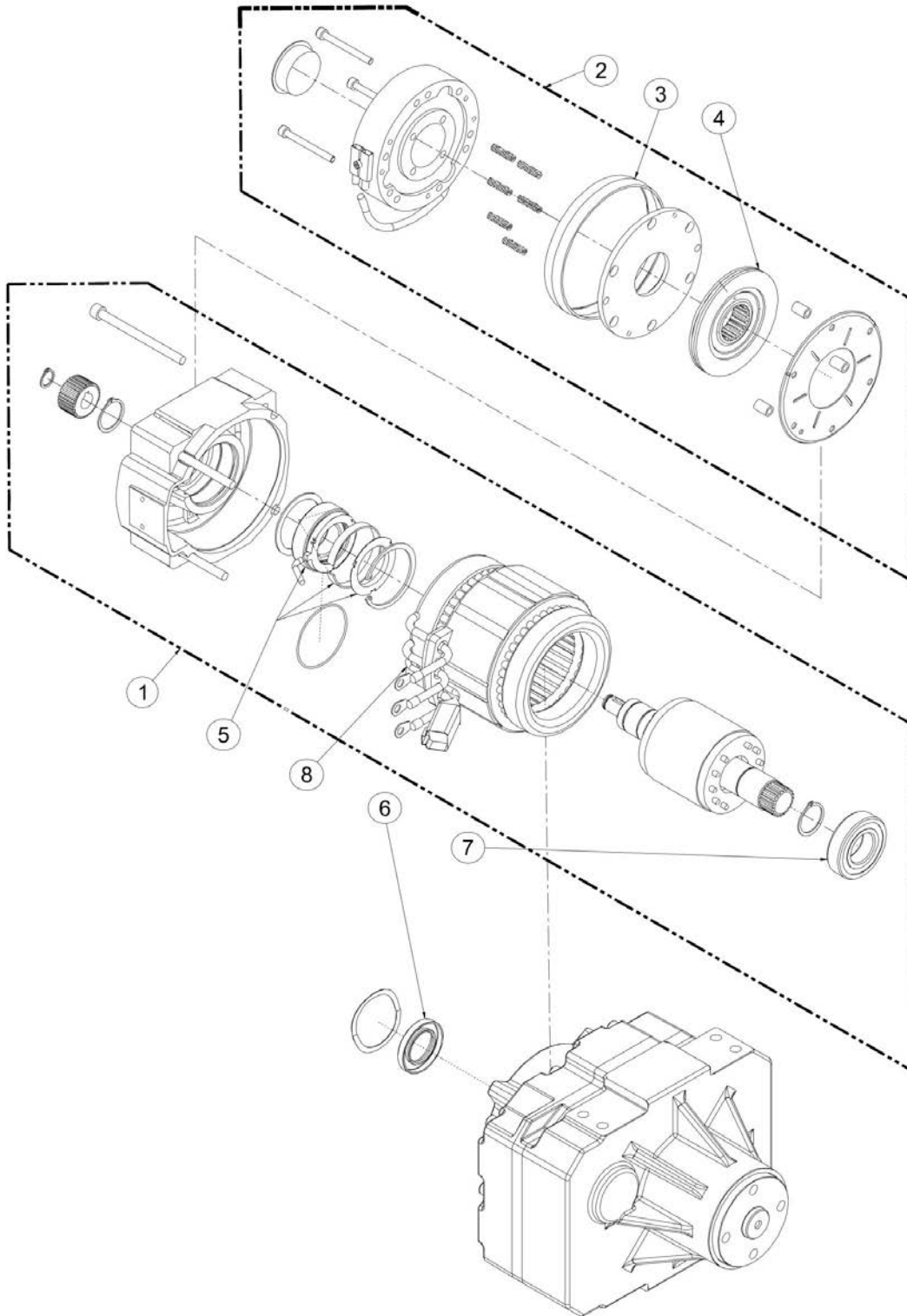
SECTION 2 - FRAME INSTALL / INSTALLATION CHASSIS

FIGURE 2-2. STEERING WHEEL HUB / MOYEU ROUE DIRECTRICE

ITEM	PART NUMBER	QTY	DESCRIPTION	REV
	2780266		HUB,STEERING WHEEL; INFO - 2780266 / MOYEU ROUE DIRECTRICE; INFO - 2780266	
1	7010641	1	NUT,SLOTTED / ECROU A ENCOCHE	
2	7010642	1	PIN,COTTER 2" x 3/16" / GOUPILLE FENDUE 2" x 3/16"	
3	7012524	1	CAP,DUST / BOUCHON	
4	7019697	1	WASHER / RONDELLE	
5	7026183	1	BEARING, CONE - OUTER / ROULEMENT CONIQUE EXTERIEUR	
6	7026184	1	SEAL / JOINT	
7	7026185	1	BEARING, CONE - INNER / ROULEMENT CONIQUE INTERIEUR	
8	Not Available	1	ORDER THE COMPLETE 2780266 / COMMANDER LE 2780266 COMPLET	

SECTION 2 - FRAME INSTALL / INSTALLATION CHASSIS

FIGURE 2-3. DRIVE GEAR MOTOR / MOTOREDUCTEUR DE ROUE



SECTION 2 - FRAME INSTALL / INSTALLATION CHASSIS

FIGURE 2-3. DRIVE GEAR MOTOR / MOTOREDUCTEUR DE ROUE

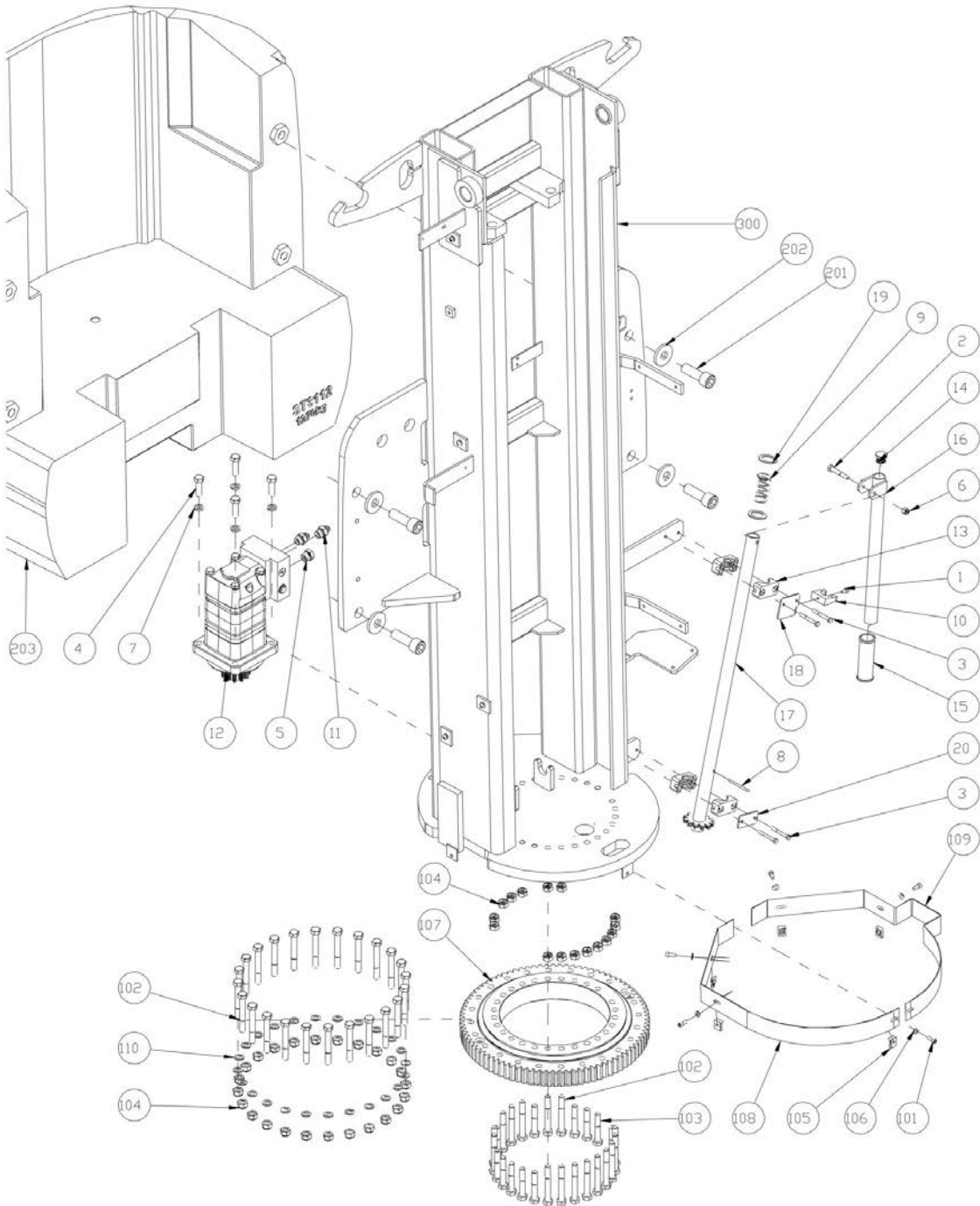
ITEM	PART NUMBER	QTY	DESCRIPTION	REV
	510086		DRIVE GEAR MOTOR; INFO - 510086 / MOTOREDUCTEUR DE ROUE; INFO - 510086	C
1	951035	1	ELECTRIC MOTOR / MOTEUR ELECTRIQUE	
2	951036	1	COMPLETE BRAKE KIT / FREIN COMPLET	
3	951037	1	RING, DUST PROTECTION / JOINT ANTI-POUSSIERE	
4	951038	1	DISC, FRICTION / DISQUE DE FREIN	
5	951039	1	ENCODER BEARING KIT / KIT ROULEMENT CODEUR	
6	951040	1	GASKET WDR 30x52x7 / JOINT A LEVRE WDR 30x52x7	
7	951041	1	BEARING 6206ZC3/HTF / ROULEMENT 6206ZC3/HTF	
8	951043	1	STATOR / STATOR	C

SECTION 3 - MAST 1 INSTALL / INSTALLATION MAT 1

SECTION 3 - MAST 1 INSTALL / INSTALLATION MAT 1

SECTION 3 - MAST 1 INSTALL / INSTALLATION MAT 1

FIGURE 3-1. MAST 1 INSTALL / INSTALLATION MAT 1



SECTION 3 - MAST 1 INSTALL / INSTALLATION MAT 1

FIGURE 3-1. MAST 1 INSTALL / INSTALLATION MAT 1

ITEM	PART NUMBER	QTY	DESCRIPTION	REV
		Ref	INSTALL,MAST 1; INFO - SP0938 / INSTALLATION MAT 1; INFO - SP0938	A
0	SA0004	Ref	INSTALL, SWING DRIVE / INSTALLATION ORIENTATION	A
1	000014	1	M06x12 8.8 SOCKET HEAD MACH SCREW / VIS CHC M06x12 8.8 BI FT	A
2	100007	1	M08x50 8.8 HEX HEAD CAPSCREW / VIS H M08x50 8.8 BI FP	A
3	100013	4	M06x50 8.8 HEX HEAD CAPSCREW / VIS H M06x50 8.8 BI FP	
4	100016	4	M12x40 8.8 HEX HEAD MACHINE SCREW / VIS H M12x40 8.8 BI FT	
5	1001111752	1	CAP 3/8 BSPP - O-RING / BOUCHON 3/8 BSPP - JOINT TORIQUE	
6	110004	1	M08 GR08 LOCK NUT / ECROU FREIN M8 CL08 BI	A
7	120054	4	HELICAL SPRING LOCK WASHER Ø12 / RONDELLE GROWER Ø12 BI	
8	140009	1	Ø4.5x50 COTTER PIN / GOUPILLE FENDUE Ø4.5x50	
9	160031	1	C 320 180 1350 I SPRING / RESSORT C 320 180 1350 I	
10	190027	1	Ø22 CLIP / CLIP Ø22	A
11	300172	2	ADAPTATOR 3/8 BSPP - O-RING / RACCORD 3/8 BSPP - JOINT TORIQUE	
12	320067	1	HYD. MOTOR, SWING DRIVE / MOTEUR D'ORIENTATION	
13	400077	2	CLAMP, SINGLE D30 / COLLIER D30	
14	400097	1	CAP, D25 / BOUCHON D25	A
15	930109	1	PUMP HANDLE RUBBER / CAOUTCHOUC POIGNEE POMPE	A
16	DL0837	1	LEVER, MANUAL SLEWING / LEVIER D'ORIENTATION MANUELLE	A
17	DL0838	1	PINION / PIGNON ARBRE	A
18	ST3246	1	PLATE, LEVER LOCK / PLATINE BLOCAGE LEVIER	A
19	US0524	2	WASHER, ID28xOD40xTH2 / RONDELLE Di 28xDe 40xEP 2	
20	US0527	1	PLATE, CLAMP COVER / BRIDE DE COLLIER	
100	SA0003	Ref	INSTALL, TURNTABLE BEARING / INSTALLATION COURONNE D'ORIENTATION	
101	000015	5	M06x16 8.8 SOCKET HEAD MACH SCREW / VIS CHC M06x16 8.8 BI FT	
102	100038	40	M12x90 10.9 HEX HEAD CAPSCREW / VIS H M12x90 10.9 BR FP	
103	100103	11	M12x70 10.9 HEX HEAD CAPSCREW / VIS H M12x70 10.9 BR FP	
104	110017	40	M12 GR10 LOCK NUT / ECROU FREIN H M12 CL10 BI	
105	110026	5	M06 CAGE HEX NUT / ECROU CAGE M06	
106	120009	5	dD 06x14 LOCK WASHER / RONDELLE CONTACT dD 06x14 BI	
107	500021	1	SLEWING RING / COURONNE D'ORIENTATION	
108	ST3164	1	COVER, SLEWING RING, LEFT / CARTER COURONNE GAUCHE	
109	ST3169	1	COVER, SLEWING RING, RIGHT / CARTER COURONNE DROIT	
110	US0190	24	dDH 13x20x02 HARDENED WASHER / RONDELLE TRAITEE dDH 13x20x02	
200	SA0011	Ref	INSTALL, COUNTERWEIGHT / INSTALLATION CONTREPOIDS	
201	000047	4	M20x60 8.8 SOCK. HEAD MACH. SCREW / VIS CHC 20x60 8.8 BI FT	
202	ST2475	4	COUNTERWEIGHT WASHER / RONDELLE DE CONTREPOIDS	
203	ST3112	1	COUNTERWEIGHT / CONTREPOIDS	

SECTION 3 - MAST 1 INSTALL / INSTALLATION MAT 1

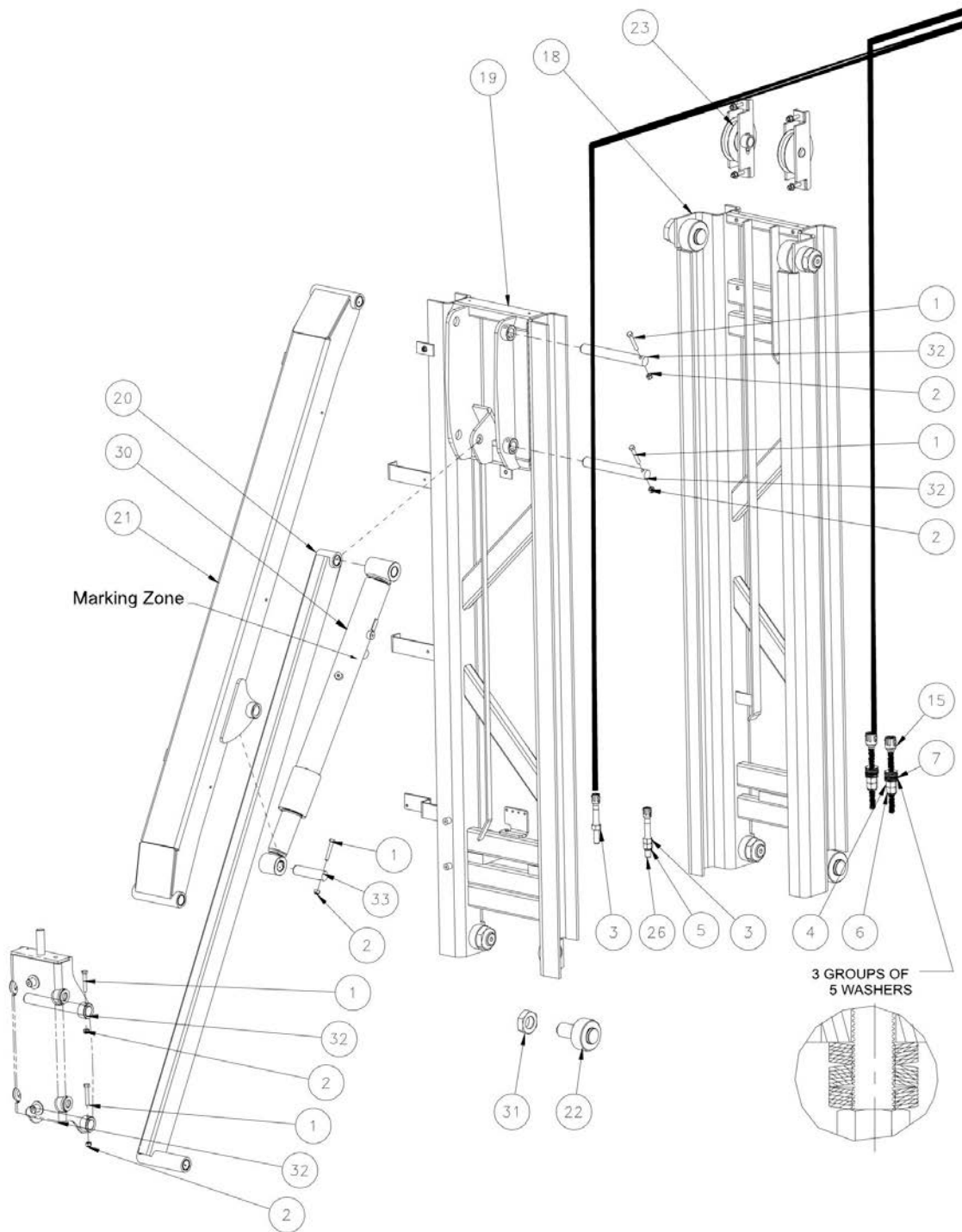
ITEM	PART NUMBER	QTY	DESCRIPTION	REV
300	DL0814	1	MAST, SECTION 1 / MAT 1	

SECTION 4 - MASTS AND BOOM INSTALL / INSTALLATION MATS ET BRAS

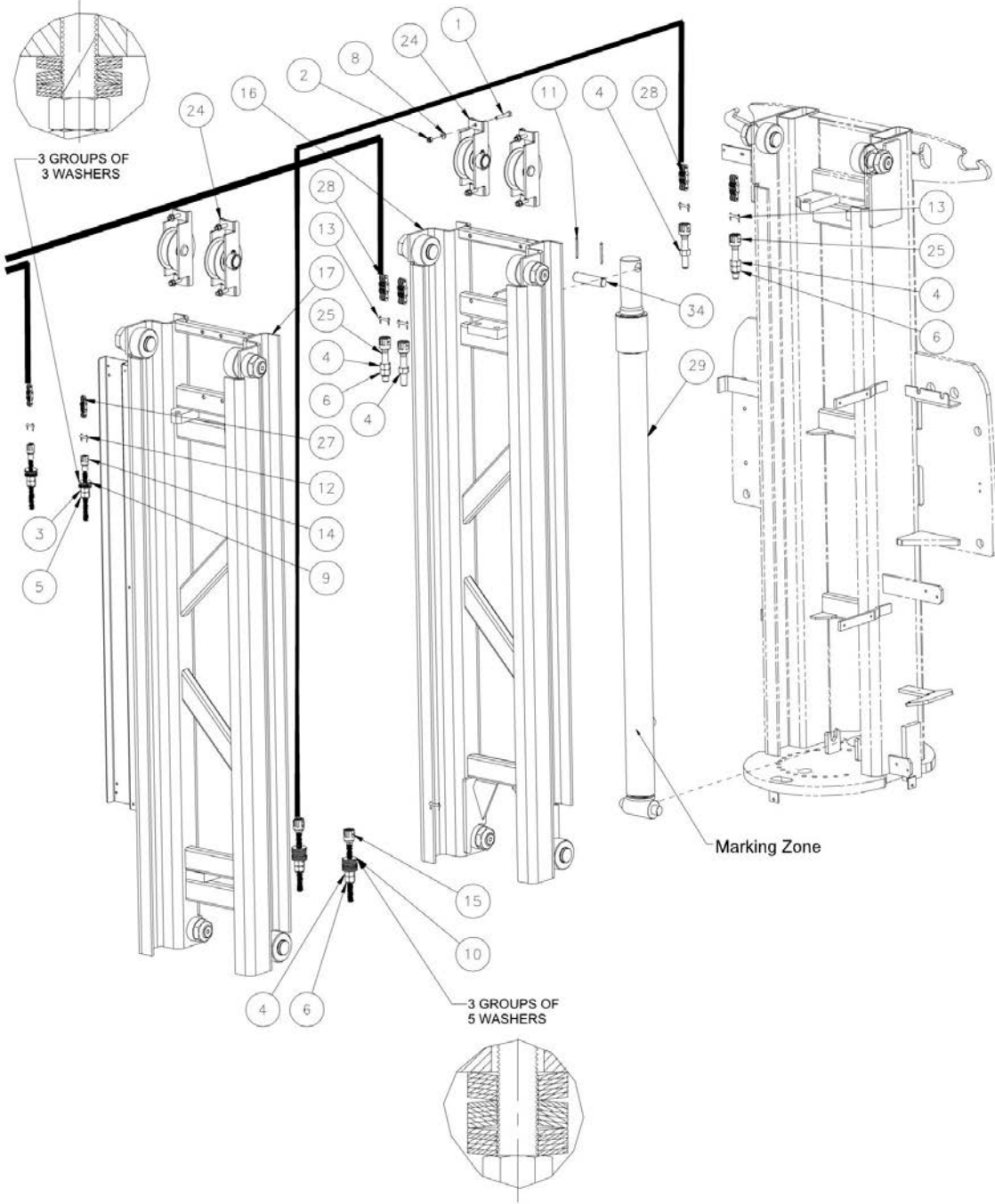
**SECTION 4 - MASTS AND BOOM INSTALL / INSTALLATION MATS ET
BRAS**

SECTION 4 - MASTS AND BOOM INSTALL / INSTALLATION MATS ET BRAS

FIGURE 4-1. MASTS AND BOOM INSTALL / INSTALLATION MATS ET BRAS



SECTION 4 - MASTS AND BOOM INSTALL / INSTALLATION MATS ET BRAS



SECTION 4 - MASTS AND BOOM INSTALL / INSTALLATION MATS ET BRAS

FIGURE 4-1. MASTS AND BOOM INSTALL / INSTALLATION MATS ET BRAS

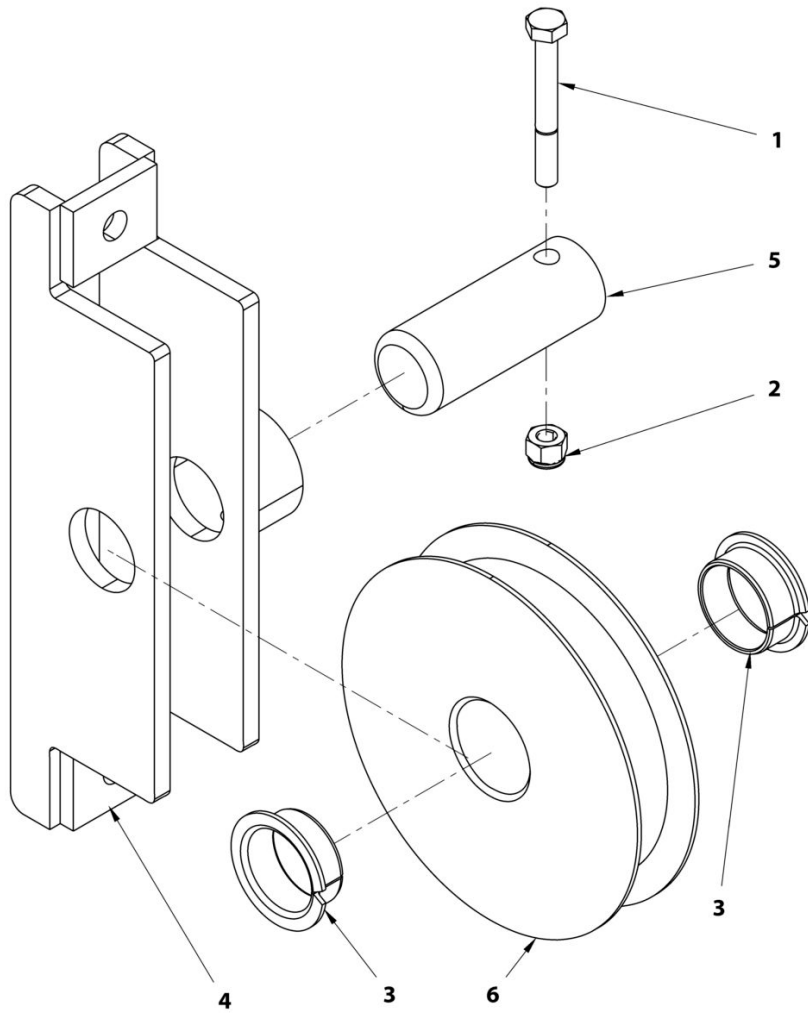
ITEM	PART NUMBER	QTY	DESCRIPTION	REV
	SA0005		MASTS / BOOM INSTALL; INFO - SA0005 / INSTALLATION MATS / BRAS; INFO - SA0005	B
1	100063	17	M08x50 8.8 HEX HEAD MACHINE SCREW / VIS H M08x50 8.8 BI FT	
2	110004	17	M08 GR08 LOCK NUT / ECROU FREIN M8 CL08 BI	
3	110009	4	M14 GR08 HEX NUT / ECROU H M14 CL08 BI	
4	110010	8	M16 GR08 HEX NUT / ECROU H M16 CL08 BI	
5	110019	3	M14 GR08 LOCK NUT / ECROU FREIN H M14 CL08 BI	
6	110020	6	M16 GR08 LOCK NUT / ECROU FREIN H M16 CL08 BI	
7	120006	30	BEVEL WASHER D34x16.3x1.5 / RONDELLE RESSORT D34x16.3x1.5 BR	
8	120010	12	dD 08x18 LOCK WASHER / RONDELLE CONTACT dD 08x18 BI	
9	120017	18	BEVEL WASHER D34x14.3x1.5 / RONDELLE RESSORT D34x14.3x1.5 BR	
10	120036	30	BEVEL WASHER Ø40x16.3x2 / RONDELLE RESSORT Ø40x16.3x2 BR	
11	140009	2	D4.5x50 COTTER PIN / GOUPILLE FENDUE D4.5x50	
12	170007	4	M14 CLEVIS PIN / AXE DE CHAPE M14	
13	170008	8	M16 CLEVIS PIN / AXE DE CHAPE M16	
14	170009	2	CHAIN ANCHOR M14 L150 / CHAPE DE CHAINE M14 L150	
15	170010	4	CHAIN ANCHOR M16 L160 / CHAPE DE CHAINE M16 L160	
16	DL0818	1	MAST 2 / MAT 2	
17	DL0821	1	MAST 3 / MAT 3	
18	DL0824	1	MAST 4 / MAT 4	
19	DL0827	1	MAST 5 / MAT 5	
20	DL0829	1	BOOM, LOWER / BRAS INFERIEUR	
21	DL0830	1	BOOM, UPPER / BRAS SUPERIEUR	
22	SE0495	16	ROLLER ASSEMBLY / ENSEMBLE GALET DE GUIDAGE	
23	SE0730	2	PULLEY ASSEMBLY LL10-44; INFO - SE0730 / ASSEMBLAGE SUPPORT POULIE LL10-44; INFO - SE0730	
24	SE0731	4	PULLEY ASSEMBLY LL12-66; INFO - SE0731 / ASSEMBLAGE SUPPORT POULIE LL12-66; INFO - SE0731	
25	ST0099	4	CHAIN ANCHOR M16 L80 / CHAPE DE CHAINE M16 L80	
26	ST0120	2	CHAIN ANCHOR M14 L90 / CHAPE DE CHAINE M14 L90	
27	ST0178	2	LL 10-44 CHAIN / CHAINE LL 10-44	
28	ST0179	4	LL 12-66 CHAIN / CHAINE LL 12-66	
29	ST3229	1	MAST CYLINDER; INFO - VERAFLEX / VERIN MAT; INFO - VERAFLEX	
29	960096	1	SEAL KIT - ST3229; INFO - VERAFLEX / KIT DE JOINTS - ST3229; INFO - VERAFLEX	
29	ST3333	1	MAST CYLINDER; INFO - SERTA / VERIN MAT; INFO - SERTA	B
29	960098	1	SEAL KIT - ST3333; INFO - SERTA / KIT DE JOINTS - ST3333; INFO - SERTA	B
30	ST3228	1	BOOM CYLINDER; INFO - VERAFLEX / VERIN BRAS; INFO - VERAFLEX	
30	960095	1	SEAL KIT - ST3228; INFO- VERAFLEX / KIT DE JOINTS - ST3228; INFO - VERAFLEX	
30	ST3334	1	BOOM CYLINDER; INFO - SERTA / VERIN BRAS; INFO - SERTA	B
30	960097	1	SEAL KIT - ST3334; INFO - SERTA / KIT DE JOINTS - ST3334; INFO - SERTA	B
30	150002	4	BUSHING D25 H25 DX / BAGUE D25 H25 DX	
31	US0026	16	M36 GR04 HEX NUT / ECROU M36 CL04 BI	

SECTION 4 - MASTS AND BOOM INSTALL / INSTALLATION MATS ET BRAS

ITEM	PART NUMBER	QTY	DESCRIPTION	REV
32	US0481	4	PIN D25 L210 / AXE D25 L210	
33	US0537	1	PIN, D25 - L100 / AXE D25 - L100	
34	US0538	1	PIN, D25-L100-2d5 / AXE D25 - L100 - 2d5	

SECTION 4 - MASTS AND BOOM INSTALL / INSTALLATION MATS ET BRAS

FIGURE 4-2. LL10-44 PULEY ASSEMBLY / ASSEMBLAGE SUPPORT POULIE



ART. 560730

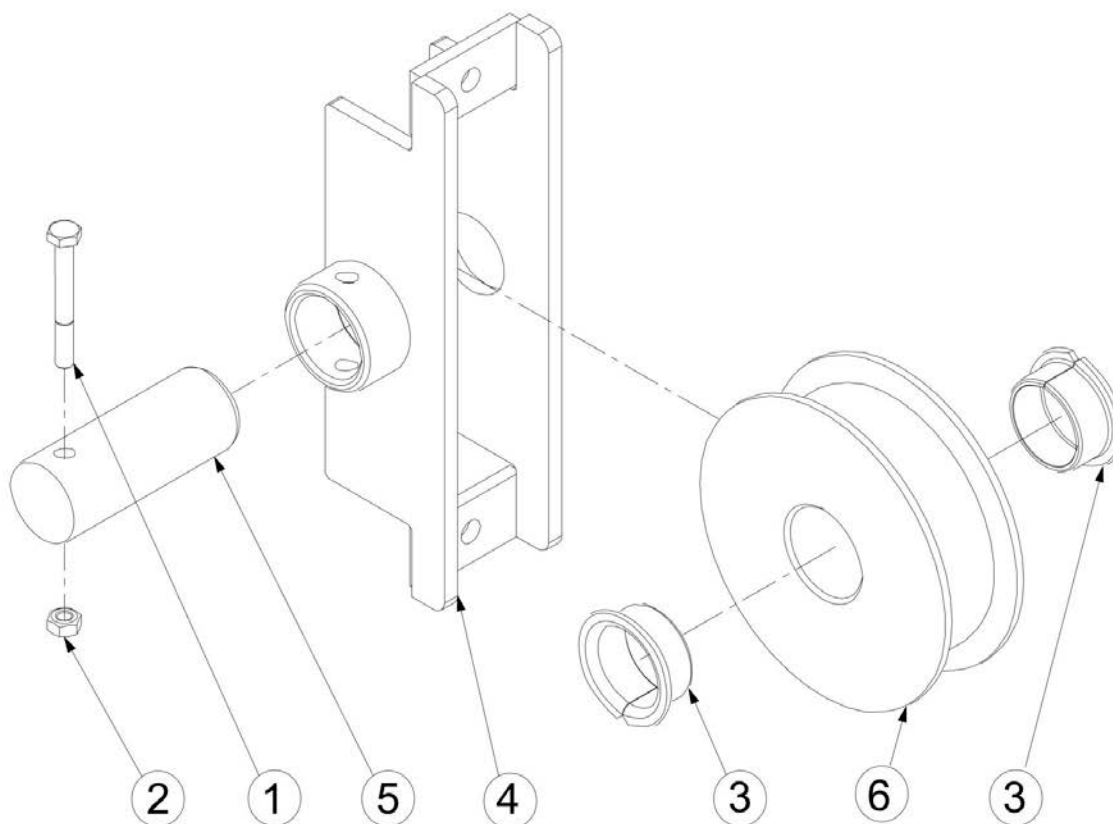
SECTION 4 - MASTS AND BOOM INSTALL / INSTALLATION MATS ET BRAS

FIGURE 4-2. LL10-44 PULEY ASSEMBLY / ASSEMBLAGE SUPPORT POULIE

ITEM	PART NUMBER	QTY	DESCRIPTION	REV
	SE0730		PULLEY ASSEMBLY LL10-44; INFO - SE0730 / ASSEMBLAGE SUPPORT POULIE LL10-44; INFO - SE0730	
1	100013	1	M06x50 8.8 HEX HEAD CAPSCREW / VIS H M06x50 8.8 BI FP	
2	110003	1	M06 GR.08 LOCK NUT / ECROU FREIN M6 CL08 BI	
3	150011	2	FLANGE BUSHING D25 H11.5 DU / BAGUE EPAULEE D25 H11.5 DU	
4	SD0453	1	PULLEY MOUNT / SUPPORT POULIE	
5	US0377	1	PULLEY PIN / AXE DE SUPPORT POULIE	
6	US0475	1	LL10-44 PULLEY / POULIE LL10-44	

SECTION 4 - MASTS AND BOOM INSTALL / INSTALLATION MATS ET BRAS

FIGURE 4-3. LL12-66 PULEY ASSEMBLY / ASSEMBLAGE SUPPORT POULIE



SECTION 4 - MASTS AND BOOM INSTALL / INSTALLATION MATS ET BRAS

FIGURE 4-3. LL12-66 PULEY ASSEMBLY / ASSEMBLAGE SUPPORT POULIE

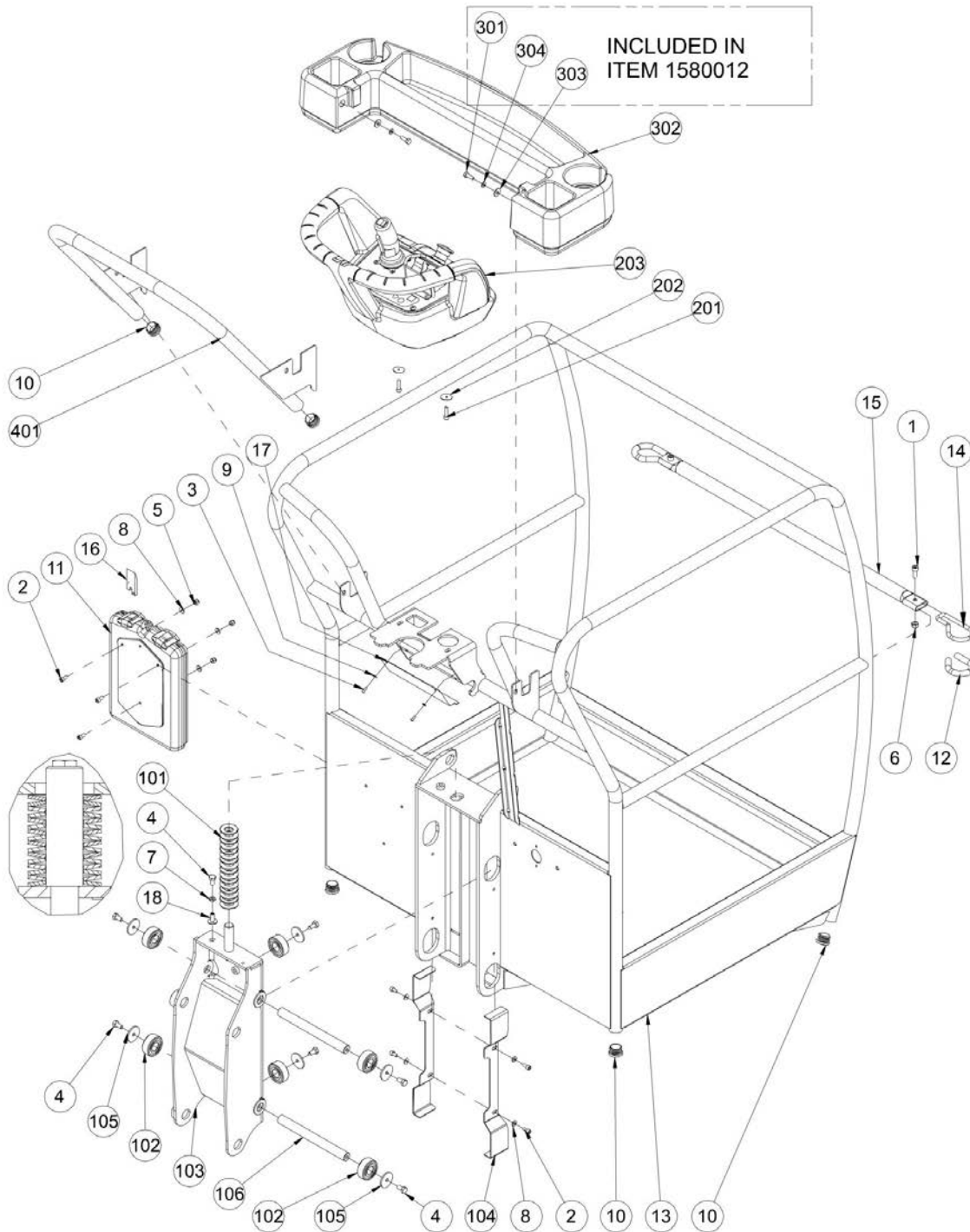
ITEM	PART NUMBER	QTY	DESCRIPTION	REV
	SE0731		PULLEY ASSEMBLY LL12-66; INFO - SE0731 / ASSEMBLAGE SUPPORT POULIE LL12-66; INFO - SE0731	
1	100013	1	M06x50 8.8 HEX HEAD CAPSCREW / VIS H M06x50 8.8 BI FP	
2	110003	1	M06 GR08 LOCK NUT / ECROU FREIN M6 CL08 BI	
3	150007	2	FLANGE BUSHING D30 H16 DU / BAGUE EPAULEE D30 H16 DU	
4	SD0452	1	PULLEY MOUNT / SUPPORT POULIE	
5	US0375	1	PULLEY PIN / AXE DE SUPPORT POULIE	
6	US0479	1	LL12-66 PULLEY / POULIE LL12-66	

SECTION 5 - PLATFORM INSTALL / INSTALLATION PLATE-FORME

SECTION 5 - PLATFORM INSTALL / INSTALLATION PLATE-FORME

SECTION 5 - PLATFORM INSTALL / INSTALLATION PLATE-FORME

FIGURE 5-1. COMPLETE PLATFORM INSTALL WITH LSS / INSTALLATION COMPLETE PLATE-FORME AVEC SURCHARGE



SECTION 5 - PLATFORM INSTALL / INSTALLATION PLATE-FORME

FIGURE 5-1. COMPLETE PLATFORM INSTALL WITH LSS / INSTALLATION COMPLETE PLATE-FORME AVEC SURCHARGE

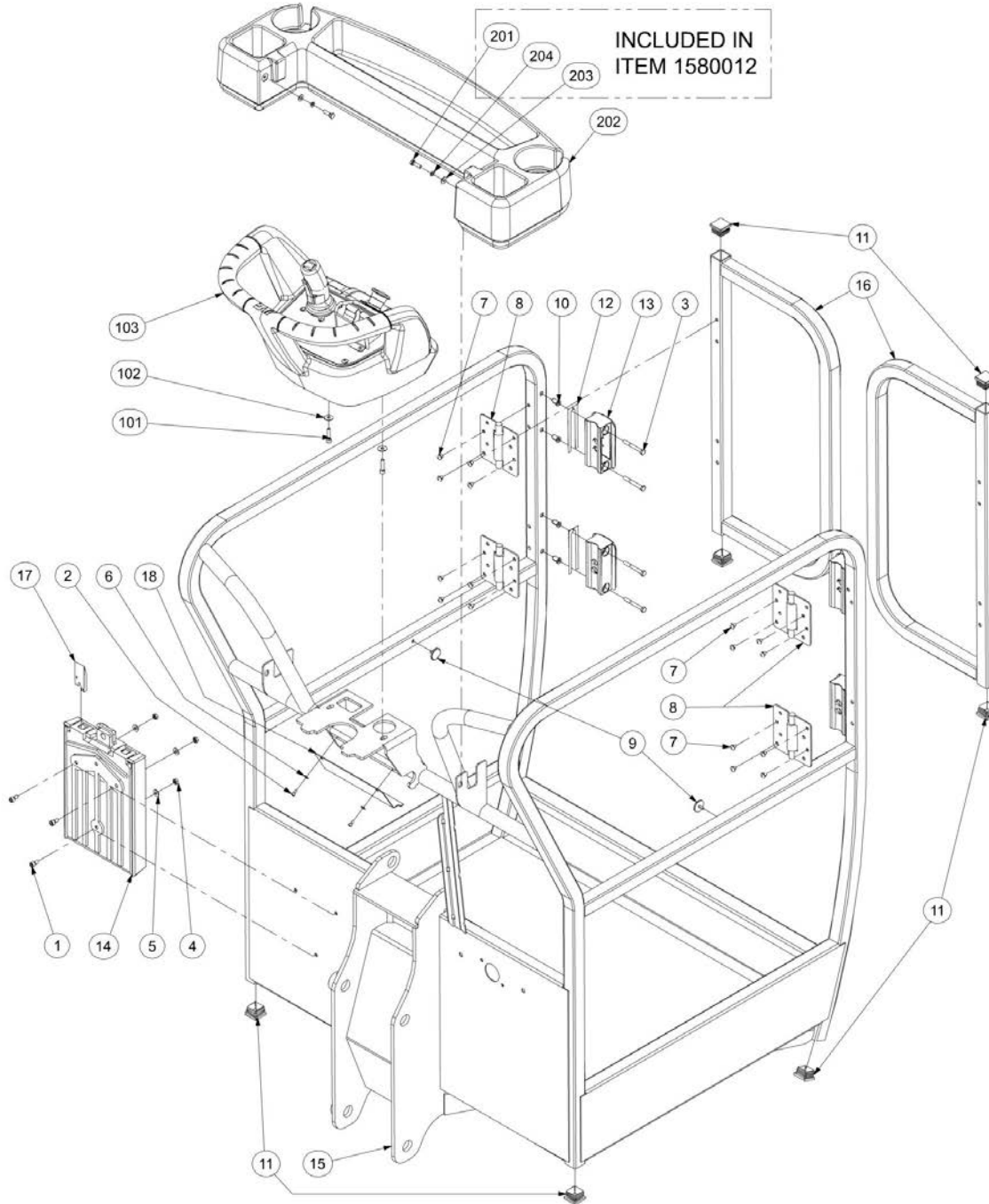
ITEM	PART NUMBER	QTY	DESCRIPTION	REV
		Ref	INSTALL, COMPLETE PLATFORM WITH LSS; INFO - SP0939 / INSTALLATION COMPLETE PLATEFORME AVEC SURCHARGE; INFO - SP0939	B
0	SA0007	Ref	INSTALL, PLATFORM WITH LSS / INSTALLATION PLATE-FORME AVEC SURCHARGE	
1	000006	2	M08x20 8.8 SOCKET HEAD MACH SCREW / VIS CHC M08x20 8.8 BI FT	
2	000014	3	M06x12 8.8 SOCKET HEAD MACH SCREW / VIS CHC M06x12 8.8 BI FT	
3	000090	2	M04x08 8.8 SOCKET HEAD MACH SCREW / VIS CHC M04x08 8.8 BI FT	
4	100054	1	M08x16 8.8 HEX HEAD MACHINE SCREW / VIS H M08x16 8.8 BI FT	
5	110003	3	M06 GR08 LOCK NUT / ECROU FREIN M6 CL08 BI	
6	110004	2	M08 GR08 LOCK NUT / ECROU FREIN M8 CL08 BI	
7	110022	1	M08 GR04 FLAT HEX NUT / ECROU Hm M08 CL04 ZI	
8	120009	3	dD 06x14 LOCK WASHER / RONDELLE CONTACT dD 06x14 BI	
9	120024	2	M04 LOCK WASHER / RONDELLE CONTACT M04 BI	
10	400048	4	CAP / BOUCHON	
11	8990147	1	HOLDER, MANUAL / BOITE PORTE-DOCUMENTS	
12	280023	2 x0.18	PROTECTION SLEEVE (quantity in meter) / GAINÉ DE PROTECTION (qté en mètre)	
13	DL0826	1	PLATFORM WELDMENT / STRUCTURE PLATE-FORME	
14	ST0736	2	SLIDING GATE LOOP / ANNEAU PORTILLON	
15	ST0763	1	PLATFORM SLIDING GATE / PORTILLON	
16	ST2741	1	SENSOR CONTROL TOOL / CALE DE VERIFICATION	
17	ST3234	1	PLATE, CONNECTOR BOX COVER / CARTER CONNECTEURS BOITIER	
18	US0236	1	SETTING SCREW / VIS DE REGLAGE	
100	SA0006	Ref	INSTALL, PLATFORM SUPPORT / INSTALLATION SUPPORT PLATE-FORME	
2	000014	4	M06x12 8.8 SOCKET HEAD MACH SCREW / VIS CHC M06x12 8.8 BI FT	
4	100054	6	M08x16 8.8 HEX HEAD MACHINE SCREW / VIS H M08x16 8.8 BI FT	
8	120009	4	dD 06x14 LOCK WASHER / RONDELLE CONTACT dD 06x14 BI	
101	120018	16	BEVEL WASHER Ø40x20.4x2 / RONDELLE RESSORT 40x20.4x2 BR	
102	150052	6	4204 BEARING / ROULEMENT 4204	
103	DL0825	1	SUPPORT, PLATFORM / SUPPORT PLATE-FORME	
104	ST3299	2	PLATE, BEARING COVER / CARTER ROULEMENTS	B
105	US0531	6	WASHER, D8xD37xTH3 / RONDELLE D8xD37xEP3	
106	US0534	2	PIN, BEARING MOUNT / AXE ROULEMENTS	
200	SA0015	Ref	INSTALL, UPPER CONTROL BOX / INSTALLATION BOITIER HAUT	
201	000008	2	M06x25 8.8 SOCKET HEAD MACH SCREW / VIS CHC M06x25 8.8 BI FT	
202	120004	2	dD 06x25 WASHER / RONDELLE dD 06x25x1.2 BI	
203	SE0923	1	PLATFORM CONSOLE / BOITIER HAUT (Prior to SN	B

SECTION 5 - PLATFORM INSTALL / INSTALLATION PLATE-FORME

ITEM	PART NUMBER	QTY	DESCRIPTION	REV
203	SE1201	1	A300036845, SN A300090000 through A300091266, SN E300000000 through E300001504, SN 1300000000 through 1300007042) PLATFORM CONSOLE / BOITIER HAUT (SN A300036845 through A300037516)	B
300	SA0020	Ref	INSTALL, CONTAINER STORAGE TRAY / INSTALLATION BOITE A OUTILS	
301	0641406	2	HEX HD CAPSCREW, 1/4-20 x 3/4 LG / VIS H 1/4-20 x 3/4 LG	
302	1580012	1	CONTAINER, STORAGE TRAY / BOITE A OUTILS	
303	4751400	2	WASHER, 1/4" DIA PLAIN STL., WIDE / RONDELLE LARGE D 1/4"	
304	4761400	2	WASHER, 1/4" DIA ZINC PLT LOCK / RONDELLE FREIN D1/4" BI	
400	SA0019	Ref	PROTECTION FOR AUSTRALIA ONLY / PROTECTION POUR AUSTRALIE	B
10	400048	2	CAP D30 / BOUCHON D30	B
401	DL0834	1	RAIL, UCB GUARD / RAIL DE PROTECTION BOITIER HAUT	B

SECTION 5 - PLATFORM INSTALL / INSTALLATION PLATE-FORME

FIGURE 5-2. COMPLETE PLATFORM INSTALL WITHOUT LSS / INSTALLATION COMPLETE PLATE-FORME SANS SURCHARGE



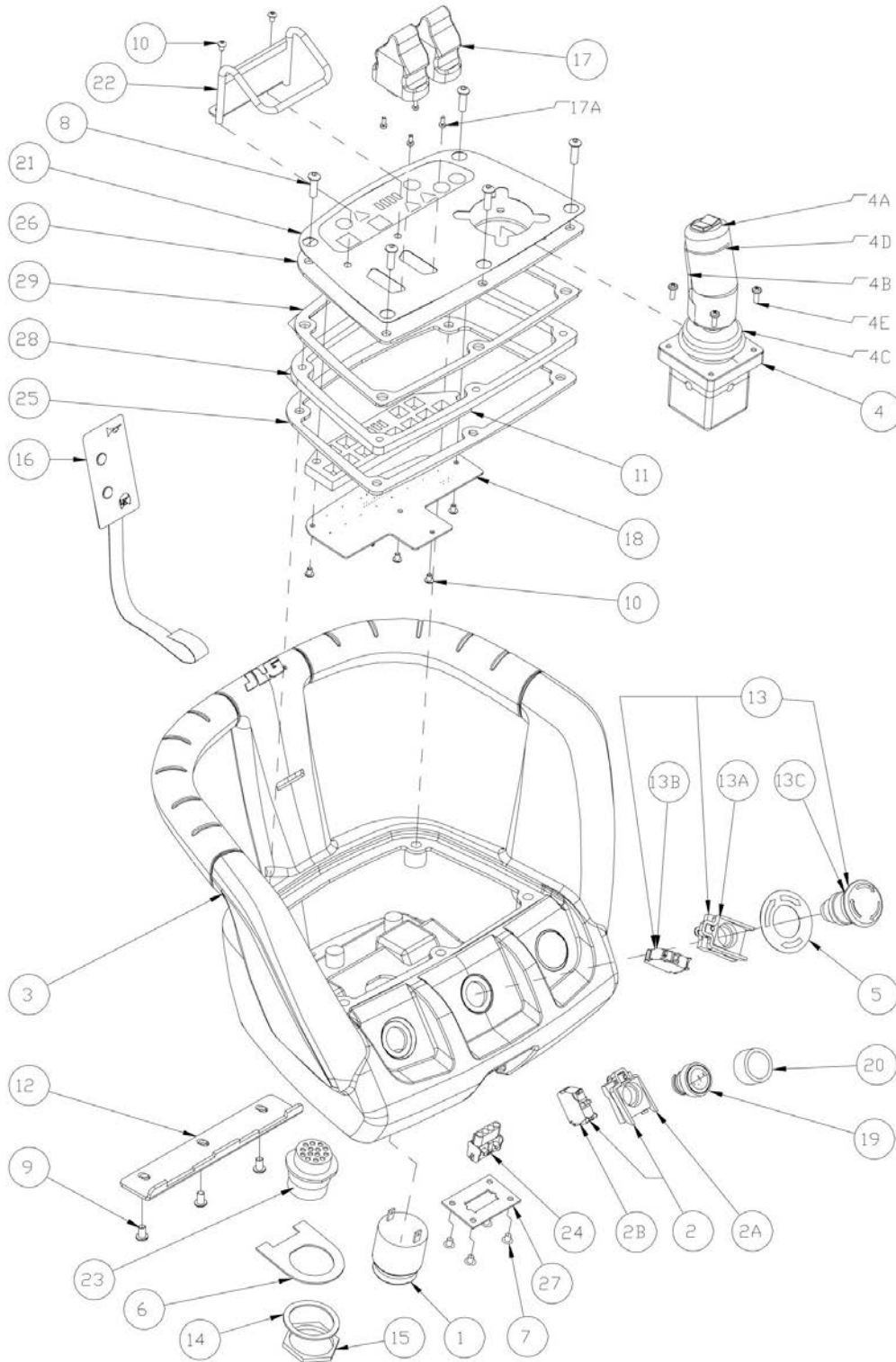
SECTION 5 - PLATFORM INSTALL / INSTALLATION PLATE-FORME

FIGURE 5-2. COMPLETE PLATFORM INSTALL WITHOUT LSS / INSTALLATION COMPLETE PLATE-FORME SANS SURCHARGE

ITEM	PART NUMBER	QTY	DESCRIPTION	REV
		Ref	INSTALL, COMPLETE PLATFORM WITHOUT LSS; INFO - SP0953 / INSTALLATION COMPLETE PLATEFORME SANS SURCHARGE; INFO - SP0953	B
0	SA0036	Ref	INSTALL, PLATFORM WITHOUT LSS / INSTALLATION PLATE-FORME SANS SURCHARGE	
1	000014	3	M06x12 8.8 SOCKET HEAD MACH SCREW / VIS CHC M06x12 8.8 BI FT	
2	000090	2	M04x08 8.8 SOCKET HEAD MACH SCREW / VIS CHC M04x08 8.8 BI FT	
3	100013	8	M06x50 8.8 HEX HEAD CAPSCREW / VIS H M06x50 8.8 BI FP	
4	110003	3	M06 GR08 LOCK NUT / ECROU FREIN M6 CL08 BI	
5	120009	3	dD 06x14 LOCK WASHER / RONDELLE CONTACT dD 06x14 BI	
6	120024	2	M4 LOCK WASHER / RONDELLE CONTACT M4 BI	
7	2080040	16	FASTENER, BLIND / ATTACHE, BORGNE	
8	2600281	4	HINGE, SELF CLOSING STAINLESS / CHARNIERE INOX FERMETURE AUTO	
9	3340962	2	PAD, ARM REST / BUTEE D'ARRET	
10	3820037	8	RIVET, NUT M6 / ECROU RIVET M6	
11	400099	8	CAP, 30x30 / BOUCHON 30x30	
12	4071095	4	SHIM, SSV-10 PLATFORM GATE / CALE D'ARRET PORTE PLATE-FORME	
13	4220309	4	STOP SWING GATE / BUTEE, PORTE PLATE-FORME	
14	8990147	1	HOLDER, MANUAL / BOITE PORTE-DOCUMENTS	
15	DL0861	1	PLATFORM WELDMENT / STRUCTURE PLATE-FORME	
16	DL0862	2	PLATFORM, GATE / PORTILLON	
17	ST2741	1	SENSOR CONTROL TOOL / CALE DE VERIFICATION	
18	ST3234	1	PLATE, CONNECTOR BOX COVER / CARTER CONNECTEURS BOITIER	
100	SA0015	Ref	INSTALL, UPPER CONTROL BOX / INSTALLATION BOITIER HAUT	
101	000008	2	M06x25 8.8 SOCKET HEAD MACH SCREW / VIS CHC M06x25 8.8 BI FT	
102	120004	2	dD 06x25 WASHER / RONDELLE dD 06x25x1.2 BI	
103	SE0923	1	PLATFORM CONSOLE / BOITIER HAUT (Prior to SN A300053023)	B
103	SE1201	1	PLATFORM CONSOLE / BOITIER HAUT (SN A300053023 to Present)	B
200	SA0020	Ref	INSTALL, CONTAINER STORAGE TRAY / INSTALLATION BOITE A OUTILS	
201	0641406	2	HEX HD CAPSCREW, 1/4-20 x 3/4 LG / VIS H 1/4-20 x 3/4 LG	
202	1580012	1	CONTAINER, STORAGE TRAY / BOITE A OUTILS	
203	4751400	2	WASHER, 1/4" DIA PLAIN STL., WIDE / RONDELLE LARGE D 1/4"	
204	4761400	2	WASHER, 1/4" DIA ZINC PLT LOCK / RONDELLE FREIN D1/4" BI	

SECTION 5 - PLATFORM INSTALL / INSTALLATION PLATE-FORME

FIGURE 5-3. PLATFORM CONSOLE ASSEMBLY / ASSEMBLAGE BOITIER HAUT



SECTION 5 - PLATFORM INSTALL / INSTALLATION PLATE-FORME

FIGURE 5-3. PLATFORM CONSOLE ASSEMBLY / ASSEMBLAGE BOITIER HAUT

ITEM	PART NUMBER	QTY	DESCRIPTION	REV
	SE0923		10E PLATFORM CONSOLE / 10E BOITIER HAUT (Prior to SN A300036845, SN A300090000 through A300091266, SN E300000000 through E300001504, SN 1300000000 through 1300007042)	B
	SE0923	1	26E PLATFORM CONSOLE / 26E BOITIER HAUT (Prior to SN A300053023)	B
	SE1201	1	10E PLATFORM CONSOLE / 10E BOITIER HAUT (SN A300036845 through A300037516)	B
	SE1201	1	26E PLATFORM CONSOLE / 26E BOITIER HAUT (SN A300053023 to Present)	B
1	0140011	1	ALARM / AVERTISSEUR SONORE	
2	240056	1	NO CONTACT BLOCK WITH HOLDER / EMBASE CONTACT NO	
2A	240076	1	SWITCH BASE / EMBASE CONTACT	
2B	240058	1	NO CONTACT BLOCK / CONTACT NO	
3	0861784	1	UPPER CONTROL BOX / BOITIER HAUT	
4	1600458	1	JOYSTICK / JOYSTICK	
4A	70000084	1	CAP, RUBBER BOOT / PROTECTION CAHOUTCHOU	
4A	7027365	1	ACTUATOR HANDLE / ACTIONNEUR A BASCULE	
4B	7027367	1	SWITCH ENABLER / CONCTACT VALIDATION	
4B	7027765	1	LEVER ENABLER / GACHETTE VALIDATION	
4C	70000682	1	RUBBER BELLOWS / SOUFFLET CAHOUTCHOU	
4D	7027766	1	BOOT RETAINING RING / ANNEAU DE BLOCAGE	
4E	130062	4	M04x16 8.8 ROUND HEAD MACH SCREW; INFO - E / VIS BOMBEE ULF M04x16 8.8 BI FT; INFO - E	B
5	1706898	1	DECAL, EMERGENCY / AUTOCOLLANT ARRET D'URGENCE	
6	3575796	1	PLATE, D SLOT / PLAQUE ANTI-ROTATION	
7	3820019	4	RIVET, POP D4.75 L11.4 / RIVET POP D4.75 L11.4	
8	3900357	5	IF NOT EQUIPPED WITH REP 28 - M06x16 10.9 BUTTON HEAD MACH SCREW / SI NON EQUIPE DU REP 28 - VIS BOMBEE ULF M06x16 10.9 BI FT	
8	3900364	5	IF EQUIPPED WITH REP 28 - M06x20 10.9 BUTTON HEAD MACH SCREW / SI EQUIPE DU REP 28 - VIS BOMBEE ULF M06x20 10.9 BI FT	B
9	3900358	3	M06x10 10.9 BUTTON HEAD MACH SCREW / VIS BOMBEE ULF M06x10 10.9 BI FT	
10	3900359	6	M04x06 10.9 BUTTON HEAD MACH SCREW / VIS BOMBEE ULF M04x06 10.9 BI FT	
11	3960617	1	SEAL, FOAM GASKET / JOINT MOUSSE	
12	4340871	1	MOUNT / BRIDE RENFORT	
13	4360562	1	COMPLETE KNOB / ARRET D'URGENCE COMPLET	
13A	240076	1	SWITCH BASE / EMBASE CONTACT	
13B	240057	1	NC CONTACT BLOCK / CONTACT NF	
13C	240060	1	TURN TO RELEASE KNOB / BOUTON D'ARRET D'URGENCE 1/4 TOUR	
14	4460496	1	LOCKWASHER, DEUTSCH TERMINAL / RONDELLE CONNECTEUR DEUTSCH	
15	4460497	1	NUT, DEUTSCH TERMINAL HD30 / ECROU CONNECTEUR DEUTSCH HD30	
16	1001091989	1	MEMBRANE SWITCHES / INTERUPTEURS A MEMBRANE	
17	1001100421	2	JOYSTICK SINGLE AXIS / JOYSTICK 1 AXE	
17	70022816	2	CAP, JOYSTICK PROTECTION BOOT / CAPUCHON DE PROTECTION JOYSTICK	
17A	000093	2	M03x08 8.8 SOCKET HEAD MACH SCREW; INFO - A / VIS CHC	B

SECTION 5 - PLATFORM INSTALL / INSTALLATION PLATE-FORME

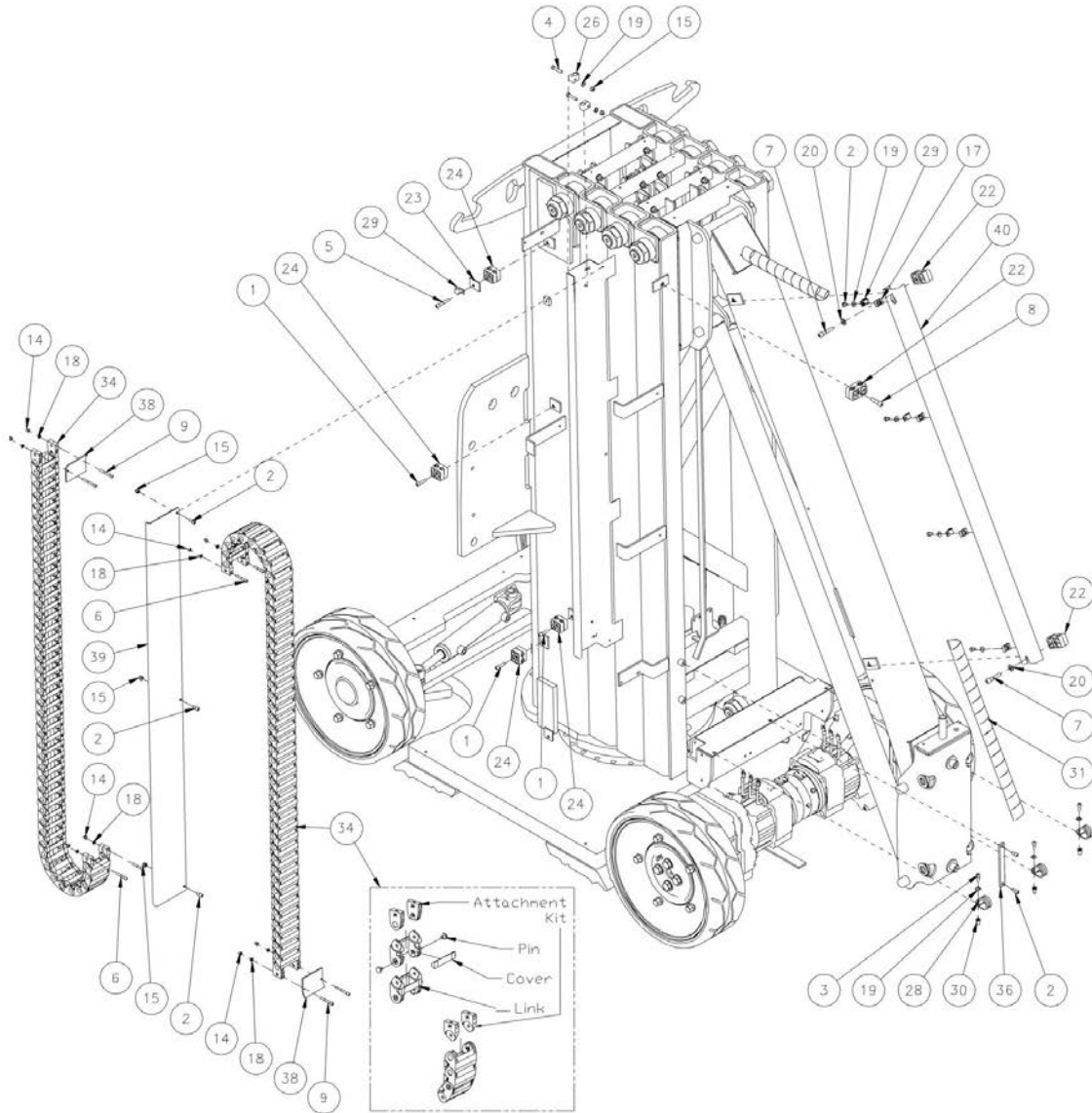
ITEM	PART NUMBER	QTY	DESCRIPTION	REV
18	1001109239	1	M03x08 8.8 BI FT; INFO - A P/C BOARD WITH SOFTWARE / CARTE BOITIER HAUT PROGRAMMEE	
19	1001115919	1	SWITCH, PUSH BUTTON-ENABLE / BP DE VALIDATION	A
20	1001117177	1	SWITCH, NEOPRENE BOOT / CAPUCHON D'ETANCHEITE NEOPRENE	A
21	AU2088	1	DECAL, UPPER CONTROL BOX / AUTOCOLLANT BOITIER HAUT	
22	DL0817	1	JOYSTICK GUARD / PROTECTION JOYSTICK	
23	PC0463	1	10E HARNESS, UCB / 10E FAISCEAU BOITIER HAUT (Prior to SN A300036845, SN A300090000 through A300091266, SN E300000000 through E300001504, SN 1300000000 through 1300007042)	B
23	PC0463	1	26E HARNESS, UCB / 26E FAISCEAU BOITIER HAUT (Prior to SN A300053023)	B
23	PC0606	1	10E HARNESS,UCB / 10E FAISCEAU BOITIER HAUT (SN A300036845 through A300037516)	B
23	PC0606	1	26E HARNESS, UCB / 26E FAISCEAU BOITIER HAUT (SN A300053023 to Present)	B
24	PC0464	1	HARNESS, JOYSTICK / FAISCEAU JOYSTICK	
25	1001155328	1	SEAL, CONTROL BOX LID / JOINT FACADE BOITIER HAUT	B
26	ST3143	1	CONSOLE COVER PLATE / PLATINE BOITIER HAUT	
27	ST3312	1	PLATE, PLUG MOUNT / PLATINE MONTAGE CONNECTEUR	A
28	ST3673	1	2013 TO PRESENT - PLATE, JOYSTICK SPACER / DEPUIS 2013 - TOLE ENTRETOISE JOYSTICK	B
29	ST3674	1	2013 TO PRESENT - SEAL, JOYSTICK SPACER / DEPUIS 2013 - JOINT ENTRETOISE JOYSTICK	B

SECTION 6 - POWER TRACKS AND CLAMPS / CHAINES PORTE-CABLES

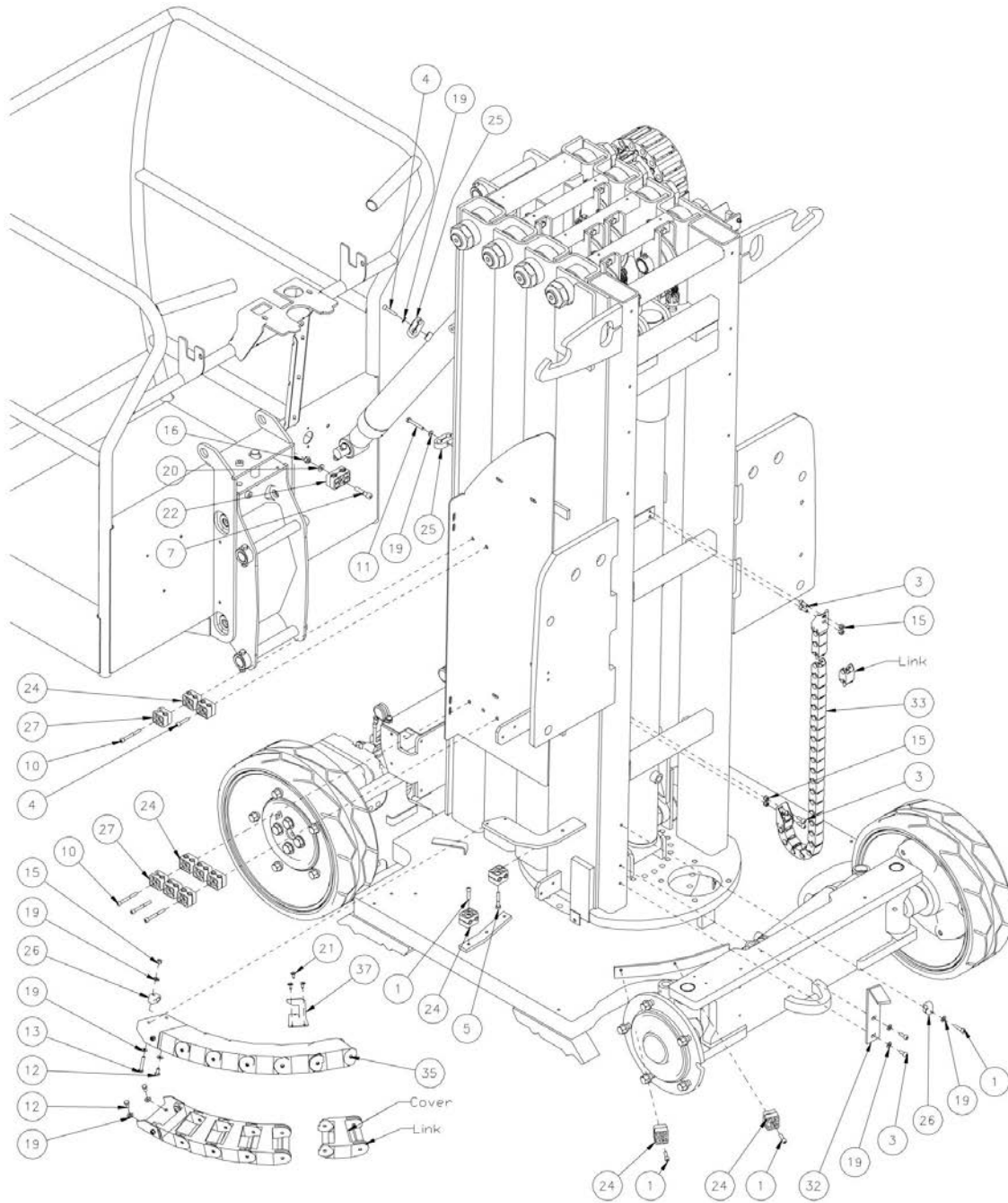
SECTION 6 - POWER TRACKS AND CLAMPS / CHAINES PORTE-CABLES

SECTION 6 - POWER TRACKS AND CLAMPS / CHAINES PORTE-CABLES

FIGURE 6-1. POWER TRACKS AND CLAMPS INSTALL (T10E) / INSTALLATION CHAINES PORTE-CABLES (T10E) (SN A300090000 through A300090271)



SECTION 6 - POWER TRACKS AND CLAMPS / CHAINES PORTE-CABLES



SECTION 6 - POWER TRACKS AND CLAMPS / CHAINES PORTE-CABLES

FIGURE 6-1. POWER TRACKS AND CLAMPS INSTALL (T10E) / INSTALLATION CHAINES PORTE-CABLES (T10E) (SN A300090000 through A300090271)

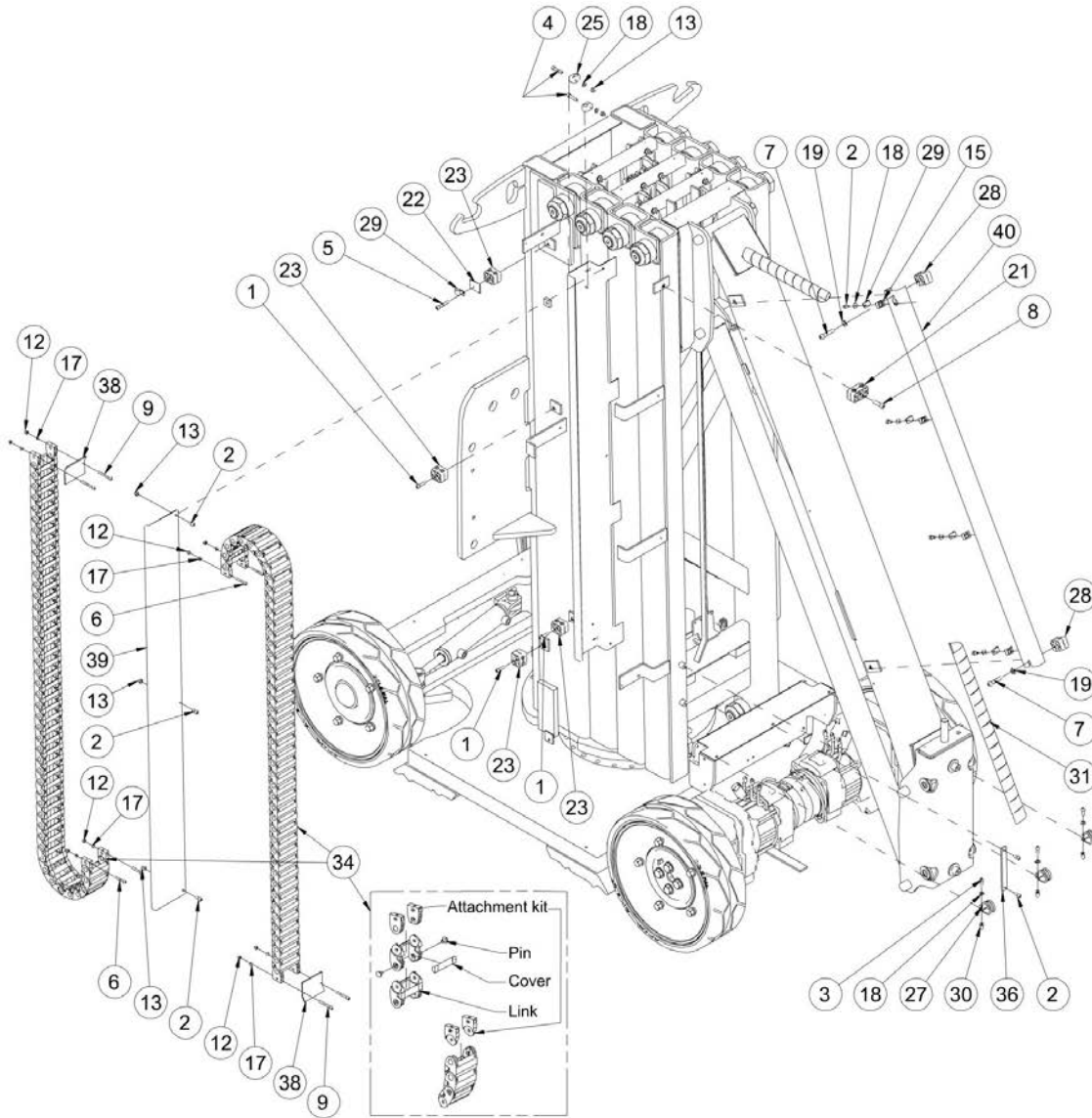
ITEM	PART NUMBER	QTY	DESCRIPTION	REV
		Ref	INSTALL, POWER TRACKS AND CLAMPS (T10E); INFO - SA0008 / INSTALLATION CHAINES PORTE-CABLES (T10E); INFO - SA0008 (SN A300090000 through A300090272)	
1	000008	7	M06x25 8.8 SOCKET HEAD MACH SCREW / VIS CHC M06x25 8.8 BI FT	
2	000014	9	M06x12 8.8 SOCKET HEAD MACH SCREW / VIS CHC M06x12 8.8 BI FT	
3	000015	9	M06x16 8.8 SOCKET HEAD MACH SCREW / VIS CHC M06x16 8.8 BI FT	
4	000016	4	M06x30 8.8 SOCKET HEAD MACH SCREW / VIS CHC M06x30 8.8 BI FT	
5	000017	2	M06x40 8.8 SOCKET HEAD MACH SCREW / VIS CHC M06x40 8.8 BI FT	
6	000030	4	M05x35 8.8 SOCKET HEAD CAPSCREW / VIS CHC M05x35 8.8 ZI FP	
7	000043	3	M08x40 8.8 SOCKET HEAD MACH SCREW / VIS CHC M08x40 8.8 BI FT	
8	000044	1	M08x30 8.8 SOCKET HEAD MACH SCREW / VIS CHC M08x30 8.8 BI FT	
9	000051	4	M05x45 8.8 SOCKET HEAD CAPSCREW / VIS CHC M05x45 8.8 BI FP	
10	000073	4	M06x55 8.8 SOCKET HEAD CAPSCREW / VIS CHC M06x55 8.8 BI FP	
11	100004	1	M06x45 8.8 HEX HEAD MACHINE SCREW / VIS H M06x45 8.8 BI FT	
12	100027	3	M06x12 8.8 HEX HEAD MACHINE SCREW / VIS H M06x12 8.8 BI FT	
13	100051	1	M06x35 8.8 HEX HEAD MACHINE SCREW / VIS H M06x35 8.8 BI FT	
14	110002	8	M05 GR08 LOCK NUT / ECROU FREIN M5 CL08 BI	
15	110003	10	M06 GR08 LOCK NUT / ECROU FREIN M6 CL08 BI	
16	110004	1	M08 GR08 LOCK NUT / ECROU FREIN M8 CL08 BI	
17	110026	4	M06 CAGE HEX NUT / ECROU CAGE M06	
18	120002	8	M05 WASHER / RONDELLE M05 BI	
19	120009	19	dD 06x14 LOCK WASHER / RONDELLE CONTACT dD 06x14 BI	
20	120010	3	dD 08x18 LOCK WASHER / RONDELLE CONTACT dD 08x18 BI	
21	130007	3	Ø4.8x13 SELF TAPPING SCREW / VIS AUTOTARAUDEUSE Ø4.8-13 BI	
22	400011	4	CLAMP, TWIN D15 / COLLIER DOUBLE D15	
23	400012	1	CLAMP COVER PLATE T1 / PLAQUE DE SERRAGE T1	
24	400018	15	CLAMP, TWIN D12 / COLLIER DOUBLE D12	
25	400046	2	CLAMP, TWIN D12 / COLLIER DOUBLE D12	
26	400047	4	CLAMP, SINGLE D12 / COLLIER D12	
27	400092	2	CLAMP, TWIN D12.7 / D15 / COLLIER DOUBLE D12.7 / D15	
28	400096	3	CLAMP, SINGLE D28 mm / COLLIER D28 mm	
29	1321293	5	CLAMP, INSULATED BAND / COLLIER ISOLE	
30	3820037	3	RIVET, NUT M6 / ECROU RIVET M6	
31	400010	0.8 m	HOSE GUARD (quantity indicated in meter) / GAINÉ (quantité en mètres)	
32	DL0828	1	BRACKET, POWER TRACK SUPPORT / SOUTIEN DE CHAINE PORTE-CABLES	
33	ST0838	1	POWER TRACKS / CHAINE PORTE-CABLES	
33	920052	x	POWER TRACKS LINK / MAILLON CHAINE PORTE-CABLE	

SECTION 6 - POWER TRACKS AND CLAMPS / CHAINES PORTE-CABLES

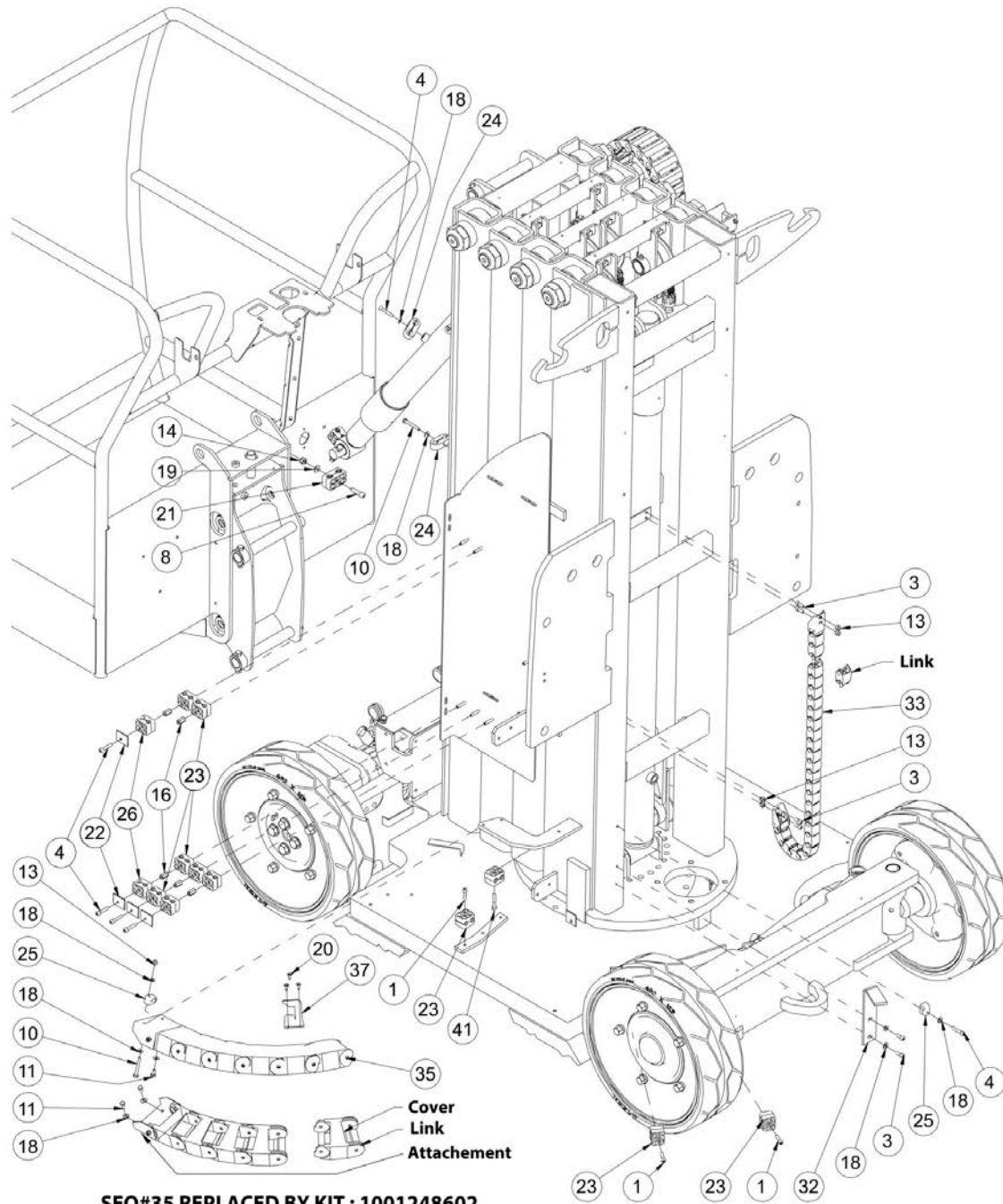
ITEM	PART NUMBER	QTY	DESCRIPTION	REV
34	ST1326	2	POWER TRACKS / CHAINE PORTE-CABLES	
34	920042	x	POWER TRACKS LINK / MAILLON CHAINE PORTE-CABLES	
34	920045	x	POWER TRACKS PIN PG305 / AXE CHAINE PORTE-CABLE PG305	
34	920046	x	POWER TRACKS COVER / CAPOT CHAINE PORTE-CABLES	
34	920073	x	POWER TRACKS ATTACHMENT KIT SR305 / KIT ATTACHES CHAINE PORTE CBL SR305	
35	ST1328	1	ROTARY POWER TRACKS / CHAINE PORTE-CABLES CIRCULAIRE	
35	920002	x	ROTARY POWER TRACKS LINK / MAILLON DE CHAINE CIRCULAIRE	
35	920008	x	ROTARY POWER TRACKS COVER / CLIP CHAINE PORTE-CABLES CIRCULAIRE	
36	ST3010	1	HOSE RETAINING PLATE / PLAT DE BRIDAGE	
37	ST3216	1	PLATE, POWER TRACK HOOK / SOUTIEN DE CHAINE PORTE-CABLES	
38	ST3219	2	PLATE, CABLES KEEPER / BRIDE DE CABLES	
39	ST3220	1	PLATE, CHANNEL COVER / COUVERCLE DE GOULOTTE	
40	ST3221	1	CHANNEL, JIB / GOULOTTE DE BRAS	

SECTION 6 - POWER TRACKS AND CLAMPS / CHAINES PORTE-CABLES

FIGURE 6-2. POWER TRACKS AND CLAMPS INSTALL / INSTALLATION CHAINES PORTE-CABLES
(10E Except SN A300090000 through A300090271)



SECTION 6 - POWER TRACKS AND CLAMPS / CHAINES PORTE-CABLES



**SEQ#35 REPLACED BY KIT : 1001248602
PRIOR 26E-A300056552 and for all 10E**

SECTION 6 - POWER TRACKS AND CLAMPS / CHAINES PORTE-CABLES

FIGURE 6-2. POWER TRACKS AND CLAMPS INSTALL / INSTALLATION CHAINES PORTE-CABLES
(10E Except SN A300090000 through A300090271)

ITEM	PART NUMBER	QTY	DESCRIPTION	REV
		Ref	INSTALL,POWER TRACKS AND CLAMPS (T26E & T10E); INFO - SA0008 / INSTALLATION CHAINES PORTE-CABLES (T26E & T10E); INFO - SA0008 (10E Except SN A300090000 through A300090271)	D
1	000008	6	M06x25 8.8 SOCKET HEAD MACH SCREW / VIS CHC M06x25 8.8 BI FT	
2	000014	9	M06x12 8.8 SOCKET HEAD MACH SCREW / VIS CHC M06x12 8.8 BI FT	
3	000015	9	M06x16 8.8 SOCKET HEAD MACH SCREW / VIS CHC M06x16 8.8 BI FT	
4	000016	8	M06x30 8.8 SOCKET HEAD MACH SCREW / VIS CHC M06x30 8.8 BI FT	B
5	000017	1	M06x40 8.8 SOCKET HEAD MACH SCREW / VIS CHC M06x40 8.8 BI FT	D
6	000030	4	M05x35 8.8 SOCKET HEAD CAPSCREW / VIS CHC M05x35 8.8 ZI FP	
7	000043	2	M08x40 8.8 SOCKET HEAD MACH SCREW / VIS CHC M08x40 8.8 BI FT	
8	000044	2	M08x30 8.8 SOCKET HEAD MACH SCREW / VIS CHC M08x30 8.8 BI FT	
9	000051	4	M05x45 8.8 SOCKET HEAD CAPSCREW / VIS CHC M05x45 8.8 BI FP	
10	100004	2	M06x45 8.8 HEX HEAD MACHINE SCREW / VIS H M06x45 8.8 BI FT	
11	100027	3	M06x12 8.8 HEX HEAD MACHINE SCREW / VIS H M06x12 8.8 BI FT	
12	110002	8	M05 GR08 LOCK NUT / ECROU FREIN M5 CL08 BI	
13	110003	10	M06 GR08 LOCK NUT / ECROU FREIN M6 CL08 BI	
14	110004	1	M08 GR08 LOCK NUT / ECROU FREIN M8 CL08 BI	
15	110026	4	M06 CAGE HEX NUT / ECROU CAGE M06	
16	110041	5	NUT,M6 EXTENSION / ECROU RALLONGE M6	B
17	120002	8	M05 WASHER / RONDELLE M05 BI	
18	120009	19	dD 06x14 LOCK WASHER / RONDELLE CONTACT dD 06x14 BI	
19	120010	3	dD 08x18 LOCK WASHER / RONDELLE CONTACT dD 08x18 BI	
20	130007	3	Ø4.8x13 SELF TAPPING SCREW / VIS AUTOTARAUDEUSE Ø4.8-13 BI	
21	400011	2	CLAMP, TWIN D15 / COLLIER DOUBLE D15	C
22	400012	5	CLAMP COVER PLATE T1 / PLAQUE DE SERRAGE T1	B
23	400018	15	CLAMP, TWIN D12 / COLLIER DOUBLE D12	
24	400046	2	CLAMP, TWIN D12 / COLLIER DOUBLE D12	
25	400047	4	CLAMP, SINGLE D12 / COLLIER D12	
26	400092	2	CLAMP, TWIN D12.7 / D15 / COLLIER DOUBLE D12.7 / D15	
27	400096	3	CLAMP, SINGLE D28 mm / COLLIER D28 mm	
28	400100	2	CLAMP, TWIN D12 - M8 / COLLIER DOUBLE D12 - M8	C
29	1321293	5	CLAMP,INSULATED BAND / COLLIER ISOLE	
30	3820037	3	RIVET,NUT M6 / ECROU RIVET M6	
31	400010	0.8	HOSE GUARD (quantity indicated in meter) / GAINÉ (quantité en mètres)	
32	DL0828	1	BRACKET,POWER TRACK SUPPORT / SOUTIEN DE CHAINE PORTE-CABLES	
33	ST0838	1	POWER TRACKS / CHAINE PORTE-CABLES	
33	920052	x	POWER TRACKS LINK / MAILLON CHAINE PORTE-CABLE	

SECTION 6 - POWER TRACKS AND CLAMPS / CHAINES PORTE-CABLES

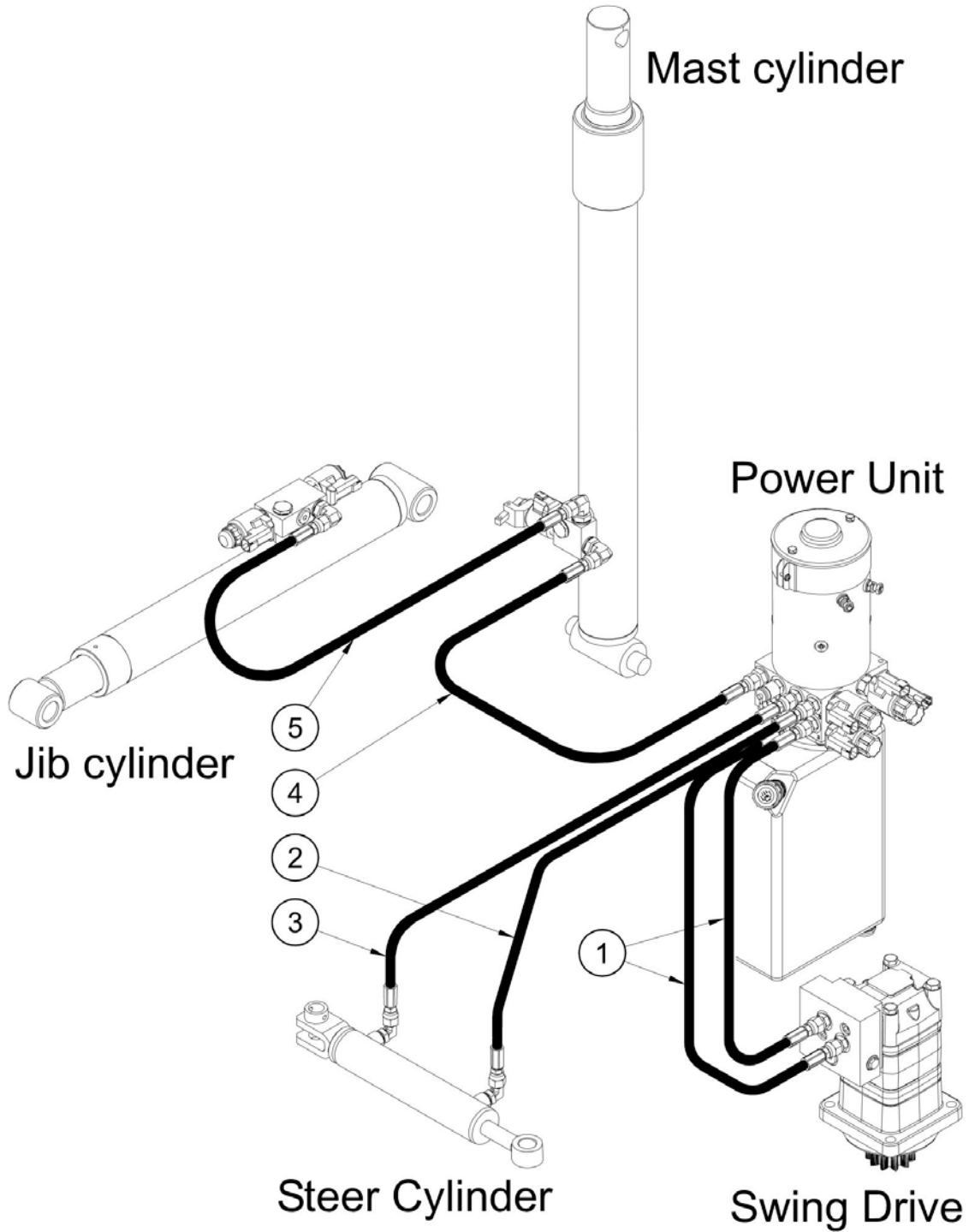
ITEM	PART NUMBER	QTY	DESCRIPTION	REV
34	ST1326	2	POWER TRACKS / CHAINE PORTE-CABLES	
34	920042	x	POWER TRACKS LINK / MAILLON CHAINE PORTE-CABLES	
34	920045	x	POWER TRACKS PIN PG305 / AXE CHAINE PORTE-CABLE PG305	
34	920046	x	POWER TRACKS COVER / CAPOT CHAINE PORTE-CABLES	
34	920073	x	POWER TRACKS ATTACHMENT KIT SR305 / KIT ATTACHES CHAINE PORTE CBL SR305	
35	ST1328	1	ROTARY POWER TRACKS / CHAINE PORTE-CABLES CIRCULAIRE (Prior to SN A300056552)	D
35	920002	x	ROTARY POWER TRACKS LINK / MAILLON CHAINE CIRCULAIRE (Prior to SN A300056552)	D
35	920008	x	ROTARY POWER TRACKS COVER / CLIP CHAINE CIRCULAIRE (Prior to SN A300056552)	D
35	1001239742	1	CIRCULAR POWER BRIDGE / CHAINE PORTE-CABLES CIRCULAIRE (SN A300056552 to Present)	D
35	1001248510	x	POWER TRACK, LINK / MAILLON CHAINE CIRCULAIRE (SN A300056552 to Present)	D
35	1001248511	x	POWER TRACK, COVER / CLIP CHAINE CIRCULAIRE (SN A300056552 to Present)	D
35	1001248513	x	POWER TRACK, ATTACHMENT / ATTACHE CHAINE CIRCULAIRE (SN A300056552 to Present)	D
36	ST3010	1	HOSE RETAINING PLATE / PLAT DE BRIDAGE	
37	ST3216	1	PLATE, POWER TRACK HOOK / SOUTIEN DE CHAINE PORTE-CABLES (Prior to SN A300056552)	D
37	1001239741	1	PLATE, POWER TRACK HOOK / SOUTIEN DE CHAINE PORTE-CABLES (SN A300056552 to Present)	D
38	ST3219	2	PLATE, CABLES KEEPER / BRIDE DE CABLES	
39	ST3220	1	PLATE, CHANNEL COVER / COUVERCLE DE GOULOTTE	
40	ST3221	1	CHANNEL, JIB / GOULOTTE DE BRAS	
41	000026	1	M06x50 8.8 SOCKET HEAD CAPSCREW / VIS CHC M06x50 8.8 BI FP	D

SECTION 7 - HYDRAULIC INSTALL / INSTALLATION HYDRAULIQUE

SECTION 7 - HYDRAULIC INSTALL / INSTALLATION HYDRAULIQUE

SECTION 7 - HYDRAULIC INSTALL / INSTALLATION HYDRAULIQUE

FIGURE 7-1. HOSES KIT DIAGRAM / SCHEMA KIT FLEXIBLES



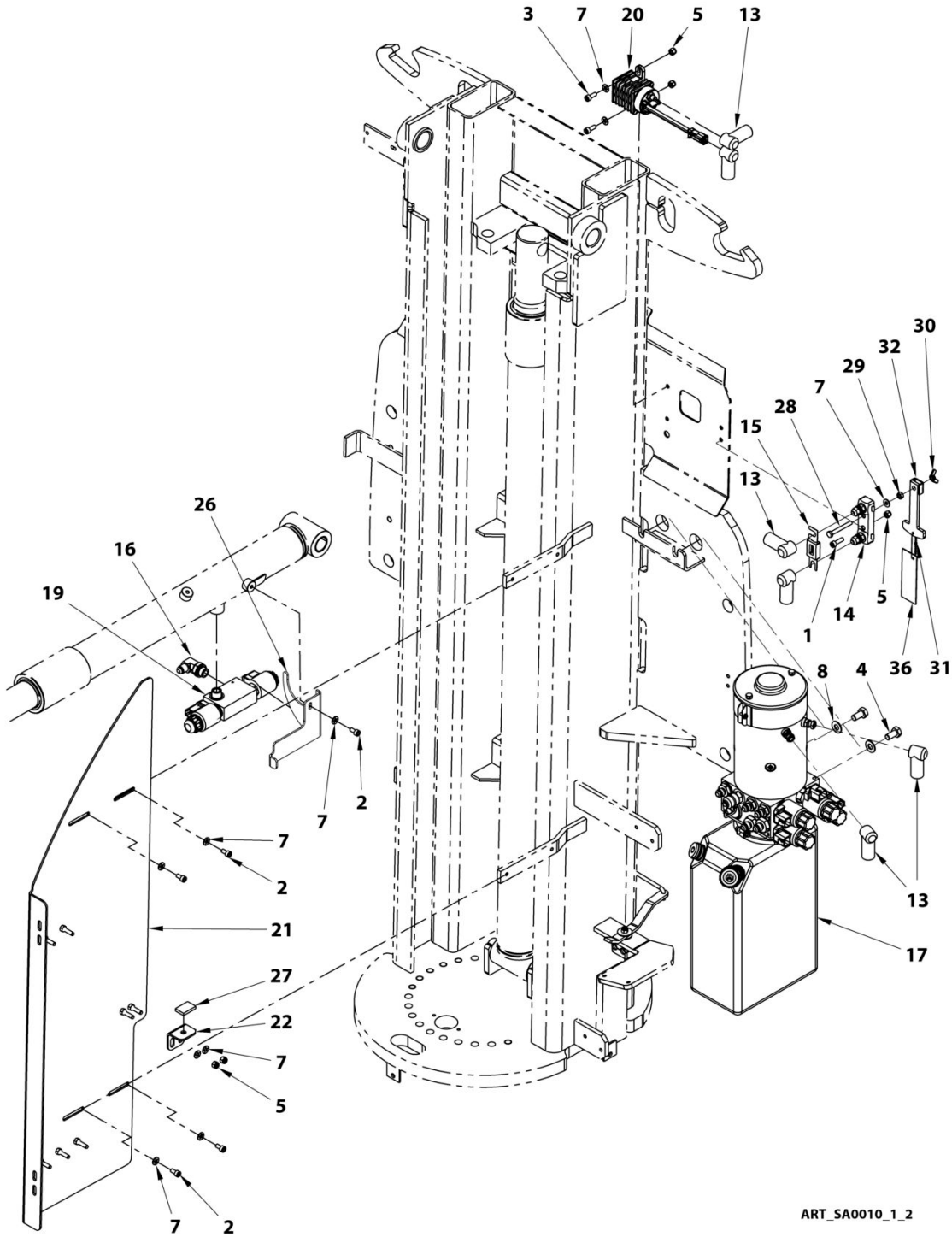
SECTION 7 - HYDRAULIC INSTALL / INSTALLATION HYDRAULIQUE

FIGURE 7-1. HOSES KIT DIAGRAM / SCHEMA KIT FLEXIBLES

ITEM	PART NUMBER	QTY	DESCRIPTION	REV
	KT0143		HOSES KIT T10E; INFO - KT0143 / KIT FLEXIBLES T10E; INFO - KT0143	
1	DF0269	2	HOSE 1/4-0150cm-JIC Fem 9/16-JIC Fem 9/16 / FLEXIBLE 1/4-0150cm-JIC Fem 9/16-JIC Fem 9/16	
2	DF0710	1	HOSE 1/4-0410cm-JIC Fem 9/16-JIC Fem 9/16-Yel-BI / FLEXIBLE 1/4-0410cm-JIC Fem 9/16-JIC Fem 9/16-Yel-BI	
3	DF0975	1	HOSE 1/4-0380cm-JIC Fem 9/16-JIC Fem 9/16 / FLEXIBLE 1/4-0380cm-JIC Fem 9/16-JIC Fem 9/16	
4	DF0976	1	HOSE 5/16-0200cm-JIC Fem 9/16-JIC Fem 9/16 / FLEXIBLE 5/16-0200cm-JIC Fem 9/16-JIC Fem 9/16	
5	DF0977	1	HOSE 5/16-0880cm-JIC Fem 9/16-JIC Fem 9/16 / FLEXIBLE 5/16-0880cm-JIC Fem 9/16-JIC Fem 9/16	

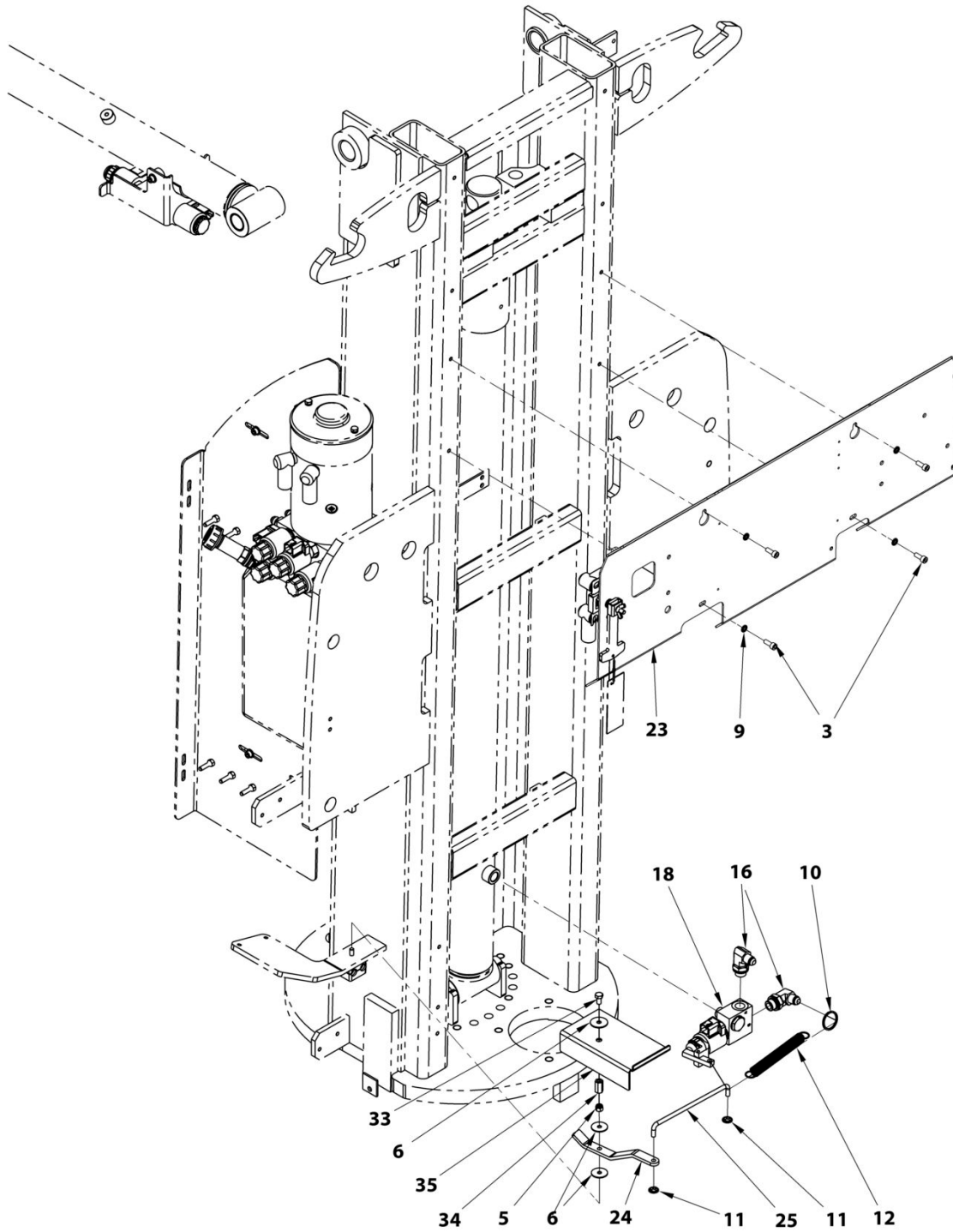
SECTION 7 - HYDRAULIC INSTALL / INSTALLATION HYDRAULIQUE

FIGURE 7-2. CONTROL VALVES INSTALL / INSTALLATION DISTRIBUTEURS



ART_SA0010_1_2

SECTION 7 - HYDRAULIC INSTALL / INSTALLATION HYDRAULIQUE



ART_SA0010_2_2

SECTION 7 - HYDRAULIC INSTALL / INSTALLATION HYDRAULIQUE

FIGURE 7-2. CONTROL VALVES INSTALL / INSTALLATION DISTRIBUTEURS

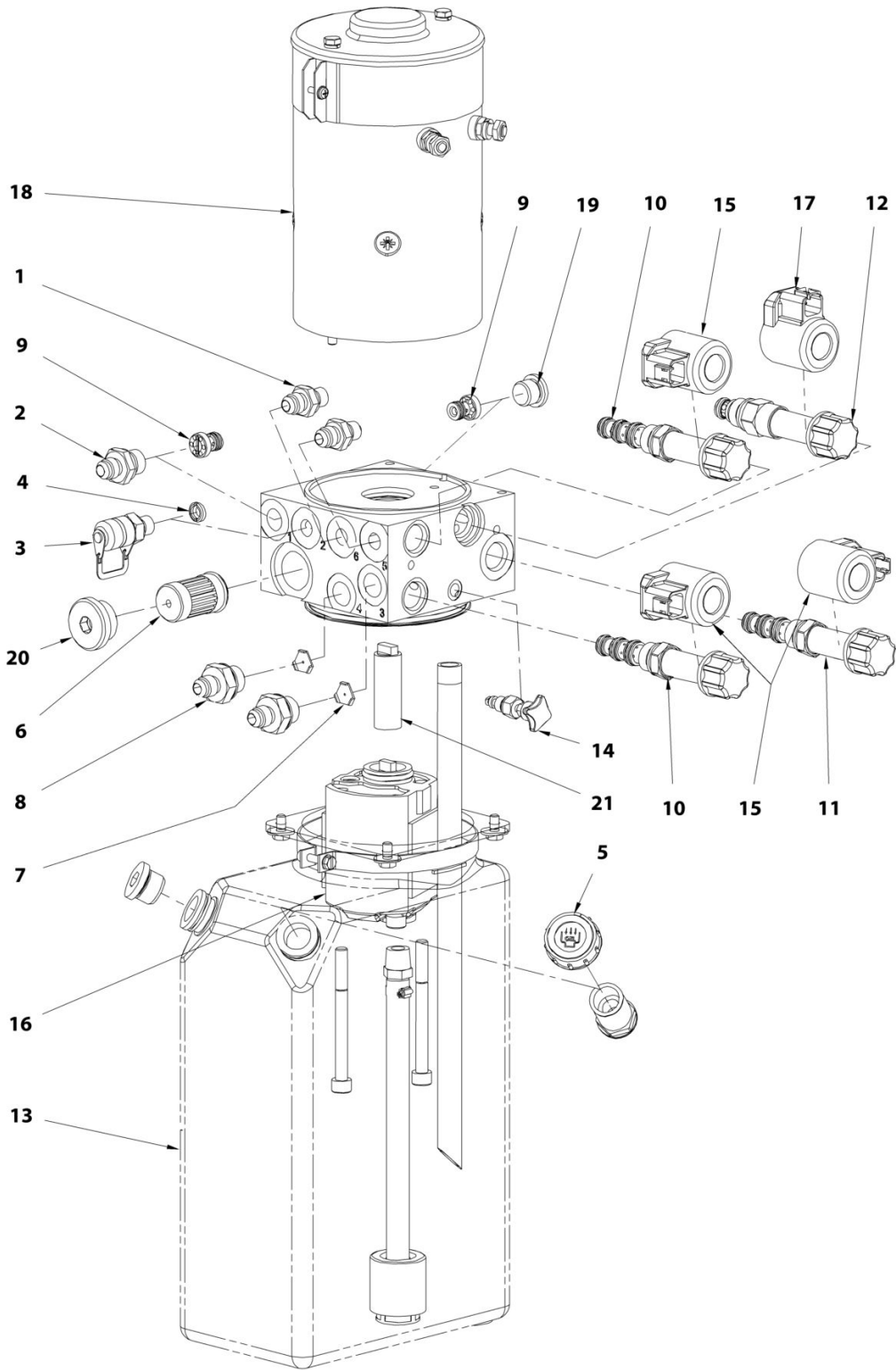
ITEM	PART NUMBER	QTY	DESCRIPTION	REV
		Ref	INSTALL, CONTROL VALVES; INFO - SA0010 / INSTALLATION DISTRIBUTEURS; INFO - SA0010	H
1	000005	1	M06x20 8.8 SOCKET HEAD MACH SCREW / VIS CHC M06x20 8.8 BI FT	G
2	000014	5	M06x12 8.8 SOCKET HEAD MACH SCREW / VIS CHC M06x12 8.8 BI FT	E
3	000015	6	M06x16 8.8 SOCKET HEAD MACH SCREW / VIS CHC M06x16 8.8 BI FT	AE
4	100156	2	M10x20 8.8 HEX HEAD MACHINE SCREW / VIS H M10x20 8.8 BI FT	
5	110003	6	M06 GR08 LOCK NUT / ECROU FREIN M6 CL08 BI	AG
6	120004	3	dD 06x25 WASHER / RONDELLE dD 06x25x1.2 BI	H
7	120009	10	dD 06x14 LOCK WASHER / RONDELLE CONTACT dD 06x14 BI	FG
8	120011	2	dD 10x22 LOCK WASHER / RONDELLE CONTACT dD 10x22 BI	
9	120060	4	WASHER, D6 SERRATED LOCK / RONDELLE EVENTAIL D6	F
10	140014	1	LOCKING PIN RING / ANNEAU INDEX	
11	140024	2	WASHER-SPEC, PUSH-ON RETAINING / RONDELLE AUTO-BLOQUANTE D6	
12	160018	1	SPRING, TRACTION 160 140 1000 I / RESSORT DE TRACTION 160 140 1000 I	
13	250031	6	TERMINAL BOOT / CAPUCHON D'ETANCHEITE	
14	260077	1	POWER FUSE HOLDER / PORTE FUSIBLE DE PUISSANCE	
15	260115	1	225 A FUSE / FUSIBLE 225 A	
16	300061	3	90° ELBOW MALE BSPP 3/8-MALE JIC 9/16 / COUDE 90° MALE BSPP3/8-MALE JIC9/16	
17	520114	1	PUMP-MOTOR-TANK ASSEMBLY, 24VDC 3KW; INFO - 520114 / GROUPE HYDRAULIQUE 24VDC 3KW; INFO - 520114	
18	520115	1	VALVE, CYL. HOLDING W/ FLOW REGUL; INFO - 520115 / DIST. VERIN AVEC REGULATEUR DE DEBIT; INFO - 520115	
19	520116	1	VALVE, CYL. HOLDING W/ FLOW REGUL; INFO - 520116 / DIST. VERIN AVEC REGULATEUR DE DEBIT; INFO - 520116	
20	3740150	1	RELAY, 24VDC/100A / RELAIS, 24VDC/100A	
21	SE0926	1	HINGE MOUNT PLATE WITH INSERTS (T10E) / SUPPORT CHARNIERES AVEC INSERTS (T10E) (SN A300090000 through A300090271)	A
21	SE0927	1	OTHER MACHINE NUMBERS - HINGE MOUNT PLATE WITH STUDS / SUPPORT CHARNIERES AVEC GOUJONS - NUMERO MACHINE DIFFERENT (Except SN A300090000 through A300090271)	A
22	ST3173	1	LATCH BRACKET / EQUERRE VERROU	
23	ST3215	1	PLATE, MOUNT / PLATINE	
24	ST3230	1	10E LEVER, MANUAL DESCENT / 10E LEVIER, DESCENTE MANUELLE (Prior to SN A300036700, SN A300090000 through A300091266, SN E300000000 through E300001504, SN 1300000000 through 1300007042)	G
24	ST3230	1	26E LEVER, MANUAL DESCENT / 26E LEVIER DESCENTE MANUELLE (Prior to SN A300052839)	G
24	ST3703	1	10E LEVER, MANUAL DESCENT / 10E LEVIER, DESCENTE MANUELLE (SN A300036670 through A300037516)	G
24	ST3703	1	26E LEVER, MANUAL DESCENT / 26E LEVIER DESCENTE MANUELLE (SN A300052839 to Present)	G
25	ST3231	1	LINK, MANUAL DESCENT / TRINGLE, DESCENTE MANUELLE	
26	ST3232	1	PLATE, CYL. VALVE GUARD / PROTECTION VALVE VERIN	
27	400015	1	BUMPER M8 (T10E) / BUTEE ELASTIQUE M8 (T10E) (SN A300090000 through A300090271)	A

SECTION 7 - HYDRAULIC INSTALL / INSTALLATION HYDRAULIQUE

ITEM	PART NUMBER	QTY	DESCRIPTION	REV
27	ST3318	1	OTHER MACHINE NUMBERS - TOP, ELAS-TOMERE STICK / BUTEE ADHESIVE - NUMERO MACHINE DIFFERENT (Except SN A300090000 through A300090271)	A
28	100137	1	M06-050 8.8 HEX HD MACH SCREW / VIS H M06x50 8.8 BI FT (10E SN A300036670 through A300037516; 26E SN A300052839 to Present)	G
29	110015	1	M06 GR. 8.8 HEX NUT / ECROU H M06 CL08 BI (10E SN A300036670 through A300037516; 26E SN A300052839 to Present)	G
30	110042	1	WING NUT, M6 / ECROU A OREILLE M6 (10E SN A300036670 through A300037516; 26E SN A300052839 to Present)	G
31	190077	1	CHAIN,METAL BALL / CHAINE A BILLES METAL (10E SN A300036670 through A300037516; 26E SN A300052839 to Present)	G
32	DL0911	1	LEVER,BREAKDOWN CONTROLS / LEVIER DE CONTOLE PANNE (10E SN A300036670 through A300037516; 26E SN A300052839 to Present)	G
33	100027	1	M06x12 8.8 HEX HEAD MACHINE SCREW / VIS H M06x12 8.8 BI FT	H
34	110041	1	NUT M6 h=18 / ECROU M6 h=18	H
35	1001237382	1	COVER,MAST MANUAL DESCENT / PROTECTION DESCENTE MAT	H
36	AU2215	1	DECAL,SLACK CHAIN DETECTION / AUTOCOLLANT MOU DE CHAINE (10E SN A300036670 through A300037516; 26E SN A300052839 to Present)	G

SECTION 7 - HYDRAULIC INSTALL / INSTALLATION HYDRAULIQUE

FIGURE 7-3. 24VDC 3KW PUMP-MOTOR-TANK / GROUPE HYDRAULIQUE



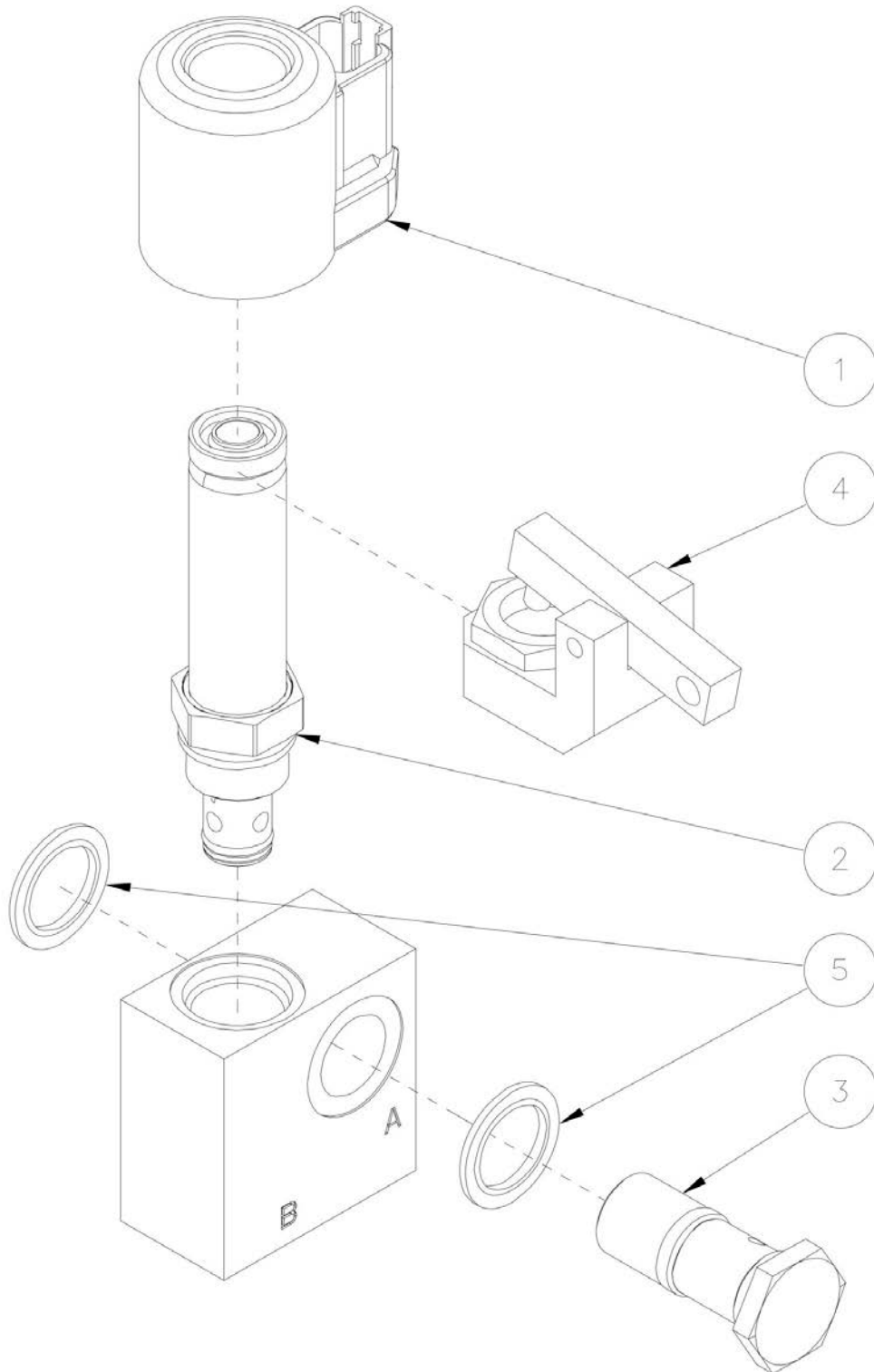
SECTION 7 - HYDRAULIC INSTALL / INSTALLATION HYDRAULIQUE

FIGURE 7-3. 24VDC 3KW PUMP-MOTOR-TANK / GROUPE HYDRAULIQUE

ITEM	PART NUMBER	QTY	DESCRIPTION	REV
	520114		PUMP-MOTOR-TANK ASSEMBLY, 24VDC 3KW; INFO - 520114 / GROUPE HYDRAULIQUE 24VDC 3KW; INFO - 520114	
1	300025	2	FITTING MALE BSPP1/4-MALE JIC9/16 / RACCORD MALE BSPP1/4-MALE JIC9/16	
2	300040	1	FITTING MALE BSPP3/8 MALE JIC9/16 / RACCORD MALE BSPP3/8 MALE JIC9/16	
3	300101	1	PRESSURE TEST PLUG BSPP1/4 / PRISE DE PRESSION BSPP1/4	
4	310091	1	SEEVE 1/4 BSPP MESH 0.1mm / TAMIS 1/4 BSPP MAILLE 0.1mm	
5	310103	1	BREATHER CAP / BOUCHON-RENIFLARD	
6	930134	1	FILTER, CARTRIDGE,10µm / ELEMENT FILTRANT 10µm	
7	930135	2	VALVE, JET / LIMITEUR DE DEBIT	
8	930136	2	ADPT, ST S JIC/MPP 6-M18 FG / RACCORD M18x150 JIC 9/16	
9	930138	2	CHECK VALVE / CLAPET A BILLE	
10	952094	2	4/2 SOLENOID DIRECTIONAL VALVEWK08Z / DISTRIBUTEUR 4/2 WK08Z	
11	952095	1	4/2 SOLENOID DIRECTIONAL VALVEWK08Y / DISTRIBUTEUR 4/2 WK08Y	
12	952096	1	PROPORTIONAL RELIEF VALVE-PDB08P / LIMITEUR DE PRESSION PROPORTIONEL PDB08P	
13	952097	1	TANK, PLASTIC_6 LITERS / RESERVOIR PLASTIQUE 6 Litres	
14	952098	1	VALVE, NEEDLE,BUILD_IN / ROBINET	
15	952099	3	COIL, 24VDC_3012599 / BOBINE 24VDC_3012599	
16	952100	1	PUMP, GEAR PUMP 3,1CC/REV / POMPE 3.1CC/Tr	
17	952101	1	COIL, 24VADC_3110057 / BOBINE 24VADC_3110057	
18	970065	1	MOTOR, 24VDC 3KW,AMK5542 / MOTEUR, 24VDC 3KW,AMK5542	
18	951034	1	BRUSH KIT FOR AMK 5542 / KIT BALAIS DE CHARBON AMK 5542	
19	300047	1	CAP BSPP 3/8 / BOUCHON BSPP 3/8	
20	952108	1	FITTING,CAP M27x0.75 / BOUCHON M27x0.75	
21	1001215691	1	COUPLING,PUMP / MOTOR / ACCOUPLEMENT POMPE / MOTEUR	

SECTION 7 - HYDRAULIC INSTALL / INSTALLATION HYDRAULIQUE

FIGURE 7-4. MAST CYLINDER HOLDING VALVE WITH FLOW REGULATOR / DISTRIBUTEUR VERIN MAT AVEC REGULATEUR DE DEBIT



SECTION 7 - HYDRAULIC INSTALL / INSTALLATION HYDRAULIQUE

FIGURE 7-4. MAST CYLINDER HOLDING VALVE WITH FLOW REGULATOR / DISTRIBUTEUR VERIN MAT AVEC REGULATEUR DE DEBIT

ITEM	PART NUMBER	QTY	DESCRIPTION	REV
	520115		VALVE, CYL. HOLDING WITH FLOW REGULATOR; INFO - 520115 / DIST. VERIN AVEC REGULATEUR DE DEBIT; INFO - 520115	
1	952099	1	COIL, 24VDC_3012599 / BOBINE 24VDC_3012599	
2	952102	1	2/2 SOLENOÏD DIRECTIONAL VALVE / DISTRIBUTEUR 2/2 WS08W	
3	952104	1	VALVE, FLOW REGULATOR-9L/MN / REGULATEUR DE DEBIT 9L/MN	
4	952106	1	MANUAL OVERRIDE SUPPORT / COMMANDE MANUELLE	
5	952107	2	BS RING_HN48-10-U 16x24.7x1.5 St/NBR / BAGUE BS_HN48-10-U 16x24.7x1.5 St/NBR	

SECTION 7 - HYDRAULIC INSTALL / INSTALLATION HYDRAULIQUE

FIGURE 7-5. JIB CYLINDER HOLDING VALVE WITH FLOW REGULATOR / DISTRIBUTEUR VERIN BRAS AVEC REGULATEUR DE DEBIT

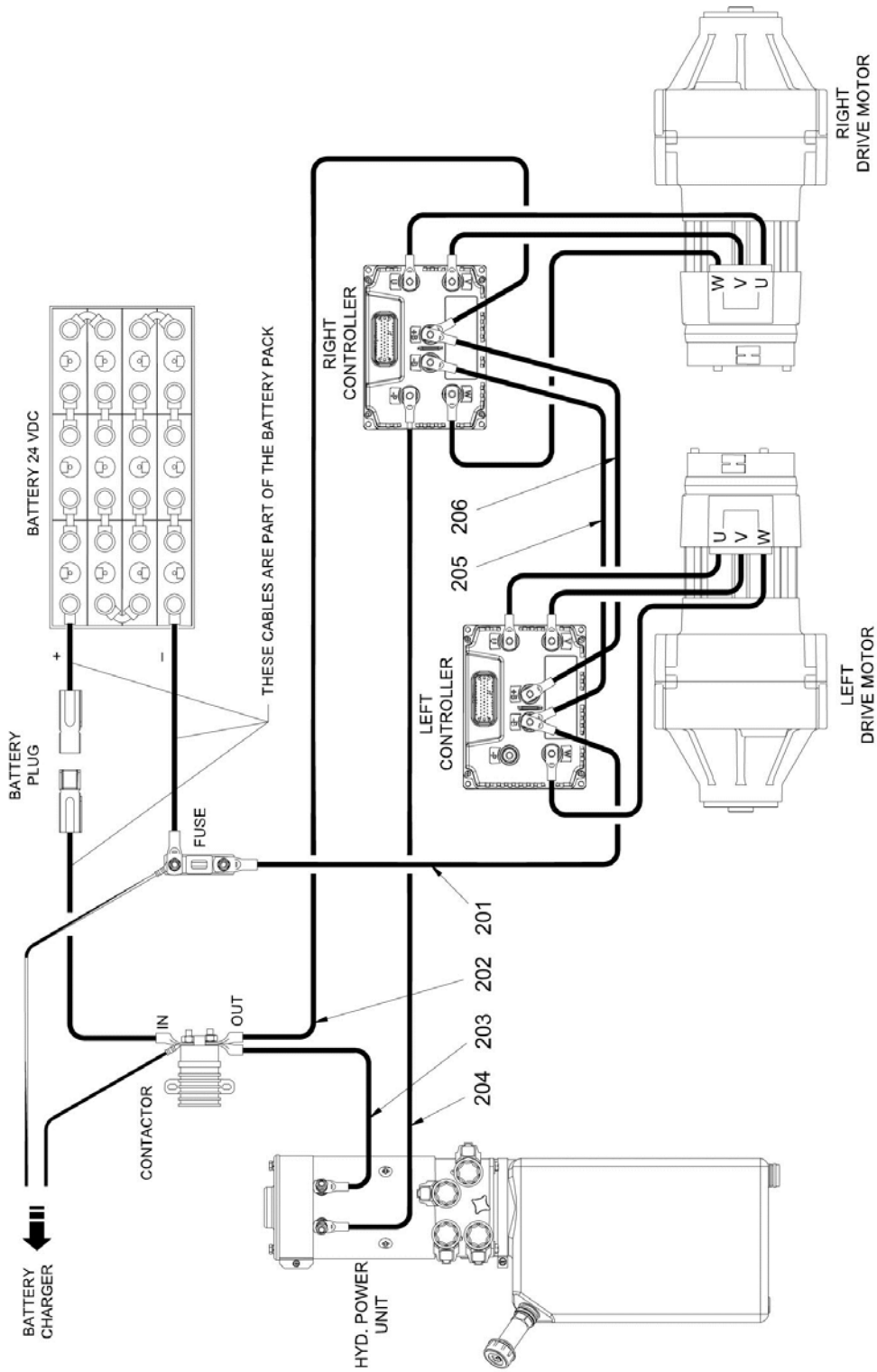
ITEM	PART NUMBER	QTY	DESCRIPTION	REV
	520116		VALVE, CYL. HOLDING WITH FLOW REGULATOR; INFO - 520116 / DIST. VERIN AVEC REGULATEUR DE DEBIT; INFO - 520116	
1	930137	1	CHECK VALVE / CLAPET A BILLE	
2	952099	2	COIL, 24VDC_3012599 / BOBINE 24VDC_3012599	
3	952102	1	2/2 SOLENOÏD DIRECTIONAL VALVE WS08W / DISTRIBUTEUR 2/2 WS08W	
3A	952157	1	CAP, PUSH BUTTON VALVE NUT / ECROU BOUCHON DISTRIBUTEUR	
4	952103	1	2/2 SOLENOÏD DIRECTIONAL VALVE WS08Z / DISTRIBUTEUR 2/2 WS08Z	
5	952105	1	VALVE, FLOW REGULATOR-5L/MN / REGULATEUR DE DEBIT 5L/MN	
6	300034	1	CAP MALE BSPP 1/4" / BOUCHON MALE BSPP 1/4"	
7	952107	2	BS RING_HN48-10-U 16x24.7x1.5 St/NBR / BAGUE BS_HN48-10-U 16x24.7x1.5 St/NBR	

SECTION 8 - ELECTRICAL SYSTEM INSTALL / INSTALLATION ELECTRIQUE

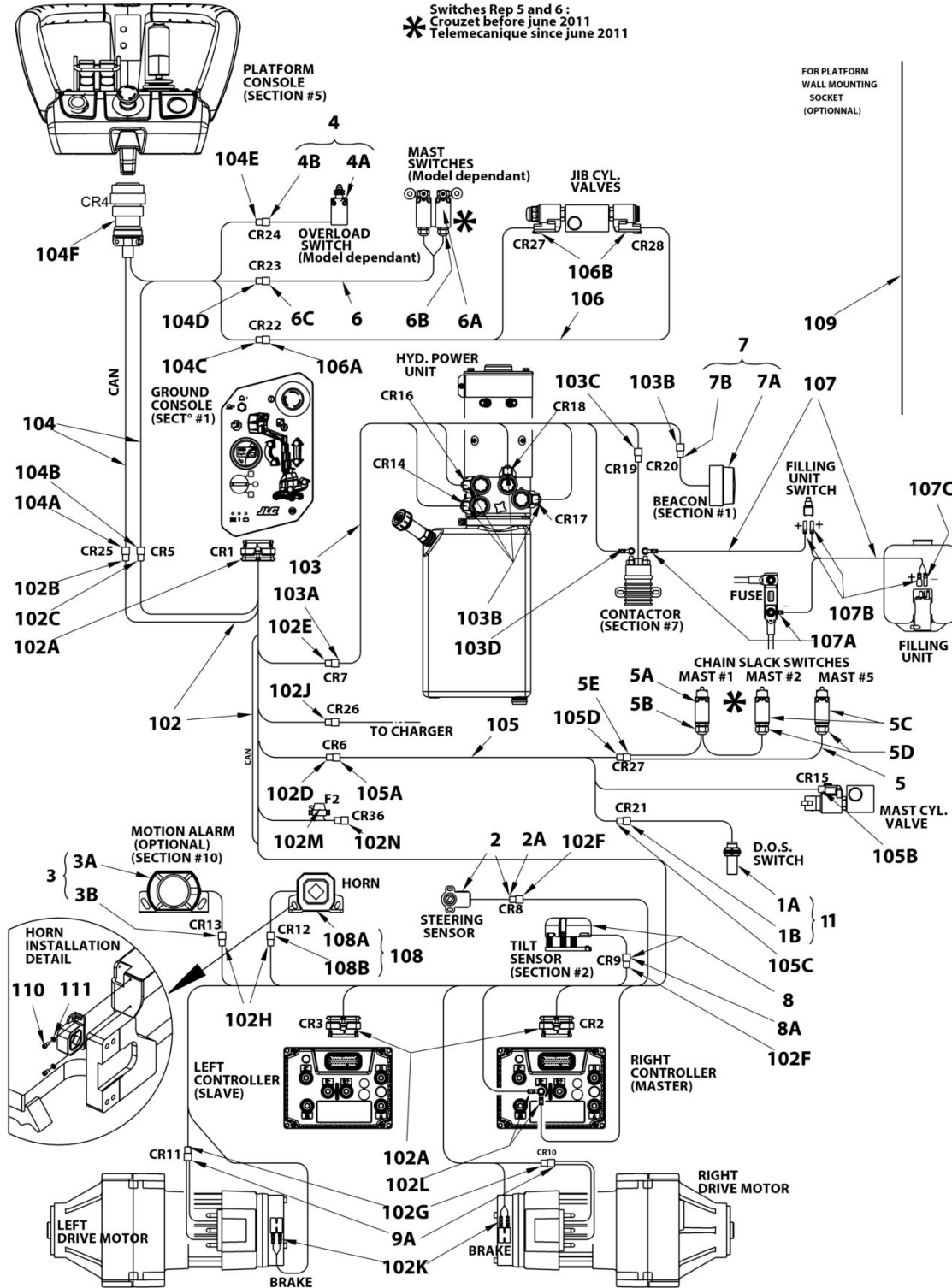
**SECTION 8 - ELECTRICAL SYSTEM INSTALL / INSTALLATION
ELECTRIQUE**

SECTION 8 - ELECTRICAL SYSTEM INSTALL / INSTALLATION ELECTRIQUE

FIGURE 8-1. CABLE INSTALL DIAGRAM / DIAGRAMME D'INSTALLATION CABLES



SECTION 8 - ELECTRICAL SYSTEM INSTALL / INSTALLATION ELECTRIQUE



SECTION 8 - ELECTRICAL SYSTEM INSTALL / INSTALLATION ELECTRIQUE

FIGURE 8-1. CABLE INSTALL DIAGRAM / DIAGRAMME D'INSTALLATION CABLES

ITEM	PART NUMBER	QTY	DESCRIPTION	REV
		Ref	INSTALL,WHOLE MACHINE CABLES; INFO - SP0941 / INSTALLATION DE TOUS LES CABLES; INFO - SP0941	C
1	4000008	1	SENSOR, PROXIMITY ASSY / FAISCEAU DETECTEUR DE PROXIMITE	
1A	4000007	1	SENSOR, PROXIMITY / DETECTEUR DE PROXIMITE	
1B	4461076	1	CONNECTOR, DEUTSCH DTM 4P RECEPTACLE / CONNECTEUR DEUTSCH DTM 4P FEMELLE	
1B	4460917	4	CONTACT DEUTSCH DTM, GOLD PIN / CONTACT DEUTSCH DTM MALE DORE	
2	4360505	1	ROTARY ANGLE SENSOR / CAPTEUR D'ANGLE	
2A	4460536	1	CONNECTOR, DEUTSCH DT 3P RECEPTACLE / CONNECTEUR DEUTSCH DT 3P FEMELLE	
2A	4460464	3	CONTACT DEUTSCH DT PIN / CONTACT DEUTSCH DT MALE	
3	PC0466	1	HARNESS, MOTION ALARM / FAISCEAU ALARME DE MOUVEMENT	
3A	260275	1	ACCOUSTIC MOTION ALARM / ALARME DE MOUVEMENT SONORE	
3B	4460897	1	CONNECTOR, DEUTSCH DT 2P RECEPTACLE / CONNECTEUR DEUTSCH DT 2P FEMELLE	
3B	4460464	2	CONTACT DEUTSCH DT PIN / CONTACT DEUTSCH DT MALE	
4	PC0468	1	HARNESS, LOAD SENSING SWITCH / FAISCEAU CAPTEUR DE SURCHARGE	
4A	260321	1	LIMIT SWITCH, SNAP ACTION / DETECTEUR DE POSITION A POUSSOIR	
4B	4460884	1	CONNECTOR, DEUTSCH DT 4P PLUG / CONNECTEUR DEUTSCH DT 4P MALE	
4B	4460465	4	CONTACT DEUTSCH DT SOCKET / CONTACT DEUTSCH DT FEMELLE	
5	PC0469	1	HARNESS, CHAIN SLACK SWITCHES / FAISCEAU CAPTEURS MOU DE CHAINE	
5A	260326	1	NO/NC SWITCH PG13 / CAPTEUR NO/NF PE13	B
5B	210059	1	GLAND N°13 2xD5 IP65 / PRESSE ETOUPE N°13 2xD5 IP65	
5C	260016	2	CROUZET-NO/NC SWITCH PG13 / CROUZET-CAPTEUR NO/NF PE13	B
5C	260327	2	TELEMECANIQUE-NO/NC SWITCH PG11 / TELEMECANIQUE- CAPTEUR NO/NF PE11	B
5D	210062	2	CROUZET-GLAND N°13 D5 IP65 / CROUZET-PRESSE ETOUPE N°13 D5 IP65	
5D	210018	2	TELEMECANIQUE-GLAND N°11 / TELEMECANIQUE-PRESSE ETOUPE N°11	B
5E	4460884	1	CONNECTOR, DEUTSCH DT 4P PLUG / CONNECTEUR DEUTSCH DT 4P MALE	
5E	4460465	4	CONTACT DEUTSCH DT SOCKET / CONTACT DEUTSCH DT FEMELLE	
6	PC0470	1	HARNESS, T10E MAST LIMIT SWITCHES / T10E - FAISCEAU CAPTEURS DE MAT	A
6A	260001	2	CROUZET-NO/NC SWITCH PG13 / CROUZET-CAPTEUR NO/NF PE13	
6A	260323	2	TELEMECANIQUE-NO/NC SWITCH PG11 / TELEMECANIQUE- CAPTEUR NO/NF PE11	B
6B	210062	2	CROUZET-GLAND N°13 D5 IP65 / CROUZET-PRESSE ETOUPE N°13 D5 IP65	
6B	210018	2	TELEMECANIQUE-GLAND N°11 / TELEMECANIQUE-PRESSE ETOUPE N°11	B
6	PC0499	1	HARNESS, T26E MAST LIMIT SWITCHES / T26E - FAISCEAU	A

SECTION 8 - ELECTRICAL SYSTEM INSTALL / INSTALLATION ELECTRIQUE

ITEM	PART NUMBER	QTY	DESCRIPTION	REV
			CAPTEURS DE MAT	
6A	260001	1	CROUZET-NO/NC SWITCH PG13 / CROUZET-CAPTEUR NO/NF PE13	A
6A	260323	1	TELEMECANIQUE-NO/NC SWITCH PG11 / TELEMECANIQUE-CAPTEUR NO/NF PE11	B
6B	210062	1	CROUZET-GLAND N°13 Ø5 IP65 / CROUZET-PRESSE ETOUPE N°13 Ø5 IP65	A
6B	210018	1	TELEMECANIQUE-GLAND N°11 / TELEMECANIQUE-PRESSE ETOUPE N°11	B
6C	4460894	1	CONNECTOR, DEUTSCH DT 6P PLUG / CONNECTEUR DEUTSCH DT 6P MALE	
6C	4460465	6	CONTACT DEUTSCH DT SOCKET / CONTACT DEUTSCH DT FEMELLE	
7	PC0477	1	PRIOR JUNE 2012 - HARNESS, BEACON / AVANT JUIN 2012 - FAISCEAU FEU A ECLATS	B
7	PC0534	1	JUNE 2012 TO PRESENT - HARNESS, BEACON / DEPUIS JUIN 2012 - FAISCEAU FEU A ECLATS	B
7A	260229	1	PRIOR JUNE 2012 - FLASHING LIGHT / AVANT JUIN 2012 - FEU A ECLAT	B
7A	260329	1	JUNE 2012 TO PRESENT - FLASHING LIGHT / DEPUIS JUIN 2012 - FEU A ECLAT	B
7B	4460897	1	CONNECTOR, DEUTSCH DT 2P RECEPTACLE / CONNECTEUR DEUTSCH DT 2P FEMELLE	
7B	4460464	2	CONTACT DEUTSCH DT PIN / CONTACT DEUTSCH DT MALE	
8	PC0478	1	TILT SENSOR 1.9° / DETECTEUR DE DEVERS 1.9°	
8A	4460536	1	CONNECTOR, DEUTSCH DT 3P RECEPTACLE / CONNECTEUR DEUTSCH DT 3P FEMELLE	
8A	4460464	3	CONTACT DEUTSCH DT PIN / CONTACT DEUTSCH DT MALE	
9	510086	2	DRIVE GEAR MOTOR / MOTOREDUCTEUR DE ROUE	
9A	250230	2 x1	CONNECTOR, DEUTSCH DTM 6P HOUSING / CONNECTEUR DEUTSCH DTM 6P FEMELLE	
9A	4460917	2 x6	CONTACT DEUTSCH DTM, GOLD PIN / CONTACT DEUTSCH DTM MALE DORE	
100	SA0014	Ref	INSTALL, CABLES / INSTALLATION CABLES	
102	PC0485	1	10E HARNESS, CHASSIS / 10E FAISCEAU CHASSIS (Prior to SN A300036845, SN A300090000 through A300091266, SN E300000000 through E300001504, SN 1300000000 through 1300007042)	C
102	PC0485	1	26E HARNESS,CHASSIS / 26E FAISCEAU CHASSIS (Prior to SN A300053023)	C
102	PC0602	1	10E HARNESS,CHASSIS / 10E FAISCEAU CHASSIS (SN A300036845 through A300037516)	C
102	PC0602	1	26E HARNESS,CHASSIS / 26E FAISCEAU CHASSIS (SN A300053023 to Present)	C
102A	4460873	3 x1	CONNECTOR, HOUSING AMP 35P / CONNECTEUR AMP 35P	
102A	4460871	3 x35	CONTACT AMPSEAL, SOCKET / CONTACT AMPSEAL, FEMELLE	
102B	4460539	1	CONNECTOR, DEUTSCH DT 3P PLUG / CONNECTEUR DEUTSCH DT 3P MALE	
102B	4460944	3	SOCKET DEUTSCH DT, GOLD PIN / CONTACT DEUTSCH DT, FEMELLE DORE	C
102C	4460933	1	CONNECTOR, DEUTSCH DT 12P PLUG / CONNECTEUR DEUTSCH DT 12P MALE	
102C	4460465	12	CONTACT DEUTSCH DT SOCKET / CONTACT DEUTSCH DT FEMELLE	
102D	4460894	1	CONNECTOR, DEUTSCH DT 6P PLUG / CONNECTEUR DEUTSCH DT 6P MALE	

SECTION 8 - ELECTRICAL SYSTEM INSTALL / INSTALLATION ELECTRIQUE

ITEM	PART NUMBER	QTY	DESCRIPTION	REV
102D	4460465	6	CONTACT DEUTSCH DT SOCKET / CONTACT DEUTSCH DT FEMELLE	C
102E	4460930	1	CONNECTOR, DEUTSCH DT 8P PLUG / CONNECTEUR DEUTSCH DT 8P MALE	
102E	4460465	8	CONTACT DEUTSCH DT SOCKET / CONTACT DEUTSCH DT FEMELLE	
102F	4460539	2 x1	CONNECTOR, DEUTSCH DT 3P PLUG / CONNECTEUR DEUTSCH DT 3P MALE	
102F	4460465	2 x3	CONTACT DEUTSCH DT SOCKET / CONTACT DEUTSCH DT FEMELLE	
102G	250227	2 x1	CONNECTOR, DEUTSCH DTM 6P PLUG / CONNECTEUR DEUTSCH DTM 6P MALE	
102G	4460928	2 x6	CONTACT DEUTSCH DTM, SOCKET / CONTACT DEUTSCH DTM FEMELLE	
102H	4460891	2 x1	CONNECTOR, DEUTSCH DT 2P PLUG / CONNECTEUR DEUTSCH DT 2P MALE	
102H	4460465	2 x2	CONTACT DEUTSCH DT SOCKET / CONTACT DEUTSCH DT FEMELLE	
102J	4460899	1	CONNECTOR, DEUTSCH DT 6P RECEPTACLE / CONNECTEUR DEUTSCH DT 6P FEMELLE (26E Prior to SN A300053023; 10E Prior to SN A300036845, SN A300090000 through A300091266, SN E300000000 through E300001504, SN 1300000000 through 1300007042)	C
102J	4460464	6	CONTACT DEUTSCH DT PIN / CONTACT DEUTSCH DT MALE (26E Prior to SN A300053023; 10E Prior to SN A300036845, SN A300090000 through A300091266, SN E300000000 through E300001504, SN 1300000000 through 1300007042)	C
102J	4460320	1	TERMINAL, PLUG 2 PINS AMP / CONNECTEUR 2 CONTACT AMP (10E SN A300036845 through A300037516; 26E SN A300053023 to Present)	C
102J	4460226	1	SOCKET, CONTACT AMP MATE-N-LOK 0,2-0,8mm ² / CONTACT FEMELLE AMP MATE-N-LOK 0,2-0,8mm ² (10E SN A300036845 through A300037516; 26E SN A300053023 to Present)	C
102J	4460894	1	CONNECTOR, DEUTSCH DT 6P PLUG / CONNECTEUR DEUTSCH DT 6P MALE (10E SN A300036845 through A300037516; 26E SN A300053023 to Present)	C
102J	4460465	6	CONTACT DEUTSCH DT SOCKET / CONTACT DEUTSCH DT FEMELLE (10E SN A300036845 through A300037516; 26E SN A300053023 to Present)	C
102K	250060	4	RECEPTACLE TERMINAL 4.8 - 0.25-1mm ² / COSSE ISOLEE 4.8 mm 0.25-1 mm ²	
102L	250091	2	M06 EYELET TERMINAL 1-2.5mm ² / COSSE A OEIL ISOLEE M6 - 1-2.5mm ²	
102M	2400060	1	FUSE, HOLDER W/COVER (IF EQUIPPED) / PORTE FUSIBLE (SI EQUIPPE)	
102M	8229242	1	FUSE, 5 A MINI (IF EQUIPPED) / FUSIBLE 5A (SI EQUIPPE)	
102N	4460884	1	PLUG, 4-PIN CONNECTOR (IF EQUIPPED) / CONNECTEUR 4 BROCHES (SI EQUIPPE)	
102N	4460465	4	CONTACT DEUTSCH DT SOCKET (IF EQUIPPED) / CONTACT DEUTSCH DT FEMELLE (SI EQUIPPE)	
102N	1001192401	1	CONNECTOR, DUST CAP (IF EQUIPPED) / PROTECTION CONNECTEUR (SI EQUIPPE)	
103	PC0486	1	HARNESS, HYDRAULIC UNIT / FAISCEAU CENTRALE HYDRAULIQUE	
103A	4460931	1	CONNECTOR, DEUTSCH DT 8P RECEPTACLE / CONNECTEUR DEUTSCH DT 8P FEMELLE	
103A	4460464	8	CONTACT DEUTSCH DT PIN / CONTACT DEUTSCH DT MALE	
103B	4460891	5 x1	CONNECTOR, DEUTSCH DT 2P PLUG / CONNECTEUR	

SECTION 8 - ELECTRICAL SYSTEM INSTALL / INSTALLATION ELECTRIQUE

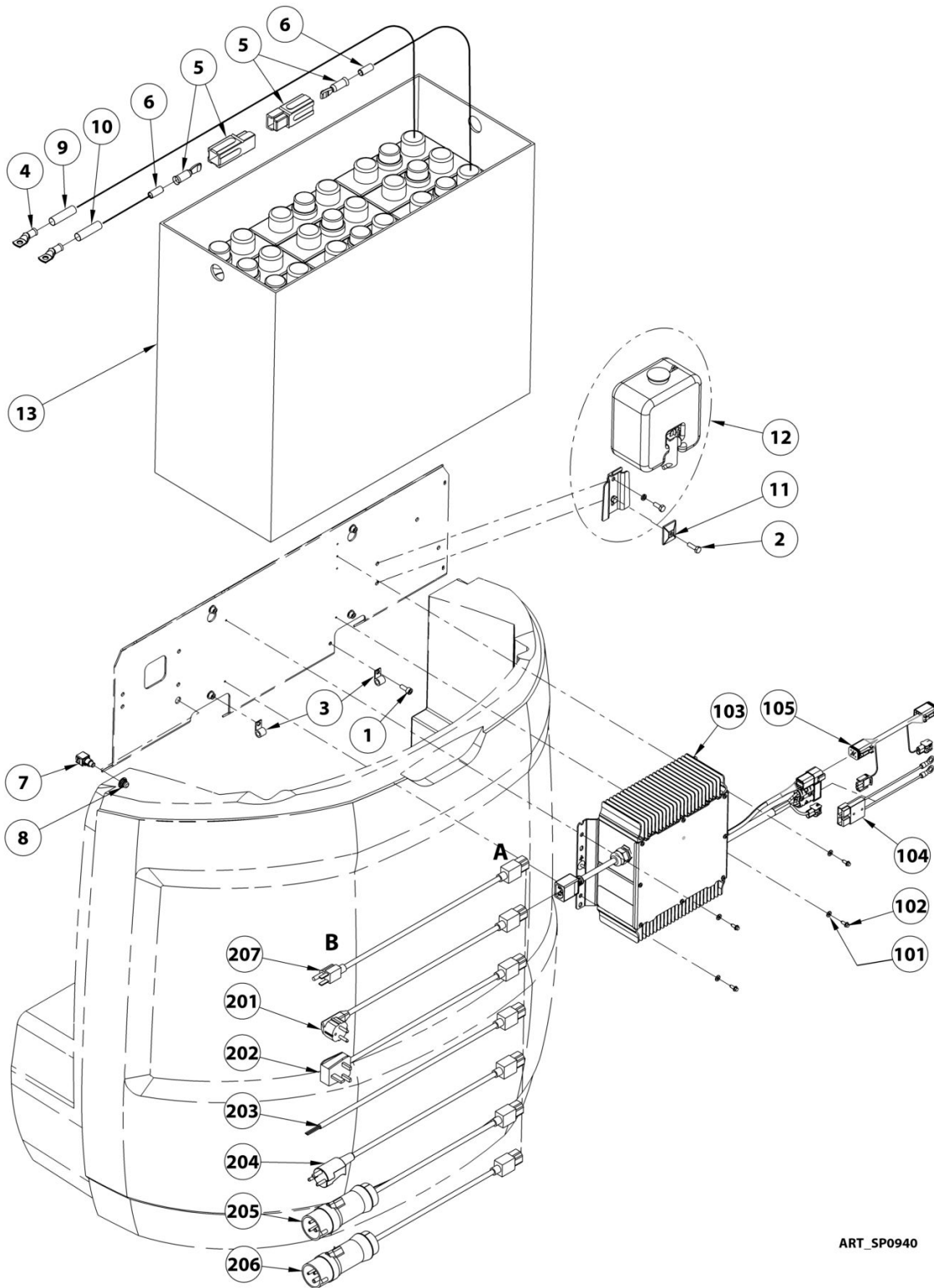
ITEM	PART NUMBER	QTY	DESCRIPTION	REV
103B	4460465	5 x2	DEUTSCH DT 2P MALE CONTACT DEUTSCH DT SOCKET / CONTACT DEUTSCH DT FEMELLE	
103C	4460897	1	CONNECTOR, DEUTSCH DT 2P RECEPTACLE / CONNECTEUR DEUTSCH DT 2P FEMELLE	
103C	4460464	2	CONTACT DEUTSCH DT PIN / CONTACT DEUTSCH DT MALE	
103D	250172	1	M08 EYELET TERMINAL 1-2.5mm ² / COSSE A OEIL ISOLEE M08 - 1-2.5mm ²	
104	PC0487	1	10E HARNESS,UCB-LCB LINK / 10E FAISCEAU LIAISON BOITIER HAUT / BAS (Prior to SN A300036845, SN A300090000 through A300091266, SN E300000000 through E300001504, SN 1300000000 through 1300007042)	C
104	PC0487	1	26E HARNESS,PLATFORM CONSOLE / 26E FAISCEAU LIAISON BOITIER HAUT / BAS (Prior to SN A300053023)	C
104	PC0603	1	10E HARNESS,UCB-LCB LINK / 10E FAISCEAU LIAISON BOITIER HAUT / BAS (SN A300036845 through A300037516)	C
104	PC0603	1	26E HARNESS,UCB-LCB LINK / 26E FAISCEAU LIAISON BOITIER HAUT / BAS (SN A300053023 to Present)	C
104A	4460536	1	CONNECTOR, DEUTSCH DT 3P RECEPTACLE / CONNECTEUR DEUTSCH DT 3P FEMELLE	
104A	4460943	3	CONTACT DEUTSCH DT, GOLD PIN / CONTACT DEUTSCH DT, MALE DORE	C
104B	4460970	1	CONNECTOR, DEUTSCH DT 12P RECEPTACLE / CONNECTEUR DEUTSCH DT 12P FEMELLE	
104B	4460464	12	CONTACT DEUTSCH DT PIN / CONTACT DEUTSCH DT MALE	
104C	4460539	1	CONNECTOR, DEUTSCH DT 3P PLUG / CONNECTEUR DEUTSCH DT 3P MALE	
104C	4460465	3	CONTACT DEUTSCH DT SOCKET / CONTACT DEUTSCH DT FEMELLE	
104D	4460899	1	CONNECTOR, DEUTSCH DT 6P RECEPTACLE / CONNECTEUR DEUTSCH DT 6P FEMELLE	
104D	4460464	6	CONTACT DEUTSCH DT PIN / CONTACT DEUTSCH DT MALE	
104E	4460932	1	CONNECTOR, DEUTSCH DT 4P RECEPTACLE / CONNECTEUR DEUTSCH DT 4P FEMELLE	
104E	4460464	4	CONTACT DEUTSCH DT PIN / CONTACT DEUTSCH DT MALE	
104F	4460754	1	CONNECTOR, DEUTSCH HD 14P PLUG / CONNECTEUR DEUTSCH HD 14P MALE	
104F	4460466	4	SEALING PLUG / JOINT CONNECTEUR	
104F	4460944	2	SOCKET DEUTSCH DT, GOLD PIN / CONTACT DEUTSCH DT, FEMELLE DORE (10E SN A300036845 through A300037516; 26E SN A300053023 to Present)	C
104F	4460465	12	CONTACT DEUTSCH DT SOCKET / CONTACT DEUTSCH DT FEMELLE	C
105	PC0488	1	HARNESS, TURNTABLE / FAISCEAU MAT 1	
105A	4460899	1	CONNECTOR, DEUTSCH DT 6P RECEPTACLE / CONNECTEUR DEUTSCH DT 6P FEMELLE	
105A	4460464	5	CONTACT DEUTSCH DT PIN / CONTACT DEUTSCH DT MALE	
105B	4460891	1	CONNECTOR, DEUTSCH DT 2P PLUG / CONNECTEUR DEUTSCH DT 2P MALE	
105B	4460465	2	CONTACT DEUTSCH DT SOCKET / CONTACT DEUTSCH DT FEMELLE	
105C	4461077	1	CONNECTOR, DEUTSCH DTM 4P PLUG / CONNECTEUR DEUTSCH DTM 4P MALE	
105C	4460928	3	CONTACT DEUTSCH DTM, SOCKET / CONTACT DEUTSCH DTM FEMELLE	
105D	4460932	1	CONNECTOR, DEUTSCH DT 4P RECEPTACLE / CONNECTEUR DEUTSCH DT 4P FEMELLE	

SECTION 8 - ELECTRICAL SYSTEM INSTALL / INSTALLATION ELECTRIQUE

ITEM	PART NUMBER	QTY	DESCRIPTION	REV
105D	4460464	4	CONTACT DEUTSCH DT PIN / CONTACT DEUTSCH DT MALE	
106	PC0489	1	HARNESS, JIB VALVES / FAISCEAU ELECTROVANNE BRAS	
106A	4460536	1	CONNECTOR, DEUTSCH DT 3P RECEPTACLE / CONNECTEUR DEUTSCH DT 3P FEMELLE	
106A	4460464	3	CONTACT DEUTSCH DT PIN / CONTACT DEUTSCH DT MALE	
106B	4460891	2 x1	CONNECTOR, DEUTSCH DT 2P PLUG / CONNECTEUR DEUTSCH DT 2P MALE	
106B	4460465	2 x2	CONTACT DEUTSCH DT SOCKET / CONTACT DEUTSCH DT FEMELLE	
107	PC0490	1	HARNESS, BATTERY FILLING / FAISCEAU REMPLISSAGE BATTERIE	
107A	250084	2	M08 EYELET TERMINAL 0.25-1mm ² / COSSE A OEIL ISOLEE M8 - 0.25-1mm ²	
107B	250026	3	RED RECEPTACLE TERM. 6.3 - 0.5-1.2mm ² / COSSE FEMELLE 6.3 ROUGE - 0.5-1.2mm ²	
107C	250027	1	BLUE RECEPTACLE TER. 6.3 - 1.5-2.5mm ² / COSSE FEM. 6.3 BLEUE 6.3 - 1.5-2.5mm	
108	PC0491	1	HARNESS, HORN / FAISCEAU AVERTISSEUR SONORE	
108A	260274	1	HORN / KLAXON	
108B	4460897	1	CONNECTOR, DEUTSCH DT 2P RECEPTACLE / CONNECTEUR DEUTSCH DT 2P FEMELLE	
108B	4460464	2	CONTACT DEUTSCH DT PIN / CONTACT DEUTSCH DT MALE	
109	270059	12	CABLE 3G2.5mm² Color leads (qty in meters) / CABLE 3G2.5mm² coloré (qté en mètre)	A
110	000015	2	M06x16 8.8 SOCKET HEAD MACH SCREW / VIS CHC M06x16 8.8 BI FT	
111	120009	2	dD 06x14 LOCK WASHER / RONDELLE CONTACT dD 06x14 BI	
200	SE0925	Ref	KIT, POWER CABLES / KIT CABLES DE PUISSANCE	
201	PC0479	1	CABLE 35mm ² LENGHT 3950mm BLUE / CABLE 35mm ² LONG 3950mm BLEU	
202	PC0480	1	CABLE 35mm ² LENGHT 3950mm RED / CABLE 35mm ² LONG 3950mm ROUGE	
203	PC0481	1	CABLE 35mm ² LENGHT 150mm RED / CABLE 35mm ² LONG 150mm ROUGE	
204	PC0482	1	CABLE 35mm ² LENGHT 3950mm BLACK / CABLE 35mm ² LONG 3950mm NOIR	
205	PC0483	1	CABLE 35mm ² LENGHT 550mm BLUE / CABLE 35mm ² LONG 550mm BLEU	
206	PC0484	1	CABLE 35mm ² LENGHT 550mm RED / CABLE 35mm ² LONG 550mm ROUGE	

SECTION 8 - ELECTRICAL SYSTEM INSTALL / INSTALLATION ELECTRIQUE

FIGURE 8-2. BATTERY AND CHARGER INSTALL / INSTALLATION BATTERIE ET CHARGEUR



ART_SP0940

SECTION 8 - ELECTRICAL SYSTEM INSTALL / INSTALLATION ELECTRIQUE

FIGURE 8-2. BATTERY AND CHARGER INSTALL / INSTALLATION BATTERIE ET CHARGEUR

ITEM	PART NUMBER	QTY	DESCRIPTION	REV
		Ref	INSTALL,BATTERY AND CHARGEUR; INFO - SP0940 / INSTALLATION BATTERIE ET CHARGEUR; INFO - SP0940	C
0	SA0023	Ref	INSTALL,BATTERY 240Ah / INSTALLATION BATTERIE 240Ah	
1	000015	1	M06x16 8.8 SOCKET HEAD MACH SCREW / VIS CHC M06x16 8.8 BI FT	
2	100005	1	M06x20 8.8 HEX HEAD MACHINE SCREW / VIS H M06x20 8.8 BI FT	
3	1321293	2	CLAMP,INSULATED BAND / COLLIER ISOLE	
4	250030	2	D8 EYELET CRIMP TERMINAL 35 mm ² / COSSE A OEIL D8 - 35 mm ²	
5	250228	2	CONNECTOR,ANDERSON PP180 / CONNECTEUR,ANDERSON PP180	
6	250229	2	BUSHING,REDUCING / MANCHON REDUCTEUR	
7	260259	1	PUSH BUTTON MOM NO / BOUTON POUSSOIR MOMENTANE NO	
8	260260	1	PUSH BUTTON SEAL CAP / CAPUCHON ETANCHEITE B. P.	
9	280001	0.05	Blue SHEATH HEATSHRINK 12.7 (qty in meter) / GAINÉ THERMO 12.7 Bleue (qté en mètre)	
10	280002	0.05	Red SHEATH HEATSHRINK 12.7 (qty in meter) / GAINÉ THERMO 12.7 Rouge (qté en mètre)	
11	400012	1	CLAMP COVER PLATE T1 / PLAQUE DE SERRAGE T1	
12	400093	1	WATER CAN KIT / KIT BIDON D'EAU	
13	ST2719	1	BATTERY PACK 240Ah / BAC BATTERIE 240Ah	
100	SA0024	Ref	INSTALL,CHARGER 24V 25A / INSTALLATION CHARGEUR 24V 25A	
101	120024	4	M4 LOCK WASHER / RONDELLE CONTACT M4 BI	
102	130063	4	D4.2x13 SELF DRILLING SCREW / VIS AUTOPERCEUSE D4.2x13 BI	
103	510088	1	CHARGER DELTA-Q 24V HF / CHARGEUR DELTA-Q 24V HF (SN A300090000 through A300090367, SN 1300000000 through 1300006811)	B
103	1001112111	1	CHARGER DELTA-Q 24V HF - All 26E / CHARGEUR DELTA-Q 24V HF - Tous 26E (10E Except SN A300090000 through A300090367, Except SN 1300000000 through 1300006811)	B
104	PC0493	1	HARNESS,CHARGER / FAISCEAU CHARGEUR	B
104A	4460648	1	CONNECTOR 50A 2P / CONNECTEUR 50A 2P	B
104B	250010	2	M08 EYELET TERMINAL 4-6mm ² / COSSE A OEIL ISOLEE M8 - 4-6mm ²	B
105	PC0492	1	HARNESS,CHARGER EXTENSION / FAISCEAU RALLONGE CHARGEUR (SN A300090000 through A300090367, SN 1300000000 through 1300006811)	
105A	4460894	2 x1	CONNECTOR,DEUTSCH DT 6P PLUG / CONNECTEUR DEUTSCH DT 6P MALE (SN A300090000 through A300090367, SN 1300000000 through 1300006811)	
105B	4460465	2 x5	CONTACT DEUTSCH DT SOCKET / CONTACT DEUTSCH DT FEMELLE (SN A300090000 through A300090367, SN 1300000000 through 1300006811)	
105	PC0512	1	HARNESS,CHARGER EXTENSION / FAISCEAU RALLONGE CHARGEUR (26E Prior to SN A300053023; 10E SN A300090368 through A300091265, SN A300035000 through A300036844, SN E300000000 through E300001504, SN 1300006910 through 1300007042)	B
105A	4460894	2 x1	CONNECTOR,DEUTSCH DT 6P PLUG / CONNECTEUR	B

SECTION 8 - ELECTRICAL SYSTEM INSTALL / INSTALLATION ELECTRIQUE

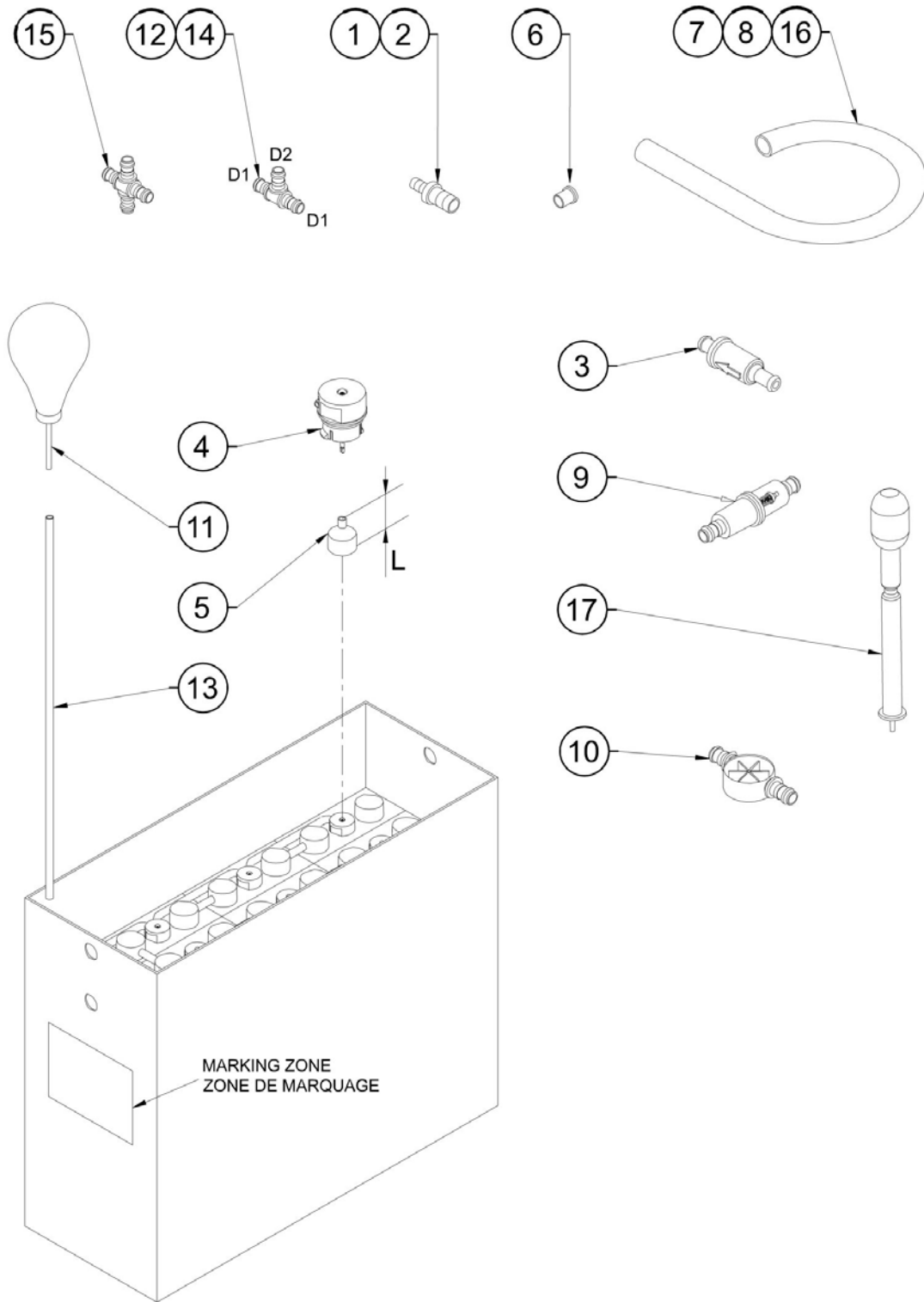
ITEM	PART NUMBER	QTY	DESCRIPTION	REV
105B	4460465	5+6	DEUTSCH DT 6P MALE (26E Prior to SN A300053023; 10E SN A300090368 through A300091265, SN A300035000 through A300036844, SN E300000000 through E300001504, SN 1300006910 through 1300007042) CONTACT DEUTSCH DT SOCKET / CONTACT DEUTSCH DT FEMELLE (26E Prior to SN A300053023; 10E SN A300090368 through A300091265, SN A300035000 through A300036844, SN E300000000 through E300001504, SN 1300006910 through 1300007042)	B
105C	4460320	1	TERMINAL,PLUG 2 PINS AMP / CONNECTEUR 2 CONTACT AMP (26E Prior to SN A300053023; 10E SN A300090368 through A300091265, SN A300035000 through A300036844, SN E300000000 through E300001504, SN 1300006910 through 1300007042)	B
105D	4460226	1	SOCKET,CONTACT AMP / CONTACT AMP (26E Prior to SN A300053023; 10E SN A300090368 through A300091265, SN A300035000 through A300036844, SN E300000000 through E300001504, SN 1300006910 through 1300007042)	B
105	PC0605	1	HARNESS,charger extention / FAISCEAU RALLONGE CHARGEUR (10E SN A300036845 through A300037516; 26E SN A300053023 to Present)	C
105A	4460894	1	PLUG,6 POSITION PLUG (DT SERIES) / CONNECTEUR DEUTSCH DT 6P MALE (10E SN A300036845 through A300037516; 26E SN A300053023 to Present)	C
105B	4460465	6	TERMINAL,DEUTSCH #16/#18 SOCKET / CONTACT DEUTSCH DT FEMELLE (10E SN A300036845 through A300037516; 26E SN A300053023 to Present)	C
105C	4460320	1	TERMINAL,2 POS PLUG / CONNECTEUR 2 CONTACT AMP (10E SN A300036845 through A300037516; 26E SN A300053023 to Present)	C
105D	4460226	1	SOCKET,CONTACT AMP MATE-N-LOK 0,2-0,8mm ² / CONTACT FEMELLE AMP MATE-N-LOK 0,2-0,8mm ² (10E SN A300036845 through A300037516; 26E SN A300053023 to Present)	C
105E	4460899	1	TERMINAL,6 POSITION DT SERIES / CONNECTEUR DEUTSCH DT 6P FEMELLE (10E SN A300036845 through A300037516; 26E SN A300053023 to Present)	C
105F	4460464	4	TERMINAL,DEUTSCH #16/#18 PIN / CONTACT DEUTSCH DT MALE (10E SN A300036845 through A300037516; 26E SN A300053023 to Present)	C
105G	250194	1	2 POSITIONS "MNL" CAP HOUSING / CONNECTEUR FEMELLE 2 CTS "MNL" (10E SN A300036845 through A300037516; 26E SN A300053023 to Present)	C
105H	4460227	1	CONTACT AMP MATE-N-LOK 0,2-0,8mm ² / CONTACT MALE AMP MATE-N-LOK 0,2-0,8mm ² (10E SN A300036845 through A300037516; 26E SN A300053023 to Present)	C
200		Ref	CHARGER EXTENSION / PRISE CHARGEUR	
201	250211	1	CABLE IEC22 / PLUG CEE7 2m 10A / CORDON IEC22 / FICHE CEE7 2m 10A	
202	250213	1	CABLE IEC22 / PLUG BS1362 2m 10A / CORDON IEC22 / FICHE BS1362 2m 10A	
203	1060689	1	CABLE AC CORD, W/O PLUG, L=2m / CABLE AC CHARGEUR, SANS PRISE, L=2m	
204	PC0494	1	230V CEE7 POWER SUPPLY CABLE, KEYED / CABLE ALIMENTATION 230V CEE7, POLARISE	
204A	1060689	1	CABLE AC CORD, W/O PLUG, L=2m / CABLE AC CHARGEUR, SANS PRISE, L=2m	
204B	4461249	1	PLUG,230V CEE7,KEYED / PRISE 230V CEE7,POLARISEE	
205	PC0495	1	230V IEC60309 POWER SUPPLY CABLE / CABLE ALIMENTATION 230V CEI60309	

SECTION 8 - ELECTRICAL SYSTEM INSTALL / INSTALLATION ELECTRIQUE

ITEM	PART NUMBER	QTY	DESCRIPTION	REV
205A	1060689	1	CABLE AC CORD, W/O PLUG, L=2m / CABLE AC CHARGEUR, SANS PRISE, L=2m	
205B	4461199	1	PLUG,230V IEC60309 BLUE / PRISE 230V CEI60309 BLEU	
206	PC0496	1	115V IEC60309 POWER SUPPLY CABLE / CABLE ALIMENTATION 115V CEI60309	
206A	1060689	1	CABLE AC CORD, W/O PLUG, L=2m / CABLE AC CHARGEUR, SANS PRISE, L=2m	
206B	4461196	1	PLUG,115V IEC60309 YELLOW / PRISE 115V CEI60309 JAUNE	
207	1060688	1	CABLE AC CORD,US PLUG, L=2m / CABLE AC CHARGEUR, US, L=2m	B

SECTION 8 - ELECTRICAL SYSTEM INSTALL / INSTALLATION ELECTRIQUE

FIGURE 8-3. BATTERY COMPONENTS / COMPOSANTS BATTERIE



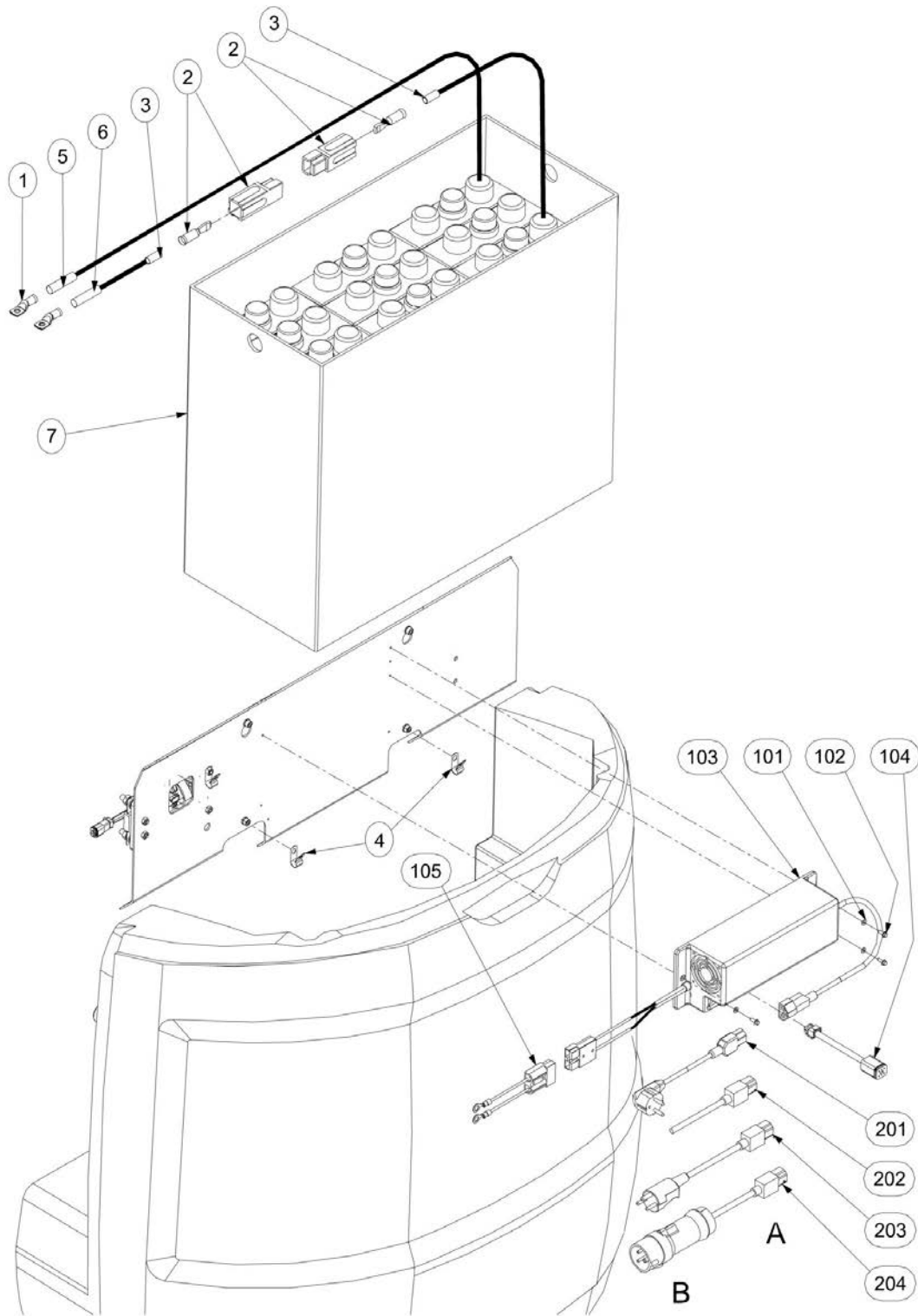
SECTION 8 - ELECTRICAL SYSTEM INSTALL / INSTALLATION ELECTRIQUE

FIGURE 8-3. BATTERY COMPONENTS / COMPOSANTS BATTERIE

ITEM	PART NUMBER	QTY	DESCRIPTION	REV
		Ref	BATTERY COMPONENTS; INFO - PT0249 / COMPOSANTS BATTERIE; INFO - PT0249	
1	400059	x	4/6 REDUCTION / REDUCTION 4/6	
2	400065	x	6/10 REDUCTION / REDUCTION 6/10	
3	400086	x	CHECK VALVE / CLAPET ANTI-RETOUR	
4	950033	x	BATTERY CELL LEVEL CAP / BOUCHON NIVEAU D'ELEMNT BATTERIE	
5	950222	x	FLOAT L= 14 / FLOTTEUR L= 14	
5	950223	x	FLOAT L= 20 / FLOTTEUR L= 20	
5	950224	x	FLOAT L= 29 / FLOTTEUR L= 29	
5	950225	x	FLOAT L= 34 / FLOTTEUR L= 34	
5	950226	x	FLOAT L= 39 / FLOTTEUR L= 39	
5	950227	x	FLOAT L= 44 / FLOTTEUR L= 44	
5	950228	x	FLOAT L= 49 / FLOTTEUR L= 49	
6	950038	x	TERMINAL CAP / OBTURATEUR TERMINAL	
7	950039	x	D6 PIPE (quantity indicated in meter) / TUYAU D6 (quantité indiquée en mètre)	
8	950040	x	D10 PIPE (quantity indicated in meter) / TUYAU D10 (quantité indiquée en mètre)	
9	950041	x	FILTER / FILTRE	
10	950044	x	FLOW INDICATOR D10 / INDICATEUR DE DEBIT D10	
11	950047	x	BATTERY BULB / POIRE BATTERIE	
12	950052	x	RUN TEE 06/06/06 / TE 06/06/06	
13	950058	x	PIPE / TUBE	
14	950059	x	RUN TEE D1/D2/D1: 06/10/06 / TE D1/D2/D1: 06/10/06	
15	950214	x	CROSS 06 / CROIX 06	
16	950215	x	D4 PIPE (quantity indicated in meter) / TUYAU D4 (quantité indiquée en mètre)	
17	950216	x	HYDROMETER / PESE ACIDE	

SECTION 8 - ELECTRICAL SYSTEM INSTALL / INSTALLATION ELECTRIQUE

FIGURE 8-4. GEL BATTERY AND CHARGER 230V INSTALL / INSTALLATION GEL BATTERIE ET CHARGEUR 230V



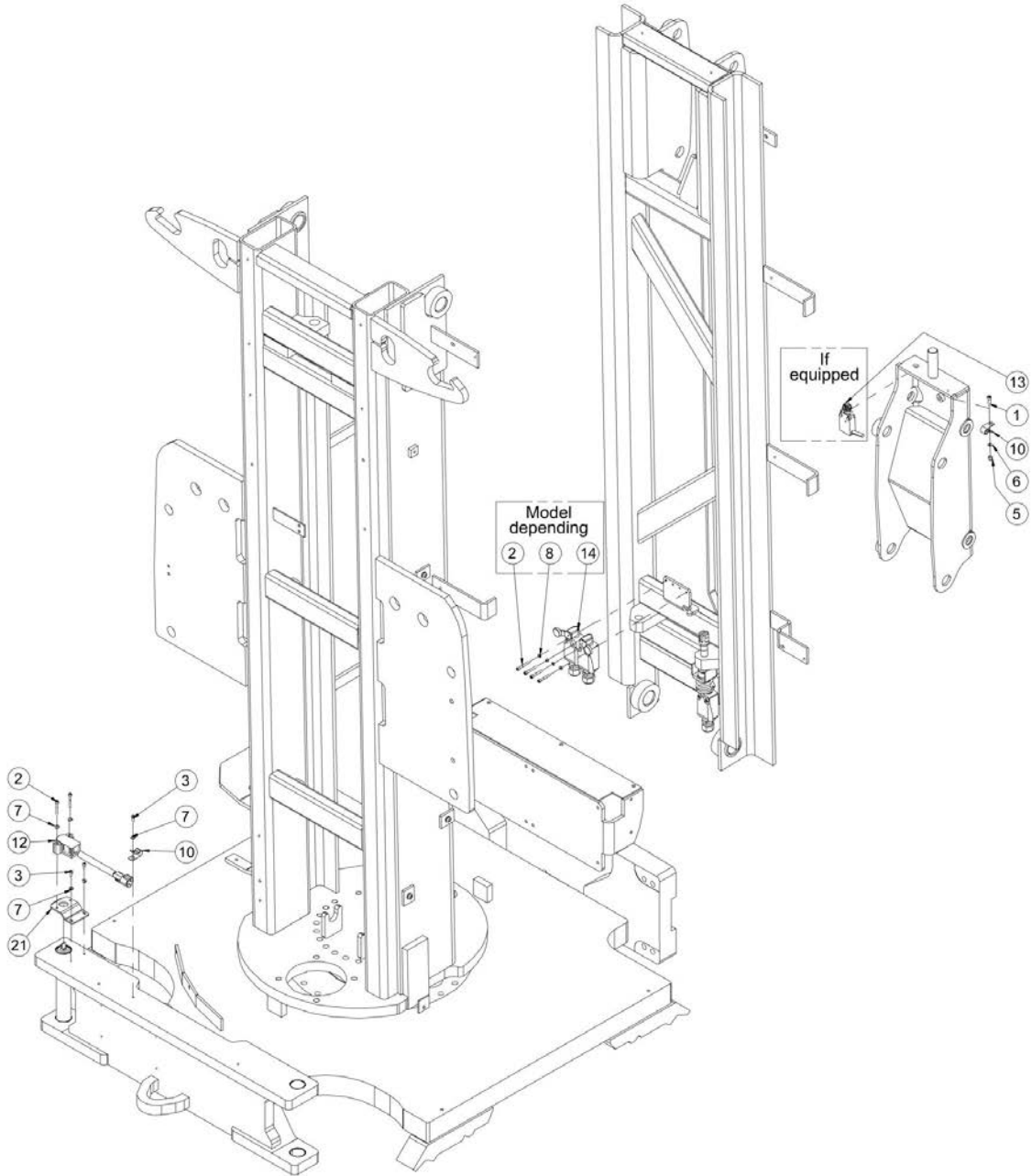
SECTION 8 - ELECTRICAL SYSTEM INSTALL / INSTALLATION ELECTRIQUE

FIGURE 8-4. GEL BATTERY AND CHARGER 230V INSTALL / INSTALLATION GEL BATTERIE ET CHARGEUR 230V

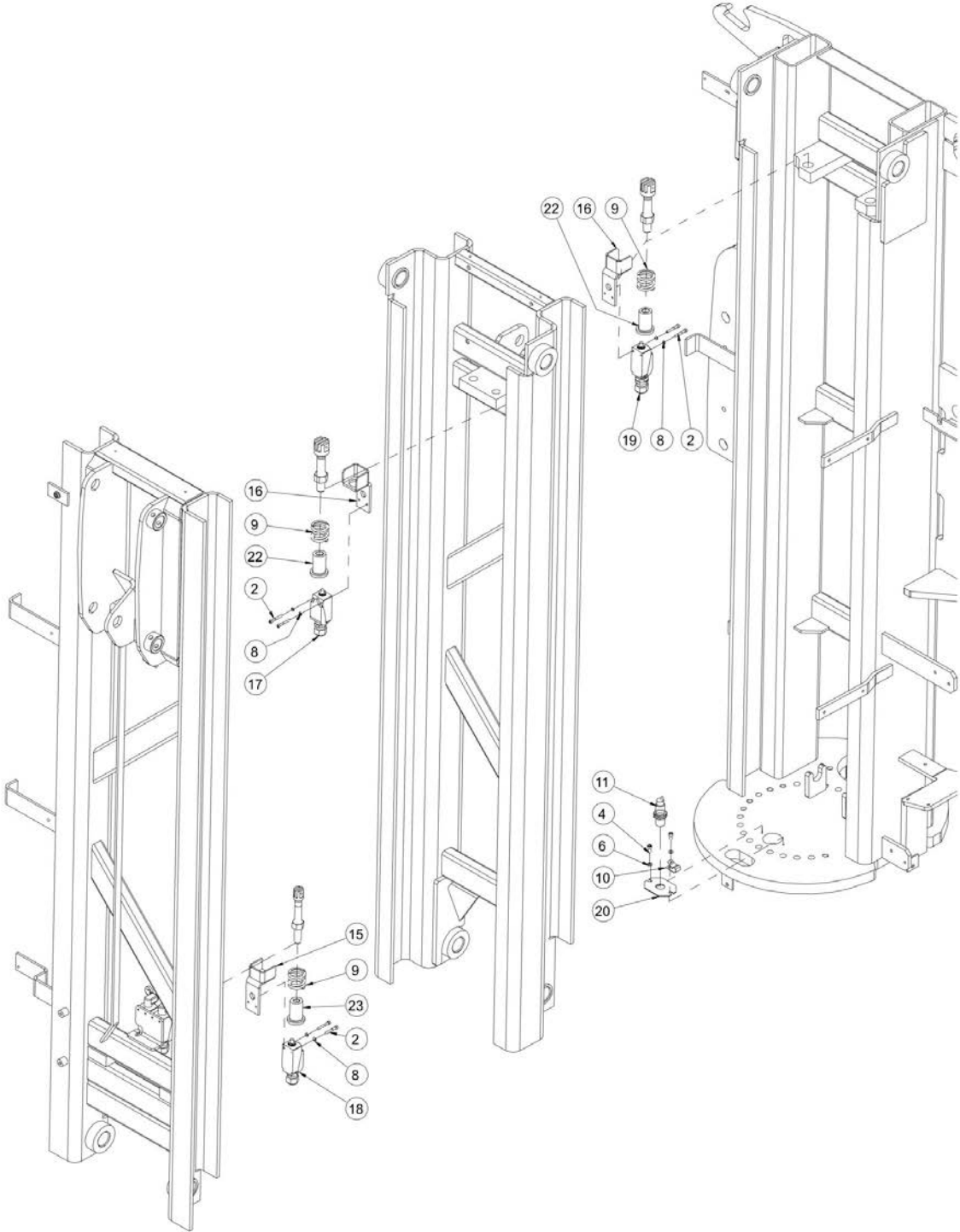
ITEM	PART NUMBER	QTY	DESCRIPTION	REV
		Ref	INSTALL,GEL BATTERY AND 230V CHARGEUR; INFO - SP0951 / INSTALLATION GEL-BATTERIE ET CHARGEUR 230V; INFO - SP0951	
0	FX209-004	Ref	INSTALL, GEL BATTERIE / INSTALLATION BATTERIE GEL	
1	250030	2	D8 EYELET CRIMP TERMINAL 35 mm ² / COSSE A OEIL D8 - 35 mm ²	
2	250228	2	CONNECTOR, ANDERSON PP180 / CONNECTEUR,ANDERSON PP180	
3	250229	2	BUSHING, REDUCING / MANCHON REDUCTEUR	
4	1321293	2	CLAMP, INSULATED BAND / COLLIER ISOLE	
5	280001	0.05	Blue SHEATH HEATSHRINK 12.7 (qty in meter) / GAINÉ THERMO 12.7 Bleue (qté en mètre)	
6	280002	0.05	Red SHEATH HEATSHRINK 12.7 (qty in meter) / GAINÉ THERMO 12.7 Rouge (qté en mètre)	
7	ST2725	1	BATTERY, GEL PACK 225Ah / BAC BATTERIE GEL 225Ah	
100	FX209-001	Ref	INSTALL, 230V GEL CHARGER / INSTALLATION CHARGEUR GEL 230V	
101	120024	3	M4 LOCK WASHER / RONDELLE CONTACT M4 BI	
102	130063	3	Ø4.2x13 SELF DRILLING SCREW / VIS AUTOPERCEUSE Ø4.2x13 BI	
103	510076	1	ZIVAN HF CHARGER FOR GEL BATTERY / CHARGEUR HF ZIVAN POUR BATTERIE GEL	
104	FX209-002	1	HARNESS, REMOTE LEADS / FAISCEAU RALLONGE CHARGEUR	
104A	4460894	1	CONNECTOR, DEUTSCH DT 6P PLUG / CONNECTEUR DEUTSCH DT 6P MALE	
104B	4460465	5	CONTACT DEUTSCH DT SOCKET / CONTACT DEUTSCH DT FEMELLE	
105	PC0493	1	HARNESS, CHARGER / FAISCEAU CHARGEUR	
105A	4460648	1	CONNECTOR 50A 2P / CONNECTEUR 50A 2P	
105B	250010	2	M08 EYELET TERMINAL 4-6mm ² / COSSE A OEIL ISOLEE M8 - 4-6mm ²	
200		Ref	CHARGER EXTENSION / PRISE CHARGEUR	
201	250211	1	CABLE IEC22 / PLUG CEE7 2m 10A / CORDON IEC22 / FICHE CEE7 2m 10A	
202	1060689	1	CABLE AC CORD, W/O PLUG, L=2m / CABLE AC CHARGEUR, SANS PRISE, L=2m	
203	PC0494	1	230V CEE7 POWER SUPPLY CABLE, KEYED / CABLE ALIMENTATION 230V CEE7, POLARISE	
203A	1060689	1	CABLE AC CORD, W/O PLUG, L=2m / CABLE AC CHARGEUR, SANS PRISE, L=2m	
203B	4461249	1	PLUG, 230V CEE7, KEYED / PRISE 230V CEE7,POLARISEE	
204	PC0495	1	230V IEC60309 POWER SUPPLY CABLE / CABLE ALIMENTATION 230V CEI60309	
204A	1060689	1	CABLE AC CORD, W/O PLUG, L=2m / CABLE AC CHARGEUR, SANS PRISE, L=2m	
204B	4461199	1	PLUG, 230V IEC60309 BLUE / PRISE 230V CEI60309 BLEU	

SECTION 8 - ELECTRICAL SYSTEM INSTALL / INSTALLATION ELECTRIQUE

FIGURE 8-5. SWITCHES AND COVERS INSTALL / INSTALLATION CAPTEURS



SECTION 8 - ELECTRICAL SYSTEM INSTALL / INSTALLATION ELECTRIQUE



SECTION 8 - ELECTRICAL SYSTEM INSTALL / INSTALLATION ELECTRIQUE

FIGURE 8-5. SWITCHES AND COVERS INSTALL / INSTALLATION CAPTEURS

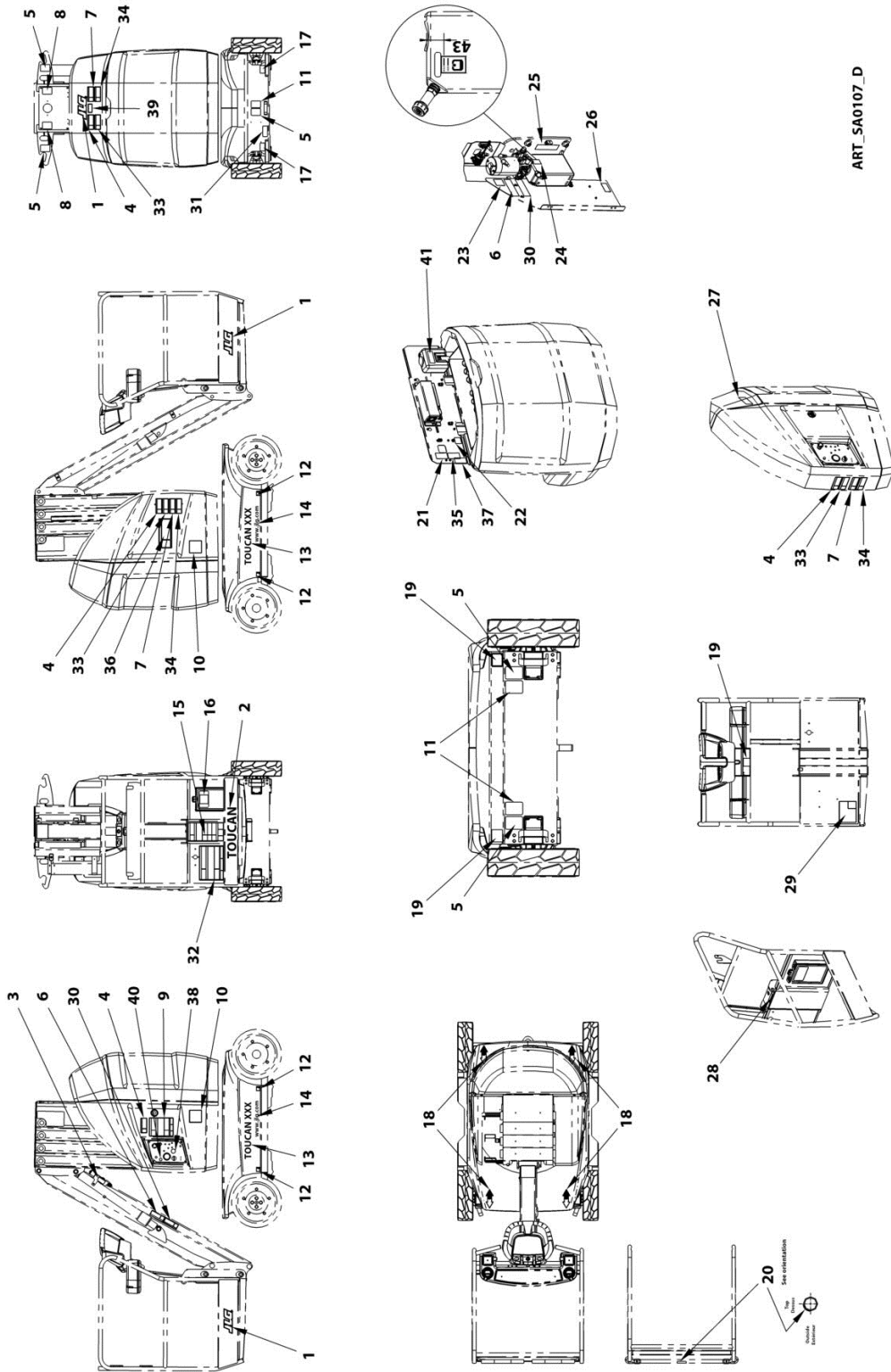
ITEM	PART NUMBER	QTY	DESCRIPTION	REV
	SA0012		INSTALL,T10E SWITCHES AND COVERS; INFO - SA0012 / T10E - INSTALLATION CAPTEURS; INFO - SA0012	A
	SA0033		INSTALL,T26E SWITCHES AND COVERS; INFO - SA0033 / T26E - INSTALLATION CAPTEURS; INFO - SA0033	A
1	000003	1	M05x16 8.8 SOCKET HEAD MACH SCREW / VIS CHC M05x16 8.8 BI FT	
2	000007	12	M04x30 8.8 SOCKET HEAD CAPSCREW / VIS CHC M04x30 8.8 BI FP	
3	000050	3	M04x10 8.8 SOCKET HEAD MACH SCREW / VIS CHC M04x10 8.8 BI FT	
4	000067	2	M05x12 8.8 SOCKET HEAD MACH SCREW / VIS CHC M05x12 8.8 BI FT	
5	110002	1	M05 GR08 LOCK NUT / ECROU FREIN M5 CL08 BI	
6	120002	3	M05 WASHER / RONDELLE M05 BI	
7	120024	5	M04 LOCK WASHER / RONDELLE CONTACT M04 BI	
8	120056	10	dD 04x08 LOCK WASHER / RONDELLE CONTACT dD 04x08 BI	
9	160010	3	C 360 450 320 SPRING / RESSORT C 360 450 320	
10	1321293	3	INSULATED BAND / COLLIER ISOLE	
11	4000008	1	PROXIMITY SENSOR ASSEMBLY / FAISCEAU DETECTEUR DE PROXIMITE	
12	4360505	1	SWITCH,ROTARY ANGLE SENSOR / CAPTEUR D'ANGLE	
13	PC0468	1	T10E ONLY - HARNESS,LOAD SENSING SWITCH / FAISCEAU CAPTEUR DE SURCHARGE - UNIQUEMENT SUR T10E	
14	PC0470	1	HARNESS,T10E MAST LIMIT SWITCHES / T10E - FAISCEAU CAPTEURS DE MAT	
14	PC0499	1	HARNESS,T26E MAST LIMIT SWITCHES / T26E - FAISCEAU CAPTEURS DE MAT	
15	SD0345	1	SWITCH HOLDER / SUPPORT CAPTEUR	
16	SD0464	2	SWITCH HOLDER / SUPPORT CAPTEUR	
17	SE1139	1	HARNESS,CHAIN SLACK MAST 2; INFO - PC0469 / FAISCEAU CAPTEUR MOU DE CHAINE MAT 2; INFO - PC0469	A
18	SE1140	1	HARNESS,CHAIN SLACK MAST 5; INFO - PC0469 / FAISCEAU CAPTEUR MOU DE CHAINE MAT 5; INFO - PC0469	A
19	SE1141	1	HARNESS,CHAIN SLACK MAST 1; INFO - PC0469 / FAISCEAU CAPTEUR MOU DE CHAINE MAT 1; INFO - PC0469	A
20	ST3226	1	D.O.S. SWITCH MOUNT / PLATINE CAPTEUR D'ORIENTATION	
21	ST3227	1	ROTARY SWITCH MOUNT / PLATINE CAPTEUR ROTATIF	
22	US0204	2	ACTUATOR M16 / ACTIONNEUR M16	
23	US0208	1	ACTUATOR M14 / ACTIONNEUR M14	

SECTION 9 - DECALS INSTALL / INSTALLATION AUTOCOLLANTS

SECTION 9 - DECALS INSTALL / INSTALLATION AUTOCOLLANTS

SECTION 9 - DECALS INSTALL / INSTALLATION AUTOCOLLANTS

FIGURE 9-1. DECALS KITS / JEUX AUTOCOLLANTS



SECTION 9 - DECALS INSTALL / INSTALLATION AUTOCOLLANTS

FIGURE 9-1. DECALS KITS / JEUX AUTOCOLLANTS

ITEM	PART NUMBER	QTY	DESCRIPTION	REV
		Ref	INSTALL, DECALS; INFO - SA0107 / AUTOCOLLANTS; INFO - SA0107	D
0	PA1086	Ref	INSTALL, DECAL JLG LOGOS / INSTALLATION LOGOS JLG	
1	1705781	3	DECAL, JLG 2.75" / AUTOCOLLANT, JLG	
2	AU1825	1	DECAL, FRONT BASKET TOUCAN / LOGO TOUCAN AVANT PANIER	
0	PA1146	Ref	TOUCAN 10E - CE DECAL KIT / AUTOCOLLANTS CE T10E	C
0	PA1161	1	TOUCAN 10E - AUSSIE DECAL KIT / TOUCAN 10E - AUTOCOLLANTS AUSTRALIE	B
3	AU2095	1	DECAL, JIB MANUAL DESCENT / AUTOCOLLANT DESCENTE BRAS	
4	AU2108	4	DECAL, CRUSHING / AUTOCOLLANT ECRASEMENT	
5	1703814	5	DECAL, TIE DOWN / AUTOCOLLANT, ARRIMAGE	
6	AU2107	2	DECAL, HAND CRUSHING HAZARD / AUTOCOLLANT COINCEMENT MAIN	
7	AU2103	3	DECAL, ELECTROCUTION / AUTOCOLLANT ELECTROCUTION	
8	1703811	2	DECAL, LIFTING LUG / AUTOCOLLANT, ANNEAU DE LEVAGE	
9	AU2109	1	DECAL, INSTRUCTIONS AND LOADS / AUTOCOLLANT CONSIGNES ET CHARGES	
10	AU2098	2	DECAL, INSERT FORKS / AUTOCOLLANT PRISES DE FOURCHE	
11	1701499	3	DECAL, NO TIE DOWN/LIFT / AUTOCOLLANT ARRIMAGE	
12	AU2106	4	DECAL, WHEEL LOAD / AUTOCOLLANT CHARGES SUR ROUES	
13	AU2100	2	DECAL, "TOUCAN 10E" / AUTOCOLLANT "TOUCAN 10E"	
14	1706764	2	DECAL, WEBSITE / AUTOCOLLANT, JLG.COM	
15	AU2102	1	DECAL, LOADS AND INSTRUCTION / AUTOCOLLANT CHARGES ET CONSIGNE	
16	1701640	1	DECAL, MANUAL / AUTOCOLLANT, MANUEL	
17	1704016	2	DECAL, FORK LIFT / AUTOCOLLANT, PRISE FOURCHE	
18	AU0149	4	DECAL REP DRIVE DIRECTION / AUTOCOLLANT, REP SENS MARCHE	
19	AU2105	3	DECAL, NO KARCHER / AUTOCOLLANT KARCHER	
20	1706493	1	DECAL, DROP BAR / AU RISQUE DE CHUTE SOUS-LISSE	
21	1705803	1	DECAL, ELECTRICAL HAZARD / AUTOCOLLANT, RISQUES ELECTRIQUES	
22	AU2104	1	DECAL, BATTERY FILLING / AUTOCOLLANT REMPLISSAGE BATTERIE	
23	AU1423	1	FILTER CHANGE DECAL / AUTOCOLLANT, CHANGEMENT DE FILTRE	
24	AU2097	1	DECAL, OIL LEVEL / AUTOCOLLANT NIVEAU D'HUILE	
25	AU2099	1	DECAL, MANUAL SWING / AUTOCOLLANT ORIENTATION MANUELLE	
26	AU2096	1	DECAL, MAST MANUAL DESCENT / AUTOCOLLANT DESCENTE MAT (10E Prior to SN A300036700; SN A300090000 through A300091266, SN E300000000 through E300001504, SN 1300000000 through 1300007042)	B
26	AU2213	1	DECAL, MAST MANUAL DESCENT / AUTOCOLLANT DESCENTE MANUELLE MAT (10E SN A300036700 through A300037516)	B
27	1706740	1	DECAL, BATTERY DISCONNECT / AUTOCOLLANT, DECONNEXION BATTERIE	
28	1704277	1	DECAL, LANYARD ATTACH GRAPHIC / AUTOCOLLANT, ATTACHE HARNAIS	

SECTION 9 - DECALS INSTALL / INSTALLATION AUTOCOLLANTS

ITEM	PART NUMBER	QTY	DESCRIPTION	REV
29	AU2101	1	DECAL, TIE DOWN AND LIFTING / AUTOCOLLANT ARRIMAGE	
30	Not Required	1	NOT REQUIRED / NON REQUIS	
31	Not Required	1	NOT REQUIRED / NON REQUIS	
32	Not Required	1	NOT REQUIRED / NON REQUIS	
33	Not Required	1	NOT REQUIRED / NON REQUIS	
34	Not Required	1	NOT REQUIRED / NON REQUIS	
35	Not Required	1	NOT REQUIRED / NON REQUIS	
36	AU2209	1	DECAL, EMERGENCY CONTROLS / AUTOCOLLANT SECOURS	
37	AU2215	1	DECAL, SLACK CHAIN DETECTION / AUTOCOLLANT MOU DE CHAINE	
38	Not Required	1	NOT REQUIRED FOR CE / NON REQUIS POUR CE	
38	AU2228	1	AUSSIE DECAL, INDICATOR COVER D42 / AUTOCOLLANT AUSTRALIEN MASQUE D42	B
39	AU2229	1	DECAL, BATTERY CHARGER PLUG / AUTOCOLLANT PRISE CHARGEUR	B
40	Not Required	1	NOT REQUIRED / NON REQUIS	
41	1001212356	1	DECAL, DISTILLED WATER / AUTOCOLLANT EAU DISTILLEE	D
0	PA1147	Ref	TOUCAN 26E - ANSI ENGLISH DECAL KIT / AUTOCOLLANTS ANSI ANGLAIS T26E	C
3	AU2095	1	DECAL, JIB MANUAL DESCENT / AUTOCOLLANT DESCENTE BRAS	
4	AU2117	4	DECAL, CRUSHING HAZARD / AUTOCOLLANT RISQUE ECRASEMENT	
5	1703814	5	DECAL, TIE DOWN / AUTOCOLLANT, ARRIMAGE	
6	AU2119	2	DECAL, HAND CRUSHING HAZARD / AUTOCOLLANT COINCEMENT MAIN	
7	AU2118	3	DECAL, ELECTROCUTION HAZARD / AUTOCOLLANT RISQUE ELECTROCUTION	
8	1703811	2	DECAL, LIFTING LUG / AUTOCOLLANT, ANNEAU DE LEVAGE	
9	AU2121	1	DECAL, LOADS AND INSTRUCTION / AUTOCOLLANT CHARGES ET CONSIGNE	
10	AU2098	2	DECAL, INSERT FORKS / AUTOCOLLANT PRISES DE FOURCHE	
11	1701499	3	TIE DOWN DECAL / AU ARRIMAGE	
12	AU2116	4	DECAL, WHEEL LOAD / AUTOCOLLANT CHARGES SUR ROUES	
13	AU2122	2	DECAL, TOUCAN 26E / AUTOCOLLANT TOUCAN 26E	
14	1704885	2	WWW.JLG.COM DECAL / AUTOCOLLANT WWW.JLG.COM	
15	AU2120	1	DECAL, LOADS AND INSTRUCTION / AUTOCOLLANT CHARGES ET CONSIGNE	
16	1701640	1	DECAL, MANUAL / AUTOCOLLANT, MANUEL	
17	1704016	2	DECAL, FORKLIFT LOCATION / AUTOCOLLANT, PRISE FOURCHE	
18	AU0149	4	DECAL REP DRIVE DIRECTION / AUTOCOLLANT, REP SENS MARCHE	
19	AU2105	3	DECAL, NO KARCHER / AUTOCOLLANT KARCHER	
20	Not Required	0	NOT REQUIRED / NON REQUIS	
21	1703785	1	DECAL, WARNING-EXPLOSION / AUTOCOLLANT, DANGER-EXPLOSION	
22	AU2104	1	DECAL, BATTERY FILLING / AUTOCOLLANT REMPLISSAGE BATTERIE	
23	AU1423	1	DECAL, FILTER CHANGE DECAL / AUTOCOLLANT, CHANGEMENT DE FILTRE	
24	AU2097	1	DECAL, OIL LEVEL / AUTOCOLLANT NIVEAU D'HUILE	
25	AU2099	1	DECAL, MANUAL SWING / AUTOCOLLANT ORIENTATION	

SECTION 9 - DECALS INSTALL / INSTALLATION AUTOCOLLANTS

ITEM	PART NUMBER	QTY	DESCRIPTION	REV
26	AU2096	1	MANUELLE DECAL, MAST MANUAL DESCENT / AUTOCOLLANT DESCENTE MAT (26E Prior to SN A300052839)	B
26	AU2213	1	DECAL,MAST MANUAL DESCENT / AUTOCOLLANT DESCENTE MANUELLE MAT (26E SN A300052839 to Present)	B
27	1706740	1	DECAL, BATTERY DISCONNECT / AUTOCOLLANT, DECONNEXION BATTERIE	
28	1704277	1	DECAL, LANYARD ATTACH / AUTOCOLLANT, ATTACHE HARNAIS	
29	AU2101	1	DECAL, TIE DOWN AND LIFTING / AUTOCOLLANT ARRIMAGE	
30	Not Required	1	NOT REQUIRED / NON REQUIS	
31	Not Required	1	NOT REQUIRED / NON REQUIS	
32	Not Required	1	NOT REQUIRED / NON REQUIS	
33	Not Required	1	NOT REQUIRED / NON REQUIS	
34	Not Required	1	NOT REQUIRED / NON REQUIS	
35	Not Required	1	NOT REQUIRED / NON REQUIS	
36	AU2209	1	DECAL, EMERGENCY CONTROLS / AUTOCOLLANT SECOURS	B
37	AU2215	1	DECAL,SLACK CHAIN DETECTION / AUTOCOLLANT MOU DE CHAINE	B
38	AU2228	1	DECAL,INDICATOR COVER D42 / AUTOCOLLANT CACHE VOYANT D42	C
39	AU2229	1	DECAL,BATTERY CHARGER PLUG / AUTOCOLLANT PRISE CHARGEUR	C
40	AU2206	1	DECAL,INDICATOR COVER D28 / AUTOCOLLANT CACHE VOYANT D28	C
41	1001212355	1	DECAL,DISTILLED WATER / AUTOCOLLANT EAU DISTILLEE	D
0	PA1148	Ref	INSTALL, T26E DECALS CSA / AUTOCOLLANTS T26E CSA	C
3	AU2095	1	DECAL,JIB MANUAL DESCENT / AUTOCOLLANT DESCENTE BRAS	
4	AU2117	4	DECAL,CRUSHING HAZARD / AUTOCOLLANT RISQUE ECRASEMENT	
5	1703814	5	DECAL,TIE DOWN / AUTOCOLLANT, ARRIMAGE	
6	AU2119	2	DECAL,HAND CRUSHING HAZARD / AUTOCOLLANT COINCEMENT MAIN	
7	AU2118	3	DECAL,ELECTROCUTION HAZARD / AUTOCOLLANT RISQUE ELECTROCUTION	
8	1703811	2	DECAL,LIFTING LUG / AUTOCOLLANT, ANNEAU DE LEVAGE	
9	AU2142	1	DECAL, SAFETY INSTRUCTIONS GB/FR / AUTOCOLLANT FR/GB SECURITE	
10	AU2098	2	DECAL,INSERT FORKS / AUTOCOLLANT PRISES DE FOURCHE	
11	1701499	3	TIE DOWN DECAL / AU ARRIMAGE	
12	AU2116	4	DECAL,WHEEL LOAD / AUTOCOLLANT CHARGES SUR ROUES	
13	AU2122	2	DECAL,TOUCAN 26E / AUTOCOLLANT TOUCAN 26E	
14	1704885	2	WWW.JLG.COM DECAL / AUTOCOLLANT WWW.JLG.COM	
15	AU2120	1	DECAL,LOADS AND INSTRUCTION / AUTOCOLLANT CHARGES ET CONSIGNE	
16	1701640	1	DECAL, MANUAL / AUTOCOLLANT, MANUEL	
17	1704016	2	DECAL, FORKLIFT LOCATION / AUTOCOLLANT, PRISE FOURCHE	
18	AU0149	4	DECAL REP DRIVE DIRECTION / AUTOCOLLANT, REP SENS MARCHE	
19	AU2105	3	DECAL,NO KARCHER / AUTOCOLLANT KARCHER	
20	Not Required	0	NOT REQUIRED / NON REQUIS	
21	1703785	1	DECAL,WARNING-EXPLOSION / AUTOCOLLANT, DANGER-	

SECTION 9 - DECALS INSTALL / INSTALLATION AUTOCOLLANTS

ITEM	PART NUMBER	QTY	DESCRIPTION	REV
22	AU2104	1	EXPLOSION DECAL,BATTERY FILLING / AUTOCOLLANT REMPLISSAGE BATTERIE	
23	AU1423	1	DECAL,FILTER CHANGE DECAL / AUTOCOLLANT, CHANGEMENT DE FILTRE	
24	AU2097	1	DECAL,OIL LEVEL / AUTOCOLLANT NIVEAU D'HUILE	
25	AU2099	1	DECAL,MANUAL SWING / AUTOCOLLANT ORIENTATION MANUELLE	
26	AU2096	1	DECAL, MAST MANUAL DESCENT / AUTOCOLLANT DESCENTE MAT (26E Prior to SN A300052839)	B
26	AU2213	1	DECAL,MAST MANUAL DESCENT / AUTOCOLLANT DESCENTE MANUELLE MAT (26E SN A300052839 to Present)	B
27	1706740	1	DECAL, BATTERY DISCONNECT / AUTOCOLLANT, DECONNEXION BATTERIE	
28	1704277	1	DECAL,LANYARD ATTACH / AUTOCOLLANT, ATTACHE HARNAIS	
29	AU2101	1	DECAL,TIE DOWN AND LIFTING / AUTOCOLLANT ARRIMAGE	
30	AU2140	2	DECAL, HAND CRUSHING HAZARD FR / AUTOCOLLANT FRANCE COINCEMENT MAIN	
31	1705514	1	CSA DECAL / AUTOCOLLANT CSA	
32	AU2141	1	DECAL, LOADS AND SAFETY INSTRUCTIONS FR / AUTOCOLLANT FRANCE CHARGES ET CONSIGNE	
33	AU2143	3	DECAL, CRUSHING HAZARD FR / AUTOCOLLANT FRANCE COINCEMENT	
34	AU2144	3	DECAL, ELECTROCUTION HAZARD FR / AUTOCOLLANT FRANCE RISQUE ELECTROCUTION	
35	AU2145	1	DECAL, WARNING EXPLOSION FR / AUTOCOLLANT FRANCE DANGER EXPLOSION	
36	AU2209	1	DECAL, EMERGENCY CONTROLS / AUTOCOLLANT SECOURS	B
37	AU2215	1	DECAL,SLACK CHAIN DETECTION / AUTOCOLLANT MOU DE CHAINE	B
38	AU2228	1	DECAL,INDICATOR COVER D42 / AUTOCOLLANT MASQUE D42	C
39	AU2229	1	DECAL,BATTERY CHARGER PLUG / AUTOCOLLANT PRISE CHARGEUR	C
40	AU2206	1	DECAL,INDICATOR COVER D28 / AUTOCOLLANT CACHE VOYANT D28	C
41	1001212355	1	DECAL,DISTILLED WATER / AUTOCOLLANT EAU DISTILLEE	D
0	PA1149	Ref	INSTALL, T26E DECALS DOM2 / AUTOCOLLANTS T26E DOM2	C
3	AU2095	1	DECAL,JIB MANUAL DESCENT / AUTOCOLLANT DESCENTE BRAS	
4	AU2117	4	DECAL,CRUSHING HAZARD / AUTOCOLLANT RISQUE ECRASEMENT	
5	1703814	5	DECAL,TIE DOWN / AUTOCOLLANT, ARRIMAGE	
6	AU2119	2	DECAL,HAND CRUSHING HAZARD / AUTOCOLLANT COINCEMENT MAIN	
7	AU2118	3	DECAL,ELECTROCUTION HAZARD / AUTOCOLLANT RISQUE ELECTROCUTION	
8	1703811	2	DECAL,LIFTING LUG / AUTOCOLLANT, ANNEAU DE LEVAGE	
9	AU2146	1	DECAL, SAFETY INSTRUCTIONS GB/SP / AUTOCOLLANT INSTRUCTIONS GB/SP	
10	AU2098	2	DECAL,INSERT FORKS / AUTOCOLLANT PRISES DE FOURCHE	
11	1701499	3	TIE DOWN DECAL / AU ARRIMAGE	
12	AU2116	4	DECAL,WHEEL LOAD / AUTOCOLLANT CHARGES SUR ROUES	
13	AU2122	2	DECAL,TOUCAN 26E / AUTOCOLLANT TOUCAN 26E	
14	1704885	2	WWW.JLG.COM DECAL / AUTOCOLLANT WWW.JLG.COM	

SECTION 9 - DECALS INSTALL / INSTALLATION AUTOCOLLANTS

ITEM	PART NUMBER	QTY	DESCRIPTION	REV
15	AU2120	1	DECAL,LOADS AND INSTRUCTION / AUTOCOLLANT CHARGES ET CONSIGNE	
16	1701640	1	DECAL, MANUAL / AUTOCOLLANT, MANUEL	
17	1704016	2	DECAL, FORKLIFT LOCATION / AUTOCOLLANT, PRISE FOURCHE	
18	AU0149	4	DECAL REP DRIVE DIRECTION / AUTOCOLLANT, REP SENS MARCHE	
19	AU2105	3	DECAL,NO KARCHER / AUTOCOLLANT KARCHER	
20	Not Required	0	NOT REQUIRED / NON REQUIS	
21	1703785	1	DECAL,WARNING-EXPLOSION / AUTOCOLLANT, DANGER-EXPLOSION	
22	AU2104	1	DECAL,BATTERY FILLING / AUTOCOLLANT REMPLISSAGE BATTERIE	
23	AU1423	1	DECAL,FILTER CHANGE DECAL / AUTOCOLLANT, CHANGEMENT DE FILTRE	
24	AU2097	1	DECAL,OIL LEVEL / AUTOCOLLANT NIVEAU D'HUILE	
25	AU2099	1	DECAL,MANUAL SWING / AUTOCOLLANT ORIENTATION MANUELLE	
26	AU2096	1	DECAL, MAST MANUAL DESCENT / AUTOCOLLANT DESCENTE MAT (26E Prior to SN A300052839)	B
26	AU2213	1	DECAL,MAST MANUAL DESCENT / AUTOCOLLANT DESCENTE MANUELLE MAT (26E SN A300052839 to Present)	B
27	1706740	1	DECAL, BATTERY DISCONNECT / AUTOCOLLANT, DECONNEXION BATTERIE	
28	1704277	1	DECAL,LANYARD ATTACH / AUTOCOLLANT, ATTACHE HARNAIS	
29	AU2101	1	DECAL,TIE DOWN AND LIFTING / AUTOCOLLANT ARRIMAGE	
30	AU2147	2	DECAL, HAND CRUSHING HAZARD SP / AUTOCOLLANT ESPAGNOL COINCEMENT MAIN	
31	Not Required	1	NOT REQUIRED / NON REQUIS	
32	AU2148	1	DECAL, LOADS AND SAFETY INSTRUCTION SP / AUTOCOLLANT ESPAGNOL CHARGES ET CONSIGNE	
33	AU2149	3	DECAL, CRUSHING HAZARD SP / AUTOCOLLANT ESPAGNOL COINCEMENT	
34	AU2150	3	DECAL, ELECTROCUTION HAZARD SP / AUTOCOLLANT ESPAGNOL RISQUE ELECTROCUTION	
35	1704031	1	DECAL, WARNING EXPLOSION SP / AUTOCOLLANT ESPAGNOL DANGER EXPLOSION	
36	AU2209	1	DECAL, EMERGENCY CONTROLS / AUTOCOLLANT SECOURS	B
37	AU2215	1	DECAL,SLACK CHAIN DETECTION / AUTOCOLLANT MOU DE CHAINE	B
38	AU2228	1	DECAL,INDICATOR COVER D42 / AUTOCOLLANT MASQUE D42	C
39	AU2229	1	DECAL,BATTERY CHARGER PLUG / AUTOCOLLANT PRISE CHARGEUR	C
40	AU2206	1	DECAL,INDICATOR COVER D28 / AUTOCOLLANT CACHE VOYANT D28	C
41	1001212355	1	DECAL,DISTILLED WATER / AUTOCOLLANT EAU DISTILLEE	D
0	PA1151	Ref	INSTALL, T26E DECALS LATIN / AUTOCOLLANTS T26E LATIN	C
3	AU2095	1	DECAL,JIB MANUAL DESCENT / AUTOCOLLANT DESCENTE BRAS	
4	AU2149	4	DECAL, CRUSHING HAZARD SP / AUTOCOLLANT ESPAGNOL COINCEMENT	
5	1703814	5	DECAL,TIE DOWN / AUTOCOLLANT, ARRIMAGE	
6	AU2147	2	DECAL, HAND CRUSHING HAZARD SP / AUTOCOLLANT ESPAGNOL COINCEMENT MAIN	

SECTION 9 - DECALS INSTALL / INSTALLATION AUTOCOLLANTS

ITEM	PART NUMBER	QTY	DESCRIPTION	REV
7	AU2150	3	DECAL, ELECTROCUTION HAZARD SP / AUTOCOLLANT ESPAGNOL RISQUE ELECTROCUTION	
8	1703811	2	DECAL,LIFTING LUG / AUTOCOLLANT, ANNEAU DE LEVAGE	
9	AU2151	1	DECAL, SAFETY INSTRUCTIONS PT/SP / AUTOCOLLANT INSTRUCTIONS PT/SP	
10	AU2098	2	DECAL,INSERT FORKS / AUTOCOLLANT PRISES DE FOURCHE	
11	1701499	3	TIE DOWN DECAL / AU ARRIMAGE	
12	AU2116	4	DECAL,WHEEL LOAD / AUTOCOLLANT CHARGES SUR ROUES	
13	AU2122	2	DECAL,TOUCAN 26E / AUTOCOLLANT TOUCAN 26E	
14	1704885	2	WWW.JLG.COM DECAL / AUTOCOLLANT WWW.JLG.COM	
15	AU2153	1	DECAL, LOADS AND SAFETY INSTRUCTION PT / AUTOCOLLANT PT/SP CHARGES ET CONSIGNE	
16	1701640	1	DECAL, MANUAL / AUTOCOLLANT, MANUEL	
17	1704016	2	DECAL, FORKLIFT LOCATION / AUTOCOLLANT, PRISE FOURCHE	
18	AU0149	4	DECAL REP DRIVE DIRECTION / AUTOCOLLANT, REP SENS MARCHE	
19	AU2105	3	DECAL,NO KARCHER / AUTOCOLLANT KARCHER	
20	Not Required	0	NOT REQUIRED / NON REQUIS	
21	1704031	1	DECAL, WARNING EXPLOSION SP / AUTOCOLLANT ESPAGNOL DANGER EXPLOSION	
22	AU2104	1	DECAL,BATTERY FILLING / AUTOCOLLANT REMPLISSAGE BATTERIE	
23	AU1423	1	DECAL,FILTER CHANGE DECAL / AUTOCOLLANT, CHANGEMENT DE FILTRE	
24	AU2097	1	DECAL,OIL LEVEL / AUTOCOLLANT NIVEAU D'HUILE	
25	AU2099	1	DECAL,MANUAL SWING / AUTOCOLLANT ORIENTATION MANUELLE	
26	AU2096	1	DECAL, MAST MANUAL DESCENT / AUTOCOLLANT DESCENTE MAT (26E Prior to SN A300052839)	B
26	AU2213	1	DECAL,MAST MANUAL DESCENT / AUTOCOLLANT DESCENTE MANUELLE MAT (26E SN A300052839 to Present)	B
27	1706740	1	DECAL, BATTERY DISCONNECT / AUTOCOLLANT, DECONNEXION BATTERIE	
28	1704277	1	DECAL,LANYARD ATTACH / AUTOCOLLANT, ATTACHE HARNAIS	
29	AU2101	1	DECAL,TIE DOWN AND LIFTING / AUTOCOLLANT ARRIMAGE	
30	AU2152	2	DECAL, HAND CRUSHING HAZARD PT / AUTOCOLLANT PT/SP COINCEMENT MAIN	
31	Not Required	0	NOT REQUIRED / NON REQUIS	
32	AU2148	1	DECAL, LOADS AND SAFETY INSTRUCTION SP / AUTOCOLLANT ESPAGNOL CHARGES ET CONSIGNE	
33	AU2154	3	DECAL, CRUSHING HAZARD PT / AUTOCOLLANT PT/SP COINCEMENT	
34	AU2155	3	DECAL, ELECTROCUTION HAZARD PT / AUTOCOLLANT PT/SP RISQUE ELECTROCUTION	
35	1704023	1	DECAL, WARNING EXPLOSION PT / AUTOCOLLANT BRESIL DANGER EXPLOSION	
36	AU2209	1	DECAL, EMERGENCY CONTROLS / AUTOCOLLANT SECOURS	B
37	AU2215	1	DECAL,SLACK CHAIN DETECTION / AUTOCOLLANT MOU DE CHAINE	B
38	AU2228	1	DECAL,INDICATOR COVER D42 / AUTOCOLLANT MASQUE D42	C
39	AU2229	1	DECAL,BATTERY CHARGER PLUG / AUTOCOLLANT PRISE CHARGEUR	C
40	AU2206	1	DECAL,INDICATOR COVER D28 / AUTOCOLLANT CACHE VOYANT D28	C

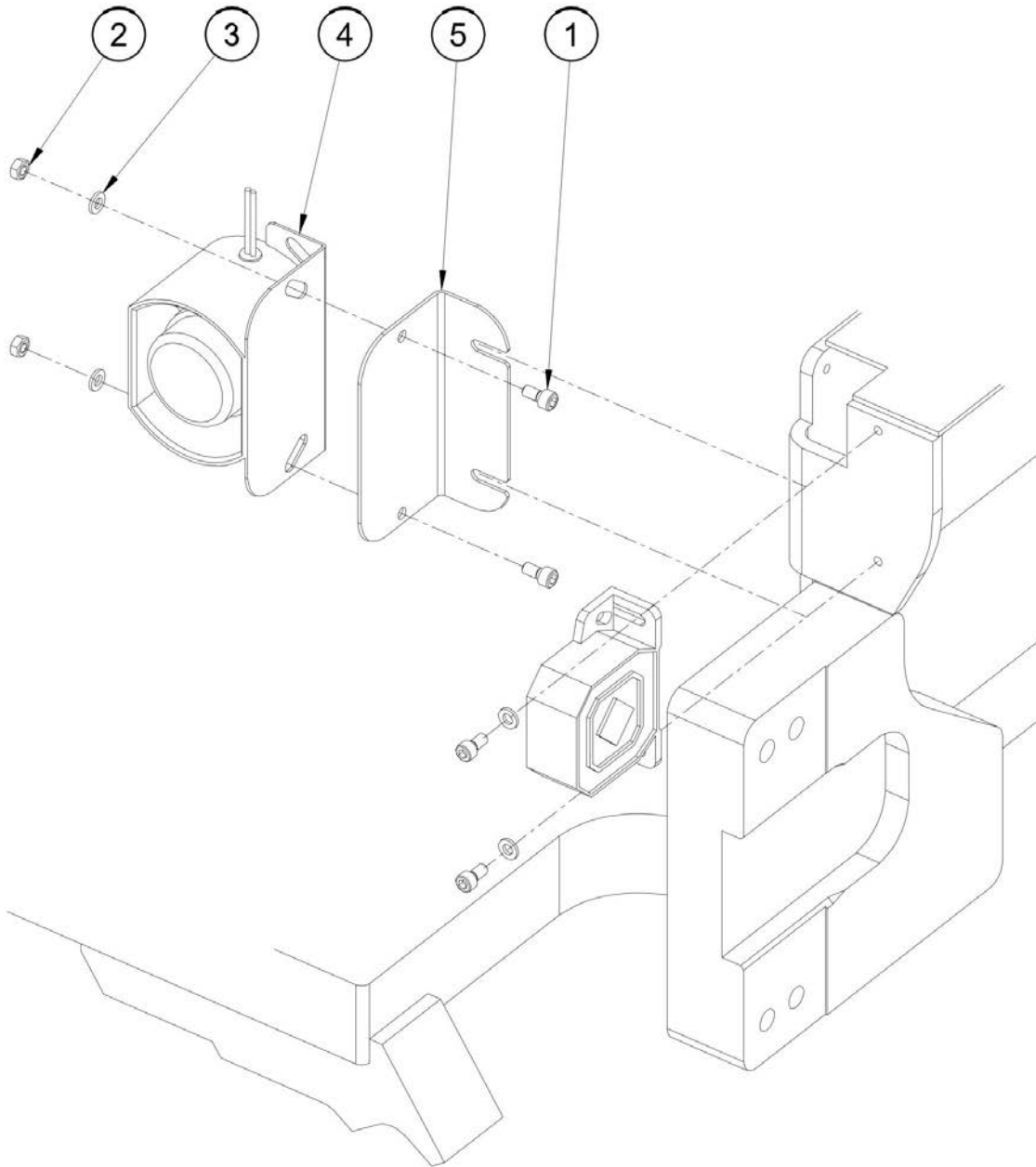
SECTION 9 - DECALS INSTALL / INSTALLATION AUTOCOLLANTS

ITEM	PART NUMBER	QTY	DESCRIPTION	REV
41	1001212355	1	DECAL,DISTILLED WATER / AUTOCOLLANT EAU DISTILLEE	D

SECTION 10 - OPTIONS / OPTIONS

SECTION 10 - OPTIONS / OPTIONS

FIGURE 10-1. MOTION ALARM INSTALL / INSTALLATION ALARME DE MOUVEMENT



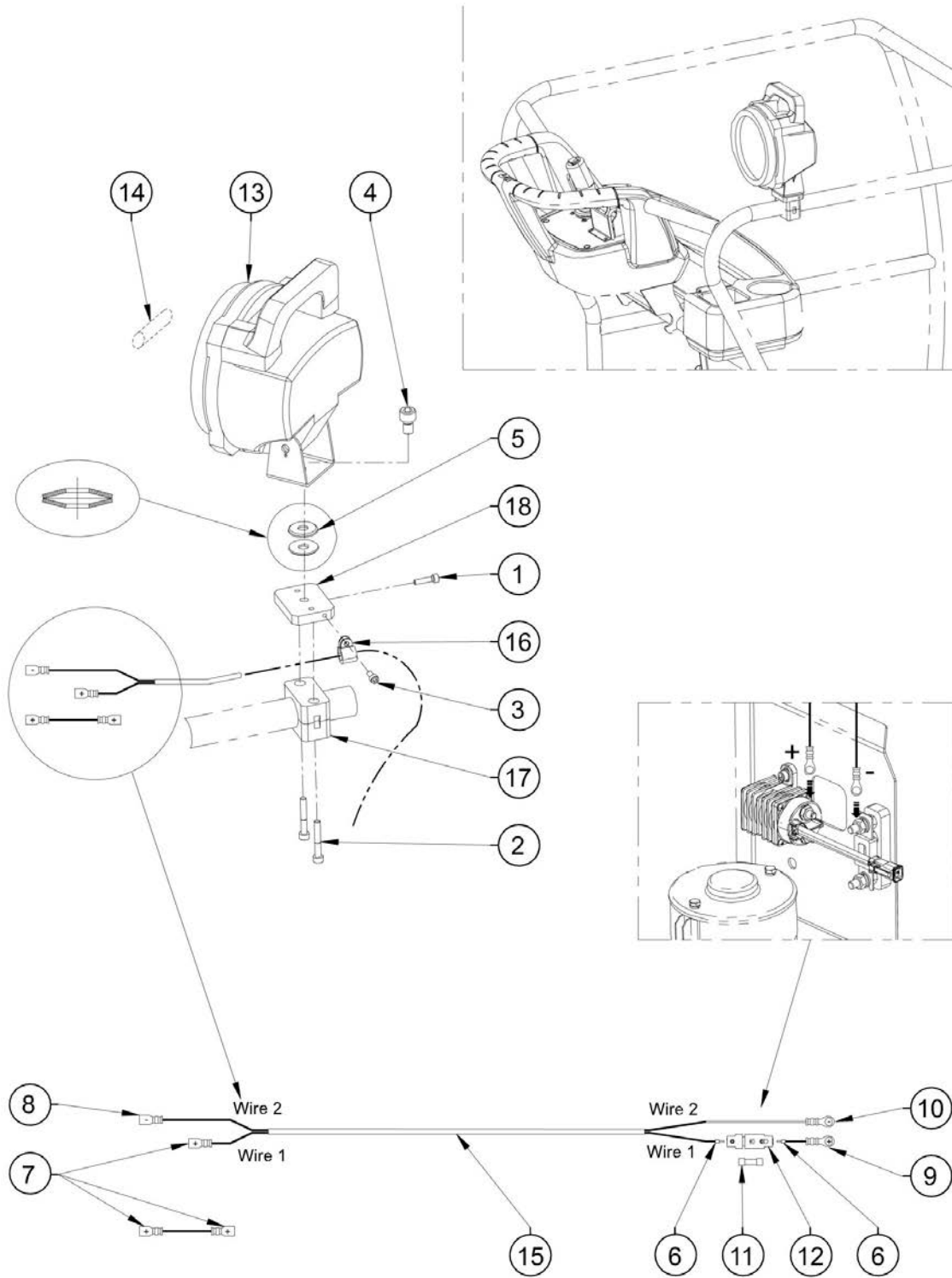
SECTION 10 - OPTIONS / OPTIONS

FIGURE 10-1. MOTION ALARM INSTALL / INSTALLATION ALARME DE MOUVEMENT

ITEM	PART NUMBER	QTY	DESCRIPTION	REV
	OP509		INSTALL, MOTION ALARM; INFO - OP509 / INSTALLATION ALARME DE MOUVEMENT; INFO - OP509	
1	000014	2	M06x12 8.8 SOCKET HEAD MACH SCREW / VIS CHC M06x12 8.8 BI FT	
2	110003	2	M06 GR08 LOCK NUT / ECROU FREIN M6 CL08 BI	
3	120009	2	dD 06x14 LOCK WASHER / RONDELLE CONTACT dD 06x14 BI	
4	PC0466	1	HARNES, MOTION ALARM / FAISCEAU ALARME DE MOUVEMENT	
5	ST3022	1	MOTION ALARM BRACKET / EQUERRE ALARME DE MOUVEMENTS	

SECTION 10 - OPTIONS / OPTIONS

FIGURE 10-2. WORKING LIGHT INSTALL / INSTALLATION PHARE DE TRAVAIL



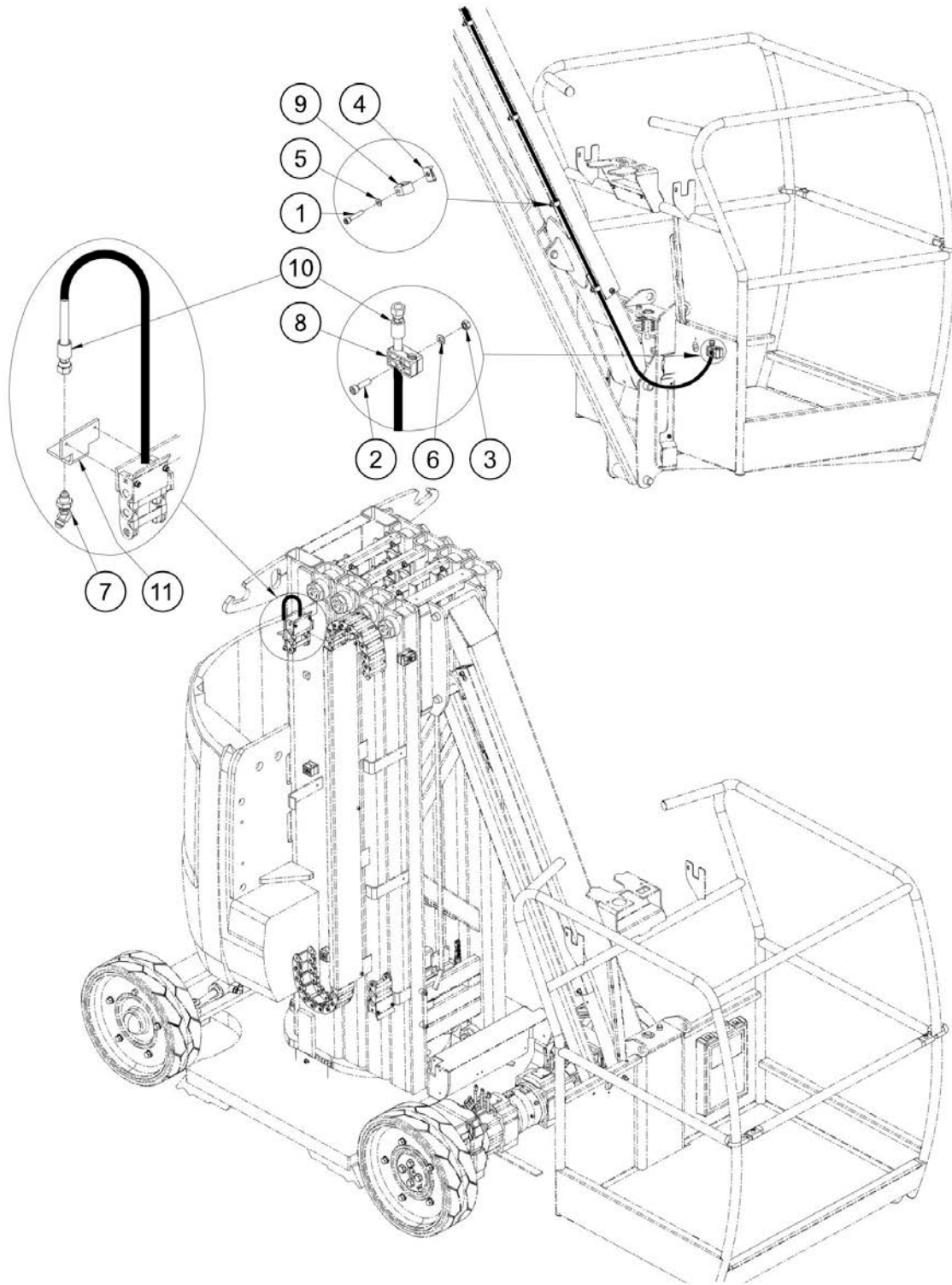
SECTION 10 - OPTIONS / OPTIONS

FIGURE 10-2. WORKING LIGHT INSTALL / INSTALLATION PHARE DE TRAVAIL

ITEM	PART NUMBER	QTY	DESCRIPTION	REV
	OP516		WORKING LIGHT INSTALL; INFO - OP516 / INSTALLATION PHARE DE TRAVAIL; INFO - OP516	
1	000010	1	M05x20 8.8 SOCKET HEAD MACH SCREW / VIS CHC M05x20 8.8 BI FT	
2	000017	2	M06x40 8.8 SOCKET HEAD MACH SCREW / VIS CHC M06x40 8.8 BI FT	
3	000067	1	M05x12 8.8 SOCKET HEAD MACH SCREW / VIS CHC M05x12 8.8 BI FT	
4	000069	1	M10x16 8.8 SOCKET HEAD MACH SCREW / VIS CHC M10x16 8.8 BI FT	
5	120043	2	BEVEL WASHER Ø28x10.2x1 / RONDELLE RESSORT Ø28x10.2x1 BR	
6	250001	2	FERRULE TERMINAL 1mm ² / EMBOUT 1mm ²	
7	250026	3	RED RECEPTACLE TERM. 6.3 - 0.5-1.2mm ² / COSSE FEMELLE 6.3 ROUGE - 0.5-1.2mm ²	
8	250027	1	BLUE RECEPTACLE TER. 6.3 - 1.5-2.5mm ² / COSSE FEM. 6.3 BLEUE 6.3 - 1.5-2.5mm ²	
9	250084	1	M08 EYELET TERMINAL 0.25-1mm ² / COSSE A OEIL ISOLEE M8 - 0.25-1mm ²	
10	250172	1	M10 EYELET TERMINAL 1-2.5mm ² / COSSE A OEIL ISOLEE M10 - 1-2.5mm ²	
11	260006	1	5x20 3.15A FUSE / FUSIBLE 5x20 3.15A	
12	260007	1	FUSE HOLDER / PORTE FUSIBLE	
13	260144	1	24V 70W LIGHT / PHARE 24V 70W	
14	260146	1	BULB H3 / 70W / AMPOULE H3 / 70W	
15	270031	12	CABLE 2x1mm (quantity indicated in meter) / CABLE 2x1mm ² (qté indiquée en mètre)	
16	400034	1	COLLAR / COLLIER	
17	400077	1	CLAMP, SINGLE D30 / COLLIER D30	
18	FX158-014	1	PLATFORM LIGHT PLATE / PLATINE PHARE DE TRAVAIL	

SECTION 10 - OPTIONS / OPTIONS

FIGURE 10-3. AIR LINE INSTALL / INSTALLATION AIR COMPRIME



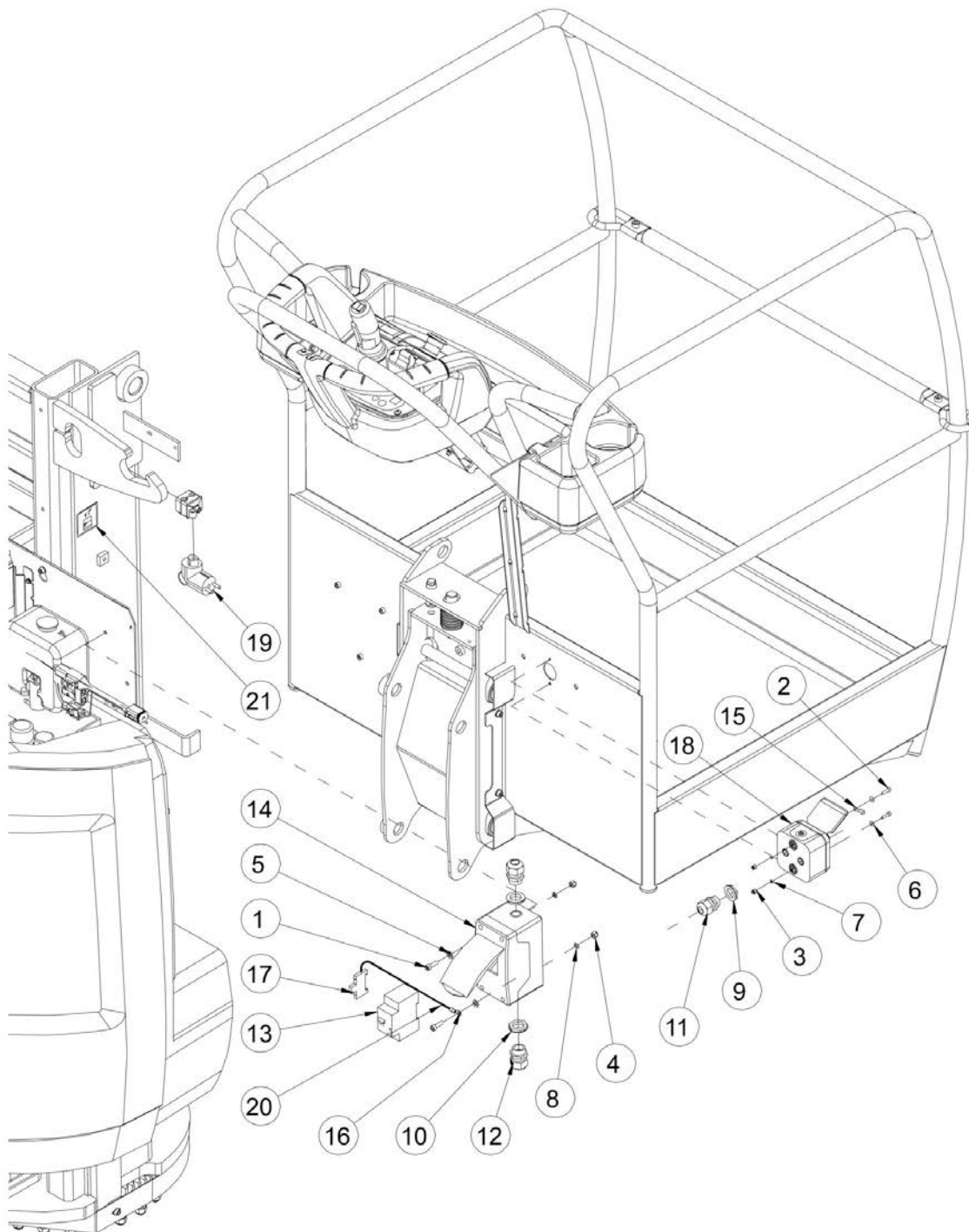
SECTION 10 - OPTIONS / OPTIONS

FIGURE 10-3. AIR LINE INSTALL / INSTALLATION AIR COMPRI ME

ITEM	PART NUMBER	QTY	DESCRIPTION	REV
	OP510		INSTALL, AIR LINE 5/16; INFO - OP510 / INSTALLATION AIR COMPRI ME 5/16; INFO - OP510	
1	000016	4	M06x30 8.8 SOCKET HEAD MACH SCREW / VIS CHC M06x30 8.8 BI FT	
2	000044	1	M08x30 8.8 SOCKET HEAD MACH SCREW / VIS CHC M08x30 8.8 BI FT	
3	110004	1	M08 GR08 LOCK NUT / ECROU FREIN M8 CL08 BI	
4	110026	4	M06 CAGE HEX NUT / ECROU CAGE M06	
5	120009	4	dD 06x14 LOCK WASHER / RONDELLE CONTACT dD 06x14 BI	
6	120010	1	dD 08x18 LOCK WASHER / RONDELLE CONTACT dD 08x18 BI	
7	300161	1	45° BULKHEAD JIC 9/16 / TRAVERSEE DE CLOISON 45° JIC 9/16	
8	400011	1	CLAMP, TWIN D15 / COLLIER DOUBLE D15	
9	400047	4	CLAMP, SINGLE 12 / COLLIER D12	
10	DF0978	1	HOSE 5/16-0830cm-JIC Fem 9/16-JIC Fem 9/16 / FLEXIBLE 5/16-0830cm-JIC Fem 9/16-JIC Fem 9/16	
11	ST1969	1	BRACKET / EQUERRE	

SECTION 10 - OPTIONS / OPTIONS

FIGURE 10-4. 230V PLATFORM SOCKET INSTALL / INSTALLATION PRISE PLATE-FORME 230V



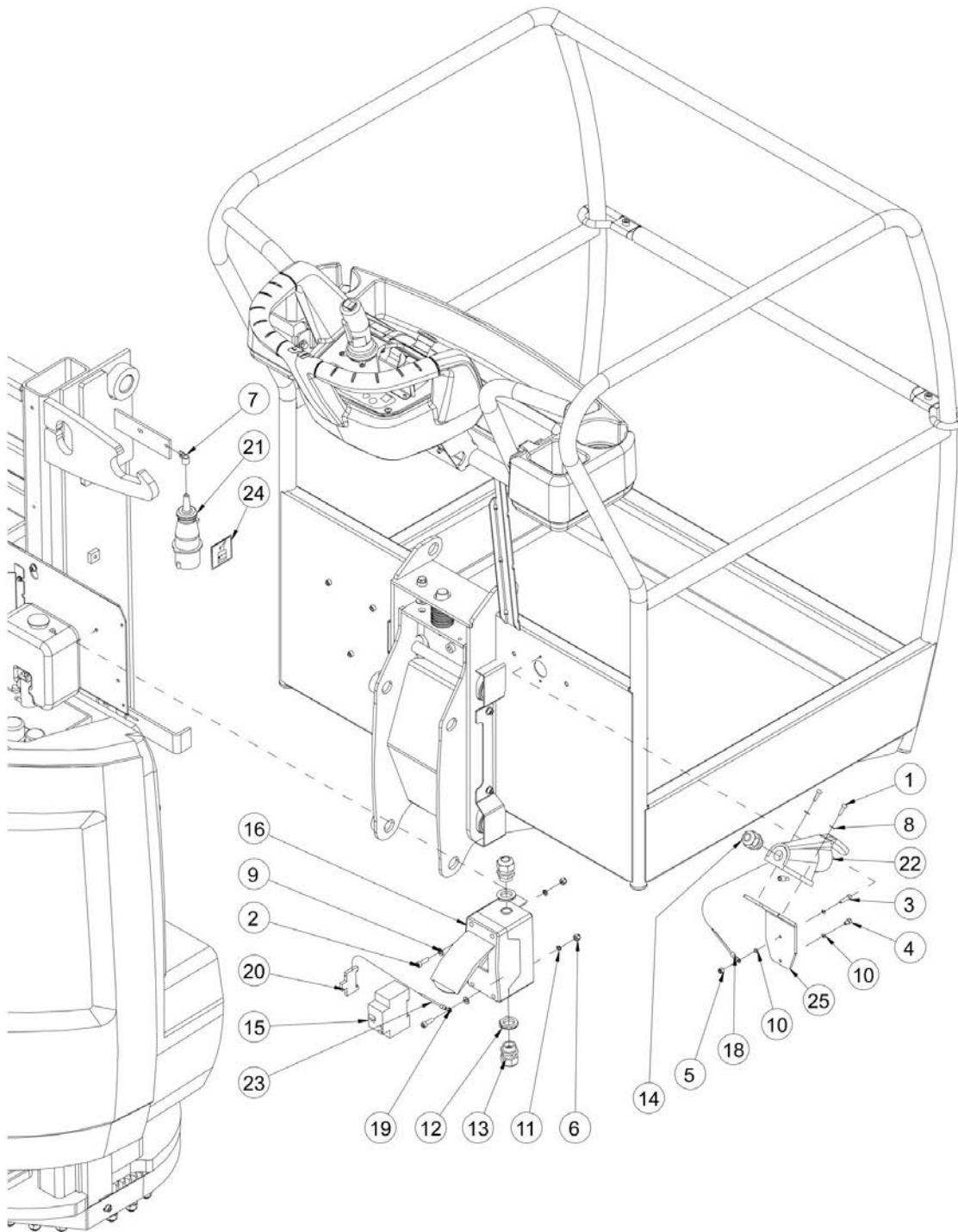
SECTION 10 - OPTIONS / OPTIONS

FIGURE 10-4. 230V PLATFORM SOCKET INSTALL / INSTALLATION PRISE PLATE-FORME 230V

ITEM	PART NUMBER	QTY	DESCRIPTION	REV
	SA0026	Ref	INSTALL, PLATFORM 230V FRENCH SOCKET / INSTALLATION PRISE PANIER FRANCE 230V	D
	SA0027	Ref	INSTALL, PLATFORM 230V GERMAN SOCKET / INSTALLATION PRISE PANIER ALLEMAGNE 230V	D
1	000005	2	M06x20 8.8 SOCKET HEAD MACH SCREW / VIS CHC M06x20 8.8 BI FT	
2	000085	2	M04x16 8.8 SOCKET HEAD MACH SCREW / VIS CHC M04x16 8.8 BI FT	
3	110001	2	M04 GR08 LOCK NUT / ECROU FREIN M4 CL08 BI	
4	110003	2	M06 GR08 LOCK NUT / ECROU FREIN M6 CL08 BI	
5	120009	2	dD 06x14 LOCK WASHER / RONDELLE CONTACT dD 06x14 BI	
6	120024	2	M4 LOCK WASHER / RONDELLE CONTACT M4 BI	
7	120058	2	WASHER, D4 SERRATED LOCK / RONDELLE EVENTAIL D4	C
8	120060	2	WASHER, D6 SERRATED LOCK / RONDELLE EVENTAIL D6	C
9	210011	1	GLAND N°13 NUT / ECROU DE PRESSE ETOUPE N°13	
10	210012	2	GLAND N°16 NUT / ECROU DE PRESSE ETOUPE N°16	
11	210019	1	GLAND N°13 / PRESSE ETOUPE N°13	
12	210021	2	GLAND N°16 / PRESSE ETOUPE N°16	
13	1001181045	1	CUTOUT 30 mA / DISJONCTEUR DIFFERENTIEL 30 mA	D
14	240093	1	CUTOUT BOX / BOITIER DISJONCTEUR	B
15	250089	1	M4 EYELET TERMINAL 1-2.5mm ² / COSSE A OEIL ISOLEE M4 - 1-2.5mm ²	C
16	250091	1	M6 EYELET TERMINAL 1-2.5mm ² / COSSE A OEIL ISOLEE M6 - 1-2.5mm ²	
17	250135	1	TERMINAL BLOCK VICKING / BLOC DE JONCTION VICKING	B
18	260029	1	FRENCH 230 VAC SOCKET 2P+T / PRISE FEM. FRANCAISE 230VAC 2P+T	
18	260187	1	GERMAN 230 VAC SOCKET 2P+T / PRISE FEM. ALLEMANDE 230VAC 2P+T	
19	260214	1	FRENCH AND GERMAN 230V CONNECTOR / PRISE 230V FRANCAISE ET ALLEMANDE	
20	270002	0.4	WIRE 2 mm ² Y/G (qty indicated in meter) / FIL 2 mm ² V/J (qté indiquée en mètre)	
21	AU1716	1	PLATFORM SOCKET DECAL / AUTOCOLLANT PRISE PANIER	

SECTION 10 - OPTIONS / OPTIONS

FIGURE 10-5. 115V (IEC 60309-YELLOW) PLATFORM SOCKET INSTALL / INSTALLATION PRISE
PLATE-FORME 115V (CEI 60309-JAUNE)



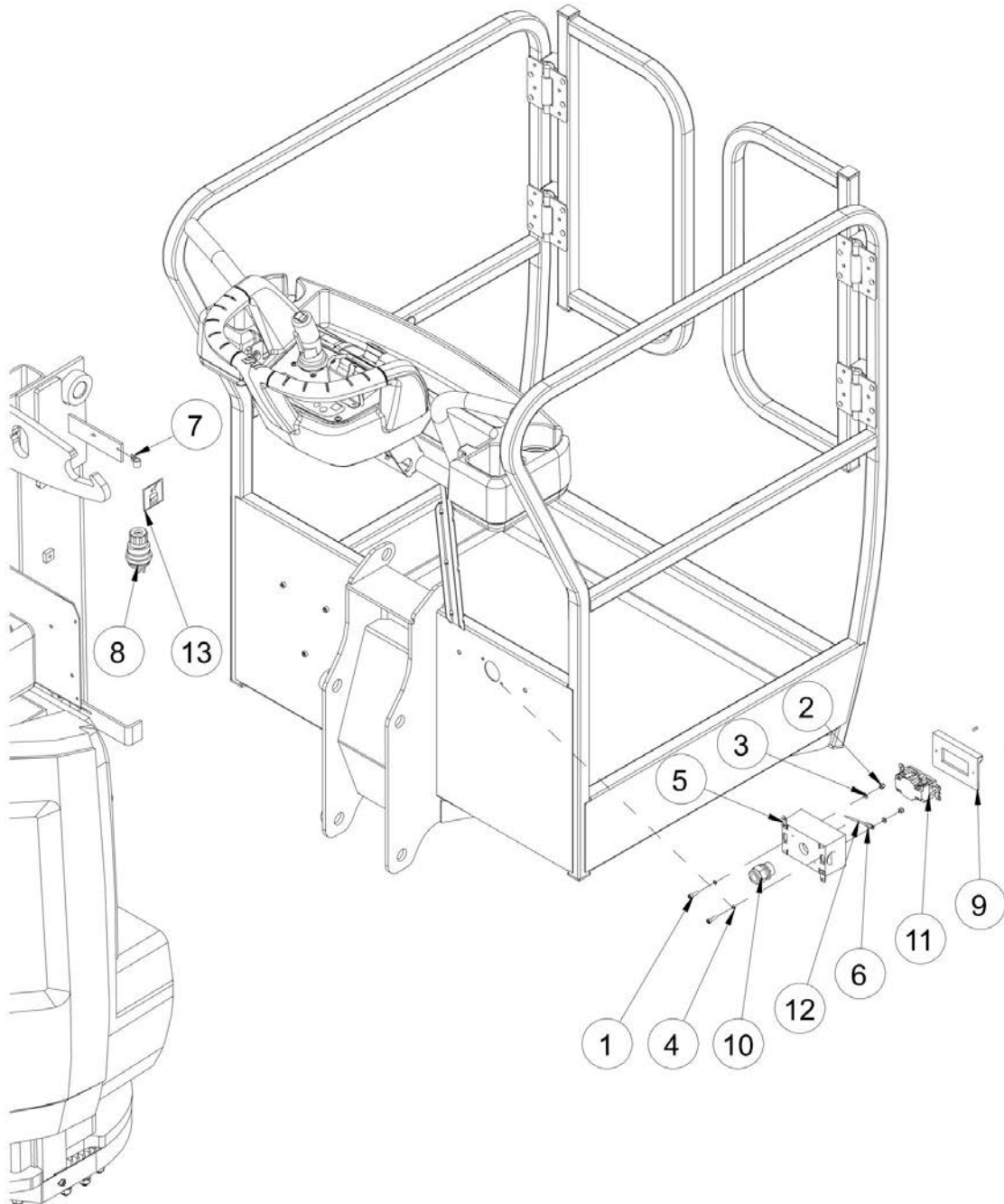
SECTION 10 - OPTIONS / OPTIONS

**FIGURE 10-5. 115V (IEC 60309-YELLOW) PLATFORM SOCKET INSTALL / INSTALLATION PRISE
PLATE-FORME 115V (CEI 60309-JAUNE)**

ITEM	PART NUMBER	QTY	DESCRIPTION	REV
	SA0028		INSTALL, PLATFORM 115V IEC SOCKET; INFO - SA0028 / INSTALLATION PRISE PANIER IEC 115V; INFO - SA0028	D
1	000003	2	M05x16 8.8 SOCKET HEAD MACH SCREW / VIS CHC M05x16 8.8 BI FT	
2	000005	2	M06x20 8.8 SOCKET HEAD MACH SCREW / VIS CHC M06x20 8.8 BI FT	
3	000010	1	M05x20 8.8 SOCKET HEAD MACH SCREW / VIS CHC M05x20 8.8 BI FT	C
4	000089	1	M05x08 8.8 SOCKET HEAD MACH SCREW / VIS CHC M05x08 8.8 BI FT	
5	110002	1	M05 GR08 LOCK NUT / ECROU FREIN M5 CL08 BI	
6	110003	2	M06 GR08 LOCK NUT / ECROU FREIN M6 CL08 BI	
7	1321293	1	CLAMP, INSULATED BAND / COLLIER ISOLE	
8	120002	2	M05 WASHER / RONDELLE M05 BI	
9	120009	2	dD 06x14 LOCK WASHER / RONDELLE CONTACT dD 06x14 BI	
10	120059	3	WASHER, D5 SERRATED LOCK / RONDELLE EVENTAIL D5	C
11	120060	2	WASHER, D6 SERRATED LOCK / RONDELLE EVENTAIL D6	C
12	210012	2	GLAND N°16 NUT / ECROU DE PRESSE ETOUPE N°16	
13	210021	2	GLAND N°16 / PRESSE ETOUPE N°16	
14	210066	1	M20 CABLE GLAND / PRESSE ETOUPE M20	
15	1001181045	1	CUTOUT 30 mA / DISJONCTEUR DIFFERENTIEL 30 mA	D
16	240093	1	CUTOUT BOX / BOITIER DISJONCTEUR	B
17	250071	1	INSULATED SOCKET TERMINAL Ø5 / COSSE CYLINDRIQUE FEM. ISOLEE Ø5	C
18	250090	1	M5 EYELET TERMINAL 1-2.5mm ² / COSSE A OEIL ISOLEE M5 - 1-2.5mm ²	
19	250091	1	M6 EYELET TERMINAL 1-2.5mm ² / COSSE A OEIL ISOLEE M6 - 1-2.5mm ²	
20	250135	1	TERMINAL BLOCK VICKING / BLOC DE JONCTION VICKING	B
21	260213	1	CONNECTOR 115VAC/16A IEC60309 / PRISE MALE 115VAC/16A CEI60309	
22	260258	1	115 VAC IEC60309 SURFACE SOCKET / PRISE FEMELLE FIXE 115VAC CEI60309	
23	270002	0.5	WIRE 2 mm ² Y/G (qty indicated in meter) / FIL 2 mm ² V/J (qté indiquée en mètre)	
24	AU1716	1	PLATFORM SOCKET DECAL / AUTOCOLLANT PRISE PANIER	
25	ST3212	1	PLATE, 115VAC SOCKET / PLATINE PRISE 115VAC	

SECTION 10 - OPTIONS / OPTIONS

FIGURE 10-6. 115V (GFI - US) PLATFORM SOCKET INSTALL / INSTALLATION PRISE PLATE-FORME
115V (GFI - US)



SECTION 10 - OPTIONS / OPTIONS

**FIGURE 10-6. 115V (GFI - US) PLATFORM SOCKET INSTALL / INSTALLATION PRISE PLATE-FORME
115V (GFI - US)**

ITEM	PART NUMBER	QTY	DESCRIPTION	REV
	SA0037		INSTALL, PLATFORM 115V GFI-US SOCKET; INFO - SA0037 / INSTALLATION PRISE PANIER 115V GFIUS; INFO - SA0037	B
1	000003	2	M05x16 8.8 SOCKET HEAD MACH SCREW / VIS CHC M05x16 8.8 BI FT	
2	110002	2	M05 GR08 LOCK NUT / ECROU FREIN M5 CL08 BI	
3	120002	2	M05 WASHER / RONDELLE M05 BI	
4	120059	2	WASHER, D5 SERRATED LOCK / RONDELLE EVENTAIL D5	B
5	230016	1	ELECTRICAL BOX / BOITIER ELECTRIQUE	
6	250090	1	M5 EYELET TERMINAL 1-2.5mm ² / COSSE A OEIL ISOLEE M5 - 1-2.5mm ²	B
7	1321293	1	CLAMP, INSULATED BAND / COLLIER ISOLE	
8	260276	1	US 125 VAC MALE CONNec. (=7364002824) / PRISE US 125VAC (=7364002824)	
9	4060700	1	CIRCUIT BREAKER COVER / COUVERCLE COUPE CIRCUIT	
10	4460071	1	CONNECTOR, WATER TIGHT / PRESSE ETOUPE	B
11	4460346	1	CIRCUIT BREAKER KIT / KIT COUPE CIRCUIT	
12	270002	0.2	WIRE 2 mm ² Y/G (qty indicated in meter) / FIL 2 mm ² V/J (qté indiquée en mètre)	B
13	AU1716	1	PLATFORM SOCKET DECAL / AUTOCOLLANT PRISE PANIER	

**SECTION 11 - RECOMMENDED PART LIST / LISTE DE PIÈCES
RECOMMANDÉES**

**SECTION 11 - RECOMMENDED PART LIST / LISTE DE PIÈCES
RECOMMANDÉES**

SECTION 11 - RECOMMENDED PART LIST / LISTE DE PIECES RECOMMANDEES

FIGURE 11-1. STANDARD PARTS / PIECES STANDARD

ITEM	PART NUMBER	QTY	DESCRIPTION	REV
	Note	Ref	The following list will service one Machine with emergency repair parts which can be installed in the field. Parts from the list should be replaced when inventory is depleted to keep service parts stock supplied. For further information, contact your JLG Industries Parts Department. / La liste suivante indique (pour une Machine) les pièces de réparation d'urgence qui peuvent être installées sur le terrain. La quantité de pièces de cette liste doit être tenue en stock minimum. Pour de plus amples informations, contactez votre SAV JLG Industries.	
		Ref	STANDARD PARTS / PIECES STANDARD	
	310103	1	BREATHER CAP / BOUCHON-RENIFLARD	
	3740150	1	RELAY, 24VDC/100A / RELAIS, 24VDC/100A	
	2860030	1	KEY (INCLUDED IN ITEM 4360469) / CLE (COMPRISE DANS REF 4360469)	
	1001091989	1	MEMBRANE SWITCHES / INTERUPTEURS A MEMBRANE	
	260079	1	325A FUSE / FUSIBLE 325A	
	930134	1	FILTER, CARTRIDGE,10µm / ELEMENT FILTRANT 10µm	
	7027367	1	SWITCH ENABLER / CONTACT VALIDATION	
	4360562	1	COMPLETE KNOB / ARRET D'URGENCE COMPLET	
	1001115919	1	SWITCH, PUSH BUTTON-ENABLE / B P DE VALIDATION	
	240056	1	NO CONTACT BASE / EMBASE CONTACT NO	
		Ref	VARIABLE PARTS / AUTRE PIECES	
	KT0150	1	10E KIT-DECAL AND PLATE AND SEAL - LCB / 10E KIT AU ET PLATINE ET JOINT BOITIER BAS (10E Prior to SN A300036845; SN A300090000 through A300091266, SN E300000000 through E300001504, SN 1300000000 through 1300007042)	
	KT0150	1	26E KIT-DECAL AND PLATE AND SEAL - LCB / 26E KIT AU ET PLATINE ET JOINT BOITIER BAS (Prior to SN A300053023)	
	SE1202	1	10E KIT-DECAL&PLATE&SEAL - LCB / 10E KIT AU&PLATINE&JOINT BOITIER BAS (SN A300036845 through A300037516)	
	SE1202	1	26E KIT(SERVICE),DECAL PLATE AND SEAL / 26E KIT AU&PLATINE&JOINT BOITIER BAS	
	260001	2	PRIOR JUNE 2011-NO/NC SWITCH / AVANT JUIN 2011-CAPTEUR NO/NC	
	260323	2	JUNE 2011 TO PRESENT-NO/NC SWITCH / DEPUIS JUIN 2011-CAPTEUR NO/NC	
	PC0478	1	SENSOR,TILT 1,9° / DETECTEUR DE DEVERS 1.9°	
	4000008	1	SENSOR,PROXIMITY ASSEMBLY / FAISCEAU DETECTEUR DE PROXIMITE	
	260326	3	NC/NO SWITCH / CAPTEUR NO/NF	
	260327	2	JUNE 2011 TO PRESENT-NO/NC SWITCH / DEPUIS JUIN 2011-CAPTEUR NO/NF	
	PC0468	1	HARNESS, LOAD SENSING SWITCH / FAISCEAU CAPTEUR DE SURCHARGE	
	4360505	1	ROTARY ANGLE SENSOR / CAPTEUR D'ANGLE	
	130064	4	D8 FAST-LEAD THREAD SCREW / VIS D8 PAS RAPIDE TETE LARGE	
	1001109503	1	GAUGE,INDICATOR / AFFICHEUR MULTIFONCTION	
	4360469	1	3 POSITION KEY SELECTOR / SELECTEUR A CLE 3 POSITIONS	

SECTION 11 - RECOMMENDED PART LIST / LISTE DE PIÈCES RECOMMANDÉES

ITEM	PART NUMBER	QTY	DESCRIPTION	REV
	1600458	1	JOYSTICK / JOYSTICK	
	1001100421	1	JOYSTICK SINGLE AXIS / JOYSTICK 1 AXE	
	1001109239	1	P/C BOARD WITH SOFTWARE / CARTE BOITIER HAUT RPROGRAMMEE	
	260318	2	CONTROLLER, COMBI-ACO / VARIATEUR COMBI-ACO	
	952099	6	COIL, 24VDC_3012599, HYDAC / BOBINE 24VDC_3012599, HYDAC	
	952101	1	COIL, 24VADC_3110057, HYDAC / BOBINE 24VADC_3110057, HYDAC	

**SECTION 11 - RECOMMENDED PART LIST / LISTE DE PIÈCES
RECOMMANDEES**

PART NUMBER INDEX

SECTION 11 - RECOMMENDED PART LIST / LISTE DE PIÈCES RECOMMANDEES

000003.....102, 123, 125	1001212355..... 107, 108, 109, 111	130062 12, 17, 18, 57	210066.....123
000005.....74, 121, 123	1001212356..... 106	130063 93, 99	230016.....125
000006.....51	1001215691 77	130064 11, 17, 128	2400060.....88
000007.....102	1001237382 75	1321293 ... 62, 66, 93, 99, 102, 123, 125	240056.....57, 128
000008.27, 51, 55, 62, 66	1001239741 67	140009 37, 42	240057.....21, 23, 57
000010... 13, 18, 117, 123	1001239742 67	140014 74	240058.....57
000014 11, 12, 17, 18, 37, 51, 55, 62, 66, 74, 115	1001248510 67	140024 74	240060.....21, 23, 57
000015 37, 62, 66, 74, 90, 93	1001248511 67	150002 42	240076.....21, 23, 57
000016.....62, 66, 119	1001248513 67	150004 27	240093.....121, 123
000017.....27, 62, 66, 117	100137 75	150007 47	250001.....117
000018.....11, 17	100156 11, 17, 74	150011 45	250010.....93, 99
000026.....67	1060688 95	150019 28	250026.....90, 117
000030.....62, 66	1060689 94, 95, 99	150052 51	250027.....90, 117
000043.....62, 66	110001 17, 121	150058 28	250030.....93, 99
000044.....62, 66, 119	110002 11, 12, 17, 18, 62, 66, 102, 123, 125	150059 27	250031.....74
000047.....37	110003 11, 17, 27, 45, 47, 51, 55, 62, 66, 74, 115, 121, 123	1580012 52, 55	250060.....88
000050.....102	110004 11, 17, 37, 42, 51, 62, 66, 119	160010 102	250071.....123
000051.....62, 66	110005 28	160018 74	250084.....90, 117
000067... 11, 17, 102, 117	110008 27	160031 37	250089.....121
000069.....117	110009 42	1600458 57, 129	250090.....123, 125
000073.....62	110010 42	170007 42	250091.....88, 121, 123
000077.....27	110015 75	170008 42	250135.....121, 123
000085.....121	110017 37	170009 42	250172.....89, 117
000089.....11, 123	110019 42	170010 42	250194.....94
000090.....51, 55	110020 42	1701499 ... 105, 106, 107, 108, 110	250211.....94, 99
000093.....57	110022 51	1701640 ... 105, 106, 107, 109, 110	250213.....94
0140011 57	110026 11, 17, 37, 62, 66, 119	1703785 ... 106, 107, 109	250227.....88
0630580.....28	110040 11, 17	1703811 ... 105, 106, 107, 108, 110	250228.....93, 99
0641406.....52, 55	110041 66, 75	1703814 ... 105, 106, 107, 108, 109	250229.....93, 99
0861784.....57	110042 75	1704016 ... 105, 106, 107, 109, 110	250230.....87
100004.....62, 66	120002. 62, 66, 102, 123, 125	1704023 110	260001.....86, 87, 128
100005.....93	120004 51, 55, 74	1704031 109, 110	260006.....117
100007.....37	120006 42	1704277 ... 105, 107, 108, 109, 110	260007.....117
100009.....27	120009 11, 12, 17, 18, 28, 37, 51, 55, 62, 66, 74, 90, 115, 119, 121, 123	1704885 ... 106, 107, 108, 110	260016.....86
100013. 27, 37, 45, 47, 55	120010 11, 17, 42, 62, 66, 119	1705514 108	2600281.....55
100016.....37	120011 11, 17, 74	1705781 105	260029.....121
100021.....12, 18	120017 42	1705803 105	260077.....74
100027. 11, 17, 62, 66, 75	120018 51	1706493 105	260079.....128
100038.....37	120024 51, 55, 93, 99, 102, 121	1706740 ... 105, 107, 108, 109, 110	260115.....74
100051.....62	120033 12, 18	1706764 105	260144.....117
100053.....27	120036 42	1706898 57	260146.....117
100054.....51	120042 11	180003 28	260187.....121
100063.....42	120043 117	180009 11, 17	260213.....123
100098.....28	120054 12, 18, 27, 37	190027 37	260214.....121
100102.....27	120055 28	190072 11, 17	260229.....87
100103.....27, 37	120056 102	190074 11, 17	260240.....21, 23
100104.....28	120057 11, 17	190077 75	260243.....21, 23
100109 1102 17	120058 121	2080040 55	260258.....123
100109 1989.....57, 128	120059 123, 125	210011 121	260259.....93
100110042157, 129	120060 74, 121, 123	210012 121, 123	260260.....93
100110923958, 129	130007 62, 66	210018 86, 87	260274.....90
1001109503 ... 21, 23, 128	130021 11, 17	210019 121	260275.....86
100111175237	130059 21, 23	210021 121, 123	260276.....125
100111211193		210059 86	260318.....27, 129
100111446628		210062 86, 87	260321.....86
100111591958, 128			260323.....86, 87, 128
100111717758			260326.....86, 128
100115532858			260327.....86, 128
1001181045 121, 123			260329.....87
1001187631 18			270002..... 121, 123, 125
100119240188			270031.....117
1001210948 12, 18			270059.....90
			2780266.....27, 31
			280001.....93, 99

SECTION 11 - RECOMMENDED PART LIST / LISTE DE PIÈCES RECOMMANDEES

280002 93, 99	4460466 89	930137 81	AU2096 105, 107, 108,
280023 51	4460496 57	930138 77	109, 110
2860030 21, 23, 128	4460497 57	950033 97	AU2097 105, 106, 108,
290066 12, 18	4460536 86, 87, 89, 90	950038 97	109, 110
300001 27	4460539 87, 88, 89	950039 97	AU2098 105, 106, 107,
300025 77	4460648 93, 99	950040 97	108, 110
300034 81	4460754 89	950041 97	AU2099 105, 106, 108,
300040 77	4460871 87	950044 97	109, 110
300047 77	4460873 87	950047 97	AU2100 105
300061 74	4460884 86, 88	950052 97	AU2101 106, 107, 108,
300101 77	4460891 88, 89, 90	950058 97	109, 110
300161 119	4460894 ... 87, 88, 93, 94,	950059 97	AU2102 105
300172 37	99	950214 97	AU2103 105
310091 77	4460897 86, 87, 89, 90	950215 97	AU2104 105, 106, 108,
310103 77, 128	4460899 88, 89, 94	950216 97	109, 110
320067 37	4460917 86, 87	950222 97	AU2105 105, 106, 107,
3340962 55	4460928 88, 89	950223 97	109, 110
3575796 57	4460930 88	950224 97	AU2106 105
3740150 74, 128	4460931 88	950225 97	AU2107 105
3820019 57	4460932 89	950226 97	AU2108 105
3820037 55, 62, 66	4460933 87	950227 97	AU2109 105
3900357 57	4460943 89	950228 97	AU2116 106, 107, 108,
3900358 57	4460944 87, 89	951034 77	110
3900359 57	4460970 89	951035 33	AU2117 106, 107, 108
3900364 57	4461076 86	951036 33	AU2118 106, 107, 108
3960617 57	4461077 89	951037 33	AU2119 106, 107, 108
4000007 86	4461196 95	951038 33	AU2120 106, 107, 109
4000008 86, 102, 128	4461199 95, 99	951039 33	AU2121 106
400010 62, 66	4461249 94, 99	951040 33	AU2122 106, 107, 108,
400011 62, 66, 119	4751400 52, 55	951041 33	110
400012 62, 66, 93	4761400 52, 55	951043 33	AU2140 108
400015 74	500021 37	952094 77	AU2141 108
400018 62, 66	510076 99	952095 77	AU2142 107
400034 117	510086 28, 33, 87	952096 77	AU2143 108
400046 62, 66	510088 93	952097 77	AU2144 108
400047 62, 66, 119	520114 74, 77	952098 77	AU2145 108
400048 51, 52	520115 74, 79	952099 77, 79, 81, 129	AU2146 108
400057 11, 17	520116 74, 81	952100 77	AU2147 109
400059 97	70000084 57	952101 77, 129	AU2148 109, 110
400065 97	70000682 57	952102 79, 81	AU2149 109
400077 37, 117	70022816 57	952103 81	AU2150 109, 110
400086 97	7010641 31	952104 79	AU2151 110
400092 62, 66	7010642 31	952105 81	AU2152 110
400093 93	7012524 31	952106 79	AU2153 110
400096 62, 66	7019697 31	952107 79, 81	AU2154 110
400097 37	7026183 31	952108 77	AU2155 110
400099 55	7026184 31	952157 81	AU2206 107, 108, 109,
400100 66	7026185 31	960075 27	110
4060700 125	7027365 57	960095 42	AU2207 21, 23
4071095 55	7027367 57, 128	960096 42	AU2209 106, 107, 108,
4220309 55	7027765 57	960097 42	109, 110
4240147 28	7027766 57	960098 42	AU2213 105, 107, 108,
4340871 57	8229242 88	960099 27	109, 110
4360469 21, 23, 128	8990147 51, 55	970065 77	AU2215 75, 106, 107,
4360505 86, 102, 128	920002 63, 67	AU0149 105, 106, 107,	108, 109, 110
4360562 57, 128	920008 63, 67	109, 110	AU2228 106, 107, 108,
4460071 125	920042 63, 67	AU1423 105, 106, 108,	109, 110
4460226 88, 94	920045 63, 67	109, 110	AU2229 106, 107, 108,
4460227 94	920046 63, 67	AU1716 121, 123, 125	109, 110
4460320 88, 94	920052 62, 66	AU1825 105	DF0269 71
4460346 125	920073 63, 67	AU2082 21, 23	DF0710 71
4460464 ... 86, 87, 88, 89,	930109 37	AU2088 58	DF0975 71
90, 94	930134 77, 128	AU2095 105, 106, 107,	DF0976 71
4460465 ... 86, 87, 88, 89,	930135 77	108, 109	DF0977 71
90, 93, 94, 99	930136 77		DF0978 119

SECTION 11 - RECOMMENDED PART LIST / LISTE DE PIÈCES RECOMMANDEES

DL0813.....28	PC0484.....90	SD0453.....45	ST3219.....63, 67
DL0814.....38	PC0485.....87	SD0464.....102	ST3220.....63, 67
DL0817.....58	PC0486.....88	SE0495.....42	ST3221.....63, 67
DL0818.....42	PC0487.....89	SE0730.....42, 45	ST3226.....102
DL0819.....27	PC0488.....89	SE0731.....42, 47	ST3227.....102
DL0821.....42	PC0489.....90	SE0923.....51, 55, 57	ST3228.....42
DL0823.....11, 17	PC0490.....90	SE0924.....12, 18, 21, 23	ST3229.....42
DL0824.....42	PC0491.....90	SE0925.....90	ST3230.....74
DL0825.....51	PC0492.....93	SE0926.....74	ST3231.....74
DL0826.....51	PC0493.....93, 99	SE0927.....74	ST3232.....74
DL0827.....42	PC0494.....94, 99	SE1139.....102	ST3234.....51, 55
DL0828.....62, 66	PC0495.....94, 99	SE1140.....102	ST3235.....12, 18
DL0829.....42	PC0496.....95	SE1141.....102	ST3246.....37
DL0830.....42	PC0499.....86, 102	SE1200.....18, 21, 23	ST3299.....51
DL0831.....12, 18	PC0512.....93	SE1201.....52, 55, 57	ST3312.....58
DL0832.....12	PC0534.....13, 18, 87	SE1202.....21, 23, 128	ST3315.....11, 18
DL0833.....12	PC0602.....87	ST0099.....42	ST3316.....12, 18
DL0834.....52	PC0603.....89	ST0120.....42	ST3318.....75
DL0837.....37	PC0605.....94	ST0178.....42	ST3319.....12, 18
DL0838.....37	PC0606.....58	ST0179.....42	ST3321.....27
DL0853.....12	SA0001.....27	ST0736.....51	ST3332.....27
DL0854.....12	SA0002.....27	ST0763.....51	ST3333.....42
DL0855.....12, 18	SA0003.....37	ST0838.....62, 66	ST3334.....42
DL0856.....28	SA0004.....37	ST1326.....63, 67	ST3598.....13, 18
DL0861.....55	SA0005.....42	ST1328.....63, 67	ST3673.....58
DL0862.....55	SA0006.....51	ST1969.....119	ST3674.....58
DL0911.....75	SA0007.....51	ST2475.....37	ST3696.....18
FX158-014.....117	SA0009.....28	ST2713.....13	ST3697.....18
FX209-001.....99	SA0011.....37	ST2719.....93	ST3703.....74
FX209-002.....99	SA0012.....102	ST2725.....99	ST3775.....21, 23
FX209-004.....99	SA0013.....28	ST2741.....51, 55	ST3790.....17
KT0143.....71	SA0014.....87	ST3010.....63, 67	US0026.....42
KT0150.....21, 23, 128	SA0015.....51, 55	ST3022.....115	US0134.....27
OP509.....115	SA0016.....12, 18	ST3112.....37	US0190.....28, 37
OP510.....119	SA0017.....12, 18	ST3114.....11, 17	US0204.....102
OP516.....117	SA0018.....11	ST3115.....11, 17	US0208.....102
PA1086.....105	SA0019.....52	ST3116.....11, 17	US0216.....27
PA1146.....105	SA0020.....52, 55	ST3117.....11	US0236.....51
PA1147.....106	SA0021.....12, 18	ST3118.....12	US0375.....47
PA1148.....107	SA0023.....93	ST3119.....21, 23	US0377.....45
PA1149.....108	SA0024.....93	ST3143.....58	US0475.....45
PA1151.....109	SA0026.....121	ST3155.....21, 23	US0479.....47
PA1161.....105	SA0027.....121	ST3158.....27	US0481.....43
PC0463.....58	SA0028.....123	ST3164.....37	US0523.....27
PC0464.....58	SA0029.....28	ST3168.....27	US0524.....37
PC0465.....21, 23	SA0030.....28	ST3169.....37	US0527.....37
PC0466.....86, 115	SA0031.....12, 18	ST3170.....12, 17	US0528.....27
PC0468.....86, 102, 128	SA0032.....27	ST3171.....12, 17	US0529.....27
PC0469.....86	SA0033.....102	ST3172.....12, 17	US0530.....27
PC0470.....86, 102	SA0034.....28	ST3173.....12, 17, 74	US0531.....27, 51
PC0477.....13, 87	SA0035.....11, 17	ST3174.....12, 17	US0532.....28
PC0478.....28, 87, 128	SA0036.....55	ST3175.....12, 17	US0534.....51
PC0479.....90	SA0037.....125	ST3176.....12, 17	US0537.....43
PC0480.....90	SA0038.....28	ST3177.....12, 18	US0538.....43
PC0481.....90	SA0039.....28	ST3212.....123	
PC0482.....90	SD0345.....102	ST3215.....74	
PC0483.....90	SD0452.....47	ST3216.....63, 67	



31210091



An Oshkosh Corporation Company

JLG Industries, Inc.
1 JLG Drive
McConnellsburg PA. 17233-9533
USA
Phone: +1-717-485-5161
Customer Support Toll Free: 1-877-554-5438
Fax: +1-717-485-6417

JLG Worldwide Locations

JLG Industries (Australia)
P.O. Box 5119
11 Bolwarra Road
Port Macquarie
N.S.W. 2444
Australia
Phone: +61 2 65 811111
Fax: +61 2 65 813058

JLG Latino Americana Ltda.
Rua Antonia Martins Luiz, 580
Distrito Industrial João Narezzi
13347-404 Indaiaatuda-SP
Brazil
Phone: +55 19 3935 2767
Fax: +55 19 3935 2312

JLG Industries (UK) Ltd
Bentley House, Bentley Avenue
Middleton
Greater Manchester
M24 2GP
England
Phone: +44 161 654 1000
Fax: +44 161 654 1001

JLG France SAS
Z.I. Guillaume Mon amy
CS 30204
47400 FAUILLET
France
Phone: +33 (0) 553 883 170
Fax: +33 (0) 553 883 179

JLG Deutschland GmbH
Max Planck Strasse 21
D-27721 Ritterhude/Ihlpohl
Germany
Phone: +49 (0) 421 69 350 20
Fax: +49 (0) 421 69 350 45

JLG Equipment Services Ltd
Rm 1107 Landmark North
39 Lung Sum Avenue
Sheung Shui N.T.
Hong Kong
Phone: +852 2639 5783
Fax: +852 2639 5797

JLG Industries (Italia)
Via Po. 22
20010 Pregnana Milanese - MI
Italy
Phone: +39 02 9359 5210
Fax: +39 02 9359 5845

JLG Europe B.V.
Polaris Avenue 62
2132 JH Hoofddorp
Netherlands
Phone: (31) 23 565 5665
Fax: (31) 23 557 2493

JLG Polska
Ul. Krolewska
00-060 Warszawa
Poland
Phone: +48 (0) 91 4320 245
Fax: +48 (0) 91 4358 200

JLG Industries (Scotland)
Wright Business Centre,
1 Lonmay Road
Queenslie
Glasgow G33 4EL
Scotland
Phone: +44 141 781 6700
Fax: +44 141 773 1907

Plataformas Elevadoras
JLG Iberica, S.L.
Trapadella, 2
P.I. Castellbisbal Sur
08755Castellbisbal, Barcelona
Spain
Phone: +34 93 77 24700
Fax: +34 93 77 11762

JLG Sverige AB
Enkopingsvagen 152
Box 704
SE - 176 27 Jarfalla
Sweden
Phone: (46) 8 506 59500
Fax: (46) 8 506 59534

www.jlg.com