



Illustrated Parts Manual Manuel de pièces détachées

MODEL / MODELE

TOUCAN 10E S/N A300037517 THROUGH/A A300059930
+ A300037483

TOUCAN 26E S/N A300058360 THROUGH/A A300059930
+ A300058272

AS/NZL



31210230

September 17, 2019
REV B



An Oshkosh Corporation Company

FOREWORD

April 18, 2016 ----- Original issue of Manual
January 29, 2019 ----- Revised Manual - Update swing track, Add soft touch
September 17,2019 ----- B - Revised Manual - Add 26E Model

TABLE OF CONTENTS

SECTION 1 - COVERS INSTALL / INSTALLATION CAPOTS	7
FIGURE 1-1. HOODS INSTALL / INSTALLATION CAPOTS	8
SECTION 2 - FRAME INSTALL / INSTALLATION CHASSIS	13
FIGURE 2-1. FRAME INSTALL / INSTALLATION CHASSIS	14
FIGURE 2-2. STEERING WHEEL HUB / MOYEU ROUE DIRECTRICE	18
FIGURE 2-3. KTY-DRIVE GEAR MOTOR / KTY-MOTOREDUCTEUR DE ROUE (10E Prior to SN A300040174; 26E Prior to SN A300058030)	20
FIGURE 2-4. PT1000-DRIVE GEAR MOTOR / PT1000-MOTOREDUCTEUR DE ROUE (10E SN A300040174 to Present; 26E SN A300058030 to Present)	22
SECTION 3 - MAST 1 INSTALL / INSTALLATION MAT 1	25
FIGURE 3-1. MAST 1 INSTALL / INSTALLATION MAT 1	26
FIGURE 3-2. MTB INSTALL / INSTALLATION COMMANDES BASSES	30
FIGURE 3-3. GROUND CONTROL PANEL WITH ENABLE / BOITIER BAS AVEC VALIDATION (Prior to SN A300040347)	32
FIGURE 3-4. GROUND CONTROL PANEL W/O ENABLE / BOITIER BAS SANS VALIDATION (SN A300040347 to Present) ..	34
SECTION 4 - MAST AND BOOM INSTALL / INSTALLATION MATS ET BRAS	37
FIGURE 4-1. MAST AND BOOM INSTALL / INSTALLATION MAT ET BRAS	38
FIGURE 4-2. PULLEY SUPPORT LL10-44 / SUPPORT POULIE LL10-44	42
FIGURE 4-3. PULLEY SUPPORT LL12-66 / SUPPORT POULIE LL12-66	44
SECTION 5 - PLATFORM INSTALL / INSTALLATION PLATE-FORME	47
FIGURE 5-1. PLATFORM SUPPORT INSTALL / INSTALLATION SUPPORT PLATE-FORME	48
FIGURE 5-2. PLATFORM,DROP BAR INSTALL / INSTALLATION PLATE-FORME - LISSE COULISSANTE	50
FIGURE 5-3. 26E-PLATFORM,SALOON GATES / 26E-INSTALLATION PLATE-FORME - PORTE SALOON	52
FIGURE 5-4. CONSOLE AND CONTAINER INSTALL / INSTALLATION BOITIER DE COMMANDE ET BOITE A OUTILS	54
FIGURE 5-5. PLATFORM CONSOLE ASSEMBLY / BOITIER HAUT	56
FIGURE 5-6. TOP RAIL UPPER CONTROLS PROTECTION / PROTECTION CONTROLES HAUT	60
SECTION 6 - POWER TRACKS AND CLAMPS INSTALL / INSTALLATION CHAINES PORTE CABLES	63
FIGURE 6-1. POWER TRACKS AND CLAMPS INSTALL / INSTALLATION CHAINES PORTE CABLES	64
SECTION 7 - HYDRAULIC INSTALL / INSTALLATION HYDRAULIQUE	69
FIGURE 7-1. HOSES KIT DIAGRAM / SCHEMA KIT FLEXIBLES	70
FIGURE 7-2. CONTROL VALVES INSTALL / INSTALLATION DISTRIBUTEURS	72
FIGURE 7-3. TANK AND PUMP INSTALL / INSTALLATION GROUPE HYDRAULIQUE	76
FIGURE 7-4. PUMP-MOTOR-TANK ASSEMBLY / GROUPE HYDRAULIQUE	78
FIGURE 7-5. VALVE ASSY,MAST CYLINDER / ASSEMBLAGE DISTRIBUTEUR VERIN MAT	80
FIGURE 7-6. VALVE ASSY,JIB CYLINDER / ASSEMBLAGE DISTRIBUTEUR VERIN BRAS (Prior to SN A300040285)	82
FIGURE 7-7. VALVE ASSY,JIB CYLINDER / ASSEMBLAGE DISTRIBUTEUR VERIN BRAS (SN A300040285 to Present)	84
SECTION 8 - ELECTRICAL SYSTEM INSTALL / INSTALLATION ELECTRIQUE	87
FIGURE 8-1. CABLES AND SWITCHES INSTALL DIAGRAM / DIAGRAMME D'INSTALLATION CABLES ET CAPTEURS	88
FIGURE 8-2. KIT,POWER CABLES / KIT CABLES DE PUISSANCE	94
FIGURE 8-3. BATTERY AND CHARGER INSTALL / INSTALLATION BATTERIES ET CHARGEUR	96
FIGURE 8-4. SWITCHES AND COVERS INSTALL / INSTALLATION CAPTEURS	98
SECTION 9 - DECALS INSTALL / INSTALLATION AUTOCOLLANTS	101
FIGURE 9-1. DECALS ALL PRODUCTS / INSTALLATION TOUT PRODUIT	102
FIGURE 9-2. DECAL,EAC (RUSSIA,CIS) INSTALL / INSTALLATION AUTOCOLLANT EAC (RUSSIA,CIS)	112
SECTION 10 - OPTIONS / OPTIONS	115
FIGURE 10-1. MOTION ALARM INSTALL / INSTALLATION ALARME DE MOUVEMENT	116
FIGURE 10-2. AIRLINE 5/16" INSTALL / INSTALLATION AIR COMPRISE 5/16"	118
FIGURE 10-3. WORKING LIGHT INSTALL / INSTALLATION PHARE DE TRAVAIL	120
FIGURE 10-4. 230V PLATFORM SOCKET INSTALL / INSTALLATION PRISE PLATE-FORME 230V	122

TABLE OF CONTENTS

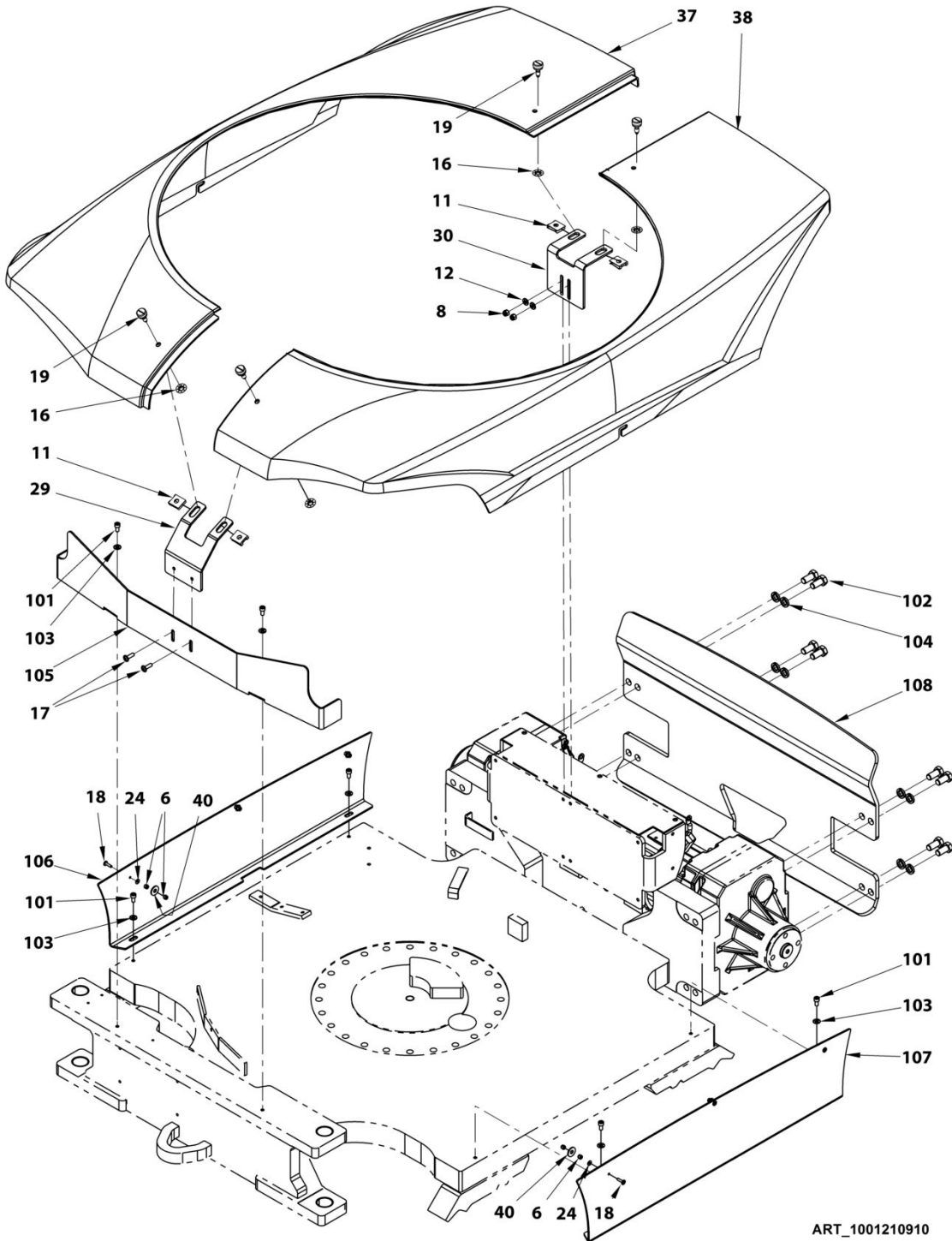
FIGURE 10-5. 115V IEC PLATFORM SOCKET INSTALL / INSTALLATION PRISE PLATE-FORME 115V EIC.....	124
FIGURE 10-6. PLATFORM 115V GFI-US SOCKET INSTALL / INSTALLATION PRISE PLATE-FORME 115V GFI-US	126
FIGURE 10-7. INSTALL, PLATFORM OBSTACLE DETECTION / INSTALLATION DETECTION OBSTACLE.....	128
FIGURE 10-8. UCB PROTECTION INSTALL / INSTALLATION PROTECTION BOITIER HAUT	130
FIGURE 10-9. SKYLINE INSTALL / INSTALLATION SKYLINE	132
FIGURE 10-10. SKYLINE BEACON INSTALL / INSTALLATION FEU BLEU SKYLINE	134
SECTION 11 - RECOMMENDED PARTS LIST / LISTE DE PIECES RECOMMANDEES.....	137
FIGURE 11-1. RECOMMENDED PARTS LIST / LISTE DE PIECES RECOMMANDEES	138
PART NUMBER INDEX.....	141

SECTION 1 - COVERS INSTALL / INSTALLATION CAPOTS

SECTION 1 - COVERS INSTALL / INSTALLATION CAPOTS

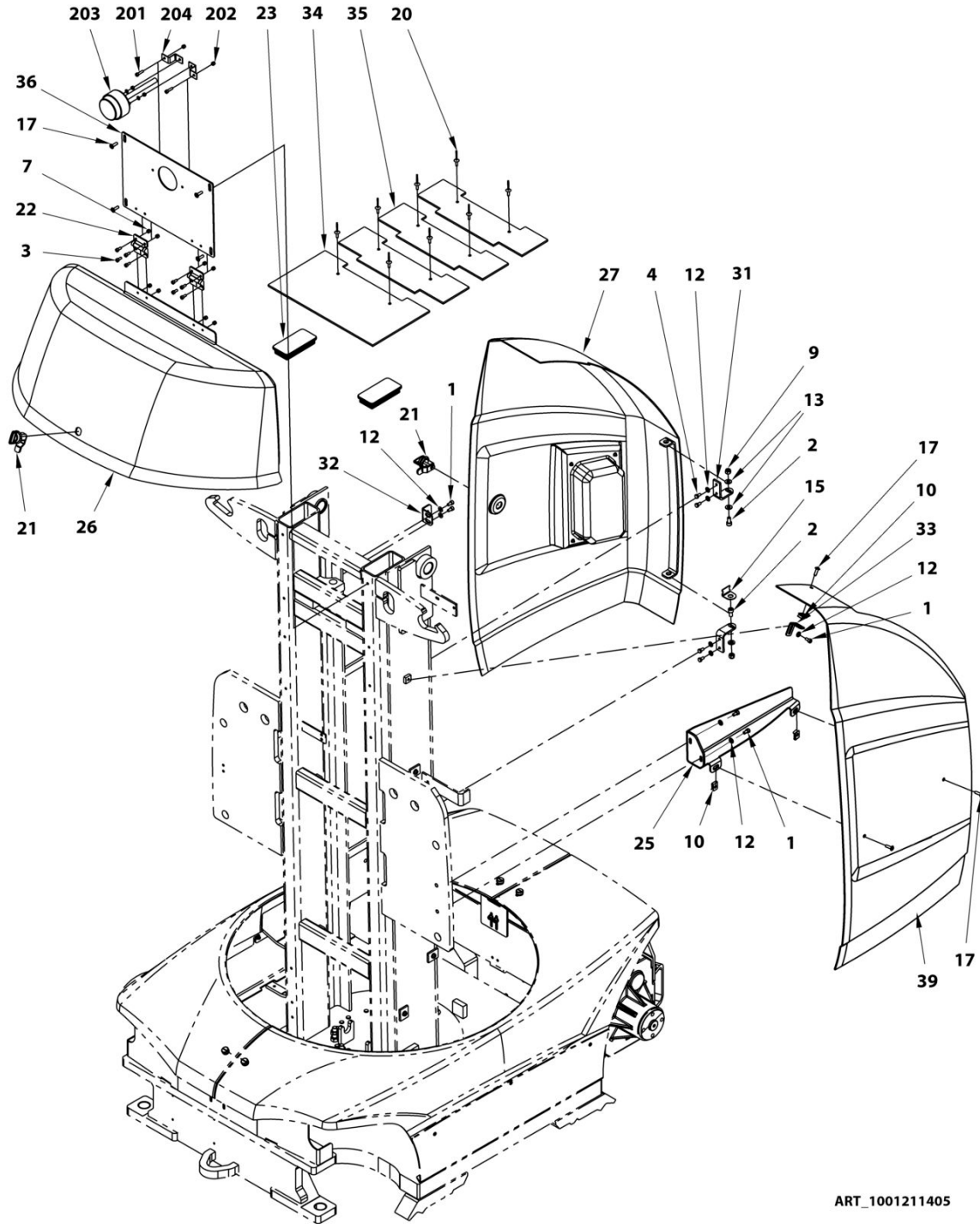
SECTION 1 - COVERS INSTALL / INSTALLATION CAPOTS

FIGURE 1-1. HOODS INSTALL / INSTALLATION CAPOTS



ART_1001210910

SECTION 1 - COVERS INSTALL / INSTALLATION CAPOTS



SECTION 1 - COVERS INSTALL / INSTALLATION CAPOTS

FIGURE 1-1. HOODS INSTALL / INSTALLATION CAPOTS

ITEM	PART NUMBER	QTY	DESCRIPTION	REV
	1001211405	Ref	HOODS INSTALL / INSTALLATION CAPOTS	D
1	000014	5	M06x12 8.8 SOCKET HEAD MACH SCREW / VIS CHC M06x12 8.8 BI FT	
2	000018	2	M08x16 8.8 SOCKET HEAD MACH SCREW / VIS CHC M08x16 8.8 BI FT	
3	000067	8	M05x12 8.8 SOCKET HEAD MACH SCREW / VIS CHC M05x12 8.8 BI FT	
4	100027	4	M06x12 8.8 HEX HEAD MACHINE SCREW / VIS H M06x12 8.8 BI FT	
6	110001	12	M04 GR. 8.8 LOCK NUT / ECROU FREIN M4 CL08 BI	
7	110002	8	M05 GR. 8.8 LOCK NUT / ECROU FREIN M5 CL08 BI	
8	110003	2	M06 GR. 8.8 LOCK NUT / ECROU FREIN M6 CL08 BI	
9	110004	2	M08 GR. 8.8 LOCK NUT / ECROU FREIN M8 CL08 BI	
10	110026	3	M06 CAGE HEX NUT / ECROU CAGE M06	
11	110040	4	D8 CAGE HEX NUT / ECROU CAGE D8	
12	120009	11	LOCK WASHER D06x14 / RONDELLE CONTACT dD 06x14 BI	
13	120010	3	LOCK WASHER D08x18 / RONDELLE CONTACT dD 08x18 BI	
15	ST3790	1	PLATE,CLIP / SUPPORT CABLE	
16	120057	4	D8 RETAINING WASHER / RONDELLE DE RETENUE D8	
17	130021	9	M06x20 8.8 ROUND HEAD MACH SCREW / VIS BOMBEE ULF M06x20 8.8 BI FT	
18	130062	6	M04x16 8.8 ROUND HEAD MACH SCREW / VIS BOMBEE ULF M04x16 8.8 BI FT	
19	130064	4	D8 FAST-LEAD THREAD SCREW / VIS D8 PAS RAPIDE TETE LARGE	
20	180009	8	Ø5x16 LARGE HEAD POP RIVET / RIVET POP TETE LARGE D5x16	
21	190072	2	COMPRESSION LATCH / LOQUET A COMPRESSION	
22	190074	2	FRICTION HINGE / CHARNIERE A FRICTION	
23	400057	2	CAP / EMBOUT NOIR	
24	120056	6	dD 04x08 LOCK WASHER / RONDELLE CONTACT dD 04x08 BI	
25	DL0937	1	SUPPORT,LEFT HOOD / SUPPORT CAPOT GAUCHE	
26	ST3114	1	HOOD, BATTERY / CAPOT BATTERIE	
27	ST3115	1	HOOD, MAST RIGHT / CAPOT MAT DROIT	
29	ST3170	1	SUPPORT,FRONT HOODS / SUPPORT AVANT CAPOT	
30	ST3171	1	SUPPORT,REAR HOODS / SUPPORT ARRIERE CAPOT	
31	ST3172	2	BRACKET,HOOD SUPPORT / EQUERRE SUPPORT CAPOT DROIT	
32	ST3173	1	PLATE,LATCH BRACKET / EQUERRE VERROU	
33	ST3174	1	BRACKET,HOOD SUPPORT / EQUERRE SUPPORT CAPOT GAUCHE	
34	ST3175	1	CAP,MAST TOP / COUVRE MAT	
35	ST3176	3	CAP,MAST TOP / COUVRE MAT	
36	ST3177	1	PLATE,MAST 1 TOP PANEL / OBTURATEUR MAT 1	
37	ST3315	1	HOOD,FRAME RIGHT / CAPOT CHASSIS DROIT (Prior to SN A300040161)	
37	1001248814	1	HOOD,FRAME RIGHT / CAPOT CHASSIS DROIT (SN A300040161 to Present)	
38	ST3316	1	HOODS, FRAME LEFT / CAPOT CHASSIS GAUCHE (Prior to SN A300040161)	
38	1001248815	1	HOODS, FRAME LEFT / CAPOT CHASSIS GAUCHE (SN A300040161 to Present)	
39	ST3856	1	HOOD,MAST LEFT / CAPOT MAT GAUCHE	

SECTION 1 - COVERS INSTALL / INSTALLATION CAPOTS

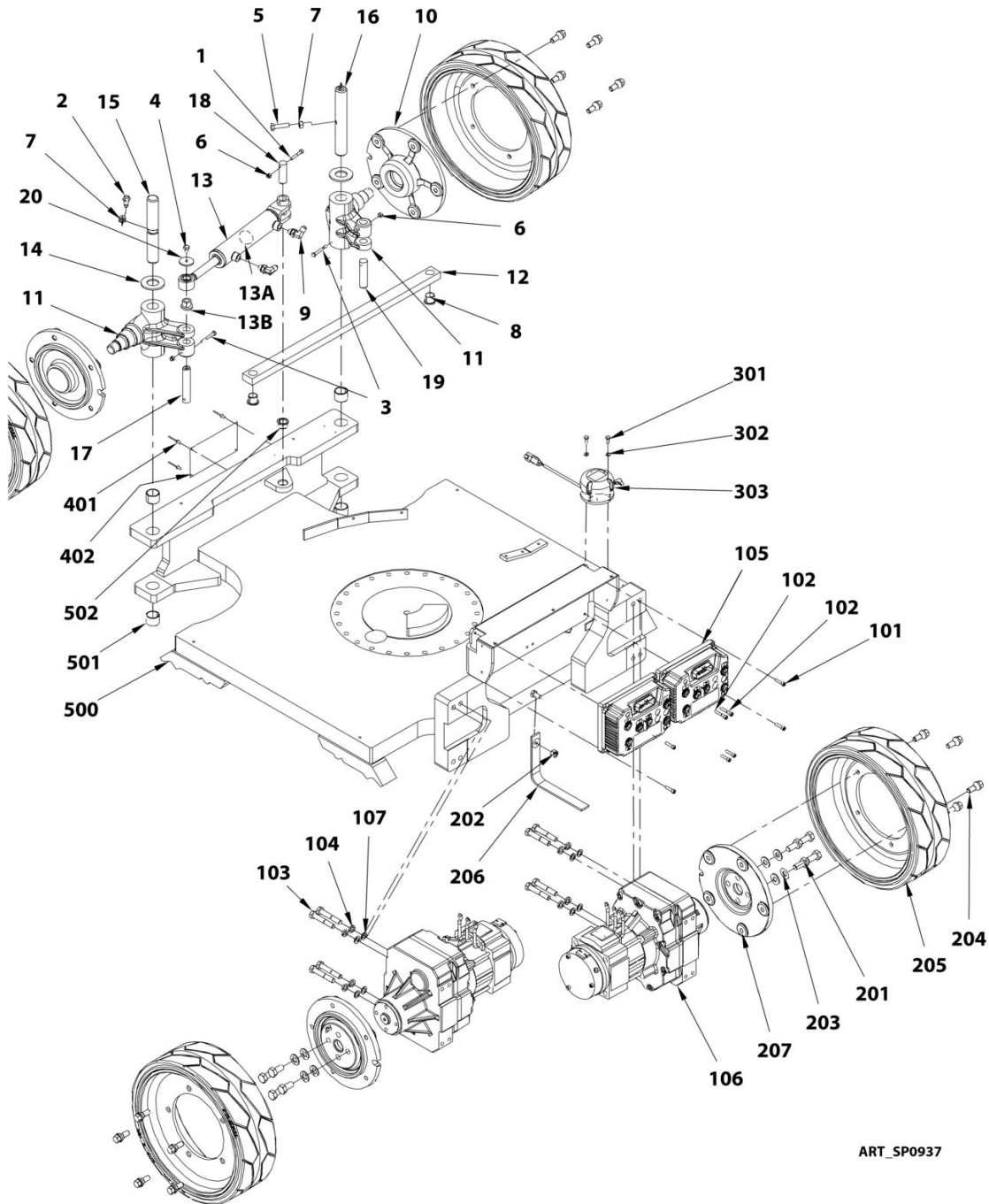
ITEM	PART NUMBER	QTY	DESCRIPTION	REV
40	120004	6	dD 06x25x1.2 WASHER / RONDELLE dD 06x25x1.2 BI	
	1001210910	Ref	FRAME SHIELDS INSTALL / INSTALLATION TOLES DE CHASSIS	
101	000014	6	M06x12 8.8 SOCKET HEAD MACH SCREW / VIS CHC M06x12 8.8 BI FT	
102	100021	8	M12x25 8.8 HEX HEAD MACHINE SCREW / VIS H M12x25 8.8 BI FT	
103	120009	6	LOCK WASHER D06x14 / RONDELLE CONTACT dD 06x14 BI	
104	120054	8	HELICAL SPRING LOCK WASHER Ø12 / RONDELLE GROWER D12 BI	
105	ST3235	1	SHIELD,FRONT FRAME / CARTER AVANT CHASSIS	
106	ST3696	1	PLATE,FRAME RIGHT SHIELD / CARTER DROIT CHASSIS	
107	ST3697	1	PLATE,FRAME LEFT SHIELD / CARTER GAUCHE CHASSIS	
108	ST3841	1	PLATE,REAR FRAME SHIELD / TOLE ARRIERE CHASSIS	
	SA0021	Ref	BEACON INSTALL / INSTALLATION FEU A ECLATS	B
201	000010	2	M05x20 8.8 SOCKET HEAD MACH SCREW / VIS CHC M05x20 8.8 BI FT	
202	110002	2	M05 GR. 8.8 LOCK NUT / ECROU FREIN M5 CL08 BI	
203	PC0534	1	HARNESS,BEACON / FAISCEAU FEU A ECLATS	
204	ST3598	2	BRACKET,BEACON SUPPORT / CRAPAUD	

SECTION 2 - FRAME INSTALL / INSTALLATION CHASSIS

SECTION 2 - FRAME INSTALL / INSTALLATION CHASSIS

SECTION 2 - FRAME INSTALL / INSTALLATION CHASSIS

FIGURE 2-1. FRAME INSTALL / INSTALLATION CHASSIS



ART_SP0937

SECTION 2 - FRAME INSTALL / INSTALLATION CHASSIS

FIGURE 2-1. FRAME INSTALL / INSTALLATION CHASSIS

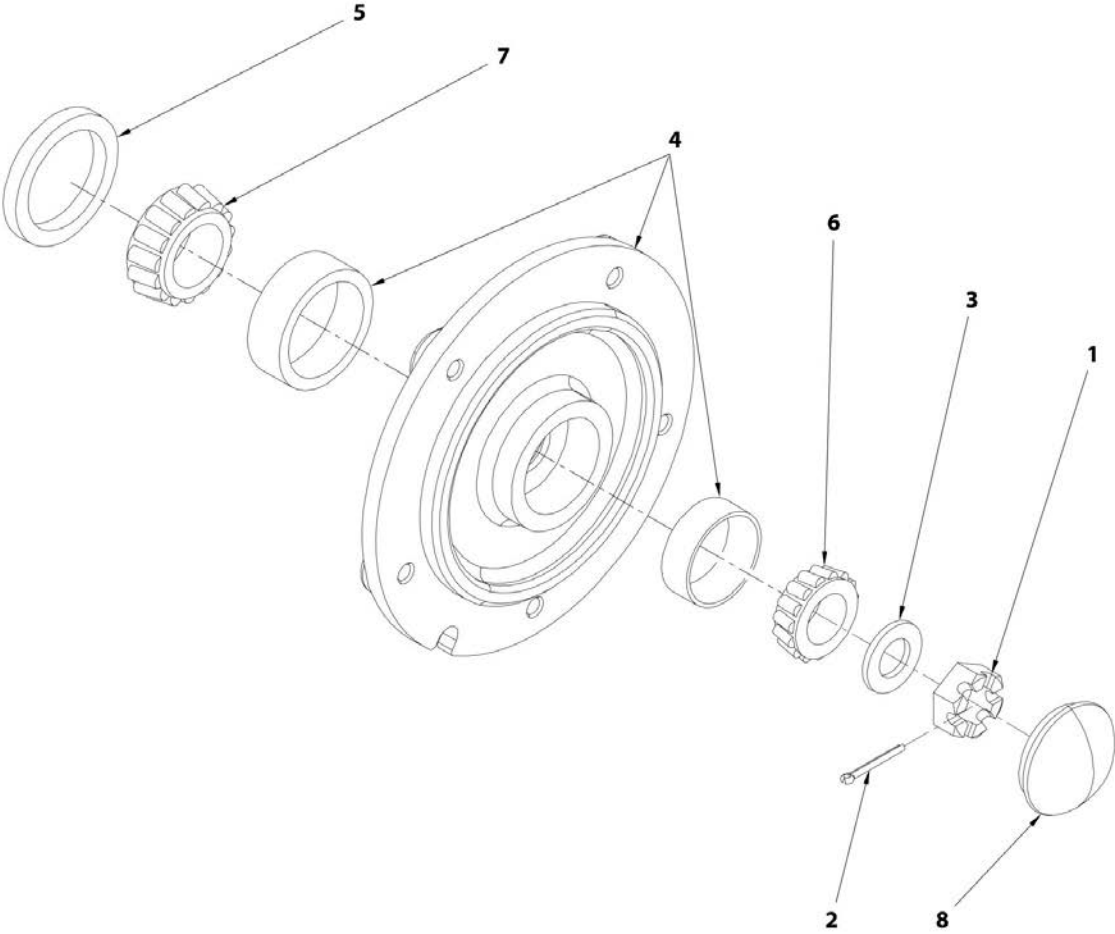
ITEM	PART NUMBER	QTY	DESCRIPTION	REV
	SA0002	Ref	STEER INSTALL / INSTALLATION DIRECTION	C
1	000017	1	M06x40 8.8 SOCKET HEAD MACH SCREW / VIS CHC M06x40 8.8 BI FT	
2	100009	1	M10x30 8.8 HEX HEAD MACHINE SCREW / VIS H M10x30 8.8 BI FT	
3	100013	2	M06x50 8.8 HEX HEAD CAPSCREW / VIS H M06x50 8.8 BI FP	
4	100053	1	M08x12 8.8 HEX HEAD MACHINE SCREW / VIS H M08x12 8.8 BI FT	
5	100102	1	M10x40 8.8 HEX HEAD MACHINE SCREW / VIS H M10x40 8.8 BI FT	
6	110003	3	M06 GR08 LOCK NUT / ECROU FREIN M6 CL08 BI	
7	110008	2	M10 GR08 HEX NUT / ECROU H M10 CL08 BI	
8	150059	2	FLANGE BUSHING Ø20 H21.5 DU / BAGUE EPAULEE Ø20 H21.5 DU	
9	300001	2	90° ELBOW MALE BSPP 1/4-MALE JIC 9/16 / COUDE 90° Mâle BSPP 1/4 -Mâle JIC 9/16	
10	2780266	2	STEERING WHEEL HUB / MOYEU ROUE DIRECTRICE	
11	DL0819	2	SPINDLE / PIVOT DE DIRECTION	
12	ST3158	1	LINK, STEERING / BIELLETTE DE DIRECTION	
13	ST3332	1	STEERING CYLINDER / VERIN DE DIRECTION	
13A	960099	1	SEAL KIT / KIT DE JOINTS	
13B	150004	2	FLANGE BUSHING Ø20 H11.5 DU / BAGUE EPAULEE Ø20 H11.5 DU	
14	US0134	2	THRUST WASHER / RONDELLE D'APPUI	
15	US0216	1	SPINDLE PIN / AXE DE FUSEE	
16	US0523	1	PIN, ROTARY ANGLE SENSOR / AXE DIRECTION POUR CAPTEUR D'ANGLE	
17	US0528	1	PIN, ARTICULATION D20-104 / AXE D20-104	
18	US0529	1	PIN, ARTICULATION D20-60 / AXE D20-60	
19	US0530	1	PIN, ARTICULATION D20-80 / AXE D20-80	
20	US0531	1	WASHER, ID8xOD37xTH3 / RONDELLE Di 8xDe 37xEP 3	
	SA0001	Ref	WHEEL DRIVE INSTALL / INSTALLATION TRANSLATION	B
101	000008	6	M06x25 8.8 SOCKET HEAD MACH SCREW / VIS CHC M06x25 8.8 BI FT	
102	000077	2	M06x35 8.8 SOCKET HEAD CAPSCREW / VIS CHC M06x35 8.8 BI FP	
103	100103	8	M12x70 10.9 HEX HEAD CAPSCREW / VIS H M12x70 10.9 BR FP	
104	120054	8	HELICAL SPRING LOCK WASHER Ø12 / RONDELLE GROWER Ø12 BI	
105	260318	2	CONTROLLER, COMBI-ACO / VARIATEUR COMBI-ACO (10E Prior to SN A300040100; 26E Prior to SN A300057657)	
105	1001241322	1	CONTROLLER, COMBI-ACO / VARIATEUR COMBI-ACO (10E SN A300040100 to Present; 26E SN A300057657 to Present)	
106	510086	2	KTY-DRIVE GEAR MOTOR / KTY-MOTOREDUCTEUR DE ROUE (10E Prior to SN A300040174; 26E Prior to SN A300058030)	
106	1001245202	1	PT1000-DRIVE GEAR MOTOR / PT1000-MOTOREDUCTEUR DE ROUE (10E SN A300040174 to Present; 26E SN A300058030 to Present)	

SECTION 2 - FRAME INSTALL / INSTALLATION CHASSIS

ITEM	PART NUMBER	QTY	DESCRIPTION	REV
107	US0190	8	dDH 13x20x02 HARDENED WASHER / RONDELLE TRAITEE dDH 13x20x02	
	SA0009	Ref	TIRES AND WHEEL INSTALL / INSTALLATION ROUES	C
201	100104	8	M14x1.5x30 10.9 HEX HEAD Mach SCREW / VIS H M14X1.5x30 10.9 BI FT	
202	110005	1	M10 GR08 LOCK NUT / ECROU FREIN M10 CL08 BI	
203	120055	8	dD 14x30 LOCK WASHER BI / RONDELLE CONTACT dD 14x30 BI	
204	0630580	20	BOLT, WHEEL M12x1.5 / GOUJON DE ROUE M12x1.5	
205	1001114466	4	WHEEL/TIRE 125x406 NON-MARKING / ROUE NON MARQUANTE 125x406	
206	4240147	1	STRAP, ANTI-STATIC 13" / TRESSE ANTI-STATIQUE 13"	
207	US0532	2	HUB, DRIVE / MOYEU ARRIERE	
	1001211358	Ref	2.5° TILT SWITCH INSTALL / INSTALLATION DEVERS 2.5°	
301	100098	2	M06x16 8.8 HEX HEAD MACHINE SCREW / VIS H M06x16 8.8 BI FT	
302	120009	2	dD 06x14 LOCK WASHER / RONDELLE CONTACT dD 06x14 BI	
303	1001213835	1	SENSOR,TILT 2.5° / DETECTEUR DE DEVERS 2.5°	
	SA0144	Ref	SERIAL NUMBER TAG INSTALL EU / INSTALLATION PLAQUE CONSTRUCTEUR CE	B
	1001213632	1	SERIAL NUMBER TAG INSTALL AS-NZL / INSTALLATION PLAQUE CONSTRUCTEUR AS-NZL	C
	1001223689	1	SERIAL NUMBER TAG INSTALL ANSI-CSA / INSTALLATION PLAQUE CONSTRUCTEUR ANSI-CSA	
401	180003	4	Ø5x10 POP RIVET / RIVET POP Ø5x10	
402		Ref	MANUFACTURER'S NAME PLATE / PLAQUE CONSTRUCTEUR	
500	DL0921	1	FRAME WELDMENT / CHASSIS	
501	150019	4	BUSHING Ø30 H25 DU / BAGUE Ø30 H25 DU	
502	150058	1	FLANGE BUSHING Ø20 H16.5 / BAGUE EPAULEE Ø20 H16.5	

SECTION 2 - FRAME INSTALL / INSTALLATION CHASSIS

FIGURE 2-2. STEERING WHEEL HUB / MOYEU ROUE DIRECTRICE



ART_2780266

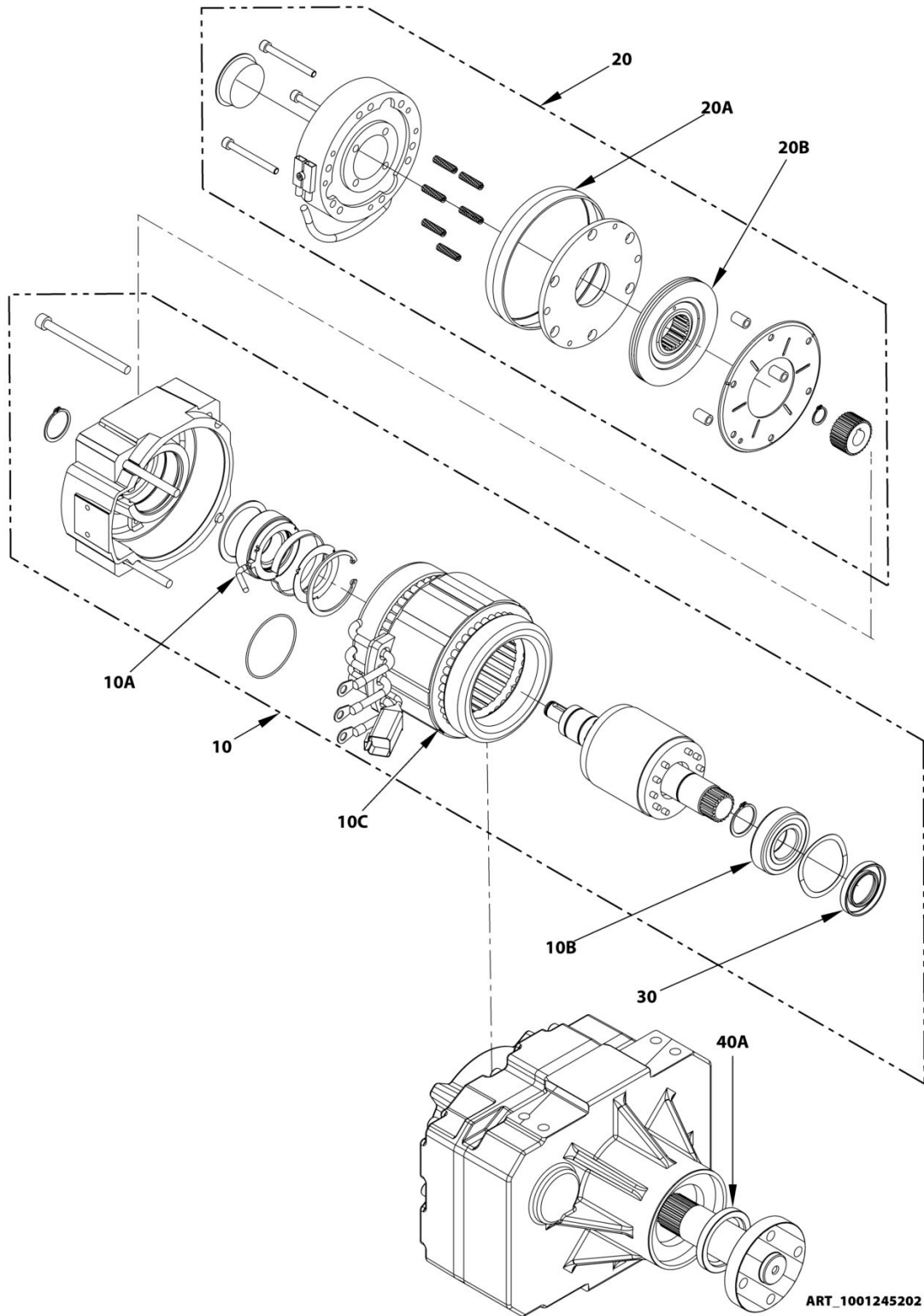
SECTION 2 - FRAME INSTALL / INSTALLATION CHASSIS

FIGURE 2-2. STEERING WHEEL HUB / MOYEU ROUE DIRECTRICE

ITEM	PART NUMBER	QTY	DESCRIPTION	REV
	2780266		HUB, STEERING WHEEL / MOYEU ROUE DIRECTRICE	E
1	3300423	1	NUT,SLOTTED / ECROU A ENCOCHE	
2	3450406	1	PIN, COTTER 2" x 3/16" / GOUPILLE FENDUE 2" x 3/16"	
3	4740468	1	WASHER / RONDELLE	
4	1001102189	1	HUB,REAR (ASSY) / KIT MOYEU	
5	1001102349	1	SEAL,GREASE / JOINT GRAISSE	
6	1001102351	1	BEARING CONE INNER / ROULEMENT CONIQUE INTERIEUR	
7	1001102353	1	BEARING CONE OUTER / ROULEMENT CONIQUE EXTERIEUR	
8	1001102354	1	CAP,GREASE / BOUCHON GRAISSE	

SECTION 2 - FRAME INSTALL / INSTALLATION CHASSIS

FIGURE 2-3. KTY-DRIVE GEAR MOTOR / KTY-MOTOREDUCTEUR DE ROUE (10E Prior to SN A300040174; 26E Prior to SN A300058030)



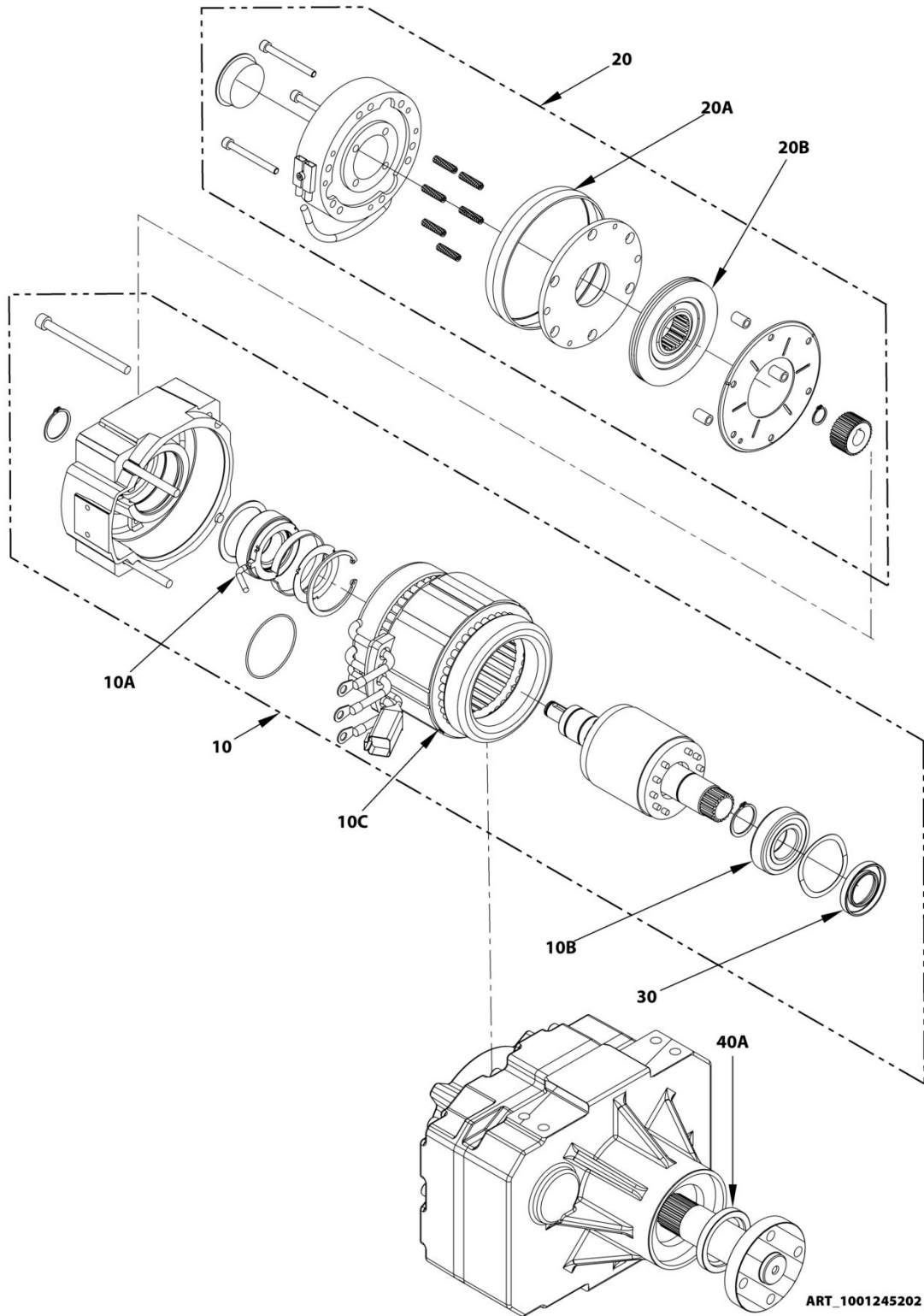
SECTION 2 - FRAME INSTALL / INSTALLATION CHASSIS

FIGURE 2-3. KTY-DRIVE GEAR MOTOR / KTY-MOTOREDUCTEUR DE ROUE (10E Prior to SN A300040174; 26E Prior to SN A300058030)

ITEM	PART NUMBER	QTY	DESCRIPTION	REV
	510086		DRIVE GEAR MOTOR / MOTOREDUCTEUR DE ROUE (10E Prior to SN A300040174; 26E Prior to SN A300058030)	I
10	951035	1	ELECTRIC MOTOR / MOTEUR ELECTRIQUE	
10A	951039	1	ENCODER BEARING KIT / KIT ROULEMENT CODEUR	
10B	951041	1	BEARING 6206ZC3/HTF / ROULEMENT 6206ZC3/HTF	
10C	951043	1	STATOR / STATOR	
20	951036	1	COMPLETE BRAKE KIT / FREIN COMPLET	
20A	951037	1	RING, DUST PROTECTION / JOINT ANTI-POUSSIERE	
20B	951038	1	DISC, FRICTION / DISQUE DE FREIN	
30	951040	1	GASKET WDR 30x52x7 / JOINT A LEVRE WDR 30x52x7	
40A	1001233406	1	SEAL,RADIAL 45X62X8 / JOINT A LEVRE 45X62X8	

SECTION 2 - FRAME INSTALL / INSTALLATION CHASSIS

FIGURE 2-4. PT1000-DRIVE GEAR MOTOR / PT1000-MOTOREDUCTEUR DE ROUE (10E SN A300040174 to Present; 26E SN A300058030 to Present)



SECTION 2 - FRAME INSTALL / INSTALLATION CHASSIS

FIGURE 2-4. PT1000-DRIVE GEAR MOTOR / PT1000-MOTOREDUCTEUR DE ROUE (10E SN A300040174 to Present; 26E SN A300058030 to Present)

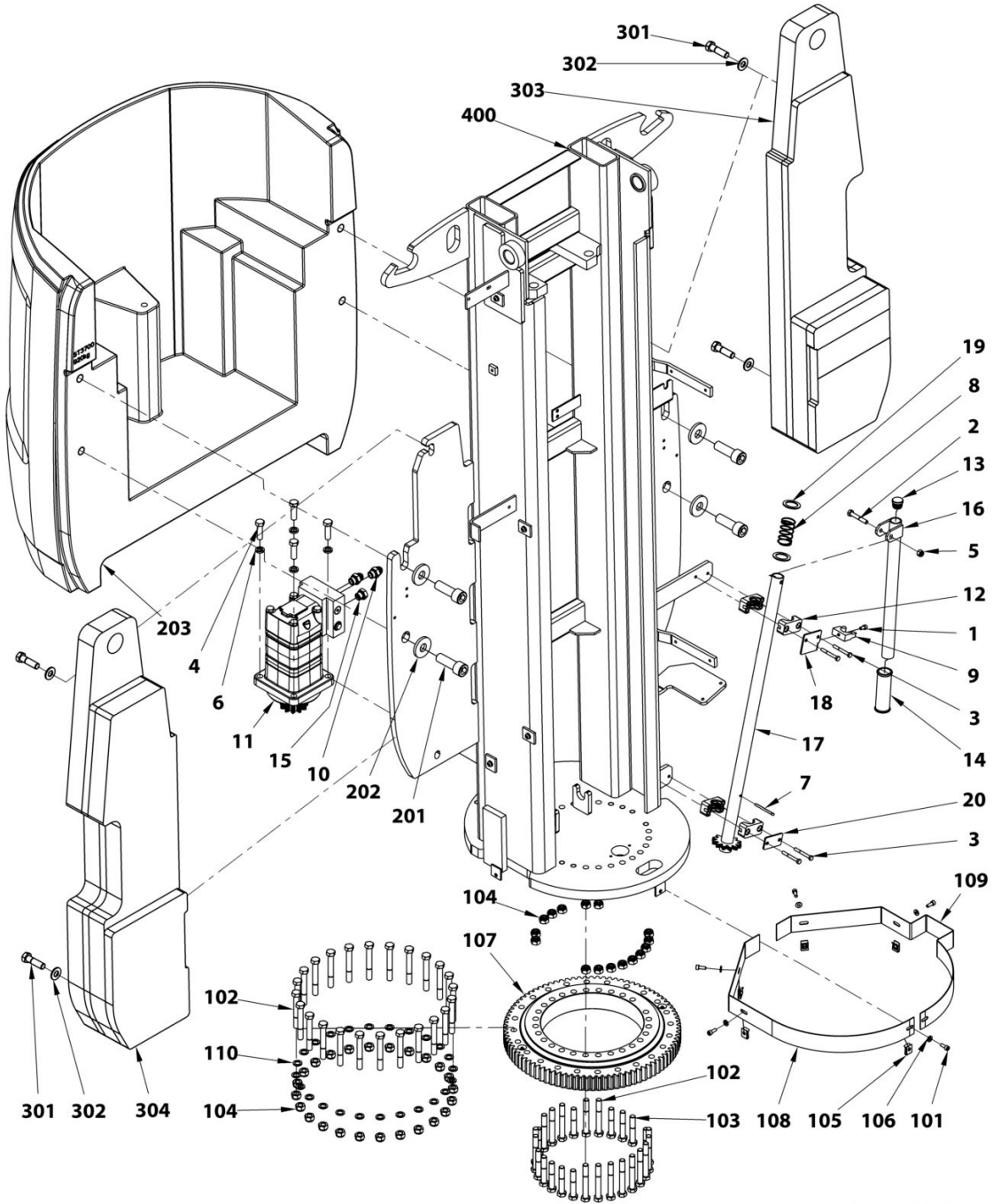
ITEM	PART NUMBER	QTY	DESCRIPTION	REV
	1001245202	1	PT1000-DRIVE GEAR MOTOR / PT1000-MOTOREDUCTEUR DE ROUE (10E SN A300040174 to Present; 26E SN A300058030 to Present)	B
10	1001246577	1	PT1000-ELECTRIC MOTOR / PT1000-MOTEUR ELECTRIQUE	
10A	951039	1	ENCODER BEARING KIT / KIT ROULEMENT CODEUR	
10B	951041	1	BEARING 6206ZC3/HTF / ROULEMENT 6206ZC3/HTF	
10C	1001246578	1	PT1000-STATOR / PT1000-STATOR	
20	951036	1	COMPLETE BRAKE KIT / FREIN COMPLET	
20A	951037	1	RING, DUST PROTECTION / JOINT ANTI-POUSSIERE	
20B	951038	1	DISC, FRICTION / DISQUE DE FREIN	
30	951040	1	GASKET WDR 30x52x7 / JOINT A LEVRE WDR 30x52x7	
40A	1001233406	1	SEAL,RADIAL 45X62X8 / JOINT A LEVRE 45X62X8	

SECTION 3 - MAST 1 INSTALL / INSTALLATION MAT 1

SECTION 3 - MAST 1 INSTALL / INSTALLATION MAT 1

SECTION 3 - MAST 1 INSTALL / INSTALLATION MAT 1

FIGURE 3-1. MAST 1 INSTALL / INSTALLATION MAT 1



ART_SP0938_C

SECTION 3 - MAST 1 INSTALL / INSTALLATION MAT 1

FIGURE 3-1. MAST 1 INSTALL / INSTALLATION MAT 1

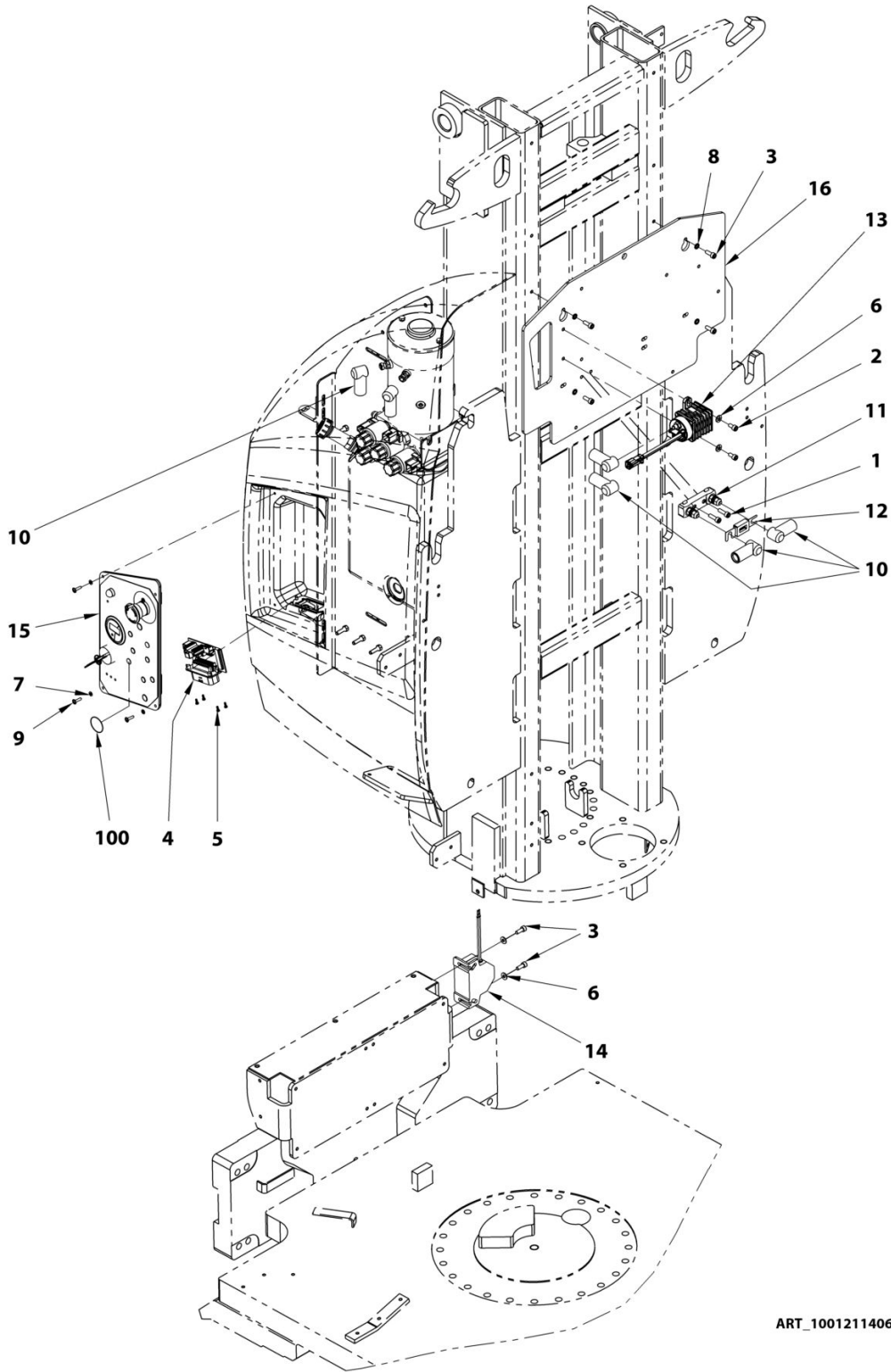
ITEM	PART NUMBER	QTY	DESCRIPTION	REV
	SA0004	Ref	SWING DRIVE INSTALL / INSTALLATION ORIENTATION	C
1	000014	1	M06x12 8.8 SOCKET HEAD MACH SCREW / VIS CHC M06x12 8.8 BI FT	
2	100007	1	M08x50 8.8 HEX HEAD CAPSCREW / VIS H M08x50 8.8 BI FP	
3	100013	4	M06x50 8.8 HEX HEAD CAPSCREW / VIS H M06x50 8.8 BI FP	
4	100016	4	M12x40 8.8 HEX HEAD MACHINE SCREW / VIS H M12x40 8.8 BI FT	
5	110004	1	M08 GR08 LOCK NUT / ECROU FREIN M8 CL08 BI	
6	120054	4	HELICAL SPRING LOCK WASHER Ø12 / RONDELLE GROWER Ø12 BI	
7	140009	1	Ø4.5x50 COTTER PIN / GOUPILLE FENDUE Ø4.5x50	
8	160031	1	C 320 180 1350 I SPRING / RESSORT C 320 180 1350 I	
9	190027	1	Ø22 CLIP / CLIP Ø22	
10	300172	2	ADAPTATOR 3/8 BSPP - O-RING / RACCORD 3/8 BSPP - JOINT TORIQUE	
11	320067	1	HYD. MOTOR, SWING DRIVE / MOTEUR D'ORIENTATION	
12	400077	2	CLAMP, SINGLE D30 / COLLIER D30	
13	400097	1	CAP, D25 / BOUCHON D25	
14	930109	1	PUMP HANDLE RUBBER / CAOUTCHOUC POIGNEE POMPE	
15	100111752	1	CAP 3/8 BSPP - O-RING / BOUCHON 3/8 BSPP - JOINT TORIQUE	
16	DL0837	1	LEVER, MANUAL SLEWING / LEVIER D'ORIENTATION MANUELLE	
17	DL0838	1	PINION / PIGNON ARBRE	
18	ST3246	1	PLATE, LEVER LOCK / PLATINE BLOCAGE LEVIER	
19	US0524	2	WASHER, ID28xOD40xTH2 / RONDELLE Di 28xDe 40xEP 2	
20	US0527	1	PLATE, CLAMP COVER / BRIDE DE COLLIER	
	SA0003	Ref	TURNTABLE BEARING INSTALL / INSTALLATION COURONNE D'ORIENTATION	A
101	000015	5	M06x16 8.8 SOCKET HEAD MACH SCREW / VIS CHC M06x16 8.8 BI FT	
102	100038	40	M12x90 10.9 HEX HEAD CAPSCREW / VIS H M12x90 10.9 BR FP	
103	100103	11	M12x70 10.9 HEX HEAD CAPSCREW / VIS H M12x70 10.9 BR FP	
104	110017	40	M12 GR10 LOCK NUT / ECROU FREIN H M12 CL10 BI	
105	110026	5	M06 CAGE HEX NUT / ECROU CAGE M06	
106	120009	5	dD 06x14 LOCK WASHER / RONDELLE CONTACT dD 06x14 BI	
107	500021	1	SLEWING RING / COURONNE D'ORIENTATION	
108	ST3164	1	COVER, SLEWING RING, LEFT / CARTER COURONNE GAUCHE	
109	ST3169	1	COVER, SLEWING RING, RIGHT / CARTER COURONNE DROIT	
110	US0190	24	dDH 13x20x02 HARDENED WASHER / RONDELLE TRAITEE dDH 13x20x02	
	1001211410	Ref	10E-COUNTERWEIGHT 920KG INSTALL / 10E-INSTALLATION CONTREPOIDS 920KG	C
	1001223609	Ref	26E-COUNTERWEIGHT 1060KG INSTALL / 26E-INSTALLATION CONTREPOIDS 1060KG	B
201	1001227894	4	M20x60 8.8 HEX HEAD MACH. SCREW / VIS H 20x60 8.8 BI FT	
202	ST2475	4	COUNTERWEIGHT WASHER / RONDELLE DE CONTREPOIDS	
203	ST3700	1	10E-COUNTERWEIGHT / 10E-CONTREPOIDS	
203	1001223892	1	26E-COUNTERWEIGHT / 26E-CONTREPOIDS	

SECTION 3 - MAST 1 INSTALL / INSTALLATION MAT 1

ITEM	PART NUMBER	QTY	DESCRIPTION	REV
	1001211417	Ref	ADDITIONAL COUNTERWEIGHTS INSTALL / INSTALLATION CONTREPOIDS ADDITIONNELS	B
301	100033	4	M14x50 8.8 HEX HEAD CAPSCREW / VIS H M14x50 8.8 BR FP	
302	120055	4	dD 14x30 LOCK WASHER BI / RONDELLE CONTACT dD 14x30 BI	
303	1001213144	1	WEIGHT,ADDITIONAL CW,RIGHT / CONTREPOIDS ADDITIONNEL DROIT	
304	1001213145	1	WEIGHT,ADDITIONAL CW,LEFT / CONTREPOIDS ADDITIONNEL GAUCHE	
400	DL0934	1	MAST,TURNTABLE / MAT 1	

SECTION 3 - MAST 1 INSTALL / INSTALLATION MAT 1

FIGURE 3-2. MTB INSTALL / INSTALLATION COMMANDES BASSES



ART_1001211406

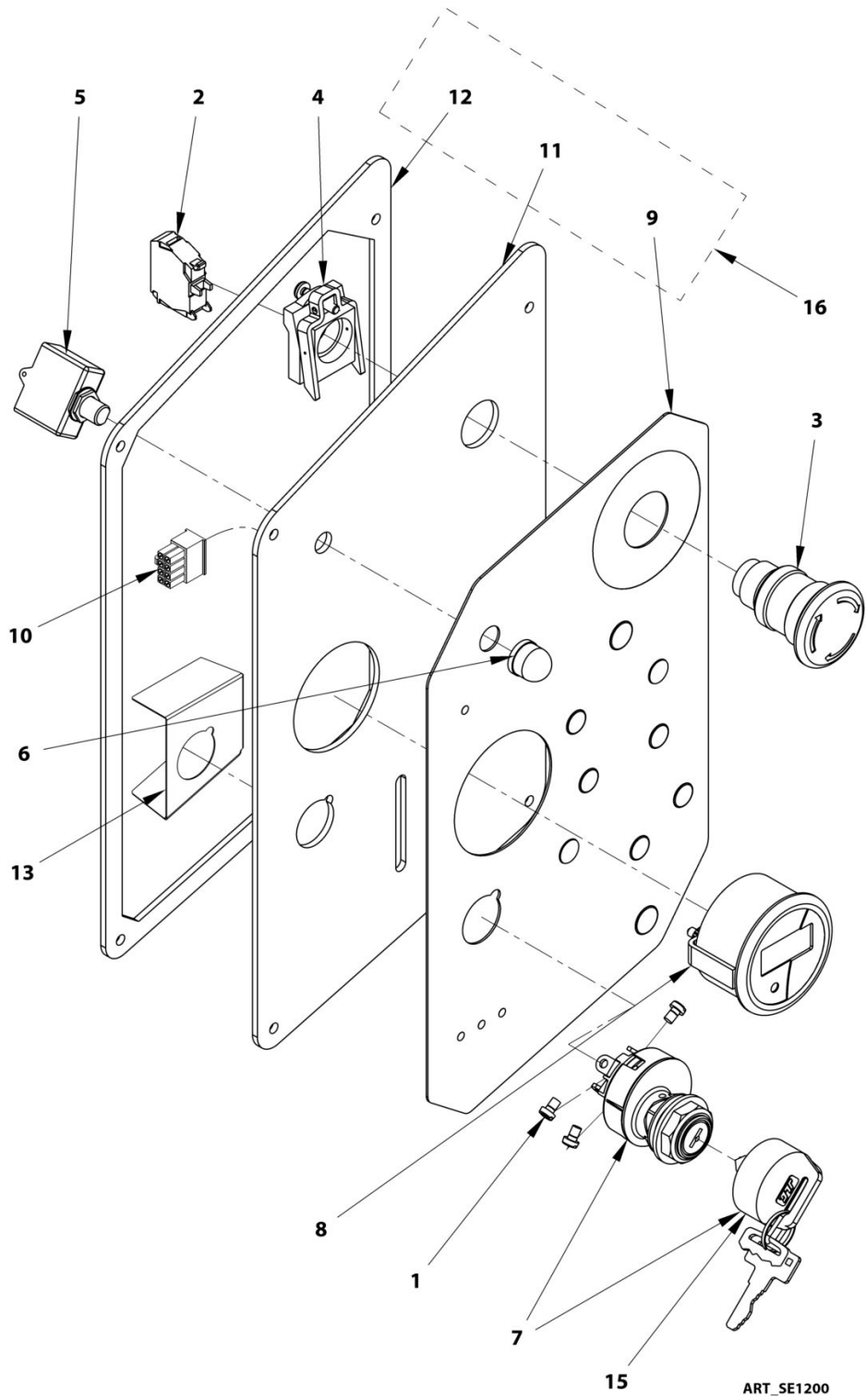
SECTION 3 - MAST 1 INSTALL / INSTALLATION MAT 1

FIGURE 3-2. MTB INSTALL / INSTALLATION COMMANDES BASSES

ITEM	PART NUMBER	QTY	DESCRIPTION	REV
	1001211406	Ref	MTB INSTALL / INSTALLATION COMMANDES BASSES	B
	1001223605	Ref	INSTALL,MTB (W/O MSSO) / INSTALLATION COMMANDES BASSES SANS MSSO	B
1	000005	2	M06x20 8.8 SOCKET HEAD MACH SCREW / VIS CHC M06x20 8.8 BI FT	
2	000014	2	M06x12 8.8 SOCKET HEAD MACH SCREW / VIS CHC M06x12 8.8 BI FT	
3	000015	6	M06x16 8.8 SOCKET HEAD MACH SCREW / VIS CHC M06x16 8.8 BI FT	
4	1001187631	1	PC BRD,INTERFACE,10E / CARTE ELECTRONIQUE INTERFACE	
5	1001210948	4	SCREW-SPEC,TORX D3 L8 METRIC / VIS TORX D3xL8 POUR THERMOPLASTIQUE	
6	120009	4	LOCK WASHER D06x14 / RONDELLE CONTACT dD 06x14 BI	
7	120033	4	M04 PLASTIC WASHER / RONDELLE PLASTIQUE M4	
8	120060	4	WASHER D6 SERRATED LOCK / RONDELLE EVENTAIL D6	
9	130062	4	M04x16 8.8 ROUND HEAD MACH SCREW / VIS BOMBEE ULF M04x16 8.8 BI FT	
10	250031	6	BOOT,BATTERY TERMINAL / CAPUCHON D'ETANCHEITE	
11	260077	1	POWER FUSE HOLDER / PORTE FUSIBLE DE PUISSANCE	
12	260079	1	325A FUSE / FUSIBLE 325A	
13	3740150	1	RELAY,24VDC/100A / RELAIS, 24VDC/100A	
14	PC0491	1	HARNESS, HORN / FAISCEAU AVERTISSEUR SONORE	
15	SE1200	1	GROUND CONTROL PANEL WITH ENABLE / BOITIER BAS AVEC VALIDATION (Prior to SN A300040347)	
15	1001223810	1	GROUND CONTROL PANEL WITHOUT ENABLE / BOITIER BAS SANS VALIDATION (SN A300040347 to Present)	
16	ST3774	1	MOUNT,ELEC COMPONENTS / PLATINE COMPOSANTS ELECTRIQUES	
100	AU2228	1	DECAL,INDICATOR COVER D42 / AUTOCOLLANT MASQUE D42	

SECTION 3 - MAST 1 INSTALL / INSTALLATION MAT 1

FIGURE 3-3. GROUND CONTROL PANEL WITH ENABLE / BOITIER BAS AVEC VALIDATION (Prior to SN A300040347)



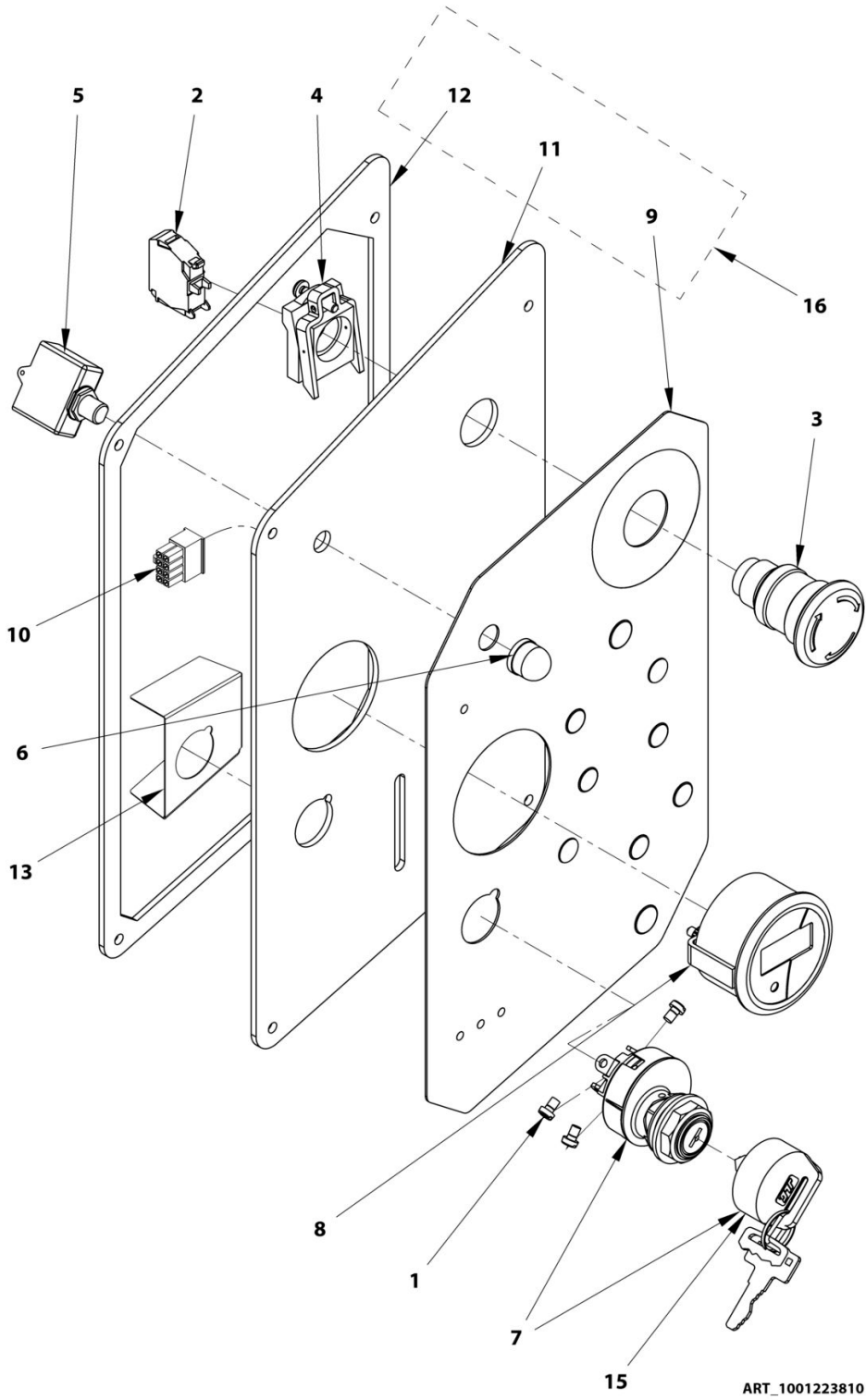
SECTION 3 - MAST 1 INSTALL / INSTALLATION MAT 1

FIGURE 3-3. GROUND CONTROL PANEL WITH ENABLE / BOITIER BAS AVEC VALIDATION (Prior to SN A300040347)

ITEM	PART NUMBER	QTY	DESCRIPTION	REV
	SE1200		GROUND CONTROL PANEL WITH ENABLE / FACADE BOITIER BAS AVEC VALIDATION	B
1	130059	3	M04x06 GR. 4.8 CYLINDRIC HEAD / VIS TC M04x06 4.8 ZI	
2	240057	1	NC CONTACT BLOCK / CONTACT NF	
3	240060	1	TURN TO RELEASE KNOB / BOUTON D'ARRET D'URGENCE	
4	240076	1	CONTACT BLOCK HOLDER / EMBASE CONTACT	
5	260240	1	CIRCUIT BREAKER 5A / DISJONCTEUR 5A	
6	260243	1	CIRCUIT BREAKER BOOT / CAPUCHON DISJONCTEUR	
7	4360469	1	SWITCH,KEY ON/OFF/ON / SELECTEUR A CLE 3 POSITIONS	
8	1001109503	1	MULTI DISPLAY INDICATOR / AFFICHEUR MULTIFONCTIONS	
9	AU2207	1	MEMBRANE SWITCHES,GROUND PANEL / INTERRUPTEURS A MEMBRANE BOITIER BAS	
10	PC0465	1	HARNESS, LCB / FAISCEAU BOITIER BAS	
11	ST3775	1	GROUND PANEL / PLATINE BOITIER BAS	
12	ST3155	1	GASKET,GROUND PANEL / JOINT BOITER BAS	
13	1001239552	1	PLATE,KEY SWITCH CAP / CAPOT SELECTEUR A CLE	
15	2860030	1	KEY (INCLUDED IN ITEM 4360469) / CLE (COMPRISE DANS REF 4360469)	
16	SE1202	1	KIT(SERVICE),DECAL PLATE AND SEAL / KIT AUTOCOLLANT, PLATINE ET JOINT BOITIER BAS	

SECTION 3 - MAST 1 INSTALL / INSTALLATION MAT 1

FIGURE 3-4. GROUND CONTROL PANEL W/O ENABLE / BOITIER BAS SANS VALIDATION (SN A300040347 to Present)



SECTION 3 - MAST 1 INSTALL / INSTALLATION MAT 1

FIGURE 3-4. GROUND CONTROL PANEL W/O ENABLE / BOITIER BAS SANS VALIDATION (SN A300040347 to Present)

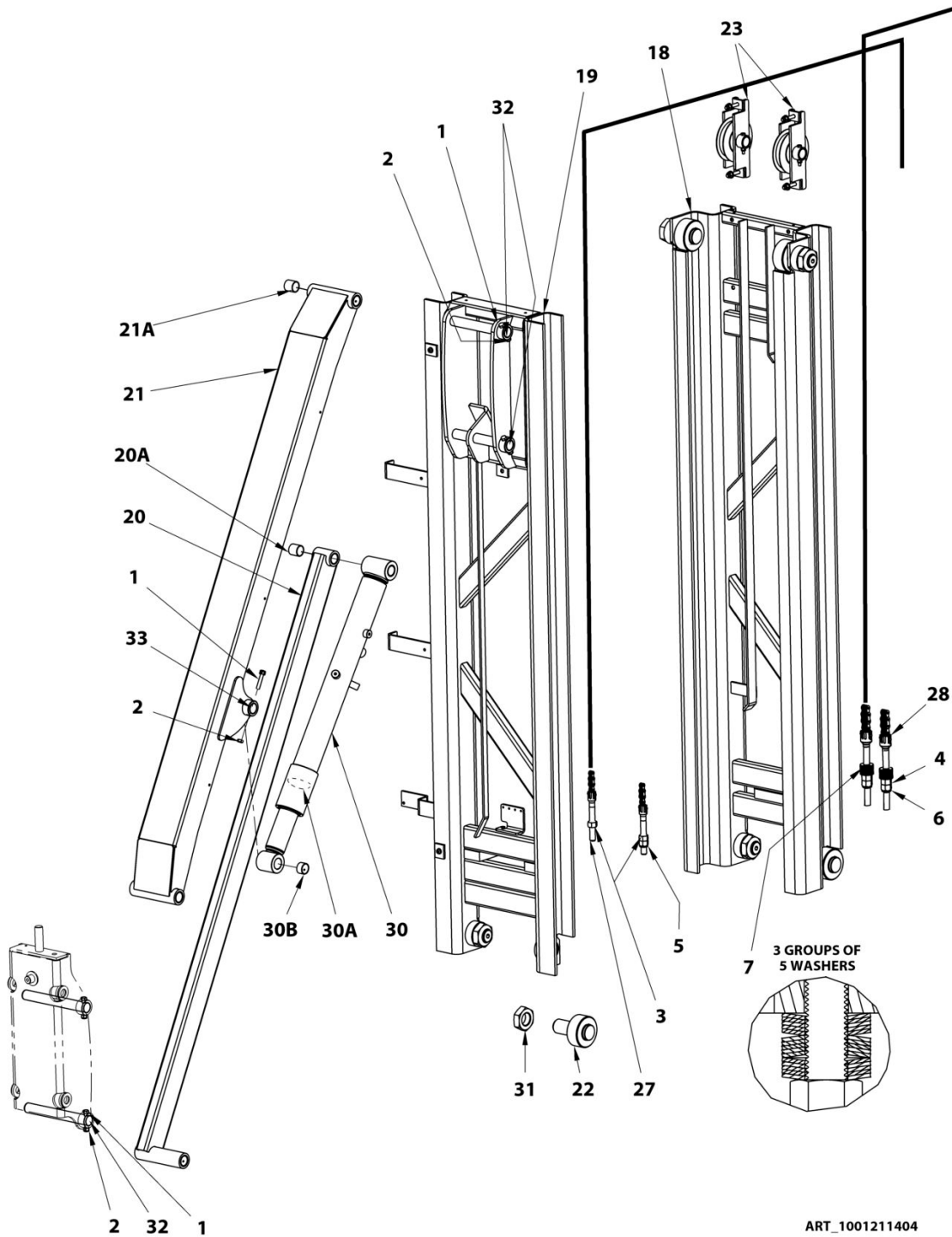
ITEM	PART NUMBER	QTY	DESCRIPTION	REV
	1001223810		GROUND CONTROL PANEL WITHOUT ENABLE / BOITIER BAS SANS VALIDATION	B
1	130059	3	M04x06 GR. 4.8 CYLINDRIC HEAD / VIS TC M04x06 4.8 ZI	
2	240057	1	NC CONTACT BLOCK / CONTACT NF	
3	240060	1	TURN TO RELEASE KNOB / BOUTON D'ARRET D'URGENCE	
4	240076	1	CONTACT BLOCK HOLDER / EMBASE CONTACT	
5	260240	1	CIRCUIT BREAKER 5A / DISJONCTEUR 5A	
6	260243	1	CIRCUIT BREAKER BOOT / CAPUCHON DISJONCTEUR	
7	4360469	1	SWITCH,KEY ON/OFF/ON / SELECTEUR A CLE 3 POSITIONS	
8	1001109503	1	MULTI DISPLAY INDICATOR / AFFICHEUR MULTIFONCTIONS	
9	1001223811	1	MEMBRANE SWITCHES,GROUND PANEL / INTERRUPTEURS A MEMBRANE BOITIER BAS	
10	PC0465	1	HARNESS, LCB / FAISCEAU BOITIER BAS	
11	ST3775	1	GROUND PANEL / PLATINE BOITIER BAS	
12	ST3155	1	GASKET,GROUND PANEL / JOINT BOITER BAS	
13	1001239552	1	PLATE,KEY SWITCH CAP / CAPOT SELECTEUR A CLE	
15	2860030	1	KEY (INCLUDED IN ITEM 4360469) / CLE (COMPRISE DANS REF 4360469)	
16	1001223812	1	KIT(SERVICE),DECAL PLATE AND SEAL / KIT AUTOCOLLANT, PLATINE ET JOINT BOITIER BAS	

SECTION 4 - MAST AND BOOM INSTALL / INSTALLATION MATS ET BRAS

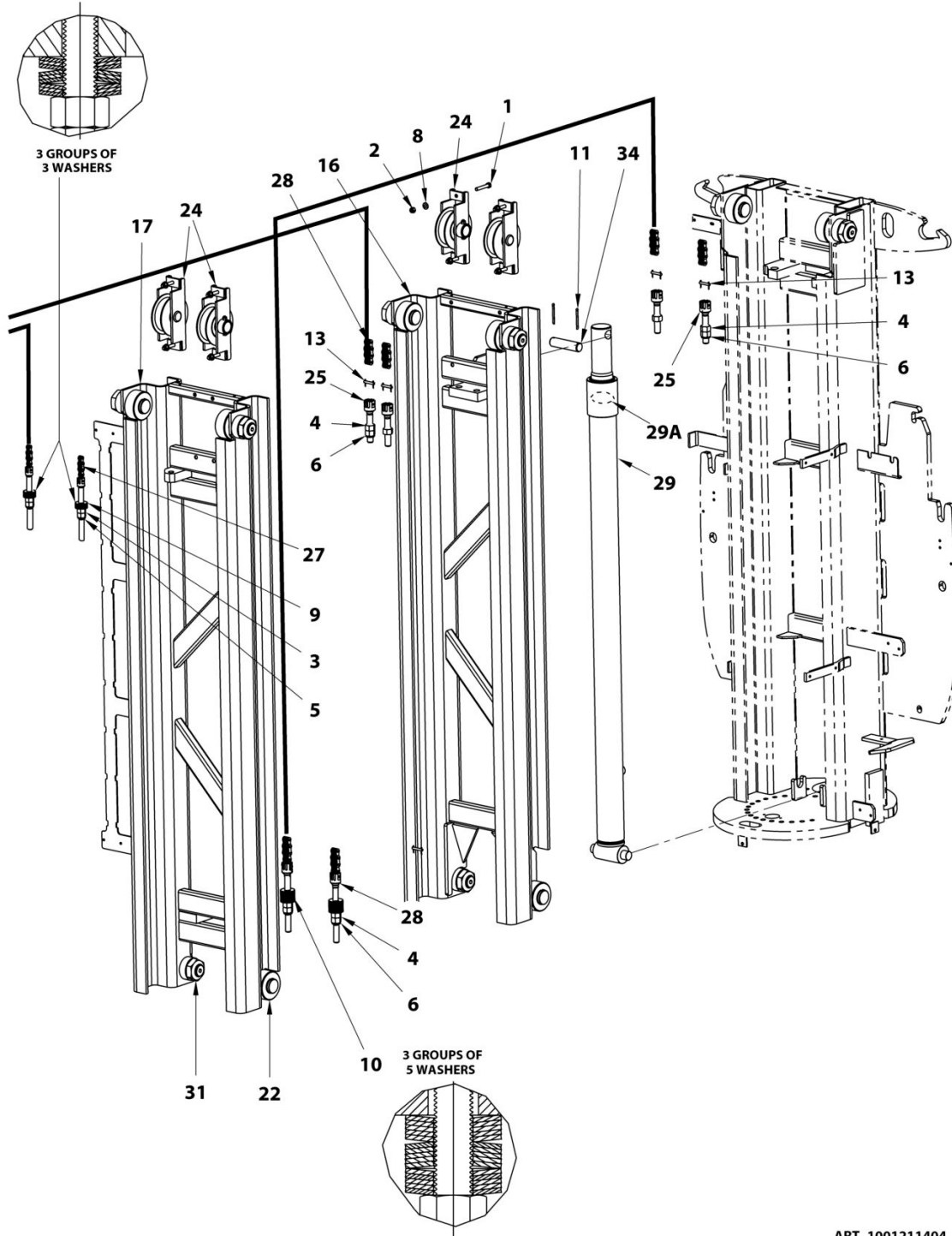
**SECTION 4 - MAST AND BOOM INSTALL / INSTALLATION MATS ET
BRAS**

SECTION 4 - MAST AND BOOM INSTALL / INSTALLATION MATS ET BRAS

FIGURE 4-1. MAST AND BOOM INSTALL / INSTALLATION MAT ET BRAS



SECTION 4 - MAST AND BOOM INSTALL / INSTALLATION MATS ET BRAS



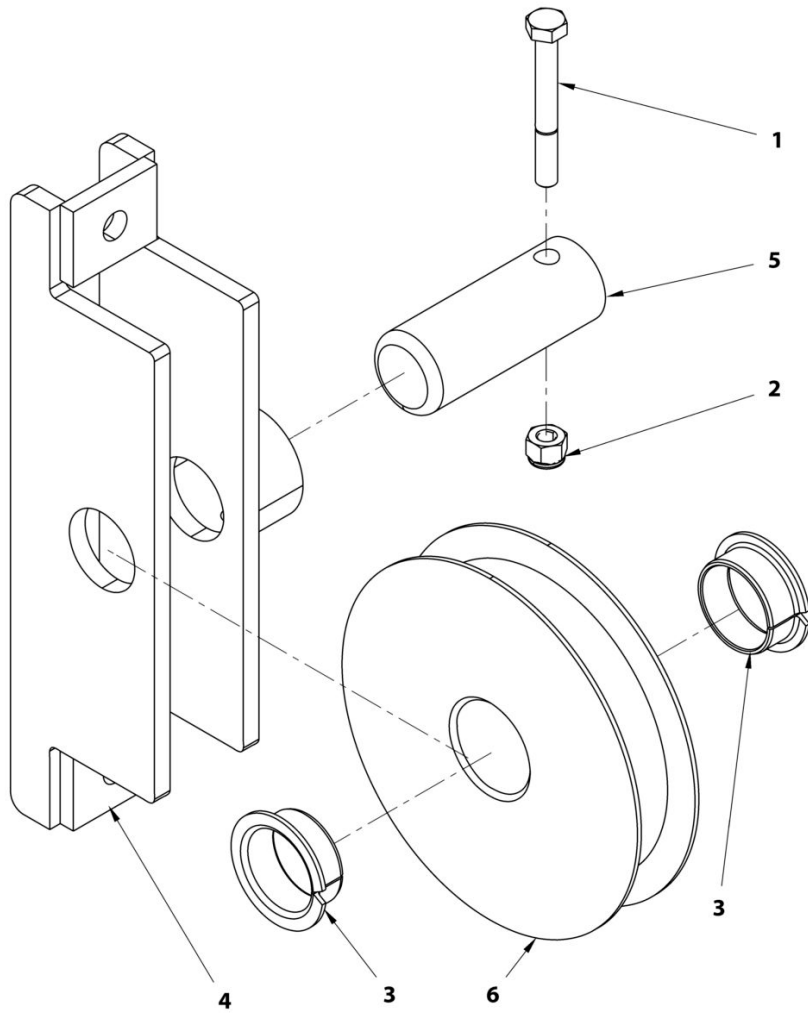
SECTION 4 - MAST AND BOOM INSTALL / INSTALLATION MATS ET BRAS

FIGURE 4-1. MAST AND BOOM INSTALL / INSTALLATION MAT ET BRAS

ITEM	PART NUMBER	QTY	DESCRIPTION	REV
	1001211404	Ref	MAST AND BOOM INSTALL / INSTALLATION MAT ET BRAS	E
1	100063	17	M08x50 8.8 HEX HEAD MACHINE SCREW / VIS H M08x50 8.8 BI FT	
2	110004	17	M08 GR08 LOCK NUT / ECROU FREIN M8 CL08 BI	
3	110009	4	M14 GR08 HEX NUT / ECROU H M14 CL08 BI	
4	110010	8	M16 GR08 HEX NUT / ECROU H M16 CL08 BI	
5	110019	3	M14 GR08 LOCK NUT / ECROU FREIN H M14 CL08 BI	
6	110020	6	M16 GR08 LOCK NUT / ECROU FREIN H M16 CL08 BI	
7	120006	30	BEVEL WASHER D34x16.3x1.5 / RONDELLE RESSORT D34x16.3x1.5 BR	
8	120010	12	dD 08x18 LOCK WASHER / RONDELLE CONTACT dD 08x18 BI	
9	120017	18	BEVEL WASHER D34x14.3x1.5 / RONDELLE RESSORT D34x14.3x1.5 BR	
10	120036	30	BEVEL WASHER Ø40x16.3x2 / RONDELLE RESSORT Ø40x16.3x2 BR	
11	140009	2	D4.5x50 COTTER PIN / GOUPILLE FENDUE D4.5x50	
13	170008	4	M16 CLEVIS PIN / AXE DE CHAPE M16	
16	DL0818	1	MAST 2 / MAT 2	
17	DL0935	1	MAST 3 / MAT 3	
18	DL0824	1	MAST 4 / MAT 4	
19	DL0936	1	MAST 5 / MAT 5	
20	DL0924	1	BOOM,LOWER / BRAS INFERIEUR	
20A	150002	4	BUSHING Ø25 H25 DX / BAGUE D25 H25 DX	
21	DL0923	1	BOOM,UPPER / BRAS SUPERIEUR	
21A	150002	4	BUSHING Ø25 H25 DX / BAGUE D25 H25 DX	
22	SE1214	16	ROLLER,ASSEMBLY M36 / ENSEMBLE GALET DE GUIDAGE M36	
23	SE0730	2	PULLEY ASSEMBLY LL10-44 / ASSEMBLAGE SUPPORT POULIE LL10-44	
24	SE0731	4	PULLEY ASSEMBLY LL12-66 / ASSEMBLAGE SUPPORT POULIE LL12-66	
25	ST0099	4	CHAIN ANCHOR M16 L80 / CHAPE DE CHAINE M16 L80	
27	1001220619	2	CHAIN,LL10-44 EQUIPPED / CHAINE LL10-44 EQUIPEE	
28	1001220620	4	CHAIN,LL12-66 1 SIDE EQUIPPED / CHAINE LL10-66 EQUIPEE 1 COTE	
29	ST3333	1	MAST CYLINDER / VERIN MAT	
29A	960098	1	SEAL KIT - ST3333 / KIT DE JOINTS - ST3333	
30	1001216209	1	BOOM CYLINDER / VERIN BRAS (Prior to SN A300040285)	
30	1001225702	1	BOOM CYLINDER / VERIN BRAS (SN A300040285 to Present)	
30A	960097	1	SEAL KIT / KIT DE JOINTS	
30B	150002	4	BUSHING D25 H25 DX / BAGUE D25 H25 DX	
31	US0026	16	M36 GR04 HEX NUT / ECROU M36 CL04 BI	
32	US0481	4	PIN D25 L210 / AXE D25 L210	
33	US0537	1	PIN, D25 - L100 / AXE D25 - L100	
34	US0538	1	PIN, D25-L100-2d5 / AXE D25 - L100 - 2d5	

SECTION 4 - MAST AND BOOM INSTALL / INSTALLATION MATS ET BRAS

FIGURE 4-2. PULLEY SUPPORT LL10-44 / SUPPORT POULIE LL10-44



ART. 560730

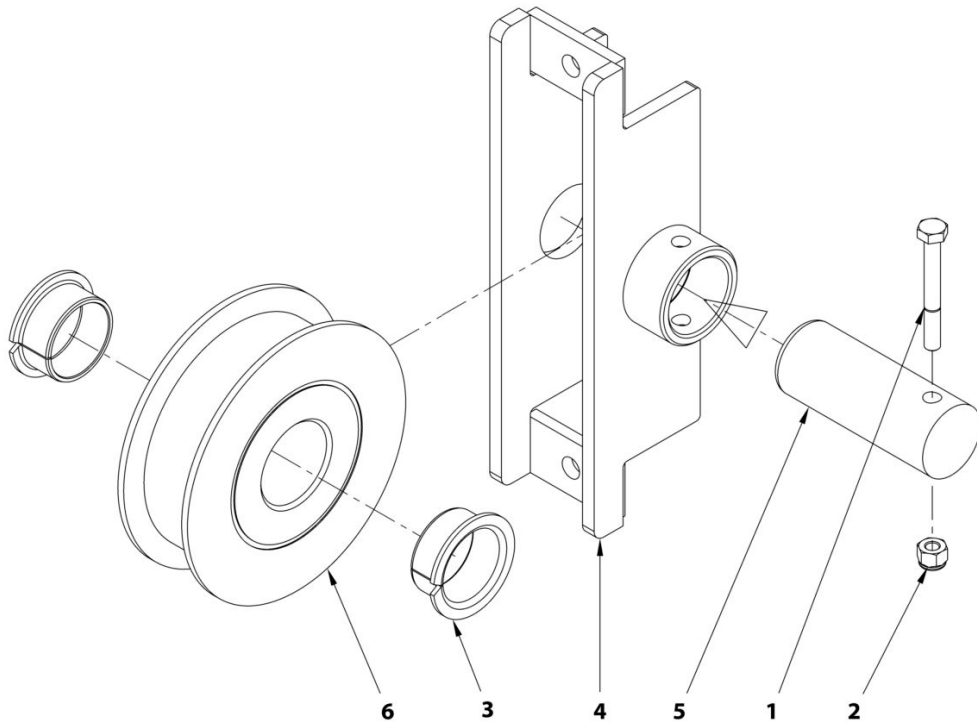
SECTION 4 - MAST AND BOOM INSTALL / INSTALLATION MATS ET BRAS

FIGURE 4-2. PULLEY SUPPORT LL10-44 / SUPPORT POULIE LL10-44

ITEM	PART NUMBER	QTY	DESCRIPTION	REV
	SE0730		PULLEY SUPPORT LL10-44 / SUPPORT POULIE LL10-44	
1	100013	1	M06x50 8.8 HEX HEAD CAPSCREW / VIS H M06x50 8.8 BI FP	
2	110003	1	M06 GR.08 LOCK NUT / ECROU FREIN M6 CL08 BI	
3	150011	2	FLANGE BUSHING D25 H11.5 DU / BAGUE EPAULEE D25 H11.5 DU	
4	SD0453	1	PULLEY MOUNT / SUPPORT POULIE	
5	US0377	1	PULLEY PIN / AXE DE SUPPORT POULIE	
6	US0475	1	LL10-44 PULLEY / POULIE LL10-44	

SECTION 4 - MAST AND BOOM INSTALL / INSTALLATION MATS ET BRAS

FIGURE 4-3. PULLEY SUPPORT LL12-66 / SUPPORT POULIE LL12-66



ART_SE0731

SECTION 4 - MAST AND BOOM INSTALL / INSTALLATION MATS ET BRAS

FIGURE 4-3. PULLEY SUPPORT LL12-66 / SUPPORT POULIE LL12-66

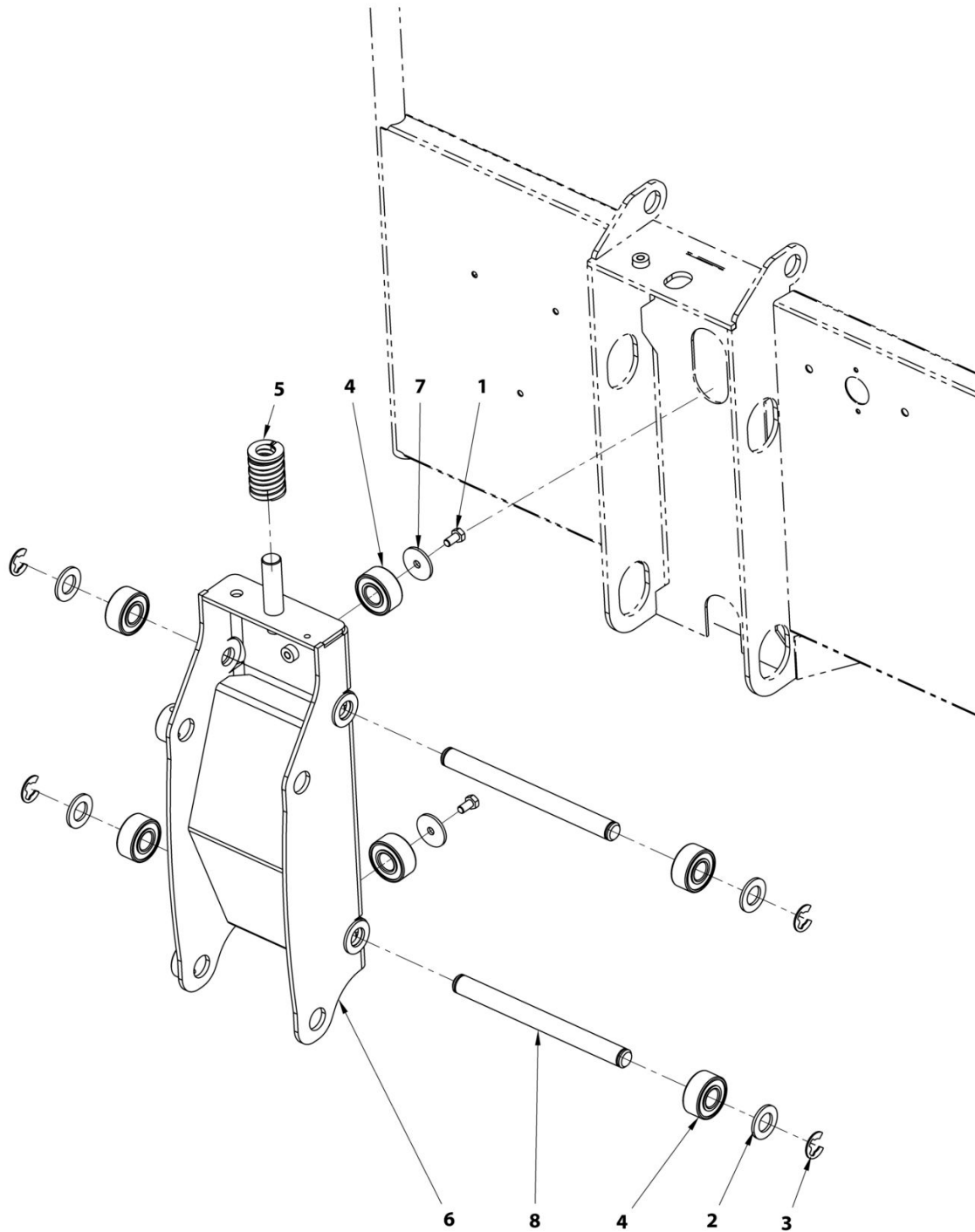
ITEM	PART NUMBER	QTY	DESCRIPTION	REV
	SE0731		PULLEY SUPPORT LL12-66 / SUPPORT POULIE LL12-66	
1	100013	1	M06x50 8.8 HEX HEAD CAPSCREW / VIS H M06x50 8.8 BI FP	
2	110003	1	M06 GR08 LOCK NUT / ECROU FREIN M6 CL08 BI	
3	150007	2	FLANGE BUSHING Ø30 H16 DU / BAGUE EPAULEE Ø30 H16 DU	
4	SD0452	1	PULLEY MOUNT / SUPPORT POULIE	
5	US0375	1	PULLEY PIN / AXE DE SUPPORT POULIE	
6	US0479	1	LL12-66 PULLEY / POULIE LL12-66	

SECTION 5 - PLATFORM INSTALL / INSTALLATION PLATE-FORME

SECTION 5 - PLATFORM INSTALL / INSTALLATION PLATE-FORME

SECTION 5 - PLATFORM INSTALL / INSTALLATION PLATE-FORME

FIGURE 5-1. PLATFORM SUPPORT INSTALL / INSTALLATION SUPPORT PLATE-FORME



ART_1001211420

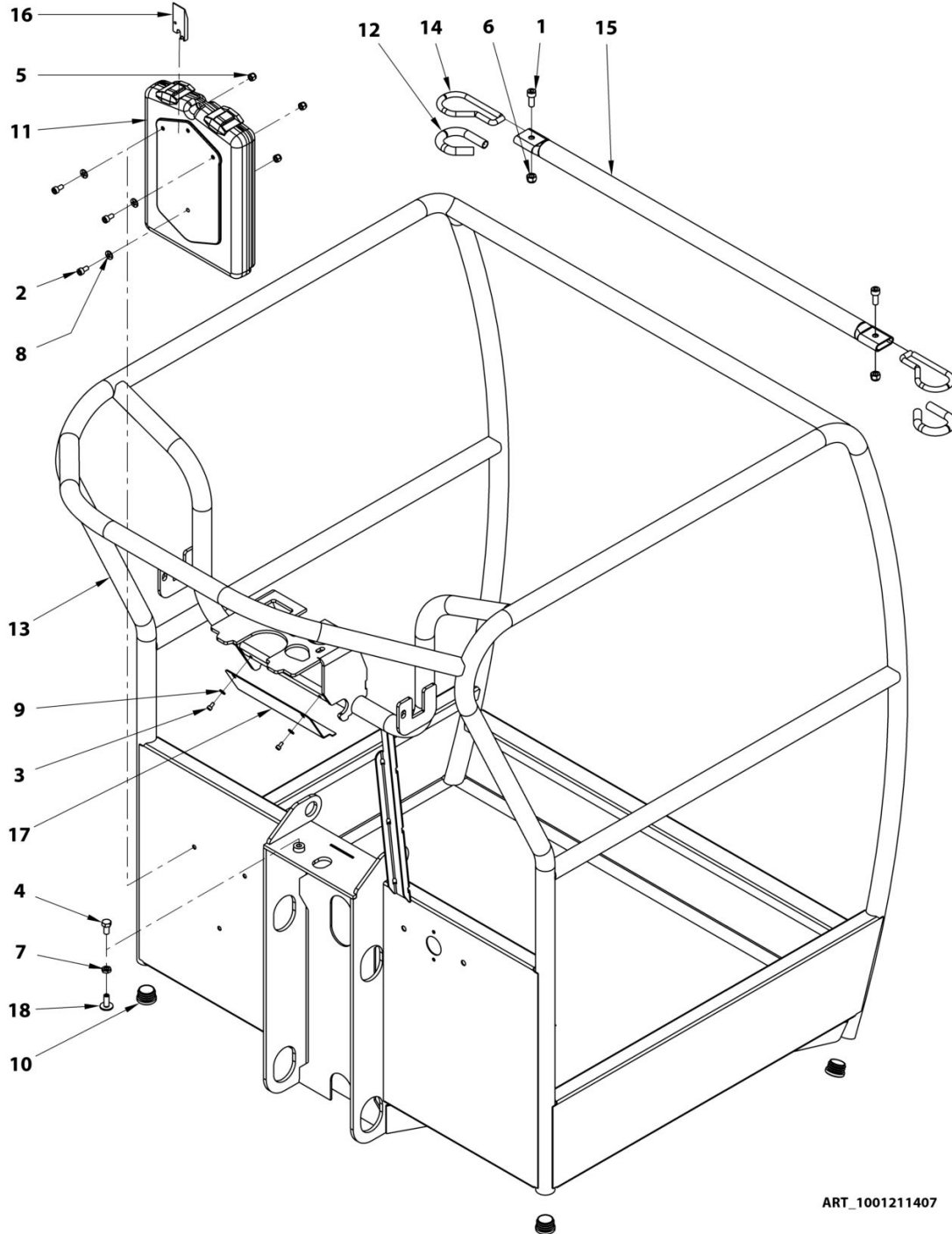
SECTION 5 - PLATFORM INSTALL / INSTALLATION PLATE-FORME

FIGURE 5-1. PLATFORM SUPPORT INSTALL / INSTALLATION SUPPORT PLATE-FORME

ITEM	PART NUMBER	QTY	DESCRIPTION	REV
	1001211420	Ref	PLATFORM SUPPORT INSTALL / INSTALLATION SUPPORT PLATE-FORME	A
1	100054	2	M08x16 8.8 HEX HEAD MACHINE SCREW / VIS H M08x16 8.8 BI FT	
2	120003	4	D20x37x3 WASHER / RONDELLE D20x37x3 BI	
3	130029	4	RETAINING RING D15 / CIRCLIPS EXTERIEUR D15	
4	150061	6	3204-2RS BEARING / ROULEMENT 3204-2RS	
5	160033	1	SPRING,OVERLOAD G 40-51 / RESSORT SURCHARGE G40-51	
6	DL0918	1	SUPPORT,PLATFORM / SUPPORT PLATE-FORME	
7	US0531	2	WASHER-SPEC,D8XD37XTH.3 / RONDELLE Di 8xDe 37xEP 3	
8	US0603	2	PIN,BEARING MOUNT / AXE ROULEMENTS	

SECTION 5 - PLATFORM INSTALL / INSTALLATION PLATE-FORME

FIGURE 5-2. PLATFORM, DROP BAR INSTALL / INSTALLATION PLATE-FORME - LISSE COULISSANTE



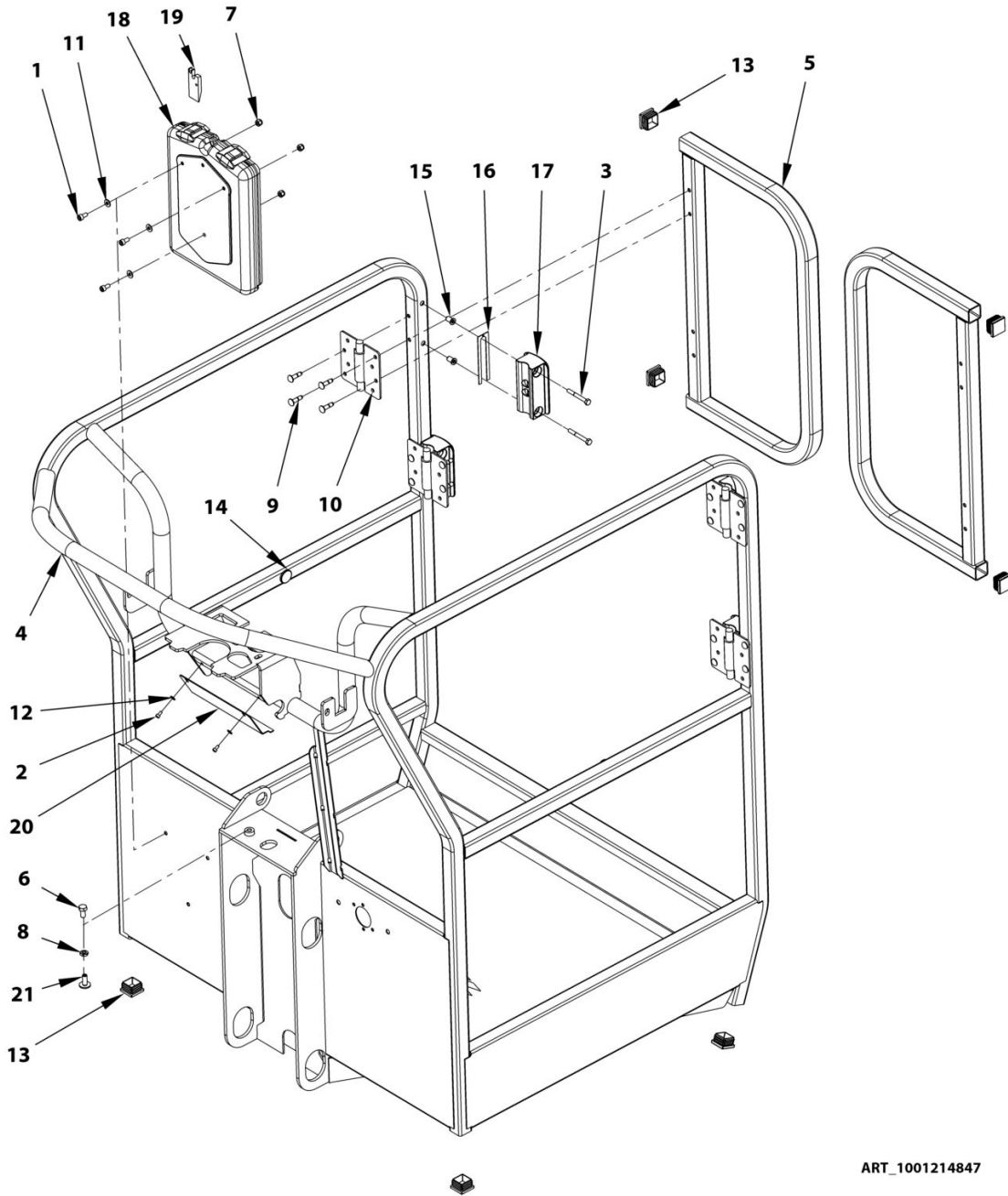
SECTION 5 - PLATFORM INSTALL / INSTALLATION PLATE-FORME

FIGURE 5-2. PLATFORM,DROP BAR INSTALL / INSTALLATION PLATE-FORME - LISSE COULISSANTE

ITEM	PART NUMBER	QTY	DESCRIPTION	REV
	1001211407	Ref	PLATFORM WITH DROP BAR INSTALL / INSTALLATION PLATE-FORME - LISSE COULISSANTE	
1	000006	2	M08x20 8.8 SOCKET HEAD MACH SCREW / VIS CHC M08x20 8.8 BI FT	
2	000014	3	M06x12 8.8 SOCKET HEAD MACH SCREW / VIS CHC M06x12 8.8 BI FT	
3	000090	2	M04x08 8.8 SOCKET HEAD MACH SCREW / VIS CHC M04x08 8.8 BI FT	
4	100054	1	M08x16 8.8 HEX HEAD MACHINE SCREW / VIS H M08x16 8.8 BI FT	
5	110003	3	M06 GR. 8.8 LOCK NUT / ECROU FREIN M6 CL08 BI	
6	110004	2	M08 GR. 8.8 LOCK NUT / ECROU FREIN M8 CL08 BI	
7	110022	1	M08 GR. 8.8 FLAT HEX NUT / ECROU Hm M08 CL04 ZI	
8	120009	3	LOCK WASHER D06x14 / RONDELLE CONTACT dD 06x14 BI	
9	120024	2	LOCK WASHER D04x10 / RONDELLE CONTACT M4 BI	
10	400048	4	CAP D30 / BOUCHON D30	
11	8990147	1	HOLDER, MANUAL / BOITE PORTE-DOCUMENTS	
12	280023	0.36m	PROTECTION SLEEVE / GAINNE DE PROTECTION	
13	DL0919	1	PLATFORM,WELDMENT / PLATE-FORME	
14	ST0736	2	BAR, FLAP HOOP / ANNEAU PORTILLON	
15	ST0763	1	RAIL, FLAP / PORTILLON	
16	ST2741	1	SENSOR CONTROL TOOL / CALE DE VERIFICATION	
17	ST3234	1	SHIELD,COVER CONNECTORS / CARTER DE PROTECTION CONNECTEURS	
18	US0236	1	SETTING SCREW / VIS DE REGLAGE	

SECTION 5 - PLATFORM INSTALL / INSTALLATION PLATE-FORME

FIGURE 5-3. 26E-PLATFORM,SALOON GATES / 26E-INSTALLATION PLATE-FORME - PORTE SALOON



ART_1001214847

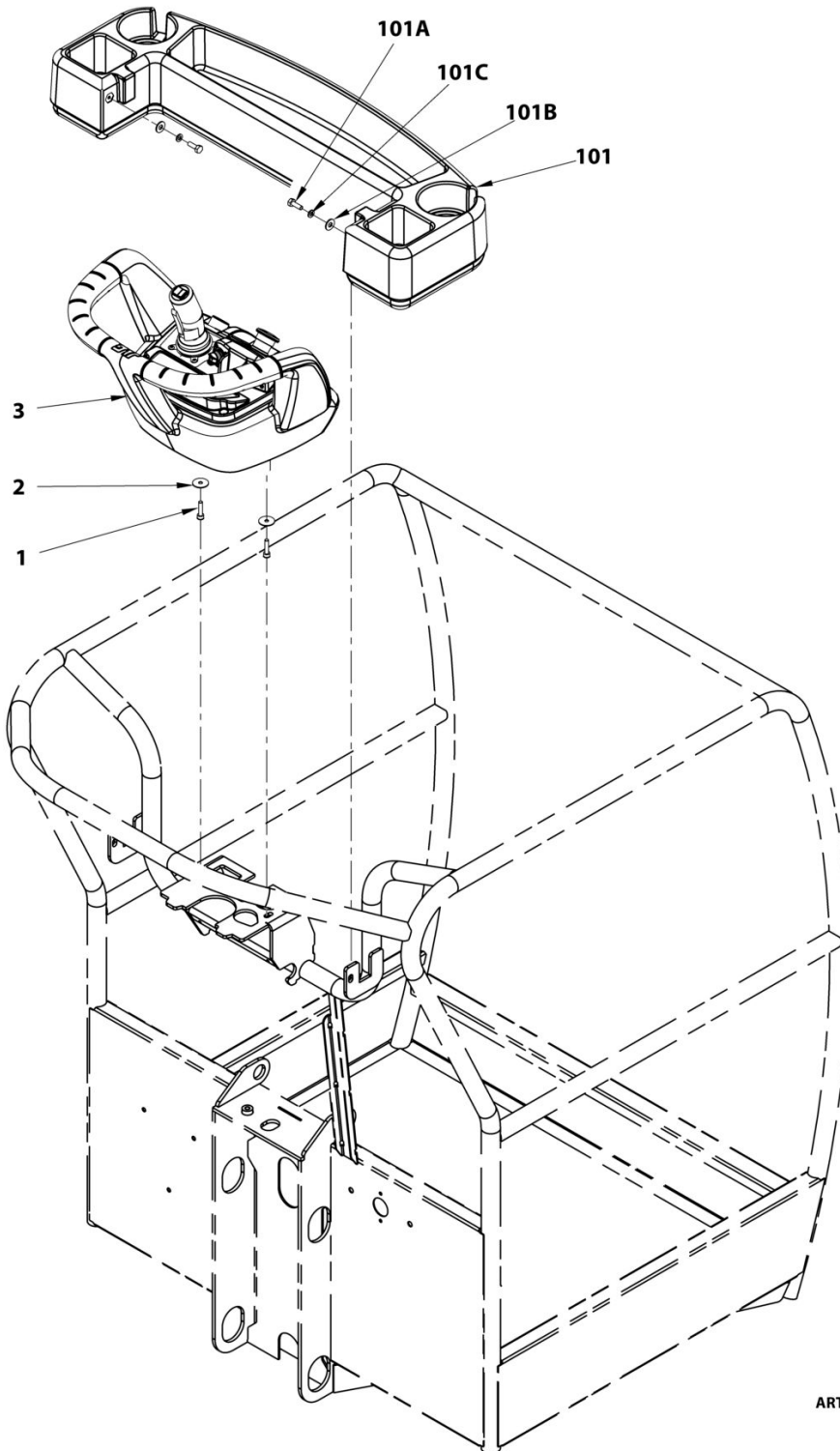
SECTION 5 - PLATFORM INSTALL / INSTALLATION PLATE-FORME

FIGURE 5-3. 26E-PLATFORM,SALOON GATES / 26E-INSTALLATION PLATE-FORME - PORTE SALOON

ITEM	PART NUMBER	QTY	DESCRIPTION	REV
	1001214847	Ref	26E-INSTALL,SALOON GATES / 26E-INSTALLATION PLATE-FORME - PORTE SALOON	B
1	000014	3	M06x12 8.8 SOCKET HEAD MACH SCREW / VIS CHC M06x12 8.8 BI FT	
2	000090	2	M04x08 8.8 SOCKET HEAD MACH SCREW / VIS CHC M04x08 8.8 BI FT	
3	100013	8	M06x50 8.8 HEX HEAD CAPSCREW / VIS H M06x50 8.8 BI FP	
4	1001213196	1	PLATFORM,SALOON GATES / PLATE-FORME - PORTE SALOON	
5	1001213260	2	GATE,PLATFORM / PORTE PLATE-FORME	
6	100054	1	M08x16 8.8 HEX HEAD MACHINE SCREW / VIS H M08x16 8.8 BI FT	
7	110003	3	M06 GR. 8.8 LOCK NUT / ECROU FREIN M6 CL08 BI	
8	110022	1	M08 GR. 8.8 FLAT HEX NUT / ECROU Hm M08 CL04 ZI	
9	2080040	16	HUCK MAGNALOK BLIND FASTENER / ATTACHE BORGNE	
10	2600281	4	HINGE,SELF CLOSING STAINLESS / CHARNIERE INOX FERMETURE AUTOMATIQUE	
11	120009	3	LOCK WASHER D06x14 / RONDELLE CONTACT dD 06x14 BI	
12	120024	2	LOCK WASHER D04x10 / RONDELLE CONTACT M4 BI	
13	400099	8	CAP,TUBE / BOUCHON TUBE	
14	3340962	2	PAD,ARM REST / BUTEE D'ARRET	
15	1001258232	8	RIVET,NUT M6 / ECROU RIVET M6	
16	1001263939	4	PLATE,SHIM / CALE PORTE PANIER	
17	4220309	4	STOP,SWING GATE / BUTEE PORTE PIVOTANTE	
18	8990147	1	HOLDER, MANUAL / BOITE PORTE-DOCUMENTS	
19	ST2741	1	SHIM, CHECKING / CALE DE VERIFICATION	
20	ST3234	1	PLATE,CONNECTOR BOX COVER / CARTER CONNECTEURS BOITIER	
21	US0236	1	SCREW, ADJUSTMENT / VIS DE REGLAGE	

SECTION 5 - PLATFORM INSTALL / INSTALLATION PLATE-FORME

FIGURE 5-4. CONSOLE AND CONTAINER INSTALL / INSTALLATION BOITIER DE COMMANDE ET BOITE A OUTILS



ART_SP0971

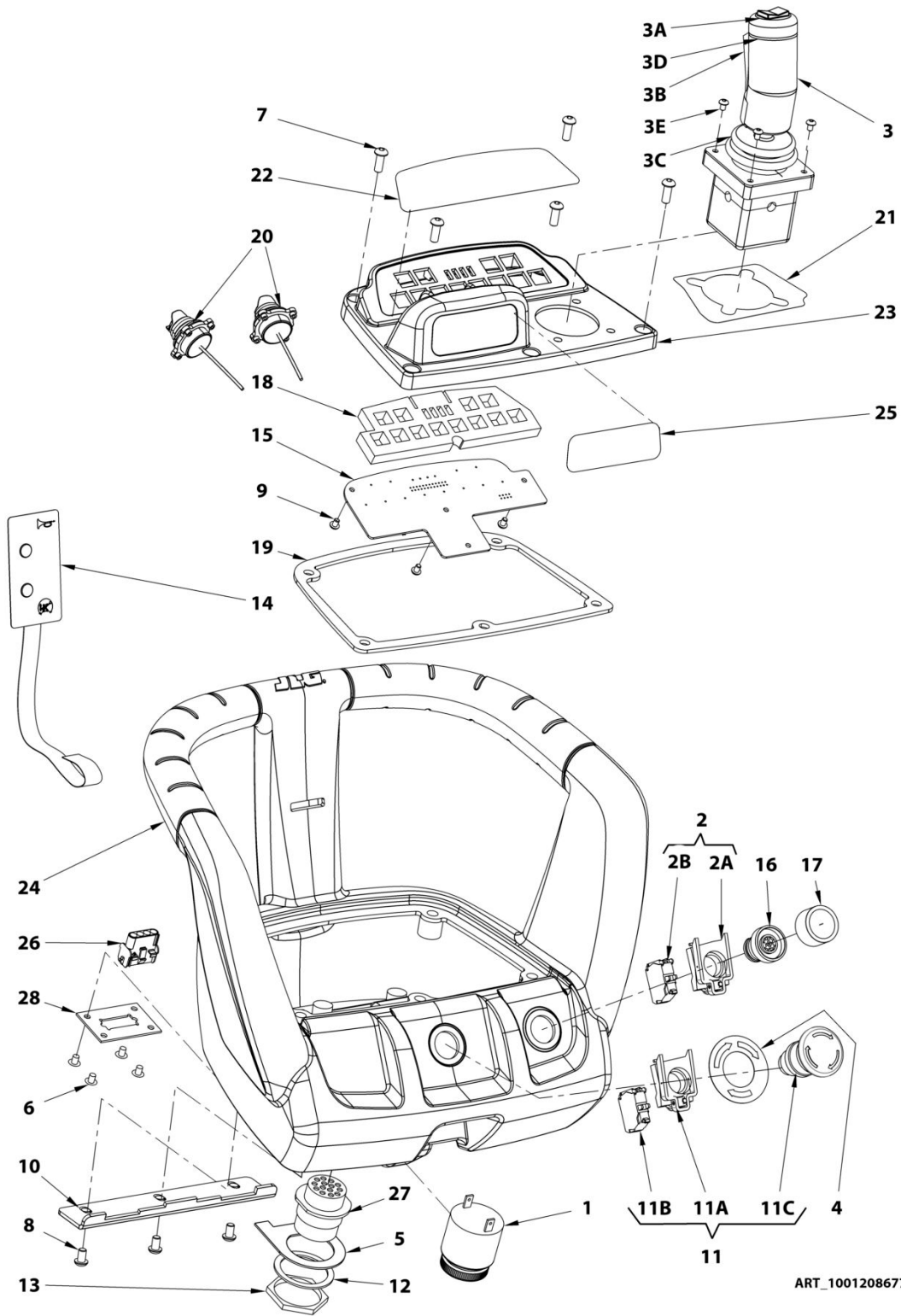
SECTION 5 - PLATFORM INSTALL / INSTALLATION PLATE-FORME

FIGURE 5-4. CONSOLE AND CONTAINER INSTALL / INSTALLATION BOITIER DE COMMANDE ET BOITE A OUTILS

ITEM	PART NUMBER	QTY	DESCRIPTION	REV
	1001209934	Ref	INSTALL,UPPER CONTROL BOX / ASSEMBLAGE BOITIER DE COMMANDE	
1	000008	2	M06x25 8.8 SOCKET HEAD MACH SCREW / VIS CHC M06x25 8.8 BI FT	
2	120004	2	D06X25 LARGE WASHER / RONDELLE dD 06x25x1.2 BI	
3	1001208677	1	ELEC ASSY,PLATFORM CONTROL BOX / ASSEMBLAGE ELECTRIQUE, BOITIER DE COMMANDE	
	SA0020	Ref	INSTALL, CONTAINER STORAGE TRAY / INSTALLATION BOITE A OUTILS	B
101	1580012	1	CONTAINER, STORAGE TRAY / BOITE A OUTILS	
101A	0641406	2	HEX HD CAPSCREW, 1/4-20 x 3/4 LG / VIS H 1/4-20 x 3/4 LG	
101B	4751400	2	WASHER, 1/4" DIA PLAIN STL., WIDE / RONDELLE LARGE D, 1/4"	
101C	4761400	2	WASHER, 1/4" DIA ZINC PLT LOCK / RONDELLE FREIN D, 1/4" BI	

SECTION 5 - PLATFORM INSTALL / INSTALLATION PLATE-FORME

FIGURE 5-5. PLATFORM CONSOLE ASSEMBLY / BOITIER HAUT



SECTION 5 - PLATFORM INSTALL / INSTALLATION PLATE-FORME

FIGURE 5-5. PLATFORM CONSOLE ASSEMBLY / BOITIER HAUT

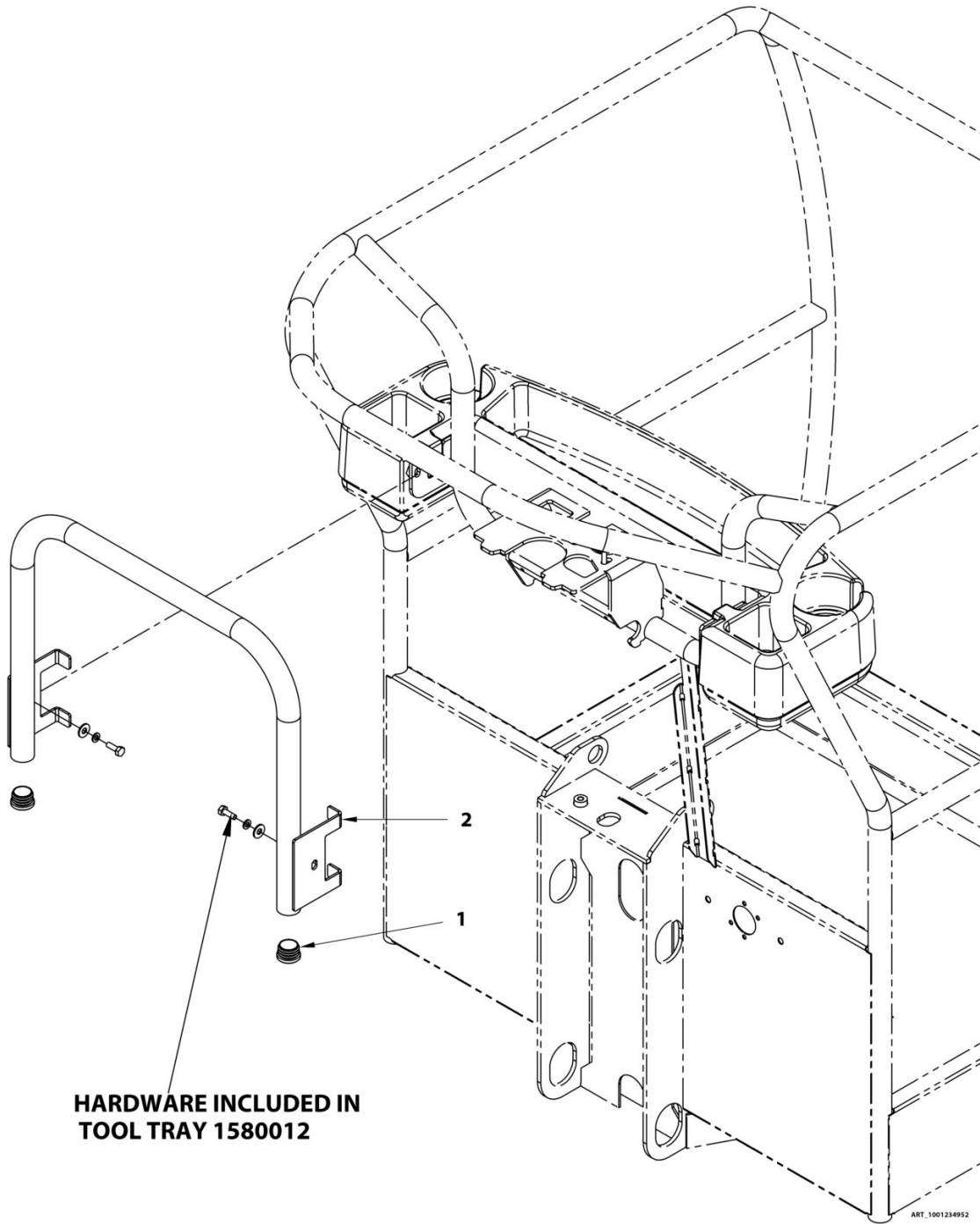
ITEM	PART NUMBER	QTY	DESCRIPTION	REV
	1001208677		PLATFORM CONSOLE ASSEMBLY / BOITIER HAUT	E
1	0140011	1	AUDIBLE SIGNAL DEVICE / AVERTISSEUR SONORE	
2	240056	1	NO CONTACT BLOCK WITH HOLDER / EMBASE CONTACT NO	
2A	240076	1	CONTACT BLOCK HOLDER / EMBASE CONTACT	
2B	240058	1	NO CONTACT BLOCK / CONTACT NO	
3	1600458	1	JOYSTICK / JOYSTICK	
3A	70000084	1	CAP, RUBBER BOOT / PROTECTION CAOUTCHOUC	
3A	7027365	1	ACTUATOR HANDLE / ACTIONNEUR A BASCULE	
3B	7027367	1	SWITCH ENABLER / CONTACT VALIDATION	
3B	7027765	1	LEVER ENABLER / GACHETTE VALIDATION	
3C	70000682	1	RUBBER BELLOWS / SOUFFLET CAOUTCHOUC	
3D	7027766	1	BOOT RETAINING RING / ANNEAU DE BLOCAGE	
3E	130062	4	M04x16 8.8 ROUND HEAD MACH SCREW / VIS BOMBEE ULF M04x16 8.8 BI FT	
4	1706898	1	DECAL, EMERGENCY / AUTOCOLLANT ARRET D'URGENCE	
5	3575796	1	PLATE,D SLOT / PLAQUE ANTI-ROTATION	
6	3820019	4	RIVET, POP D4.75 L11.4 / RIVET POP D4.75 L11.4	
7	3900357	5	M06x16 10.9 BUTTON HEAD MACH SCREW / VIS BOMBEE ULF M06x16 10.9 BI FT	
8	3900358	3	M06x10 10.9 BUTTON HEAD MACH SCREW / VIS BOMBEE ULF M06x10 10.9 BI FT	
9	3900359	3	M04x06 10.9 BUTTON HEAD MACH SCREW / VIS BOMBEE ULF M04x06 10.9 BI FT	
10	4340871	1	MOUNT / BRIDE RENFORT	
11	4360562	1	COMPLETE KNOB / ARRET D'URGENCE COMPLET	
11A	240076	1	SWITCH BASE / EMBASE CONTACT	
11B	240057	1	NC CONTACT BLOCK / CONTACT NF	
11C	240060	1	TURN TO RELEASE KNOB / BOUTON D'ARRET D'URGENCE 1/4 TOUR	
12	4460496	1	LOCKWASHER, DEUTSCH TERMINAL / RONDELLE CONNECTEUR DEUTSCH	
13	4460497	1	NUT, DEUTSCH TERMINAL HD30 / ECROU CONNECTEUR DEUTSCH HD30	
14	1001091989	1	MEMBRANE SWITCHES / INTERUPTEURS A MEMBRANE	
15	1001152692	1	CONTROLLER, PLATFORM MODULE / CARTE BOITIER HAUT PROGRAMMEE	
16	1001115919	1	SWITCH, PUSH BUTTON-ENABLE / BP DE VALIDATION	
17	1001117177	1	SWITCH,NEOPRENE BOOT / CAPUCHON D'ETANCHEITE NEOPRENE	
18	1001154560	1	SEAL,FORM SPACER GASKET / JOINT MOUSSE	
19	1001155328	1	SEAL,CONSOLE BOX LID / JOINT FACADE BOITIER HAUT	
20	1001155354	2	THUMB JOYSTICK / MINI JOYSTICK	
21	1001155460	1	DECAL,DRIVE SWING JOYSTICK / AUTOCOLLANT JOYSTICK TRANSLATION	
22	1001155462	1	DECAL,LIGHT PANEL ICON DISPLAY / AUTOCOLLANT INDICATEURS BOITIER HAUT	
23	1001157657	1	PANEL,CONSOLE COVER / PLATINE BOITIER HAUT	
24	1001208678	1	BOX,PLATFORM CONSOLE / BOITIER HAUT	
25	1001208856	1	DECAL,JIB,MAST JOYSTICK / AUTOCOLLANT JOYSTICK MAT ET BRAS	
26	1001208857	1	HARNESS,JOYSTICS / FAISCEAU JOYSTICKS	

SECTION 5 - PLATFORM INSTALL / INSTALLATION PLATE-FORME

ITEM	PART NUMBER	QTY	DESCRIPTION	REV
27	PC0606	1	HARNES UCB / FAISCEAU BOITIER HAUT	
28	ST3312	1	PLATE,PLUG MOUNT / PLATINE MONTAGE CONNECTEUR	

SECTION 5 - PLATFORM INSTALL / INSTALLATION PLATE-FORME

FIGURE 5-6. TOP RAIL UPPER CONTROLS PROTECTION / PROTECTION CONTROLES HAUT



SECTION 5 - PLATFORM INSTALL / INSTALLATION PLATE-FORME

FIGURE 5-6. TOP RAIL UPPER CONTROLS PROTECTION / PROTECTION CONTROLES HAUT

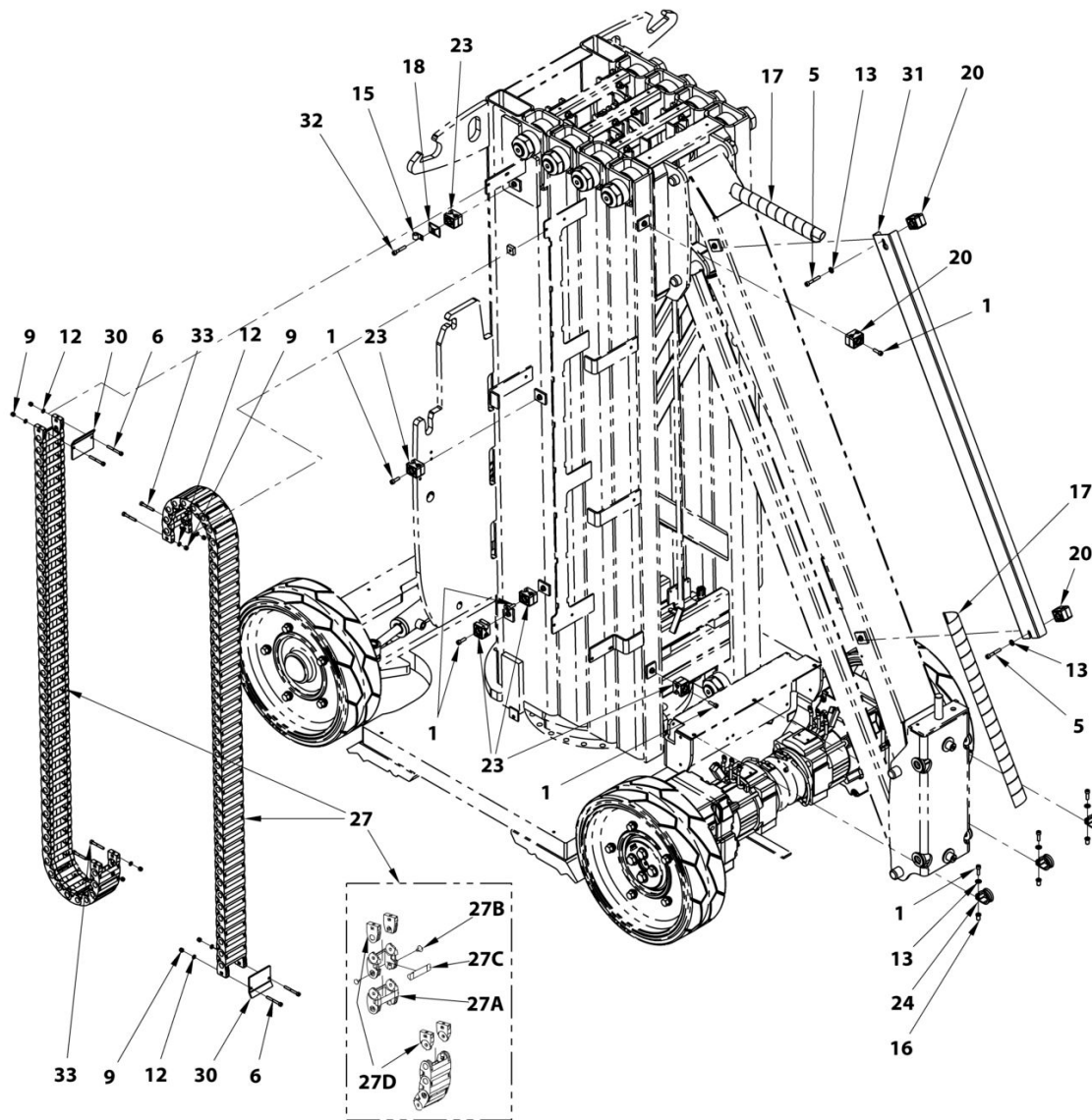
ITEM	PART NUMBER	QTY	DESCRIPTION	REV
	1001234952	Ref	TOP RAIL UPPER CONTROLS PROTECTION / PROTECTION CONTROLES HAUT	
1	400048	2	CAP D30 / BOUCHON D30	
2	1001234782	1	RAIL,UCB GUARD / TUBE PROTECTION BOITIER HAUT	

**SECTION 6 - POWER TRACKS AND CLAMPS INSTALL / INSTALLATION
CHAINES PORTE CABLES**

**SECTION 6 - POWER TRACKS AND CLAMPS INSTALL /
INSTALLATION CHAINES PORTE CABLES**

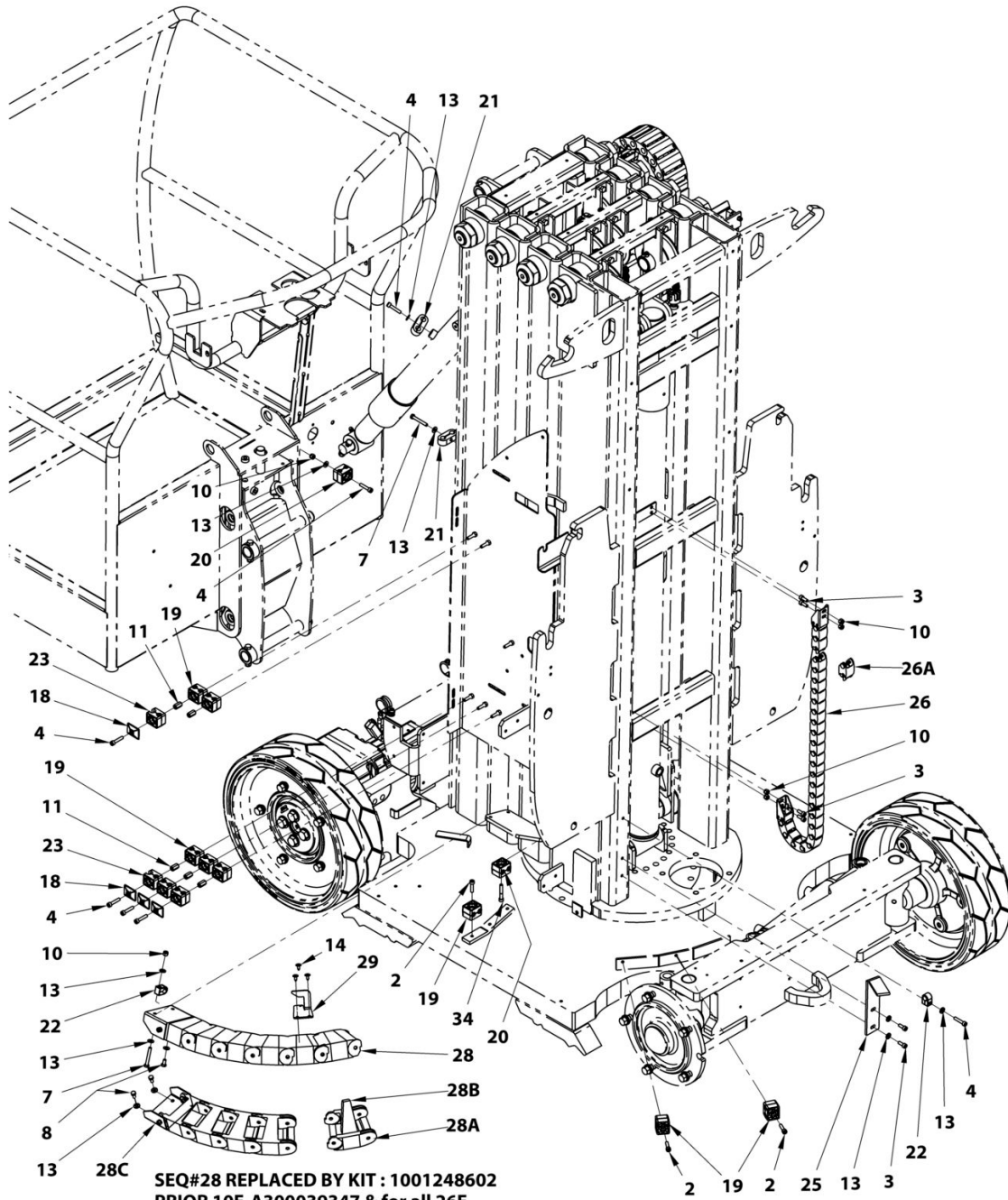
SECTION 6 - POWER TRACKS AND CLAMPS INSTALL / INSTALLATION CHAINES PORTE CABLES

FIGURE 6-1. POWER TRACKS AND CLAMPS INSTALL / INSTALLATION CHAINES PORTE CABLES



ART_1001211408

SECTION 6 - POWER TRACKS AND CLAMPS INSTALL / INSTALLATION CHAINES PORTE CABLES



SECTION 6 - POWER TRACKS AND CLAMPS INSTALL / INSTALLATION CHAINES PORTE CABLES

FIGURE 6-1. POWER TRACKS AND CLAMPS INSTALL / INSTALLATION CHAINES PORTE CABLES

ITEM	PART NUMBER	QTY	DESCRIPTION	REV
	1001211408	Ref	POWER TRACK & CLAMPS INSTALL / INSTALLATION CHAINES PORTE CABLES	E
1	000005	8	M06x20 8.8 SOCKET HEAD MACH SCREW / VIS CHC M06x20 8.8 BI FT	
2	000008	3	M06x25 8.8 SOCKET HEAD MACH SCREW / VIS CHC M06x25 8.8 BI FT	
3	000015	6	M06x16 8.8 SOCKET HEAD MACH SCREW / VIS CHC M06x16 8.8 BI FT	
4	000016	7	M06x30 8.8 SOCKET HEAD MACH SCREW / VIS CHC M06x30 8.8 BI FT	
5	000017	2	M06x40 8.8 SOCKET HEAD MACH SCREW / VIS CHC M06x40 8.8 BI FT	
6	000051	4	M05x45 8.8 SOCKET HEAD CAPSCREW / VIS CHC M05x45 8.8 BI FP	
7	100004	2	M06x45 8.8 HEX HEAD MACHINE SCREW / VIS H M06x45 8.8 BI FT	
8	100027	3	M06x12 8.8 HEX HEAD MACHINE SCREW / H M06x12 8.8 BI FT	
9	110002	8	M05 GR. 8.8 LOCK NUT / ECROU FREIN M5 CL08 BI	
10	110003	6	M06 GR. 8.8 LOCK NUT / ECROU FREIN M6 CL08 BI	
11	110041	5	NUT,M6 EXTENSION / ECROU RALLONGE M6	
12	120002	8	M05 WASHER / RONDELLE M05 BI	
13	120009	16	LOCK WASHER D06x14 / RONDELLE CONTACT dD 06x14 BI	
14	130007	3	Ø4.8x13 SHEET METAL SCREW / VIS AUTOTARAUDEUSE D4.8-13 BI	
15	1321293	1	CLAMP,CABLE / COLLIER ISOLE	
16	1001258232	3	RIVET,NUT M6 / ECROU RIVET M6	
17	400010	0.8 m	HOSE GUARD / GAINE	
18	400012	5	PAIR 1/2 SHELL PLATE T1 / PLAQUE DE SERRAGE T1	
19	400018	10	CLAMP,TWIN 12-12 PP,BLK / COLLIER DOUBLE D12	
20	400037	5	CLAMP,TWIN 10-10 PP,BLK / COLLIER DOUBLE D10	
21	400046	2	CLAMP,TWIN 12-12 PP,BLK / COLLIER DOUBLE D12	
22	400047	2	CLAMP,SINGLE D12,BLK / COLLIER SIMPLE D12	
23	400092	7	CLAMP,TWIN 15-12 PP,BLK / COLLIER DOUBLE D12.7 / D15	
24	400096	3	CLAMP,DIA. 28mm / COLLIER D28 mm	
25	DL0828	1	BRACKET,POWER TRACK SUPPORT / SOUTIEN DE CHAINE PORTE-CABLES	
26	ST0838	1	POWER TRACK 27LINKS / CHAINE PORTE-CABLES 27 MAILLONS	
26A	920052	x	POWER TRACKS LINK / MAILLON CHAINE PORTE-CABLES	
27	ST1326	2	POWER TRACK 44 LINKS / CHAINE PORTE-CABLES 44 MAILLONS	
27A	920042	x	POWER TRACKS LINK / MAILLON CHAINE PORTE-CABLES	
27B	920045	x	POWER TRACKS PIN PG305 / AXE CHAINE PORTE-CABLES PG305	
27C	920046	x	POWER TRACKS COVER / CAPOT CHAINE PORTE-CABLES	
27D	920073	x	POWER TRACKS ATTACHMENT KIT SR305 / KIT ATTACHES CHAINE PORTE-CABLES SR305	
28	ST1328	1	ROTARY POWER TRACK / CHAINE PORTE-CABLES CIRCULAIRE (Prior to SN A300039347)	
28A	920002	x	ROTARY POWER TRACKS LINK / MAILLON DE CHAINE CIRCULAIRE (Prior to SN A300039347)	
28B	920008	x	ROTARY POWER TRACKS COVER / CLIP CHAINE	

SECTION 6 - POWER TRACKS AND CLAMPS INSTALL / INSTALLATION CHAINES PORTE CABLES

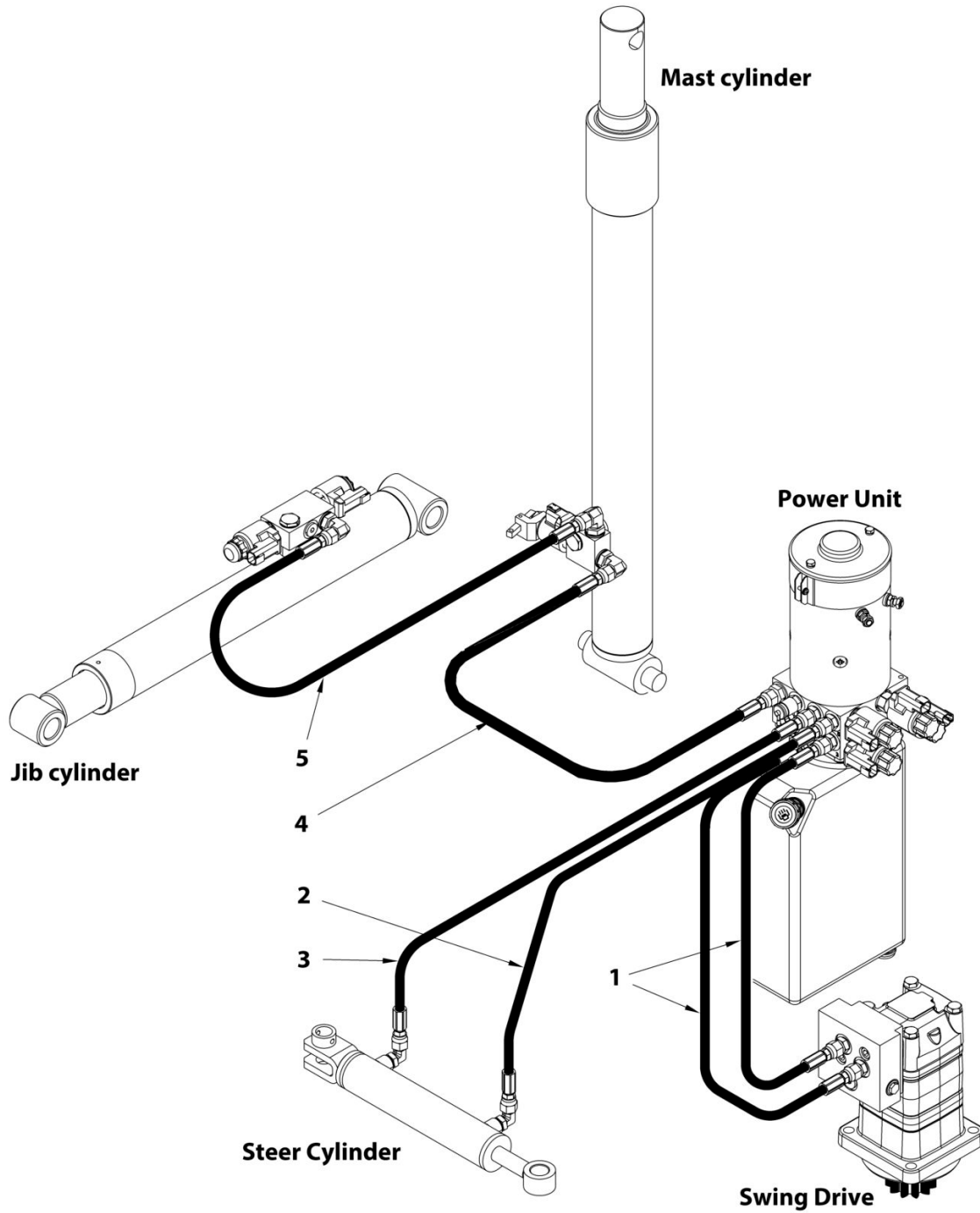
ITEM	PART NUMBER	QTY	DESCRIPTION	REV
28	1001239742	1	CIRCULAIRE (Prior to SN A300039347) POWER TRACK,CIRCULAR POWER BRIDGE / CHAINE PORTE- CABLES CIRCULAIRE (SN A300039347 to Present)	
28A	1001248510	x	POWER TRACK,LINK / MAILLON DE CHAINE CIRCULAIRE (SN A300039347 to Present)	
28B	1001248511	x	POWER TRACK,COVER / CLIP CHAINE CIRCULAIRE (SN A300039347 to Present)	
28C	1001248513	x	POWER TRACK,ATTACHMENT / ATTACHE CHAINE CIRCULAIRE (SN A300039347 to Present)	
29	ST3216	1	PLATE,POWER TRACK HOOK / SOUTIEN DE CHAINE PORTE- CABLES (Prior to SN A300039347)	
29	1001239741	1	PLATE,POWER TRACK HOOK / SOUTIEN DE CHAINE PORTE- CABLES (SN A300039347 to Present)	
30	ST3219	2	PLATE,CABLES KEEPER / BRIDE DE CABLES	
31	ST3781	1	SHIELD,CABLE PROTECT,JIB / TOLE DE PROTECTION	
32	000077	1	M06x35 8.8 SOCKET HEAD CAPSCREW / VIS CHC M06x35 8.8 BI FP	
33	000030	4	M05x35 8.8 SOCKET HEAD CAPSCREW / VIS CHC M05x35 8.8 BI FP	
34	000026	1	M06x50 8.8 SOCKET HEAD CAPSCREW / VIS CHC M06x50 8.8 BI FP	

SECTION 7 - HYDRAULIC INSTALL / INSTALLATION HYDRAULIQUE

SECTION 7 - HYDRAULIC INSTALL / INSTALLATION HYDRAULIQUE

SECTION 7 - HYDRAULIC INSTALL / INSTALLATION HYDRAULIQUE

FIGURE 7-1. HOSES KIT DIAGRAM / SCHEMA KIT FLEXIBLES



ART_KT0143

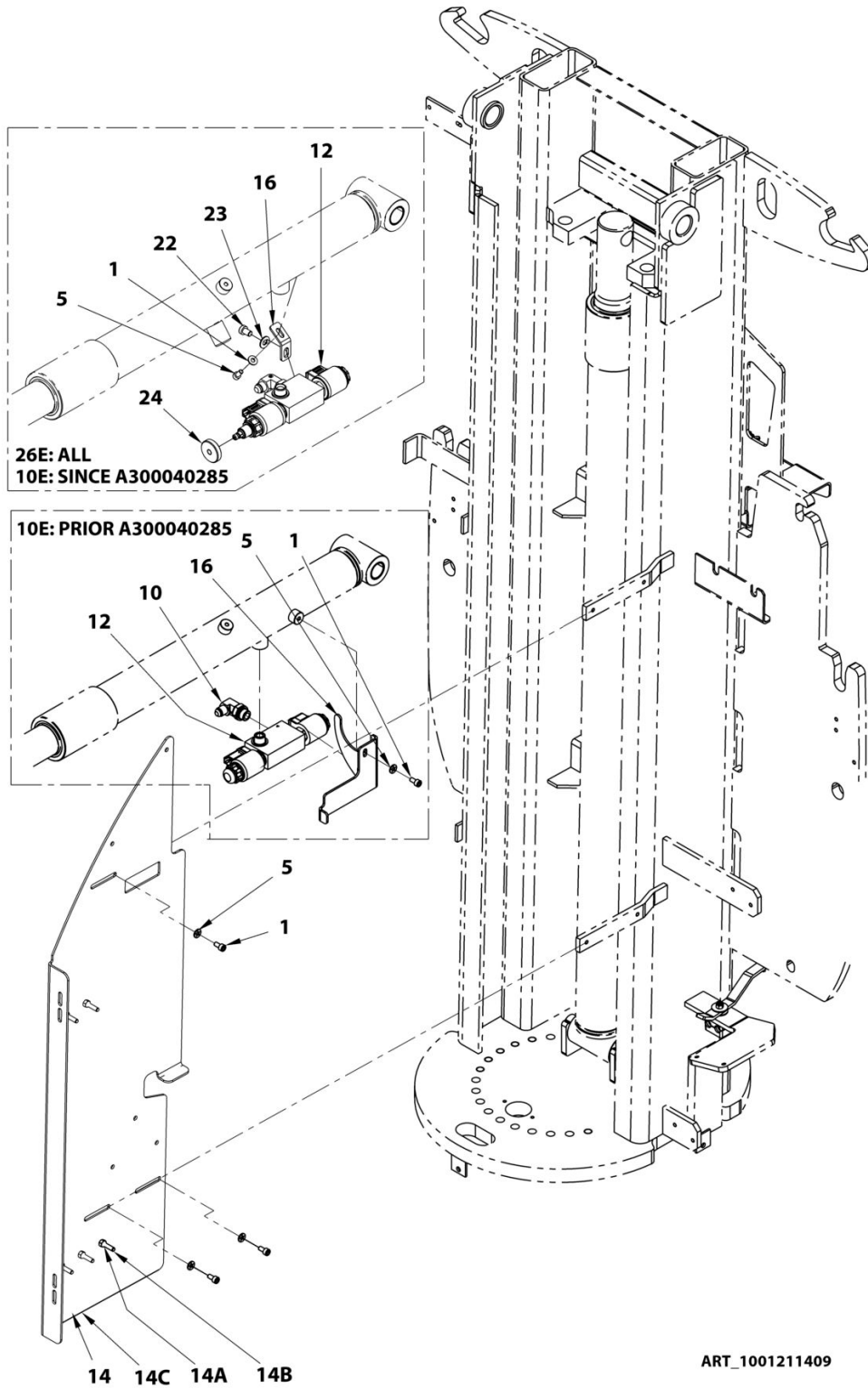
SECTION 7 - HYDRAULIC INSTALL / INSTALLATION HYDRAULIQUE

FIGURE 7-1. HOSES KIT DIAGRAM / SCHEMA KIT FLEXIBLES

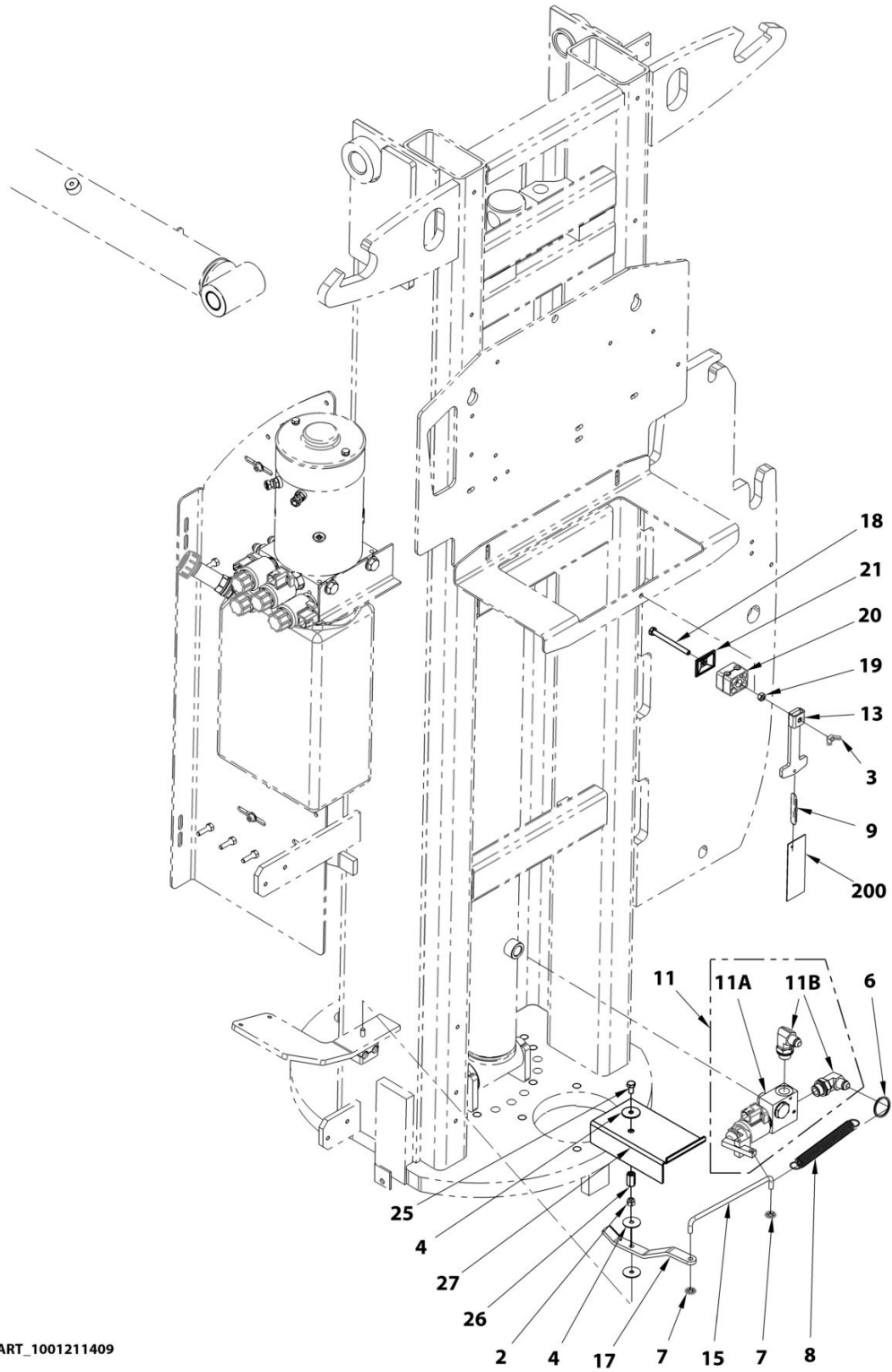
ITEM	PART NUMBER	QTY	DESCRIPTION	REV
	KT0143	1	HOSES KIT / KIT FLEXIBLES	
1	DF0269	2	HOSE 1/4-0150cm-JIC Fem 9/16-JIC Fem 9/16 / FLEXIBLE 1/4-0150cm-JIC Fem 9/16-JIC Fem 9/16	
2	DF0710	1	HOSE 1/4-0410cm-JIC Fem 9/16-JIC Fem 9/16-Yel-Blu / FLEXIBLE 1/4-0410cm-JIC Fem 9/16-JIC Fem 9/16-Jau-Ble	
3	DF0975	1	HOSE 1/4-0380cm-JIC Fem 9/16-JIC Fem 9/16 / FLEXIBLE 1/4-0380cm-JIC Fem 9/16-JIC Fem 9/16	
4	DF0976	1	HOSE 5/16-0200cm-JIC Fem 9/16-JIC Fem 9/16 / FLEXIBLE 5/16-0200cm-JIC Fem 9/16-JIC Fem 9/16	
5	DF0977	1	HOSE 5/16-0880cm-JIC Fem 9/16-JIC Fem 9/16 / FLEXIBLE 5/16-0880cm-JIC Fem 9/16-JIC Fem 9/16	

SECTION 7 - HYDRAULIC INSTALL / INSTALLATION HYDRAULIQUE

FIGURE 7-2. CONTROL VALVES INSTALL / INSTALLATION DISTRIBUTEURS



SECTION 7 - HYDRAULIC INSTALL / INSTALLATION HYDRAULIQUE



ART_1001211409

SECTION 7 - HYDRAULIC INSTALL / INSTALLATION HYDRAULIQUE

FIGURE 7-2. CONTROL VALVES INSTALL / INSTALLATION DISTRIBUTEURS

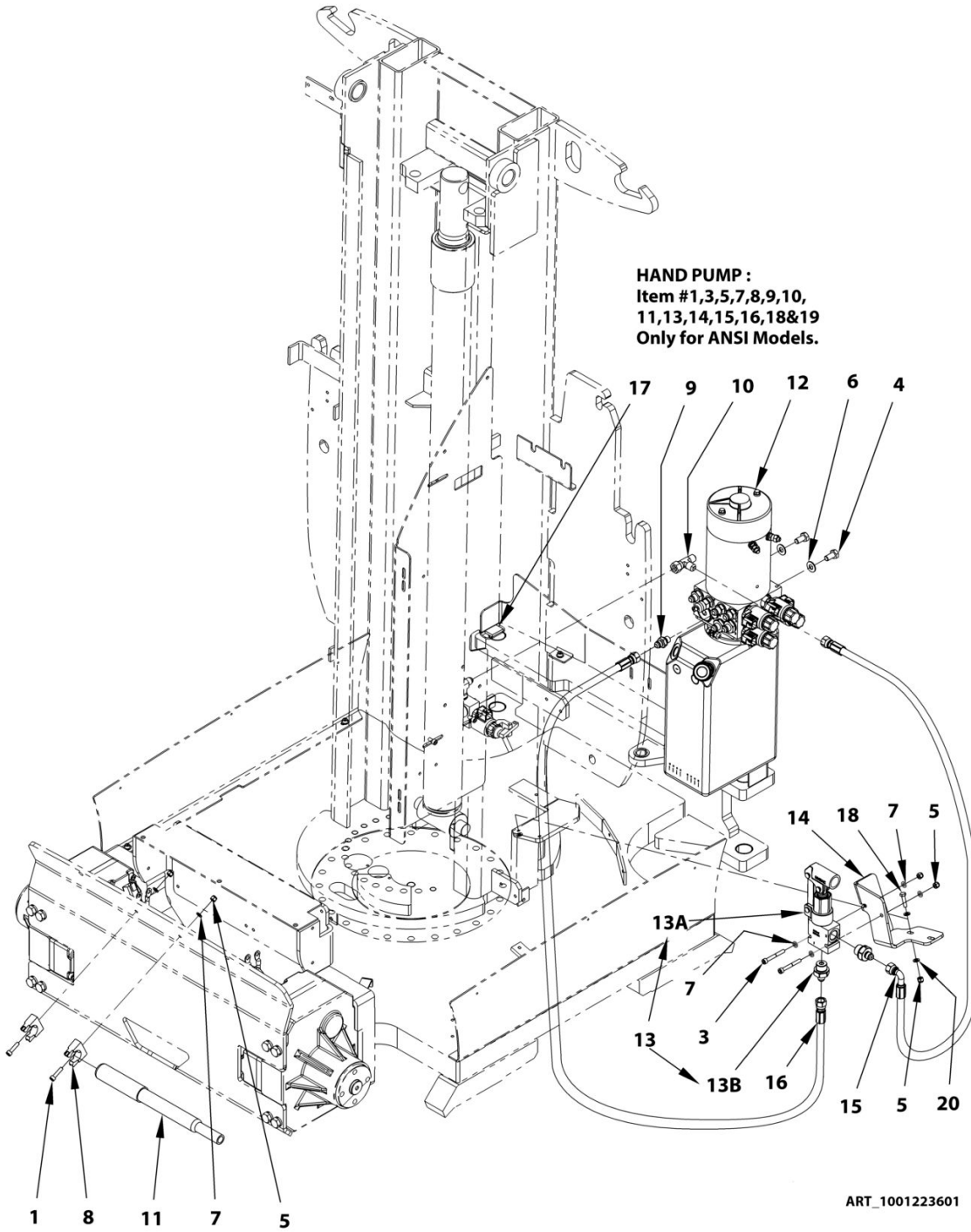
ITEM	PART NUMBER	QTY	DESCRIPTION	REV
	1001211409	Ref	CONTROL VALVES INSTALL / INSTALLATION DISTRIBUTEURS	D
1	000014	4	M06x12 8.8 SOCKET HEAD MACH SCREW / VIS CHC M06x12 8.8 BI FT	
2	110003	1	M06 GR. 8.8 LOCK NUT / ECROU FREIN M6 CL08 BI	
3	110042	1	WING NUT, M6 / ECROU A OREILLE M6	
4	120004	3	dD 06x25x1.2 WASHER / RONDELLE dD 06x25x1.2 BI	
5	120009	4	LOCK WASHER D06x14 / RONDELLE CONTACT dD 06x14 BI	
6	140014	1	LOCKING PIN RING / ANNEAU INDEX	
7	140024	2	WASHER-SPEC,PUSH-ON RETAINING / RONDELLE AUTO-BLOQUANTE D6	
8	160018	1	SPRING,TRACTION 160 140 1000 I / RESSORT DE TRACTION 160 140 1000 I	
9	190077	1	CHAIN,METAL BALL / CHAINE A BILLES METAL	
10	300061	1	90° ELBOW MALE BSPP 3/8-MALE JIC 9/16 / COUDE 90° MALE BSPP3/8-MALE JIC9/16 (Prior to SN A300040885)	
11	1001216725	1	VALVE ASSY,MAST CYL / ASSEMBLAGE DISTRIBUTEUR VERIN MAT	
11A	520115	1	VALVE,MAST CYL. HOLDING W/ FLOW REG,HYDAC / DIST. VERIN MAT AVEC REGULATEUR DE DEBIT	
11B	300061	2	90° ELBOW MALE BSPP 3/8-MALE JIC 9/16 / COUDE 90° MALE BSPP3/8-MALE JIC9/16	
12	520116	1	VALVE ASSY,JIB CYL / ASSEMBLAGE DISTRIBUTEUR VERIN BRAS (Prior to SN A300040885)	
12	1001222936	1	VALVE ASSY,JIB CYL / ASSEMBLAGE DISTRIBUTEUR VERIN BRAS (SN A300040885 to Present)	
13	DL0911	1	LEVER,BREAKDOWN CONTROLS / LEVIER DE CONTROLE SECOURS	
14	SE1204	1	HINGE MOUNT PLATE WITH STUDS / SUPPORT CHARNIERES AVEC GOUJONS	
14A	110015	6	M06 GR. 8.8 HEX NUT / ECROU H M06 CL08 BI	
14B	130066	6	STUD,SELF-CRIMPING,M6x30 / GOUJON A SERTIR M06x30	
14C	ST3780	1	MOUNT,HINGE / TOLE CHARNIERE	
15	ST3231	1	LINK,MANUAL DESCENT / TRINGLE, DESCENTE MANUELLE	
16	1001216210	1	VALVE GUARD / PROTECTION VALVE VERIN (Prior to SN A300040885)	
16	1001225530	1	VALVE GUARD / PROTECTION VALVE VERIN (SN A300040885 to Present)	
17	ST3703	1	LEVER,MANUAL DESCENT / LEVIER, DESCENTE MANUELLE	
18	100049	1	M06x70 8.8 HEX HEAD MACHINE SCREW / VIS H M06x70 8.8 BI FP	
19	110015	1	M06 GR. 8.8 HEX NUT / ECROU H M06 CL08 BI	
20	400037	1	CLAMP,TWIN 10-10 PP,BLK / COLLIER DOUBLE D10	
21	400012	1	COVER PLATE CLAMP / BRIDE COLLIER	
22	000059	1	M08x12 8.8 SOCKET HEAD MACH SCREW / VIS CHC M08x12 8.8 BI FT	
23	120010	1	LOCK WASHER D08x18 / RONDELLE CONTACT dD 08x18 BI	
24	US0277	1	CYLINDER EMERGENCY BUTTON / BOUTON DE SECOUR VERIN	
25	100027	1	M06x12 8.8 HEX HEAD MACHINE SCREW / VIS H M06x12 8.8 BI FT	
26	110041	1	NUT,M6 h=18mm / ECROU M6 h=18mm	
27	1001237382	1	COVER,MAST MANUAL DESCENT / PROTECTION DESCENTE MAT	

SECTION 7 - HYDRAULIC INSTALL / INSTALLATION HYDRAULIQUE

ITEM	PART NUMBER	QTY	DESCRIPTION	REV
200	AU2215	1	DECAL,SLACK CHAIN DETECTION / AUTOCOLLANT MOU DE CHAINE	

SECTION 7 - HYDRAULIC INSTALL / INSTALLATION HYDRAULIQUE

FIGURE 7-3. TANK AND PUMP INSTALL / INSTALLATION GROUPE HYDRAULIQUE



ART_1001223601

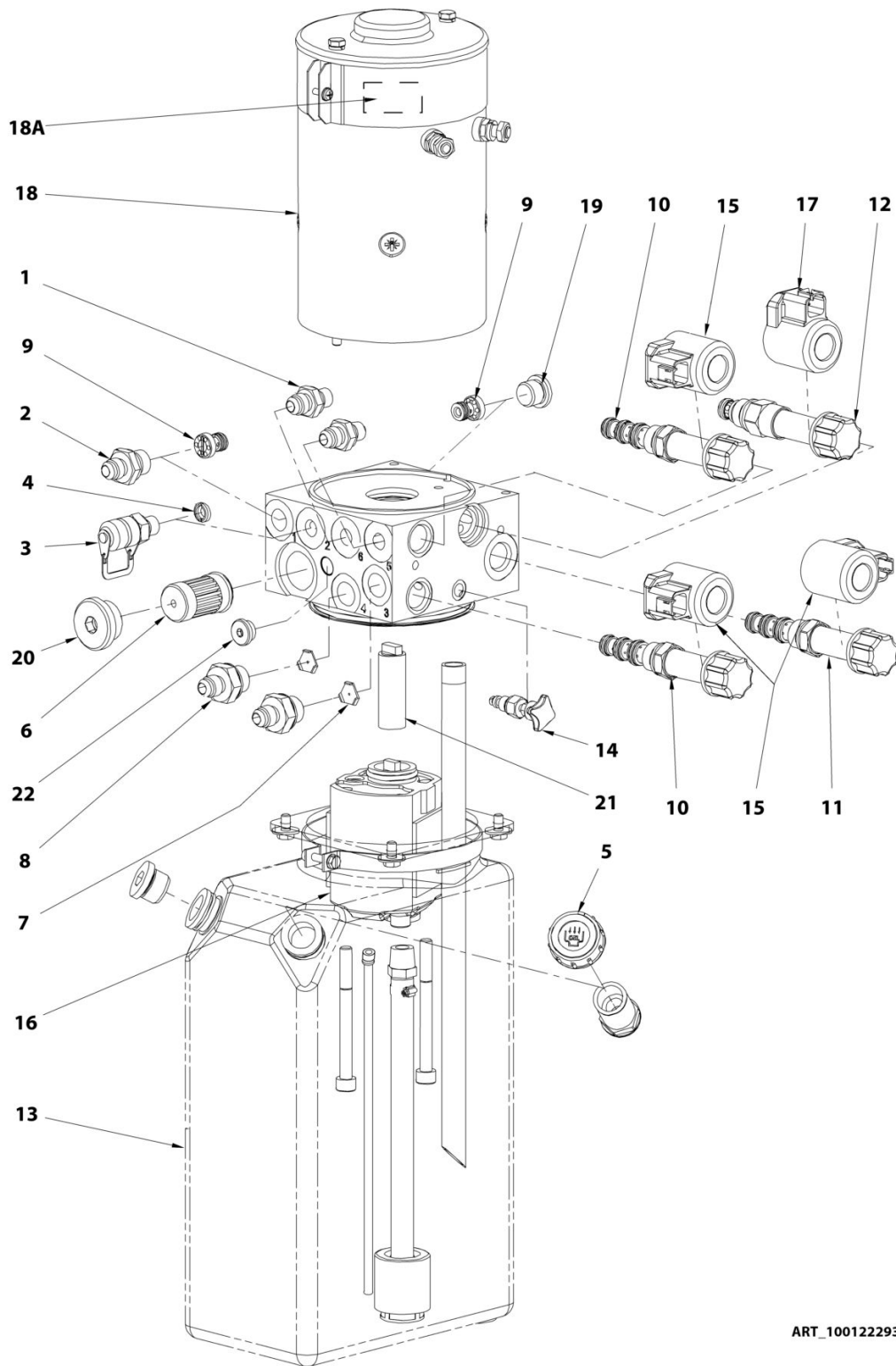
SECTION 7 - HYDRAULIC INSTALL / INSTALLATION HYDRAULIQUE

FIGURE 7-3. TANK AND PUMP INSTALL / INSTALLATION GROUPE HYDRAULIQUE

ITEM	PART NUMBER	QTY	DESCRIPTION	REV
	1001223601	Ref	26E-INSTALL,TANK & PUMP (HAND PUMP) / 26E-INSTALLATION GROUPE (POMPE A MAIN)	C
1	000008	2	M06x25 8.8 SOCKET HEAD MACH SCREW / VIS CHC M06x25 8.8 BI FT	
3	000026	2	M06x50 8.8 SOCKET HEAD CAPSCREW / VIS CHC M06x50 8.8 BI FP	
4	100156	2	M10x20 8.8 HEX HEAD MACHINE SCREW / VIS H M10x20 8.8 BI FT	
5	110003	5	M06 GR. 8.8 LOCK NUT / ECROU FREIN M6 CL08 BI	
6	120011	2	LOCK WASHER D10x22 / RONDELLE CONTACT dD 10x22 BI	
7	120030	6	LOCK WASHER D06x12 / RONDELLE CONTACT dD 06x12 BI	
8	190027	2	Ø22 CLIP / CLIP Ø22	
9	300025	1	FITTING MALE BSPP1/4-MALE JIC9/16 / RACCORD MALE BSPP1/4-MALE JIC9/16	
10	300037	1	RUN TEE JIC 9/16 SWIVEL NUT / TE ECROU TOURNANT JIC 9/16	
11	310109	1	LEVER,HAND PUMP / MANCHE POMPE A MAIN	
12	1001222935	1	PUMP,MOTOR/TANK / GROUPE HYDRAULIQUE	
13	1001222937	1	PUMP,HAND PUMP ASSEMBLY / ASSEMBLAGE POMPE A MAIN	
13A	1001225624	1	PUMP,HAND PUMP / POMPE A MAIN	
13B	300044	2	FITTING MALE BSPP 1/2-MALE JIC 9/16 / RACCORD MALE BSPP 1/2-MALE JIC 9/16	
14	1001223713	1	PLATE,HAND PUMP SUPPORT / SUPPORT POMPE A MAIN	
15	1001223897	1	HOSE,5/16" 105cm-FEM JIC 9/16-90° FEM JIC 9/16 / FLEXIBLE 5/16" 105cm-FEM JIC 9/16-90° FEM JIC 9/16	
16	1001223898	1	HOSE,5/16" 117cm-FEM JIC 9/16 / FLEXIBLE 5/16" 117cm-FEM JIC 9/16	
17	ST3318	1	STOP,RUBBER STICK / BUTEE ELASTIQUE ADHESIVE	
18	100012	1	M06x25 8.8 HEX HEAD MACH SCREW / VIS H M06x25 8.8 BI FT	
20	120016	2	WASHER D06x12 / RONDELLE D06x12	
	1001211321	Ref	10E-INSTALL,TANK & PUMP (W/O HAND PUMP) / 10E-INSTALLATION GROUPE (SANS POMPE A MAIN)	B
4	100156	2	M10x20 8.8 HEX HEAD MACHINE SCREW / VIS H M10x20 8.8 BI FT	
6	120011	2	LOCK WASHER D10x22 / RONDELLE CONTACT dD 10x22 BI	
12	1001222935	1	PUMP,MOTOR/TANK / GROUPE HYDRAULIQUE	
17	ST3318	1	STOP,RUBBER STICK / BUTEE ELASTIQUE ADHESIVE	

SECTION 7 - HYDRAULIC INSTALL / INSTALLATION HYDRAULIQUE

FIGURE 7-4. PUMP-MOTOR-TANK ASSEMBLY / GROUPE HYDRAULIQUE



ART_1001222935

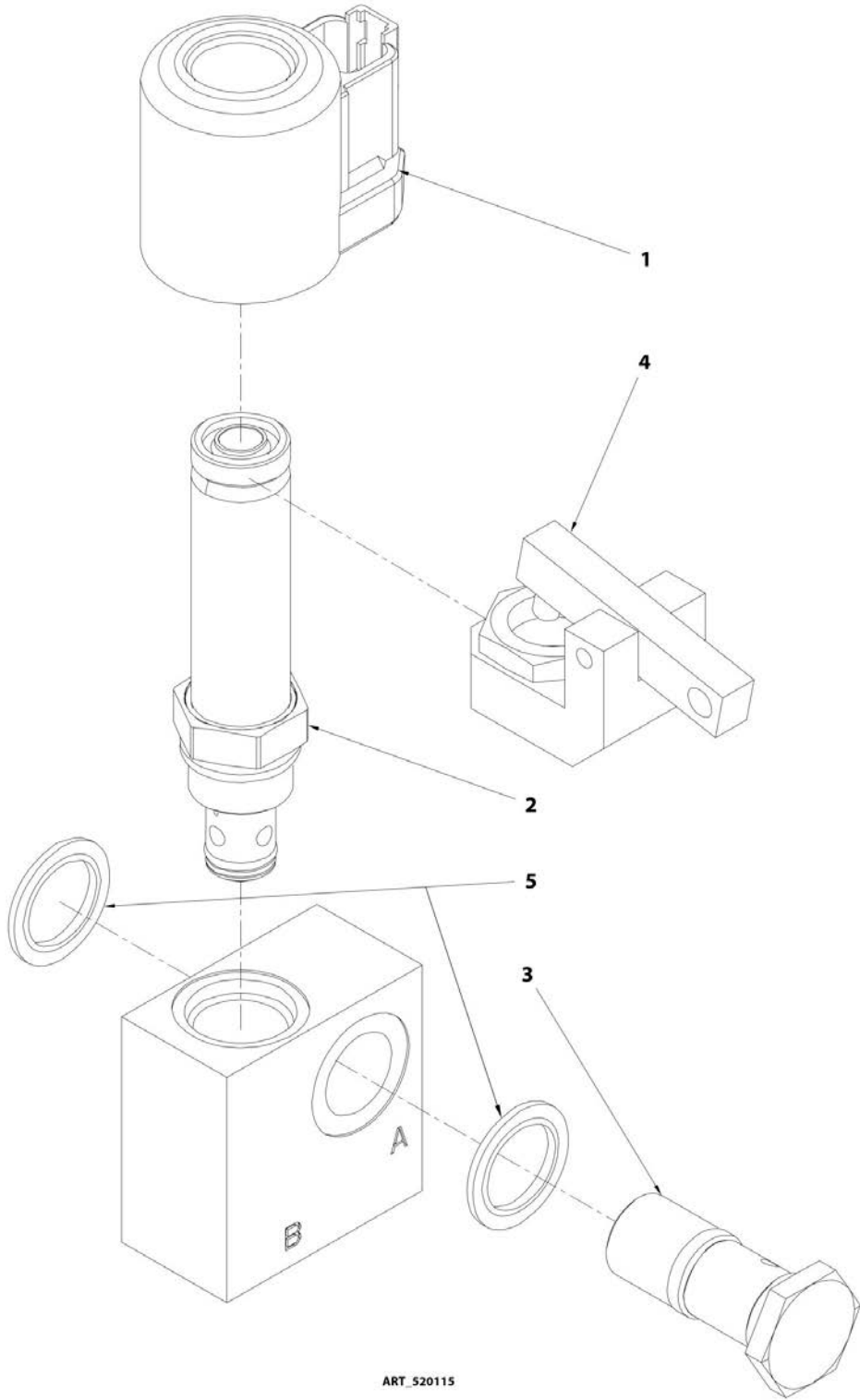
SECTION 7 - HYDRAULIC INSTALL / INSTALLATION HYDRAULIQUE

FIGURE 7-4. PUMP-MOTOR-TANK ASSEMBLY / GROUPE HYDRAULIQUE

ITEM	PART NUMBER	QTY	DESCRIPTION	REV
	1001222935		PUMP, -MOTOR-TANK ASSEMBLY / GROUPE HYDRAULIQUE	C
1	300025	2	FITTING MALE BSPP1/4-MALE JIC9/16 / RACCORD MALE BSPP1/4-MALE JIC9/16	
2	300040	1	FITTING MALE BSPP3/8 MALE JIC9/16 / RACCORD MALE BSPP3/8 MALE JIC9/16	
3	300101	1	PRESSURE TEST PLUG BSPP1/4 / PRISE DE PRESSION BSPP1/4	
4	310091	1	SEEVE 1/4 BSPP MESH 0.1mm / TAMIS 1/4 BSPP MAILLE 0.1mm	
5	310103	1	BREATHER CAP / BOUCHON-RENIFLARD	
6	930134	1	FILTER, CARTRIDGE,10µm / ELEMENT FILTRANT 10µm	
7	930135	2	VALVE, JET / LIMITEUR DE DEBIT	
8	930136	2	ADPT, ST S JIC/MPP 6-M18 FG / RACCORD M18x150 JIC 9/16	
9	930138	2	CHECK VALVE / CLAPET A BILLE	
10	952094	2	4/2 SOLENOÏD DIRECTIONAL VALVEWK08Z / DISTRIBUTEUR 4/2 WK08Z	
11	952095	1	4/2 SOLENOÏD DIRECTIONAL VALVEWK08Y / DISTRIBUTEUR 4/2 WK08Y	
12	952096	1	PROPORTIONAL RELIEF VALVE-PDB08P / LIMITEUR DE PRESSION PROPORTIONNEL PDB08P	
13	952097	1	TANK, PLASTIC_6 LITERS / RESERVOIR PLASTIQUE 6 Litres	
14	952098	1	VALVE, NEEDLE,BUILD_IN / ROBINET	
15	952099	3	COIL, 24VDC_3012599 / BOBINE 24VDC_3012599	
16	952100	1	PUMP, GEAR PUMP 3, 1CC/REV / POMPE 3.1CC/Tr	
17	952101	1	COIL, 24VADC_3110057 / BOBINE 24VADC_3110057	
18	970065	1	MOTOR, 24VDC 3KW, AMK5542 / MOTEUR, 24VDC 3KW,AMK5542	
18A	951034	1	BRUSH KIT FOR AMK 5542 / KIT BALAIS DE CHARBON AMK 5542	
19	300047	1	CAP BSPP 3/8 / BOUCHON BSPP 3/8	
20	952108	1	FITTING,CAP M27x0.75 / BOUCHON M27x0.75	
21	1001215691	1	COUPLING,PUMP / MOTOR / ACCOUPLEMENT POMPE / MOTEUR	
22	300034	1	CAP MALE BSPP 1/4" / BOUCHON MALE BSPP 1/4"	

SECTION 7 - HYDRAULIC INSTALL / INSTALLATION HYDRAULIQUE

FIGURE 7-5. VALVE ASSY,MAST CYLINDER / ASSEMBLAGE DISTRIBUTEUR VERIN MAT



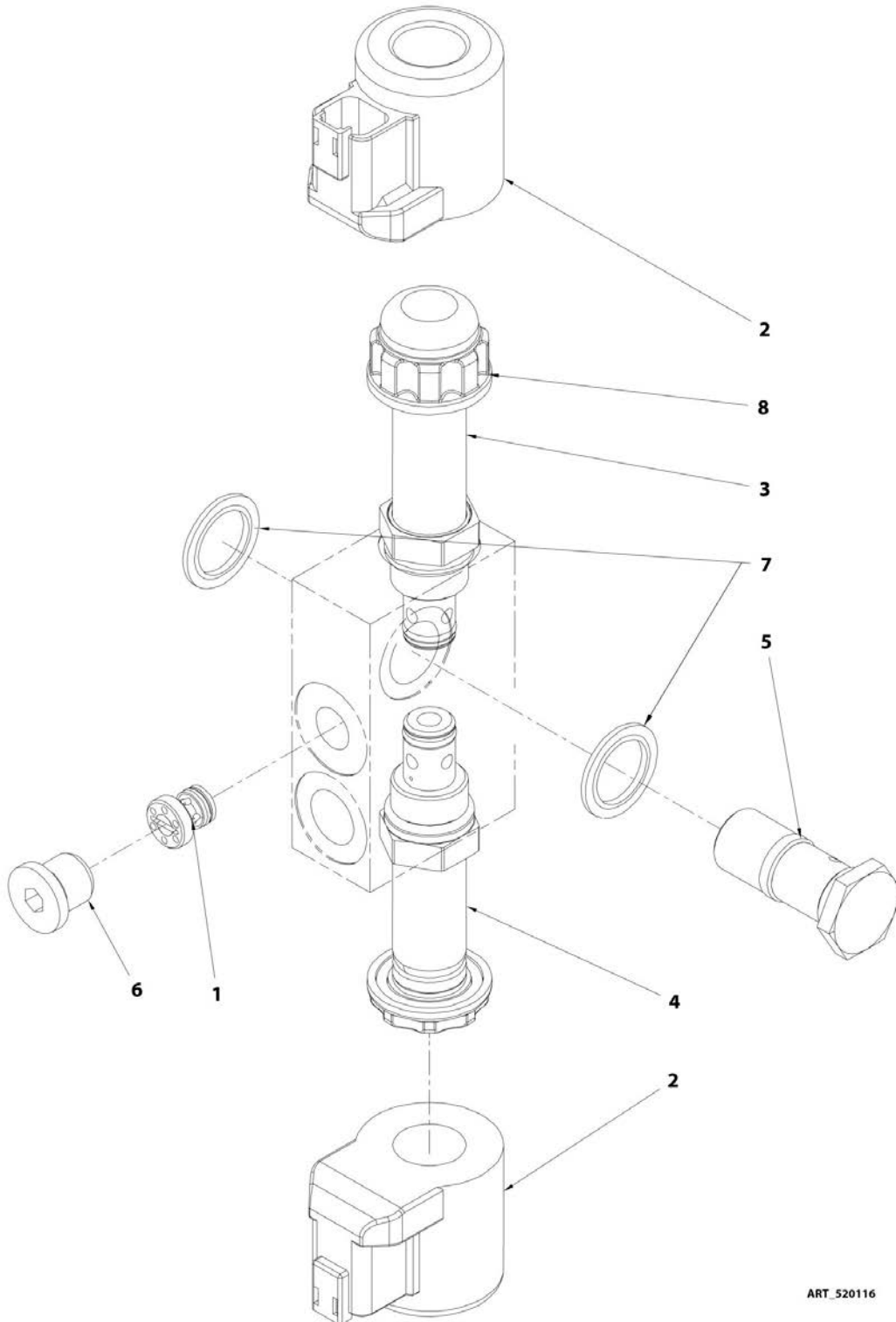
SECTION 7 - HYDRAULIC INSTALL / INSTALLATION HYDRAULIQUE

FIGURE 7-5. VALVE ASSY,MAST CYLINDER / ASSEMBLAGE DISTRIBUTEUR VERIN MAT

ITEM	PART NUMBER	QTY	DESCRIPTION	REV
	520115		VALVE, CYL. HOLDING WITH FLOW REGULATOR / DIST. VERIN AVEC REGULATEUR DE DEBIT	C
1	952099	1	COIL, 24VDC_3012599 / BOBINE 24VDC_3012599	
2	952102	1	2/2 SOLENOİD DIRECTIONAL VALVE / DISTRIBUTEUR 2/2 WS08W	
3	952104	1	VALVE, FLOW REGULATOR-9L/MN / REGULATEUR DE DEBIT 9L/MN	
4	952106	1	MANUAL OVERRIDE SUPPORT, / COMMANDE MANUELLE	
5	952107	2	BS RING_HN48-10-U 16x24.7x1.5 St/NBR / BAGUE BS HN48-10- U 16x24.7x1.5 St/NBR	

SECTION 7 - HYDRAULIC INSTALL / INSTALLATION HYDRAULIQUE

FIGURE 7-6. VALVE ASSY, JIB CYLINDER / ASSEMBLAGE DISTRIBUTEUR VERIN BRAS (Prior to SN A300040285)



ART_520116

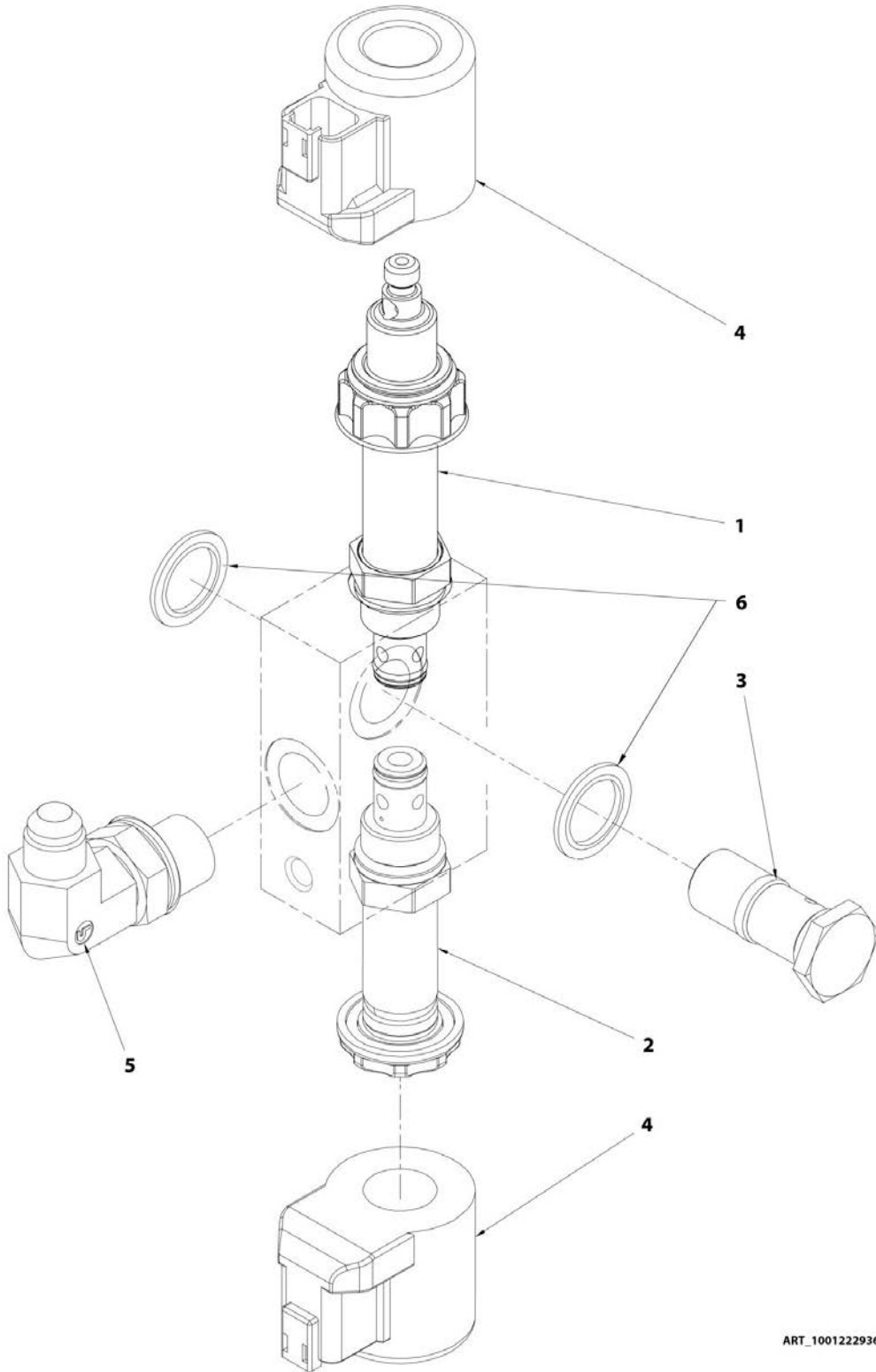
SECTION 7 - HYDRAULIC INSTALL / INSTALLATION HYDRAULIQUE

FIGURE 7-6. VALVE ASSY,JIB CYLINDER / ASSEMBLAGE DISTRIBUTEUR VERIN BRAS (Prior to SN A300040285)

ITEM	PART NUMBER	QTY	DESCRIPTION	REV
1	930137	1	CHECK VALVE / CLAPET A BILLE	
2	952099	2	COIL, 24VDC_3012599 / BOBINE 24VDC_3012599	
3	952102	1	2/2 SOLENOİD DIRECTIONAL VALVE WS08W / DISTRIBUTEUR 2/2 WS08W	
4	952103	1	2/2 SOLENOİD DIRECTIONAL VALVE WS08Z / DISTRIBUTEUR 2/2 WS08Z	
5	952105	1	VALVE, FLOW REGULATOR-5L/MN / REGULATEUR DE DEBIT 5L/MN	
6	300034	1	CAP MALE BSPP 1/4" / BOUCHON MALE BSPP 1/4"	
7	952107	2	BS RING_HN48-10-U 16x24.7x1.5 St/NBR / BAGUE BS HN48-10-U 16x24.7x1.5 St/NBR	
8	952157	1	CAP,PUSH BUTTON VALVE NUT / ECROU BOUCHON DISTRIBUTEUR	

SECTION 7 - HYDRAULIC INSTALL / INSTALLATION HYDRAULIQUE

FIGURE 7-7. VALVE ASSY,JIB CYLINDER / ASSEMBLAGE DISTRIBUTEUR VERIN BRAS (SN A300040285 to Present)



ART_1001222936

SECTION 7 - HYDRAULIC INSTALL / INSTALLATION HYDRAULIQUE

FIGURE 7-7. VALVE ASSY,JIB CYLINDER / ASSEMBLAGE DISTRIBUTEUR VERIN BRAS (SN A300040285 to Present)

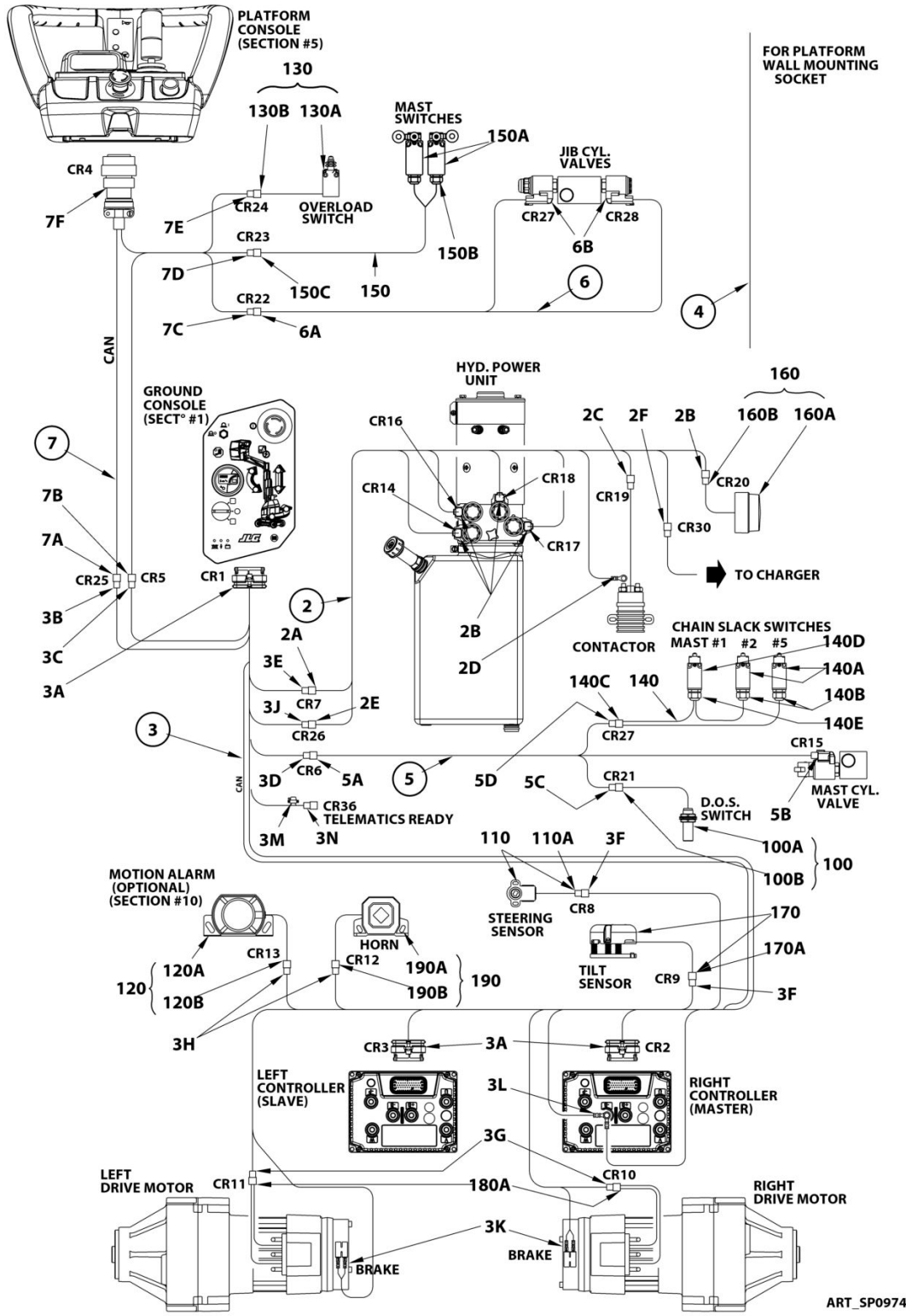
ITEM	PART NUMBER	QTY	DESCRIPTION	REV
	1001222936	1	VALVE ASSY,JIB CYLINDER / ASSEMBLAGE DISTRIBUTEUR VERIN BRAS (SN A300058301 to Present)	
1	1001225133	1	DIRECTIONAL VALVE 2/2 NC / VALVE DIRECTIONNELLE 2/2 NC	
2	1001225159	1	DIRECTIONAL VALVE 2/2 NC / VALVE DIRECTIONNELLE 2/2 NC	
3	1001225157	1	SCREW SRH G3/8 / VIS SRH G3/8	
4	952099	2	COIL, 24VDC_3012599 / BOBINE 24VDC_3012599	
5	300061	1	90° ELBOW MALE BSPP 3/8-MALE JIC 9/16 / COUDE 90° MALE BSPP3/8-MALE JIC9/16	
6	952107	2	BS RING_HN48-10-U 16x24.7x1.5 St/NBR / BAGUE BS HN48-10-U 16x24.7x1.5 St/NBR	

SECTION 8 - ELECTRICAL SYSTEM INSTALL / INSTALLATION ELECTRIQUE

**SECTION 8 - ELECTRICAL SYSTEM INSTALL / INSTALLATION
ELECTRIQUE**

SECTION 8 - ELECTRICAL SYSTEM INSTALL / INSTALLATION ELECTRIQUE

FIGURE 8-1. CABLES AND SWITCHES INSTALL DIAGRAM / DIAGRAMME D'INSTALLATION CABLES ET CAPTEURS



ART_SP0974

SECTION 8 - ELECTRICAL SYSTEM INSTALL / INSTALLATION ELECTRIQUE

FIGURE 8-1. CABLES AND SWITCHES INSTALL DIAGRAM / DIAGRAMME D'INSTALLATION CABLES ET CAPTEURS

ITEM	PART NUMBER	QTY	DESCRIPTION	REV
	1001211413	Ref	INSTALL,CABLES / INSTALLATION CABLES	
1	1001213899	1	KIT,POWER CABLES (SEE NEXT FIGURE) / KIT CABLES PUISSANCE (VOIR FIGURE SUIVANTE)	
2	1001213970	1	HARNESS,HYDRAULIC UNIT / FAISCEAU CENTRALE HYDRAULIQUE	
2A	4460931	1	CONNECTOR, DEUTSCH DT 8P RECEPTACLE / CONNECTEUR DEUTSCH DT 8P FEMELLE	
2A	4460464	8	CONTACT DEUTSCH DT PIN / CONTACT DEUTSCH DT MALE	
2B	4460891	5 x1	CONNECTOR, DEUTSCH DT 2P PLUG / CONNECTEUR DEUTSCH DT 2P MALE	
2B	4460465	5 x2	CONTACT DEUTSCH DT SOCKET / CONTACT DEUTSCH DT FEMELLE	
2C	4460897	1	CONNECTOR, DEUTSCH DT 2P RECEPTACLE / CONNECTEUR DEUTSCH DT 2P FEMELLE	
2C	4460464	2	CONTACT DEUTSCH DT PIN / CONTACT DEUTSCH DT MALE	
2D	250084	1	M8 EYELET TERMINAL 0.25-1mm ² / COSSE A OEIL ISOLEE M8 - 0.25-1mm ²	
2E	250026	1	RED RECEPTACLE TERM. 6.3 - 0.5-1.2mm ² / COSSE FEMELLE 6.3 ROUGE - 0.5-1.2mm ²	
2F	NOT SERVICEABLE	1	TERMINAL,INSULATE FASTON TAB 1/4- 0.5-1.2mm ² / COSSE MALE 1/4 ROUGE - 0.5-1.2mm ²	
3	1001213729	1	HARNESS,CHASSIS / FAISCEAU CHASSIS	
3A	4460873	3 x1	CONNECTOR, HOUSING AMP 35P / CONNECTEUR AMP 35P	
3A	4460871	3 x35	CONTACT AMPSEAL, SOCKET / CONTACT AMPSEAL, FEMELLE	
3B	4460539	1	CONNECTOR, DEUTSCH DT 3P PLUG / CONNECTEUR DEUTSCH DT 3P MALE	
3B	4460944	3	TERMINAL,16-18 GA SOCKET (GOLD) / CONTACT DUTSCH DT FEMMELLE (OR)	
3C	4460933	1	CONNECTOR, DEUTSCH DT 12P PLUG / CONNECTEUR DEUTSCH DT 12P MALE	
3C	4460465	12	CONTACT DEUTSCH DT SOCKET / CONTACT DEUTSCH DT FEMELLE	
3D	4460894	1	CONNECTOR, DEUTSCH DT 6P PLUG / CONNECTEUR DEUTSCH DT 6P MALE	
3D	4460465	6	CONTACT DEUTSCH DT SOCKET / CONTACT DEUTSCH DT FEMELLE	
3E	4460930	1	CONNECTOR, DEUTSCH DT 8P PLUG / CONNECTEUR DEUTSCH DT 8P MALE	
3E	4460465	8	CONTACT DEUTSCH DT SOCKET / CONTACT DEUTSCH DT FEMELLE	
3F	4460539	2 x1	CONNECTOR, DEUTSCH DT 3P PLUG / CONNECTEUR DEUTSCH DT 3P MALE	
3F	4460465	2 x3	CONTACT DEUTSCH DT SOCKET / CONTACT DEUTSCH DT FEMELLE	
3G	250227	2 x1	CONNECTOR, DEUTSCH DTM 6P PLUG / CONNECTEUR DEUTSCH DTM 6P MALE	
3G	4460928	2 x6	CONTACT DEUTSCH DTM, SOCKET / CONTACT DEUTSCH DTM FEMELLE	
3H	4460891	2 x1	CONNECTOR, DEUTSCH DT 2P PLUG / CONNECTEUR	

SECTION 8 - ELECTRICAL SYSTEM INSTALL / INSTALLATION ELECTRIQUE

ITEM	PART NUMBER	QTY	DESCRIPTION	REV
3H	4460465	2 x2	DEUTSCH DT 2P MALE CONTACT DEUTSCH DT SOCKET / CONTACT DEUTSCH DT FEMELLE	
3J	NOT SERVICEABLE	1	TERMINAL,INSULATE FASTON TAB 1/4- 0.5-1.2mm ² / COSSE MALE 1/4 ROUGE - 0.5-1.2mm ²	
3K	250060	4	RECEPTACLE TERMINAL 4.8 - 0.25-1mm ² / COSSE ISOLEE 4.8 mm 0.25-1 mm ²	
3L	250091	2	M6 EYELET TERMINAL 1-2.5mm ² / COSSE A OEIL ISOLEE M6 - 1-2.5mm ²	
3M	2400060	1	FUSE,HOLDER W/COVER / PORTE FUSIBLE	
3M	8229242	1	FUSE,5 A MINI / FUSIBLE 5A	
3N	4460884	1	PLUG,4-PIN CONNECTOR / CONNECTEUR 4 BROCHES	
3N	4460465	4	CONTACT DEUTSCH DT SOCKET / CONTACT DEUTSCH DT FEMELLE	
3N	1001192401	1	CONNECTOR,DUST CAP / PROTECTION CONNECTEUR	
4	270059	12 m	CABLE 3G2.5mm² Color leads (qty in meters) / CABLE 3G2.5mm² coloré (qté en mètre)	
5	PC0488	1	HARNESS, TURNTABLE / FAISCEAU MAT 1	
5A	4460899	1	CONNECTOR, DEUTSCH DT 6P RECEPTACLE / CONNECTEUR DEUTSCH DT 6P FEMELLE	
5A	4460464	5	CONTACT DEUTSCH DT PIN / CONTACT DEUTSCH DT MALE	
5B	4460891	1	CONNECTOR, DEUTSCH DT 2P PLUG / CONNECTEUR DEUTSCH DT 2P MALE	
5B	4460465	2	CONTACT DEUTSCH DT SOCKET / CONTACT DEUTSCH DT FEMELLE	
5C	4461077	1	CONNECTOR, DEUTSCH DTM 4P PLUG / CONNECTEUR DEUTSCH DTM 4P MALE	
5C	4460928	3	CONTACT DEUTSCH DTM, SOCKET / CONTACT DEUTSCH DTM FEMELLE	
5D	4460932	1	CONNECTOR, DEUTSCH DT 4P RECEPTACLE / CONNECTEUR DEUTSCH DT 4P FEMELLE	
5D	4460464	4	CONTACT DEUTSCH DT PIN / CONTACT DEUTSCH DT MALE	
6	PC0489	1	HARNESS, JIB VALVES / FAISCEAU ELECTROVANNE BRAS	
6A	4460536	1	CONNECTOR, DEUTSCH DT 3P RECEPTACLE / CONNECTEUR DEUTSCH DT 3P FEMELLE	
6A	4460464	3	CONTACT DEUTSCH DT PIN / CONTACT DEUTSCH DT MALE	
6B	4460891	2 x1	CONNECTOR, DEUTSCH DT 2P PLUG / CONNECTEUR DEUTSCH DT 2P MALE	
6B	4460465	2 x2	CONTACT DEUTSCH DT SOCKET / CONTACT DEUTSCH DT FEMELLE	
7	PC0603	1	HARNESS,UCB / FAISCEAU BOITIER HAUT	
7A	4460536	1	CONNECTOR, DEUTSCH DT 3P RECEPTACLE / CONNECTEUR DEUTSCH DT 3P FEMELLE	
7A	4460943	3	TERMINAL,16-18 GA PIN (GOLD) / CONTACT DEUTSCH DT MALE (OR)	
7B	4460970	1	CONNECTOR, DEUTSCH DT 12P RECEPTACLE / CONNECTEUR DEUTSCH DT 12P FEMELLE	
7B	4460464	12	CONTACT DEUTSCH DT PIN / CONTACT DEUTSCH DT MALE	
7C	4460539	1	CONNECTOR, DEUTSCH DT 3P PLUG / CONNECTEUR DEUTSCH DT 3P MALE	
7C	4460465	3	CONTACT DEUTSCH DT SOCKET / CONTACT DEUTSCH DT FEMELLE	

SECTION 8 - ELECTRICAL SYSTEM INSTALL / INSTALLATION ELECTRIQUE

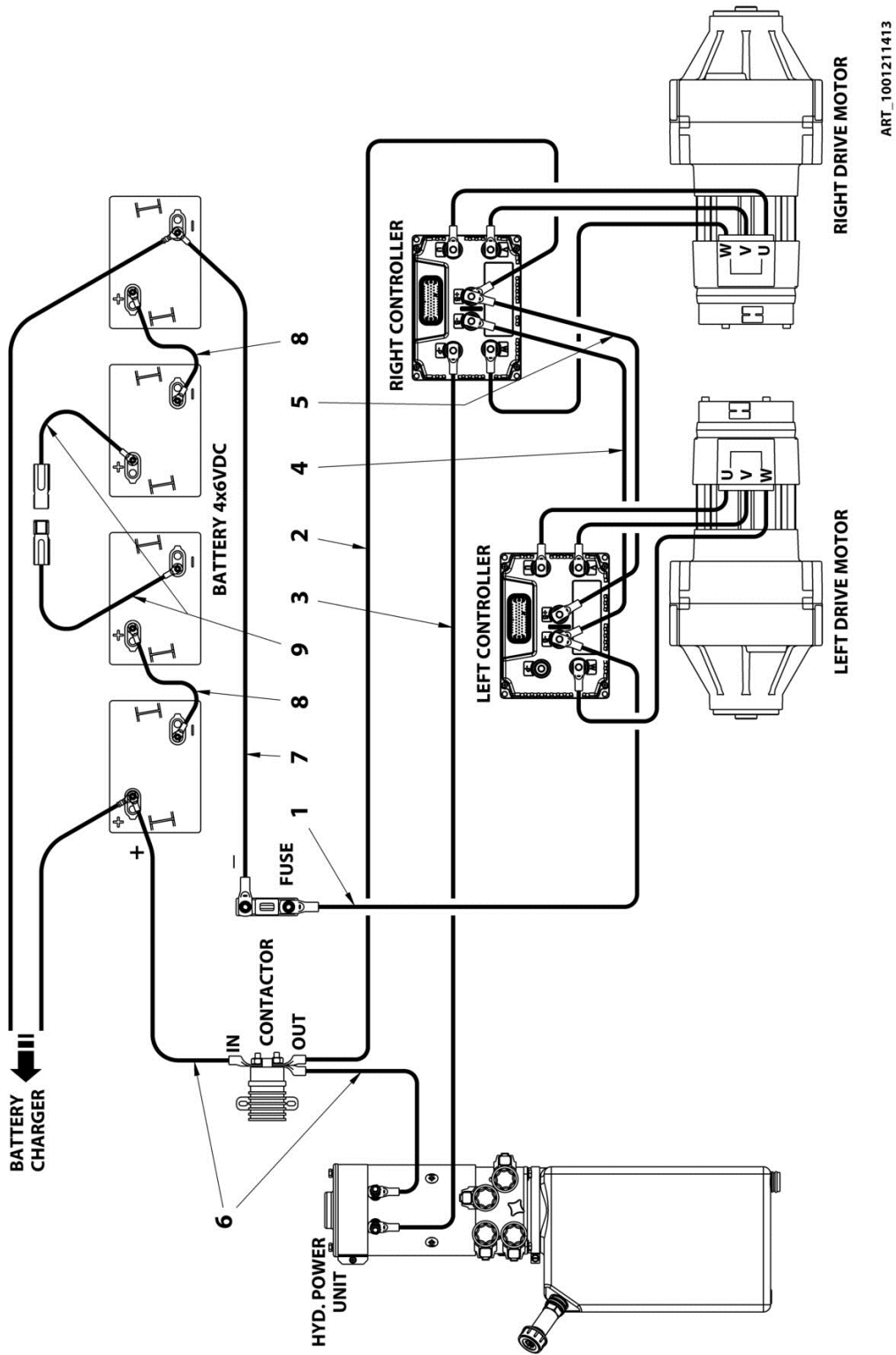
ITEM	PART NUMBER	QTY	DESCRIPTION	REV
7D	4460899	1	CONNECTOR, DEUTSCH DT 6P RECEPTACLE / CONNECTEUR DEUTSCH DT 6P FEMELLE	
7D	4460464	6	CONTACT DEUTSCH DT PIN / CONTACT DEUTSCH DT MALE	
7E	4460932	1	CONNECTOR, DEUTSCH DT 4P RECEPTACLE / CONNECTEUR DEUTSCH DT 4P FEMELLE	
7E	4460464	4	CONTACT DEUTSCH DT PIN / CONTACT DEUTSCH DT MALE	
7F	4460754	1	CONNECTOR, DEUTSCH HD 14P PLUG / CONNECTEUR DEUTSCH HD 14P MALE	
7F	4460465	12	CONTACT DEUTSCH DT SOCKET / CONTACT DEUTSCH DT FEMELLE	
7F	4460944	2	TERMINAL, 16-18 GA SOCKET (GOLD) / CONTACT DEUTSCH DT FEMELLE (OR)	
100	4000008	1	PROXIMITY SENSOR ASSEMBLY / FAISCEAU DETECTEUR DE PROXIMITE	
100A	4000007	1	SENSOR, PROXIMITY / DETECTEUR DE PROXIMITE	
100B	4461076	1	CONNECTOR, DEUTSCH DTM 4P RECEPTACLE / CONNECTEUR DEUTSCH DTM 4P FEMELLE	
100B	4460917	4	CONTACT DEUTSCH DTM, GOLD PIN / CONTACT DEUTSCH DTM MALE DORE	
110	4360505	1	ROTARY ANGLE SENSOR / CAPTEUR D'ANGLE	
110A	4460536	1	CONNECTOR, DEUTSCH DT 3P RECEPTACLE / CONNECTEUR DEUTSCH DT 3P FEMELLE	
110A	4460464	3	CONTACT DEUTSCH DT PIN / CONTACT DEUTSCH DT MALE	
120	PC0466	1	HARNESS, MOTION ALARM / FAISCEAU ALARME DE MOUVEMENT	
120A	260275	1	ACCOUSTIC MOTION ALARM / ALARME DE MOUVEMENT SONORE	
120B	4460897	1	CONNECTOR, DEUTSCH DT 2P RECEPTACLE / CONNECTEUR DEUTSCH DT 2P FEMELLE	
120B	4460464	2	CONTACT DEUTSCH DT PIN / CONTACT DEUTSCH DT MALE	
130	PC0468	1	HARNESS, LOAD SENSING SWITCH / FAISCEAU CAPTEUR DE SURCHARGE	
130A	260321	1	LIMIT SWITCH, SNAP ACTION / DETECTEUR DE POSITION A POUSSOIR	
130B	4460884	1	CONNECTOR, DEUTSCH DT 4P PLUG / CONNECTEUR DEUTSCH DT 4P MALE	
130B	4460465	4	CONTACT DEUTSCH DT SOCKET / CONTACT DEUTSCH DT FEMELLE	
140	PC0469	1	HARNESS, CHAIN SLACK SWITCHES / FAISCEAU CAPTEURS MOU DE CHAINE	
140A	260327	2	SWITCH NO NC PG11 / CAPTEUR NO NF PG11	
140B	210018	2	GLAND N°11 / PRESSE ETOUPE N°11	
140C	4460884	1	CONNECTOR, DEUTSCH DT 4P PLUG / CONNECTEUR DEUTSCH DT 4P MALE	
140C	4460465	4	CONTACT DEUTSCH DT SOCKET / CONTACT DEUTSCH DT FEMELLE	
140D	260326	1	NO/NC SWITCH PG13 / CAPTEUR NO NF PG13	
140E	210059	1	GLAND N°13 2xØ5 IP65 / PRESSE ETOUPE N°13 2xØ5 IP65	
150	PC0470	1	HARNESS, MAST LIMIT SWITCHES / FAISCEAU CAPTEUR DE MAT	

SECTION 8 - ELECTRICAL SYSTEM INSTALL / INSTALLATION ELECTRIQUE

ITEM	PART NUMBER	QTY	DESCRIPTION	REV
150A	260323	2	NO/NC SWITCH / CAPTEUR NO/NF	
150B	210018	2	GLAND N°11 / PRESSE ETOUPE N°11	
150C	4460894	1	CONNECTOR, DEUTSCH DT 6P PLUG / CONNECTEUR DEUTSCH DT 6P MALE	
150C	4460465	6	CONTACT DEUTSCH DT SOCKET / CONTACT DEUTSCH DT FEMELLE	
160	PC0534	1	HARNESS, BEACON / FAISCEAU FEU A ECLATS	
160A	260329	1	FLASHING LIGHT / FEU A ECLATS	
160B	4460897	1	CONNECTOR, DEUTSCH DT 2P RECEPTACLE / CONNECTEUR DEUTSCH DT 2P FEMELLE	
160B	4460464	2	CONTACT DEUTSCH DT PIN / CONTACT DEUTSCH DT MALE	
170	1001213835	1	SENSOR,TILT 2.4° / DETECTEUR DE DEVERS 2.4°	
170A	4460536	1	CONNECTOR, DEUTSCH DT 3P RECEPTACLE / CONNECTEUR DEUTSCH DT 3P FEMELLE	
170A	4460464	3	CONTACT DEUTSCH DT PIN / CONTACT DEUTSCH DT MALE	
180	510086	2	DRIVE GEAR MOTOR / MOTOREDUCTEUR DE ROUE	
180A	250230	2 x1	CONNECTOR, DEUTSCH DTM 6P HOUSING / CONNECTEUR DEUTSCH DTM 6P FEMELLE	
180A	4460917	2 x6	CONTACT DEUTSCH DTM, GOLD PIN / CONTACT DEUTSCH DTM MALE DORE	
190	PC0491	1	HARNESS, HORN / FAISCEAU AVERTISSEUR SONORE	
190A	260274	1	HORN / KLAXON	
190B	4460897	1	CONNECTOR, DEUTSCH DT 2P RECEPTACLE / CONNECTEUR DEUTSCH DT 2P FEMELLE	
190B	4460464	2	CONTACT DEUTSCH DT PIN / CONTACT DEUTSCH DT MALE	

SECTION 8 - ELECTRICAL SYSTEM INSTALL / INSTALLATION ELECTRIQUE

FIGURE 8-2. KIT,POWER CABLES / KIT CABLES DE PUISSANCE



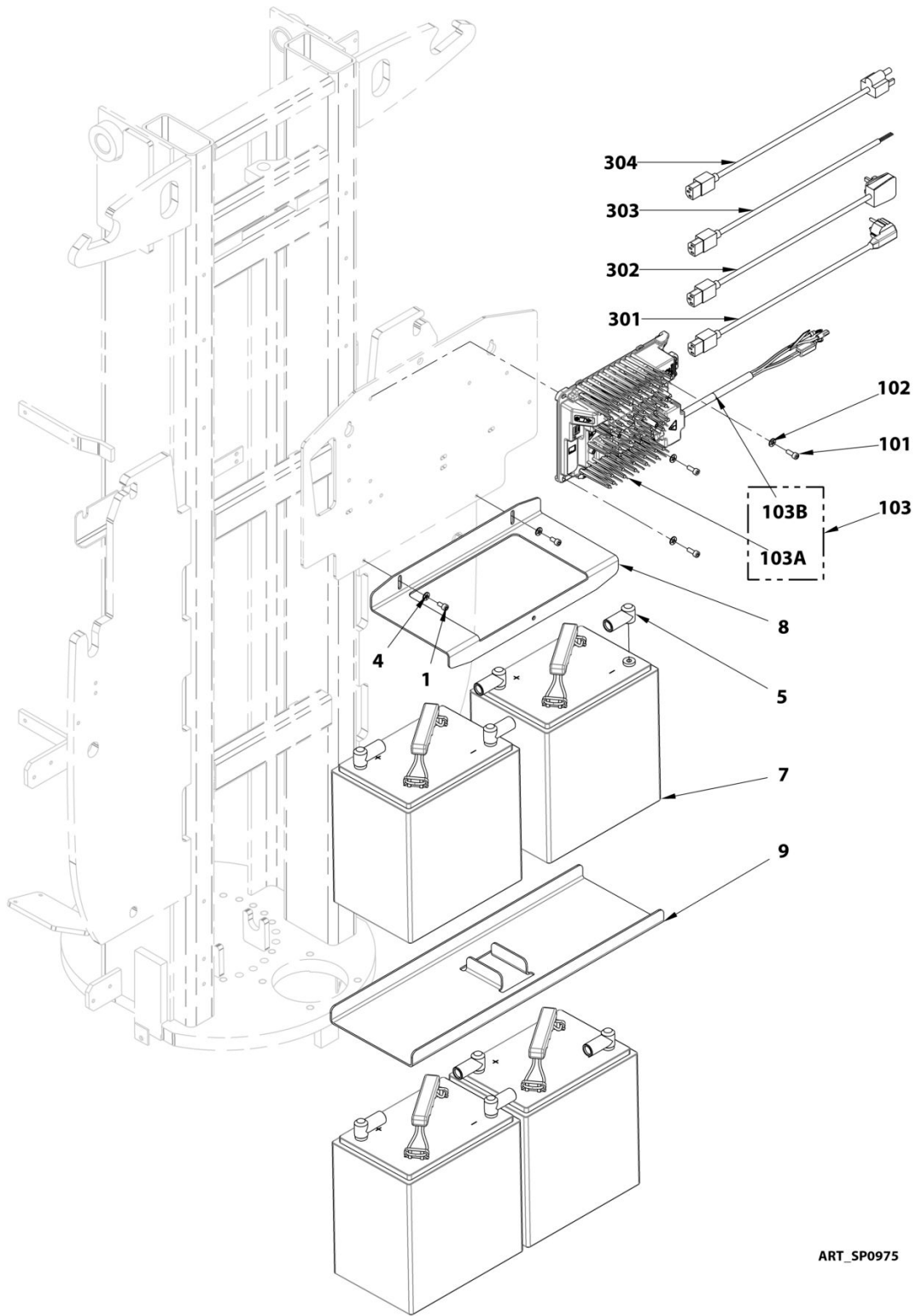
SECTION 8 - ELECTRICAL SYSTEM INSTALL / INSTALLATION ELECTRIQUE

FIGURE 8-2. KIT,POWER CABLES / KIT CABLES DE PUISSANCE

ITEM	PART NUMBER	QTY	DESCRIPTION	REV
	1001213899	Ref	KIT,POWER CABLES / DIAGRAMME D'INSTALLATION CABLES	A
1	PC0479	1	CABLE 35mm ² LENGHT 3950mm BLUE / CABLE 35mm ² L=3950mm BLEU	
2	PC0480	1	CABLE 35mm ² LENGHT 3950mm RED / CABLE 35mm ² L=3950mm ROUGE	
3	PC0482	1	CABLE 35mm ² LENGHT 3950mm BLACK / CABLE 35mm ² L=3950mm NOIR	
4	PC0483	1	CABLE 35mm ² LENGHT 550mm BLUE / CABLE 35mm ² L=550mm BLEU	
5	PC0484	1	CABLE 35mm ² LENGHT 550mm RED / CABLE 35mm ² L=550mm ROUGE	
6	1001213902	2	CABLE 35mm ² L=280mm RED / CABLE 35mm ² L=280mm ROUGE	
7	1001213903	1	CABLE 35mm ² L=410mm BLUE / CABLE 35mm ² L=410mm BLEU	
8	1001213904	2	CABLE 35mm ² L=560mm BLACK / CABLE 35mm ² L=560mm NOIR	
9	1001213905	2	CABLE 35mm ² LENGTH 630mm BLACK - QUICK CONNECTOR / CABLE 35mm ² LONG 630mm NOIR - CONNECTEUR RAPIDE	

SECTION 8 - ELECTRICAL SYSTEM INSTALL / INSTALLATION ELECTRIQUE

FIGURE 8-3. BATTERY AND CHARGER INSTALL / INSTALLATION BATTERIES ET CHARGEUR



ART_SP0975

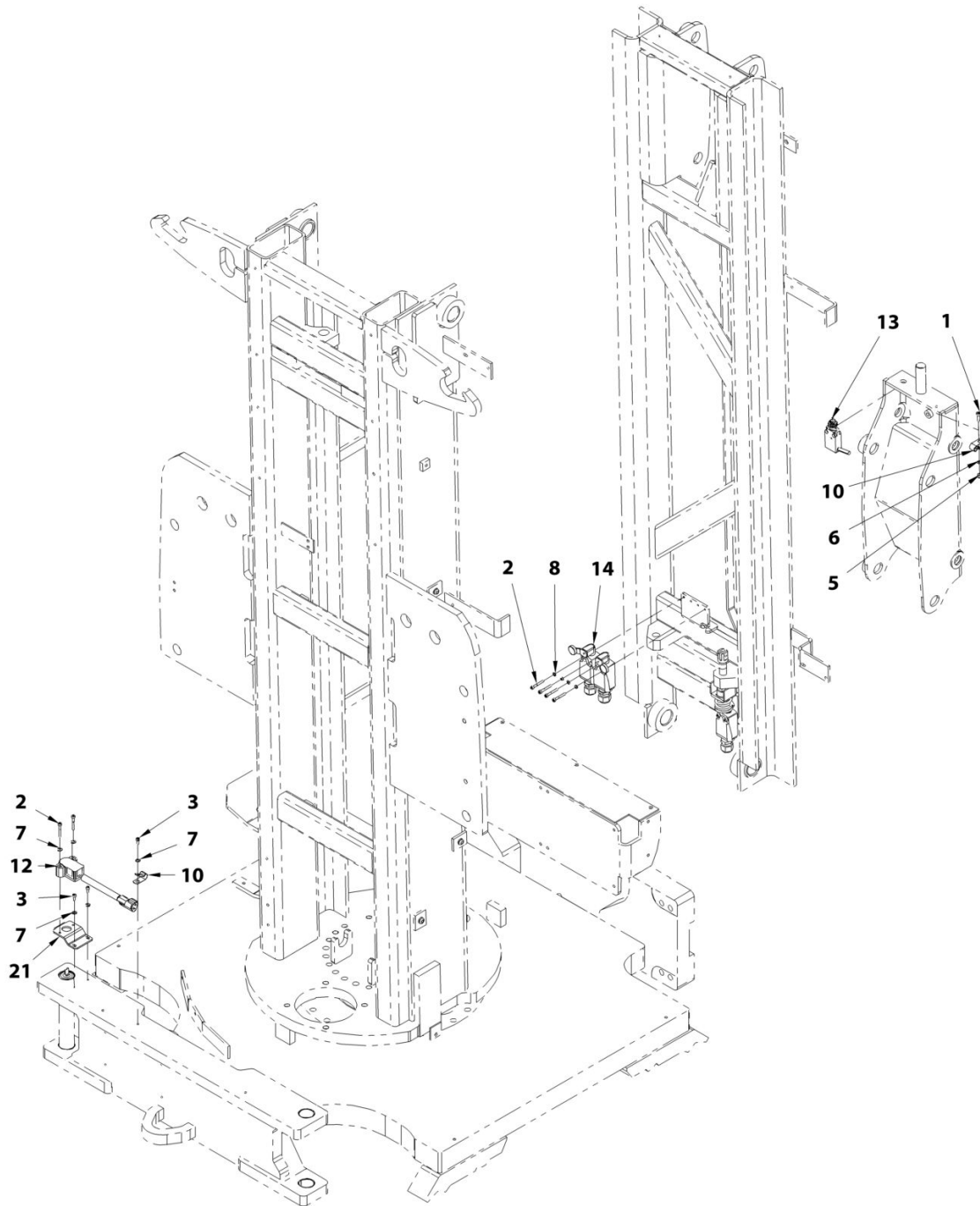
SECTION 8 - ELECTRICAL SYSTEM INSTALL / INSTALLATION ELECTRIQUE

FIGURE 8-3. BATTERY AND CHARGER INSTALL / INSTALLATION BATTERIES ET CHARGEUR

ITEM	PART NUMBER	QTY	DESCRIPTION	REV
	1001211415	Ref	INSTALL,BATTERIES / INSTALLATION BATTERIES	B
1	000014	2	M06x12 8.8 SOCKET HEAD MACH SCREW / VIS CHC M06x12 8.8 BI FT	
4	120009	2	LOCK WASHER D06x14 / RONDELLE CONTACT dD 06x14 BI	
5	250031	8	BOOT,BATTERY TERMINAL / CAPUCHON D'ETANCHEITE	
7	510094	4	BATTERY,AGM EVGT 6A-A / BATTERIE AGM EVGT 6A-A	
8	ST3776	1	PLATE,BATTERY STOP / BRIDE DE BATTERIES	
9	ST3778	1	CONTAINER,BATTERY / BAC DE RETENTION BATTERIE	
	1001211414	Ref	INSTALL,CHARGER / INSTALLATION CHARGEUR	B
101	000015	3	M06x16 8.8 SOCKET HEAD MACH SCREW / VIS CHC M06x16 8.8 BI FT	
102	120009	3	LOCK WASHER D06x14 / RONDELLE CONTACT dD 06x14 BI	
103	1001213986	1	CHARGER,WITH HARNESS / CHARGEUR AVEC FAISCEAU	
103A	1001213033	1	CHARGER W/O HARNESS / CHARGEUR SANS FAISCEAU	
103B	1001213985	1	HARNESS,CHARGER / FAISCEAU CHARGEUR	
		Ref	CHARGEUR EXTENSION / PRISE CHARGEUR	
301	250211	1	CABLE IEC22 / PLUG CEE7 2m 10A / CORDON IEC22 / FICHE CEE7 2m 10A	
302	250213	1	CABLE IEC22 / PLUG BS1362 2m 10A / CORDON IEC22 / FICHE BS1362 2m 10A	
303	1060689	1	CABLE AC CORD, W/O PLUG, L=2m / CABLE CA CHARGEUR, SANS PRISE, L=2m	
304	1060688	1	CABLE AC CORD, US PLUG, L=2m / CABLE AC CHARGEUR, US, L=2m	

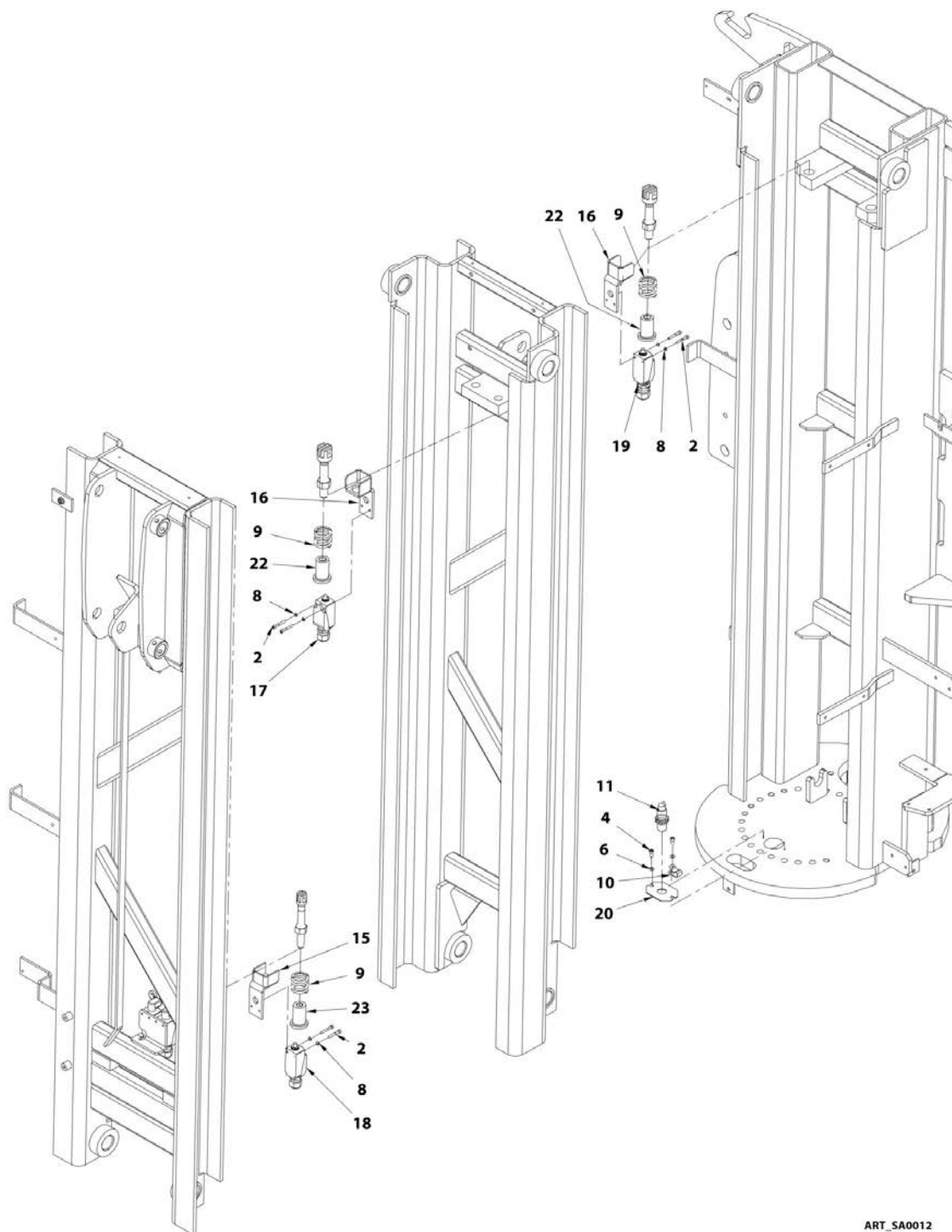
SECTION 8 - ELECTRICAL SYSTEM INSTALL / INSTALLATION ELECTRIQUE

FIGURE 8-4. SWITCHES AND COVERS INSTALL / INSTALLATION CAPTEURS



ART_SA0012

SECTION 8 - ELECTRICAL SYSTEM INSTALL / INSTALLATION ELECTRIQUE



ART_SA0012

SECTION 8 - ELECTRICAL SYSTEM INSTALL / INSTALLATION ELECTRIQUE

FIGURE 8-4. SWITCHES AND COVERS INSTALL / INSTALLATION CAPTEURS

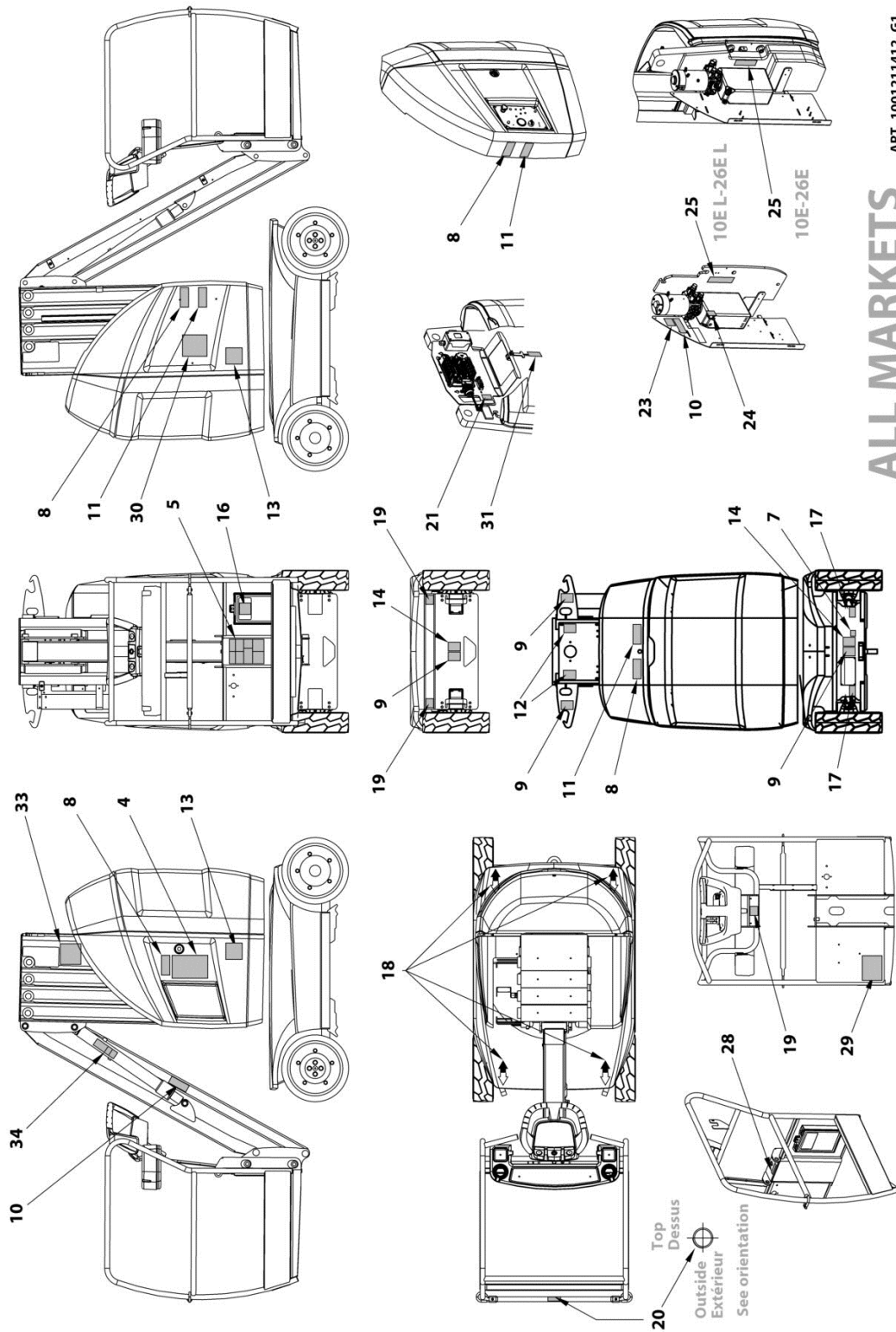
ITEM	PART NUMBER	QTY	DESCRIPTION	REV
	SA0012		SWITCHES AND COVERS INSTALL / INSTALLATION CAPTEURS	A
1	000003	1	M05x16 8.8 SOCKET HEAD MACH SCREW / VIS CHC M05x16 8.8 BI FT	
2	000007	12	M04x30 8.8 SOCKET HEAD CAPSCREW / VIS CHC M04x30 8.8 BI FP	
3	000050	3	M04x10 8.8 SOCKET HEAD MACH SCREW / VIS CHC M04x10 8.8 BI FT	
4	000067	2	M05x12 8.8 SOCKET HEAD MACH SCREW / VIS CHC M05x12 8.8 BI FT	
5	110002	1	M05 GR08 LOCK NUT / ECROU FREIN M5 CL08 BI	
6	120002	3	M05 WASHER / RONDELLE M05 BI	
7	120024	5	M04 LOCK WASHER / RONDELLE CONTACT M04 BI	
8	120056	10	dD 04x08 LOCK WASHER / RONDELLE CONTACT dD 04x08 BI	
9	160010	3	C 360 450 320 SPRING / RESSORT C 360 450 320	
10	1321293	3	INSULATED BAND / COLLIER ISOLE	
11	4000008	1	PROXIMITY SENSOR ASSEMBLY / FAISCEAU DETECTEUR DE PROXIMITE	
12	4360505	1	SWITCH,ROTARY ANGLE SENSOR / CAPTEUR D'ANGLE	
13	PC0468	1	HARNESS,LOAD SENSING SWITCH / FAISCEAU CAPTEUR DE SURCHARGE	
14	PC0470	1	HARNESS,T10E MAST LIMIT SWITCHES / T10E - FAISCEAU CAPTEURS DE MAT	
15	SD0345	1	SWITCH HOLDER / SUPPORT CAPTEUR	
16	SD0464	2	SWITCH HOLDER / SUPPORT CAPTEUR	
17	SE1139	1	HARNESS,CHAIN SLACK MAST 2; INFO - PC0469 / FAISCEAU CAPTEUR MOU DE CHAINE MAT 2; INFO - PC0469	
18	SE1140	1	HARNESS,CHAIN SLACK MAST 5; INFO - PC0469 / FAISCEAU CAPTEUR MOU DE CHAINE MAT 5; INFO - PC0469	
19	SE1141	1	HARNESS,CHAIN SLACK MAST 1; INFO - PC0469 / FAISCEAU CAPTEUR MOU DE CHAINE MAT 1; INFO - PC0469	
20	ST3226	1	D.O.S. SWITCH MOUNT / PLATINE CAPTEUR D'ORIENTATION	
21	ST3227	1	ROTARY SWITCH MOUNT / PLATINE CAPTEUR ROTATIF	
22	US0204	2	ACTUATOR M16 / ACTIONNEUR M16	
23	US0208	1	ACTUATOR M14 / ACTIONNEUR M14	

SECTION 9 - DECALS INSTALL / INSTALLATION AUTOCOLLANTS

SECTION 9 - DECALS INSTALL / INSTALLATION AUTOCOLLANTS

SECTION 9 - DECALS INSTALL / INSTALLATION AUTOCOLLANTS

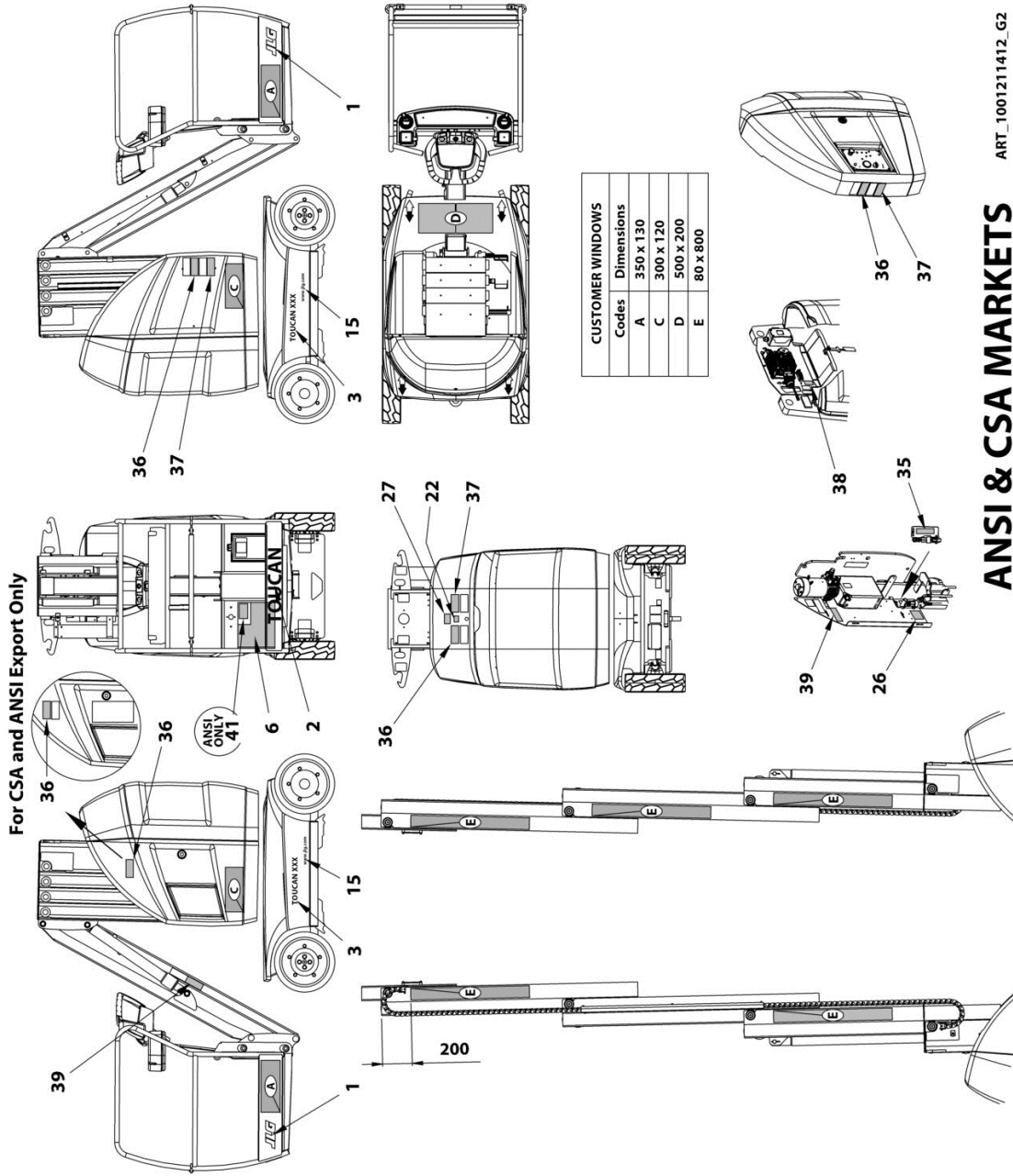
FIGURE 9-1. DECALS ALL PRODUCTS / INSTALLATION TOUT PRODUIT



ALL MARKETS

ART_1001211412_G1

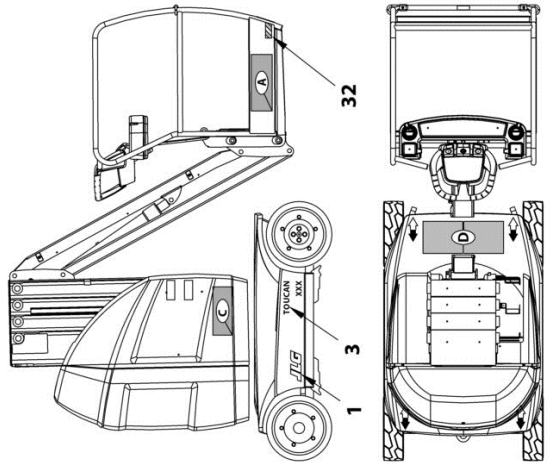
SECTION 9 - DECALS INSTALL / INSTALLATION AUTOCOLLANTS



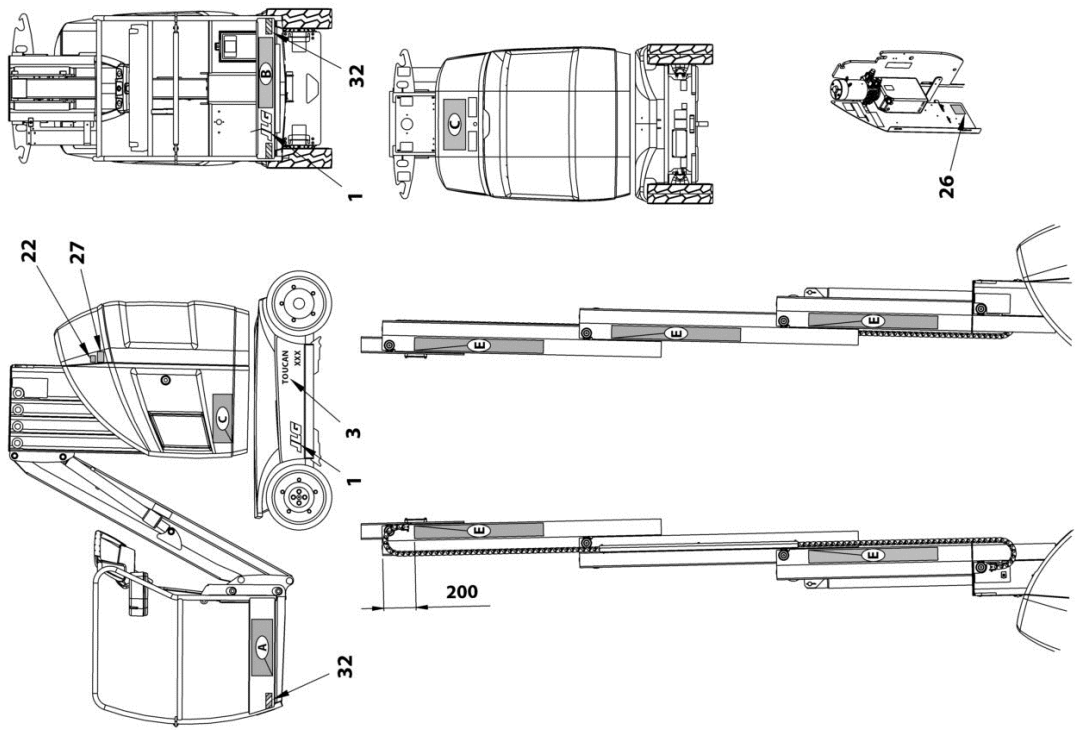
ANSI & CSA MARKETS

ART_1001211412_G2

SECTION 9 - DECALS INSTALL / INSTALLATION AUTOCOLLANTS



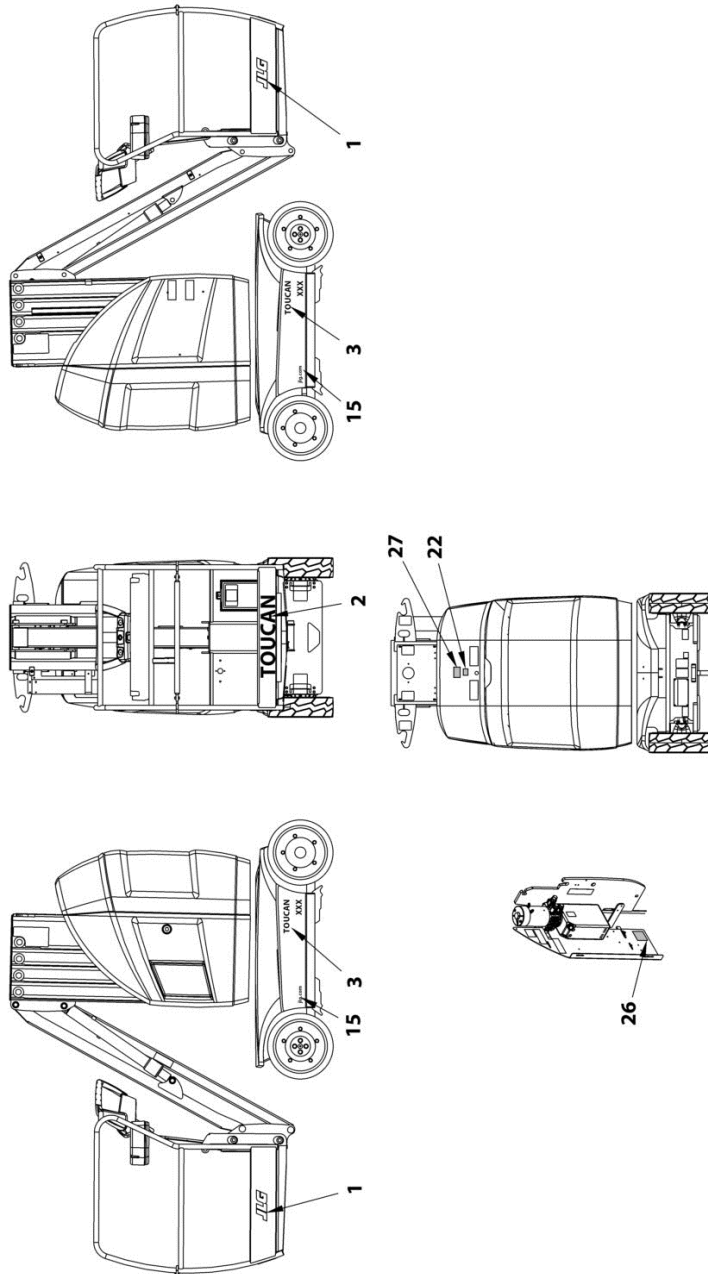
CUSTOMER WINDOWS	
Codes	Dimensions
A	350 x 130
B	400 x 80
C	300 x 120
D	500 x 200
E	80 x 800



ART_1001211412_G3

CE MARKET

SECTION 9 - DECALS INSTALL / INSTALLATION AUTOCOLLANTS



AS & NZL MARKETS

ART_1001211412_G4

SECTION 9 - DECALS INSTALL / INSTALLATION AUTOCOLLANTS

FIGURE 9-1. DECALS INSTALL / INSTALLATION AUTOCOLLANTS

ITEM	PART NUMBER	QTY	DESCRIPTION	REV
	1001211412		DECALS INSTALL / INSTALLATION AUTOCOLLANTS	G
	PA1138	Ref	INSTALL,DECAL JLG LOGOS / INSTALLATION LOGOS JLG	
1	1705781	2	DECAL, JLG 2.75" / AUTOCOLLANT, JLG	
2	AU1825	1	DECAL, FRONT BASKET TOUCAN / AUTOCOLLANT, LOGO TOUCAN AVANT PANIER	
3	1001220461	2	DECAL,MODEL DESIGNATION 10E / AUTOCOLLANT, LOGO TOUCAN 10E	
3	1001220462	2	DECAL,MODEL DESIGNATION 10E-L / AUTOCOLLANT, LOGO TOUCAN 10E-L	
3	AU2122	2	DECAL,MODEL DESIGNATION 26E / AUTOCOLLANT, LOGO TOUCAN 26E	
3	1001224064	2	DECAL,MODEL DESIGNATION 26E-L / AUTOCOLLANT, LOGO TOUCAN 26E-L	
	1001211418	Ref	10E - DECALS LOADS / 10E - AUTOCOLLANTS CHARGES	B
4	AU2109	1	10E - DECAL,INSTRUCTIONS AND LOADS / 10E - AUTOCOLLANT, CHARGES ET CONSIGNES	
5	AU2102	1	10E - DECAL,LOADS AND INSTRUCTION / 10E - AUTOCOLLANT, CHARGES ET CONSIGNES	
7	1001214286	1	10E - DECAL,WHEEL LOAD / 10E - AUTOCOLLANT, CHARGE SUR ROUE	
	1001211419	Ref	10E-L - DECALS LOADS / 10E-L - AUTOCOLLANTS CHARGES	B
4	1001214285	1	10E-L - DECAL,INSTRUCTIONS AND LOADS / 10E-L - AUTOCOLLANT, CHARGES ET CONSIGNES	
5	1001214284	1	10E-L - DECAL,LOADS AND INSTRUCTION / 10E-L - AUTOCOLLANT, CHARGES ET CONSIGNES	
7	1001214287	1	10E-L - DECAL,WHEEL LOAD / 10E-L - AUTOCOLLANT, CHARGE SUR ROUE	
	1001228973	Ref	10E (L) - DECALS LOADS RUSSIA (EAC) / 10E (L) - AUTOCOLLANTS CHARGES RUSSE (EAC)	
4	1001228601	1	10E (L) - DECAL,LOADS AND INSTRUCTION / 10E (L) - AUTOCOLLANT, CHARGES ET CONSIGNES	
5	1001228600	1	10E (L) - DECAL,LOADS AND INSTRUCTION / 10E (L) - AUTOCOLLANT, CHARGES ET CONSIGNES	
7	1001214286	1	10E (L) - DECAL,WHEEL LOAD / 10E (L) - AUTOCOLLANT, CHARGE SUR ROUE	
	1001223681	Ref	26E - (ENG) DECALS LOADS / 26E - (ENG) AUTOCOLLANTS CHARGES	
4	1001223845	1	26E - (ENG) DECAL,LOADS AND INSTRUCTION / 26E - (ENG) AUTOCOLLANT, CHARGES ET CONSIGNES	
5	1001223853	1	26E - (ENG) DECAL,LOADS AND INSTRUCTION / 26E - (ENG) AUTOCOLLANT, CHARGES ET CONSIGNES	
7	1001223863	1	26E - DECAL,WHEEL LOAD / 26E - AUTOCOLLANT, CHARGE SUR ROUE	
	1001223682	Ref	26E-L - (ENG) DECALS LOADS / 26E-L - (ENG) AUTOCOLLANTS CHARGES	
4	1001223846	1	26E-L - (ENG) DECAL,LOADS AND INSTRUCTION / 26E-L - (ENG) AUTOCOLLANT, CHARGES ET CONSIGNES	
5	1001223854	1	26E-L - (ENG) DECAL,LOADS AND INSTRUCTION / 26E-L -	

SECTION 9 - DECALS INSTALL / INSTALLATION AUTOCOLLANTS

ITEM	PART NUMBER	QTY	DESCRIPTION	REV
7	1001223864	1	(ENG) AUTOCOLLANT, CHARGES ET CONSIGNES 26E-L - DECAL,WHEEL LOAD / 26E-L - AUTOCOLLANT, CHARGE SUR ROUE	
	1001223683	Ref	26E - (SPA-POR) DECALS LOADS / 26E - (SPA-POR) AUTOCOLLANTS CHARGES	
4	1001223847	1	26E - (SPA-POR) DECAL,LOADS AND INSTRUCTION / 26E - (SPA-POR) AUTOCOLLANT, CHARGES ET CONSIGNES	
5	1001223855	1	26E - (SPA) DECAL,LOADS AND INSTRUCTION / 26E - (SPA) AUTOCOLLANT, CHARGES ET CONSIGNES	
6	1001223933	1	26E - (POR) DECAL,LOADS AND INSTRUCTION / 26E - (POR) AUTOCOLLANT, CHARGES ET CONSIGNES	
7	1001223863	1	26E - DECAL,WHEEL LOAD / 26E - AUTOCOLLANT, CHARGE SUR ROUE	
	1001223684	Ref	26E-L - (SPA-POR) DECALS LOADS / 26E-L - (SPA-POR) AUTOCOLLANTS CHARGES	
4	1001223848	1	26E-L - (SPA-POR) DECAL,LOADS AND INSTRUCTION / 26E-L - (SPA-POR) AUTOCOLLANT, CHARGES ET CONSIGNES	
5	1001223856	1	26E-L - (SPA) DECAL,LOADS AND INSTRUCTION / 26E-L - (SPA) AUTOCOLLANT, CHARGES ET CONSIGNES	
6	1001223934	1	26E-L - (POR) DECAL,LOADS AND INSTRUCTION26E-L - (ENG) DECAL,LOADS AND INSTRUCTION26E-L - (ENG) DECAL,LOADS AND INSTRUCTION / 26E-L - (POR) AUTOCOLLANT, CHARGES ET CONSIGNES	
7	1001223864	1	26E-L - DECAL,WHEEL LOAD / 26E-L - AUTOCOLLANT, CHARGE SUR ROUE	
	1001223685	Ref	26E - (ENG-SPA) DECALS LOADS / 26E - (ENG-SPA) AUTOCOLLANTS CHARGES	
4	1001223849	1	26E - (ENG-SPA) DECAL,LOADS AND INSTRUCTION / 26E - (ENG-SPA) AUTOCOLLANT, CHARGES ET CONSIGNES	
5	1001223853	1	26E - (ENG) DECAL,LOADS AND INSTRUCTION / 26E - (ENG) AUTOCOLLANT, CHARGES ET CONSIGNES	
6	1001223935	1	26E - (SPA) DECAL,LOADS AND INSTRUCTION / 26E - (SPA) AUTOCOLLANT, CHARGES ET CONSIGNES	
7	1001223863	1	26E - DECAL,WHEEL LOAD / 26E - AUTOCOLLANT, CHARGE SUR ROUE	
	1001223686	Ref	26E-L - (ENG-SPA) DECALS LOADS / 26E-L - (ENG-SPA) AUTOCOLLANTS CHARGES	
4	1001223850	1	26E-L - (ENG-SPA) DECAL,LOADS AND INSTRUCTION / 26E-L - (ENG-SPA) AUTOCOLLANT, CHARGES ET CONSIGNES	
5	1001223854	1	26E-L - (ENG) DECAL,LOADS AND INSTRUCTION / 26E-L - (ENG) AUTOCOLLANT, CHARGES ET CONSIGNES	
6	1001223936	1	26E-L - (SPA) DECAL,LOADS AND INSTRUCTION / 26E-L - (SPA) AUTOCOLLANT, CHARGES ET CONSIGNES	
7	1001223864	1	26E-L - DECAL,WHEEL LOAD / 26E-L - AUTOCOLLANT, CHARGE SUR ROUE	
	1001223687	Ref	26E - (ENG-FRE) DECALS LOADS / 26E - (ENG-FRE) AUTOCOLLANTS CHARGES	
4	1001223851	1	26E - (ENG-FRE) DECAL,LOADS AND INSTRUCTION / 26E - (ENG-FRE) AUTOCOLLANT, CHARGES ET CONSIGNES	
5	1001223853	1	26E - (ENG) DECAL,LOADS AND INSTRUCTION / 26E - (ENG) AUTOCOLLANT, CHARGES ET CONSIGNES	
6	1001223937	1	26E - (FRE) DECAL,LOADS AND INSTRUCTION / 26E - (FRE)	

SECTION 9 - DECALS INSTALL / INSTALLATION AUTOCOLLANTS

ITEM	PART NUMBER	QTY	DESCRIPTION	REV
7	1001223863	1	AUTOCOLLANT, CHARGES ET CONSIGNES 26E - DECAL,WHEEL LOAD / 26E - AUTOCOLLANT, CHARGE SUR ROUE	
	1001223688	Ref	26E-L - (ENG-FRE) DECALS LOADS / 26E-L - (ENG-FRE) AUTOCOLLANTS CHARGES	
4	1001223852	1	26E-L - (ENG-FRE) DECAL,LOADS AND INSTRUCTION / 26E-L - (ENG-FRE) AUTOCOLLANT, CHARGES ET CONSIGNES	
5	1001223854	1	26E-L - (ENG) DECAL,LOADS AND INSTRUCTION / 26E-L - (ENG) AUTOCOLLANT, CHARGES ET CONSIGNES	
6	1001223938	1	26E-L - (FRE) DECAL,LOADS AND INSTRUCTION / 26E-L - (FRE) AUTOCOLLANT, CHARGES ET CONSIGNES	
7	1001223864	1	26E-L - DECAL,WHEEL LOAD / 26E-L - AUTOCOLLANT, CHARGE SUR ROUE	
	1001211411	Ref	DECALS AUSTRALIA / AUTOCOLLANTS AUSTRALIE	F
	1001219323	Ref	DECALS EUROPA / AUTOCOLLANTS EUROPE	D
8	AU2108	4	DECAL, CRUSHING / AUTOCOLLANT, ECRASEMENT	
9	1703814	4	DECAL, TIE DOWN / AUTOCOLLANT, ARRIMAGE	
10	AU2107	2	DECAL, HAND CRUSHING HAZARD / AUTOCOLLANT, COINCEMENT MAIN	
11	AU2103	3	DECAL, ELECTROCUTION / AUTOCOLLANT, ELECTROCUTION	
12	1703811	2	DECAL, LIFTING LUG / AUTOCOLLANT, ANNEAU DE LEVAGE	
13	AU2098	2	DECAL, INSERT FORKS / AUTOCOLLANT, PRISES DE FOURCHE	
14	1701499	2	TIE DOWN DECAL / AUTOCOLLANT, ARRIMAGE	
15	1706764	2	DECAL, JLG.COM / AUTOCOLLANT, JLG.COM	
16	1001227848	1	DECAL,MANUAL / AUTOCOLLANT, MANUEL	
17	1704016	2	DECAL, FORKLIFT LOCATION / AUTOCOLLANT, PRISE FOURCHE	
18	AU0149	4	DECAL REP DRIVE DIRECTION / AUTOCOLLANT, REP SENS MARCHE	
19	AU2105	3	DECAL, NO KARCHER / AUTOCOLLANT, KARCHER	
20	1706493	1	DECAL, DROP BAR / AUTOCOLLANT, RISQUE DE CHUTE SOUS-LISSE	
21	1705803	1	DECAL, ELEC HAZARD / AUTOCOLLANT, RISQUES ELECTRIQUES	
22	AU2229	1	DECAL,BATTERY CHARGER PLUG / AUTOCOLLANT, PRISE CHARGEUR	
23	AU1423	1	DECAL, FILTER CHANGE DECAL / AUTOCOLLANT, CHANGEMENT DE FILTRE	
24	AU2097	1	DECAL, OIL LEVEL / AUTOCOLLANT, NIVEAU D'HUILE	
25	AU2099	1	DECAL, MANUAL SWING / AUTOCOLLANT, ORIENTATION MANUELLE	
26	1001245244	1	DECAL,MAST MANUAL DESCENT / AUTOCOLLANT, DESCENTE MANUELLE MAT	
27	1706740	1	DECAL, BATTERY DISCONNECT / AUTOCOLLANT, DECONNEXION BATTERIE	
28	1704277	1	DECAL, LANYARD ATTACH / AUTOCOLLANT, ATTACHE HARNAIS	
29	1001214288	1	DECAL,TIE DOWN & LIFTING / AUTOCOLLANT, ARRIMAGE-ELINGAGE	
30	1001217094	1	DECAL,EMERGENCY CONTROLS / AUTOCOLLANT, SECOURS	
31	AU2215	1	DECAL,SLACK CHAIN DETECTION / AUTOCOLLANT, MOU DE CHAINE	
32	4420051	1 m 0.4	DECAL,WARNING STRIPES / AUTOCOLLANT, BANDE	

SECTION 9 - DECALS INSTALL / INSTALLATION AUTOCOLLANTS

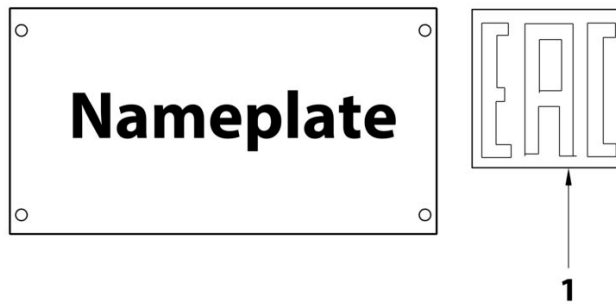
ITEM	PART NUMBER	QTY	DESCRIPTION	REV
			JAUNE/NOIRE	
33	1702631	Ref	DECAL,BAR CODE ASSY / KIT AUTOCOLLANTS CODE BARRE	
33	1703633	1	DECAL,BAR-CODE / AUTOCOLLANT CODE BARRE	
33	1703632	1	DECAL,OVERLAY / PROTECTION ADHESIVE	
34	AU2095	1	DECAL, JIB MANUAL DESCENT / AUTOCOLLANT, DESCENTE BRAS (Prior to SN A300040285)	
34	1001226413	1	DECAL, JIB MANUAL DESCENT / AUTOCOLLANT, DESCENTE BRAS (SN A300040285 to Present)	
0	1001223677	1	DECALS ANSI ENGLISH / AUTOCOLLANTS ANSI ANGLAIS	C
0	1001223678	1	DECALS ANSI SPANISH-PORTUGUESE / AUTOCOLLANTS ANSI ESPAGNOL-PORTUGAIS	B
0	1001223679	1	DECALS ANSI ENGLISH-SPANISH / AUTOCOLLANTS ANSI ANGLAIS-ESPAGNOL	B
0	1001223680	1	DECALS CSA ENGLISH-FRENCH / AUTOCOLLANTS CSA ANGLAIS-FRANCAIS	C
8	AU2117	4	ENG-DECAL, CRUSHING HAZARD / ENG-AUTOCOLLANT, ECRASEMENT	
8	AU2149	4	SPA-DECAL, CRUSHING HAZARD / SPA-AUTOCOLLANT, ECRASEMENT	
9	1703814	4	DECAL,TIE DOWN / AUTOCOLLANT, ARRIMAGE	
10	AU2119	2	ENG-DECAL,HAND CRUSHING HAZARD / ENG-AUTOCOLLANT, COINCEMENT MAIN	
10	AU2147	2	SPA-DECAL,HAND CRUSHING HAZARD / SPA-AUTOCOLLANT, COINCEMENT MAIN	
11	AU2118	3	ENG-DECAL,ELECTROCUTION HAZARD / ENG-AUTOCOLLANT, ELECTROCUTION	
11	AU2150	3	SPA-DECAL,ELECTROCUTION HAZARD / SPA-AUTOCOLLANT, ELECTROCUTION	
12	1703811	2	DECAL,LIFTING LUG / AUTOCOLLANT, ANNEAU DE LEVAGE	
13	AU2098	2	DECAL, INSERT FORKS / AUTOCOLLANT, PRISE FOURCHE	
14	1701499	2	TIE DOWN DECAL / AUTOCOLLANT, ARRIMAGE	
15	1704885	2	DECAL,WEBSITE / AUTOCOLLANT, SITE WEB	
16	1001227848	1	DECAL,MANUAL / AUTOCOLLANT, MANUEL	
17	1704016	2	DECAL,FORK LIFT / AUTOCOLLANT, PRISE FOURCHE	
18	AU0149	4	DECAL REP DRIVE DIRECTION / AUTOCOLLANT, REP SENS MARCHE	
19	AU2105	3	DECAL, NO KARCHER / AUTOCOLLANT, KARCHER	
20	1706493	1	DECAL,DROP BAR / AUTOCOLLANT, RISQUE DE CHUTE SOUS-LISSE	
21	1703785	1	ENG-DECAL,WARNING FIRE HAZARD / ENG-AUTOCOLLANT, RISQUES EXPLOSION	
21	1704031	1	FRE-DECAL,WARNING FIRE HAZARD / FRE-AUTOCOLLANT, RISQUES EXPLOSION	
22	AU2229	1	DECAL,BATTERY CHARGER PLUG / AUTOCOLLANT, PRISE CHARGEUR	
23	AU1423	1	FILTER CHANGE DECAL / AUTOCOLLANT, CHANGEMENT DE FILTRE	
24	AU2097	1	DECAL, OIL LEVEL / AUTOCOLLANT, NIVEAU D'HUILE	
25	AU2099	1	DECAL, MANUAL SWING / AUTOCOLLANT, ORIENTATION MANUELLE	
26	1001245244	1	DECAL,MAST MANUAL DESCENT / AUTOCOLLANT, DESCENTE MANUELLE MAT	
27	1706740	1	DECAL,BATTERY DISCONNECT / AUTOCOLLANT, DECONNEXION BATTERIE	
28	1704277	1	DECAL,LANYARD ATTACH / AUTOCOLLANT, ATTACHE	

SECTION 9 - DECALS INSTALL / INSTALLATION AUTOCOLLANTS

ITEM	PART NUMBER	QTY	DESCRIPTION	REV
29	1001214288	1	HARNAIS DECAL,TIE-DOWN & LIFTING / AUTOCOLLANT, ARRIMAGE- ELINGAGE	
30	1001226415	1	DECAL,EMERGENCY CONTROLS / AUTOCOLLANT, SECOURS	
31	AU2215	1	DECAL,SLACK CHAIN DETECTION / AUTOCOLLANT, MOU DE CHAINE	
33	1702631	1	DECAL,BAR CODE ASSY / KIT AUTOCOLLANTS CODE BARRE	
33	1703633	1	DECAL,BAR CODE / AUTOCOLLANT CODE BARRE	
33	1703632	1	DECAL,OVERLAY / PROTECTION ADHESIVE	
34	1001226413	1	DECAL,JIB MANUAL DESCENT / AUTOCOLLANT, DESCENTE BRAS	
35	1001224025	1	DECAL, JIB MANUAL RAISING / AUTOCOLLANT MONTEE BRAS	
36	AU2154	4	POR-DECAL, CRUSHING HAZARD / POR-AUTOCOLLANT, ECRASEMENT	
36	AU2149	4	SPA-DECAL, CRUSHING HAZARD / SPA-AUTOCOLLANT, ECRASEMENT	
36	AU2143	4	FRE-DECAL, CRUSHING HAZARD / FRE-AUTOCOLLANT, ECRASEMENT	
37	AU2155	3	POR-DECAL, ELECTROCUTION HAZARD / POR- AUTOCOLLANT, ELECTROCUTION	
37	AU2150	3	SPA-DECAL, ELECTROCUTION HAZARD / SPA-AUTOCOLLANT, ELECTROCUTION	
37	AU2144	3	FRE-DECAL, ELECTROCUTION HAZARD / FRE-AUTOCOLLANT, ELECTROCUTION	
38	1704023	1	POR-DECAL,WARNING FIRE HAZARD / POR-AUTOCOLLANT, RISQUES EXPLOSION	
38	1704031	1	SPA-DECAL,WARNING FIRE HAZARD / SPA-AUTOCOLLANT, RISQUES EXPLOSION	
38	AU2145	1	FRE-DECAL,WARNING FIRE HAZARD / FRE-AUTOCOLLANT, RISQUES EXPLOSION	
39	AU2152	2	POR-DECAL,HAND CRUSHING HAZARD / POR-AUTOCOLLANT, COINCEMENT MAIN	
39	AU2147	2	SPA-DECAL,HAND CRUSHING HAZARD / SPA-AUTOCOLLANT, COINCEMENT MAIN	
39	AU2140	2	FRE-DECAL,HAND CRUSHING HAZARD / FRE-AUTOCOLLANT, COINCEMENT MAIN	
41	1001231801	1	DECAL,WARNING PROP 65 / AUTOCOLLANT ATTENTION PROP 65	

SECTION 9 - DECALS INSTALL / INSTALLATION AUTOCOLLANTS

FIGURE 9-2. DECAL,EAC (RUSSIA,CIS) INSTALL / INSTALLATION AUTOCOLLANT EAC (RUSSIA,CIS)



ART_1001214032

SECTION 9 - DECALS INSTALL / INSTALLATION AUTOCOLLANTS

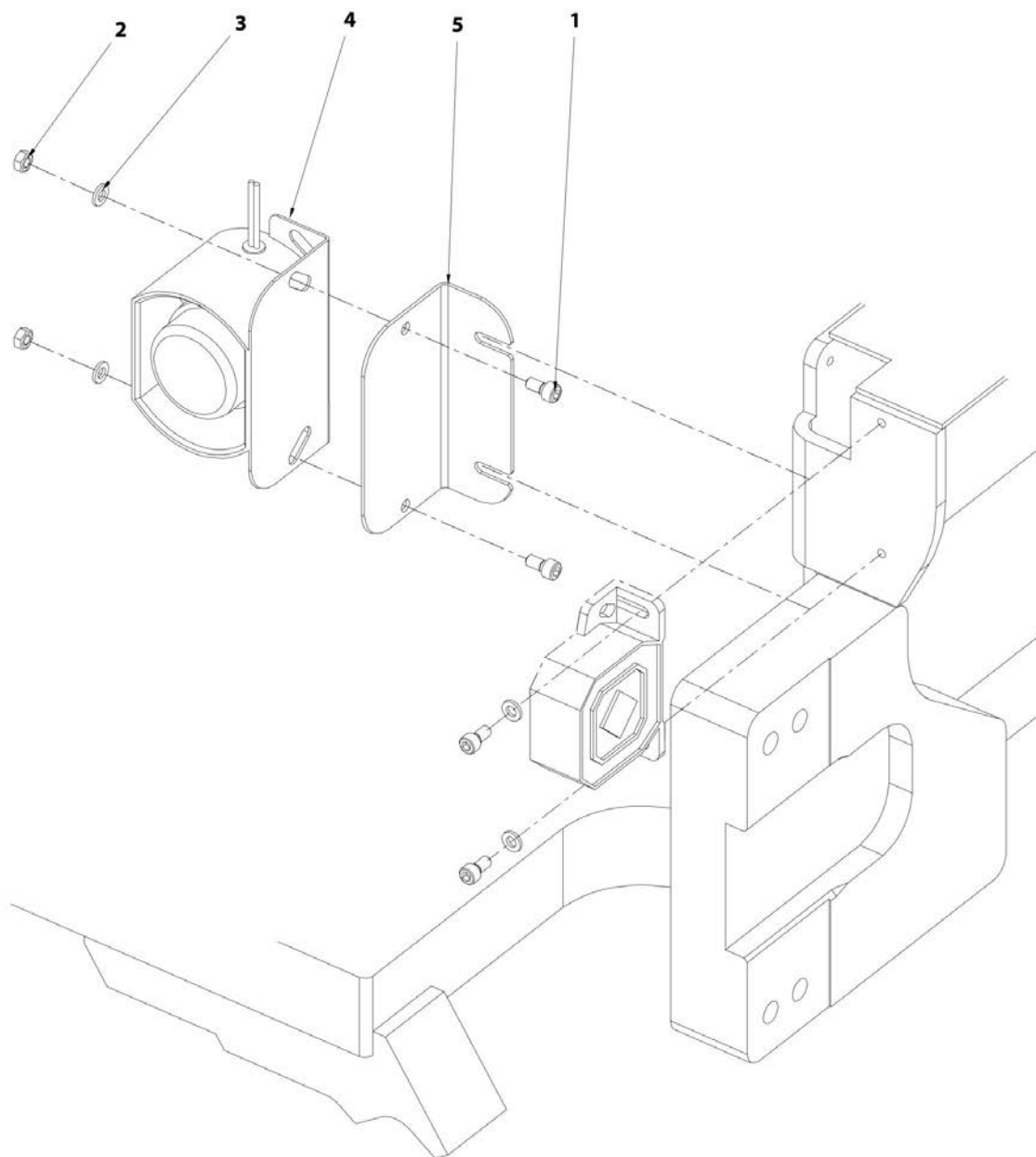
FIGURE 9-2. DECAL,EAC (RUSSIA,CIS) INSTALL / INSTALLATION AUTOCOLLANT EAC
(RUSSIA,CIS)

ITEM	PART NUMBER	QTY	DESCRIPTION	REV
	1001214032	Ref	DECAL,EAC (RUSSIA,CIS) INSTALL / INSTALLATION AUTOCOLLANT EAS (RUSSIE, CIS)	
1	1001173703	1	DECAL,EAC / AUTOCOLLANT EAC	

SECTION 10 - OPTIONS / OPTIONS

SECTION 10 - OPTIONS / OPTIONS

FIGURE 10-1. MOTION ALARM INSTALL / INSTALLATION ALARME DE MOUVEMENT



ART_OP509

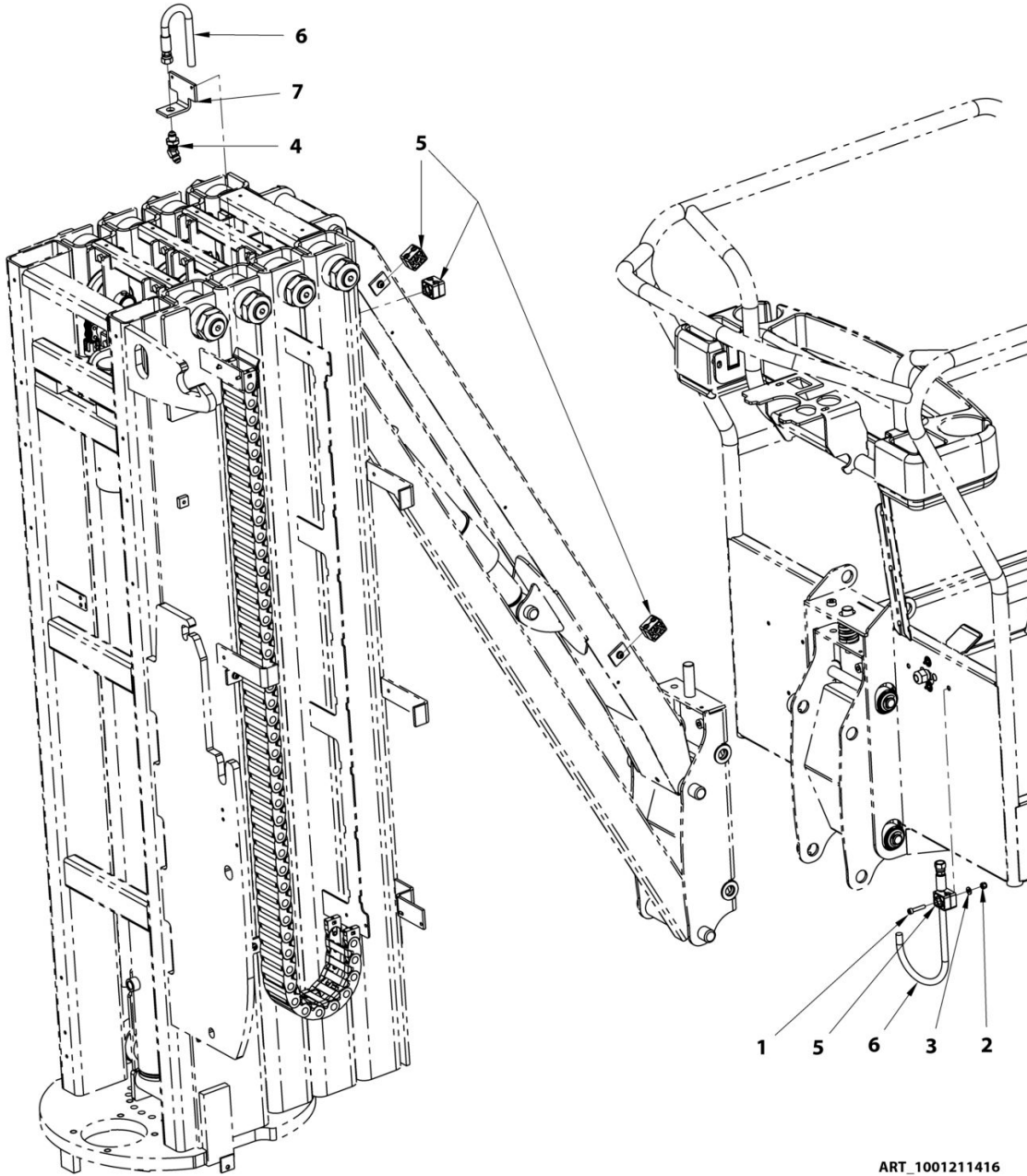
SECTION 10 - OPTIONS / OPTIONS

FIGURE 10-1. MOTION ALARM INSTALL / INSTALLATION ALARME DE MOUVEMENT

ITEM	PART NUMBER	QTY	DESCRIPTION	REV
	OP509		MOTION ALARM INSTALL / INSTALLATION ALARME DE MOUVEMENT	A
1	000014	2	M06x12 8.8 SOCKET HEAD MACH SCREW / VIS CHC M06x12 8.8 BI FT	
2	110003	2	M06 GR08 LOCK NUT / ECROU FREIN M6 CL08 BI	
3	120009	2	dD 06x14 LOCK WASHER / RONDELLE CONTACT dD 06x14 BI	
4	PC0466	1	HARNESS, MOTION ALARM / FAISCEAU ALARME DE MOUVEMENT	
5	ST3022	1	MOTION ALARM BRACKET / EQUERRE ALARME DE MOUVEMENTS	

SECTION 10 - OPTIONS / OPTIONS

FIGURE 10-2. AIRLINE 5/16" INSTALL / INSTALLATION AIR COMPRIE 5/16"



ART_1001211416

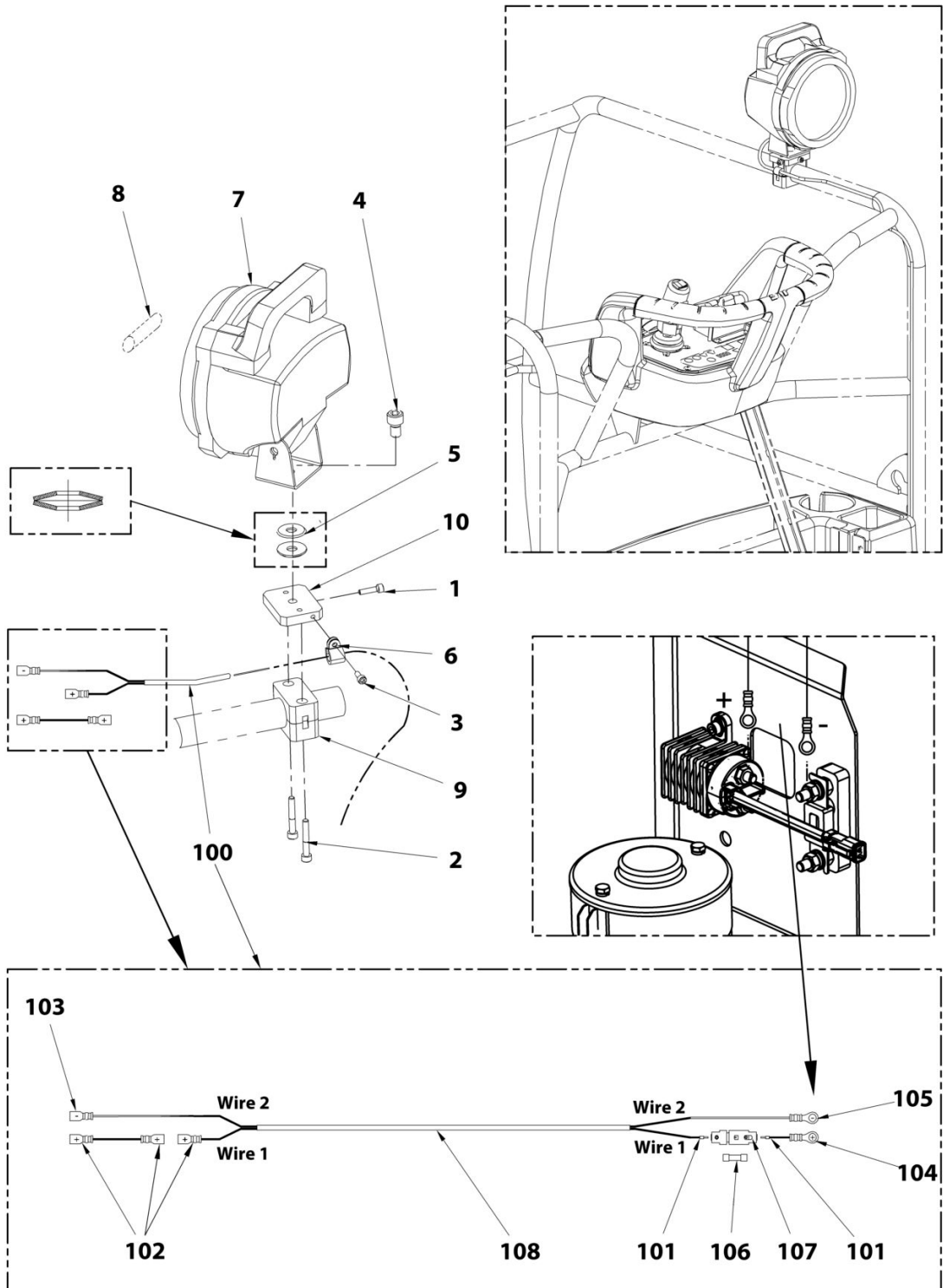
SECTION 10 - OPTIONS / OPTIONS

FIGURE 10-2. AIRLINE 5/16" INSTALL / INSTALLATION AIR COMPRIME 5/16"

ITEM	PART NUMBER	QTY	DESCRIPTION	REV
	1001211416		INSTALL,AIR LINE 5/16" / INSTALLATION AIR COMPRIME 5/16"	A
1	000016	1	M06x30 8.8 SOCKET HEAD MACH SCREW / VIS CHC M06x30 8.8 BI FT	
2	110003	1	M06 GR. 8.8 LOCK NUT / ECROU FREIN M6 CL08 BI	
3	120009	1	LOCK WASHER D06x14 / RONDELLE CONTACT dD 06x14 BI	
4	300161	1	45° BULKHEAD JIC 9/16 / TRAVERSEE DE CLOISON 45° JIC	
5	400018	4	CLAMP, TWIN D12 / COLLIER DOUBLE D12	
6	DF0978	1	HOSE 5/16-0830cm-JIC Fem 9/16-JIC Fem 9/16 / flexible 5/16-0830cm-JIC Fem 9/16-JIC Fem 9/16	
7	ST1969	1	SUPPORT, AIR LINE HOSE / SUPPORT FLEXIBLE AIR COMPRIME	

SECTION 10 - OPTIONS / OPTIONS

FIGURE 10-3. WORKING LIGHT INSTALL / INSTALLATION PHARE DE TRAVAIL



ART_OP521

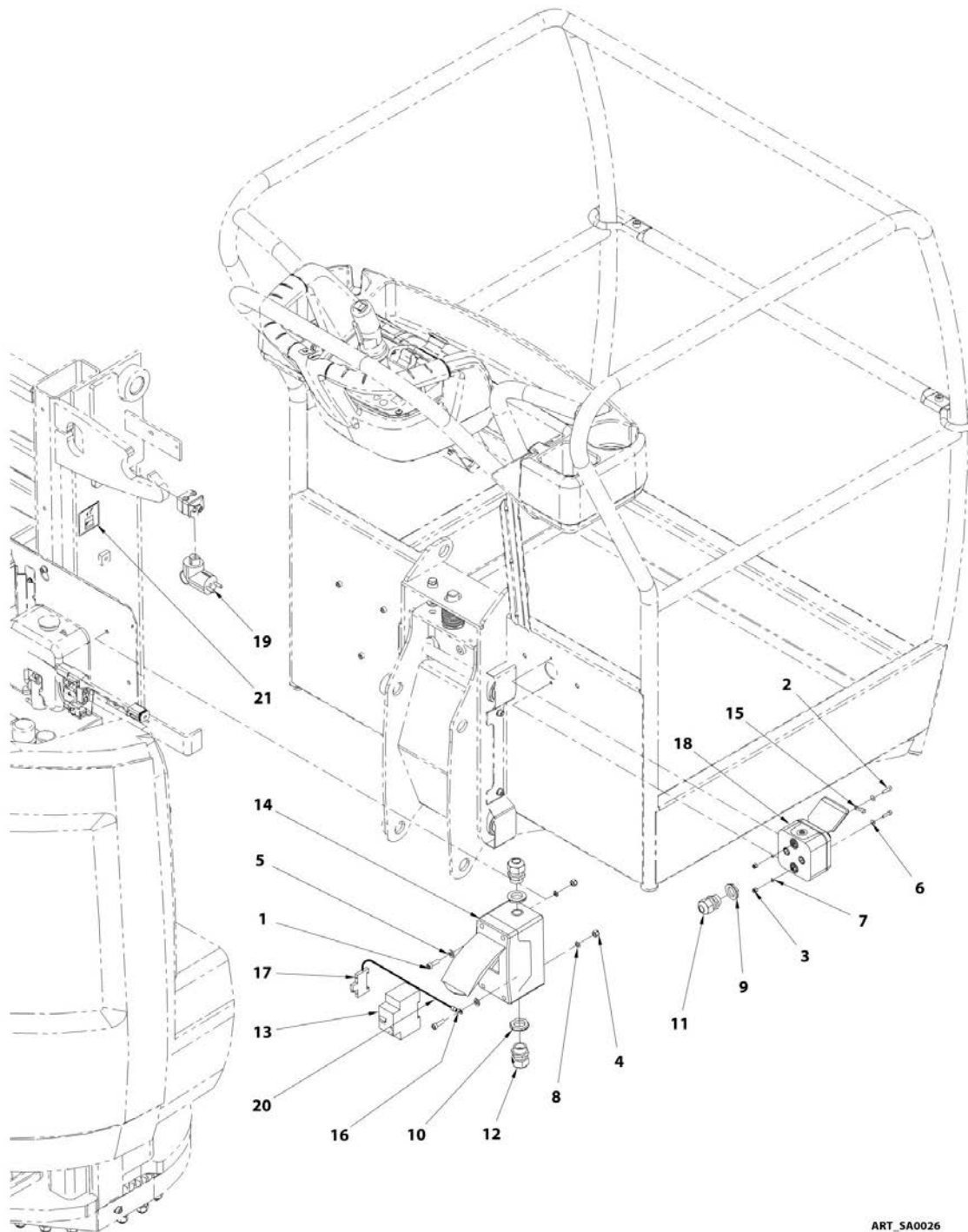
SECTION 10 - OPTIONS / OPTIONS

FIGURE 10-3. WORKING LIGHT INSTALL / INSTALLATION PHARE DE TRAVAIL

ITEM	PART NUMBER	QTY	DESCRIPTION	REV
	OP521		WORKING LIGHT INSTALL / INSTALLATION PHARE DE TRAVAIL	B
1	000010	1	M05x20 8.8 SOCKET HEAD MACH SCREW / VIS CHC M05x20 8.8 BI FT	
2	000017	2	M06x40 8.8 SOCKET HEAD MACH SCREW / VIS CHC M06x40 8.8 BI FT	
3	000067	1	M05x12 8.8 SOCKET HEAD MACH SCREW / VIS CHC M05x12 8.8 BI FT	
4	000069	1	M10x16 8.8 SOCKET HEAD MACH SCREW / VIS CHC M10x16 8.8 BI FT	
5	120043	2	BEVEL WASHER Ø28x10.2x1 / RONDELLE RESSORT Ø28x10.2x1 BR	
6	1321293	1	CLAMP,INSULATED BAND / COLLIER ISOLE	
7	260144	1	24V 70W LIGHT / PHARE 24V 70W	
8	260146	1	BULB H3 / 70W / AMPOULE H3 / 70W	
9	400077	1	CLAMP, SINGLE D30 / COLLIER D30	
10	FX158-014	1	PLATFORM LIGHT PLATE / PLATINE PHARE DE TRAVAIL	
100	PC0528	1	HARNES,WORK LIGHT / FAISEAU PHARE DE TRAVAIL	
101	250001	2	FERRULE TERMINAL 1mm ² / EMBOUT 1mm ²	
102	250026	3	RED RECEPTACLE TERM. 6.3 - 0.5-1.2mm ² / COSSE FEMELLE 6.3 ROUGE - 0.5-1.2mm ²	
103	250027	1	BLUE RECEPTACLE TER. 6.3 - 1.5-2.5mm ² / COSSE FEM. 6.3 BLEUE 6.3 - 1.5-2.5mm ²	
104	250084	1	M8 EYELET TERMINAL 0.25-1mm ² / COSSE A OEIL ISOLEE M8 - 0.25-1mm ²	
105	250172	1	M08 EYELET TERMINAL 1-2.5mm ² / COSSE A OEIL ISOLEE M08 - 1-2.5mm ²	
106	260006	1	5x20 3.15A FUSE / FUSIBLE 5x20 3.15A	
107	260007	1	FUSE HOLDER / PORTE FUSIBLE	
108	270031	12.2m	CABLE 2x1mm ² / CABLE 2x1mm ²	

SECTION 10 - OPTIONS / OPTIONS

FIGURE 10-4. 230V PLATFORM SOCKET INSTALL / INSTALLATION PRISE PLATE-FORME 230V



ART_SA0026

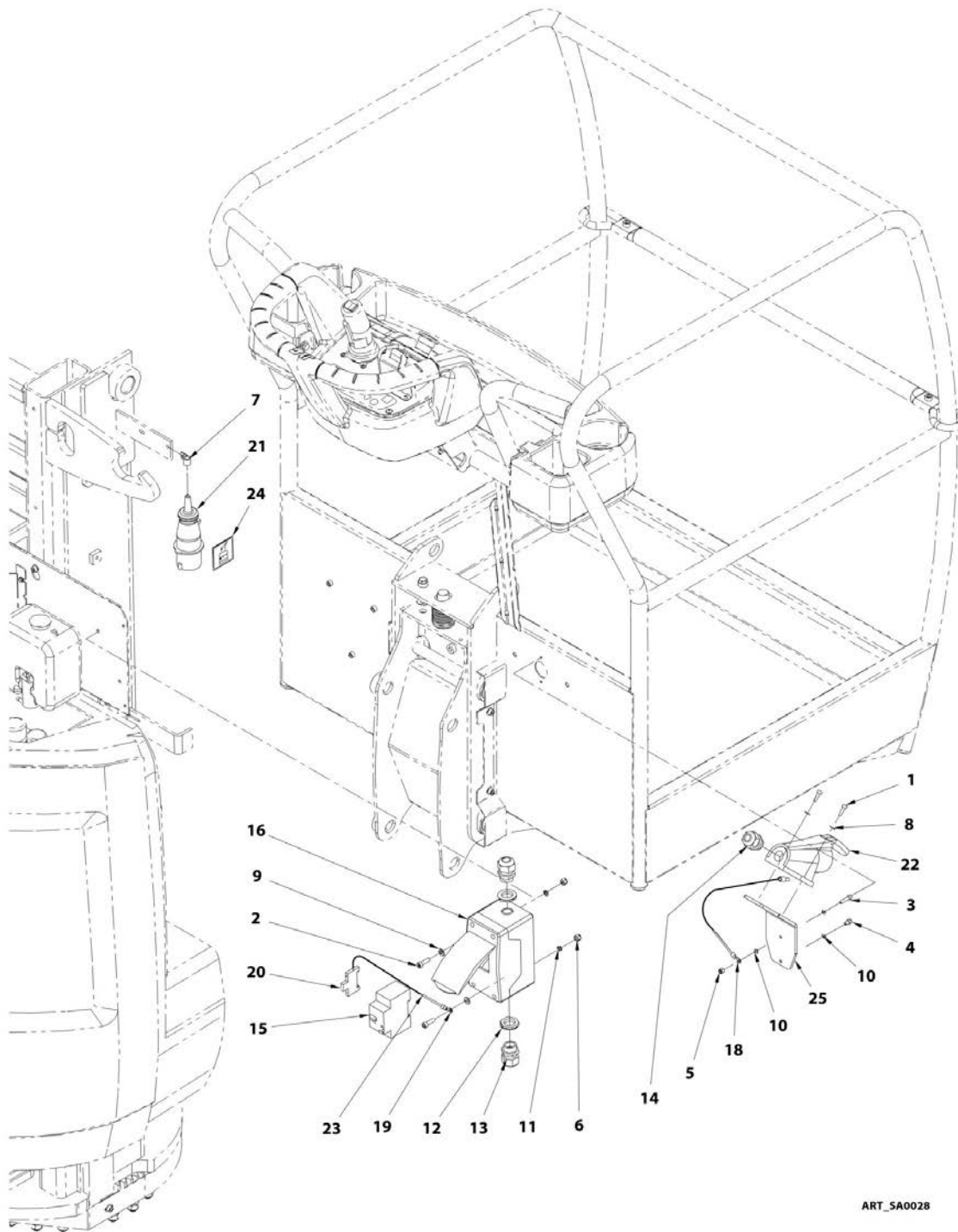
SECTION 10 - OPTIONS / OPTIONS

FIGURE 10-4. 230V PLATFORM SOCKET INSTALL / INSTALLATION PRISE PLATE-FORME 230V

ITEM	PART NUMBER	QTY	DESCRIPTION	REV
	SA0026	Ref	PLATFORM 230V FRENCH SOCKET INSTALL / INSTALLATION PRISE PANIER FRANCE 230V	D
	SA0027	Ref	PLATFORM 230V GERMAN SOCKET INSTALL / INSTALLATION PRISE PANIER ALLEMAGNE 230V	D
1	000005	2	M06x20 8.8 SOCKET HEAD MACH SCREW / VIS CHC M06x20 8.8 BI FT	
2	000085	2	M04x16 8.8 SOCKET HEAD MACH SCREW / VIS CHC M04x16 8.8 BI FT	
3	110001	2	M04 GR08 LOCK NUT / ECROU FREIN M4 CL08 BI	
4	110003	2	M06 GR08 LOCK NUT / ECROU FREIN M6 CL08 BI	
5	120009	2	dD 06x14 LOCK WASHER / RONDELLE CONTACT dD 06x14 BI	
6	120024	2	M4 LOCK WASHER / RONDELLE CONTACT M4 BI	
7	120058	2	WASHER, D4 SERRATED LOCK / RONDELLE EVENTAIL D4	
8	120060	2	WASHER, D6 SERRATED LOCK / RONDELLE EVENTAIL D6	
9	210011	1	GLAND N°13 NUT / ECROU DE PRESSE ETOUPE N°13	
10	210012	2	GLAND N°16 NUT / ECROU DE PRESSE ETOUPE N°16	
11	210019	1	GLAND N°13 / PRESSE ETOUPE N°13	
12	210021	2	GLAND N°16 / PRESSE ETOUPE N°16	
13	1001181045	1	CUTOUT 30 mA / DISJONCTEUR DIFFERENTIEL 30 mA	
14	240093	1	CUTOUT BOX / BOITIER DISJONCTEUR	
15	250089	1	M4 EYELET TERMINAL 1-2.5mm ² / COSSE A OEIL ISOLEE M4 - 1-2.5mm ²	
16	250091	1	M6 EYELET TERMINAL 1-2.5mm ² / COSSE A OEIL ISOLEE M6 - 1-2.5mm ²	
17	250135	1	TERMINAL BLOCK VICKING / BLOC DE JONCTION VICKING	
18	260029	1	FRENCH 230 VAC SOCKET 2P+T / PRISE FEM. FRANCAISE 230VAC 2P+T	
18	260187	1	GERMAN 230 VAC SOCKET 2P+T / PRISE FEM. ALLEMANDE 230VAC 2P+T	
19	260214	1	FRENCH AND GERMAN 230V CONNECTOR / PRISE 230V FRANCAISE ET ALLEMANDE	
20	270002	0.4	WIRE 2 mm ² Y/G (qty indicated in meter) / FIL 2 mm ² V/J (qté indiquée en mètre)	
21	AU1716	1	PLATFORM SOCKET DECAL / AUTOCOLLANT PRISE PANIER	

SECTION 10 - OPTIONS / OPTIONS

FIGURE 10-5. 115V IEC PLATFORM SOCKET INSTALL / INSTALLATION PRISE PLATE-FORME 115V EIC



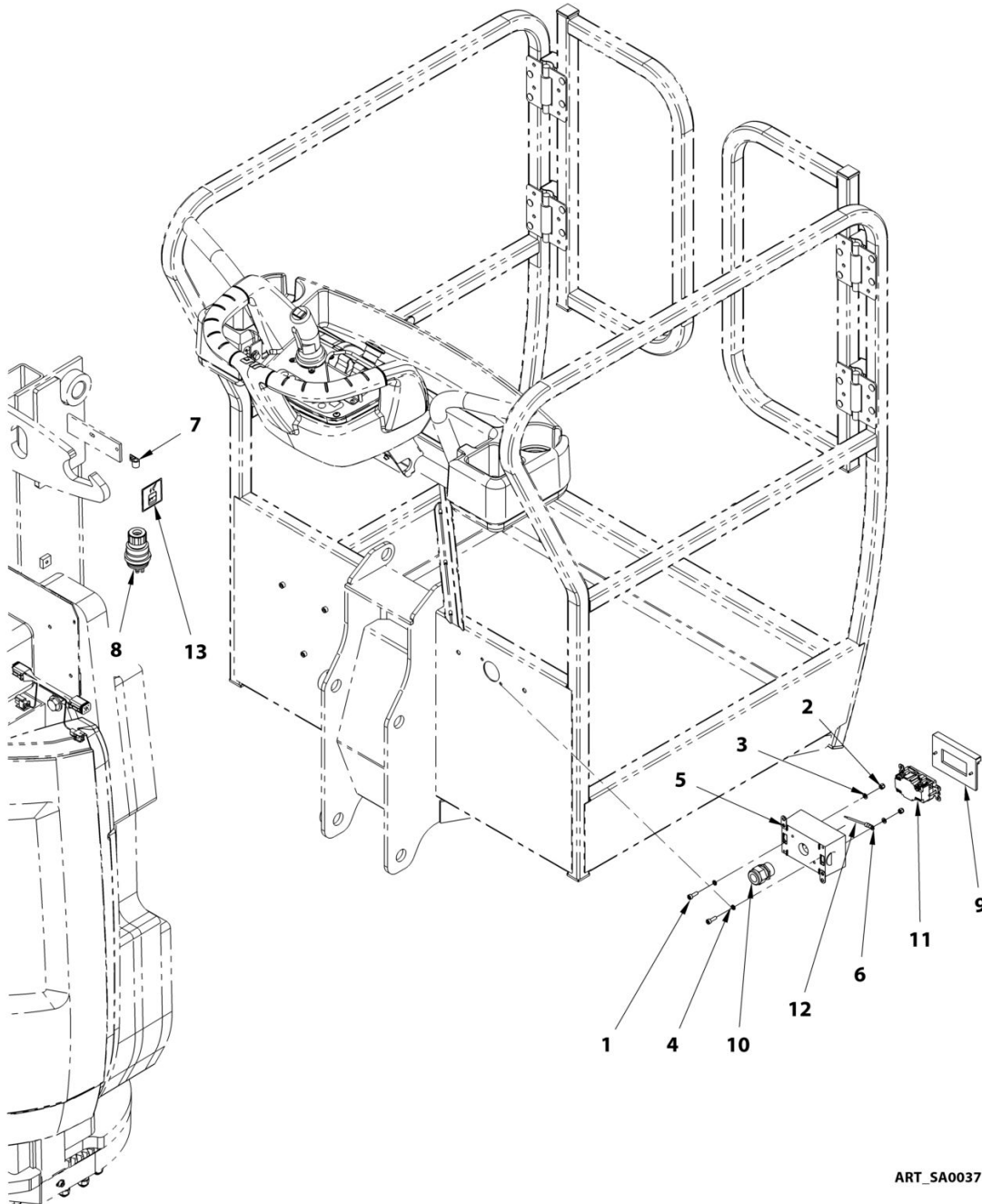
SECTION 10 - OPTIONS / OPTIONS

**FIGURE 10-5. 115V IEC PLATFORM SOCKET INSTALL / INSTALLATION PRISE PLATE-FORME115V
EIC**

ITEM	PART NUMBER	QTY	DESCRIPTION	REV
	SA0028		115V IEC PLATFORM SOCKET INSTALL / INSTALLATION PRISE PANIER IEC 115V	D
1	000003	2	M05x16 8.8 SOCKET HEAD MACH SCREW / VIS CHC M05x16 8.8 BI FT	
2	000005	2	M06x20 8.8 SOCKET HEAD MACH SCREW / VIS CHC M06x20 8.8 BI FT	
3	000010	1	M05x20 8.8 SOCKET HEAD MACH SCREW / VIS CHC M05x20 8.8 BI FT	
4	000089	1	M05x08 8.8 SOCKET HEAD MACH SCREW / VIS CHC M05x08 8.8 BI FT	
5	110002	1	M05 GR08 LOCK NUT / ECROU FREIN M5 CL08 BI	
6	110003	2	M06 GR08 LOCK NUT / ECROU FREIN M6 CL08 BI	
7	1321293	1	CLAMP, INSULATED BAND / COLLIER ISOLE	
8	120002	2	M05 WASHER / RONDELLE M05 BI	
9	120009	2	dD 06x14 LOCK WASHER / RONDELLE CONTACT dD 06x14 BI	
10	120059	3	WASHER, D5 SERRATED LOCK / RONDELLE EVENTAIL D5	
11	120060	2	WASHER, D6 SERRATED LOCK / RONDELLE EVENTAIL D6	
12	210012	2	GLAND N°16 NUT / ECROU DE PRESSE ETOUPE N°16	
13	210021	2	GLAND N°16 / PRESSE ETOUPE N°16	
14	210066	1	M20 CABLE GLAND / PRESSE ETOUPE M20	
15	1001181045	1	CUTOUT 30 mA / DISJONCTEUR DIFFERENTIEL 30 mA	
16	240093	1	CUTOUT BOX / BOITIER DISJONCTEUR	
17	250071	1	INSULATED SOCKET TERMINAL Ø5 / COSSE CYLINDRIQUE FEM. ISOLEE Ø5	
18	250090	1	M5 EYELET TERMINAL 1-2.5mm ² / COSSE A OEIL ISOLEE M5 - 1-2.5mm ²	
19	250091	1	M6 EYELET TERMINAL 1-2.5mm ² / COSSE A OEIL ISOLEE M6 - 1-2.5mm ²	
20	250135	1	TERMINAL BLOCK VICKING / BLOC DE JONCTION VICKING	
21	260213	1	CONNECTOR 115VAC/16A IEC60309 / PRISE MALE 115VAC/16A CEI60309	
22	260258	1	115 VAC IEC60309 SURFACE SOCKET / PRISE FEMELLE FIXE 115VAC CEI60309	
23	270002	0.5	WIRE 2 mm ² Y/G (qty indicated in meter) / FIL 2 mm ² V/J (qté indiquée en mètre)	
24	AU1716	1	PLATFORM SOCKET DECAL / AUTOCOLLANT PRISE PANIER	
25	ST3212	1	PLATE, 115VAC SOCKET / PLATINE PRISE 115VAC	

SECTION 10 - OPTIONS / OPTIONS

FIGURE 10-6. PLATFORM 115V GFI-US SOCKET INSTALL / INSTALLATION PRISE PLATE-FORME 115V GFI-US



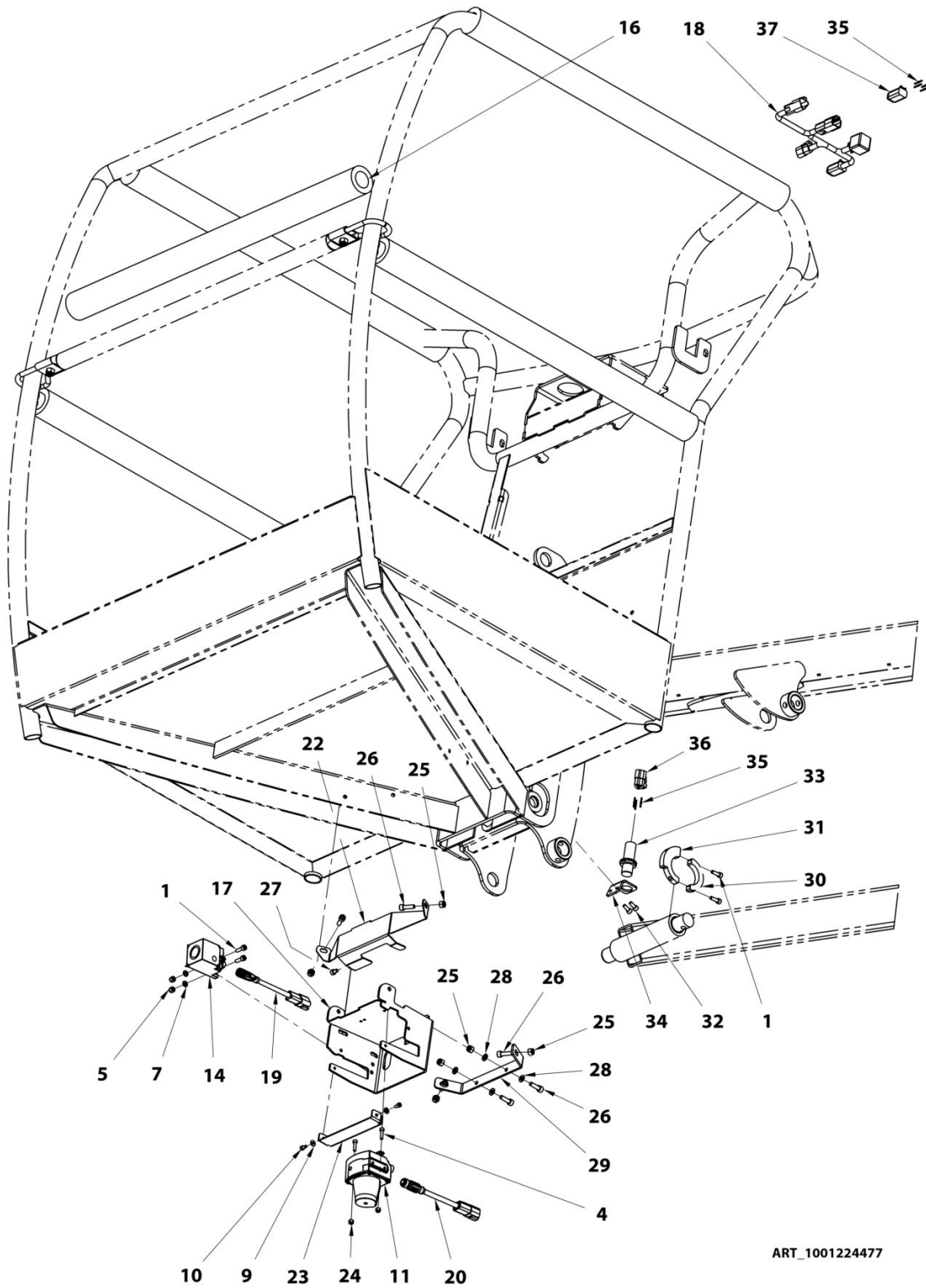
SECTION 10 - OPTIONS / OPTIONS

FIGURE 10-6. PLATFORM 115V GFI-US SOCKET INSTALL / INSTALLATION PRISE PLATE-FORME 115V GFI-US

ITEM	PART NUMBER	QTY	DESCRIPTION	REV
	SA0037		PLATFORM 115V GFI-US SOCKET INSTALL / INSTALLATION PRISE PLATE-FORME 115V GFI-US	B
1	000003	2	M05x16 8.8 SOCKET HEAD MACH SCREW / VIS CHC M05x16 8.8 BI FT	
2	110002	2	M05 GR08 LOCK NUT / ECROU FREIN M5 CL08 BI	
3	120002	2	M05 WASHER / RONDELLE M05 BI	
4	120059	2	WASHER, D5 SERRATED LOCK / RONDELLE EVENTAIL D5	B
5	230016	1	ELECTRICAL BOX / BOITIER ELECTRIQUE	
6	250090	1	M5 EYELET TERMINAL 1-2.5mm ² / COSSE A OEIL ISOLEE M5 - 1-2.5mm ²	B
7	1321293	1	CLAMP, INSULATED BAND / COLLIER ISOLE	
8	260276	1	US 125 VAC MALE CONNec. (=7364002824) / PRISE US 125VAC (=7364002824)	
9	4060700	1	CIRCUIT BREAKER COVER / COUVERCLE COUPE CIRCUIT	
10	4460071	1	CONNECTOR, WATER TIGHT / PRESSE ETOUPE	B
11	4460346	1	CIRCUIT BREAKER KIT / KIT COUPE CIRCUIT	
12	270002	0.2	WIRE 2 mm ² Y/G (qty indicated in meter) / FIL 2 mm ² V/J (qté indiquée en mètre)	B
13	AU1716	1	PLATFORM SOCKET DECAL / AUTOCOLLANT PRISE PANIER	

SECTION 10 - OPTIONS / OPTIONS

FIGURE 10-7. INSTALL,PLATFORM OBSTACLE DETECTION / INSTALLATION DETECTION OBSTACLE



ART_1001224477

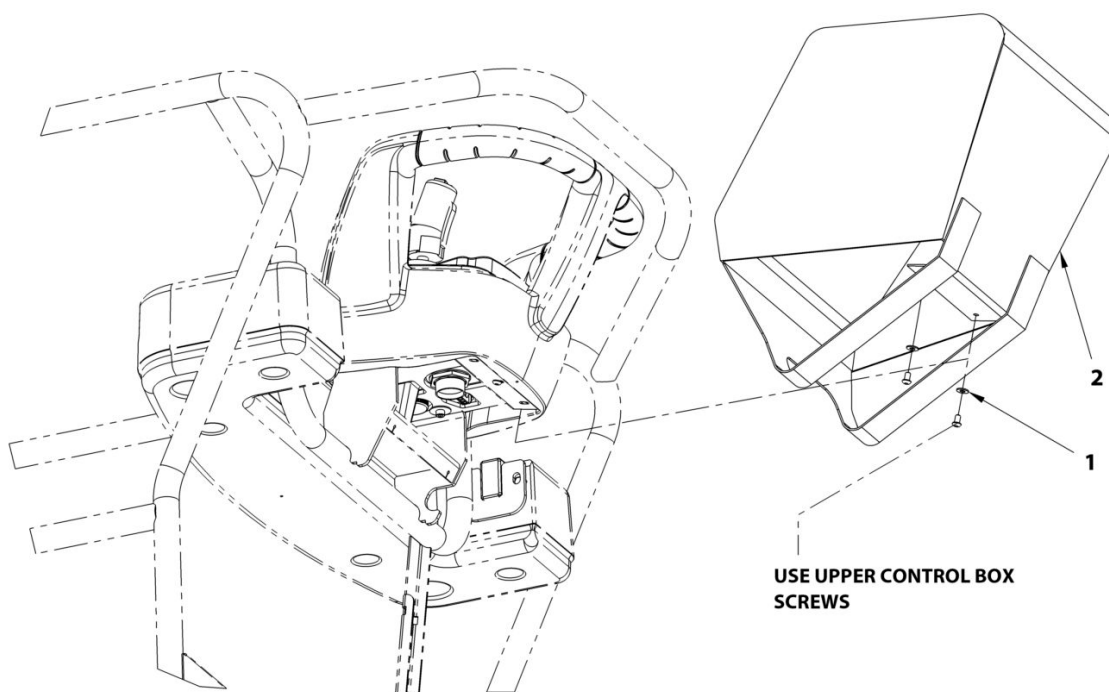
SECTION 10 - OPTIONS / OPTIONS

FIGURE 10-7. INSTALL,PLATFORM OBSTACLE DETECTION / INSTALLATION DETECTION OBSTACLE

ITEM	PART NUMBER	QTY	DESCRIPTION	REV
	1001224477		INSTALL,PLATFORM OBSTACLE DETECTION / INSTALLATION DETECTION OBSTACLE	C
1	000003	4	M05x16 8.8 SOCKET HEAD MACH SCREW / VIS CHC M5x16 8.8 BI FT	
4	000085	2	M04x16 8.8 SOCKET HEAD MACH SCREW / VIS CHC M4x16 8.8 BI FT	
5	110002	2	M05 GR. 8.8 LOCK NUT / ECROU FREIN M5	
7	120002	2	M05 WASHER / RONDELLE M5	
9	120024	2	LOCK WASHER D04x10 / RONDELLE FREIN D4x10	
10	000090	2	M04x08 8.8 SOCKET HEAD MACH SCREW / VIS CHC M4x08 8.8 BI FT	
11	260339	1	SENSOR,2D LASER SCANNER / SCANNER LASER 2D	
14	260341	1	SENSOR,ULTRASONIC / DETECTEUR ULTRASON	
16	400087	5	INSULATION PIPE D30 INT. LENGTHH 1m / TUBE ISOLATION D30, LONGUEUR 1m	
17	1001229970	1	SUPPORT,OBSTACLE DETECTION / SUPPORT DECTECTION OBSTACLE	
18	1001227893	1	HARNESS,OBSTACLE DETECTION / FAISCEAU DECTECTION OBSTACLE	
19	PC0619	1	HARNESS,ULTRASONIC SENSOR / FAISCEAU DETECTEUR ULTRASON	
20	PC0618	1	HARNESS,LASER SENSOR / FAISCEAU DETECTEUR LASER	
22	1001229972	1	SUPPORT,OBSTACLE DETECTION / SUPPORT DECTECTION OBSTACLE	
23	1001229971	1	PLATE,LASER SENSOR PROTECTION / TOLE PROTECTION LASER	
24	110001	2	M04 GR. 8.8 LOCK NUT / ECROU FREIN M4	
25	110003	6	M06 GR. 8.8 LOCK NUT / ECROU FREIN M6	
26	000005	6	M06x20 8.8 SOCKET HEAD MACH SCREW / VIS CHC M6x20 8.8 BI FT	
27	000089	1	M05x08 8.8 SOCKET HEAD MACH SCREW / VIS CHC M5x08 8.8 BI FT	
28	120030	4	LOCK WASHER D06x12 / RONDELLE FREIN D6x12	
29	1001229973	1	SUPPORT,OBSTACLE DETECTION / SUPPORT DECTECTION OBSTACLE	
30	1001233658	1	PLATE,CLAMPING RING PART / DEMI COQUILLE SERRAGE	
31	1001233659	1	PLATE,JIB SENSOR CAM / CAME CAPTEUR BRAS	
32	000067	2	M05x12 8.8 SOCKET HEAD MACH SCREW / VIS CHC M5x12 8.8 BI FT	
33	4000007	1	SENSOR,PROXIMITY / DETECTEUR DE PROXIMITE	
34	1001233657	1	PLATE,SUPPORT SENSOR / TOLE SUPPORT DETECTEUR	
35	4460465	7	TERMINAL,DEUTSCH #16/#18 SOCKET / CONTACT DEUTSCH DT FEMELLE	
36	4460539	1	TERMINAL,3 PIN MALE / CONNECTEUR DEUTSCH DT 3P MALE	
37	4460884	1	PLUG,4-PIN CONNECTOR / CONNECTEUR DEUTSCH DT 4P MALE	

SECTION 10 - OPTIONS / OPTIONS

FIGURE 10-8. UCB PROTECTION INSTALL / INSTALLATION PROTECTION BOITIER HAUT



ART_1001214774

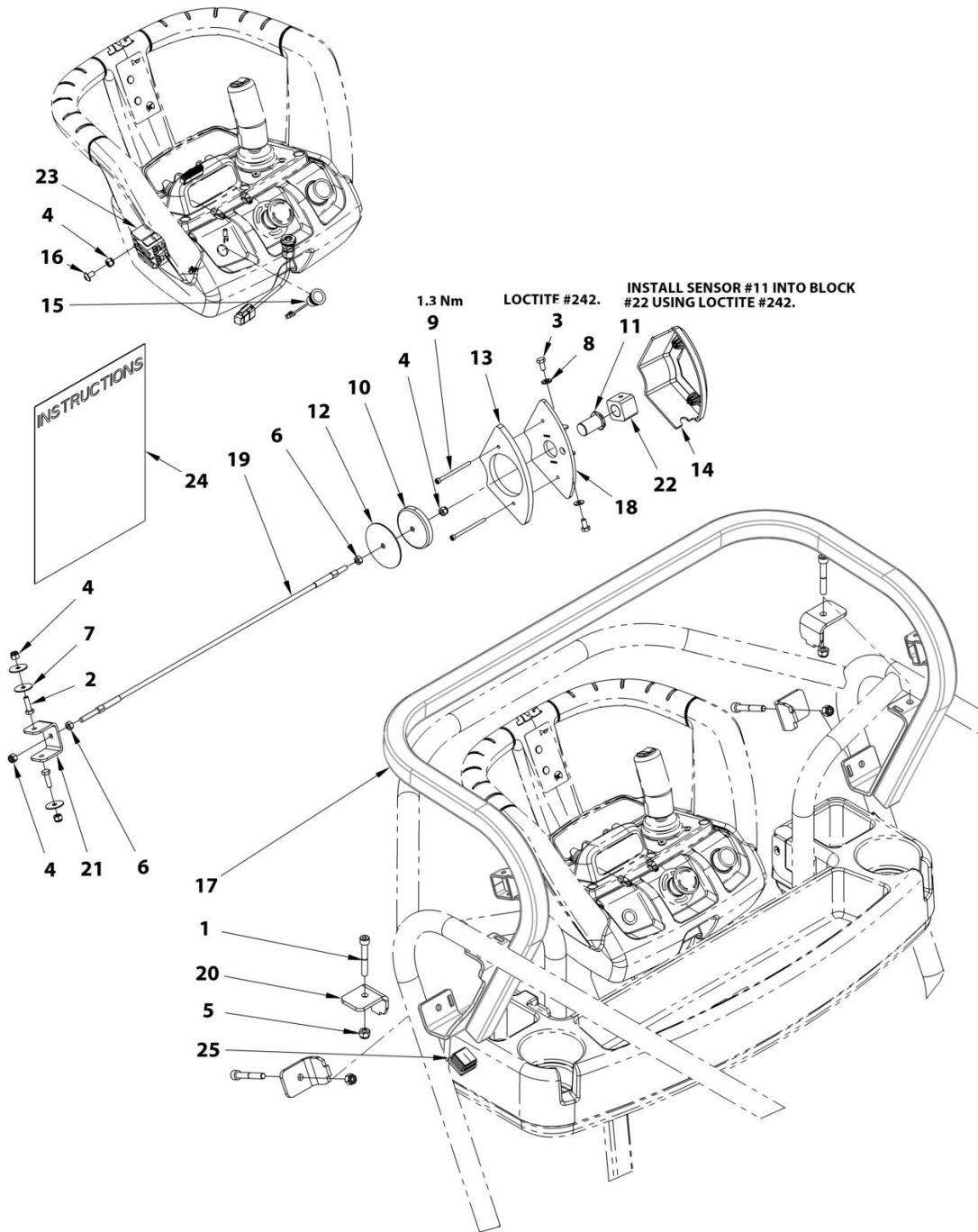
SECTION 10 - OPTIONS / OPTIONS

FIGURE 10-8. UCB PROTECTION INSTALL / INSTALLATION PROTECTION BOITIER HAUT

ITEM	PART NUMBER	QTY	DESCRIPTION	REV
	1001214774	Ref	UCB PROTECTION INSTALL / INSTALLATION PROTECTION BOITIER HAUT	A
1	120009	1	LOCK WASHER D06x14 / RONDELLE FREIN D06x14	
2	1001214777	2	UCB PROTECTION / PROTECTION BOITIER HAUT	

SECTION 10 - OPTIONS / OPTIONS

FIGURE 10-9. SKYLINE INSTALL / INSTALLATION SKYLINE



ART_1001256077

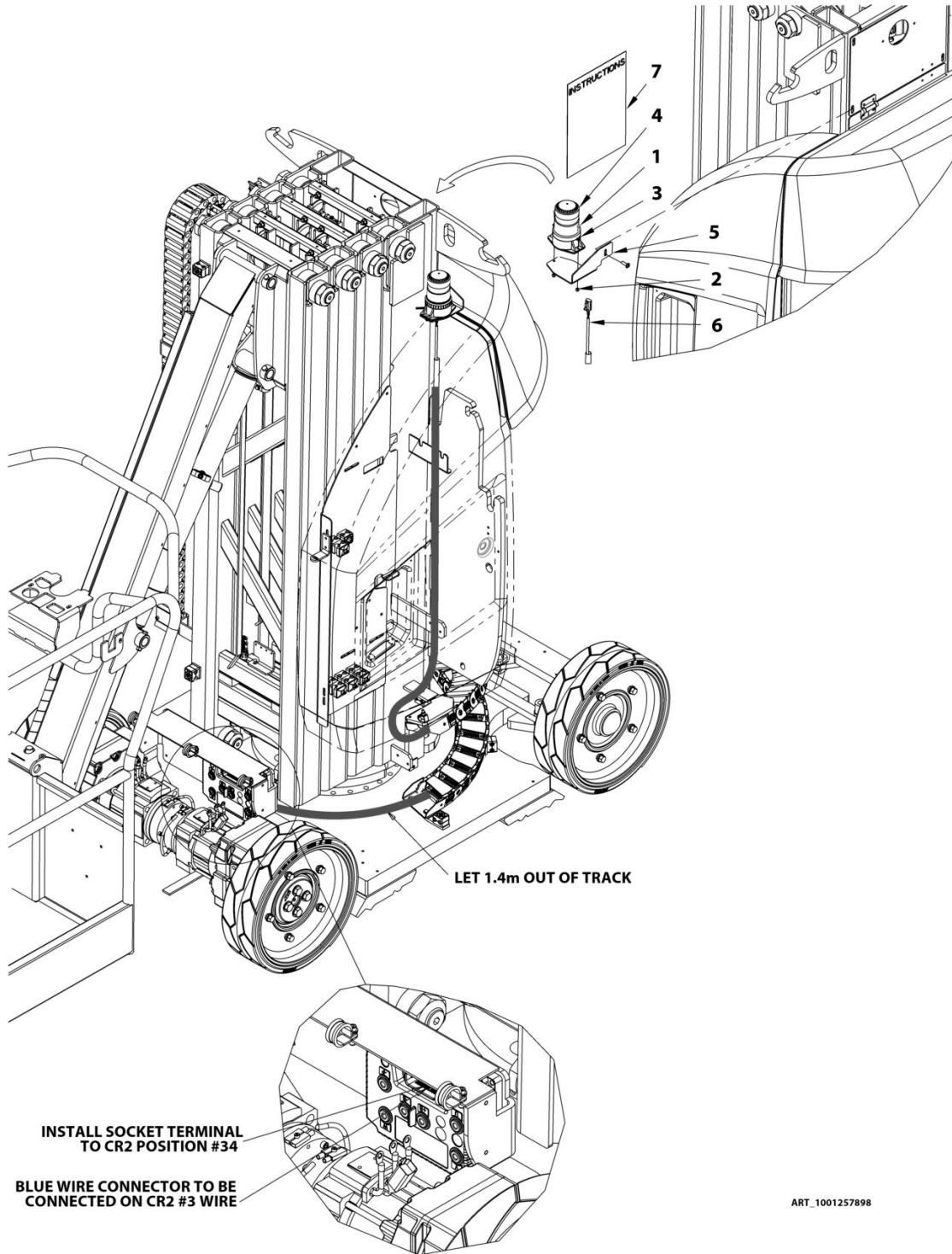
SECTION 10 - OPTIONS / OPTIONS

FIGURE 10-9. SKYLINE INSTALL / INSTALLATION SKYLINE

ITEM	PART NUMBER	QTY	DESCRIPTION	REV
	1001256077		SKYLINE INSTALL / INSTALLATION SKYLINE	A
1	000078	4	M08x55 8.8 SOCKET HEAD CAPSCREW / VIS CHC M08x55 8.8 BI FP	
2	100005	2	M06x20 8.8 HEX HEAD MACHINE SCREW / VIS H M06x20 8.8 BI FT	
3	100027	2	M06x12 8.8 HEX HEAD MACHINE SCREW / VIS H M06x12 8.8 BI FT	
4	110003	5	M06 GR. 8.8 LOCK NUT / ECROU FREIN M6 CL08 BI	
5	110004	4	M08 GR. 8.8 LOCK NUT / ECROU FREIN M8 CL08 BI	
6	110015	2	M06 GR. 8.8 HEX NUT / ECROU M6 CL08 BI	
7	120004	3	dD 06x25x1.2 WASHER / RONDELLE dD 6x25x1.2 BI	
8	120009	2	LOCK WASHER D06x14 / RONDELLE CONTACT dD 06x14 BI	
9	4031516	2	M04x60 8.8 SOCKET HEAD CAPSCREW / VIS CHC M04x60 8.8 BI FP	
10	1001232650	1	MAGNET,50LBS PULL FORCE / AIMANT 22KG	
11	1001232667	1	SENSOR ASSEMBLY,PROXIMITY / FAISCEAU CAPTEUR PROXIMITE	
12	1001235013	1	WASHER-SPEC,2.625 OD / RONDELLE SPECIALE D66.5mm	
13	1001238477	1	HOUSING,SKYLINE LEFT / PROTECTION GAUCHE SKYLINE	
14	1001241965	1	HOUSING,SKYLINE RIGHT / CAISSON DROIT SKYLINE	
15	1001255627	1	ELEC ASSY,PUSH BUTTON / FAISCEAU BOUTON POUSSOIR	
16	1001256013	1	SCREW RD HD MACH,M6X10 / VIS TETE RONDE M06x10	
17	1001256078	1	SUPPORT,SKYLINE / SUPPORT SKYLINE	
18	1001256255	1	MOUNT,SKYLINE MAGNET / TOLE MONTAGE AIMANT	
19	1001256342	1	ROPE,SKYLINE ASSEMBLY / CABLE SKYLINE	
20	1001256344	4	BRACKET,LOCK / BRIDE SKYLINE	
21	1001256346	1	PLATE,HINGE SKYLINE / CHAPE SKYLINE	
22	1001256347	1	BLOCK,SKYLINE / PAVE SKYLINE	
23	1001256645	1	HARNES,SKYLINE / FAISCEAU SKYLINE	
24	1001257047	1	SPEC, SKYLINE INSTALL PROCEDURE / FICHE TECHNIQUE SKYLINE	
25	400099	2	CAP,TUBE / BOUCHON TUBE	

SECTION 10 - OPTIONS / OPTIONS

FIGURE 10-10. SKYLINE BEACON INSTALL / INSTALLATION FEU BLEU SKYLINE



SECTION 10 - OPTIONS / OPTIONS

FIGURE 10-10. SKYLINE BEACON INSTALL / INSTALLATION FEU BLEU SKYLINE

ITEM	PART NUMBER	QTY	DESCRIPTION	REV
	1001257898		SKYLINE BEACON INSTALL / INSTALLATION FEU BLEU SKYLINE	
1	000085	2	M04x16 8.8 SOCKET HEAD MACH SCREW / VIS CHC M04x16 8.8 BI FT	
2	110001	2	M04 GR. 8.8 LOCK NUT / ECROU FREIN M4 CL08 BI	
3	120024	2	LOCK WASHER D04x10 / RONDELLE CONTACT M4 BI	
4	1001200910	1	LAMP,BLUE BEACON / FEU BLEU	
5	1001257866	1	BRACKET,BLUE BEACON / SUPPORT FEU BLEU	
6	1001257900	1	HARNESS,SKYLINE BEACON / FAISCEAU FEU BLEU	
7	1001257901	1	SPEC,SKYLINE BEACON PROCEDURE / PROCEDURE MONTAGE FEU BLEU	

**SECTION 11 - RECOMMENDED PARTS LIST / LISTE DE PIÈCES
RECOMMANDÉES**

**SECTION 11 - RECOMMENDED PARTS LIST / LISTE DE PIÈCES
RECOMMANDÉES**

SECTION 11 - RECOMMENDED PARTS LIST / LISTE DE PIECES RECOMMANDEES

FIGURE 11-1. RECOMMENDED PARTS LIST / LISTE DE PIECES RECOMMANDEES

ITEM	PART NUMBER	QTY	DESCRIPTION	REV
	Note	Ref	The following list will service one Machine with emergency repair parts which can be installed in the field. Parts from the list should be replaced when inventory is depleted to keep service parts stock supplied. For further information, contact your JLG Industries Parts Department. / La liste suivante indique (pour une Machine) les pièces de réparation d'urgence qui peuvent être installées sur le terrain. La quantité de pièces de cette liste doit être tenue en stock minimum. Pour de plus amples informations, contactez votre SAV JLG Industries.	
		Ref	STANDARD PARTS / PIECES STANDARD	
	310103	1	BREATHER CAP / BOUCHON-RENIFLARD	
	3740150	1	RELAY, 24VDC/100A / RELAIS, 24VDC/100A	
	2860030	1	KEY (INCLUDED IN ITEM 4360469) / CLE (COMPRISE DANS REF 4360469)	
	1001091989	1	MEMBRANE SWITCHES / INTERUPTEURS A MEMBRANE	
	260079	1	325A FUSE / FUSIBLE 325A	
	930134	1	FILTER, CARTRIDGE,10µm / ELEMENT FILTRANT 10µm	
	7027367	1	SWITCH ENABLER / CONTACT VALIDATION	
	4360562	1	COMPLETE KNOB / ARRET D'URGENCE COMPLET	
	1001115919	1	SWITCH, PUSH BUTTON-ENABLE / B P DE VALIDATION	
	240056	1	NO CONTACT BASE / EMBASE CONTACT NO	
		Ref	VARIABLE PARTS / AUTRE PIECES	
	SE1202	1	KIT-DECAL&PLATE&SEAL - LCB / KIT AU&PLATINE&JOINT BOITIER BAS (Prior to SN A300040347)	
	1001223812	1	KIT-DECAL&PLATE&SEAL - LCB / KIT AU&PLATINE&JOINT BOITIER BAS (SN A300040347 to Present)	
	260323	2	NO/NC SWITCH PG11 / CAPTEUR NO/NC PE11	
	1001213835	1	SENSOR,TILT 2.4° / DETECTEUR DE DEVERS 2.4°	
	4000008	1	SENSOR,PROXIMITY ASSEMBLY / FAISCEAU DETECTEUR DE PROXIMITE	
	260326	3	NC/NO SWITCH PG13 / CAPTEUR NO/NF PE13	
	260327	2	NO/NC SWITCH PG11 / CAPTEUR NO/NF PE11	
	PC0468	1	HARNESS, LOAD SENSING SWITCH / FAISCEAU CAPTEUR DE SURCHARGE	
	4360505	1	ROTARY ANGLE SENSOR / CAPTEUR D'ANGLE	
	130064	4	D8 FAST-LEAD THREAD SCREW / VIS D8 PAS RAPIDE TETE LARGE	
	1001109503	1	GAUGE,INDICATOR / AFFICHEUR MULTIFONCTION	
	4360469	1	3 POSITION KEY SELECTOR / SELECTEUR A CLE 3 POSITIONS	
	1600458	1	JOYSTICK / JOYSTICK	
	1001100421	1	JOYSTICK SINGLE AXIS / JOYSTICK 1 AXE	
	1001109239	1	P/C BOARD WITH SOFTWARE / CARTE BOITIER HAUT RPROGRAMMEE	
	260318	2	CONTROLLER,COMBI-ACO / VARIATEUR COMBI-ACO (Prior to SN A300057654)	
	1001241322	1	CONTROLLER,COMBI-ACO / VARIATEUR COMBI-ACO (SN A300057654 to Present)	
	952099	6	COIL,24VDC_3012599,HYDAC / BOBINE 24VDC_3012599,HYDAC	

**SECTION 11 - RECOMMENDED PARTS LIST / LISTE DE PIÈCES
RECOMMANDÉES**

ITEM	PART NUMBER	QTY	DESCRIPTION	REV
	952101	1	COIL,24VADC_3110057,HYDAC / BOBINE 24VADC_3110057,HYDAC	

**SECTION 11 - RECOMMENDED PARTS LIST / LISTE DE PIÈCES
RECOMMANDÉES**

PART NUMBER INDEX

SECTION 11 - RECOMMENDED PARTS LIST / LISTE DE PIECES RECOMMANDEES

000003.....100, 125, 127, 129	1001155354 57	1001217094 108	1001226415..... 110
000005..31, 66, 123, 125, 129	1001155460 57	1001219323 108	1001227848..... 108, 109
000006.....51	1001155462 57	1001220461 106	1001227893..... 129
000007.....100	1001157657 57	1001220462 106	1001227894..... 27
000008.....15, 55, 66, 77	1001173703 113	1001220619 40	1001228600..... 106
000010.....11, 121, 125	1001181045 123, 125	1001220620 40	1001228601..... 106
00001410, 11, 27, 31, 51, 53, 74, 97, 117	1001187631 31	1001222935 77, 79	1001228973..... 106
000015.....27, 31, 66, 97	1001192401 90	1001222936 74, 85	1001229970..... 129
000016.....66, 119	1001200910 135	1001222937 77	1001229971..... 129
000017.....15, 66, 121	1001208677 55, 57	1001223601 77	1001229972..... 129
000018.....10	1001208678 57	1001223605 31	1001229973..... 129
000026.....67, 77	1001208856 57	1001223609 27	1001231801..... 110
000030.....67	1001208857 57	1001223677 109	1001232650..... 133
000050.....100	1001209934 55	1001223678 109	1001232667..... 133
000051.....66	1001210910 11	1001223679 109	1001233406..... 21, 23
000059.....74	1001210948 31	1001223680 109	1001233657..... 129
000067.10, 100, 121, 129	1001211321 77	1001223681 106	1001233658..... 129
000069.....121	1001211358 16	1001223682 106	1001233659..... 129
000077.....15, 67	1001211404 40	1001223683 107	1001234782..... 61
000078.....133	1001211405 10	1001223684 107	1001234952..... 61
000085.....123, 129, 135	1001211406 31	1001223685 107	1001235013..... 133
000089.....125, 129	1001211407 51	1001223686 107	1001237382..... 74
000090.....51, 53, 129	1001211408 66	1001223687 107	1001238477..... 133
0140011.....57	1001211409 74	1001223688 108	1001239552..... 33, 35
0630580.....16	1001211410 27	1001223689 16	1001239741..... 67
0641406.....55	1001211411 108	1001223713 77	1001239742..... 67
100004.....66	1001211412 106	1001223810 31, 35	1001241322..... 15, 138
100005.....133	1001211413 89	1001223811 35	1001241965..... 133
100007.....27	1001211414 97	1001223812 35, 138	1001245202..... 15, 23
100009.....15	1001211415 97	1001223845 106	1001245244..... 108, 109
100012.....77	1001211416 119	1001223846 106	1001246577..... 23
100013.15, 27, 43, 45, 53	1001211417 28	1001223847 107	1001246578..... 23
100016.....27	1001211418 106	1001223848 107	1001248510..... 67
100021.....11	1001211419 106	1001223849 107	1001248511..... 67
100027....10, 66, 74, 133	1001211420 49	1001223850 107	1001248513..... 67
100033.....28	1001213033 97	1001223851 107	1001248814..... 10
100038.....27	1001213144 28	1001223852 108	1001248815..... 10
100049.....74	1001213145 28	1001223853 106, 107	1001255627..... 133
100053.....15	1001213196 53	1001223854 106, 107, 108	1001256013..... 133
100054.....49, 51, 53	1001213260 53	1001223855 107	1001256077..... 133
100063.....40	1001213632 16	1001223856 107	1001256078..... 133
100098.....16	1001213729 89	1001223863 106, 107, 108	1001256255..... 133
100102.....15	1001213835.. 16, 92, 138	1001223864 107, 108	1001256342..... 133
100103.....15, 27	1001213899 89, 95	1001223892 27	1001256344..... 133
100104.....16	1001213902 95	1001223897 77	1001256346..... 133
1001091989.....57, 138	1001213903 95	1001223898 77	1001256645..... 133
1001100421.....138	1001213904 95	1001223933 107	1001257047..... 133
1001102189.....19	1001213905 95	1001223934 107	1001257866..... 135
1001102349.....19	1001213970 89	1001223935 107	1001257898..... 135
1001102351.....19	1001213985 97	1001223936 107	1001257900..... 135
1001102353.....19	1001213986 97	1001223937 107	1001257901..... 135
1001102354.....19	1001214032 113	1001223938 108	1001258232..... 53, 66
1001109239.....138	1001214284 106	1001224025 110	1001263939..... 53
1001109503...33, 35, 138	1001214285 106	1001224064 106	100156..... 77
1001111752.....27	1001214286 106	1001224477 129	1060688..... 97
1001114466.....16	1001214287 106	1001225133 85	1060689..... 97
1001115919.....57, 138	1001214288 108, 110	1001225157 85	110001.10, 123, 129, 135
1001117177.....57	1001214774 131	1001225159 85	110002....10, 11, 66, 100, 125, 127, 129
1001152692.....57	1001214777 131	1001225530 74	11000310, 15, 43, 45, 51, 53, 66, 74, 77, 117, 119, 123, 125, 129, 133
1001154560.....57	1001214847 53	1001225624 77	
1001155328.....57	1001215691 79	1001225702 40	
	1001216209 40	1001226413 109, 110	
	1001216210 74		
	1001216725 74		

SECTION 11 - RECOMMENDED PARTS LIST / LISTE DE PIÈCES RECOMMANDEES

110004 10, 27, 40, 51, 133	1600458 57, 138	260146 121	4060700 127
110005 16	170008 40	260187 123	4220309 53
110008 15	1701499 108, 109	260213 125	4240147 16
110009 40	1702631 109, 110	260214 123	4340871 57
110010 40	1703632 109, 110	260240 33, 35	4360469 33, 35, 138
110015 74, 133	1703633 109, 110	260243 33, 35	4360505 91, 100, 138
110017 27	1703785 109	260258 125	4360562 57, 138
110019 40	1703811 108, 109	260274 92	4420051 108
110020 40	1703814 108, 109	260275 91	4460071 127
110022 51, 53	1704016 108, 109	260276 127	4460346 127
110026 10, 27	1704023 110	260318 15, 138	4460464 ... 89, 90, 91, 92
110040 10	1704031 109, 110	260321 91	4460465 ... 89, 90, 91, 92, 129
110041 66, 74	1704277 108, 109	260323 92, 138	4460496 57
110042 74	1704885 109	260326 91, 138	4460497 57
120002 66, 100, 125, 127, 129	1705781 106	260327 91, 138	4460536 90, 91, 92
120003 49	1705803 108	260329 92	4460539 89, 90, 129
120004 ... 11, 55, 74, 133	1706493 108, 109	260339 129	4460754 91
120006 40	1706740 108, 109	260341 129	4460871 89
120009 10, 11, 16, 27, 31, 51, 53, 66, 74, 97, 117, 119, 123, 125, 131, 133	1706764 108	270002 123, 125, 127	4460873 89
120010 10, 40, 74	1706898 57	270031 121	4460884 90, 91, 129
120011 77	180003 16	270059 90	4460891 89, 90
120016 77	180009 10	2780266 15, 19	4460894 89, 92
120017 40	190027 27, 77	280023 51	4460897 89, 91, 92
120024 . 51, 53, 100, 123, 129, 135	190072 10	2860030 33, 35, 138	4460899 90, 91
120030 77, 129	190074 10	300001 15	4460917 91, 92
120033 31	190077 74	300025 77, 79	4460928 89, 90
120036 40	2080040 53	300034 79, 83	4460930 89
120043 121	210011 123	300037 77	4460931 89
120054 11, 15, 27	210012 123, 125	300040 79	4460932 90, 91
120055 16, 28	210018 91, 92	300044 77	4460933 89
120056 10, 100	210019 123	300047 79	4460943 90
120057 10	210021 123, 125	300061 74, 85	4460944 89, 91
120058 123	210059 91	300101 79	4460970 90
120059 125, 127	210066 125	300161 119	4461076 91
120060 31, 123, 125	230016 127	300172 27	4461077 90
130007 66	2400060 90	310091 79	4740468 19
130021 10	240056 57, 138	310103 79, 138	4751400 55
130029 49	240057 33, 35, 57	310109 77	4761400 55
130059 33, 35	240058 57	320067 27	500021 27
130062 10, 31, 57	240060 33, 35, 57	3300423 19	510086 15, 21, 92
130064 10, 138	240076 33, 35, 57	3340962 53	510094 97
130066 74	240093 123, 125	3450406 19	520115 74, 81
1321293 66, 100, 121, 125, 127	250001 121	3575796 57	520116 74
140009 27, 40	250026 89, 121	3740150 31, 138	70000084 57
140014 74	250027 121	3820019 57	70000682 57
140024 74	250031 31, 97	3900357 57	7027365 57
150002 40	250060 90	3900358 57	7027367 57, 138
150004 15	250071 125	3900359 57	7027765 57
150007 45	250084 89, 121	4000007 91, 129	7027766 57
150011 43	250089 123	4000008 91, 100, 138	8229242 90
150019 16	250090 125, 127	400010 66	8990147 51, 53
150058 16	250091 90, 123, 125	400012 66, 74	920002 66
150059 15	250135 123, 125	400018 66, 119	920008 66
150061 49	250172 121	400037 66, 74	920042 66
1580012 55	250211 97	400046 66	920045 66
160010 100	250213 97	400047 66	920046 66
160018 74	250227 89	400048 51, 61	920052 66
160031 27	250230 92	400057 10	920073 66
160033 49	260006 121	400077 27, 121	930109 27
	260007 121	400087 129	930134 79, 138
	2600281 53	400092 66	930135 79
	260029 123	400096 66	930136 79
	260077 31	400097 27	930137 83
	260079 31, 138	400099 53, 133	930138 79
	260144 121	4031516 133	

SECTION 11 - RECOMMENDED PARTS LIST / LISTE DE PIECES RECOMMANDEES

951034.....79	AU2149..... 109, 110	PC0618..... 129	ST3216.....67
951035.....21	AU2150..... 109, 110	PC0619..... 129	ST3219.....67
951036.....21, 23	AU2152..... 110	SA0001..... 15	ST3226.....100
951037.....21, 23	AU2154..... 110	SA0002..... 15	ST3227.....100
951038.....21, 23	AU2155..... 110	SA0003..... 27	ST3231.....74
951039.....21, 23	AU2207..... 33	SA0004..... 27	ST3234.....51, 53
951040.....21, 23	AU2215..... 75, 108, 110	SA0009..... 16	ST3235..... 11
951041.....21, 23	AU2228..... 31	SA0012..... 100	ST3246.....27
951043.....21	AU2229..... 108, 109	SA0020..... 55	ST3312.....58
952094.....79	DF0269..... 71	SA0021..... 11	ST3315..... 10
952095.....79	DF0710..... 71	SA0026..... 123	ST3316..... 10
952096.....79	DF0975..... 71	SA0027..... 123	ST3318.....77
952097.....79	DF0976..... 71	SA0028..... 125	ST3332..... 15
952098.....79	DF0977..... 71	SA0037..... 127	ST3333.....40
952099.....79, 81, 83, 85, 138	DF0978..... 119	SA0144..... 16	ST3598..... 11
952100.....79	DL0818..... 40	SD0345..... 100	ST3696..... 11
952101.....79, 139	DL0819..... 15	SD0452..... 45	ST3697..... 11
952102.....81, 83	DL0824..... 40	SD0453..... 43	ST3700.....27
952103.....83	DL0828..... 66	SD0464..... 100	ST3703.....74
952104.....81	DL0837..... 27	SE0730..... 40, 43	ST3774.....31
952105.....83	DL0838..... 27	SE0731..... 40, 45	ST3775.....33, 35
952106.....81	DL0911..... 74	SE1139..... 100	ST3776.....97
952107.....81, 83, 85	DL0918..... 49	SE1140..... 100	ST3778.....97
952108.....79	DL0919..... 51	SE1141..... 100	ST3780.....74
952157.....83	DL0921..... 16	SE1200..... 31, 33	ST3781.....67
960097.....40	DL0923..... 40	SE1202..... 33, 138	ST3790..... 10
960098.....40	DL0924..... 40	SE1204..... 74	ST3841..... 11
960099.....15	DL0934..... 28	SE1214..... 40	ST3856..... 10
970065.....79	DL0935..... 40	ST0099..... 40	US0026.....40
AU0149..... 108, 109	DL0936..... 40	ST0736..... 51	US0134..... 15
AU1423..... 108, 109	DL0937..... 10	ST0763..... 51	US0190..... 16, 27
AU1716..... 123, 125, 127	FX158-014..... 121	ST0838..... 66	US0204.....100
AU1825.....106	KT0143..... 71	ST1326..... 66	US0208.....100
AU2095.....109	OP509..... 117	ST1328..... 66	US0216..... 15
AU2097..... 108, 109	OP521..... 121	ST1969..... 119	US0236.....51, 53
AU2098..... 108, 109	PA1138..... 106	ST2475..... 27	US0277.....74
AU2099..... 108, 109	PC0465..... 33, 35	ST2741..... 51, 53	US0375..... 45
AU2102.....106	PC0466..... 91, 117	ST3022..... 117	US0377.....43
AU2103.....108	PC0468..... 91, 100, 138	ST3114..... 10	US0475.....43
AU2105..... 108, 109	PC0469..... 91	ST3115..... 10	US0479..... 45
AU2107.....108	PC0470..... 91, 100	ST3155..... 33, 35	US0481..... 40
AU2108.....108	PC0479..... 95	ST3158..... 15	US0523..... 15
AU2109.....106	PC0480..... 95	ST3164..... 27	US0524.....27
AU2117.....109	PC0482..... 95	ST3169..... 27	US0527.....27
AU2118.....109	PC0483..... 95	ST3170..... 10	US0528..... 15
AU2119.....109	PC0484..... 95	ST3171..... 10	US0529..... 15
AU2122.....106	PC0488..... 90	ST3172..... 10	US0530..... 15
AU2140..... 110	PC0489..... 90	ST3173..... 10	US0531..... 15, 49
AU2143..... 110	PC0491..... 31, 92	ST3174..... 10	US0532..... 16
AU2144..... 110	PC0528..... 121	ST3175..... 10	US0537..... 40
AU2145..... 110	PC0534..... 11, 92	ST3176..... 10	US0538..... 40
AU2147..... 109, 110	PC0603..... 90	ST3177..... 10	US0603..... 49
	PC0606..... 58	ST3212..... 125	



31210230



An Oshkosh Corporation Company

Corporate Office
JLG Industries, Inc.
1 JLG Drive
McConnellsburg, PA 17233-9533 USA
☎ **(717) 485-5161 (Corporate)**
☎ **(877) 554-5438 (Customer Support)**
☎ **(717) 485-6417**

Visit our website for JLG Worldwide Locations.
www.jlg.com